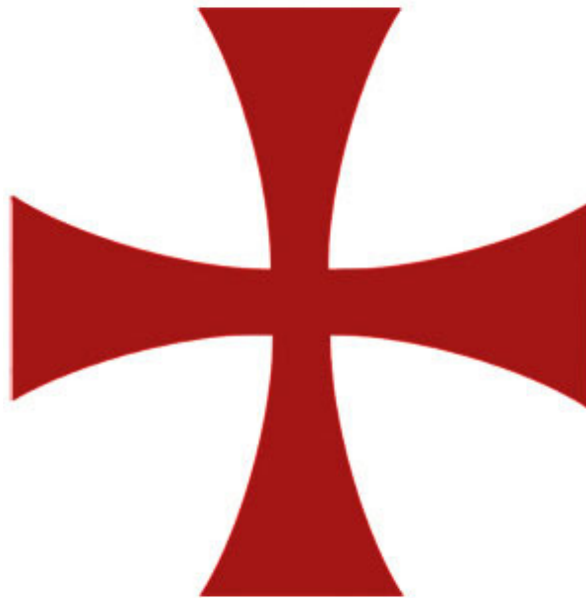


2083



A European Declaration of Independence

De Laude Novae Militiae
Pauperes commilitones Christi Templique Solomonici

By Andrew Berwick, London – 2011

Contents (active hyperlinks: CTRL + click to follow link)

Introduction

About the compendium - 2083.....	Feil! Bokmerke er ikke definert.
Distribution of the book	Feil! Bokmerke er ikke definert.
A message from the author/creator of the compendium	Feil! Bokmerke er ikke definert.
Introduction - What is "Political Correctness"?	Feil! Bokmerke er ikke definert.
How it all began - Political Correctness is Cultural Marxism.....	Feil! Bokmerke er ikke definert.
Cultural Marxist profiles	Feil! Bokmerke er ikke definert.
The Movement for Academic Reform.....	Feil! Bokmerke er ikke definert.
Political Correctness: Deconstruction and Literature	Feil! Bokmerke er ikke definert.
Radical Feminism and Political Correctness	Feil! Bokmerke er ikke definert.
Further Readings on the Frankfurt School.....	Feil! Bokmerke er ikke definert.
Additional works on the Frankfurt School	Feil! Bokmerke er ikke definert.

1. What you need to know, our falsified history and other forms of cultural Marxist/multiculturalist propaganda (Book 1)

History, Marxism and Islam – What your government, the academia and the media are hiding from you. Revisionism based on appeasement and anti-European thinking

1.1 Historical revisionism (negationism).....	46
1.2 General characteristics of European Islamic Negationism	51
1.3 The Failure of Western Universities	59
1.4 Review 1: Religion of Peace? Islam's war against the world - Islam 101	68
1.5 Al-Taqiyya – Religious/political deception.....	79
1.6 Naskh - Quranic abrogation	88
1.7 Review 2: Islam – What the West needs to know.....	110
1.8 European Slaves, Arab Masters	130
1.9 Hindu Kush, the largest Genocides in the history of man	139
1.10 Additional info - Hindu Kush	144
1.11 What the Crusades Were Really Like	145
1.12 The Crusades and today	148
1.13 The factors that led to the Crusades.....	151
1.14 Modern Aftermath of the Crusades	152
1.15 History of the Islamic Ottoman Turkish Empire I (1299-1876)	155
1.16 Jus Primae Noctis - Institutionalised rape of Christians under the Ottoman Empire.....	165
1.17 Jihadi Genocides of Christians in the Ottoman Empire and Turkey - The Armenian, Greek and Assyrian Genocides.....	167
1.18 Turkey: Back to the Future?.....	182
1.19 The fall of the Christian state of Lebanon	198
1.20 Battle of Poitiers (Battle of Tours) – First Islamic Wave – Year 732	227
1.21 Battle of Vienna – Second Islamic wave – Year 1683	243
1.22 European Crusader heroes, champions, legends	248
1.23 Western vs. Islamic Science and Religion	252
1.24 Historically - Bosnia is Serbian Land	261
1.25 Who are the "Bosniaks"?.....	264
1.26 Historical Islamic demographic warfare in Kosovo	271
1.27 Myths and Politics - Origin or the Myth of a Tolerant Pluralistic Islamic Society	274
1.28 Palestine for the Syrians?	282
1.29 Overview – Historical acts of high treason by European Governments.....	283
1.30 Further studies	285

2. Europe Burning (Book 2)

In this book we review and analyse Europe's current problems. We will also look at possible solutions

2.1 EU's Eurabia Project (The Eurabia Code) - Documenting EU's deliberate strategy to Islamise Europe.....	288
2.2 The Eurabia Code – 2008 Updates	316
2.3 Ten Reasons to Get Rid of the European Union	321
2.4 Why the EU Needs to be Destroyed, and Soon	330
2.5 Boycott the United Nations!	337
2.6 The European Court of Human Rights (ECtHR) in Strasbourg is a cultural Marxist controlled political entity.....	346
2.7 Waiting for Churchill or Godot?.....	347

The name of the devil: cultural Marxism, multiculturalism, globalism, feminism, emotionalism, suicidal humanism, egalitarianism - a recipe for disaster

2.8 The Failure of Western Feminism.....	351
2.9 How the Feminists' "War against Boys" Paved the Way for Islam	352
2.10 Feminism Leads to the Oppression of Women.....	361
2.11 What is the Cause of Low Birth Rates?.....	364
2.12 The Fatherless Civilisation	367
2.13 The Western European cultural Marxist/multiculturalist intellectual elite – who are they?	372
2.14 Labour wants mass immigration to engineer multicultural UK, says former Blair and Straw adviser.....	373
2.15 The outrageous truth slips out: Labour cynically plotted to transform the entire make-up of Britain without telling us ...	376
2.16 Why the discipline of Sociology must be completely removed from Academia	378
2.17 The psychology of cultural Marxists	381
2.18 Democracy and the Media Bias	384
2.19 a. The EUSSR/USASSR Media hegemony	388
2.20 Pro Muslim media strategies.....	393
2.21 Questions and polls your government and news agencies have disallowed	396
2.22 Dealing with journalists - authorising your own character assassination by the multiculturalist PC press.	397
2.23 Understanding the fundamentals behind multiculturalism; From Titans To Lemmings: The Suicide of Europe.....	398
2.24 Ignorance and Multiculturalism must be destroyed.....	408

Globalised capitalism – another reason for the Fall of Europe

2.25 Is Capitalism Always a Force for Freedom?.....	411
2.26 Big Business, a Driving Force behind Immigration	413
2.27 Migration has brought 'zero' economic benefit	415
2.28 What Does Muslim Immigration Cost Europe?.....	416

Modern Jihad

2.29 Current and recent Jihads in Asia and Africa.....	425
2.30 Overview of Jihadi terror attacks.....	431
2.31 Muslim Persecution of Christians	438
2.32 Christians in the Middle East	452
2.33 Fighting for their survival - A Christian Exodus from the Arab World.....	455
2.34 Converts in the Muslim world	461
2.35 Text book Jihad in Egypt.....	462
2.36 The Afghan-Bosnian Mujahideen Network in Europe	464
2.37 Justification of Muslim crime against non-Muslims.....	483

2.38 The Real Roots of Muslim Hatred	484
2.39 The ongoing Civil War in Europe – Muslims want autonomous territory, not better integration.....	487
2.40 Muslim atrocities committed against Western Europeans 1960-2010 (2020).....	489
2.41 Various forms of Jihad	491
2.42 The Islamisation process in European countries	496
2.43 Islamisation process of Western countries from 1% to 100%	501
2.44 List of Muslim demands for Sharia in Europe	505
2.45 Saudi Arabia – The serpents head	508
2.46 How many Muslims worldwide support militant Islam or Jihadi Salafism?	512
2.47 Europe's Wahhabi Lobby.....	513
2.48 Leaving Islam – interview with an ex-Muslim.....	515
2.49 Moderate Muslims and the Islamisation of Europe	524
2.50 Why We Cannot Rely on Moderate Muslims	528
2.51 Is Islam Compatible With Democracy?.....	537

Demography

2.52 Demography and the Islamisation of Europe	575
--	-----

Statistics

2.53 Statistics and the Islamisation of Europe.....	588
---	-----

Europe today

2.54 Europe’s Decline – Hurrah! We Capitulat!	596
2.55 Jihad Destroys the Swedish Model.....	597
2.56 Islamisation and Cowardice in Scandinavia	602
2.57 Our Offensive National Flag.....	606
2.58 Will Netherland Survive the 21st Century?	607
2.59 The Spanish and the Portuguese — Once and Future Dhimmis?	612
2.60 Collusion between British Government and Muslim Terrorists	615
2.61 Kosovo - Just another step in the Islamisation of Europe	620
2.62 The Norwegian Inquisition - Sunset in the Land of the Midnight Sun.....	622
2.63 The Anti-Racist Witch-Hunts.....	625
2.64 Discrimination and harassment against cultural conservatives	630
2.65 ANTIFA/Labour Jugend – State sponsored Marxist lynch mobs.....	631
2.66 The only English charity organisation is branded as racist while 215 Somali organizations are welcomed	637
2.67 How the diversity industry/ethnic industries/sub-cultures such as Hip-Hop in combination with unrestricted media rights contributes to destroy society	639
2.68 How the West Lost the Cold War	645
2.69 The Closing of Civilisation in Europe	652
2.70 Give the Nobel Peace Prize to Ayaan Hirsi Ali.....	654
2.71 Nobel Peace Prize Awarded for Appeasement of Jihad... again	655
2.72 Green is the new Red - Stop Enviro-Communism!	657

Effective communication and consolidation

2.73 Consolidating the moderate cultural conservative forces of Europe.....	660
2.74 Organisational strategy for phase 1; Better communication and cooperation among cultural conservative groups	663
2.75 Copying Marxist organisational strategies and networks – locally, nationally and internationally	667
2.76 Public opposition to Islamisation translated into success for political parties	670

2.77 Cultural conservative/nationalist rhetorical strategies	671
2.78 US and European nationalist rhetorical differences	677
2.79 Educating the European patriots who lacks ideological confidence	679
2.80 3 point guide to convert your right wing blog/site to a newspaper/magazine with national distribution	681

Because our survival depends on it

2.81 The Strategy of Western Survivalists	684
2.82 Christianity, Pros and Cons	685
2.83 The Church – Part of the Problem or Part of the Solution?	687
2.84 Thou Shalt Hate Christianity and Judaism	692
2.85 A future Christian identity for Europe?	695
2.86 Conflict avoidance and how to avoid it.....	699
2.87 “Western”, modern countries that never adopted multiculturalism - Japan, South Korea and Taiwan	704
2.88 Democracy not working	706
2.89 The Rape of Europe – emigration of indigenous Europeans?	707
2.90 Suggestions for the Future	709
2.91 What Do We Fight For?	717
2.92 Who Are We, Who Are Our Enemies - The Cost of Historical Amnesia	721
2.93 A European Declaration of Independence	728
2.94 Conservatives discussing future solutions for Europe	734
2.95 Islamisation of Europe – possible outcomes	735
2.96 From the death of Multiculturalism	735
2.97 Europe heading for Civil War	737
2.98 Are all European men weak minded cowards or are they just brainwashed?	743
2.99 The Self-Defeat of the United States	748
2.100 Continued discussion on US-European relations	749
2.101 Preserve or replace the European monarchies?	752
2.102 Not a war between capitalism and socialism but a cultural war between nationalism and internationalism	755
2.103 Democracy needs a Reformation	756
2.104 Future deportations of Muslims from Europe.....	764
2.105 Change of investment/education mentality in the coming decades	770
2.106 The ideological journey – from indoctrinated multiculturalist zealot to Conservative Revolutionary	772
2.107 Further studies	773

3. A Declaration of pre-emptive War (book 3)

LEGAL DISCLAIMER (for certain chapters in Book 2 and Book: 3. A Declaration of pre-emptive War):.....	777
---	-----

The Conservative Revolution - the only Solution for free Europeans

3.1 A phase of dialogue has come to an end (1955-1999)	779
3.2 Charges against all cultural Marxist/multiculturalist elites of Europe (category A and B traitors)	781
3.3 The European Resistance Movement/Indigenous Rights Movement – PCCTS, Knights Templar offer a full pardon to the Western European multiculturalist regimes, the MA 100 alliance (political parties) and all category A and B individual traitors if they capitulate to our military forces by January 1 st , 2020.....	795
3.4 Why armed resistance against the cultural Marxist/multiculturalist regimes of Western Europe is the only rational approach	802
3.5 A new era has come - the time for dialogue is now over	812
3.6 Explanation of the European Civil War - Phase 1, 2 and 3	813
3.7 There are four potential outcomes of Phase 2 and 3	813
3.8 Differentiating between and dealing with category A, B and C traitors: hardcore Marxists, cultural Marxists, suicidal humanists/career cynicists and capitalist globalists.....	814

3.9 Demands/requests/pleas to our National Military Commands	817
3.10 Assimilation policy/demands/offer for Muslim individuals living in Europe (this offer will expire on Jan 1 st , 2020)	819

A European Military Order re-emerges – In Praise of the New Knighthood

3.11 The history of Pauperes commilitones Christi Templique Solomonici (Knights Templar).....	822
3.12 Re-founding of Pauperes commilitones Christi Templique Solomonici – PCCTS, the Knights Templar.....	827
3.13 Founding principles of the Order/Tribunal	828
3.14 PCCTS, the Knights Templar ranks – Phase 1	829
3.15 What is a “Justiciar Knight” and how do I attain the rank?	830
3.16 PCCTS - Purpose and objectives of re-founding.....	832
3.17 Justiciar Knights tasks and requirements	836
3.18 “Open source” warfare - clandestine cell systems - the most efficient way of warfare in Phase 1.....	840
3.19 Cell structure - Cell Commander	841
3.20 PCCTS, Knights Templar - Organisational overview	842
3.21 7 Deadly mistakes to be avoided	845
3.22 Using terror as a method for waking up the masses – many of our people will hate us for it.....	846
3.23 The cruel nature of our operations	847
3.24 Principle of Proportionality	848

Planning the operation

3.25 Funding your operation.....	849
3.26 Avoiding suspicion from relatives, neighbours and friends	851
3.27 Avoid ending up on watch lists	853
3.28 Anti-monitoring routines.....	853
3.29 How to stay motivated for longer periods – perform a daily mental check	855
3.30 Diversify risk by dividing the operation into 4 phases	860
3.31 Equipment – weapons/ammo/armour etc.....	861
3.32 Armour Phase – KT guide to ballistic armour	864
3.33 Related tactical equipment and miscellaneous	890
3.34 Weapons phase	897
3.35 Physical training, packing gear and running simulations before the operation	901
3.36 Safe storage of equipment in remote caches (elimination of evidence)	911
3.37 Using foreign “black markets” when acquiring equipment.....	917
3.38 Services offered by European criminal syndicates/networks	919
3.39 Sending announcements before an operation	925
3.40 Applying deceptive means in urban guerrilla warfare	926
3.41 Western European primary targets (Phase 1)	930
3.42 Western European primary targets - Priority list	932
3.43 MA100 - political parties supporting Multiculturalism	933
3.44 Traitor – classification system - Category A, B and C traitors.....	939
3.45 Added or diminished emphasis on flagged targets.....	941
3.46 Killing women on the field of battle – directly or indirectly.....	942
3.47 Avoiding apprehension/arrest and death.....	943
3.48 Quick summary – overview of the planning and operational phases for your mission	944

Evaluating attack strategies: 1. Shock attacks, 2. Sabotage operations, 3. Manipulative proxy attacks

3.49 Conventional shock attacks (non-WMD).....	950
--	-----

3.50 Creation of a secondary strategy (plan b) in case of exposure	955
3.51 Defence and Attack Methods - Field Strategies	956
3.52 Fertilizer WMDs and arms bans.....	958
3.53 Obtaining and using WMD's against the cultural Marxist/multiculturalist elites	960
Sabotage operations.....	974
3.54 Sabotage operations - the most efficient ways to cripple the current Western European multiculturalist regimes.....	974
3.55 Creating chemical or biological weapons - easier than creating explosives.....	1019
3.56 Evaluating the possibilities for acquiring and employing nuclear weapons in phase 1	1028
3.57 Using European nuclear power plants as a weapon of mass destruction	1031
3.58 Nuclear power plant assault strategy: "Operation Regime Ender".....	1034
3.59 Radiological Dispersal Devices, RDDs; creating, deploying and detonating radiological bombs in Western European capitals	1062

Communication and Logistics

3.60 European resistance fighters and the importance of an appealing image and ideology - efficient marketing techniques	1069
3.61 After a successful operation - countering the misinformation campaign from the multiculturalist government - martyrdom or prison	1072
3.62 Grand Master Overseer - the Overseer Organisation	1074
3.63 Why bother with honouring fallen Martyrs and living Heroes of our struggle?.....	1079
3.64 Knights Templar orders, commendations, uniform, title, tombstone and relevant information.....	1080
3.65 Military awards and commendations - decorations of the Knights Templar (armed and civilian efforts)	1082
3.66 Knights Templar offer 19 different commendations	1093
3.67 Knights Templar uniform	1096
3.68 Knights Templar honorary tombstone	1102
3.69 Background information - symbolism of insignia.....	1104
3.70 Court/trial statements for Justiciar Knight and other patriotic resistance fighters after an operation	1107
3.71 Finding the right defence attorney/legal counsel for your trial.....	1115

Various topics

3.72 The PCCTS, Knights Templar Oath - Ordination Rite.....	1117
3.73 Future compensation arrangements for European members of the resistance movement	1122
3.74 Right of Revolution.....	1124
3.75 Non-violent resistance - civil disobedience/economical sabotage.....	1125
3.76 National Intelligence Agencies	1126
3.77 A request to the Police Forces (system protectors) of Western Europe	1129
3.78 "Young Europeans Movement - YE" movement - rumours of an emerging mass consolidation of anti-Marxist/anti-multiculturalist forces	1131
3.79 Various info.....	1132

European political solutions for the future

3.80 Reforming the European Church - from a diversified and un-appealing "Labour Church" to a united, strong and appealing "Traditional Church"	1134
3.81 The future of European Christendom	1140
3.82 Patriarchy will be re-implemented.....	1141
3.83 Re-creating the traditional patriarchal social structures.....	1148
3.84 Knights Templar and ethnocentrism	1154
3.85 The political significance of sex in a cultural conservative future	1172
3.86 Sexual ethics/sexual morality in Western Europe has been destroyed by cultural Marxism and liberalism.....	1173
3.87 Sexually transmitted disease (STD) epidemic in Western Europe as a result of cultural Marxism costing as much as 350 billion Euro annually	1176

3.88 Various topics relating to social structures	1179
3.89 Anti-feminist policies - Reviving the patriarchal model by deconstructing the Western European matriarchal systems..	1181
3.90 Preventing the European population decline – securing sustainability – future national reproduction policies	1183
3.91 Future democracy model and monoculturalism	1191
3.92 The rapid extinction of the Nordic genotypes	1192
3.93 Reprogenetics and the future	1196
3.94 Future economical model/public sector model/welfare program/economic zones/servant class	1198
3.95 Future Western European educational systems	1201
3.96 Alternative energy, scientific/technological evolution, overconsumption/ pollution/overpopulation,	1202
3.97 Future aid policy – Africa - The foreign cultural Marxist aid establishment and the harm it inflicts on Africa	1206
3.98 Future crime prevention, EF anthem, Independence Day, imperialism	1208
3.99 The destructive forces of the diversity/ethnic industries, comments and solutions	1209
3.100 Solutions for South Africa, Israel and the US	1212

Under construction – not edited

3.101 The cultural Marxist war against God and the Church in Western Europe leads to spiritually bankrupt countries lacking civilizational goals	1222
3.102 USA – a dying European Empire: lack of monoculturalism/ethnocentrism results in a breakdown of social cohesion – the objectives of the Conservative Revolutionary Movements	1224
3.103 The Fall of the EUSSR, the Rise of the new nationalist European World Order	1227
3.104 Pro-African nationalism: deportation and/or segregation is the most anti-racist approach	1233

Consolidating European conservative organisations

3.105 A new conservatism/nationalism - Vienna School of Thought	1236
3.106 Creating patriotic youth movements in phase 1	1239
3.107 Consolidating moderate (non-military) European cultural conservative organisations – phase 1 and 2	1244
3.108 Europe, Anti-immigration parties/orgs – Nationalist parties/orgs	1246
3.109 European protectorates.....	1251
3.110 Pan-European Movements	1253
3.111 National Anarchists (Anarcho-nationalists, certain ACAB-, oi-, RAC-, 14/88 nationalists)	1254
3.112 Estimating Western European battle-ready cultural conservatives 2009	1258
3.113 Assistance from our European-American/Canadian/Australian brothers in the European civil war	1260
3.114 Participation from conservative individuals among the minority groups – Hindus, Buddhists and Christians	1261
3.115 Defeating multiculturalism within the next 7 decades will involve the synchronised and combined efforts (unofficial) of 8 political fronts.....	1262
3.116 An official request/plead to all European patriots - Required administrative high priority tasks/objectives	1265
3.117 Using Facebook and other social networking sites as a platform to consolidate and grow the European resistance movement.....	1268
3.118 Online “recruiters” for patriotic armed resistance movements/8th front – a primary administrative tasks	1271
3.119 Teach your children the truth and do not allow them to be indoctrinated by cultural Marxist/multiculturalist propaganda	1272
3.120 Christian/nationalist consolidation and considerations in Muslim-dominated Western European prisons	1272

Western European Civil War Phase 2

3.121 From clandestine cells to more advanced military movements	1275
3.122 Objectives in Phase 2	1276
3.123 Creating a PCCTS/Knights Templar political wing.....	1277
3.124 A politically incorrect guide to the lynching of multiculturalist traitors (phase 2 and 3).....	1277
3.125 Investments and wealth protection in Europe during phase 2 and 3 – civil war, how to protect your wealth.....	1279
3.126 Building a cultural conservative paramilitary/militia organisation.....	1282

3.127 A full or partial pardon may be granted to many category A, B and C traitors in phase 2.....	1287
3.128 Preparation for Phase 3 (2070-2083) Coup d'état.....	1288
3.129 Recommendations for cultural conservative senior and junior military officers (phase 1, 2 and 3)	1290
3.130 The political landscape in W. Europe, 2070-2080, before the initiation of Phase 3	1292

Western European Civil War Phase 3

3.131 European Civil War, Phase 3, 2070-2083	1295
3.132 Predicted actions from other cultural Marxist/multiculturalist regimes	1296
3.133 The cultural/economical American Empire - dealing with a tyrant - why the Democratic and the Republican Party cannot be trusted	1298
3.134 Deportation policy (preventive measures)	1302
3.135 Economical/social impacts of mass deportations	1303
3.136 Recommendations for future cultural conservative/nationalist regimes when forming and developing government	1304
3.137 Cultural conservative/nationalist reforms during and after phase 3.....	1305
3.138 After the civil war – how to win the peace, creating a sustainable balance between conservatism and liberalism	1307
3.139 Distinguishing between cultural Christendom and religious Christendom – reforming our suicidal Church	1309
3.140 Creating a “European Federation”, economic, cultural and military alliance.....	1310
3.141 The negotiations between the European Federation and the USASSR/EUSSR block and Muslim countries in the phase 3 transition period (prior to deportations) and the outlook for the European Federation companies’ current investments in the Muslim world	1315
3.142 Future foreign policy – deportation and territorial claims	1317
3.143 Creating a New Europe and a new Middle East (see map).....	1318
3.144 European Federation military campaigns against Muslim Bosnia Herzegovina, Muslim Kosovo, Muslim Albania, Turkey, Syria (Lebanon), Jordan and Egypt.....	1322
3.145 Logistical, military and diplomatic issues in regards to deporting Muslims from Europe	1323
3.146 Evacuating Christians in the Middle East in regards to the new Christian nations.....	1324
3.147 Quick list suggestions – Future domestic and foreign policy	1325

Christian justification of the struggle

3.148 Pope Urban II and Pope Innocent III granted indulgence to all future Crusaders (martyrs of the Church).....	1326
3.149 The Bible and self-defence	1329
3.150 A Book for the Knights Templar: In Praise of the New Knighthood (Liber ad milites Templi: De laude novae militae) .	1336
3.151 There are no atheists in foxholes – preparing for martyrdom	1342
3.152 Justiciar Knights, Martyrdom vs. Suicide	1348
Further studies	1351
3.153 Interview with a Justiciar Knight Commander of the PCCTS, Knights Templar	1351
3.154 Knights Templar Log.....	1415

Further studies

3.155 Successful militant organisations - Case studies.....	1473
3.156 Failed European militant organisations - Case studies	1474
3.157 PCCTS, Knights Templar stance towards other liberation organisations	1474
3.158 The state of the Indian/Hindu resistance - Indian nationalists	1475
3.159 Failed coup in Turkey (2007) – Case study of the Ergenekon Network	1476
3.160 Fourth generation warfare.....	1478
3.161 The Study of Revolutions	1481

Glossary of Terms	1506
-------------------------	------

About the compendium - 2083

"The men the European public admires most extravagantly are the most daring liars; the men they detest most violently are those who try to tell them the truth."

You can see a movie presentation of the compendium by visiting the below links. It will not be available for a long period so consider taking a backup copy of it:

<http://www.youtube.com/watch?v=vQOfH8Dj1mw>
<http://www.veoh.com/watch/v21123164bZCBQeZ8>

After years of work the first edition of the compendium "2083 – A European Declaration of Independence" is completed. If you have received this book, you are either one of my former 7000 patriotic Facebook friends or you are the friend of one of my FB friends. If you are concerned about the future of Western Europe you will definitely find the information both interesting and highly relevant.

I have spent several years writing, researching and compiling the information and I have spent most of my hard earned funds in this process (in excess of 300 000 Euros). I do not want any compensation for it as it is a gift to you, as a fellow patriot.

Much of the information presented in this compendium (3 books) has been deliberately kept away from the European peoples by our governments and the politically correct mainstream media (MSM). More than 90% of the EU and national parliamentarians and more than 95% of journalists are supporters of European multiculturalism and therefore supporters of the ongoing Islamic colonisation of Europe; yet, they DO NOT have the permission of the European peoples to implement these doctrines.

The compendium, - "2083 – A European Declaration of Independence" - documents through more than 1000 pages that the fear of Islamisation is all but irrational.

It covers the following main topics:

1. The rise of cultural Marxism/multiculturalism in Western Europe
2. Why the Islamic colonization and Islamisation of Western Europe began
3. The current state of the Western European Resistance Movements (anti-Marxist/anti-Jihad movements)
4. Solutions for Western Europe and how we, the resistance, should move forward in the coming decades
5. + Covering all, highly relevant topics including solutions and strategies for all of the 8 different political fronts

The compendium/book presents advanced ideological, practical, tactical, organisational and rhetorical solutions and strategies for all patriotic-minded individuals/movements. The book will be of great interest to you whether you are a moderate or a more dedicated cultural conservative/nationalist.

Included are also demographical studies, historical statistics, forecasts and insights on various subjects related to the ongoing and future struggle of Europe. It covers most

topics related to historical events and aspects of past and current Islamic Imperialism, which is now removed or falsified by our academia by instruction of Western Europe's cultural relativist elites (cultural relativism=cultural Marxism). It offers thorough analysis of Islam, which is unknown to a majority of Europeans. It documents how the political doctrines known as multiculturalism/cultural Marxism/cultural relativism was created and implemented. Multiculturalists/cultural Marxists usually operate under the disguise of humanism. A majority are anti-nationalists and want to deconstruct European identity, traditions, culture and even nation states.

As we all know, the root of Europe's problems is the lack of cultural self-confidence (nationalism). Most people are still terrified of nationalistic political doctrines thinking that if we ever embrace these principles again, new "Hitler's" will suddenly pop up and initiate global Armageddon... Needless to say; the growing numbers of nationalists in W. Europe are systematically being ridiculed, silenced and persecuted by the current cultural Marxist/multiculturalist political establishments. This has been a continuous ongoing process which started in 1945. This irrational fear of nationalistic doctrines is preventing us from stopping our own national/cultural suicide as the Islamic colonization is increasing annually. This book presents the only solutions to our current problems.

You cannot defeat Islamisation or halt/reverse the Islamic colonization of Western Europe without first removing the political doctrines manifested through multiculturalism/cultural Marxism...

I have written approximately half of the compendium myself. The rest is a compilation of works from several courageous individuals throughout the world. I originally planned to add a database of high quality graphic illustrations and pictures. However, the document (file) would have been un-practically large which would complicate the process of efficient distribution.

Distribution of the book

The content of the compendium truly belongs to everyone and is free to be distributed in any way or form. In fact, I ask only one favour of you; I ask that you distribute this book to everyone you know. Please do not think that others will take care of it. Sorry to be blunt, but it does not work out that way. If we, the Western European Resistance, fail or become apathetic, then Western Europe will fall, and your freedom and our children's freedom with it... It is essential and very important that everyone is at least presented with the truth before our systems come crashing down within 2 to 7 decades. So again, I humbly ask you to re-distribute the book to as many patriotic minded individuals as you can. I am 100% certain that the distribution of this compendium to a large portion of European patriots will contribute to ensure our victory in the end. Because within these three books lies the tools required to win the ongoing Western European cultural war.

As already mentioned; the compendium is a compilation of works from multiple courageous individuals throughout the world. I have spent more than three years writing and/or compiling most of the content. None of the other authors have been asked to participate in this project due to practical and security reasons but most of them have made their material available for distribution. The needs of the many outweigh the needs of the few. This is the reason why I have decided to allow the content of this compendium to be freely redistributed and translated. Consider it my personal gift and contribution to all Europeans. The sources are not embedded into the document for this reason (easier to use and distribute the various articles). However, it is required that the author(s) are credited when the material is used.

As such, the intellectual property of this compendium belongs to all Europeans across the European world and can be distributed and translated without limitations. Efficient distribution and circulation will be possible if those who agree with at least some of its content, principles or ideas contribute to spread the information. If you are reading this you will know that many people will be interested in obtaining the compendium (3 books). Let's use this momentum to our advantage as it will surely benefit our struggle.

I'm depending on you to distribute the book or some/all of its content to as many patriotic European political activists as possible. Let them know what is going on and what is required of each and every one of us. After all, we do not only have a right to resist the current development, it is our duty as Europeans to prevent the annihilation of our identities, our cultures and traditions and our nation states! Please contribute to distribute the compendium to as many patriotic minded Europeans as humanly possible in all 26 European countries. This is only be the beginning...!

By including the "legal disclaimer" in "Book 3; " will allow everyone to distribute the content without violating any European laws. If you are still in doubt feel free to delete or change the wording in certain chapters before distribution.

Please help to make this book available through various torrents, blogs, websites, on Facebook, on Twitter, on forums and through other arenas. It is truly a one-of-a-kind, unique and great tool that can and should be used by all cultural conservatives in the decades to come.

Priority objective - translating the book to German, French and Spanish.

I highly recommend that especially a French, German and Spanish patriot takes responsibility and ensures that this compendium is either distributed and/or translated to your respective language. It should be distributed to torrents, websites, Facebook groups and other political groups where there are high concentrations of cultural conservatives/nationalists/patriots. I have been unsuccessful to efficiently distribute the compendium to especially French, German and Spanish speaking individuals due to language barriers. It is therefore essential that someone steps up and takes responsibility to distribute it to as many as humanly possible. If you, yourself, are too busy, unavailable or unable to contribute to help translate it, please do contact one of many cultural conservative/nationalist intellectuals/writers/journalists in your country. Contact individuals you know who are not afraid to operate outside the boundaries of political correctness. We, the right wing Resistance Movements of Europe depend on efficient re-distribution of this vital information included in this compendium. The efficient distribution of this book to all nationalists of Europe may significantly contribute to future regime shifts. Because within this compendium lies the tools and knowledge on exactly how to replace our current regimes. I really hope someone will accept this very important task and contribute; because if you won't, no one will...

Extracting info from the document or convert from a Word file to a PDF file + translation service

It's easy to convert the document from a Word file to a PDF file or any other format providing you have the Microsoft Word/Office software (preferably Word 2007 or newer). If you do not have this software you can either download the free "Word Viewer" which allows you to view, print and copy Word documents, even if you don't have Word installed. Just do a search for the key word "Word Viewer" at the following site:

<http://www.microsoft.com/downloads> or use the following direct download link:

<http://www.microsoft.com/downloads/details.aspx?displaylang=en&FamilyID=3657ce88-7cfa-457a-9aec-f4f827f20cac>

You can also just buy the full Office package or download a free trial from the Microsoft site: <http://office.microsoft.com> or alternatively, go to one of the following torrent sites to download it for free:

- | | | |
|---------------------|-----------------------|-----------------|
| 1. thepiratebay.org | 3. torrentreactor.net | 5. torrentz.com |
| 2. btscene.com | 4. extratorrent.com | 6. btmon.com |

You must first download a torrent application. The best torrent application (uTorrent) can be downloaded here: www.utorrent.com If you want Word 2007 for longer than the 60 day trial it is likely you will have to download a serial code which allows you to unlock the software permanently or at least extend the trial period for 6-12 months.

I chose to send the compendium as a Word file for the following reason:

1. MS Word is one of the most common and popular software formats
2. Significantly easier to edit the document compared to PDF
3. A Word file is significantly smaller than a PDF file (3,5 MB vs 8-10 MB)
4. The quality of the images are conserved a lot better than in a PDF
5. Distribution: it is easier to avoid spam filters with a file smaller than 5 MB

Since I have chosen to send the document in Word format you can easily extract all information and the images from the Word file. I deliberately avoided locking the document for this reason. If you want to extract the images from word you can do the following:

1. Simply open MS Paint (standard Windows program), copy the image from Word and paste it in Paint. You then save the image in Paint as a jpg or any other format.

It is easy to convert the file, if desired, to a PDF file or any other format. Simply save the Word file as a PDF file. As for extraction from a PDF file; several software programs including newer versions of Adobe Acrobat allow conversion and extraction. Just google the word; "PDF to Word converter" or download the following free converter software: <http://www.hellopdf.com/download.php>

As for a free and powerful translator service; the google translation service offers a powerful and relatively accurate tool: <http://translate.google.com>

Display using kindle/nook/iPad

Kindle, nook or iPad is a hardware platform (LCD board) very suitable for reading e-books and other digital media. It costs as little as 100-200 USD on the second hand market. Also, there are other hand held devices like iPhone. All you have to do is select Word as input and kindle/nook/iPad/iPhone as output and transfer the file.

Converting the Word file to paper

Successful self-publishers today leverage the benefits provided by print-on-demand services, where they don't need to waste money on printing costs or on inventory and stocking fees.

A "print-on-demand" (POD) service, sometimes called publish-on-demand, is a printing technology and business process in which new copies of a book are not printed until an order has been received. Many traditional small presses have replaced their traditional printing equipment with POD equipment or contract their printing out to POD providers.

When customers order their books, self-publishing outlets like Cafepress.com and others (see list) will print on-demand as many book as needed and they will also ship them and

get payments for them from those ordering. These self-publishing services accept uploaded digital content such as Word or PDF files. However, due to the controversial nature of the content of this book, the individual that makes the initial arrangement has to be careful and may need to cut away certain chapters before using commercial services such as these.

Self publishing services/books on demand services:

lulu.com	xlibris.com	authorhouse.co.uk	unibook.com
createspace.com	webook.com	spirepublishing.com	createbooks.com
cafepress.co.uk	selfpublishing.com	trafford.com	booksurge.com
booksondemand.com	infinitypublishing.com	lightningsource.com	blurb.com

Guide to self publishing:

<http://www.masternewmedia.org/self-publish-your-book-guide-to-the-best-self-publishing-services/>

Intro to e-book format:

<http://toc.oreilly.com/2008/04/ebook-format-primer.html>

Sacrifices made when creating the compendium

I've spent a total of 9 years of my life working on this project. The first five years were spent studying and creating a financial base, and the last three years was spent working full time with research, compilation and writing. Creating this compendium has personally cost me a total of 317 000 Euros (130 000 Euros spent from my own pocket and 187 500 Euros for loss of income during three years). All that, however, is barely noticeable compared to the sacrifices made in relation to the distribution of this book, the actual marketing operation;)

The importance of spreading the truth and distribute sound strategies cannot be underestimated as it is at the very core of our current resistance efforts. I do hope you take the time to read it. Several aspects of the work is truly unique and no similar compendium exists today. Don't let the topics discussed in the books startle you too much. Many of the topics may seem completely absurd or too radical today, but in a couple of decades, you will start to understand its relevancy to our struggle. Nevertheless, if the content freaks you out too much, to a degree where you want to delete it, I would highly recommend you rather save it on a USB flash drive (small memory chip) and place the chip in a safe location. Because it is likely that you will want to read it at some point in time. After all, we can only ignore central aspects of reality for so long.

A message from the author/creator of the compendium

I hope you enjoy this compendium. It currently offers the most comprehensive database of solution oriented subjects. As mentioned, I only ask one thing from you; that you distribute this book to your friends and ask them to forward it to "their" friends, especially to individuals who have a patriotic mindset. Please help us and help yourself, your family and friends by contributing to spread the tools which will ensure our victory; for the truth must be known... It is not only our right but also our duty to contribute to preserve our identity, our culture and our national sovereignty by preventing the ongoing Islamisation. There is no Resistance Movement if individuals like us refuse to contribute...

Multiculturalism (cultural Marxism/political correctness), as you might know, is the root cause of the ongoing Islamisation of Europe which has resulted in the ongoing Islamic colonisation of Europe through demographic warfare (facilitated by our own leaders). This compendium presents the solutions and explains exactly what is required of each and every one of us in the coming decades. Everyone can and should contribute in one way or the other; it's just a matter of will.

Time is of the essence. We have only a few decades to consolidate a sufficient level of resistance before our major cities are completely demographically overwhelmed by Muslims. Ensuring the successful distribution of this compendium to as many Europeans as humanly possible will significantly contribute to our success. It may be the only way to avoid our present and future dhimmitude (enslavement) under Islamic majority rule in our own countries.

I have been unable to send this compendium to many people, for various reasons, so I truly hope you will be willing to contribute.

It should be noted that English is my secondary language and due to certain security precautions I was unable to have the documents professionally edited and proof read. Needless to say, there is a potential for improving it literarily. As such, consider it a "first edition draft". The responsibility falls upon you now as I will, for obvious reasons, not be able to develop it any further.

Any and all individuals with the appropriate skills are encouraged to contribute to a second edition of this compendium by improving and expanding it where needed.

Sincere and patriotic regards,

Andrew Berwick, London, England - 2011

Justiciar Knight Commander for Knights Templar Europe and one of several leaders of the National and pan-European Patriotic Resistance Movement

With the assistance from brothers and sisters in England, France, Germany, Sweden, Austria, Italy, Spain, Finland, Belgium, the Netherlands, Denmark, the US etc.

Introduction to the compendium - "2083" -

The introductory chapter explains how "cultural" Marxism gradually infiltrated our post-WW2 societies. It is essential to understand how it started in order to comprehend our current issues. The chapter was written for the US specifically but applies to Western Europe as well.

Introduction - What is "Political Correctness"?

One of conservatism's most important insights is that all ideologies are wrong. Ideology takes an intellectual system, a product of one or more philosophers, and says, "This system must be true." Inevitably, reality ends up contradicting the system, usually on a growing number of points. But the ideology, by its nature, cannot adjust to reality; to do so would be to abandon the system.

Therefore, reality must be suppressed. If the ideology has power, it uses its power to undertake this suppression. It forbids writing or speaking certain facts. Its goal is to prevent not only expression of thoughts that contradict what "must be true," but thinking such thoughts. In the end, the result is inevitably the concentration camp, the gulag and the grave.

But what happens today to Europeans who suggest that there are differences among ethnic groups, or that the traditional social roles of men and women reflect their different natures, or that homosexuality is morally wrong? If they are public figures, they must grovel in the dirt in endless, canting apologies. If they are university students, they face star chamber courts and possible expulsion. If they are employees of private corporations, they may face loss of their jobs. What was their crime? Contradicting the new EUSSR ideology of "Political Correctness."

But what exactly is "Political Correctness?" Marxists have used the term for at least 80 years, as a broad synonym for "the General Line of the Party." It could be said that Political Correctness is the General Line of the Establishment in Western European countries today; certainly, no one who dares contradict it can be a member of that Establishment. But that still does not tell us what it really is.

We must seek to answer that question. The only way any ideology can be understood, is by looking at its historical origins, its method of analysis and several key components, including its place in higher education and its ties with the Feminist movement.

If we expect to prevail and restore our countries to full freedom of thought and expression, we need to know our enemy. We need to understand what Political Correctness really is. As you will soon see, if we can expose the true origins and nature of Political Correctness, we will have taken a giant step toward its overthrow.

How it all began - Political Correctness is Cultural Marxism

Most Europeans look back on the 1950s as a good time. Our homes were safe, to the point where many people did not bother to lock their doors. Public schools were generally excellent, and their problems were things like talking in class and running in the halls. Most men treated women like ladies, and most ladies devoted their time and effort to making good homes, rearing their children well and helping their communities through volunteer work. Children grew up in two-parent households, and the mother was there to meet the child when he came home from school. Entertainment was something the whole family could enjoy.

What happened?

If a man of the 1950s were suddenly introduced into Western Europe in the 2000s, he would hardly recognise it as the same country. He would be in immediate danger of getting mugged, carjacked or worse, because he would not have learned to live in constant fear. He would not know that he shouldn't go into certain parts of the city, that his car must not only be locked but equipped with an alarm, that he dare not go to sleep at night without locking the windows and bolting the doors – and setting the electronic security system.

If he brought his family with him, he and his wife would probably cheerfully pack their children off to the nearest public school. When the children came home in the afternoon and told them they had to go through a metal detector to get in the building, had been given some funny white powder by another kid and learned that homosexuality is normal and good, the parents would be uncomprehending.

In the office, the man might light up a cigarette, drop a reference to the "little lady," and say he was happy to see the firm employing some coloured folks in important positions. Any of those acts would earn a swift reprimand, and together they might get him fired.

When she went into the city to shop, the wife would put on a nice suit, hat, and possibly gloves. She would not understand why people stared, and mocked.

And when the whole family sat down after dinner and turned on the television, they would not understand how pornography from some sleazy, blank-fronted "Adults Only" kiosk had gotten on their set.

Were they able, our 1950s family would head back to the 1950s as fast as they could, with a gripping horror story to tell. Their story would be of a nation that had decayed and degenerated at a fantastic pace, moving in less than a half a century from the greatest countries on earth to Third World nations, overrun by crime, noise, drugs and dirt. The fall of Rome was graceful by comparison.

Why did it happen?

Over the last fifty years, Western Europe has been conquered by the same force that earlier took over Russia, China, Germany and Italy. That force is ideology. Here, as elsewhere, ideology has inflicted enormous damage on the traditional culture it came to dominate, fracturing it everywhere and sweeping much of it away. In its place came fear, and ruin. Russia will take a generation or more to recover from Communism, if it ever can.

The ideology that has taken over Western Europe goes most commonly by the name of "Political Correctness." Some people see it as a joke. It is not. It is deadly serious. It seeks to alter virtually all the rules, formal and informal, that govern relations among people and institutions. It wants to change behaviour, thought, even the words we use.

To a significant extent, it already has. Whoever or whatever controls language also controls thought. Who dares to speak of "ladies" now?

Just what is "Political Correctness?" Political Correctness is in fact cultural Marxism (Cultural Communism) – Marxism translated from economic into cultural terms. The effort to translate Marxism from economics into culture did not begin with the student rebellion of the 1960s. It goes back at least to the 1920s and the writings of the Italian Communist Antonio Gramsci. In 1923, in Germany, a group of Marxists founded an institute devoted to making the transition, the Institute of Social Research (later known as the Frankfurt School). One of its founders, George Lukacs, stated its purpose as answering the question, "Who shall save us from Western Civilisation?" The Frankfurt School gained profound influence in European and American universities after many of its leading lights fled and spread all over Europe and even to the United States in the 1930s to escape National Socialism in Germany. In Western Europe it gained influence in universities from 1945.

The Frankfurt School blended Marx with Freud, and later influences (some Fascist as well as Marxist) added linguistics to create "Critical Theory" and "deconstruction." These in turn greatly influenced education theory, and through institutions of higher education gave birth to what we now call "Political Correctness." The lineage is clear, and it is traceable right back to Karl Marx.

The parallels between the old, economic Marxism and cultural Marxism are evident. Cultural Marxism, or Political Correctness, shares with classical Marxism the vision of a "classless society," i.e., a society not merely of equal opportunity, but equal condition. Since that vision contradicts human nature – because people are different, they end up unequal, regardless of the starting point – society will not accord with it unless forced. So, under both variants of Marxism, it is forced. This is the first major parallel between classical and cultural Marxism: both are totalitarian ideologies. The totalitarian nature of Political Correctness can be seen on campuses where "PC" has taken over the college: freedom of speech, of the press, and even of thought are all eliminated.

The second major parallel is that both classical, economic Marxism and cultural Marxism have single-factor explanations of history. Classical Marxism argues that all of history was determined by ownership of the means of production. Cultural Marxism says that history is wholly explained by which groups – defined by sex, race, religion and sexual normality or abnormality – have power over which other groups.

The third parallel is that both varieties of Marxism declare certain groups virtuous and others evil a priori, that is, without regard for the actual behaviour of individuals. Classical Marxism defines workers and peasants as virtuous and the bourgeoisie (the middle class) and other owners of capital as evil. Cultural Marxism defines all minorities, what they see as the victims; Muslims, Feminist women, homosexuals and some additional minority groups as virtuous and they view ethnic Christian European men as evil. (Cultural Marxism does not recognise the existence of non-Feminist women, and defines Muslims, Asians and Africans who reject Political Correctness as evil, just like native Christian or even atheist Europeans.).

The fourth parallel is in means: expropriation. Economic Marxists, where they obtained power, expropriated the property of the bourgeoisie and handed it to the state, as the "representative" of the workers and the peasants. Cultural Marxists, when they gain power (including through our own government), lay penalties on native European men and others who disagree with them and give privileges to the "victim" groups they favour. Affirmative action is an example.

Finally, both varieties of Marxists employ a method of analysis designed to show the correctness of their ideology in every situation. For classical Marxists, the analysis is

economic. For cultural Marxists, the analysis is linguistic: deconstruction. Deconstruction "proves" that any "text," past or present, illustrates the oppression of Muslims, women, homosexuals, etc. by reading that meaning into words of the text (regardless of their actual meaning). Both methods are, of course, phony analyses that twist the evidence to fit preordained conclusions, but they lend a 'scientific' air to the ideology.

These parallels are neither remarkable nor coincidental. They exist because Political Correctness is directly derived from classical Marxism, and is in fact a variant of Marxism. Through most of the history of Marxism, cultural Marxists were "read out" of the movement by classical, economic Marxists. Today, with economic Marxism dead, cultural Marxism has filled its shoes. The medium has changed, but the message is the same: a society of radical egalitarianism enforced by the power of the state.

Political Correctness now looms over Western European society like a colossus. It has taken over both political wings, left and right. Among so called Western European "conservative" parties the actual cultural conservatives are shown the door because being a cultural conservative opposes the very essence of political correctness. It controls the most powerful element in our culture, the media and entertainment industry. It dominates both public and higher education: many a college campus is a small, ivy-covered North Korea. It has even captured the higher clergy in many Christian churches. Anyone in the Establishment who departs from its dictates swiftly ceases to be a member of the Establishment.

The most vital question is: how can Western Europeans combat Political Correctness and retake their society from the cultural Marxists?

It is not sufficient just to criticise Political Correctness. It tolerates a certain amount of criticism, even gentle mocking. It does so through no genuine tolerance for other points of view, but in order to disarm its opponents, to let itself seem less menacing than it is. The cultural Marxists do not yet have total power, and they are too wise to appear totalitarian until their victory is assured.

Rather, those who would defeat cultural Marxism must defy it. They must use words it forbids, and refuse to use the words it mandates; remember, sex is better than gender. They must shout from the housetops the realities it seeks to suppress, such as our opposition to Sharia on a national and local level, the Islamisation of our countries, the facts that violent crime is disproportionately committed by Muslims and that most cases of AIDS are voluntary, i.e., acquired from immoral sexual acts. They must refuse to turn their children over to public schools.

Above all, those who would defy Political Correctness must behave according to the old rules of our culture, not the new rules the cultural Marxists lay down. Ladies should be wives and homemakers, not cops or soldiers, and men should still hold doors open for ladies. Children should not be born out of wedlock. Glorification of homosexuality should be shunned. Jurors should not accept Islam as an excuse for murder.

Defiance spreads. When other Western Europeans see one person defy Political Correctness and survive – and you still can, for now – they are emboldened. They are tempted to defy it, too, and some do. The ripples from a single act of defiance, of one instance of walking up to the clay idol and breaking off its nose, can range far. There is nothing the Politically Correct fear more than open defiance, and for good reason; it is their chief vulnerability. That should lead cultural conservatives to defy cultural Marxism at every turn.

While the hour is late, the battle is not decided. Very few Western Europeans realise that Political Correctness is in fact Marxism in a different set of clothes. As that realisation spreads, defiance will spread with it. At present, Political Correctness prospers by

disguising itself. Through defiance, and through education on our own part (which should be part of every act of defiance), we can strip away its camouflage and reveal the Marxism beneath the window-dressing of "sensitivity," "tolerance," and "multiculturalism."

Who dares, wins.

The Historical Roots of "Political Correctness"

Western Europe is today dominated by an alien system of beliefs, attitudes and values that we have come to know as "Political Correctness." Political Correctness seeks to impose a uniformity of thought and behaviour on all Europeans and is therefore totalitarian in nature. Its roots lie in a version of Marxism which seeks a radical inversion of the traditional culture in order to create a social revolution.

Social revolution has a long history, conceivably going as far back as Plato's Republic. But it was the French Revolution of 1789 that inspired Karl Marx to develop his theories in the nineteenth century. In the twentieth century, the success of the Bolshevik Revolution of 1917 in Russia set off a wave of optimistic expectation among the Marxist forces in Europe and America that the new proletarian world of equality was finally coming into being. Russia, as the first communist nation in the world, would lead the revolutionary forces to victory.

The Marxist revolutionary forces in Europe leaped at this opportunity. Following the end of World War I, there was a Communist "Spartacist" uprising in Berlin, Germany led by Rosa Luxemburg; the creation of a "Soviet" in Bavaria led by Kurt Eisner; and a Hungarian communist republic established by Bela Kun in 1919. At the time, there was great concern that all of Europe might fall under the banner of Bolshevism. This sense of impending doom was given vivid life by Trotsky's Red Army invasion of Poland in 1919.

However, the Red Army was defeated by Polish forces at the battle of the Vistula in 1920. The Spartacist, Bavarian Soviet and Bela Kun governments all failed to gain widespread support from the workers and after a brief time they were all overthrown. These events created a quandary for the Marxist revolutionaries in Europe. Under Marxist economic theory, the oppressed workers were supposed to be the beneficiaries of a social revolution that would place them on top of the power structure. When these revolutionary opportunities presented themselves, however, the workers did not respond. The Marxist revolutionaries did not blame their theory for these failures. They blamed the workers.

One group of Marxist intellectuals resolved their quandary by an analysis that focused on society's cultural "superstructure" rather than on the economic substructures as Marx did. The Italian Marxist Antonio Gramsci and Hungarian Marxist Georg Lukacs contributed the most to this new cultural Marxism.

Antonio Gramsci worked for the Communist International during 1923-24 in Moscow and Vienna. He was later imprisoned in one of Mussolini's jails where he wrote his famous "Prison Notebooks." Among Marxists, Gramsci is noted for his theory of cultural hegemony as the means to class dominance. In his view, a new "Communist man" had to be created before any political revolution was possible. This led to a focus on the efforts of intellectuals in the fields of education and culture. Gramsci envisioned a long march through the society's institutions, including the government, the judiciary, the military, the schools and the media. He also concluded that so long as the workers had a Christian soul, they would not respond to revolutionary appeals.

Georg Lukacs was the son of a wealthy Hungarian banker. Lukacs began his political life as an agent of the Communist International. His book *History and Class Consciousness* gained him recognition as the leading Marxist theorist since Karl Marx. Lukacs believed that for a new Marxist culture to emerge, the existing culture must be destroyed. He said, "I saw the revolutionary destruction of society as the one and only solution to the cultural contradictions of the epoch," and, "Such a worldwide overturning of values cannot take place without the annihilation of the old values and the creation of new ones by the revolutionaries."

When he became Deputy Commissar for Culture in the Bolshevik Bela Kun regime in Hungary in 1919, Lukacs launched what became known as "Cultural Terrorism." As part of this terrorism he instituted a radical sex education program in Hungarian schools. Hungarian children were instructed in free love, sexual intercourse, the archaic nature of middle-class family codes, the out-datedness of monogamy, and the irrelevance of religion, which deprives man of all pleasures. Women, too, were called to rebel against the sexual mores of the time. Lukacs's campaign of "Cultural Terrorism" was a precursor to what Political Correctness would later bring to Western European schools.

In 1923, Lukacs and other Marxist intellectuals associated with the Communist Party of Germany founded the Institute of Social Research at Frankfurt University in Frankfurt, Germany. The Institute, which became known as the Frankfurt School, was modelled after the Marx-Engels Institute in Moscow. In 1933, when Nazis came to power in Germany, the members of the Frankfurt School fled. Most came to the United States.

The members of the Frankfurt School conducted numerous studies on the beliefs, attitudes and values they believed lay behind the rise of National Socialism in Germany. The Frankfurt School's studies combined Marxist analysis with Freudian psychoanalysis to criticise the bases of Western culture, including Christianity, capitalism, authority, the family, patriarchy, hierarchy, morality, tradition, sexual restraint, loyalty, patriotism, nationalism, heredity, ethnocentrism, convention and conservatism. These criticisms, known collectively as Critical Theory, were reflected in such works of the Frankfurt School as Erich Fromm's *Escape from Freedom* and *The Dogma of Christ*, Wilhelm's Reich's *The Mass Psychology of Fascism* and Theodor Adorno's *The Authoritarian Personality*.

The Authoritarian Personality, published in 1950, substantially influenced Western European psychologists and social scientists. The book was premised on one basic idea, that the presence in a society of Christianity, capitalism, and the patriarchal-authoritarian family created a character prone to racial and religious prejudice and German fascism. *The Authoritarian Personality* became a handbook for a national campaign against any kind of prejudice or discrimination on the theory that if these evils were not eradicated, another Holocaust might occur on the European continent. This campaign, in turn, provided a basis for Political Correctness.

Critical Theory incorporated sub-theories which were intended to chip away at specific elements of the existing culture, including "matriarchal theory," "androgyny theory," "personality theory," "authority theory," "family theory," "sexuality theory," "racial theory," "legal theory," and "literary theory." Put into practice, these theories were to be used to overthrow the prevailing social order and usher in social revolution.

To achieve this, the Critical Theorists of the Frankfurt School recognised that traditional beliefs and the existing social structure would have to be destroyed and then replaced. The patriarchal social structure would be replaced with matriarchy; the belief that men and women are different and properly have different roles would be replaced with androgyny; and the belief that heterosexuality is normal would be replaced with the belief that homosexuality is equally "normal."

As a grand scheme intended to deny the intrinsic worth of native Christian European, heterosexual males, the Critical Theorists of the Frankfurt School opened the door to the racial and sexual antagonisms of the Trotskyites. Many believed that oppressed Muslims, non European minorities and others like Feminists and Homosexuals could be the vanguard of a communist revolution in Europe.

Trotsky's ideas were adopted by many of the student leaders of the 1960s counterculture movement, who attempted to elevate minority revolutionaries to positions of leadership in their movement.

The student revolutionaries were also strongly influenced by the ideas of Herbert Marcuse, another member of the Frankfurt School. Marcuse preached the "Great Refusal," a rejection of all basic Western concepts, sexual liberation and the merits of feminist and black revolution. His primary thesis was that university students, ghetto blacks, the alienated, the asocial, and the Third World could take the place of the proletariat in the Communist revolution. In his book *An Essay on Liberation*, Marcuse proclaimed his goals of a radical transvaluation of values; the relaxation of taboos; cultural subversion; Critical Theory; and a linguistic rebellion that would amount to a methodical reversal of meaning. As for racial conflict, Marcuse wrote that white men are guilty and that blacks are the most natural force of rebellion.

Marcuse may be the most important member of the Frankfurt School in terms of the origins of Political Correctness, because he was the critical link to the counterculture of the 1960s. His objective was clear: "One can rightfully speak of a cultural revolution, since the protest is directed toward the whole cultural establishment, including morality of existing society..." His means was liberating the powerful, primeval force of sex from its civilised restraints, a message preached in his book, *Eros and Civilisation*, published in 1955. Marcuse became one of the main gurus of the 1960s adolescent sexual rebellion; he himself coined the expression, "make love, not war." With that role, the chain of Marxist influence via the Frankfurt School was completed: from Lukacs' service as Deputy Commissar for Culture in the Bolshevik Hungarian government in 1919 to Western European and American students burning the flag and taking over college administration buildings in the 1960s. Today, many of these same colleges are bastions of Political Correctness, and the former student radicals have become the faculties.

One of the most important contributors to Political Correctness was Betty Friedan. Through her book *The Feminine Mystique*, Friedan tied Feminism to Abraham Maslow's theory of self-actualisation. Maslow was a social psychologist who in his early years did research on female dominance and sexuality. Maslow was a friend of Herbert Marcuse at Brandeis University and had met Erich Fromm in 1936. He was strongly impressed by Fromm's Frankfurt School ideology. He wrote an article, "The Authoritarian Character Structure," published in 1944, that reflected the personality theory of Critical Theory. Maslow was also impressed with the work of Wilhelm Reich, who was another Frankfurt School originator of personality theory.

The significance of the historical roots of Political Correctness cannot be fully appreciated unless Betty Friedan's revolution in sex roles is viewed for what it really was – a manifestation of the social revolutionary process begun by Karl Marx. Friedan's reliance on Abraham Maslow's reflection of Frankfurt School ideology is only one indicator. Other indicators include the correspondence of Friedan's revolution in sex roles with Georg Lukacs' annihilation of old values and the creation of new ones, and with Herbert Marcuse's transvaluation of values. But the idea of transforming a patriarchy into a matriarchy – which is what a sex-role inversion is designed to do – can be connected directly to Friedrich Engels book *The Origin of the Family, Private Property, and the State*. First published in 1884, this book popularised the now-accepted feminist belief that deep-rooted discrimination against the oppressed female sex was a function of patriarchy. The belief that matriarchy was the solution to patriarchy flows from Marx's

comments in *The German Ideology*, published in 1845. In this work Marx advanced the idea that wives and children were the first property of the patriarchal male. The Frankfurt School's matriarchal theory and its near-relation, androgyny theory, both originated from these sources.

When addressing the general public, advocates of Political Correctness – or cultural Marxism, to give it its true name – present their beliefs attractively. It's all just a matter of being "sensitive" to other people, they say. They use words such as "tolerance" and "diversity," asking, "Why can't we all just get along?"

The reality is different. Political Correctness is not at all about "being nice," unless one thinks gulags are nice places. Political Correctness is Marxism, with all that implies: loss of freedom of expression, thought control, inversion of the traditional social order, and, ultimately, a totalitarian state. If anything, the cultural Marxism created by the Frankfurt School is more horrifying than the old, economic Marxism that ruined Russia. At least the economic Marxists did not exalt sexual perversion and attempt to create a matriarchy, as the Frankfurt School and its descendants have done.

This short essay has sought to show one critical linkage, that between classical Marxism and the ingredients of the "cultural revolution" that broke out in Western Europe in the 1960s. Of course, the action does not stop in the '60s; the workings of the Frankfurt School are yet very much with us, especially in the field of education. That topic, and other present-day effects of Frankfurt School thinking, will be further analysed.

Cultural Marxist profiles

Georg Lukacs

- He began his political life as a Kremlin agent of the Communist International.
- His *History and Class-Consciousness* gained him recognition as the leading Marxist theorist since Karl Marx.
- In 1919 he became the Deputy Commissar for Culture in the Bolshevik Bela Kun Regime in Hungary. He instigated what became known as "Cultural Terrorism."
- Cultural Terrorism was a precursor of what was to happen in European and American schools.
- He launched an "explosive" sex education program. Special lectures were organised in Hungarian schools and literature was printed and distributed to instruct children about free love, the nature of sexual intercourse, the archaic nature of the bourgeois family codes, the outdatedness of monogamy, and the irrelevance of religion, which deprives man of all pleasure. Children were urged to reject and deride paternal authority and the authority of the Church, and to ignore precepts of morality. They were easily and spontaneously turned into delinquents with whom only the police could cope. This call to rebellion addressed to Hungarian children was matched by a call to rebellion addressed to Hungarian women.
- In rejecting the idea that Bolshevism spelled the destruction of civilisation and culture, Lukacs stated: "Such a worldwide overturning of values cannot take place without the annihilation of the old values and the creation of new ones by the revolutionaries."

- Lukacs' state of mind was expressed in his own words:
 - "All the social forces I had hated since my youth, and which I aimed in spirit to annihilate, now came together to unleash the First Global War."
 - "I saw the revolutionary destruction of society as the one and only solution to the cultural contradictions of the speech."
 - "The question is: Who will free us from the yoke of Western Civilisation?"
 - "Any political movement capable of bringing Bolshevism to the West would have to be 'Demonic'."
 - "The abandonment of the soul's uniqueness solves the problem of 'unleashing' the diabolic forces lurking in all the violence which is needed to create revolution."
- Lukacs' state of mind was typical of those who represented the forces of Revolutionary Marxism.
- At a secret meeting in Germany in 1923, Lukacs proposed the concept of inducing "Cultural Pessimism" in order to increase the state of hopelessness and alienation in the people of the West as a necessary prerequisite for revolution.
- This meeting led to the founding of the Institute for Social Research at Frankfurt University in Germany in 1923 – an organisation of Marxist and Communist-oriented psychologists, sociologists and other intellectuals that came to be known as the Frankfurt School, which devoted itself to implementing Georg Lukacs's program.

Antonio Gramsci

- He was an Italian Marxist on an intellectual par with Georg Lukacs who arrived by analysis at the same conclusions as Lukacs and the Frankfurt School regarding the critical importance of intellectuals in fomenting revolution in the West.
- He had travelled to the Soviet Union after the Bolshevik Revolution of 1917 and made some accurate observations that caused him to conclude that a Bolshevik-style uprising could not be brought about by Western workers due to the nature of their Christian souls.
- Antonio Gramsci became the leader of the Italian Communist Party, which earned him a place in one of Mussolini's jails in the 1930s, where he wrote Prison Notebooks and other documents.
- These works became available in English to Brits and Americans.
- His advice to the intellectuals was to begin a long march through the educational and cultural institutions of the nation in order to create a new Soviet man before there could be a successful political revolution.
- This reflected his observations in the Soviet Union that its leaders could not create such a new Soviet man after the Bolshevik Revolution.
- This blueprint for mind and character change made Gramsci a hero of Revolutionary Marxism in American education and paved the way for creation of the New American Child in the schools by the education cartel.

- The essential nature of Antonio Gramsci's revolutionary strategy is reflected in Charles A. Reich's *The Greening of America*: "There is a revolution coming. It will not be like revolutions in the past. It will originate with the individual and the culture, and it will change the political structure as its final act. It will not require violence to succeed, and it cannot be successfully resisted by violence. This is revolution of the New Generation."

Wilhelm Reich

- In his 1933 book entitled *The Mass Psychology of Fascism*, he explained that the Frankfurt School departed from the Marxist sociology that set "Bourgeois" against "Proletariat." Instead, the battle would be between "reactionary" and "revolutionary" characters.

- He also wrote a book entitled *The Sexual Revolution* which was a precursor of what was to come in the 1960s.

- His "sex-economic" sociology was an effort to harmonise Freud's psychology with Marx's economic theory.

- Reich's theory was expressed in his words: "The authoritarian family is the authoritarian state in miniature. Man's authoritarian character structure is basically produced by the embedding of sexual inhibitions and fear in the living substance of sexual impulses. Familial imperialism is ideologically reproduced in national imperialism...the authoritarian family...is a factory where reactionary ideology and reactionary structures are produced."

- Wilhelm Reich's theory, when coupled with Georg Lukacs' sex education in Hungary, can be seen as the source for the American education cartel's insistence on sex education from kindergarten onwards and its complete negation of the paternal family, external authority, and the traditional character structure.

- Reich's theory encompassed other assertions that seem to have permeated American education:

- The organised religious mysticism of Christianity was an element of the authoritarian family that led to Fascism.

- The patriarchal power in and outside of man was to be dethroned.

- Revolutionary sexual politics would mean the complete collapse of authoritarian ideology.

- Birth control was revolutionary ideology.

- Man was fundamentally a sexual animal.

- Reich's *The Mass Psychology of Fascism* was in its ninth printing as of 1991 and is available in most college bookstores.

Erich Fromm

- Like Wilhelm Reich, Fromm was a social psychologist of the Frankfurt School who came to America in the 1930s.
- His book *Escape from Freedom*, published in 1941, is an ideological companion to Wilhelm Reich's *The Mass Psychology of Fascism*.
- Fromm asserted that early capitalism created a social order that resulted in Calvin's Theory of Predestination, which reflected the principle of the basic inequality of men which was revived in Nazi ideology.
- He asserted the authoritarian character experiences only domination or submission and "differences, whether sex or race, to him are necessarily of superiority or inferiority."
- He asserted that "Positive Freedom" implies the principle that there is no higher power than the unique individual self; that man is the center and purpose of life; that the growth and realisation of man's individuality is an end that can be subordinated to purposes which are supposed to have a greater dignity.
- Fromm made the real meaning of this "Positive Freedom" clear in another of his many books – *The Dogma of Christ* - wherein he describes a revolutionary character such as himself as the man who has emancipated himself from the ties of blood and soil, from his mother and father, and from special loyalties to state, race, party or religion.
- Fromm makes his revolutionary intent very clear in *The Dogma of Christ*... "We might define revolution in a psychological sense, saying that a revolution is a political movement led by people with revolutionary characters, and attracting people with revolutionary characters."

Herbert Marcuse

- Like Wilhelm Reich and Erich Fromm, Marcuse was an intellectual of the Frankfurt School who came to America in the 1930s.
- He has often been described as a Marxist philosopher, but he was in fact a full-blooded social revolutionary who contemplated the disintegration of Western European and American society just as Karl Marx and Georg Lukacs contemplated the disintegration of German society: "One can rightfully speak of a cultural revolution, since the protest is directed toward the whole cultural establishment, including the morality of existing society...there is one thing we can say with complete assurance: the traditional idea of revolution and the traditional strategy of revolution has ended. These ideas are old-fashioned...What we must undertake is a type of diffuse and dispersed disintegration of the system."
- Marcuse published *Eros and Civilisation* in 1955, which became the founding document of the 1960s counterculture and brought the Frankfurt School into the colleges and universities of Western Europe and America.
- He asserted that the only way to escape the one-dimensionality of modern industrial society was to liberate the erotic side of man, the sensuous instinct, in rebellion against "technological rationality."

- This erotic liberation was to take the form of the "Great Refusal," a total rejection of the capitalist monster and its entire works, including technological reason and ritual-authoritarian language.
- He provided the needed intellectual justifications for adolescent sexual rebellion and the slogan "Make Love, Not War."
- His theory included the belief that the Women's Liberation Movement was to be the most important component of the opposition, and potentially the most radical.
- His revolutionary efforts would blossom into a full-scale war by revolutionary Marxism against the European white male in the schools and colleges.

Theodor Adorno

- He was another Marxist revolutionary and a member of the Frankfurt School who came to America in the 1930s.
- Along with others, Adorno authored *The Authoritarian Personality*, which was published in 1950.
- Adorno's book was inspired by the same kind of theoretical assertions revealed in the works of Wilhelm Reich, Erich Fromm, and Herbert Marcuse based on analytical studies of German society that were begun in 1923.
- The basic theme was the same. There was such a thing as an authoritarian character that was the opposite of the desired revolutionary character. This authoritarian character was a product of capitalism, Christianity, conservatism, the patriarchal family and sexual repression. In Germany, this combination induced prejudice, anti-Semitism and fascism according to Frankfurt School theory.
- It so happened that most Western Europeans and Americans were products of capitalism, Christianity, conservatism, the patriarchal family, and sexual repression in their youth. So Theodor Adorno and other members of the Frankfurt School had a golden opportunity to execute Georg Lukacs' and Antonio Gramsci's program for creating social revolution in Western Europe and America instead of Germany.
- They would posit the existence of authoritarian personalities among Western Europeans and Americans with tendencies toward prejudice, and then exploit this to force the "scientifically planned re-education" of Western Europeans and Americans with the excuse that it was being done in order to eradicate prejudice.
- This scientifically-planned re-education would become the master plan for the transformation of Europe's and America's system of fundamental values into their opposite revolutionary values in European education so that school children would become replicas of the Frankfurt School revolutionary characters and thus create the New Western Child.
- This can be confirmed by noting that *The Authoritarian Personality* is the key source of the affective domain of Benjamin Bloom's Taxonomy of Educational Objectives of 1964, which guided the education cartel thereafter.

Political Correctness in Higher Education

On a growing number of university campuses the freedom to articulate and discuss ideas – a principle that has been the cornerstone of higher education since the time of Socrates – is eroding at an alarming rate. Consider just one increasing trend: hundreds (sometimes thousands) of copies of conservative student newspapers have been either stolen or publicly burned by student radicals. In many cases these acts have taken place with the tacit support of faculty and administrators. The perpetrators are rarely disciplined.

While it would be easy to dismiss such demonstrations of tolerance as student pranks, these incidents are the surface manifestations of a more pervasive and insidious trend – a trend that has as its goal the destruction of the liberal arts tradition that has helped create and sustain Western civilisation.

Though some pundits have claimed that the prevalence of the ideological intolerance known as political correctness has been exaggerated, the opposite is closer to the truth. Political correctness has become so deeply ingrained in Western European and American higher education that many campuses are now dominated by an atmosphere of uncertainty and apprehension. An increasing number of dedicated students and faculty members now live in fear that their intellectual pursuit of truth will offend the Grand Inquisitors of political correctness.

The techniques of political correctness are now well known: attacks on the curriculum in the name of “multiculturalism,” the imposition of restrictive and vaguely-worded “speech codes,” and mandatory “sensitivity training” courses for juniors that are little more than systematic efforts at ideological indoctrination. But the influence of political correctness has spread in other disturbing ways.

The Origins of Political Correctness in Higher Education

While the ideology of political correctness is hardly restricted to our campuses, there is no doubt it originated there. The intellectual roots of this phenomenon stretch back over centuries. Ultimately, the origins of PC can be traced to the rise of modern ideology and its quest for power. In contrast to the classical and Judeo-Christian traditions, which stressed man’s need to understand the moral order and conform himself to it, modern ideologies have sought to dominate and control the world. In the twentieth century these ideologies gained political power in Communist states.

But in the West, ideology has not been able to make such a direct assault on our traditions of ordered liberty. Rather, radical intellectuals have sought to undermine the foundations of knowledge itself, concentrating their efforts on the transformation of the university.

The turning point in the academy came in the 1960s, when militant students launched a guerrilla attack on the traditions of Western culture and the liberal arts. Seeing that they could not gain lasting power through demonstrations alone, many of these militants opted to remain “in the system,” going on to become professors themselves. This generation of “Cultural Marxist radicals” has now become the establishment in the vast majority of our institutions of higher learning. As university head masters, deans, and department chairmen, they have set about hiring other ideologues in their own image and have instigated the repressive policies we know as political correctness. These politicised academics will be extremely difficult to dislodge from their current positions of power.

Ideology vs. Liberal Education

The stakes in this war of ideas are high, for they include the very concept of freedom itself. Western Europeans and Americans have always understood the intimate and vital connection between liberal education and political liberty. That is why political correctness is nothing less than a death blow aimed at the heart of our countries.

In his seminal book *The Idea of a University*, Cardinal John Henry Newman defined the "liberal arts" as a pursuit of knowledge for its own sake. By way of contrast, he defined the "servile arts" as those modes of study that serve only specific, immediate ends. The liberal arts are liberating, Newman argued, because they enable men to discover the underlying principles that guide us toward wisdom and virtue.

Were he alive today, Newman would view political correctness as "servile" because its purpose is to advance a political agenda to a position of national power. Militant professors in increasing numbers are shamelessly turning their podiums into pulpits, abandoning the search for objective truth and setting about the task of indoctrinating their students.

The Devastated Curriculum

The proponents of political correctness have concentrated their efforts on the core of a liberal education, the curriculum. Their efforts will radically alter what new generations of Western Europeans and Americans will learn. In this battle the handmaiden of political correctness has been the "multicultural" movement. A number of critics have rightly pointed out that multiculturalism is more than an argument for courses that concentrate on groups that at one time were disadvantaged or oppressed. Rather, multiculturalism involves the systematic restructuring of the curriculum so as to hinder students from learning about the Western tradition. Since the ulterior motive behind political correctness is an attempt to restructure Western European and American society along egalitarian lines, it is imperative for its proponents to instill in the minds of students a thoroughgoing cultural relativism.

Perhaps the most disturbing aspect of the politically correct assault on the curriculum is that it has occurred at many of our elite universities. Take, for example, the case of Stanford University, an institution that has long played a leadership role in American higher education. Stanford eliminated its long-standing Western civilisation requirement in 1988 and replaced it with a multicultural program known as "Cultures, Ideas, and Values." Under this new program freshmen at Stanford can just as easily study Marxist revolutionaries in Central America as they can Plato, Shakespeare, or Newton.

Stanford has also led the movement away from serious study of history. Students at Stanford, like students at all but one of the other top 50 universities in the United States, are not required to take a single course in history. Instead, they are offered a choice of courses under the heading of "American Cultures." According to one recent graduate at Stanford, it is impossible to fulfill the "American Cultures" requirement by studying Protestantism, Irish Americans, or the American West, while courses that do fulfill the requirement include "Film and Literature: US-Mexico Border Representations" and "Contemporary Ethnic Drama." Stanford students must also take courses in "World Cultures" and "Gender Studies" that include "Chicana Expressive Culture" and "Misogyny and Feminism in the Renaissance."

Because elite institutions such as Stanford set an example for the rest of American and European higher education, other universities eagerly adopt these devastating assaults

on the curriculum. This “trickle-down” effect will have a long-lasting impact on the way future generations of Western Europeans and Americans will be educated.

Intolerance and the Assault on Freedom

The two pillars that have traditionally sustained the liberal arts are academic freedom and freedom of speech. Without the freedom to pursue the truth and to write and speak freely, authentic scholarship is impossible. But both of these fundamental freedoms have been routinely abrogated by the establishment of speech codes, “sensitivity” classes, and a general atmosphere of fear and intimidation on campus.

For example, younger professors who have not received tenure must not only be careful of what they say, but of what they publish. Ideological university administrators in the 1990s have created an environment dominated by suspicion that is far more intense than anything spawned by anti-Communist Senator Joseph McCarthy in the 1950s.

The most tragic victims of this age of political correctness are the students. The traditional goal of a liberal arts education – acculturation, whereby students absorb the inherited wisdom of the past – has been set aside. Increasingly, a university education today seems to involve political indoctrination. When all is said and done, political correctness substitutes smug feelings of righteousness for the traditional habits of critical thinking. One distinguished scholar recently lamented that “higher education is increasingly about acquiring attitudes and opinions that one puts on like a uniform.”

Because the academy is a relatively isolated world, it can allow politicised administrators to turn the campus into a laboratory for experiments in social transformation. When critics of political correctness have compared the atmosphere on campus to that of a totalitarian state, liberal pundits have been quick to denounce them as hysterical. Few of these pundits have any first-hand experience of daily life on campus.

The Movement for Academic Reform

Despite the institutional power of the campus radicals, forces are at work seeking to spur authentic academic reform. The academic reform movement relies on the principles of accountability, communication, and a commitment to authentic scholarship. One force of academic reform is a growing demand among parents for greater accountability from colleges and universities. At a time when studies show that students are paying more and learning less than ever before, parents in increasing numbers are becoming discriminating consumers.



Another force is independent student newspapers whose journalists publicise the antics of political correctness on campus. In many universities, campus radicals are still unchallenged in the enclosed world of the university.

However, there are alternatives. Alternative student organisations have identified abuses at all levels of academic life and engaged in investigative journalism that has been remarkably fair and accurate. Perhaps the most well-known “scoop” came from Yale University’s alternative paper, Light & Truth, a publication supported by the Collegiate Network. The editors of Light & Truth discovered that the \$20 million gift of alumnus Lee Bass was not being used for its intended purpose of supporting an integrated course in Western civilisation. Their report broke open the scandal, which ended when Yale

returned Mr. Bass's money. The subsequent furor cost Yale a great deal more than Mr. Bass's \$20 million – both in monetary terms and in the loss of confidence of many Yale donors that the current administration can be trusted.

Not all the scandals uncovered by alternative campus papers are of this magnitude, but there are innumerable abuses that can be exposed by investigative student journalism. The law school at the University of North Carolina, Chapel Hill, banned representatives of the U.S. military from setting up recruiting tables there, despite receiving federal tax dollars from the Defence Department. An article about this outrageous assault on freedom that ran in both the student-run Carolina Review and in the national student newspaper published by ISI, CAMPUS, raised a hue and cry on and off campus. North Carolina legislators took immediate action and passed a bill prohibiting taxpayer-supported schools from discriminating against the military when prospective employers come to the university.

At the University of Wisconsin, Madison, the UWM Times, a conservative student newspaper, revealed that a university administrator had been soliciting signatures for local Democrat candidates for public office, in direct violation of a state law forbidding university employees from engaging in political campaigning. The university refused to reprimand the administrator in question – perhaps because the chancellor himself violated both the state law and his own directive by signing one of the petitions while at work. The story was picked up by the Milwaukee Journal-Sentinel and the abuse was brought to an end.

Now that alternative newspapers and organisations dedicated to academic reform are spreading the word, the larger communities that surround our institutions of higher education are getting more involved in serious academic reform. For example, the National Association of Scholars is encouraging university trustees to take a more active and vocal role in opposing the excesses of political correctness. Efforts of this type must be expanded and intensified.

In the long run, the most direct method of defeating the inquisitors of political correctness is simply to stand up to them. Individual acts of defiance often entail serious risks: students can face star-chamber proceedings that are humiliating and demoralising while faculty can lose their bids to receive tenure. But every act of resistance causes a ripple, encouraging others to stand up to ideological intimidation. With the support of a significant number of parents, donors, and alumni, these David's may yet slay the Goliaths who tower over them.

The Fire of True-Learning

Perhaps the strongest force for true academic reform is that which seeks to defeat the ideological depredations of political correctness by winning the war of ideas. Moreover, some colleges and universities continue to swim against the ideological tides of our time.

One of Edmund Burke's most famous sayings is that "the only thing necessary for the triumph of evil is for good men to do nothing." For generations, Western Europeans and Americans have treated higher education with awe – a token of their faith in the liberating power of the liberal arts. But in the face of political correctness, it is time for the Western European and American public to temper its respect with a critical sensibility, and to undertake a more direct effort to call academia to account. It is time for good men and women to demand that Western European higher education live up to its best traditions and eschew the tyranny of political correctness.

Political Correctness: Deconstruction and Literature

Literature is, if not the most important cultural indicator, at least a significant benchmark of a society's level of civilisation. Our nature and environment combine to form each individual mind, which in turn expresses itself in words. Literature, as the words society collectively holds up as exemplary, is then a starting point of sorts – a window into the culture.

Today's literary field is therefore worth examining for the insights it provides into our current cultural milieu. The contemporary Western European and American literary field is awash in "isms:" Marxism, Freudianism, feminism, and so on. Most of these are the academic cousins of what is called in the common culture "Political Correctness." Literary theorists take their particular brand of criticism and apply it to literature in an effort to find self-affirmation in a "discovered" meaning of the text. For a feminist critic, for example, no longer does Andrew Marvel's "Upon Appleton House" have the beauty of the grounds as its theme; it speaks instead of the evils of a patriarchal line of inheritance. These "cultural critics," so named because they critique literature based on the point of view of a particular culture, arose in the 1960s, but their schools of criticism only truly began to pick up steam with the arrival of the school of deconstruction in the 1970s.

The works of the father of deconstruction, Jacques Derrida, began to be translated from the French by American professor Gayatri Spivak in the mid-1970s, a time when the U.S. literary scene was ripe for its influence. The economic Marxists were alive and well on Western European and American campuses, and the cultural critics were still being fed by the radicalism of the times. Feminists had gained a foothold in the earlier decade, but they had in their meagre arsenals only a vague feeling of repression. What they lacked was philosophical backing – the courage prompted by having their own logos. The arrival of deconstruction from France provided that philosophy.

At that time, that generation of academics was doing what all academics do, telling the previous generation that it had it all wrong. In this case the rebellion was against the New Critics – so-called even now, decades after their prime. The New Critics specialised in finding the meaning of texts without regard to background information such as authorial intent, a process that had "the text is everything" as its guiding principle.

The new generation of critics set out to turn that principle on its head. Instead of "the text is everything," the new generation claimed that "everything is text" and turned to analysing anything and everything in relation to the literary work. If a poet wrote a poem that included a female character, the critics would look into the poet's relationship with his mother, his wife, his sister and so on in an effort to offer up an interpretation of the work. This could have (and often did have) the positive effect of using biographic information to gain new understanding of the work; however, these new interpretations were not attempts to discern the true meaning of the work (as the New Critics had done) or even to discover the author's intended meaning (as traditional readings attempted). This new generation of critics instead became prime practitioners of what is known in literary circles as "cultural criticism." They strained to view literature from the "woman's point of view" or the "victims" or the "radical minority point of view." Their attempts were not to find meaning – they were influenced too greatly by relativists for that – but to find sexism, racism or "homophobia" in the works of male, European or heterosexual authors.

Derridean deconstruction became a tool for these cultural critics. Simply stated, deconstruction is a school of thought that posits that words have no meaning. Instead, words have "traces" of meaning. The meaning of a word is continually disappearing, leaving us with only the memory, or trace, of what that meaning once was.

Once they realised the power of this school of thought, the cultural critics embraced it readily, for here they discovered a method of attack on the traditional interpretations of

literary works. They used deconstruction to remove traditional meaning and replaced it with new meaning. That meaning was the Political Correctness that infests our society today. For example, after the traditional meaning of "How Do I Love Thee?" has been destabilised in the process described above, a feminist critic might come along and - in the absence of a stable traditional interpretation - declare that the poem is "really" concerned with how women in nineteenth-century England were conditioned to see themselves as secondary to men.

The intelligentsia had forgotten its literature in its haste to promote its politics.

Unfortunately, that has not stopped the cultural critics from indoctrinating this new generation in feminist interpretation, Marxist philosophy and so-called "queer theory." Requirements for reading Shakespeare, Milton, Chaucer, and other dead white males are disappearing, to be replaced by options to take studies in "The Roles of Women in the Renaissance" (an excuse to lament the sexism of the past) or "The Bible as Literature" (a course designed to denigrate the Bible as cleverly crafted fiction instead of God's truth).

The reliable saviour of the intelligentsia is the common man and his common sense. Common sense dictates that words do mean things, and as deconstruction posits otherwise it will be relegated to the margins of society. Sadly, its effects will linger on - it has given a sense of validity to cultural criticism and established a marketplace for its ideas.

Radical Feminism and Political Correctness

Perhaps no aspect of Political Correctness is more prominent in Western European life today than feminist ideology. Is feminism, like the rest of Political Correctness, based on the cultural Marxism imported from Germany in the 1930s? While feminism's history in Western Europe certainly extends longer than sixty years, its flowering in recent decades has been interwoven with the unfolding social revolution carried forward by cultural Marxists.

Where do we see radical feminism ascendant? It is on television, where nearly every major offering has a female "power figure" and the plots and characters emphasise inferiority of the male and superiority of the female. It is in the military, where expanding opportunity for women, even in combat positions, has been accompanied by double standards and then lowered standards, as well as by a decline in enlistment of young men, while "warriors" in the services are leaving in droves. It is in government-mandated employment preferences and practices that benefit women and use "sexual harassment" charges to keep men in line. It is in colleges where women's gender studies proliferate and "affirmative action" is applied in admissions and employment. It is in other employment, public and private, where in addition to affirmative action, "sensitivity training" is given unprecedented time and attention. It is in public schools, where "self awareness" and "self-esteem" are increasingly promoted while academic learning declines. And sadly, we see that several European countries allow and fund free distribution of contraceptive pills combined with liberal abortion policies.

While the radical feminist movement is embraced by present day Political Correctness ideology, derived from cultural Marxism, feminism as such does have earlier roots. Feminism was conceived and birthed in the 1830s, in the generation experiencing the first stage of the industrial revolution. Women, who for centuries had shared the challenges of surviving in an agrarian life, were becoming part of a middle-class gentry with more time and energy to spend writing newspaper articles and novels for their "sisters." The initial stages of the feminisation of European culture had started.

These feminists, radical in their time, supported women's rights, egalitarianism, anti-colonialism, pacifism and other causes which we now observe in popular culture. In contrast to today's radical feminists, social feminists of the 1890s and early 20th century were of a less totalitarian character. They stood for women's suffrage but also advocated the strengthening of the family.

Today, the feminisation of European culture, moving rapidly since the 1960s continues to intensify. Indeed, the present-day radical feminist assault through support for mass Muslim immigration has a political parallel to their anti-colonial efforts. This current assault is in part a continuation of a century-old effort to destroy traditional European structures, the very foundation of European culture.

There is no doubt in the media that the "man of today" is expected to be a touchy-feely subspecies who bows to the radical feminist agenda. He is a staple of Hollywood, the television network sitcoms and movies, and the political pundits of talk shows. The feminisation is becoming so noticeable that newspapers and magazines are picking up on it. For example, the Washington Times and National Review magazine combined to tell us that "behind the breezy celebration of 'guy stuff' in today's men's magazine lurks a crisis of confidence. What does it mean to be masculine in the 90s?" It is revealed that today's men's magazines (Esquire, GQ, Men's Health, Men's Fitness, Men's Journal, Details, Maxim, Men's Perspective) "are all geared to a new feminised man..." Some examples? The old masculine attitude toward personal appearance is disappearing. If memory serves, our fathers' acts of personal upkeep were mostly limited to shaving and putting on a tie. According to Lowry:

It's hard to imagine [them] interested in articles on 'A Flat Belly for the Beach' (Verge), or the three new men's fragrances for the fall season (GQ), or even 'The New Fall Suit' (Esquire). But somewhere along the line men became less concerned with being strong and silent, and more worried about making themselves pretty.

Indeed the feminisation of European culture is nearly completed. And the last bastion of male domination, the police force and the military, is under assault.

If this "feminisation" trend were driven only by radical feminists seeking to pull down a perceived male-dominated hierarchy, there would be more hope that the cycles of history would move Europe toward a stable accommodation between men and women. But the drive is deeper, and it will not be satisfied by any accommodation. The radical feminists have embraced and been embraced by the wider and deeper movement of cultural Marxism. For dedicated Marxists, the strategy is to attack at every point where an apparent disparity leaves a potential constituency of "oppressed" victim groups – Muslims, women etc. Cultural Marxists, men and women, are making the most of it, and the theory developed by the Frankfurt School provides the ideology.

The Frankfurt School theorised that the authoritarian personality is a product of the patriarchal family. This idea is in turn directly connected to Engels's *The Origins of the Family, Private Property and the State*, which promotes matriarchy. Furthermore, it was Karl Marx who wrote in *The Communist Manifesto* about the radical notion of a "community of women." He also, in 1845, wrote disparagingly in his *The German Ideology* of the idea that the family was the basic unit of society.

The concept of the "authoritarian personality" is not just to be interpreted as a model for the conduct of warfare against prejudice as such. It is a handbook for psychological warfare against the European male, to render him unwilling to defend traditional beliefs and values. In other words, the aim was to emasculate him. Undoubtedly the Institute for Social Research at Frankfurt University meant this, as it used the term "psychological techniques for changing personality."

The "authoritarian personality," studied in the 1940s and 1950s by Western Europeans and American followers of the Frankfurt School, prepared the way for such psychological warfare against the male gender role. The aim was promoted by Herbert Marcuse and others under the guise of "women's liberation" and in the New Left movement in the 1960s. Evidence that psychological techniques for changing personality are intended to focus in particular on the emasculation of the European male has also been provided by Abraham Maslow, founder of "third force humanist psychology" and promoter of psychotherapeutic techniques in public school classrooms. He wrote that "the next step in personal evolution is a transcendence of both masculinity and femininity to general humanness."

Cultural Marxist stalwarts apparently know exactly what they want to do and how they plan to do it. They have actually already succeeded in accomplishing much of their agenda.

How did this situation come about in European universities? Gertrude Himmelfarb has observed that it slipped past traditional academics almost unobserved until it was too late. It occurred so "quietly" that when they "looked up", postmodernism was upon them with a vengeance. "They were surrounded by such a tidal wave of multicultural subjects such as radical feminism, deconstructed relativism as history and other courses" which undermine the perpetuation of Western civilisation. Indeed, this tidal wave slipped by just as Antonio Gramsci and the Frankfurt School had envisioned – a quiet revolution propagating a European hate ideology with the goal of destroying Western civilisation and which was: anti-God, anti-Christian, anti-family, anti-nationalist, anti-patriot, anti conservative, anti-hereditarian, anti-ethnocentric, anti-masculine, anti-tradition, and anti-morality.

"Cultural Marxism," as preached by the Frankfurt School has thus spurred the widely popular and destructive concepts of "affirmative action," "multiculturalism" and "diversity." One can't escape these terms today. These concepts have destroyed every defensive structure of European society which has laid the foundation for the Islamisation of Europe.

Conclusions

Critical Theory as applied mass psychology has led to the deconstruction of gender in the European culture. Following Critical Theory, the distinction between masculinity and femininity will disappear. The traditional roles of the mothers and fathers are to be dissolved so that patriarchy will be ended. Children are not to be raised according to their biological genders and gender roles according to their biological differences. This reflects the Frankfurt School rationale for the disintegration of the traditional family.

Thus, one of the basic tenets of Critical Theory was the necessity to break down the traditional family. The Frankfurt School scholars preached:

Even a partial breakdown of parental authority in the family might tend to increase the readiness of a coming generation to accept social change.

The transformation of European culture envisioned by the cultural Marxists goes further than pursuing gender equality. Embodied in their agenda is "matriarchal theory," under which they purport to transform European culture to be female-dominated. This is a direct throwback to Wilhelm Reich, a Frankfurt School member who considered

matriarchal theory in psychoanalytic terms. In 1933, he wrote in "The Mass Psychology of Fascism" that matriarchy was the only genuine family type of "natural society."

Richard Bernstein has written in his book on multiculturalism, "the Marxist revolutionary process for the past several decades in Europe and America has centered on race and sex warfare rather than class warfare" as in earlier times. This reflects a scheme more total than economics to restructure the society. As the social revolutionaries readily proclaim, their purpose is to destroy the hegemony of white males. To accomplish this, all barriers to the introduction of more women and minorities throughout the "power structure" are to be brought down by all means available. Laws and lawsuits, intimidation, and demonising of white males as racists and sexists are pursued through the mass media and the universities. The psycho-dynamic of the revolutionary process aims for psychic disempowerment – decapitation – of those who oppose.

The US's founders recognised three primal values in the Declaration of Independence, and they ranked them properly: Life, liberty, and the pursuit of happiness.

If the order of these fundamental human rights is switched – with happiness before liberty or liberty before life – we come to moral chaos and social anarchy.

This very condition is what Judge Robert Bork describes as "modern liberalism." He defines its characteristics as "'radical egalitarianism' (equality of outcomes rather than of opportunities) and 'radical individualism' (the drastic reduction of limits to personal gratification)."

Judge Bork also identifies radical feminism as "the most destructive and fanatical" element of this modern liberalism. He further describes radical feminism as "totalitarian in spirit."

Most Western Europeans and Americans do not realise that they, through their institutions, are being led by social revolutionaries who think in terms of the continuing destruction of the existing social order in order to create a new one. The revolutionaries are New Age Elite Boomers. They now control the public institutions in Western Europe and the United States. Their "quiet" revolution, beginning with the counter-culture revolution of their youth, is nearing completion. A key, or even a dominant element because purportedly it represents that largest political and social constituency among their potential followers, is feminism. The Marxist movement in its "quiet" cultural latter-day phase is seemingly sweeping all before it. With its sway over the media, fully in the grip of feminism, it is hard to discern the stirrings of a counter-culture. The current cultural Marxist/multiculturalist elites, the New Totalitarians, are the most dangerous generation in Western history. Not only have they managed to destroy fundamental structures of European society. They are allowing millions of Muslims to colonise Europe. In just five decades Muslim populations have increased from a few thousand to more than 25 million.

WESTERN EUROPE The de-construction Project continues

"Our (the multiculturalist elites of Europe) most important task ahead is to deconstruct the majority, and we must deconstruct them so thoroughly that they will never be able to call themselves the majority again."

Professor Thomas H. Eriksen
University of Oslo



Who will rise to challenge Political Correctness? The fate of European civilisation depends on European men steadfastly resisting Politically Correct feminism. Even more, they must resourcefully oppose the wider grip of Political Correctness, the cultural Marxism for which radical feminism is only one avenue of attack.

Further Readings on the Frankfurt School

This is the sixth and final chapter in the Free Congress Foundation's book on Political Correctness, or – to call it by its real name – cultural Marxism. It is a short bibliographical essay intended not as an exhaustive resource for scholars but as a guide for interested citizens who want to learn more about the ideology that is taking over Western Europe and America.

To understand Political Correctness or so called cultural Marxism and the threat it poses it is necessary to understand its history, particularly the history of the institution most responsible for creating it, the Frankfurt School. The Frankfurt School, or the Institute for Social Research as it was formally known, was established at Frankfurt University in Germany in 1923. This fact alone is important, because it tells us that Political Correctness is not merely a leftover of the European student rebellions of the 1960s and 1970s.

Another fact from that long-ago year, 1923, is equally significant: the intended name for the Frankfurt School was the Institute for Marxism. The Institute's father and funder, Felix Weil, wrote in 1971 that he "wanted the Institute to become known, and perhaps famous, due to its contributions to Marxism as a scientific discipline..." Beginning a tradition Political Correctness still carries on, Weil and others decided that they could operate more effectively if they concealed their Marxism; hence, on reflection, they chose the neutral-sounding name, the Institute for Social Research (Institut für Sozialforschung). But "Weil's heartfelt wish was still to create a foundation similar to the Marx-Engels Institute in Moscow – equipped with a staff of professors and students, with libraries and archives – and one day to present it to a German Soviet Republic." In 1933, this disguised "Institute for Marxism" left Germany and reestablished itself in New York City, where in time it shifted its focus to injecting its ideology into Western European and American society.

The most readable English-language history of the Frankfurt School is Martin Jay's book, *The Dialectical Imagination: A History of the Frankfurt School and the Institute for Social Research, 1932 - 1950* (University of California Press, Berkeley, CA, 1973 – new edition in 1996). This book is in print in paperback and can be ordered through any bookstore. The reader should be aware that Jay's book is, in the words of another work on the Frankfurt School, a "semiofficial" history, which is to say that it is largely uncritical. Like virtually all other English-language authors on the Institute, Jay is on the political left. Nonetheless, the book provides a solid factual introduction to the Frankfurt School, and the reader should have little trouble discerning in it the roots and origins of today's Political Correctness.

In his first chapter, "The Creation of the Institut für Sozialforschung and Its First Frankfurt Years," Jay lays bare the Institute's Marxist origins and nature, and equally its efforts to conceal both: "The original idea of calling it the Institut für Marxismus (Institute for Marxism) was abandoned as too provocative, and a more Aesopian alternative was sought (not for the last time in the Frankfurt School's history)." Of the Institute's first director, Carl Grünberg, Jay writes, "Grünberg concluded his opening address by clearly stating his personal allegiance to Marxism as a scientific methodology. Just as liberalism, state socialism, and the historical school had institutional homes elsewhere, so Marxism would be the ruling principle at the Institut." Jay's first chapter also introduces the Institute's critical shift that laid the basis for today's Political Correctness, a.k.a. cultural Marxism: "if it can be said that in early years of its history the Institut concerned itself primarily with an analysis of bourgeois society's socio-economic substructure, in the years after 1930 its prime interest lay in its cultural superstructure."

The second chapter, "The Genius of Critical Theory," gets at the heart of the "Critical Studies" departments that now serve as the founts of Political Correctness on college campuses. All of these are branches and descendants of the Critical Theory first developed in the 1930s by the Frankfurt School. The term "Critical Theory" is itself something of a play on words. One is tempted to ask, "OK, what is the theory?" The answer is, "The theory is to criticise." Jay writes, "Critical Theory, as its name implies, was expressed through a series of critiques of other thinkers and philosophical traditions...Only by confronting it in its own terms, as a gadfly of other systems, can it be fully understood." The goal of Critical Theory was not truth, but praxis, or revolutionary action: bringing the current society and culture down through unremitting, destructive criticism. According to Jay, "The true object of Marxism, Horkheimer argued (Max Horkheimer succeeded Carl Grünberg as director of the Institute in July, 1930), was not the uncovering of immutable truths, but the fostering of social change."

The central question facing the Institute in the early 1930s was how to apply Marxism to the culture. The title of Jay's third chapter gives the answer: "The Integration of Psychoanalysis." Here, Jay's book falls down to some extent, in that it does not offer a clear understanding of how the Institute integrated Marx and Freud. The answer appears to be that Freud's later critiques were made conditional on a capitalist, bourgeois order: a revolutionary, post-capitalist society could "liberate" man from his Freudian repression. Here again one sees key aspects of Political Correctness emerging, including a demand for sexual "liberation" and the attack on "patriarchal" Western culture.

If the precise nature of the blending of Marx and Freud is left open by Jay, his next chapter makes the blend's application clear: "The Institute's First Studies of Authority." The Institute left Germany for New York in 1933 because the Nazis came to power in Germany. Not surprisingly, one of the Institute's first tasks in New York was to oppose Nazism. It did so largely by concocting a psychological "test" for an "authoritarian personality." Supposedly, people with this authoritarian personality were likely to support Nazism. Both the concept and the methodology were doubtful at best. But the Institute's work laid down an important tool for the left, namely a notion that anyone on the right was psychologically unbalanced. And it marked a key turning for the Institute in the birth of Political Correctness in Western Europe and America, in that the empirical research the studies demanded was done on Western Europeans and Americans. Ultimately, the result was Institute member Theodor Adorno's vastly influential book, *The Authoritarian Personality*, published in 1950.

Jay's fifth chapter, "The Institute's Analysis of Nazism," continues the theme of the "authoritarian personality." But his sixth, "Aesthetic Theory and the Critique of Mass Culture," provides an answer to the question of why most "serious" modern art and music is so awful. It is intended to be. Theodor Adorno was the Institute's lead figure on high culture – he began life as a music critic and promoter of Schönberg – and his view was that in the face of the "repressiveness" of bourgeois society, art could only be "true" if it were alienating, reflecting the alienated society around it. Jay quotes Adorno: "A successful work is not one which resolves objective contradictions in a spurious harmony, but one which expresses the idea of harmony negatively by embodying the contradictions, pure and uncompromised, in its innermost structure."

Adorno despised the new mass culture – film, radio, and jazz – in what seems to be a case of missed opportunity: today, the entertainment industry is the single most powerful promoter of Political Correctness. Another key Frankfurt School figure, Walter Benjamin, did see the potential: "he paradoxically held out hope for the progressive potential of politicised, collectivised art." At some point, someone – the question of who lies beyond the boundaries of Jay's book – put Benjamin's perception together with the Frankfurt School's general view, which Jay summarises as "the Institut came to feel that the culture industry enslaved men in far more subtle and effective ways than the crude methods of domination practiced in earlier eras."

In the remainder of the book, Jay traces the (sort of) empirical work of the Institute in the 1940s, which was beset by the same problems as their earlier survey "research," and follows the Institute in its return to Frankfurt, Germany after World War II. But by this point, the reader will already have the picture. He will have seen how Marxism was translated from economic into cultural terms; discerned the themes of sexual liberation, feminism, "victims" and so on that make up today's Political Correctness; and found in Critical Theory the origins of the endless wailing about "racism, sexism and homophobia" that "PC" pours forth. One key piece of history is missing: "an analysis of Marcuse's influential transmission of the Frankfurt School's work to a new Western European and American audience in the 1960s," as Jay puts it in his epilogue. Also, Jay curiously passes over with only the most minimal discussion the effective move of the Institute, in the persons of Horkheimer and Adorno, to Los Angeles during the war. Did the connections they built there play any role in injecting the Frankfurt School's philosophy into Western European and American film and, after the war, television? Jay does not touch upon the subject.

But for the reader new to the Frankfurt School as the source of today's Political Correctness, Jay's *The Dialectical Imagination* offers a solid base. The book concludes with an extensive (though not annotated) bibliography of works by and about the Frankfurt School.

As to other accessible works about the Frankfurt School, the definitive modern work in German has recently been translated into English: *The Frankfurt School: Its History, Theories and Political Significance* by Rolf Wiggershaus, (translated by Michael Robertson, The MIT Press, Cambridge, MA, first paperback edition 1995). This covers much of the same ground as Martin Jay's book, although it also follows the Institute from its post-war return to Germany up to Adorno's death in 1969. Wiggershaus is more detailed than Jay, and, although he too is on the left politically, he is more critical than Jay. In the book's Afterword, Wiggershaus offers a brief look (and a hostile one) at some German conservative critiques of the Frankfurt School. A picture emerges that will seem familiar to Western Europeans and Americans entrapped in the coils of Political Correctness:

Since the publication in 1970 of his book *The Poverty of Critical Theory*, Rohrmoser has promulgated, in constantly varying forms, the view that Marcuse, Adorno, and Horkheimer were the terrorists' intellectual foster-parents, who were using Cultural Revolution to destroy the traditions of the Christian West. Academics such as Ernst Topitsch and Kurt Sontheimer, who saw themselves as educators and liberal democrats, followed in Rohrmoser's footsteps. In 1972 Topitsch, a critical rationalist who was Professor of Philosophy in Graz, had stated that behind the slogans of "rational discussion" and "dialogue free of domination" there was being established at the universities "a distinct terrorism of political convictions such as never existed before, even under Nazi tyranny."

Additional works on the Frankfurt School

- *The Frankfurt School* by T.B. Bottomore (Tavistock, London, 1984). Another history written by a sympathiser; you are better off with Jay or Wiggershaus.
- "The New Dark Age: The Frankfurt School and 'Political Correctness'" by Michael Minnicino, in *Fidelio*, Vol. 1, No. 1, Winter 1992 (KMW Publishing, Washington, DC) One of the few looks at the Frankfurt School by someone not a sympathiser, this long journal article explains the role of the Institute for Social Research in creating the ideology we now know as "Political Correctness." Unfortunately, its value is reduced by some digressions that lack credibility.

- *Angela Davis: An Autobiography* by Angela Davis (Random House, New York 1974) Angela Davis, a leading American black radical and Communist Party member, was described by Frankfurt School member Herbert Marcuse as "my best student." She also studied in Frankfurt under Adorno. This book shows the link between the Institute for Social Research and the New Left of the 1960s through the eyes of a key participant.
- *The Young Lukacs and the Origins of Western Marxism* by Andrew Arato (Seabury Press, New York, 1979). The author is, as usual, a sympathiser, but this work shows the key role Lukacs played in the thinking of the Frankfurt School and, later, the New Left.
- *The Origin of Negative Dialectics: Theodor W. Adorno, Walter Benjamin and the Frankfurt Institute* by Susan Buck-Morss (Free Press, New York, 1977). An important book on the relationship of the Frankfurt School and Critical Theory to the New Left.
- *Introduction to Critical Theory: Horkheimer to Habermas* by David Held (University of California Press, Berkeley, 1980). Yet another history by a fan of the Frankfurt School, but valuable for its discussion of the impact of Nietzsche on key Frankfurt School figures.
- *Adorno: A Political Biography* by Lorenz Jäger (translated by Stewart Spencer, Yale University Press, New Haven, 2004) This recent study of Theodor Adorno, the Frankfurt School's most important "creative spirit," offers a highly readable introduction to the origins of Political Correctness, perhaps the best available to the layman. Lorenz Jäger is an editor of the *Frankfurter Allgemeine*, one of Germany's most influential newspapers. He is no uncritical admirer of the Frankfurt School, and thus offers a balanced treatment of Adorno instead of the usual hagiography.

Beyond these secondary works lies the vast literature produced by members of the Frankfurt School itself. Some key works were written in English, and many of those written in German are available in translation. As is usually the case with Marxist works, the prose style and vocabulary are often so convoluted as to make them almost unreadable. Further, the refusal of the Frankfurt School to make its own future vision plain led many of its members to write in aphorisms, which adds yet another layer of impenetrableness.

One work, however, is of such importance that it must be recommended despite its difficulty: *Eros and Civilisation* by Herbert Marcuse (Beacon Press, Boston, first paperback edition in 1974 and still in print). Subtitled *A Philosophical Inquiry into Freud*, this book holds center stage for two reasons. First, it completes the task of integrating Marx and Freud. While the Marxism is *sotto voce*, the whole framework of the book is in fact Marxist, and it is through the framework that Freud is considered. Second, *Eros and Civilisation* and its author were the key means of transmission by which the intellectual work of the Frankfurt School was injected into the student rebellion of the 1960s. This book became the bible of the young radicals who took over Western European and America's college campuses from 1965 onward, and who are still there as faculty members.

In brief, *Eros and Civilisation* urges total rebellion against traditional Western culture – the "Great Refusal" – and promises a Candyland utopia of free sex and no work to those who join the revolution. About two-thirds of the way through the book, Marcuse offers this summary of its arguments:

Our definition of the specific historical character of the established reality principle led to a re-examination of what Freud considered to be universal validity. We questioned this validity in view of the historical possibility of the abolition of the repressive controls imposed by civilisation. The very achievements of this civilisation seemed to make the performance principle obsolete, to make the repressive utilisation of the instincts archaic.

But the idea of a non-repressive civilisation on the basis of the achievements of the performance principle encountered the argument that instinctual liberation (and consequently total liberation) would explode civilisation itself, since the latter is sustained only through renunciation and work (labour) – in other words, through the repressive utilisation of instinctual energy. Freed from these constraints, man would exist without work and without order; he would fall back into nature, which would destroy culture. To meet this argument, we recalled certain archetypes of imagination which, in contrast to the culture-heroes of repressive productivity, symbolised creative receptivity. These archetypes envisioned the fulfilment of man and nature, not through domination and exploitation, but through release of inherent libidinal forces. We then set ourselves the task of “verifying” these symbols – that is to say, demonstrating their truth value as symbols of a reality beyond the performance principle. We thought that the representative content of the Orphic and Narcissistic images was the erotic reconciliation (union) of man and nature in the aesthetic attitude, where order is beauty and work is play.

Marcuse continues after this summary to lay out the erotic content of the “reality beyond the performance principle,” i.e., a new civilisation where work and productivity were unimportant. “The basic experience in this (aesthetic) dimension is sensuous rather than conceptual,” that is, feelings are more important than logic: “The discipline of aesthetics installs the order of sensuousness as against the order of reason.”

“In German, sensuousness and sensuality are still rendered by one and the same term: Sinnlichkeit. It connotes instinctual (especially sexual) gratification... No longer used as a full-time instrument of labour, the body would be re-sexualised... (which) would first manifest itself in a reactivation of all erotogenic zones and, consequently, in a resurgence of pre-genital polymorphous sexuality and in a decline of genital supremacy. The body in its entirety would become an object of cathexis, a thing to be enjoyed – an instrument of pleasure. This change in the value and scope of libidinal relations would lead to a disintegration of the institutions in which the private interpersonal relations have been organised, particularly the monogamic and patriarchal family.”

This in a book which Marcuse dedicated to Sophie Marcuse, his wife of fifty years!

It is easy to see how this message – “If it feels good, do it” – published in 1955 resonated with the student rebels of the 1960s. Marcuse understood what most of the rest of his Frankfurt School colleagues did not: the way to destroy Western civilisation – the objective set forth by George Lukacs in 1919 – was not through abstruse theory, but through sex, drugs, and rock ‘n’ roll. Marcuse wrote other works for the new generation that spawned the New Left – *One Dimensional Man* (1964), *Critique of Pure Tolerance* (1965), *An Essay on Liberation* (1969), *Counterrevolution and Revolt* (1972). But *Eros and Civilisation* was and remains the key work, the one that put the match to the tinder.

Other central works by members of the Frankfurt School include:

- *The Authoritarian Personality* by Theodor Adorno (Harper, New York, 1950). This book is the basis for everything that followed that portrayed conservatism as a psychological defect. It had enormous impact, not least on education theory.
- *Dialectic of Enlightenment* by Theodor Adorno and Max Horkheimer (trans. By John Cumming, Verso, London, 1979). A complex philosophical work written during World War II largely in response to Nazism (and extensively devoted to discussions of anti-Semitism), this work seeks to find a kernel of “liberating” reason in the ruins of the Enlightenment.

- *Minima Moralia: Reflections from a Damaged Life* by Theodor Adorno (trans. E.F.N. Jophcott, New Left Books, London, 1974). A book of aphorisms, almost entirely incomprehensible, but the effective conclusion of Adorno's work.
- *Escape from Freedom* by Erich Fromm (Farrar & Rinehart, New York, 1941, still in print in paperback) Fromm was the Institute's "happy face," and this book was often required reading at colleges in the 1960s. The thesis is that man's nature causes him to throw his freedom away and embrace fascism unless he "masters society and subordinates the economic machine to the purposes of human happiness," i.e., adopts socialism. At this point Fromm was in the process of breaking away from the Institute and his subsequent works cannot be considered as part of the Frankfurt School corpus.
- *Eclipse of Reason* (Oxford University Press, New York, 1947). Essentially a sequel to *Dialectic of Enlightenment*, the book is heavily the work of Adorno and other Frankfurt School personages, although only Horkheimer's name appeared on it. Its contents are based on a series of lectures Horkheimer gave at Columbia University in 1944. The prose style is surprisingly readable, but the contents are odd; there is throughout a strong nostalgia, which was normally anathema to the Frankfurt School. The key chapter, "The Revolt of Nature," reflects a strange Retro anarchism: "The victory of civilisation is too complete to be true. Therefore, adjustment in our times involves an element of resentment and suppressed fury."
- *Critical Theory: Selected Essays* by Max Horkheimer (trans. Matthew O'Connell, Seabury Press, New York, 1972). The essay, "Traditional and Critical Theory" is especially important.

This small bibliography will be enough to get an interested reader started; the full literature on and by the Frankfurt School is immense, as the bibliographies in Jay's and Wiggershaus's books attest. What has been missing from it, at least in English, is a readable book, written for the layman, that explains the Frankfurt School and its works in terms of the creation of Political Correctness. This short volume is at least a start in filling that gap.

Source:

http://en.wikipedia.org/wiki/Frankfurt_School
<http://www.freecongress.org/centers/cc/pcessay.aspx>

1. What you need to know, our falsified history and other forms of cultural Marxist/multiculturalist propaganda (Book 1)

History, Marxism and Islam – What your government, the academia and the media are hiding from you. Revisionism based on appeasement and anti-European thinking.

“Who controls the present, controls the past.”

George Orwell

1.1 Historical revisionism (negationism)

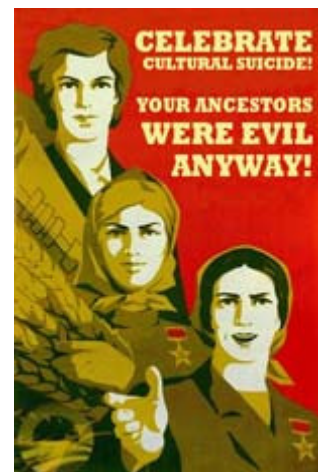
Historical revisionism is the attempt to change commonly held ideas about the past[1]. Negationism is the denial of historic crimes.

From; *Islam and the West*, Bernard Lewis:

We live in a time when great efforts have been made, and continue to be made, to falsify the record of the past and to make history a tool of propaganda; when governments, religious movements, political parties, and sectional groups of every kind are busy rewriting history as they would wish it to have been, as they would like their followers to believe that it was. All this is very dangerous indeed, to ourselves and to others, however we may define otherness -- dangerous to our common humanity. Because, make no mistake, those who are unwilling to confront the past will be unable to understand the present and unfit to face the future.

Ironically though, this harsh criticism of state sanctioned revisionism comes from an Armenian Genocide denier who has downplayed the brutality of the Ottoman Empire considerably. However, Lewis is seen as a moderate Orientalist frequently sought by many mainstream policy makers including the current Bush administration.

Given the ignorance with which it is treated, the history of the last 1400 year Islamic Jihad against non-Muslims and Europe comprises one of the most radical forms of historical negationism. The First chapter of this book is therefore dedicated in memory of this ongoing Jihad. We must strive to combat and reverse state sanctioned falsification process by preparing for the time when the true history of Islam will be re-introduced. When our current European regimes fall (and our current systems based on multiculturalism will collapse) within the next 150 years it will allow us to once again re-introduce and make use of the true history of Islam, including: Islamic history, Islamic jurisprudence, and true descriptions of Jihad, Dhimmitude and other falsified aspects of Islam. The essential aim of this is to prevent historical amnesia by preserving this true uncensored history.



Since the creation of Islam in the 7th century and to up to this day, the Islamic Jihad has systematically killed more than 300 million non Muslims and tortured and enslaved more than 500 million individuals. Since 9/11 2001, more than 12 000 Jihadi terrorist attacks have occurred around the world which have led to the death of one or more non-Muslims [2] per attack. In other words; there are around 150 deadly Jihadi attacks per month around the world. This trend will continue as long as there are non-Muslim targets available and as long as Islam continues to exist.

I must admit, when I first started the study on Islamic history and Islamic atrocities more than 3 years ago I really had my doubts about the "politically correct" information available. I started to scratch the surface and I was shocked as I uncovered the vast amount of "ugly, unknown" truths concerning Islamic atrocities. There is a common misconception regarding Islam and Christianity. A lot of people believe today that Christianity still is and was as evil as Islam?! I can attest to the fact that this is absolutely incorrect. Jihadi motivated killings, torture and enslavement count for more than 10 times as Christian motivated killings. However, the politically correct Western establishments want us to think otherwise.

The essence of multiculturalism is that all cultures and religions are "equal". In this context our Western governments launched a great "campaign of deception" against their own people with the goal of creating a falsified version of the Islamic and European Civilisation, in order to make them equal. According to them, this is needed in order to successfully implement multiculturalism. Islamists, Arab Nationalists and Marxist theorists have been at the forefront of falsifying our history since WW2. Especially Edward Said's book *Orientalism* published in 1978, have been the driving force in this process.

In the past, Europe has had a stereotypical view of Islam just as Islam has had a stereotypical view of us - and these views are largely hostile. For century after century Islam was an enormous threat to what might loosely be called Christendom. It shaped every aspect of European history and was directly responsible for Europe's colonial empires. Up till around 1750 they were a dangerous and direct competitor to our interests. Gibbon writing in the 1780s was the first to think that the danger had passed. On a local scale the threat lasted even longer. Barbary pirates ravaged the coast of England up till the 1830s carting off coastal villages into slavery and at even later dates on the west coast of Ireland and Iceland. And this was at the height of the British Empire. More than 1,5 million Europeans have been enslaved since the first Jihadi invasion of Andalusia, most of which were brought to North Africa.

Encyclopedia Britannica

Fact: Encyclopedia Britannica was first published in 1768. The contributors often came from other countries and included some of the world's most respected authorities in their fields.

Western state sanctioned negationism or "politically motivated historical revisionism" on the subject of Islam started for the first time in Great Britain in the late 19th century. The process was politically motivated with the goal of creating a good foundation for British-Muslim cooperation and trade.

During the Russo-Turkish War[3], Russia succeeded in defeating the Islamic Ottoman Empire. In 1878, after the "Congress of Berlin[4]", Disraeli-Great Britain decided to strike a deal with the Ottomans promising to protect them militarily from Russia for "thirty

pieces of silver" which in this case was Cyprus. In order to improve British-Ottoman relationships it was decided to introduce a wide scale revision of Encyclopedia Britannica (10th edition and onward) and other source materials which up to then had described Islam, Muslims and Islamic practices as "evil". This was the beginning of the official European historical falsification process.

To understand this we need to study British-Russian relations:

The super power of the 19th century, Great Britain, waged a "territorial war" with the other potential super power: Russia. Where interests of the two crossed was - Balkans (then under Turkish occupation).

It would be most natural that Russia should have the influence in the area. Most of the subdued Balkan nations (Serbs, Greeks, Rumanians, and Bulgarians) are Eastern Orthodox - like Russians. That did not fit British interests. That is how Britain allied itself with Turkey and invented the myth of the Muslim tolerance.

When Turks cut throats, raped women and stole children of Balkan Christians - it was OK for the Brits - it was an expression of tolerance... As long as Russians did not get influence in the Balkans.

Examples of falsification and apologist rhetoric include:

- Exaggerated claims of Muslim cultural and scientific contributions.
- The Ottoman Empire was tolerant.
- The, "Jewish experience" in the Ottoman Empire "...was a calm, peaceful, and a fruitful one..".
- Balkan Christian boys could acquire great social advancement through "recruitment" into the Ottoman devshirme system.
- The Armenian Genocide never happened. It was rather a struggle between two peoples for the possession of a single homeland.
- Muslim Andalusia (Moorish Spain) is often pointed out by Muslim apologists as a kind of multicultural wonderland, in which Jews and Christians were permitted by the Islamic government to rise through the ranks of learning and government administration.
- Jihad means personal struggle
- Islam is a religion of peace
- Christianity and Islam are equal in terms of historic atrocities
- Maronite Christians (Lebanese Christians) falsely claim to be victims.

Examples of systematic deletion/ignorance of important issues

The Western European governments have sanctioned deleting and ignoring large chunks of our history, including censorships of school curriculum's on the following fields:

- Hindu Kush, the largest Genocide in the history of man
- Armenian Genocides
- Greek Genocides
- Assyrian Genocides
- Coptic Genocides
- The past Jihads, torture and enslavement of Christians and other non-Muslim peoples in the Middle East and Asia
- The ongoing Jihads, torture and enslavement of Christian and other non-Muslim peoples or individuals in the Middle East and Asia
- Jus Primae Noctis - Officially sanctioned rape under the Ottoman Empire
- The West's unwillingness to prevent or defend Christian Lebanon against Jihadi invasions by the Global Islamic Ummah (among them many Muslim countries including Iran, Syria, Egypt, Jordan). This Jihad eventually led to the fall of the Christian state of Lebanon. In 1911 there were 80% Christians in Lebanon, today there are less than 25% left, a minority who are still being persecuted)
- What the Crusades Were Really Like
- European Slaves, Arab Masters – more than 1,5 million Europeans were enslaved

Examples of anti Western propaganda in our school curriculums

- Falsified information about the Crusades (it was a defensive campaign not offensive)
- Western colonial history (anti Western bias, this (primarily financial exploitation) was nothing compared to the 1400 years of Islamic Jihad which resulted in countless genocides of more than 300 million people, and the enslavement and forceful conversion of more than 300 million)

The above information serves as reminder why Muslim apologists and the European state falsification process has to be fought and defeated.

Unfortunately for us, more than 95% of today's Journalists, editors, publishers are pro-Eurabians (support European multiculturalism). The same goes for 85% of Western European politicians and more than 90% of EU parliamentarians.

Also, we shouldn't forget that it's the EU [5] that is the driving force behind European revisionism on Islam in Europe.

From *The Eurabia Code*:

Euro-Arab Dialogue Symposia conducted in Venice (1977) and Hamburg (1983) included recommendations that have been successfully implemented...

4. The necessity of cooperation between European and Arab specialists in order to present a positive picture of Arab-Islamic civilisation and contemporary Arab issues to the educated public in Europe.

The Euro-Arab Dialogue (EAD) is a political, economic and cultural institution designed to ensure perfect cohesion between Europeans and Arabs. Its structure was set up at conferences in Copenhagen (15 December 1973), and Paris (31 July 1974). The principal agent of this policy is the European Parliamentary Association for Euro-Arab Cooperation, founded in 1974. The other principal organs of The Dialogue are the MEDEA Institute and the European Institute of Research on Mediterranean and Euro-Arab Cooperation, created in 1995 with the backing of the European Commission.

In an interview with Jamie Glazov of Frontpage Magazine, Ye'or explained how "in domestic policy, the EAD established a close cooperation between the Arab and European media television, radio, journalists, publishing houses, academia, cultural centers, school textbooks, student and youth associations, tourism. Church interfaith dialogues were determinant in the development of this policy. Eurabia is therefore this strong Euro-Arab network of associations - a comprehensive symbiosis with cooperation and partnership on policy, economy, demography and culture."

Eurabia's driving force, the Parliamentary Association for Euro-Arab Cooperation, was created in Paris in 1974. It now has over six hundred members - from all major European political parties - active in their own national parliaments, as well as in the European parliament. France continues to be the key protagonist of this association.

One of the documents Bat Ye'or was kind enough to send me (which she mentions in the French version of her book about Eurabia but not in the English version) is the Common Strategy of the European Council - Vision of the EU for the Mediterranean Region, from June 19th 2000.

It includes many recommendations, such as:

"to elaborate partnership-building measures, notably by promoting regular consultations and exchanges of information with its Mediterranean partners, support the interconnection of infrastructure between Mediterranean partners, and between them and the EU, take all necessary measures to facilitate and encourage the involvement of civil society as well as the further development of human exchanges between the EU and the Mediterranean partners. NGOs will be encouraged to participate in cooperation at bilateral and regional levels. Particular attention will be paid to the **media and universities** [my emphasis]."

The Strategy also wants to "pursue, in order to fight intolerance, racism and xenophobia, the dialogue between cultures and civilisations."

The Algiers Declaration [11] for a Shared Vision of the Future was made after a Congress held in Algeria in February 2006. The document states that: "It is essential to create a Euro-Mediterranean entity founded on Universal Values" and that "It is crucial to positively emphasise all common cultural heritage, even if marginalised or forgotten." A Common Action Plan draws up a large number of recommendations on how to achieve this new Euro-Mediterranean entity. Among these recommendations are:

- Adapt existing organisations and the contents of media to the objectives of the North- South dialogue, and set up a Euro-Mediterranean journalism centre
- Set up a network jointly managed by the Mediterranean partners in order to develop "a harmonised education system" [*A "harmonised education system" between the Arab world and Europe? What does that include? Do I want to know? Will they tell us before it is a fait accompli?*]

These agreements, completely rewriting European history books to make them more Islam-friendly and gradually silencing "Islamophobia" as racism, are being implemented even now.

In June 2005 in Rabat [14], Morocco, a conference was held on "Fostering Dialogue among Cultures and Civilisations." The Conference was jointly organised by UNESCO, the Islamic Educational, Scientific and Cultural Organisation (ISESCO), the Organisation of the Islamic Conference (OIC), the Arab League Educational, Cultural and Scientific Organisation (ALECSO), the Danish Centre for Culture and Development (DCCD) and the Anna Lindh Euro-Mediterranean Foundation for the Dialogue between Cultures (Alexandria, Egypt).

Among the recommendations that were raised by Mr. Olaf Gerlach Hansen, Director General of the DCCD: "We are interested in new actions in the media, in culture and in education. These proposals include:

- Concrete initiatives to develop "intercultural competencies" in the training of new generations of journalists
- Concrete initiatives for links and exchanges between journalists, editors, media-institutions, which encourage intercultural co-operation"
- Concrete initiatives for curriculum development through new educational materials and revision of existing textbooks.

Although not stated directly, one may reasonably assume that among the "negative stereotypes" to be removed from the textbooks used to teach history to European schoolchildren are any and all references to the 1300 years of continuous Jihad warfare against Europe. These recommendations were accepted and incorporated into The Rabat Commitment.

The ECRI called on the EU member states to adopt measures that would effectively outlaw any serious debate about Islam and introduce pro-Muslim "affirmative action." European countries should:

- Modify curricula to prevent "distorted interpretations of religious and cultural history" and "portrayal of Islam on perceptions of hostility and menace";
- Encourage debate in the media on the image which they convey of Islam and on their responsibility to avoid perpetuating prejudice and bias.

1.2 General characteristics of European Islamic Negationism

"When a land rejects her legends, Sees but falsehoods in the past; And its people view their Sires in the light of fools and liars, 'Tis a sign of its decline and its glories cannot last. Branches that but blight their roots yield no sap for lasting fruits."

Rudyard Kipling

Europe has its own full-fledged brand of negationism: a movement to deny the large-scale and long-term crimes against humanity committed by Islam. This movement is led by Islamic apologists and Marxist academics, and followed by all the politicians, journalists and intellectuals who call themselves secularists. Similar to the Turkish negationism regarding the Armenian genocide, the European negationism regarding the terrible record of Islam is fully supported by the establishment (The EU, Western European governments). It has nearly full control of the media and dictates all state and government parlance concerning the *communal* problem (more properly to be called the Islam problem).

Its techniques are essentially the same as those of negationists elsewhere:

1. Head-on denial: The crassest form of negationism is obviously the simple denial of the facts. This is mostly done in the form of general claims, such as: *"Islam is tolerant"*, *"Islamic Spain was a model of multicultural harmony"*, *"the anti-Jewish hatred was unknown among Muslims until Zionism and anti-Semitism together entered the Muslim world from Europe"*. Since it is rare that a specific crime of Islam is brought to the public's notice, there is little occasion to come out and deny specific crimes. Exceptions are the Armenian genocide, officially denied in Turkey and the entire Muslim world.

The Rushdie affair was the occasion for negationism on a grand scale. There happens to be an unambiguous answer to the question: *"Is it Islamic to kill those who voice criticism of the Prophet?"* According to the media and most *experts*, the answer was definitely: no. According to the basic traditions of Islam, it was: yes. Mohammed as well as his immediate successors have killed critics, both in formal executions and in night-time stabbings. In Islamic law, the Prophet's example is valid precedent. At most there could be some quarrelling over the procedure: some jurists thought that Rushdie should first be kidnapped to an Islamic country and given a chance to recant before an Islamic court, though the ayatollahs have ruled that no amount of remorse can save Rushdie. If he stands by his book, even the so-called moderates think he must be killed. Islamic law punishes both apostasy and insults to the Prophet with the death penalty: twice there is no escape for Rushdie. Yet, the outside public was told by many *experts* that killing Rushdie is un-Islamic.

Flat denial will work very well if your grip on the press and education media is sufficient. Otherwise, there is a danger of being shown up as the negationist one really is. In that case, a number of softer techniques are available.

2. Ignoring the facts: This passive negationism is certainly the safest and the most popular. The media and textbook-writers simply keep the vast corpus of inconvenient testimony out of the readers' view. This includes most of the information about the systematic slaughter, torture and enslavement of non-Muslims in historical and present context (including Genocides and Dhimmitude), demographic developments which show the systematic and gradual Muslim takeover of societies (Including Kosovo, Lebanon and now in many Western European countries) and al-Taqiyya/ketman – Ummah - Quranic abrogation and Jihads importance in Islam. Other essential facts are also ignored like Saudi Arabia's role in spreading traditional Islam (so called Islamic theofascism or Wahhabism which the Eurabians like to refer to it). They have failed to inform the people of Europe that Saudi Arabia have spent more than 87 billion USD abroad the past two decades propagating "true Islam". The bulk of this funding goes to the construction and operating expenses of thousands of mosques, madrassas and Muslim cultural centers throughout the world. These Islamic institutions are now found in every single country in the West - all over Western Europe.

3. Minimising the facts: If the inconvenient fact is pointed out that numerous Muslim chroniclers have reported a given massacre of unbelievers themselves, one

can posit a priori that they must have exaggerated to flatter their patron's martial vanity - as if it is not significant enough that Muslim rulers felt flattered by being described as mass-murderers of infidels.

Apart from minimising the absolute size of Islamic crimes, there is the popular technique of relative minimising: make the facts look smaller by comparing them with other, carefully selected *facts*. Thus, one can say that "*all religions are intolerant*", which sounds plausible to many though it is patently false: in the Roman Empire only those sects were persecuted which had political ambitions (Jews when they fought for independence, Christians because they sought to take over the Empire and outlaw all other religions, as they effectively did), while the others enjoyed the status of *religio licita*; similarly with the Persian Empire and many other states and cultures.

An oft-invoked counterweight for the charge-sheet against Islam, is the fanaticism record of Christianity. It is indeed well-known that Christianity has been guilty of numerous temple destructions and persecutions. But the reason for this fanaticism is found in the common theological foundation of both religions: exclusivist prophetic monotheism. The case against Christianity is at once a case against Islam. Moreover, in spite of its theologically motivated tendency to intolerance, Christianity has had to go through the experience of "live and let live" because in its formative period, it was but one of the numerous sects in the pluralist Roman Empire.

Islam never had this experience, and in order to bring out its full potential of fanaticism, Christianity has needed the influence of Islam on a few occasions. Thus, it is no coincidence that Charlemagne, who defeated the Saxons by force, was the grandson of Charles Martel, who defeated the Islamic army in Poitiers; no coincidence either that the Teutonic knights who forcibly converted the Balts, were veterans of the Crusades, i.e. the campaign to liberate Palestine from Islam; nor is it a coincidence that the Spanish Inquisition emerged in a country that had needed centuries to shake off Islamic oppression. Finally, Christianity is, by and large, facing the facts of its own history, though it's still struggling with the need to own up the responsibility for these facts.

An even more general way of drowning Islamic fanaticism in relativist comparisons is to point out that after all - every imperialistically motivated war has been less than gentle. That may well be true, but then, we are not setting up cults for the Genghis Khans of this world. A religion should contribute to man's transcending his natural defects like greed and cruelty, and not sanction and glorify them.

4. Whitewashing: When one cannot conceal, deny or minimise the facts, one can still claim that on closer analysis, they are not as bad as they seem. One can call right what is obviously wrong. This can go very far, e.g. in his biography of Mohammed, Maxime Rodinson declared unashamedly that the extermination of the Medinese Jews by Mohammed was *doubtlessly the best solution*. In numerous popular introductions to Islam, the fact that Islam imposes the death penalty on apostates (in modern terminology: that Islam opposes freedom of religion in the most radical manner) is acknowledged; but then it is explained that "*since Islam was at war with the polytheists, apostasy equalled treason and desertion, something which is still punished with death in our secular society*". All right, but the point is precisely that Islam chose to be at war with the traditional religion of Arabia, as also with all other religions, and that it has made this state of war into a permanent feature of its law system.

5. Playing up unrepresentative facts: A popular tactic in negationism consists in finding a positive but uncharacteristic event, and highlighting it while keeping the over-all picture out of the public's view. For instance, a document is found in which Christians, whose son has forcibly been inducted in the Ottoman Janissary army,

express pride because their son has made it to high office within this army. The fact that these people manage to see the bright side of their son's abduction, enslavement and forced conversion, is then used to prove that non-Muslims were quite happy under Muslim rule, and to conceal the fact that the devshirme, the forcible conversion and abduction of one fifth of the Christian children by the Ottoman authorities, constituted a constant and formidable terror bewailed in hundreds of heart-rending songs and stories.

For another example, negationists always mention cases of collaboration by non-Muslims (German support in the Armenian Genocide etc.) to suggest that these were treated as partners and equals and that Muslim rule was quite benevolent; when in fact every history of an occupation, even the most cruel one, is also the history of a collaboration. As has been pointed out, the Nazis employed Jewish guards in the Warsaw ghetto, disprove the Nazi oppression of the Jews.

6. Denying the motive: Negationists sometimes accept the facts, but disclaim their hero's responsibility for them. Thus, Mohammed Habib tried to exonerate Islam by ascribing to the Islamic invaders alternative motives: Turkish barbarity, greed, the need to put down conspiracies brewing in temples. In reality, those rulers who had secular reasons to avoid an all-out confrontation with the unbelievers were often reprimanded by their clerical courtiers for neglecting their Islamic duty. The same clerics were never unduly worried over possible secular motives in a ruler's mind as long as these prompted him to action against the unbelievers. At any rate, the fact that Islam could be used routinely to justify plunder and enslavement (unlike, say, Buddhism), is still significant enough.

7. Smokescreen: Another common tactic consists in blurring the problem by questioning the very terms of the debate: "*Islam does not exist, for there are many Islam's, with big differences between countries etc.*" It would indeed be hard to criticise something that is so ill-defined. But the simple fact is that Islam does exist: it is the doctrine contained in the Quran, normative for all Muslims, and in the Hadith, normative for at least all Sunni Muslims. There are differences between the law schools concerning minor points, and of course there are considerable differences in the extent to which Muslims are effectively faithful to Islamic doctrine, and correspondingly, the extent to which they mix it with un-Islamic elements.

8. Blaming fringe phenomena: When faced with hard facts of Islamic fanaticism, negationists often blame them on some fringe tendency, now popularly known as fundamentalism or *Wahhabism*. This is said to be the product of post-colonial frustration, basically foreign to genuine Islam. In reality, fundamentalists like Maulana Maudoodi and Ayatollah Khomeini knew their Quran better than the self-deluding secularists who brand them as bad Muslims. What is called fundamentalism or Wahhabism is in fact the original Islam, as is proven by the fact that *fundamentalists* have existed since long before colonialism, e.g. the 13th century theologian Ibn Taimiya, who is still a lighthouse for today's Maudoodis, Turabis, Madanis and Khomeini's. When Ayatollah Khomeini declared that the goal of Islam is the conquest of all non-Muslim countries, this was merely a reformulation of Mohammed's long-term strategy and of the Quranic assurance that God has promised the entire world to Islam. In the case of communism, one can shift the blame from Marx to Lenin and Stalin, but Islamic terrorism has started with Mohammed himself.

9. Arguments ad hominem: If denying the evidence is not tenable, one can always distort it by means of selective quoting and imputing motives to the original authors of the source material; or manipulating quotations to make them say the opposite of the over-all picture which the original author has presented. Focus all attention on a few real or imagined flaws in a few selected pieces, and act as if the entire corpus of evidence has been rendered untrustworthy. To extend the alleged untrustworthiness

of one piece of evidence to the entire corpus of evidence, it is necessary to create suspicion against those who present the evidence: the implication is that they have a plan of history falsification, that this plan has been exposed in the case of this one piece of evidence, but that it is only logical that such motivated history falsifiers are also behind the concoction of the rest of the alleged evidence.

If the discussion of inconvenient evidence cannot be prevented, disperse it by raising other issues, such as the human imperfections which every victim of crimes against humanity inevitably has (Jewish harshness against the Palestinians, Hindu untouchability); describe the demand for the truth as a ploy to justify and cover up these imperfections. If the facts have to be faced at all, then blame the victim. If people ignore or refute your distorted version of history, accuse them of distortion and political abuse of history. Slander scholars whose testimony is inconvenient; impute political or other motives to them in order to pull the attention away from the hard evidence they present.

10. Slogans: Finally, all discussion can be sabotaged with the simple technique of shouting slogans: *prejudice, myth, "racism/Islamophobia"*. Take the struggle from the common battlefield of arguments into the opponent's camp: his self-esteem as a member of the civilised company that abhors ugly things like prejudice and Islamophobia. After all, attack is the best defence.

After summing up the forms of negationism, we have to look into its causes. The following factors come to mind:

1. Orientalism and Islamology: After the medieval Christian pamphlets against "*Mohammed the impostor*" whose media campaigns ended in the late 19th century, not much has been published schematising the ideological and factual crimes of Islam. Books on, say, "*slavery in Islam*" are extremely rare: the raw information that could fill such a publication will have to be found in more general publications, in which Islam is only referred to in passing, often without the author's realising the implications for an evaluation of Islam. It is often said (when introducing "refutations of prejudice") that people always associate Islam with intolerance; but finding a book specifically devoted to the subject of Islamic intolerance will be harder. How many tens of millions have been killed by Islam simply because they were non-Muslims? Nobody has yet tabulated the figures available to prepare a general estimate. We can only notice that critical research of Islam is not exactly encouraged, and that there is an increasing tendency to self-censorship regarding Islam criticism. In part, this is due to a much delayed reaction against the long-abandoned Christian polemical approach.

Now that Islamic Studies departments in Europe are increasingly manned by Muslims and sponsored by Islamic foundations and states, the climate for critical studies of Islam is only worsening. When comparing the first (pre-World War 2) edition of the *Encyclopaedia of Islam* (Leiden, Netherlands) with the new edition, it is striking how critical observations have been ironed out. But even in the past, Islam has enjoyed a rather favourable treatment in academic circles. Thus, about Islamic slavery the prominent Dutch Islamologist C. Snouck-Hurgronje wrote in 1887 (i.e. thirty years after the Americans had waged a war to impose the abolition of slavery in their southern states, and some seventy years after its abolition in the colonies): "*For most slaves their abduction was a blessing... They themselves are convicted that it is their enslavement that has for the first time made them human.*"

The political context of the growth phase of Islamology provides a part of the explanation. Mature colonialism was not waging war against Islam, but sought the co-

operation of the established social forces in the colonised populations. The British co-operation with the Indian Muslims is well-known; it is epitomised by the founding in 1906 of the Muslim League, which sought to "*inculcate loyalty to the British Empire in the Indian Muslims*". In French West Africa, in the same period, Islam was accepted as a factor of social stability, and General Lyautey pursued a dream of a Franco-Islamic synthesis culture in Algeria. In the 1930s, in the last European attempt at fresh colonisation, the Italian Fascists actively supported the spread of Islam in the Horn of Africa. But already since 1853 the colonial powers had been supporting the Caliphate against a Christian power, Russia, esp. in the Crimean War (a mistaken war if ever there was one), and this had strongly contributed to climate of benevolence towards the Muslim culture.

2. Church policy: Christianity has for centuries waged a lively polemic against Islam. Recently, this criticism has subsided. Worse, polemical works by clerics have been withdrawn or kept unpublished (such as, early this century, Father Henri Lammens' paper arguing that Mohammed's revelations were a psychopathological phenomenon). One reason is that the Church is aware of the similarity between Jesus' and Mohammed's missions, so that a criticism of the foundations of Islam may backfire on Christianity. The second reason is the fear that Christians in the Muslim world would have to pay for even ideological attack on Islam (that is why Church polemicists save their sharpest words for harmless religions like Hinduism). This fear also motivates other Church policies, such as the non-recognition of the state of Israel.

Meanwhile, the face of the Church has changed. A small but significant event in the wake of the Second Vatican Council was the deletion from the Saints' calendar of Our Lady of the Redemption of Slaves, whose feast was on 24 September. In the Middle Ages, there was a special clerical order and a whole fund-raising network devoted to the redemption ("*buying back*") of Christian slaves held in *Barbary*. Until the 19th century, coastal villages in Italy had watchtowers to alarm the people when a ship of the slave-catching Barbarese pirates was in sight. The terror of Islamic slavery was a permanent feature of Christian history from the 7th till the 19th century, but now the Church is working hard to erase this memory.

Today, its pastors are the most fervent pleaders for the rights of Islam. Muslims in Europe are for them a substitute for the disappearing parish members. Separate Christian institutions, whose reason of existence is being questioned, find a new legitimacy in the fact that Islam in its turn is also opening separate schools, charities and even political parties. Islam has become a *sister religion* regularly praised as a *religion of peace*.

3. Anti-colonialism: One of the ideological guidelines of anti-colonialism was: "*Of the (ex) colonised, nothing but good must be said.*" Therefore, mentioning the colonialism and mass slavery practised by the Muslims had become undesirable.

Add to this general taboo the warning that Islam criticism effectively implies support to Israel, described by Maxime Rodinson as a "*colonial settler-state*". If one acknowledges that Islam has always oppressed the Jews, one accepts that Israel was a necessary refuge for the Jews fleeing not only the European but also the Islamic variety of anti-Judaism. Let us not forget that decolonisation was followed immediately by renewed discrimination of and attacks on the Jewish and Christian minorities, and that those Jews who could get out have promptly fled to Israel (or France, in the case of Algeria). It is no coincidence that these Sephardic Jews are mostly supporters of the hard-liners in Israel.

4. The enemy's enemy is a friend: Many people brought up as Christians, or as nominal Hindus, never outgrow their pubescent revolt against their parents' religion,

and therefore automatically sympathise with every rival or opponent of the religion they have come to despise. Because Islam poses the most formidable threat, they like it a lot.

5. Leftism: In this century, Islam has come to be advertised as a naturally leftist "*religion of equality*". This line has been developed by Muslim apologists such as Mohammed Habib, and they have even taken it as a rationalisation of the irrational claim that Mohammed was the "*last Prophet*": after all, as the "*prophet of equality*", he had brought the ultimate message upon which no improvement is possible. Sir Mohammed Iqbal, one of the fathers of Pakistan, had claimed that "*Islam equals Communism plus Allah*". The Iranian Ayatollahs, by contrast, and most of the vocal Muslims after the Soviet-Islamic war in Afghanistan, have restated the orthodox position that Communism is un-Islamic, not only because of its atheism but also because of its rejection of free enterprise; the current claim is that Islam provides a "*better form of equality*" than Communism.

Even while Communists were slaughtered in Islamic Iran, and even while political analysts classify the Islamist movements as "*extreme rightist*", most leftists have kept on cultivating some sympathy for Islam. During the Lebanese civil war, they fed us news stories about "*leftist Muslims, rightist Christians*", "*Islamoprogressive, Christiano-reactionnaire*".

Negationism in Europe is practised with the most prowess by historians and writers who are under the spell of Marxism. Lenin had wanted to use the Muslims against the French and British colonialists. Modern Leftists with Marxist sympathies see Islam as an ally against Israel and the US.

6. Rightist traditionalism: There is also a rightist sympathy for Islam. An obvious point of agreement is of course anti-Judaism. A subtler basis for sympathy is the so-called traditionalist current, which was represented by the converts Rene Guenon and Frithjof Schuon, and still has a following: it has been idealising Islam and esp. Sufism as the preserver of the age-old philosophia perennis against modernity. In Russia, some Slavophile anti-Western groups now seek an alliance with Islam against the impending Americanisation of their society. In the U.S., Christian fundamentalists and Islamic organisations are increasingly creating common platforms to speak out against trends of moral decay (abortion, pornography, etc.). Some of these phenomena of traditionalist alliance-building are quite respectable, but they are nevertheless conducive to Islam negationism.

7. Economic Liberalists: Liberalists see Muslim immigration as an endless source of cheap labour and seek to defend them as often as they can. In addition, they support EU membership for Turkey.

8. Liberal Islam: In the Islamic world, it is unwise to attack Islam head-on. Yet, sometimes people in those countries feel the need to oppose Islamic phenomena and campaigns, such as the witch-hunt on un-Islamic cultural remnants, violence on the non-Muslims, extreme forms of gender inequality. In order to have a chance, these people have to use Islamic language:

"Mohammed was actually against polygamy", "violence against others is in conflict with the tolerance which Mohammed has taught us", "and respect for other cultures is part of Islamic tradition".

In order to press their humanist point, they have to formally identify with Islam and lie about its contents.

Many Muslims have started to believe their own rhetoric. If you point out to them that the Quran teaches intolerance and war against the unbelievers in the most explicit terms, many of them will sincerely protest, and not know what to say when you show them the Quranic passages concerned. There is no reason to doubt that the Moroccan authoress Fatima Mernissi genuinely believes in her own argument that the Quranic instructions on how to organise your polygamous household are to be read as an abolition of polygamy (albeit in veiled terms, because Allah, the same Allah Almighty who went straight against the prevalent customs of idolatry and pluralism, had to be careful not to offend the spirit of the times). Many nominal Muslims have outgrown Islamic values and developed a commitment to modern values, but their sentimental attachment to the religion imbibed in their childhood prevents them from formally breaking with Islam and makes them paint a rosy picture of it.

Among Muslim spokesmen, is certainly not the fundamentalists who are the most active proponents of negationism. It is liberals like Asghar Ali Engineer who deny that Islam ordains war on the infidels. It is those who are acclaimed by Europeans as being good "*secular*" Muslims. An Islam that wants to be secular cannot be and is therefore dishonest and untrue to itself. Unfortunately, a tolerant Islam is a contradiction, and the "creation" of a tolerant past for Islam to appease the position of liberal Muslims, is a lie.

9. Muslims differing from Islam: Many people have a Muslim neighbour who is a fine man, and from this empirical fact they conclude: Islam cannot be all that bad considering our friend Mustapha. This one empirical fact gives them a tremendous resistance against all information about Islamic intolerance. People usually reduce the world to their own sphere of experience, and general historical facts of Islamic fanaticism are not allowed to disturb the private experience of good neighbourly relations.

Many nominal Muslims have retained some vague generalities about morality from the Quran, and they normally go by their own conscience and sensibility without ever developing the doctrinally prescribed hostility towards non-Muslims. These good people, although bad Muslims, can ignore but not change Islamic doctrine. They cannot prevent the Quranic message of hatred from infecting at least some of the more susceptible among their brethren and perhaps even their children or grandchildren in the future.

There have certainly been situations where sane Muslims have calmed down their more riotous brethren, and such individuals do make a real difference. We should not make the Islamic mistake of judging people simply by their belonging or not belonging to the Muslim community, rather than by their human qualities. But the fact remains that the presence of a doctrine of intolerance as the official and identity-defining ideology of a community, exerts a constant pressure tending towards separatism and confrontation. The alleviating presence of the humanist factor even within the Muslim community should not be used to deny the ominous presence of Islamic factors.

"Those who deny history are bound to repeat it": While Nazism is simply too stained to get a second chance, Islam is certainly in a position to force unbelievers into Dhimmitude (as is happening in dozens of Muslim countries in varying degrees), and even to wage new jihads, this time with weapons of mass-destruction. Those who are trying to close people's eyes to this danger by distorting or concealing the historical record of Islam are effective accomplices in the injustice and destruction which Islam is sure to cause before

the time of its dissolution comes. Therefore, I consider it a duty of all intellectuals to expose and denounce the phenomenon of negationism whenever it is practised.

Another example of falsified history:

H. M. Elliot and John Dowson, *The History of India as Told by Its Own Historians*, (London, 1867-1877) described the Muslim tyranny and barbarity in great detail.

100 years later, several Western countries had implemented several reforms of historical falsification already:

Stanley Lane-Poole, *Medieval India under Mohammedan Rule, 712-1764*, G.P. Putnam's Sons. New York, 1970. p. 9-10 which was very Muslim friendly. Describing the invasions as almost a peaceful and friendly gesture...

The motives of these campaigns must be seen in context. Britain/US/France/Germany was now pro Arab/pro Muslim in the cold war environment where you saw India/Russia/China on the axis of "evil". Western historians after 1900 was therefore not allowed to write anything negative about their new Muslim allies. Most of western sources after year 1900 are therefore falsified. The source material is basically a compilation of falsified fairytales with the only objective of appeasing a strategic ally which proved to be an advantage in the war against the Soviets. It's a well known fact that British (Western historians) before 1900 had a totally different view than post 1900 historians.

Sources:

1. <http://en.wikipedia.org/wiki/Negationism>
2. <http://www.thereligionofpeace.com/>
3. [http://en.wikipedia.org/wiki/Russo-Turkish_War_\(1877%E2%80%931878\)](http://en.wikipedia.org/wiki/Russo-Turkish_War_(1877%E2%80%931878))
4. http://en.wikipedia.org/wiki/Congress_of_berlin
5. See: *The Eurabia Code*
6. Alex Alexiev, "Terrorism: Growing Wahhabi Influence in the United States", Testimony before the US Senate Committee on the Judiciary, Subcommittee on Terrorism, Technology and Homeland Security, 26 June 2003.

1.3 The Failure of Western Universities

By Fjordman

Kari Vogt, historian of religion at the University of Oslo, has stated that Ibn Warraq's book "*Why I am Not a Muslim*" is just as irrelevant to the study of Islam as The Protocols of the Learned Elders of Zion are to the study of Judaism. She is widely considered as one of the leading expert on Islam in Norway, and is frequently quoted in national media on matters related to Islam and Muslim immigration. People who get most of their information from the mainstream media, which goes for the majority of the population, will thus be systematically fed biased information and half-truths about Islam from our universities, which have largely failed to uphold the ideal of free inquiry. Unfortunately, this situation is pretty similar at universities[1] and colleges[2] throughout the West[3].

London's School of Oriental and African Studies (SOAS[4]), scene to a growing number of anti-Semitic incidents from an increasingly pro-Islamic campus, issued a threat to one of

its Jewish students to cease his protests against anti-Semitism at the University. Gavin Gross, an American, had been leading a campaign against the deterioration of conditions for Jewish students at SOAS, which is part of the University of London. SOAS had witnessed an escalation of anti-Jewish activity, in both severity and frequency. At the beginning of the year, the Islamic Society screened a video which compared Judaism with Satanism.

Meanwhile, in a move to "promote understanding between Islam and the West," Saudi Arabia donated about SR13 million to a leading British museum[5]. The officials said the money from Prince Sultan would pay for a new Saudi and Islamic gallery, which would help to portray Islamic culture and civilisation in right perspectives. It would also help fund scholarships for Saudi students at Oxford University.

The Saudis and other oil-rich Arabs are busy buying influence over what Westerners hear about Islam. Prince Al-Waleed bin Talal bin Abdul Aziz Al-Saud, a member of the Saudi Royal Family, is an international investor currently ranked among the ten richest persons in the world. He is known in the USA for a \$10 million check he offered to New York City Mayor Rudolph W. Giuliani in October 2001 for the Twin Towers Fund. Mayor Giuliani returned the gift when he learned that the prince had called for the United States to "re-examine its policies in the Middle East and adopt a more balanced stance toward the Palestinian cause."

Prince Talal is also creating a TV channel, Al-Resalah[6], to target American Muslims. He already broadcasts in Saudi Arabia. In 2005, Bin Talal bought 5.46% of voting shares in News Corp, the parent of Fox News. In December 2005 he boasted to Middle East Online about his ability to change what viewers see on Fox News[7]. Covering the riots in France[8] that fall, Fox ran a banner saying: "Muslim riots." Bin Talal was not happy. "I picked up the phone and called Murdoch [...] [and told him] these are not Muslim riots, these are riots out of poverty," he said. "Within 30 minutes, the title was changed from Muslim riots to civil riots."

A survey conducted by Cornell University found that around half of Americans had a negative view of Islam[9]. Addressing a press conference at the headquarters of the World Assembly of Muslim Youth (WAMY), Paul Findley, a former US Congressman, said that the cancer of anti-Muslim and anti-Islamic sentiments was spreading in American society and required corrective measures to stamp out. It was announced that the Council on American-Islamic Relations (CAIR) would be launching a massive \$50 million media campaign involving television, radio and newspapers. "We are planning to meet Prince Alwaleed ibn Talal for his financial support to our project. He has been generous in the past."

The World Assembly of Muslim Youth, founded by the nephew of Osama Bin Laden in the US, is sharing offices with the Islamic Society of North America and the Islamic Centre of Canada. WAMY Canada runs[10] a series of Islamic camps and pilgrimages for youth. US Special Agent Kane quoted from a publication prepared by the WAMY that said: "Hail! Hail! O Sacrificing Soldiers! To Us! To Us! So we may defend the flag on this Day of Jihad, are you miserly with your blood?! And has life become dearer to you? And staying behind sweeter?" According to him, 14- to 18-year-olds were the target audience for these teachings.

Harvard University and Georgetown University received \$20 million donations[11] from Prince bin Talal to finance Islamic studies. "For a university with global aspirations, it is critical that Harvard have a strong program on Islam that is worldwide and interdisciplinary in scope," said Steven E. Hyman, Harvard's provost. Georgetown said it would use the gift – the second-largest it has ever received – to expand its Center for Muslim-Christian Understanding. Martin Kramer, the author of "Ivory Towers on Sand: The Failure of Middle Eastern Studies in America," said: "Prince Alwaleed knows that if

you want to have an impact, places like Harvard or Georgetown, which is inside the Beltway, will make a difference.”

Georgetown professor John Esposito, founding director of the Center for Muslim-Christian Understanding, has, probably more than any other academic, contributed to downplaying[12] the Jihadist threat to the West. Kramer states that[13] during his early days in the 1970s, Esposito had prepared his thesis under his Muslim mentor Ismail R. Faruqi, a Palestinian pan-Islamist and theorist of the “Islamisation of knowledge.” During the first part of his career, John L. Esposito never studied or taught at a major Middle East center. In the 80s, he published books such as *Islam: The Straight Path*, the first of a series of favorable books on Islam. In 1993, Esposito arrived at Georgetown University, and has later claimed the status of “authority” in the field.

In 2003, officials from the Islamic Society of North America (ISNA) recognised Esposito[14] as the current “Abu Taleb of Islam” and the Muslim community, not only in North America but also worldwide. In appreciation of his “countless effort towards dispelling myths about Muslim societies and cultures,” Dr. Sayyid Syeed, Secretary General of the ISNA compared the role of Esposito to that of Abu Taleb, Muhammad’s non-Muslim uncle who gave unconditional support to the Muslim community in Mecca at a time when it was still weak and vulnerable.

The rise to prominence of Esposito symbolises the failure of critical studies of Islam – some would argue critical studies of just about anything non-Western – in Western Universities in the 1980s and 90s. Frenchman Olivier Roy as early as 1994 published a book entitled *The Failure of Political Islam* and wrote of the Middle East as having entered the stage of “post-Islamism.” As Martin Kramer puts it, “the academics were so preoccupied with “Muslim Martin Luthers” that they never got around to producing a single serious analysis of bin Laden and his indictment of America. Bin Laden’s actions, statements, and videos were an embarrassment to academics who had assured Americans that “political Islam” was retreating from confrontation.

At least US Universities are noticing bin Laden now. Bruce Lawrence, Duke professor[15] of religion, has published a book of Osama bin Laden’s speeches and writings. “If you read him in his own words, he sounds like somebody who would be a very high-minded and welcome voice in global politics,” Lawrence said. Lawrence has also claimed that Jihad means “being a better student, a better colleague, a better business partner. Above all, to control one’s anger.”

Others believe we make too much fuss about this whole Jihad business. John Mueller, Professor of Political Science at Ohio State University, in the September 2006 issue of *Foreign Affairs*[16] asked whether the terrorist threat to the USA had just been made up: “A fully credible explanation for the fact that the United States has suffered no terrorist attacks since 9/11 is that the threat posed by homegrown or imported terrorists – like that presented by Japanese Americans during World War II or by American Communists after it – has been massively exaggerated.” “The massive and expensive homeland security apparatus erected since 9/11 may be persecuting some, spying on many, inconveniencing most, and taxing all to defend the United States against an enemy that scarcely exists.”

Lee Kaplan joined a conference[17] of MESA, the Middle East Studies Association, in San Francisco: “Free copies of a glossy newsmagazine called the *Washington Report on Middle East Affairs* were being distributed to the academics in attendance. Most people, upon seeing the publication, might assume it was similar to *Newsweek* or *Time*.” “What most people don’t know is that the *Washington Report on Middle East Affairs* magazine and Web site – indeed, the entire organisation behind it – are funded by Saudi Arabia, a despotic regime that has been quietly buying its way onto every campus in America, particularly through Middle East Studies centers in the U.S.”

"I met Nabil Al-Tikriti, a professor from the University of Chicago." "I'd invite those academic Middle East scholars who actually support America's war effort overseas and security needs here at home. People like Daniel Pipes or Martin Kramer." I continued, "Why aren't they here at the MESA Conference?" "They'd be shouted down," replied Al-Tikriti.

Jihad Watch Board Vice President Hugh Fitzgerald shares his worries about MESA[18]: "As an organisation, MESA has over the past two decades slowly but surely been taken over by apologists for Islam." "The apologetics consists in hardly ever discussing Jihad, dhimmitude, or indeed even introducing the students to Qur'an, Hadith, and Sira." "Books on the level of [Karen] Armstrong and Esposito are assigned, and feelgood nonsense like Maria Rosa Menocal's *The Ornament of the World*."

"No member of MESA has done as much to make available to a wide public important new work on Muhammad, on the origins of the Qur'an, and on the history of early Islam, as that lone wolf, Ibn Warraq. No one has done such work on the institution of the dhimmi as that lone louve, Bat Ye'or[19]. It is an astounding situation, where much of the most important work is not being done in universities, because many university centers have been seized by a kind of Islamintern International."

Hugh Fitzgerald is right. *The Legacy of Jihad*, one of the most important works on Jihad to appear in recent years, was written by Andrew Bostom, a medical doctor who was dissatisfied with much of the material available on the subject following the terror attacks in 2001. Bat Ye'or, perhaps the leading expert on the Islamic institution of dhimmitude, is self-taught. And Ibn Warraq has written several excellent books on the origins of the Koran and the early days of Islamic history while remaining outside of the established University system. This is all a great credit to them personally, but it is not a credit to the status of Western Universities.

It is difficult to understand why American or Western authorities still allow the Saudis to fund what is being taught about Islam to future Western leaders, years after several Saudi nationals staged the worst terror attack in Western history. The United States didn't allow Nazi Germany to buy influence at US Universities. Although the Soviet Communists had their apologists in the West as well as paid agents, the US never allowed the Soviet Union to openly sponsor its leading colleges. So why are they allowing Saudi Arabia and other Islamic nations to do so? The Saudis are enemies, and should be banned from exerting direct influence over our Universities and major media. It is a matter of national security.

Still, although bribes and Saudi oil money represent a serious obstacle to critical Western studies of Islam, they do by no means make up all of the problems. Quite a few academics are so immersed with anti-Western ideology that they will be happy to bash the West and applaud Islam for free.

Few works have done more to corrupt critical debate of Islam in Western institutions for higher learning during the past generation than the 1979 book *Orientalism* by Edward Said. It spawned a veritable army of Saidists, or Third World Intellectual Terrorism[20] as Ibn Warraq puts it. According to Ibn Warraq, "the latter work taught an entire generation of Arabs the art of self-pity – "were it not for the wicked imperialists, racists and Zionists, we would be great once more" – encouraged the Islamic fundamentalist generation of the 1980s, and bludgeoned into silence any criticism of Islam."

"The aggressive tone of *Orientalism* is what I have called 'intellectual terrorism,' since it does not seek to convince by arguments or historical analysis but by spraying charges of racism, imperialism, Eurocentrism" on anybody who might disagree. "One of his preferred moves is to depict the Orient as a perpetual victim of Western imperialism,

dominance and aggression. The Orient is never seen as an actor, an agent with free-will, or designs or ideas of its own."

Ibn Warraq also criticises Said for his lack of recognition of the tradition of critical thinking in the West. Had he delved a little deeper into Greek civilisation and history, and bothered to look at Herodotus' great history, Said "would have encountered two features which were also deep characteristics of Western civilisation and which Said is at pains to conceal and refuses to allow: the seeking after knowledge for its own sake." "The Greek word, *historia*, from which we get our "history," means "research" or "inquiry," and Herodotus believed his work was the outcome of research: what he had seen, heard, and read but supplemented and verified by inquiry."

"Intellectual inquisitiveness is one of the hallmarks of Western civilisation. As J.M. Roberts put it, "The massive indifference of some civilisations and their lack of curiosity about other worlds is a vast subject. Why, until very recently, did Islamic scholars show no wish to translate Latin or western European texts into Arabic? Why when the English poet Dryden could confidently write a play focused on the succession in Delhi after the death of the Mogul emperor Aurungzeb, is it a safe guess that no Indian writer ever thought of a play about the equally dramatic politics of the English seventeenth-century court? It is clear that an explanation of European inquisitiveness and adventurousness must lie deeper than economics, important though they may have been."

Martin Kramer points out the irony that novelist Salman Rushdie praised Said's courage: "Professor Said periodically receives threats to his safety from the Jewish Defense League in America," said Rushdie in 1986, "and I think it is important for us to appreciate that to be a Palestinian in New York – in many ways the Palestinian – is not the easiest of fates." But as it happened, Said's fate became infinitely preferable to Rushdie's, after Khomeini called for Rushdie's death in 1989. It was ironic that Rushdie, a postcolonial literary lion of impeccable left-wing credentials, should have been made by some Muslims into the very personification of Orientalist hostility to Islam."

In his essay *The Intellectuals and Socialism*, F.A. Hayek noted already decades ago that "Socialism has never and nowhere been at first a working-class movement. It is a construction of theorists" and intellectuals, "the secondhand dealers in ideas." "The typical intellectual need not possess special knowledge of anything in particular, nor need he even be particularly intelligent, to perform his role as intermediary in the spreading of ideas. The class does not consist of only journalists, teachers, ministers, lecturers, publicists, radio commentators, writers of fiction, cartoonists, and artists." It also "includes many professional men and technicians, such as scientists and doctors."

"These intellectuals are the organs which modern society has developed for spreading knowledge and ideas, and it is their convictions and opinions which operate as the sieve through which all new conceptions must pass before they can reach the masses."

"The most brilliant and successful teachers are today more likely than not to be socialists." According to Hayek, this is not because Socialists are more intelligent, but because "a much higher proportion of socialists among the best minds devote themselves to those intellectual pursuits which in modern society give them a decisive influence on public opinion." "Socialist thought owes its appeal to the young largely to its visionary character." "The intellectual, by his whole disposition, is uninterested in technical details or practical difficulties. What appeal to him are the broad visions."

He warns that "It may be that as a free society as we have known it carries in itself the forces of its own destruction, that once freedom has been achieved it is taken for granted and ceases to be valued, and that the free growth of ideas which is the essence of a free society will bring about the destruction of the foundations on which it depends." "Does this mean that freedom is valued only when it is lost, that the world must everywhere go

through a dark phase of socialist totalitarianism before the forces of freedom can gather strength anew?" "If we are to avoid such a development, we must be able to offer a new liberal program which appeals to the imagination. We must make the building of a free society once more an intellectual adventure, a deed of courage."

In his book *Modern Culture*, Roger Scruton[21] explains the continued attraction of left-wing ideology in this way:

"The Marxist theory is as form of economic determinism, distinguished by the belief that fundamental changes in economic relations are invariably revolutionary, involving a violent overthrow of the old order, and a collapse of the political "super-structure" which had been built on it. The theory is almost certainly false: nevertheless, there is something about the Marxian picture which elicits, in enlightened people, the will to believe. By explaining culture as a by-product of material forces, Marx endorses the Enlightenment view, that material forces are the only forces there are. The old culture, with its gods and traditions and authorities, is made to seem like a web of illusions – 'the opiate of the people,' which quietens their distress."

Hence, according to Scruton, in the wake of the Enlightenment, "there came not only the reaction typified by Burke and Herder, and embellished by the romantics, but also a countervailing cynicism towards the very idea of culture. It became normal to view culture from the outside, not as a mode of thought which defines our moral inheritance, but as an elaborate disguise, through which artificial powers represent themselves as natural rights. Thanks to Marx, debunking theories of culture have become a part of culture. And these theories have the structure pioneered by Marx: they identify power as the reality, and culture as the mask; they also foretell some future 'liberation' from the lies that have been spun by our oppressors."

It is striking to notice that this is exactly the theme of author Dan Brown's massive international hit *The Da Vinci Code* from 2003, thought to be one of the ten best-selling books of all time. In addition to being a straightforward thriller, the novel claims that the entire modern history of Christianity is a conspiracy of the Church to cover up the truth about Jesus and his marriage to Mary Magdalene.

Australian writer Keith Windschuttle[22], a former Marxist, is tired of that anti-Western slant that permeates academia: "For the past three decades and more, many of the leading opinion makers in our universities, the media and the arts have regarded Western culture as, at best, something to be ashamed of, or at worst, something to be opposed. The scientific knowledge that the West has produced is simply one of many "ways of knowing."

"Cultural relativism claims there are no absolute standards for assessing human culture. Hence all cultures should be regarded as equal, though different." "The plea for acceptance and open-mindedness does not extend to Western culture itself, whose history is regarded as little more than a crime against the rest of humanity. The West cannot judge other cultures but must condemn its own."

He urges us to remember how unique some elements of our culture are: "The concepts of free enquiry and free expression and the right to criticise entrenched beliefs are things we take so much for granted they are almost part of the air we breathe. We need to recognise them as distinctly Western phenomena. They were never produced by Confucian or Hindu culture." "But without this concept, the world would not be as it is today. There would have been no Copernicus, Galileo, Newton or Darwin."

The re-writing of Western history has become so bad that even playwright William Shakespeare has been proclaimed a closet Muslim. "Shakespeare would have delighted in Sufism," said the Islamic scholar Martin Lings, himself a Sufi Muslim. According to The

Guardian, Lings argued that Shakespeare's "work resembles the teachings of the Islamic Sufi sect" in the International Shakespeare Globe Fellowship Lecture at Shakespeare's own Globe Theatre in London. Lings spoke during Islam Awareness Week.

"It's impossible for Shakespeare to have been a Muslim," David N. Beauregard, a Shakespeare scholar and co-editor of *Shakespeare and the Culture of Christianity in Early Modern England*, told. Shakespeare "maintained Roman Catholic beliefs on crucial doctrinal differences." Beauregard notes that "this is not to say that Shakespeare was occupied with writing religious drama, but only that a specific religious tradition informs his work."

According to Robert Spencer[23], "Shakespeare is just the latest paradigmatic figure of Western Christian culture to be remade in a Muslim-friendly manner." Recently the [US] State Department asserted, without a shred of evidence, that Christopher Columbus (who in fact praised Ferdinand and Isabella for driving the Muslims out of Spain in 1492, the same year as his first visit to the Americas) was aided on his voyages by a Muslim navigator. "The state of American education is so dismal today that teachers themselves are ill-equipped to counter these historical fantasies."

The Gates of Vienna blog[24] quoted a report by The American Council of Trustees and Alumni (ACTA) on US Universities. Their survey revealed "a remarkable uniformity of political stance and pedagogical approach. Throughout the humanities and social sciences, the same issues surface over and over, regardless of discipline. In courses on literature, philosophy, and history; sociology, anthropology, and religious studies; women's studies, American studies, [...] the focus is consistently on a set list of topics: race, class, gender, sexuality, and the "social construction of identity"; globalisation, capitalism, and U.S. "hegemony"; the ubiquity of oppression and the destruction of the environment."

"In class after class, the same essential message is repeated, in terms that, to an academic "outsider," often seem virtually unintelligible." "In short, the message is that the status quo, which is patriarchal, racist, hegemonic, and capitalist, must be "interrogated" and "critiqued" as a means of theorising and facilitating a social transformation whose necessity and value are taken as a given." "Differences between disciplines are beginning to disappear. Courses in such seemingly distinct fields as literature, sociology, and women's studies, for example, have become mirror images of one another."

Writer Charlotte Allen commented[25] on how Harvard University President Lawrence Summers caused a storm by giving a speech speculating that innate differences between the sexes may have something to do with the fact that proportionately fewer women than men hold top positions in science. Summers in 2006 announced his intention to step down at the end of the school year, in part due to pressure caused by this speech. "Even if you're not up on the scientific research – a paper Mr. Summers cited demonstrating that, while women overall are just as smart as men, significantly fewer women than men occupy the very highest intelligence brackets that produce scientific genius – common sense tells you that Mr. Summers has got to be right. Recently, Harvard's Faculty of Arts and Sciences passed a vote of no confidence in Mr. Summers. Wouldn't it be preferable to talk openly about men's and women's strengths and weaknesses?"

Yes, Ms. Allen, it would. Summers may have been wrong, but it's dangerous once we embark on a road where important issues are not debated at all. One of the hallmarks of Western civilisation has been our thirst for asking questions about everything. Political Correctness is thus anti-Western both in its form and in its intent. It should be noted that in this case, Feminists were in the vanguard of PC, the same ideology that has blinded our Universities to the Islamic threat.

It makes it even worse when we know that other Feminists in academia are asserting that the veil, or even the burka, represent "an alternative Feminism." Dr. Wairimu Njambi is an Assistant Professor of "Women's Studies" at the Florida Atlantic University. Much of her scholarship is dedicated to advancing the notion that the cruel practice of female genital mutilation (FGM) is actually a triumph for Feminism and that it is hateful to suggest otherwise. According to Njambi "anti-FGM discourse perpetuates a colonialist assumption by universalising a particular western image of a 'normal' body and sexuality."

Still, there are pockets of resistance. Professor Sigurd Skirbekk[26] at the University of Oslo questions many of the assumptions underlying Western immigration policies. One of them is the notion that rich countries have a duty to take in all people from other nations that are suffering, either from natural disasters, political repression or overpopulation. According to him, it cannot be considered moral of the cultural, political and religious elites of these countries to allow their populations to grow unrestrained and then push their excess population onto other countries.

Skirbekk points out that European countries have earlier rejected the Germans when they used the argument of lebensraum as a motivation for their foreign policy. We should do the same thing now when other countries invoke the argument that they lack space for their population. According to him, there is plenty of literature available about the ecological challenges the world will be facing in this century. Running a too liberal immigration policy while refusing to confront such unpleasant moral issues is not a sustainable alternative in the long run. We will then only push difficult dilemmas onto future generations.

In Denmark, linguist Tina Magaard[27] concludes that Islamic texts encourage terror and fighting to a far greater degree than the original texts of other religions. She has a PhD in Textual Analysis and Intercultural Communication from the Sorbonne in Paris, and has spent three years on a research project comparing the original texts of ten religions. "The texts in Islam distinguish themselves from the texts of other religions by encouraging violence and aggression against people with other religious beliefs to a larger degree. There are also straightforward calls for terror. This has long been a taboo in the research into Islam, but it is a fact we need to deal with."

Moreover, there are hundreds of calls in the Koran for fighting against people of other faiths. "If it is correct that many Muslims view the Koran as the literal words of God, which cannot be interpreted or rephrased, then we have a problem. It is indisputable that the texts encourage terror and violence. Consequently, it must be reasonable to ask Muslims themselves how they relate to the text, if they read it as it is," says Magaard.

The examples of Skirbekk, Magaard and others are indeed encouraging, but not numerous enough to substantially change the overall picture of Western academics largely paralysed by Political Correctness and anti-Western sentiments.

Writer Mark Steyn[28] comments on how "out in the real world it seems the true globalisation success story of the 1990s was the export of ideology from a relatively obscure part of the planet to the heart of every Western city." "Writing about the collapse of nations such as Somalia, the *Atlantic Monthly's* Robert D. Kaplan referred to the "citizens" of such "states" as "re-primitivised man."

"When lifelong Torontonians are hot for decapitation, when Yorkshiremen born and bred and into fish 'n' chips and cricket and lousy English pop music self-detonate on the London Tube, it would seem that the phenomenon of "re-primitivised man" has been successfully exported around the planet. It's reverse globalisation: The pathologies of the remotest backwaters now have franchise outlets in every Western city."

It is possible to see a connection here. While multiculturalism is spreading ideological tribalism in our universities, it is spreading physical tribalism in our major cities. Since all cultures are equal, there is no need to preserve Western civilisation, nor to uphold our laws.

It is true that we may never fully reach the ideal of objective truth, since we are all more or less limited in our understanding by our personal experiences and our prejudice. However, this does not mean that we should abandon the ideal. That's what has happened during the past decades. Our colleges aren't even trying to seek truth; they have decided that there is no such thing as "truth" in the first place, just different opinions and cultures, all equally valid. Except Western culture, which is inherently evil and should be broken down and "deconstructed." Western Universities have moved from the Age of Reason to the Age of Deconstruction.

While Chinese, Indian, Korean and other Asian Universities are graduating millions of motivated engineers and scientists every year, Western Universities have been reduced to little hippie factories, teaching about the wickedness of the West and the blessings of barbarism. This represents a serious challenge to the long-term economic competitiveness of Western nations. That's bad, but it is the least of our worries. Far worse than failing to compete with non-Muslim Asians is failing to identify the threat from Islamic nations who want to subdue us and wipe out our entire civilisation. That is a failure we quite simply cannot live with. And we probably won't, unless we manage to deal with it.

Sources:

<http://www.brusselsjournal.com/node/1282>

1. <http://www.brusselsjournal.com/node/849>
2. <http://www.brusselsjournal.com/node/1155>
3. <http://www.brusselsjournal.com/node/1145>
4. <http://www.jihadwatch.org/dhimmiwatch/archives/006260.php>
5. <http://www.arabnews.com/?page=1§ion=0&article=62487&d=21&m=4&y=2005>
6. http://www.americanthinker.com/comments.php?comments_id=5418
7. <http://frontpagemagazine.com/Articles/Printable.asp?ID=20490>
8. http://amconmag.com/2005/2005_12_05/cover.html
9. <http://www.arabnews.com/?page=1§ion=0&article=84122&d=21&m=6&y=2006&pix=kingdom.jpg&category=Kingdom>
10. <http://littlegreenfootballs.com/weblog/?entry=8263>
11. <http://www.jihadwatch.org/dhimmiwatch/archives/009405.php>
12. <http://www.jihadwatch.org/dhimmiwatch/archives/008907.php>
13. <http://www.geocities.com/martinkramerorg/IslamObscured.htm>
14. <http://www.campus-watch.org/article/id/773>
15. <http://www.jihadwatch.org/dhimmiwatch/archives/008113.php>
16. <http://www.foreignaffairs.org/20060901facomment85501/john-mueller/is-there-still-a-terrorist-threat.html>
17. <http://www.jihadwatch.org/dhimmiwatch/archives/004191.php>
18. <http://www.jihadwatch.org/archives/004791.php>
19. <http://www.brusselsjournal.com/node/840>
20. <http://www.secularislam.org/articles/debunking.htm>
21. <http://www.brusselsjournal.com/node/1126>
22. <http://www.sydneyline.com/Adversary Culture.htm>
23. <http://www.frontpagemag.com/Articles/ReadArticle.asp?ID=15701>
24. <http://gatesofvienna.blogspot.com/2006/06/little-churchills-inhabiting-sterile.html>
25. <http://www.dallasnews.com/sharedcontent/dws/dn/opinion/points/stories/040305dnediallen.35261.html>
26. <http://folk.uio.no/sigurds/>
27. <http://fjordman.blogspot.com/2005/09/islam-is-most-warlike-religion.html>
28. <http://www.brusselsjournal.com/node/1142>
29. <http://52.068.4.309plusf24:KWimfhh436383717863M5>

1.4 Review 1: Religion of Peace? Islam's war against the world - Islam 101

Islam 101 is meant to help people become better educated about the fundamentals of Islam and to help the more knowledgeable better convey the facts to others. With the aim of lending clarity to the public understanding of Islam and of exposing the inadequacy of prevailing views.

Table of Contents

1. The Basics

- a.** The Five Pillars of Islam
- b.** The Quran -- the Book of Allah
- c.** The Sunnah -- the "Way" of the Prophet Muhammad
 - i. Battle of Badr
 - ii. Battle of Uhud
 - iii. Battle of Medina
 - iv. Conquest of Mecca
- d.** Sharia Law

2. Jihad and Dhimmitude

- a.** What does "jihad" mean?
- b.** Muslim Scholar Hasan Al-Banna on jihad
- c.** Dar al-Islam and dar al-harb: the House of Islam and the House of War
 - i. al-Taqiyya -- Religious Deception
 - ii. How al-Taqiyya is a central part of the Islamisation of Europe
 - iii. Quranic abrogation (Naskh)
- d.** Jihad Through History
 - i. The First Major Wave of Jihad: the Arabs, 622-750 AD
 - ii. The Second Major Wave of Jihad: the Turks, 1071-1683 AD
- e.** The Dhimma
- f.** Jihad in the Modern Era

3. Conclusion

4. Frequently Asked Questions

- a.** What about the Crusades?
- b.** If Islam is violent, why are so many Muslims peaceful?
- c.** What about the violent passages in the Bible?
- d.** Could an Islamic "Reformation" pacify Islam?
- e.** What about the history of Western colonialism in the Islamic world?
- f.** How can a violent political ideology be the second-largest and fastest-growing religion on earth?
- g.** Is it fair to paint all Islamic schools of thought as violent?
- h.** What about the great achievements of Islamic civilisation?

5. Further Resources

1. The Basics

a. The Five Pillars of Islam

The five pillars of Islam constitute the most basic tenets of the religion. They are:

- 1.** Faith (iman) in the oneness of Allah and the finality of the prophethood of Muhammad (indicated by the declaration [the Shahadah] that, "There is no God but Allah and Muhammad is the messenger of Allah").
- 2.** Keeping of the five scheduled daily prayers (salah).
- 3.** Almsgiving (zakat).
- 4.** Fasting (sawm).
- 5.** Pilgrimage (hajj) to Mecca for those who are able.

The five pillars in and of themselves do not tell us a lot about the faith or what a Muslim is supposed to believe or how he should act. The second through fifth pillars -- prayer, almsgiving, fasting, pilgrimage -- are aspects shared by many religions. The finality of the prophethood of Muhammad, however, is unique to Islam. To understand Islam and what it means to be a Muslim, we must come to understand Muhammad as well as the revelations given through him by Allah, which make up the Quran.

b. The Quran -- the Book of Allah

According to Islamic teaching, the Quran came down as a series of revelations from Allah through the Archangel Gabriel to the Prophet Muhammad, who then dictated it to his followers. Muhammad's companions memorised fragments of the Quran and wrote them down on whatever was at hand, which were later compiled into book form under the rule of the third Caliph, Uthman, some years after Muhammad's death.

The Quran is about as long as the Christian New Testament. It comprises 114 suras (not to be confused with the Sira, which refers to the life of the Prophet) of varying lengths, which may be considered chapters. According to Islamic doctrine, it was around 610 AD in a cave near the city of Mecca (now in southwest Saudi Arabia) that Muhammad received the first revelation from Allah by way of the Archangel Gabriel. The revelation merely commanded Muhammad to "recite" or "read" (Sura 96); the words he was instructed to utter were not his own but Allah's. Over the next twelve or so years in Mecca, other revelations came to Muhammad that constituted a message to the inhabitants of the city to forsake their pagan ways and turn in worship to the one Allah.

While in Mecca, though he condemned paganism (for the most part), Muhammad showed great respect for the monotheism of the Christian and Jewish inhabitants. Indeed, the Allah of the Quran claimed to be the same God worshipped by Jews and Christians, who now revealed himself to the Arab people through his chosen messenger, Muhammad. It is the Quranic revelations that came later in Muhammad's career, after he and the first Muslims left Mecca for the city of Medina, that transformed Islam from a relatively benign form of monotheism into an expansionary, military-political ideology that persists to this day.

Orthodox Islam does not accept that a rendering of the Quran into another language is a "translation" in the way that, say, the King James Bible is a translation of the original Hebrew and Greek Scriptures. A point often made by Islamic apologists to defang

criticism is that only Arabic readers may understand the Quran. But Arabic is a language like any other and fully capable of translation. Indeed, most Muslims are not Arabic readers. In the below analysis, we use a translation of the Quran by two Muslim scholars, which may be found here. All parenthetical explanations in the text are those of the translators save for my interjections in braces, { }.

c. The Sunnah -- the "Way" of the Prophet Muhammad

In Islam, Muhammad is considered *al-insan al-kamil* (the "ideal man"). Muhammad is in no way considered divine, nor is he worshipped (no image of Muhammad is permitted lest it encourage idolatry), but he is the model par excellence for all Muslims in how they should conduct themselves. It is through Muhammad's personal teachings and actions -- which make up the "way of the Prophet," the Sunnah -- that Muslims discern what a good and holy life is. Details about the Prophet -- how he lived, what he did, his non-Quranic utterances, his personal habits -- are indispensable knowledge for any faithful Muslim.

Knowledge of the Sunnah comes primarily from the Hadith's ("reports") about Muhammad's life, which were passed down orally until codified in the eighth century AD, some hundred years after Muhammad's death. The Hadith's comprise the most important body of Islamic texts after the Quran; they are basically a collection of anecdotes about Muhammad's life believed to have originated with those who knew him personally. There are thousands upon thousands of Hadith's, some running to multiple pages, some barely a few lines in length. When the Hadith's were first compiled in the eighth century AD, it became obvious that many were inauthentic. The early Muslim scholars of Hadith spent tremendous labour trying to determine which Hadith's were authoritative and which were suspect.

The Hadith's here come exclusively from the most reliable and authoritative collection, Sahih Al-Bukhari, recognised as sound by all schools of Islamic scholarship, translated by a Muslim scholar and which may be found here. Different translations of Hadith's can vary in their breakdown of volume, book, and number, but the content is the same. For each Hadith, the classifying information is listed first, then the name of the originator of the Hadith (generally someone who knew Muhammad personally), and then the content itself. While the absolute authenticity of even a sound Hadith is hardly assured, they are nonetheless accepted as authoritative within an Islamic context.

Because Muhammad is himself the measuring stick of morality, his actions are not judged according to an independent moral standard but rather establish what the standard for Muslims properly is.

Volume 7, Book 62, Number 88; Narrated Ursa: The Prophet wrote the (marriage contract) with Aisha while she was six years old and consummated his marriage with her while she was nine years old and she remained with him for nine years (i.e. till his death).

Volume 8, Book 82, Number 795; Narrated Anas: The Prophet cut off the hands and feet of the men belonging to the tribe of Uraina and did not cauterise (their bleeding limbs) till they died.

Volume 2, Book 23, Number 413; Narrated Abdullah bin Umar: The Jews {of Medina} brought to the Prophet a man and a woman from amongst them who have committed (adultery) illegal sexual intercourse. He ordered both of them to be stoned (to death), near the place of offering the funeral prayers beside the mosque.

Volume 9, Book 84, Number 57; Narrated Ikrima: Some Zanadiqa (atheists) were brought to Ali {the fourth Caliph} and he burnt them. The news of this event, reached Ibn 'Abbas who said, "If I had been in his place, I would not have burnt them, as Allah's Apostle forbade it, saying, "Do not punish anybody with Allah's punishment (fire)." I would have killed them according to the statement of Allah's Apostle, "Whoever changes his Islamic religion, then kill him."

Volume 1, Book 2, Number 25; Narrated Abu Huraira: Allah's Apostle was asked, "What is the best deed?" He replied, "To believe in Allah and His Apostle (Muhammad). The questioner then asked, "What is the next (in goodness)?" He replied, "To participate in Jihad (religious fighting) in Allah's Cause."

In Islam, there is no "natural" sense of morality or justice that transcends the specific examples and injunctions outlined in the Quran and the Sunnah. Because Muhammad is considered Allah's final prophet and the Quran the eternal, unalterable words of Allah himself, there is also no evolving morality that permits the modification or integration of Islamic morality with that from other sources. The entire Islamic moral universe devolves solely from the life and teachings of Muhammad.

Along with the reliable Hadith's, a further source of accepted knowledge about Muhammad comes from the Sira (life) of the Prophet, composed by one of Islam's great scholars, Muhammad bin Ishaq, in the eighth century AD.

Muhammad's prophetic career is meaningfully divided into two segments: the first in Mecca, where he laboured for fourteen years to make converts to Islam; and later in the city of Medina (The City of the Apostle of God), where he became a powerful political and military leader. In Mecca, we see a quasi-Biblical figure, preaching repentance and charity, harassed and rejected by those around him; later, in Medina, we see an able commander and strategist who systematically conquered and killed those who opposed him. It is the later years of Muhammad's life, from 622 AD to his death in 632, that are rarely broached in polite company. In 622, when the Prophet was better than fifty years old, he and his followers made the Hijra (emigration or flight), from Mecca to the oasis of Yathrib -- later renamed Medina -- some 200 miles to the north. Muhammad's new monotheism had angered the pagan leaders of Mecca, and the flight to Medina was precipitated by a probable attempt on Muhammad's life. Muhammad had sent emissaries to Medina to ensure his welcome. He was accepted by the Medinan tribes as the leader of the Muslims and as arbiter of inter-tribal disputes.

Shortly before Muhammad fled the hostility of Mecca, a new batch of Muslim converts pledged their loyalty to him on a hill outside Mecca called Aqaba. Ishaq here conveys in the Sira the significance of this event:

Sira, p208: When God gave permission to his Apostle to fight, the second {oath of allegiance at} Aqaba contained conditions involving war which were not in the first act of fealty. Now they {Muhammad's followers} bound themselves to war against all and sundry for God and his Apostle, while he promised them for faithful service thus the reward of paradise.

That Muhammad's nascent religion underwent a significant change at this point is plain. The scholarly Ishaq clearly intends to impress on his (Muslim) readers that, while in its early years, Islam was a relatively tolerant creed that would "endure insult and forgive the ignorant," Allah soon required Muslims "to war against all and sundry for God and his Apostle." The Islamic calendar testifies to the paramouncy of the Hijra by setting year one from the date of its occurrence. The year of the Hijra, 622 AD, is considered more significant than the year of Muhammad's birth or death or that of the first Quranic

revelation because Islam is first and foremost a political-military enterprise. It was only when Muhammad left Mecca with his paramilitary band that Islam achieved its proper political-military articulation. The years of the Islamic calendar (which employs lunar months) are designated in English "AH" or "After Hijra."

i. The Battle of Badr

The Battle of Badr was the first significant engagement fought by the Prophet. Upon establishing himself in Medina following the Hijra, Muhammad began a series of razzias (raids) on caravans of the Meccan Quraish tribe on the route to Syria.

Volume 5, Book 59, Number 287; Narrated Kab bin Malik: The Apostle had gone out to meet the caravans of Quraish, but Allah caused them (i.e. Muslims) to meet their enemy unexpectedly (with no previous intention).

Volume 5, Book 59, Number 289; Narrated Ibn Abbas: On the day of the battle of Badr, the Prophet said, "O Allah! I appeal to You (to fulfill) Your Covenant and Promise. O Allah! If Your Will is that none should worship You (then give victory to the pagans)." Then Abu Bakr took hold of him by the hand and said, "This is sufficient for you." The Prophet came out saying, "Their multitude will be put to flight and they will show their backs." (54:45)

Having returned to Medina after the battle, Muhammad admonished the resident Jewish tribe of Qaynuqa to accept Islam or face a similar fate as the Quraish (3:12-13). The Qaynuqa agreed to leave Medina if they could retain their property, which Muhammad granted. Following the exile of the Bani Qaynuqa, Muhammad turned to individuals in Medina he considered to have acted treacherously. The Prophet particularly seems to have disliked the many poets who ridiculed his new religion and his claim to prophethood -- a theme evident today in the violent reactions of Muslims to any perceived mockery of Islam. In taking action against his opponents, "the ideal man" set precedents for all time as to how Muslims should deal with detractors of their religion.

Sira, p367: Then he {Kab bin al-Ashraf} composed amatory verses of an insulting nature about the Muslim women. The Apostle said: "Who will rid me of Ibnul-Ashraf?" Muhammad bin Maslama, brother of the Bani Abdu'l-Ashhal, said, "I will deal with him for you, O Apostle of God, I will kill him." He said, "Do so if you can." "All that is incumbent upon you is that you should try" {said the Prophet to Muhammad bin Maslama}. He said, "O Apostle of God, we shall have to tell lies." He {the Prophet} answered, "Say what you like, for you are free in the matter."

Volume 4, Book 52, Number 270; Narrated Jabir bin 'Abdullah: The Prophet said, "Who is ready to kill Kab bin Al-Ashraf who has really hurt Allah and His Apostle?" Muhammad bin Maslama said, "O Allah's Apostle! Do you like me to kill him?" He replied in the affirmative. So, Muhammad bin Maslama went to him (i.e. Kab) and said, "This person (i.e. the Prophet) has put us to task and asked us for charity." Kab replied, "By Allah, you will get tired of him." Muhammad said to him, "We have followed him, so we dislike to leave him till we see the end of his affair." Muhammad bin Maslama went on talking to him in this way till he got the chance to kill him.

A significant portion of the Sira is devoted to poetry composed by Muhammad's followers and his enemies in rhetorical duels that mirrored those in the field. There seems to have been an informal competition in aggrandising oneself, one's tribe, and one's God while ridiculing one's adversary in eloquent and memorable ways. Kab bin Malik, one of the assassins of his brother, Kab bin al-Ashraf, composed the following:

Sira, p368: Kab bin Malik said: Of them Kab was left prostrate there (After his fall {the Jewish tribe of} al-Nadir were brought low). Sword in hand we cut him down By Muhammad's order when he sent secretly by night Kab's brother to go to Kab. He beguiled him and brought him down with guile Mahmud was trustworthy, bold.

ii. The Battle of Uhud

The Meccan Quraish regrouped for an attack on the Muslims at Medina. Muhammad got wind of the Meccan force coming to attack him and encamped his forces on a small hillock north of Medina named Uhud, where the ensuing battle took place.

Volume 5, Book 59, Number 377; Narrated Jabir bin Abdullah: On the day of the battle of Uhud, a man came to the Prophet and said, "Can you tell me where I will be if I should get martyred?" The Prophet replied, "In Paradise." The man threw away some dates he was carrying in his hand, and fought till he was martyred.

Volume 5, Book 59, Number 375; Narrated Al-Bara: when we faced the enemy, they took to their heel till I saw their women running towards the mountain, lifting up their clothes from their legs, revealing their leg-bangles. The Muslims started saying, "The booty, the booty!" Abdullah bin Jubair said, "The Prophet had taken a firm promise from me not to leave this place." But his companions refused (to stay). So when they refused (to stay there), (Allah) confused them so that they could not know where to go, and they suffered seventy casualties.

Though deprived of victory at Uhud, Muhammad was by no means vanquished. He continued making raids that made being a Muslim not only virtuous in the eyes of Allah but lucrative as well. In an Islamic worldview, there is no incompatibility between wealth, power, and holiness. Indeed, as a member of the true faith, it is only logical that one should also enjoy the material bounty of Allah -- even if that means plundering it from infidels.

As Muhammad had neutralised the Jewish tribe of Bani Qaynuqa after Badr, he now turned to the Bani Nadir after Uhud. According to the Sira, Allah warned Muhammad of an attempt to assassinate him, and the Prophet ordered the Muslims to prepare for war against the Bani Nadir. The Bani Nadir agreed to go into exile if Muhammad permitted them to retain their movable property. Muhammad agreed to these terms save that they leave behind their armour.

iii. The Battle of Medina

In 627 AD, Muhammad faced the greatest challenge to his new community. In that year, the Quraish of Mecca made their most determined attack on the Muslims at Medina itself. Muhammad thought it advisable not to engage them in a pitched battle as at Uhud but took shelter in Medina, protected as it was by lava flows on three sides. The Meccans would have to attack from the northwest in a valley between the flows, and it was there that Muhammad ordered a trench dug for the city's defence.

Volume 4, Book 52, Number 208; Narrated Anas: On the day (of the battle) of the Trench, the Ansar {new converts to Islam} were saying, "We are those who have sworn allegiance to Muhammad for Jihad (for ever) as long as we live." The Prophet replied to them, "O Allah! There is no life except the life of the Hereafter. So honour the Ansar and emigrants {from Mecca} with Your Generosity."

And Narrated Mujashi: My brother and I came to the Prophet and I requested him to take the pledge of allegiance from us for migration. He said, "Migration has passed away with its people." I asked, "For what will you take the pledge of allegiance from us then?" He said, "I will take (the pledge) for Islam and Jihad."

The Meccans were foiled by the trench and only able to send small raiding parties across it. After several days, they turned back for Mecca. Following his victory, Muhammad turned to the third Jewish tribe at Medina, the Bani Quraiza. While the Bani Qaynuqa and Bani Nadir had suffered exile, the fate of the Bani Quraiza would be considerably more dire.

Sira, p463-4: Then they {the tribe of Quraiza} surrendered, and the apostle confined them in Medina in the quarter of d. al-Harith, a woman of Bani al-Najjar. Then the apostle went out to the market of Medina and dug trenches in it. Then he sent for them and struck off their heads in those trenches as they were brought out to him in batches. Among them was the enemy of Allah Huyayy bin Akhtab and Kab bin Asad their chief. There were 600 or 700 in all, though some put the figure as high as 800 or 900. As they were being taken out in batches to the Apostle they asked Kab what he thought would be done with them. He replied, "Will you never understand? Don't you see that the summoner never stops and those who are taken away do not return? By Allah it is death!" This went on until the Apostle made an end of them.

Thus do we find the clear precedent that explains the peculiar penchant of Islamic terrorists to behead their victims: it is merely another precedent bestowed by their Prophet.

Following yet another of the Muslims' raids, this time on a place called Khaibar, "The women of Khaibar were distributed among the Muslims" as was usual practice. (Sira, p511) The raid at Khaibar had been against the Bani Nadir, whom Muhammad had earlier exiled from Medina.

Sira, p515: Kinana bin al-Rabi, who had the custody of the treasure of Bani al-Nadir, was brought to the Apostle who asked him about it. He denied that he knew where it was. A Jew came to the Apostle and said that he had seen Kinana going round a certain ruin every morning early. When the Apostle said to Kinana, "Do you know that if we find you have it I shall kill you?" he said, Yes. The Apostle gave orders that the ruin was to be excavated and some of the treasure was found. When he asked him about the rest he refused to produce it, so the Apostle gave orders to al-Zubayr bin al-Awwam, "Torture him until you extract what he has," so he kindled a fire with flint and steel on his chest until he was nearly dead. Then the Apostle delivered him to Muhammad bin Maslama and he struck off his head, in revenge for his brother Mahmud.

iv. The Conquest of Mecca

Muhammad's greatest victory came in 632 AD, ten years after he and his followers had been forced to flee to Medina. In that year, he assembled a force of some ten thousand Muslims and allied tribes and descended on Mecca. "The Apostle had instructed his commanders when they entered Mecca only to fight those who resisted them, except a small number who were to be killed even if they were found beneath the curtains of the Kaba." (Sira, p550)

Volume 3, Book 29, Number 72; Narrated Anas bin Malik: Allah's Apostle entered Mecca in the year of its Conquest wearing an Arabian helmet on his head and when the Prophet took it off, a person came and said, "Ibn Khatal is holding the covering of the Kaba (taking refuge in the Kaba)." The Prophet said, "Kill him."

Following the conquest of Mecca, Muhammad outlined the future of his religion.

Volume 4, Book 52, Number 177; Narrated Abu Huraira: Allah's Apostle said, "The Hour {of the Last Judgment} will not be established until you fight with the Jews, and the stone behind which a Jew will be hiding will say, "O Muslim! There is a Jew hiding behind me, so kill him."

Volume 1, Book 2, Number 24; Narrated Ibn Umar: Allah's Apostle said: "I have been ordered (by Allah) to fight against the people until they testify that none has the right to be worshipped but Allah and that Muhammad is Allah's Apostle, and offer the prayers perfectly and give the obligatory charity, so if they perform that, then they save their lives and property from me except for Islamic laws and then their reckoning (accounts) will be done by Allah."

It is from such warlike pronouncements as these that Islamic scholarship divides the world into dar al-Islam (the House of Islam, i.e., those nations who have submitted to Allah) and dar al-harb (the House of War, i.e., those who have not). It is this dispensation that the world lived under in Muhammad's time and that it lives under today. Then as now, Islam's message to the unbelieving world is the same: submit or be conquered.

d. Sharia Law

Unlike many religions, Islam includes a mandatory and highly specific legal and political plan for society called Sharia, which translates approximately as "way" or "path." The precepts of Sharia are derived from the commandments of the Quran and the Sunnah (the teachings and precedents of Muhammad as found in the reliable Hadith's and the Sira). Together, the Quran and the Sunnah establish the dictates of Sharia, which is the blueprint for the good Islamic society. Because Sharia originates with the Quran and the Sunnah, it is not optional. Sharia is the legal code ordained by Allah for all mankind. To violate Sharia or not to accept its authority is to commit rebellion against Allah, which Allah's faithful are required to combat.

There is no separation between the religious and the political in Islam; rather Islam and Sharia constitute a comprehensive means of ordering society at every level. While it is in theory possible for an Islamic society to have different outward forms -- an elective system of government, a hereditary monarchy, etc. -- whatever the outward structure of the government, Sharia is the prescribed content. It is this fact that puts Sharia into conflict with forms of government based on anything other than the Quran and the Sunnah.

The precepts of Sharia may be divided into two parts:

1. Acts of worship (al-ibadat), which includes:

Ritual Purification (Wudu)
Prayers (Salah)
Fasts (Sawm and Ramadan)

Charity (Zakat)
Pilgrimage to Mecca (Hajj)

2. Human interaction (al-muamalat), which includes:

Financial transactions
Endowments
Laws of inheritance
Marriage, divorce, and child care
Food and drink (including ritual slaughtering and hunting)
Penal punishments
War and peace
Judicial matters (including witnesses and forms of evidence)

As one may see, there are few aspects of life that Sharia does not specifically govern. Everything from washing one's hands to child-rearing to taxation to military policy falls under its dictates. Because Sharia is derivative of the Quran and the Sunnah, it affords some room for interpretation. But upon examination of the Islamic sources (see above), it is apparent that any meaningful application of Sharia is going to look very different from anything resembling a free or open society in the Western sense. The stoning of adulterers, execution of apostates and blasphemers, repression of other religions, and a mandatory hostility toward non-Islamic nations punctuated by regular warfare will be the norm. It seems fair then to classify Islam and its Sharia code as a form of totalitarianism.

2. Jihad and Dhimmitude

a. What does "Jihad" mean?

Jihad literally translates as "struggle." Strictly speaking, jihad does not mean "holy war" as Muslim apologists often point out. However, the question remains as to what sort of "struggle" is meant: an inner, spiritual struggle against the passions, or an outward, physical struggle.

As in any case of trying to determine Islamic teaching on a particular matter, one must look to the Quran and the Sunnah. From those sources (see above) it is evident that a Muslim is required to struggle against a variety of things: laziness in prayer, neglecting to give zakat (alms), etc. But is it also plain that a Muslim is commanded to struggle in physical combat against the infidel as well. Muhammad's impressive military career attests to the central role that military action plays in Islam.

b. Hasan Al-Banna on jihad

Below are excerpts from Hasan Al-Banna's treatise, Jihad. In 1928, Al-Banna founded the Muslim Brotherhood, which today is the most powerful organisation in Egypt after the government itself. In this treatise, Al-Banna cogently argues that Muslims must take up arms against unbelievers. As he says, "The verses of the Qur'an and the Sunnah summon people in general (with the most eloquent expression and the clearest exposition) to jihad, to warfare, to the armed forces, and all means of land and sea fighting."

All Muslims Must Make Jihad

Jihad is an obligation from Allah on every Muslim and cannot be ignored nor evaded. Allah has ascribed great importance to jihad and has made the reward of the martyrs and the fighters in His way a splendid one. Only those who have acted similarly and who have

modelled themselves upon the martyrs in their performance of jihad can join them in this reward. Furthermore, Allah has specifically honoured the Mujahideen {those who wage jihad} with certain exceptional qualities, both spiritual and practical, to benefit them in this world and the next. Their pure blood is a symbol of victory in this world and the mark of success and felicity in the world to come.

Those who can only find excuses, however, have been warned of extremely dreadful punishments and Allah has described them with the most unfortunate of names. He has reprimanded them for their cowardice and lack of spirit, and castigated them for their weakness and truancy. In this world, they will be surrounded by dishonour and in the next they will be surrounded by the fire from which they shall not escape though they may possess much wealth. The weaknesses of abstention and evasion of jihad are regarded by Allah as one of the major sins, and one of the seven sins that guarantee failure.

Islam is concerned with the question of jihad and the drafting and the mobilisation of the entire Ummah {the global Muslim community} into one body to defend the right cause with all its strength than any other ancient or modern system of living, whether religious or civil. The verses of the Qur'an and the Sunnah of Muhammad (PBUH {Peace Be Unto Him}) are overflowing with all these noble ideals and they summon people in general (with the most eloquent expression and the clearest exposition) to jihad, to warfare, to the armed forces, and all means of land and sea fighting.

Here Al-Banna offers citations from the Quran and the reliable Hadith's that demonstrate the necessity of combat for Muslims. The citations are comparable to those included in Islam 101 section 1b and are here omitted.

The Scholars on Jihad

I have just presented to you some verses from the Qur'an and the Noble Ahadith concerning the importance of jihad. Now I would like to present to you some of the opinions from jurisprudence of the Islamic Schools of Thought including some latter day authorities regarding the rules of jihad and the necessity for preparedness. From this we will come to realise how far the ummah has deviated in its practice of Islam as can be seen from the consensus of its scholars on the question of jihad.

The author of the 'Majma' al-Anhar fi Sharh Multaqal-Abhar', in describing the rules of jihad according to the Hanafi School, said: 'Jihad linguistically means to exert one's utmost effort in word and action; in the Sharee'ah {Sharia -- Islamic law} it is the fighting of the unbelievers, and involves all possible efforts that are necessary to dismantle the power of the enemies of Islam including beating them, plundering their wealth, destroying their places of worship and smashing their idols. This means that jihad is to strive to the utmost to ensure the strength of Islam by such means as fighting those who fight you and the dhimmies {non-Muslims living under Islamic rule} (if they violate any of the terms of the treaty) and the apostates (who are the worst of unbelievers, for they disbelieved after they have affirmed their belief).

It is fard (obligatory) on us to fight with the enemies. The Imam must send a military expedition to the Dar-al-Harb {House of War -- the non-Muslim world} every year at least once or twice, and the people must support him in this. If some of the people fulfill the obligation, the remainder are released from the obligation. If this fard kifayah (communal obligation) cannot be fulfilled by that group, then the responsibility lies with the closest adjacent group, and then the closest after that etc., and if the fard kifayah cannot be fulfilled except by all the people, it then becomes a fard 'ayn (individual obligation), like prayer on everyone of the people.

The scholarly people are of one opinion on this matter as should be evident and this is irrespective of whether these scholars were Mujtahideen or Muqalideen and it is irrespective of whether these scholars were salaf (early) or khalaf (late). They all agreed unanimously that jihad is a fard kifayah imposed upon the Islamic ummah in order to spread the Da'wah of Islam, and that jihad is a fard 'ayn if an enemy attacks Muslim lands. Today, my brother, the Muslims as you know are forced to be subservient before others and are ruled by

disbelievers. Our lands have been besieged, and our hurruma'at (personal possessions, respect, honour, dignity and privacy) violated. Our enemies are overlooking our affairs, and the rites of our din are under their jurisdiction. Yet still the Muslims fail to fulfill the responsibility of Da'wah that is on their shoulders. Hence in this situation it becomes the duty of each and every Muslim to make jihad. He should prepare himself mentally and physically such that when comes the decision of Allah, he will be ready.

I should not finish this discussion without mentioning to you that the Muslims, throughout every period of their history (before the present period of oppression in which their dignity has been lost) have never abandoned jihad nor did they ever become negligent in its performance, not even their religious authorities, mystics, craftsmen, etc. They were all always ready and prepared. For example, Abdullah ibn al Mubarak, a very learned and pious man, was a volunteer in jihad for most of his life, and 'Abdulwahid bin Zayd, a sufi and a devout man, was the same. And in his time, Shaqiq al Balkhi, the shaykh of the sufis encouraged his pupils towards jihad.

Associated Matters Concerning Jihad

Many Muslims today mistakenly believe that fighting the enemy is jihad asghar (a lesser jihad) and that fighting one's ego is jihad akbar (a greater jihad). The following narration [athar] is quoted as proof: "We have returned from the lesser jihad to embark on the greater jihad." They said: "What is the greater jihad?" He said: "The jihad of the heart, or the jihad against one's ego."

This narration is used by some to lessen the importance of fighting, to discourage any preparation for combat, and to deter any offering of jihad in Allah's way. This narration is not a saheeh (sound) tradition: The prominent muhaddith Al Hafiz ibn Hajar al-Asqalani said in the Tasdid al-Qaws:

'It is well known and often repeated, and was a saying of Ibrahim ibn 'Abla.'

Al Hafiz Al Iraqi said in the Takhrij Ahadith al-Ahya':

'Al Bayhaqi transmitted it with a weak chain of narrators on the authority of Jabir, and Al Khatib transmitted it in his history on the authority of Jabir.'

Nevertheless, even if it were a sound tradition, it would never warrant abandoning jihad or preparing for it in order to rescue the territories of the Muslims and repel the attacks of the disbelievers. Let it be known that this narration simply emphasises the importance of struggling against one's ego so that Allah will be the sole purpose of everyone of our actions.

Other associated matters concerning jihad include commanding the good and forbidding the evil. It is said in the Hadeeth: "One of the greatest forms of jihad is to utter a word of truth in the presence of a tyrannical ruler." But nothing compares to the honour of shahadah kubra (the supreme martyrdom) or the reward that is waiting for the Mujahideen.

Epilogue

My brothers! The ummah that knows how to die a noble and honourable death is granted an exalted life in this world and eternal felicity in the next. Degradation and dishonour are the results of the love of this world and the fear of death. Therefore prepare for jihad and be the lovers of death. Life itself shall come searching after you.

My brothers, you should know that one day you will face death and this ominous event can only occur once. If you suffer on this occasion in the way of Allah, it will be to your benefit in this world and your reward in the next. And remember brother that nothing can happen without the Will of Allah: ponder well what Allah, the Blessed, the Almighty, has said:

'Then after the distress, He sent down security for you. Slumber overtook a party of you, while another party was thinking about themselves (as to how to save themselves, ignoring the others and the Prophet) and thought wrongly of Allah -

the thought of ignorance. They said, "Have we any part in the affair?" Say you (O Muhammad): "Indeed the affair belongs wholly to Allah." They hide within themselves what they dare not reveal to you, saying: "If we had anything to do with the affair, none of us would have been killed here." Say: "Even if you had remained in your homes, those for whom death was decreed would certainly have gone forth to the place of their death: but that Allah might test what is in your hearts; and to purify that which was in your hearts (sins), and Allah is All-Knower of what is in (your) hearts." {Sura 3:154}

c. Dar al-Islam and dar al-harb: the House of Islam and the House of War

The violent injunctions of the Quran and the violent precedents set by Muhammad set the tone for the Islamic view of politics and of world history. Islamic scholarship divides the world into two spheres of influence, the House of Islam (dar al-Islam) and the House of War (dar al-harb). Islam means submission, and so the House of Islam includes those nations that have submitted to Islamic rule, which is to say those nations ruled by Sharia law. The rest of the world, which has not accepted Sharia law and so is not in a state of submission, exists in a state of rebellion or war with the will of Allah. It is incumbent on dar al-Islam to make war upon dar al-harb until such time that all nations submit to the will of Allah and accept Sharia law. Islam's message to the non-Muslim world is the same now as it was in the time of Muhammad and throughout history: submit or be conquered. The only times since Muhammad when dar al-Islam was not actively at war with dar al-harb were when the Muslim world was too weak or divided to make war effectively.

But the lulls in the ongoing war that the House of Islam has declared against the House of War do not indicate a forsaking of jihad as a principle but reflect a change in strategic factors. It is acceptable for Muslim nations to declare hudna, or truce, at times when the infidel nations are too powerful for open warfare to make sense. Jihad is not a collective suicide pact even while "killing and being killed" (Sura 9:111) is encouraged on an individual level. For the past few hundred years, the Muslim world has been too politically fragmented and technologically inferior to pose a major threat to the West. But that is changing.

1.5 Al-Taqiyya – Religious/political deception

Due to the state of war between dar al-Islam and dar al-harb, systematic lying to the infidel must be considered part and parcel of Islamic tactics. The parroting by Muslim organisations throughout dar al-harb that "Islam is a religion of peace," or that the origins of Muslim violence lie in the unbalanced psyches of particular individual "fanatics," must be considered as disinformation intended to induce the infidel world to let down its guard. Of course, individual Muslims may genuinely regard their religion as "peaceful", but only insofar as they are ignorant of its true teachings, or in the sense of the Egyptian theorist Sayyid Qutb, who posited in his *Islam and Universal Peace* that true peace would prevail in the world just as soon as Islam had conquered it.

A telling point is that, while Muslims who present their religion as peaceful abound throughout dar al-harb, they are nearly non-existent in dar al-Islam. A Muslim apostate once suggested to me a litmus test for Westerners who believe that Islam is a religion of "peace" and "tolerance": try making that point on a street corner in Ramallah, or Riyadh, or Islamabad, or anywhere in the Muslim world. He assured me you wouldn't live five minutes.

{A} problem concerning law and order {with respect to Muslims in dar al-harb} arises from an ancient Islamic legal principle -- that of taqiyya, a word the root meaning of which is "to remain faithful" but which in effect means "dissimulation." It has full Quranic authority (3:28 and 16:106) and allows the Muslim to conform outwardly to the requirements of un-Islamic or non-Islamic government, while inwardly "remaining faithful" to whatever he conceives to be proper Islam, while waiting for the tide to turn. (Hiskett, *Some to Mecca Turn to Pray*, 101.)

Volume 4, Book 52, Number 269; Narrated Jabir bin 'Abdullah: The Prophet said, "War is deceit."

Historically, examples of al-taqiyya include permission to renounce Islam itself in order to save one's neck or ingratiate oneself with an enemy. It is not hard to see that the implications of taqiyya are insidious in the extreme: they essentially render negotiated settlement -- and, indeed, all veracious communication between dar al-Islam and dar al-harb -- impossible. It should not, however, be surprising that a party to a war should seek to mislead the other about its means and intentions. Jihad Watch's own Hugh Fitzgerald sums up taqiyya and kitman, a related form of deception.

"Taqiyya" is the religiously-sanctioned doctrine, with its origins in Shi'a Islam but now practiced by non-Shi'a as well, of deliberate dissimulation about religious matters that may be undertaken to protect Islam, and the Believers. A related term, of broader application, is "kitman," which is defined as "mental reservation." An example of "Taqiyya" would be the insistence of a Muslim apologist that "of course" there is freedom of conscience in Islam, and then quoting that Qur'anic verse -- "There shall be no compulsion in religion." {2:256} But the impression given will be false, for there has been no mention of the Muslim doctrine of abrogation, or naskh, whereby such an early verse as that about "no compulsion in religion" has been cancelled out by later, far more intolerant and malevolent verses. In any case, history shows that within Islam there is, and always has been, "compulsion in religion" for Muslims, and for non-Muslims.

"Kitman" is close to "taqiyya," but rather than outright dissimulation, it consists in telling only a part of the truth, with "mental reservation" justifying the omission of the rest. One example may suffice. When a Muslim maintains that "jihad" really means "a spiritual struggle," and fails to add that this definition is a recent one in Islam (little more than a century old), he misleads by holding back, and is practicing "kitman." When he adduces, in support of this doubtful proposition, the hadith in which Muhammad, returning home from one of his many battles, is reported to have said (as known from a chain of transmitters, or isnad), that he had returned from "the Lesser Jihad to the Greater Jihad" and does not add what he also knows to be true, that this is a "weak" hadith, regarded by the most-respected muhaddithin as of doubtful authenticity, he is further practicing "kitman."

In times when the greater strength of dar al-harb necessitates that the jihad take an indirect approach, the natural attitude of a Muslim to the infidel world must be one of deception and omission. Revealing frankly the ultimate goal of dar al-Islam to conquer and plunder dar al-harb when the latter holds the military trump cards would be strategic idiocy. Fortunately for the jihadists, most infidels do not understand how one is to read the Quran, nor do they trouble themselves to find out what Muhammad actually did and taught, which makes it easy to give the impression through selective quotations and omissions that "Islam is a religion of peace." Any infidel who wants to believe such fiction will happily persist in his mistake having been cited a handful of Meccan verses and told that Muhammad was a man of great piety and charity. Digging only slightly deeper is sufficient to dispel the falsehood.

ii. How al-Taqiyya is a central part of the Islamisation of Europe

The following article will demonstrate that the concept of "al-Taqiyya" is an integral part of Islam, and that it is NOT a Shi'ite concoction. I had to shorten the analysis considerably. You can however see sources for more material.

The word "al-Taqiyya" literally means: "Concealing or disguising one's beliefs, convictions, ideas, feelings, opinions, and/or strategies at a time of eminent danger, whether now or later in time, to save oneself from physical and/or mental injury." A one-word translation would be "Dissimulation."

Rejecting al-Taqiyya is rejecting the Quran, as will be shown:

Reference 1:

Jalal al-Din al-Suyuti in his book, "al-Durr al-Manthoor Fi al-Tafsir al-Ma'athoor," narrates Ibn Abbas', the most renowned and trusted narrator of tradition in the sight of the Sunnis, opinion regarding al-Taqiyya in the Quranic verse: "Let not the believers take for friends or helpers unbelievers rather than believers: if any do that, (they) shall have no relation left with Allah except by way of precaution ("tat-taqooh"), that ye may guard yourselves ("tooqatan") from them....[3:28]" that Ibn Abbas said:

"al-Taqiyya is with the tongue only; he who has been coerced into saying that which angers Allah, and his heart is comfortable (i.e., his true faith has not been shaken.), then (saying that which he has been coerced to say) will not harm him (at all); (because) al-Taqiyya is with the tongue only, (not the heart)."

NOTE 1: The two words "tat-taqooh" and "tooqatan," as mentioned in the Arabic Quran, are both from the same root of "al-Taqiyya."

NOTE 2: The "heart" as referred to above and in later occurrences refers to the center of faith in an individual's existence. It is mentioned many times in the Quran.

Reference 2:

Ibn Abbas also commented on the above verse, as narrated in Sunan al-Bayhaqi and Mustadrak al-Hakim, by saying:

"al-Taqiyya is the uttering of the tongue, while the heart is comfortable with faith."

NOTE: The meaning is that the tongue is permitted to utter anything in a time of need, as long as the heart is not affected; and one is still comfortable with faith.

Reference 3:

Abu Bakr al-Razi in his book, "Ahkam al-Quran," v2, p10, has explained the aforementioned verse "...except by way of precaution ("tat-taqooh"), that ye may guard yourselves ("tooqatan") from them....[3:28]" by affirming that al-Taqiyya should be used

when one is afraid for life and/or limb. In addition, he has narrated that Qutadah said with regards to the above verse:

"It is permissible to speak words of unbelief when al-Taqiyya is mandatory."

Reference 4:

It has been narrated by Abd al-Razak, Ibn Sa'd, Ibn Jarir, Ibn Abi Hatim, Ibn Mardawayh, al-Bayhaqi in his book "al- Dala-il," and it was corrected by al-Hakim in his book "al-Mustadrak" that:

"The non-believers arrested `Ammar Ibn Yasir and (tortured him until) he uttered foul words about Muhammad, and praised their gods (idols); and when they released him, he went straight to the Prophet. The Prophet said: "Is there something on your mind?" `Ammar Ibn Yasir said: "Bad (news)! They would not release me until I defamed you and praised their gods!" The Prophet said: "How do you find your heart to be?" `Ammar answered: "Comfortable with faith." So the Prophet said: "Then if they come back for you, then do the same thing all over again." Allah at that moment revealed the verse: "...except under compulsion, his heart remaining firm in faith...[16:106]"

NOTE: The full verse that was quoted partially as part of the tradition above, is: "Anyone who, after accepting Faith in Allah, utters unbelief, except under compulsion, his heart remaining firm in faith -- but such as open their breast to unbelief, -- on them is Wrath from Allah, and theirs will be a dreadful Chastisement [16:106]." (Emphasis Mine)

Reference 5:

It is narrated in Sunan al-Bayhaqi that Ibn Abbas explained the above verse "Anyone who, after accepting Faith in Allah, utters unbelief...[16:106]" by saying:

"The meaning that Allah is conveying is that he who utters unbelief after having believed, shall deserve the Wrath of Allah and a terrible punishment. However, those who have been coerced, and as such uttered with their tongues that which their hearts did not confirm to escape persecution, have nothing to fear; for Allah holds His servants responsible for that which their hearts have ratified."

Reference 6:

Another explanation of the above verse is provided by Jalal al-Din al-Suyuti in his book, "al-Durr al-Manthoor Fi al- Tafsir al-Ma-athoor," vol. 2, p178; he says:

"Ibn Abi Shaybah, Ibn Jarir, Ibn Munzir, and Ibn Abi Hatim narrated on the authority of Mujtahid (a man's name) that this verse was revealed in relation to the following event: A group of people from Mecca accepted Islam and professed their belief; as a result, the companions in Medina wrote to them requesting that they emigrate to Medina; for if they don't do so, they shall not be considered as those who are among the believers. In compliance, the group left Mecca, but were soon ambushed by the non-believers (Quraish) before reaching their destination; they were coerced into disbelief, and they professed it. As a result, the verse "...except under compulsion, his heart remaining firm in faith [16:106]..." was revealed."

Reference 7:

Ibn Sa'd in his book, "al-Tabaqat al-Kubra," narrates on the authority of Ibn Sirin that:

The Prophet saw `Ammar Ibn Yasir crying, so he wiped off his (RA) tears, and said: "The non-believers arrested you and immersed you in water until you said such and such (i.e., bad-mouthing the Prophet and praising the pagan gods to escape persecution); if they come back, then say it again."

Reference 8:

It is narrated in al-Sirah al-Halabiyyah, v3, p61, that:

After the conquest of the city of Khaybar by the Muslims, the Prophet was approached by Hajaj Ibn `Aalat and told: "O Prophet of Allah: I have in Mecca some excess wealth and some relatives, and I would like to have them back; am I excused if I bad-mouth you (to escape persecution)?" The Prophet excused him and said: "Say whatever you have to say."

Reference 9:

It is narrated by al-Ghazzali in his book, "Ihya `Uloom al-Din," that:

Safeguarding of a Muslim's life is a mandatory obligation that should be observed; and that lying is permissible when the shedding of a Muslim's blood is at stake.

Reference 10:

Jalal al-Din al-Suyuti in his book, "al-Ashbah Wa al-Naza'ir," affirms that:

"it is acceptable (for a Muslim) to eat the meat of a dead animal at a time of great hunger (starvation to the extent that the stomach is devoid of all food); and to loosen a bite of food (for fear of choking to death) by alcohol; and to utter words of unbelief; and if one is living in an environment where evil and corruption are the pervasive norm, and permissible things (Halal) are the exception and a rarity, then one can utilise whatever is available to fulfill his needs."

NOTE: The reference to the consumption of a dead animal is meant to illustrate that even forbidden things become permissible in a time of need.

Reference 11:

Jalal al-Din al-Suyuti in his book, "al-Durr al-Manthoor Fi al-Tafsir al-Ma'athoor," v2, p176, narrates that:

Abd Ibn Hameed, on the authority of al-Hassan, said: "al-Taqiyya is permissible until the Day of Judgment."

Reference 12:

Narrated in Sahih al-Bukhari, v7, p102, that Abu al-Darda' said:

"(Verily) we smile for some people, while our hearts curse (those same people)."

Reference 13:

Narrated in Sahih al-Bukhari, v7, p81, that the Prophet said:

"O `Aisha, the worst of people in the sight of Allah are those that are avoided by others due to their extreme impudence."

NOTE: The meaning here is that one is permitted to use deception to get along with people. The above tradition was narrated when a person sought permission to see the Holy Prophet and prior to his asking permission the Prophet said that he was not a good man, but still I shall see him. The Prophet talked to the person with utmost respect, upon which Aisha inquired as to why the Prophet talked to the person with respect despite his character, upon which the above reply was rendered.

Reference 14:

Narrated in Sahih Muslim (English version), Chapter MLXXVII, v4, p1373, Tradition #6303:

Humaid b. 'Abd al-Rahman b. 'Auf reported that his mother Umm Kulthum daughter of 'Uqba b. Abu Mu'ait, and she was one amongst the first emigrants who pledged allegiance to Allah's Apostle, as saying that she heard Allah's Messenger as saying: A liar is not one who tries to bring reconciliation amongst people and speaks good (in order to avert dispute), or he conveys good. Ibn Shihab said he did not hear that exemption was granted in anything what the people speak as lie but in three cases: in battle, when infiltrating the enemy and for bringing temporary reconciliation amongst persons.

The (Sunni) commentator of this volume of Sahih Muslim, Abdul Hamid Siddiqi, provides the following commentary:

Telling of a lie is a grave sin but a Muslim is permitted to tell a lie in some several cases.

Please refer to Sahih Muslim Volume IV, Chapter MLXXVII, Tradition no. 6303 p1373, English only - Abdul Hamid Siddiqi

Al-Taqiyya vs. Hypocrisy [2]

Some people have fallen victim to confusing al-Taqiyya with hypocrisy, when in fact they (al-Taqiyya and Hypocrisy) are two opposite extremes. Al-Taqiyya is concealing faith and displaying non-belief; while Hypocrisy is the concealment of unbelief and the display of belief. They are total opposites in function, form, and meaning.

The Quran reveals the nature of hypocrisy with the following verse:

"When they meet those who believe, they say: `We Believe;' but when they are alone with their evil ones, they say: `We are really with you, we (were) only jesting [2:14]."

The Quran then reveals al-Taqiyya with the following verses:

"A Believer, a man from among the people of Pharaoh, who had concealed his faith, said: "Will ye slay a man because he says, `My Lord is Allah'?....[40:28]"

Also:

"Anyone who, after accepting Faith in Allah, utters unbelief, except under compulsion, his heart remaining firm in faith -- but such as open their breast to unbelief, -- on them is Wrath from Allah, and theirs will be a dreadful Chastisement [16:106]."

And also:

"Let not the believers take for friends or helpers unbelievers rather than believers: if any do that, (they) shall have no relation left with Allah except by way of precaution ("tat-taqooh"), that ye may guard yourselves ("tooqatan") from them....[3:28]"

Moreover:

And when Moses returned unto his people, angry and grieved, he said: Evil is that (course) which ye took after I had left you. Would ye hasten on the judgment of your Lord? And he cast down the tablets, and he seized his brother by the head, dragging him toward him. (Aaron) said: "Son of my mother! Lo! People did oppress me and they were about to kill me. Make not the enemies neither rejoice over my misfortune nor count thou me amongst the sinful people. [7:150]"

Now, we see that Allah himself has stated that one of His faithful servants CONCEALED his faith and pretended that he was a follower of the Pharaoh's religion to escape persecution. We also see that Prophet Aaron (Haroon) observed Taqiyya when his life was in danger. We also observe that al-Taqiyya is CLEARLY permitted in a time of need. In fact, the Book of Allah instructs us that we should escape a situation which causes our destruction for nothing:

"and make not your own hands contribute to your destruction [2:195]"

Reason and Logic for performing al-Taqiyya

Aside from the instructions of the Quran and Hadith on the permissibility and necessity of Taqiyya, such necessity can also be derived from a logical and rational standpoint. It is apparent to any discerning observer that Allah has bestowed upon His creation certain defence mechanisms and instincts to protect themselves from impending danger. What follows are some examples that serve to illustrate the above point.

It is clear that al-Taqiyya as a defence or attack mechanism is Allah's mercy to His creation, such that He has not left them unprotected. As such, al-Taqiyya, build upon an instinctive defence/attack mechanism that Allah has endowed humans with. The ability to use one's tongue to escape persecution when you are weak or vulnerable is indeed a supreme example of defence. Al-Taqiyya is a truism because it satisfies an instinctive need to survive and prosper.

Comments

It has been demonstrated under the section of "Sunni Sources In Support of al-Taqiyya" that it is permissible to lie and deceive if you are at a disadvantage or vulnerable to any non-Muslim (For example as long as Muslims are still a minority in Europe), as al-Ghazzali asserted; and that it is legitimate to utter words of unbelief as al-Suyuti stated; and that it is acceptable to smile at a person while your heart curses him as al-Bukhari confirms; and that al-Taqiyya is an integral part of the Quran itself, as has been shown under the section of "al-Taqiyya vs. Hypocrisy;" and that it was practiced by one of the most notable companions of the Prophet, none other than `Ammar Ibn Yasir; and we have seen that al-Suyuti narrates that al-Taqiyya is permissible until the Day of Judgment (When Islam has conquered the entire world); and that a person can say anything he wants, even to badmouth the Prophet if he is in a dangerous and restrictive situation; and we have also seen that even the Prophet himself practiced al-Taqiyya in a manner of deception that served to advance "temporary" good relations among selected neighbouring people until they could be conquered. Furthermore, keep in mind that the Prophet Muhammad did not disclose his mission for the first three years of his prophet hood, which was, in fact, another practice of al-Taqiyya by the Prophet to save the young Islam from annihilation.

There is NO difference between the Sunnis and Shia vis-a-vis al-Taqiyya, except that the Shia practices al-Taqiyya for fear of persecution from Sunnis, while the Sunnis are actively using it in its relations with the Western world (Especially for the majority of Muslims (Sunnis) who have immigrated to Europe and the US).

It is enough to say "I am a Shi'i" to get your head chopped off, even today in countries like Saudi Arabia. As for the Sunnis, they were never subjected to what the Shia have been subjected to, primarily because they have always been the friends of the so-called Islamic governments throughout the ages.

My comment here is that Wahhabis themselves do indeed practice al-Taqiyya, but they have been psychologically programmed by their mentors in such a way that they don't even recognise al-Taqiyya when they do actually practice it. Ahmad Didat said that the Christians have been programmed in such a way that they may read the Bible a million times, but will never spot an error! They are fixed on believing it because their scholars say so, and they read at a superficial level. I say that this also applies to those who oppose al-Taqiyya.

Dr. al-Tijani wrote a short event where he was sitting next to a Sunni scholar on a flight to London; they were both on their way to attend an Islamic Conference. At that time,

there was still some tension due to the Salman Rushdi affair. The conversation between the two was naturally concerned with the unity of the Ummah. Consequently, the Sunni/Shia issue introduced itself as part of the conversation. The Sunni scholar said: "The Shia must drop certain beliefs and convictions that cause disunity and animosity among the Muslims." Dr. al-Tijani answered: "Like what?" The Sunni scholar answered: "Like the Taqiyya and Muta' ideas." Dr. al-Tijani immediately provided him with plenty of proofs in support of these notions, but the Sunni scholar was not convinced, and said that although these proofs are all authentic and correct, we must discard them for the sake of uniting the Ummah!!! When they both got to London, the immigration officer asked the Sunni scholar: "What is the purpose of your visit sir?" The Sunni scholar said: "For medical treatment." Then Dr. al-Tijani was asked the same question, and he answered: "To visit some friends." Dr. al-Tijani followed the Sunni scholar and said: "Didn't I tell you that al-Taqiyya is for all times and occasions!" The Sunni scholar said: "How so?" Dr. al-Tijani answered: "Because we both lied to the airport police: I by saying that I came to visit some friends, and you by saying that you are here for medical treatment; when, in fact, we are here to attend the Islamic Conference!" The Sunni scholar smiled, and said: "Well, doesn't an Islamic Conference provide healing for the soul?!" Dr. al-Tijani was swift to say: "And doesn't it provide an opportunity to visit friends?!"

So you see, the Sunnis practice al-Taqiyya whether they acknowledge the fact or not. It is an innate part of human nature to save oneself, and most often we do it without even noticing.

My comment again is: Who, in Allah's Name, is this Scholar to state that although the proofs provided to him by Dr. al-Tijani are ALL authentic, they must be discarded for the sake of uniting the Ummah?! Do you truly believe that the Ummah will be united by abandoning Allah's commandments? Does the above statement represent scholarly merit, or pure rhetoric, ignorance, and hypocrisy on the part of that scholar? Is a scholar who utters such words of ignorance worthy of being obeyed and listened to? Who is he to tell Allah, the Creator of the Universe, and His Messenger what is right and wrong? Does he know more than Allah about al-Taqiyya? Exalted be Allah from being insulted by those who lack ALL forms of intelligence to interpret His religion.

al-Imam Ja'far al-Sadiq [The Sixth Imam of Ahlul-Bayt] said:

"al-Taqiyya is my religion, and the religion of my ancestors." He also said: "He who doesn't practice al-Taqiyya, doesn't practice his religion."

Sources:

<http://www.al-islam.org/ENCYCLOPEDIA/chapter6b/1.html>

1. <http://www.al-islam.org/ENCYCLOPEDIA/chapter6b/3.html>

1.6 Naskh - Quranic abrogation

Quranic abrogation (Naskh) is another central and under-analysed part of Islam.

Those Westerners who manage to pick up a translation of the Quran are often left bewildered as to its meaning thanks to ignorance of a critically important principle of Quranic interpretation known as "abrogation." The principle of abrogation -- al-naskh wa al-mansukh (the abrogating and the abrogated) -- directs that verses revealed later in Muhammad's career "abrogate" -- i.e., cancel and replace -- earlier ones whose instructions they may contradict. Thus, passages revealed later in Muhammad's career, in Medina, overrule passages revealed earlier, in Mecca. The Quran itself lays out the principle of abrogation:

2:106. Whatever a Verse (revelation) do We {Allah} abrogate or cause to be forgotten, We bring a better one or similar to it. Know you not that Allah is able to do all things?

It seems that 2:106 was revealed in response to scepticism directed at Muhammad that Allah's revelations were not entirely consistent over time. Muhammad's rebuttal was that "Allah is able to do all things" -- even change his mind. To confuse matters further, though the Quran was revealed to Muhammad sequentially over some twenty years' time, it was not compiled in chronological order. When the Quran was finally collated into book form under Caliph Uthman, the suras were ordered from longest to shortest with no connection whatever to the order in which they were revealed or to their thematic content. In order to find out what the Quran says on a given topic, it is necessary to examine the other Islamic sources that give clues as to when in Muhammad's lifetime the revelations occurred. Upon such examination, one discovers that the Meccan suras, revealed at a time when the Muslims were vulnerable, are generally benign; the later Medinan suras, revealed after Muhammad had made himself the head of an army, are bellicose.

Let us take, for example, 50:45 and Sura 109, both revealed in Mecca:

50:45. We know of best what they say; and you (O Muhammad) are not a tyrant over them (to force them to Belief). But warn by the Qur'an, him who fears My Threat.

109:1. Say (O Muhammad to these Mushrikun and Kafirun): "O Al-Kafirun (disbelievers in Allah, in His Oneness, in His Angels, in His Books, in His Messengers, in the Day of Resurrection, and in Al-Qadar {divine foreordination and sustaining of all things}, etc.)!

109:2. "I worship not that which you worship,

109:3. "Nor will you worship that which I worship.

109:4. "And I shall not worship that which you are worshipping.

109:5. "Nor will you worship that which I worship.

109:6. "To you be your religion, and to me my religion (Islamic Monotheism)."

Then there is this passage revealed just after the Muslims reached Medina and were still vulnerable:

2:256. There is no compulsion in religion. Verily, the Right Path has become distinct from the wrong path. Whoever disbelieves in Taghut {idolatry} and believes in Allah, then he has grasped the most trustworthy handhold that will never break. And Allah is All-Hearer, All-Knower.

In contrast, take 9:5, commonly referred to as the "Verse of the Sword", revealed toward the end of Muhammad's life:

9:5. Then when the Sacred Months (the 1st, 7th, 11th, and 12th months of the Islamic calendar) have passed, then kill the Mushrikun {unbelievers} wherever you find them, and capture them and besiege them, and prepare for them each and every ambush. But if they repent and perform As-Salat (Iqamat-as-Salat {the Islamic ritual prayers}), and give Zakat {alms}, then leave their way free. Verily, Allah is Oft-Forgiving, Most Merciful.

Having been revealed later in Muhammad's life than 50:45, 109, and 2:256, the Verse of the Sword abrogates their peaceful injunctions in accordance with 2:106. Sura 8, revealed shortly before Sura 9, reveals a similar theme:

8:39. And fight them until there is no more Fitnah (disbelief and polytheism: i.e. worshipping others besides Allah) and the religion (worship) will all be for Allah Alone [in the whole of the world]. But if they cease (worshipping others besides Allah), then certainly, Allah is All-Seer of what they do.

8:67. It is not for a Prophet that he should have prisoners of war (and free them with ransom) until he had made a great slaughter (among his enemies) in the land. You desire the good of this world (i.e. the money of ransom for freeing the captives), but Allah desires (for you) the Hereafter. And Allah is All-Mighty, All-Wise.

9:29. Fight against those who believe not in Allah, nor in the Last Day, nor forbid that which has been forbidden by Allah and His Messenger and those who acknowledge not the religion of truth (i.e. Islam) among the people of the Scripture (Jews and Christians), until they pay the Jizya with willing submission, and feel themselves subdued.

9:33. It is He {Allah} Who has sent His Messenger (Muhammad) with guidance and the religion of truth (Islam), to make it superior over all religions even though the Mushrikun (polytheists, pagans, idolaters, disbelievers in the Oneness of Allah) hate (it).

The Quran's commandments to Muslims to wage war in the name of Allah against non-Muslims are unmistakable. They are, furthermore, absolutely authoritative as they were revealed late in the Prophet's career and so cancel and replace earlier instructions to act peaceably. Without knowledge of the principle of abrogation (naskh), Westerners will continue to misread the Quran and misdiagnose Islam as a "religion of peace."

Naskh – Quranic abrogation – origin and implementation

Naskh (Quranic abrogation) is a legal practice first put in place by 9th century Islamic scholars with the intention of understanding seemingly contradictory verses in the Quran and the hadith. Its practical consequence in relation to Jihad is that the aggressive Medina verses of the Quran cancel the peaceful Mecca verses. As far back as the sources will take us, Muslim jurisprudence discerned Quranic abrogation ('Naskh' or 'Man-sookh') in the Quran. One of the earliest extended discussions of Quranic abrogation was; al-Naskh wa-al-mansukh fi al-quran by Abu Ubayd (839 AD). Another source from the ninth century is; Kitab Fahm al-quran of al-Harith ibn Asad al-Muhasibi. Other sources from the same century are the writings of al-Shafii and Ibn Qutaybah. The conclusions of these "works" were among other things that Medina (war mongering) verses cancel Mecca (peaceful) verses whenever appropriate.

Even though the abrogated texts remain a part of the Qur'an and are even recited during prayers, the application thereof, or applicable information therefrom is inappropriate. This foundation for duality makes the Quran and the Hadith extremely effective when opposing different challenges. It allows every Muslim to use the appropriate texts based on the circumstances. The Mecca verses are given emphasis for tactical reasons in the ongoing peaceful conquering of nations through demographic warfare (as we see in Europe) or whenever appropriate, while the aggressive Medina verses are given emphasis through regular Jihad (warfare) as we see in Sudan.

Basis for abrogation

The concept of abrogation has been mainly extrapolated from two Quranic texts:

[Q 2:106] What We [Allah] cancel of 'Ayaat' or made forgotten, We replace it with something better than it, or at least similar. Do you not know that truly, Allah is powerful over everything?

The word 'Ayaat' used in the above text, means "signs". Throughout the Qur'an, this word is used for a variety of meanings, and is not limited to the Quranic verses [see 30:21, for example].

The second passage usually referred to as the basis for Quranic abrogation is the following:

[Q 87:6-7] We [Allah] will relate to you [knowledge], so do not forget, except what Allah wills. Surely, he knows what the apparent and the hidden.

We can understand the development of the concept of *Naskh* in the following manner; commentators were perplexed in understanding seemingly contradictory verses. They therefore evaluated the practices of the Prophet (especially the various hadiths) and the actions of the first generations of Muslims. By doing so much confusion could be avoided.

For example; [Q 8:61], which commands Muslims to remain in a peaceful setting with those who maintain a similar stance, has been replaced with 9:73, which reads as follows;

[Q 9:73] O Prophet, fight against the disbelievers and the hypocrites and be harsh upon them. And their refuge is Hell, and wretched is the destination.

By ignoring the peaceful verse 8:61 which was clearly of a limited scope, given to the Prophet at a time when Islam was weak and vulnerable and when he was under constant attack from his foes (thus the peaceful Medina verses), a foundation for constant Jihad until Islam has conquered the world was created.

Texts such as 9:73 are cited by Islamists everywhere.

Look at 2:62 as the perfect example. It, along with 5:69, actually names some Non-Muslim religious groups as being rewarded by God for their faith and deeds. These verses are however cancelled by Q 3:85 [and other texts, such as 5:3], or are said to refer to nations prior to Muhammad's time.

At the end of the day, there is really no doubt whatsoever what Muhammads own agenda and conclusions were as the following authentic Hadith explains:

Hadith of the Prophet

"Lataftahanna al-Qustantiniyya wa lani`ma al-amiru amiruha wa lani`ma al-jayshu dhalika al-jaysh."

"Verily you shall conquer Constantinople. What a wonderful leader will he be, and what a wonderful army will that army be!"

Needless to say; every single kuffar capital is considered modern day Constantinople's. The only difference is that the strategic weapon used in the Jihad against Europe is Islamic demographic warfare instead of regular infantry units (which is the preferred method in the Sudan Jihad).

d. Jihad Through History

In 622 AD (year one in the Islamic calendar, AH 1), Muhammad abandoned Mecca for the city of Medina (Yathrib) some 200 farther north in the Arabian peninsula. In Medina, Muhammad established a paramilitary organisation that would spread his influence and that of his religion throughout Arabia. Because there has never been a separation of the political-military and the religious in Islam, this development was entirely natural by Islamic principles. By the time of his death in 632 AD, Muhammad had extended his control in a series of raids and battles over most of southern Arabia. The conquered populations of these areas either had to submit to Muslim rule and pay a protection tax or convert to Islam.

i. The First Major Wave of Jihad: the Arabs, 622-750 AD

Near the end of his life, Muhammad sent letters to the great empires of the Middle East demanding their submission to his authority. This dispels any notion that the Prophet intended Islam's expansion to stop with Arabia. Indeed, it is only logical that the one true religion, revealed by the final and fullest prophet, should have universal sway. Thus, as Muhammad had fought and subdued the peoples of the Arabian peninsula, his successors Abu Bakr, Umar, Uthman, and Ali (known as "the four rightly-guided Caliphs") and other Caliphs fought and subdued the people of the Middle East, Africa, Asia, and Europe in the name of Allah.

Volume 4, Book 53, Number 386; Narrated Jubair bin Haiya: Umar {the second Caliph} sent the Muslims to the great countries to fight the pagans. When we reached the land of the enemy, the representative of Khosrau {Persia} came out with forty-thousand warriors, and an interpreter got up saying, "Let one of you talk to me!" Al-Mughira replied, "Our Prophet, the Messenger of our Lord, has ordered us to fight you till you worship Allah Alone or give Jizya (i.e. tribute); and our Prophet has informed us that our Lord says: "Whoever amongst us is killed (i.e. martyred), shall go to Paradise to lead such a luxurious life as he has never seen, and whoever amongst us remain alive, shall become your master."

Unleashing upon the world the blitzkrieg of its day, Islam rapidly spread into the territories of Byzantium, Persia, and Western Europe in the decades after Muhammad's

death. The creaking Byzantine and Persian powers, having battled each other into mutual decline, offered little resistance to this unanticipated onslaught. The Arab Muslim armies charged into the Holy Land, conquered what is now Iraq and Iran, then swept west across North Africa, into Spain, and finally into France. The Muslim offensive was finally halted in the West at the Battle of Poitiers/Tours, not far from Paris, in 732 AD. In the east, the jihad penetrated deep into Central Asia.

As Muhammad had plundered his foes, so his successors also stripped the conquered areas -- incomparably richer both materially and culturally than the desolate sands of Arabia -- of their wealth and manpower. Almost overnight, the more advanced civilisations of the Middle East, North Africa, Persia, and Iberia saw their agriculture, native religions, and populations destroyed or plundered. Save for a handful of walled cities that managed to negotiate conditional surrenders, the catastrophes those lands suffered were very nearly complete.

Ibn Hudayl, a 14th century Granadan author of an important treatise on Jihad, explained the original methods which facilitated the violent, chaotic Jihad conquest of the Iberian peninsula, and other parts of Europe:

It is permissible to set fire to the lands of the enemy, his stores of grain, his beasts of burden if it is not possible for the Muslims to take possession of them as well as to cut down his trees, to raze his cities, in a word, to do everything that might ruin and discourage him, provided that the imam deems these measures appropriate, suited to hastening the Islamisation of that enemy or to weakening him. Indeed, all this contributes to a military triumph over him or to forcing him to capitulate.

The historian al-Maqqari, who wrote in seventeenth-century Tlemcen in Algeria, explains that the panic created by the Arab horsemen and sailors, at the time of the Muslim expansion in the zones that saw those raids and landings, facilitated the later conquest, if that was decided on:

Allah, he says, thus instilled such fear among the infidels that they did not dare to go and fight the conquerors; they only approached them as suppliants, to beg for peace."

Bat Ye'or, the leading scholar of Islam's expansion and its treatment of non-Muslims, has provided an inestimable service through the compilation and translation of numerous primary source documents describing centuries of Islamic conquest. She includes these documents in her works on Islamic history and the plight of non-Muslims under Islamic rule. In the history of jihad, the slaughter of civilians, the desecration of churches, and the plundering of the countryside are commonplace. Here is Michael the Syrian's account of the Muslim invasion of Cappodocia (southern Turkey) in 650 AD under Caliph Umar:

... when Muawiya {the Muslim commander} arrived {in Euchaita in Armenia} he ordered all the inhabitants to be put to the sword; he placed guards so that no one escaped. After gathering up all the wealth of the town, they set to torturing the leaders to make them show them things [treasures] that had been hidden. The Taiyaye {Muslim Arabs} led everyone into slavery -- men and women, boys and girls -- and they committed much debauchery in that unfortunate town: they wickedly committed immoralities inside churches. They returned to their country rejoicing. (Michael the Syrian, quoted in Bat Ye'or, *The Decline of Eastern Christianity under Islam*, 276-7.)

The following description by the Muslim historian, Ibn al-Athir (1160-1233 AD), of razzias (raiding expeditions) in Northern Spain and France in the eighth and ninth centuries AD,

conveys nothing but satisfaction at the extent of the destruction wrought upon the infidels, including non-combatants.

In 177 <17 April 793>, Hisham, prince of Spain, sent a large army commanded by Abd al-Malik b. Abd al-Wahid b. Mugith into enemy territory, and which made forays as far as Narbonne and Jaranda . This general first attacked Jaranda where there was an elite Frank garrison; he killed the bravest, destroyed the walls and towers of the town and almost managed to seize it. He then marched on to Narbonne, where he repeated the same actions, then, pushing forward, he trampled underfoot the land of the Cerdagne {near Andorra in the Pyrenees}. For several months he traversed this land in every direction, raping women, killing warriors, destroying fortresses, burning and pillaging everything, driving back the enemy who fled in disorder. He returned safe and sound, dragging behind him God alone knows how much booty. This is one of the most famous expeditions of the Muslims in Spain. In 223 <2 December 837>, Abd ar-Rahman b. al Hakam, sovereign of Spain, sent an army against Alava; it encamped near Hisn al-Gharat, which it besieged; it seized the booty that was found there, killed the inhabitants and withdrew, carrying off women and children as captives. In 231 <6 September 845>, a Muslim army advanced into Galicia on the territory of the infidels, where it pillaged and massacred everyone. In 246 <27 March 860>, Muhammad b. Abd ar-Rahman advanced with many troops and a large military apparatus against the region of Pamplona. He reduced, ruined and ravaged this territory, where he pillaged and sowed death. (Ibn al-Athir, *Annals*, quoted in Bat Ye'or, *The Decline of Eastern Christianity under Islam*, 281-2.)

This first wave of jihad engulfed much of the Byzantine, Visigothic, Frankish, and Persian Empires and left the newborn Islamic Empire controlling territory from Southern France, south through Spain, east across North Africa to India, and north to Russia. Early in the second millennium AD, the Mongol invasion from the east greatly weakened the Islamic Empire and ended Arab predominance therein.

ii. The Second Major Wave of Jihad: the Turks, 1071-1683 AD

Some twenty-five years before the first Crusading army set out from central Europe for the Holy Land, the Turkish (Ottoman) armies began an assault on the Christian Byzantine Empire, which had ruled what is now Turkey since the Roman Empire's capital was moved to Constantinople in 325 AD. At the battle of Manzikert, in 1071, the Christian forces suffered a disastrous defeat, which left much of Anatolia (Turkey) open to invasion. This second wave of jihad was temporarily held up by the invading Latin Armies during the Crusades (see Islam 101 FAQs), but, by the beginning of the 14th century, the Turks were threatening Constantinople and Europe itself.

In the West, Roman Catholic armies were bit by bit forcing Muslim forces down the Iberian peninsula, until, in 1492, they were definitively expelled (the Reconquista). In Eastern Europe, however, Islam continued in the ascendant. One of the most significant engagements between the invading Muslims and the indigenous peoples of the region was the Battle of Kosovo in 1389, where the Turks annihilated a multinational army under the Serbian King, St. Lazar, though their progress into Europe was significantly slowed. After numerous attempts dating back to the seventh century, Constantinople, the jewel of Eastern Christendom, finally fell in 1453 to the armies of Sultan Mahomet II. Lest one ascribe the atrocities of the first wave of jihad to the "Arabness" of its perpetrators, the Turks showed they were fully capable of living up to the principles of the Quran and the Sunnah. Paul Fregosi in his book *Jihad* describes the scene following the final assault on Constantinople:

Several thousand of the survivors had taken refuge in the cathedral: nobles, servants, ordinary citizens, their wives and children, priests and nuns. They locked the huge doors, prayed, and waited. {Caliph} Mahomet {II} had given the troops free quarter. They raped, of course, the nuns being the first victims, and slaughtered. At least four thousand were killed before Mahomet stopped the massacre at noon. He ordered a muezzin {one who issues the call to prayer} to climb into the pulpit of St. Sophia and dedicate the building to Allah. It has remained a mosque ever since. Fifty thousand of the inhabitants, more than half the population, were rounded up and taken away as slaves. For months afterward, slaves were the cheapest commodity in the markets of Turkey. Mahomet asked that the body of the dead emperor be brought to him. Some Turkish soldiers found it in a pile of corpses and recognised Constantine {XI} by the golden eagles embroidered on his boots. The sultan ordered his head to be cut off and placed between the horse's legs under the equestrian bronze statue of the emperor Justinian. The head was later embalmed and sent around the chief cities of the Ottoman Empire for the delectation of the citizens. Next, Mahomet ordered the Grand Duke Notaras, who had survived, be brought before him, asked him for the names and addresses of all the leading nobles, officials, and citizens, which Notaras gave him. He had them all arrested and decapitated. He sadistically bought from their owners {i.e., Muslim commanders} high-ranking prisoners who had been enslaved, for the pleasure of having them beheaded in front of him. (Fregosi, Jihad, 256-7.)

This second, Turkish wave of jihad reached its farthest extent at the failed sieges of Vienna in 1529 and 1683, where in the latter instance the Muslim army under Kara Mustapha was thrown back by the Roman Catholics under the command of the Polish King, John Sobieski. In the decades that followed, the Ottomans were driven back down through the Balkans, though they were never ejected from the European continent entirely. Still, even while the imperial jihad faltered, Muslim land- and sea-borne razzias into Christian territory continued, and Christians were being abducted into slavery from as far away as Iceland into the 19th century.

e. Dhimmitude

Islam's persecution of non-Muslims is in no way limited to jihad, even though that is the basic relationship between the Muslim and non-Muslim world. After the jihad concludes in a given area with the conquest of infidel territory, the dhimma, or treaty of protection, may be granted to the conquered "People of the Book" -- historically, Jews, Christians, and Zoroastrians. The dhimma provides that the life and property of the infidel are exempted from jihad for as long as the Muslim rulers permit, which has generally meant for as long as the subject non-Muslims -- the dhimmi -- prove economically useful to the Islamic state. The Quran spells out the payment of the jizya (poll- or head-tax; Sura 9:29), which is the most conspicuous means by which the Muslim overlords exploit the dhimmi. But the jizya is not merely economic in its function; it exists also to humiliate the dhimmi and impress on him the superiority of Islam. Al-Maghili, a fifteenth century Muslim theologian, explains:

On the day of payment {of the jizya} they {the dhimmi} shall be assembled in a public place like the suq {place of commerce}. They should be standing there waiting in the lowest and dirtiest place. The acting officials representing the Law shall be placed above them and shall adopt a threatening attitude so that it seems to them, as well as to others, that our object is to degrade them by pretending to take their possessions. They will realise that we are doing them a favour in accepting from them the jizya and letting them go free. (Al-Maghili, quoted in Bat Ye'or, *The Decline of Eastern Christianity under Islam*, 361.)

Islamic law codifies various other restrictions on the dhimmi, all of which derive from the Quran and the Sunnah. Several hundred years of Islamic thought on the right treatment

of dhimmi peoples is summed up by Al-Damadhuri, a seventeenth century head of Al-Azhar University in Cairo, the most prestigious center for learning in the Muslim world:

... just as the dhimmis are prohibited from building churches, other things also are prohibited to them. They must not assist an unbeliever against a Muslim ... raise the cross in an Islamic assemblage ... display banners on their own holidays; bear arms ... or keep them in their homes. Should they do anything of the sort, they must be punished, and the arms seized. ... The Companions [of the Prophet] agreed upon these points in order to demonstrate the abasement of the infidel and to protect the weak believer's faith. For if he sees them humbled, he will not be inclined toward their belief, which is not true if he sees them in power, pride, or luxury garb, as all this urges him to esteem them and incline toward them, in view of his own distress and poverty. Yet esteem for the unbeliever is unbelief. (Al-Damadhuri, quoted in Bat Ye'or, *The Decline of Eastern Christianity under Islam*, 382.)

The Christian, Jewish, and Zoroastrian peoples of the Middle East, North Africa, and much of Europe suffered under the oppressive strictures of the dhimma for centuries. The status of these dhimmi peoples is comparable in many ways to that of former slaves in the post-bellum American South. Forbidden to construct houses of worship or repair extant ones, economically crippled by the jizya, socially humiliated, legally discriminated against, and generally kept in a permanent state of weakness and vulnerability by the Muslim overlords, it should not be surprising that their numbers dwindled, in many places to the point of extinction. The generally misunderstood decline of Islamic civilisation over the past several centuries is easily explained by the demographic decline of the dhimmi populations, which had provided the principle engines of technical and administrative competence.

Should the dhimmi violate the conditions of the dhimma -- perhaps through practicing his own religion indiscreetly or failing to show adequate deference to a Muslim -- then the jihad resumes. At various times in Islamic history, dhimmi peoples rose above their subjected status, and this was often the occasion for violent reprisals by Muslim populations who believed them to have violated the terms of the dhimma. Medieval Andalusia (Moorish Spain) is often pointed out by Muslim apologists as a kind of multicultural wonderland, in which Jews and Christians were permitted by the Islamic government to rise through the ranks of learning and government administration. What we are not told, however, is that this relaxation of the disabilities resulted in widespread rioting on the part of the Muslim populace that killed hundreds of dhimmis, mainly Jews. By refusing to convert to Islam and straying from the traditional constraints of the dhimma (even at the behest of the Islamic government, which was in need of capable manpower), the dhimmi had implicitly chosen the only other option permitted by the Quran: death.

Dhimmitude in Spain (Iberian peninsula)

The Iberian peninsula was conquered in 710-716 C.E. by Arab tribes originating from northern, central and southern Arabia. Massive Berber and Arab immigration, and the colonisation of the Iberian peninsula, followed the conquest. Most churches were converted into mosques. Although the conquest had been planned and conducted jointly with a faction of Iberian Christian dissidents, including a bishop, it proceeded as a classical jihad with massive pillages, enslavements, deportations and killings. Toledo, which had first submitted to the Arabs in 711 or 712, revolted in 713. The town was punished by pillage and all the notables had their throats cut. In 730, the Cerdagne (in Septimania, near Barcelona) was ravaged and a bishop burned alive. In the regions under stable Islamic control, subjugated non-Muslim dhimmis -Jews and Christians- like

elsewhere in other Islamic lands were prohibited from building new churches or synagogues, or restoring the old ones. Segregated in special quarters, they had to wear discriminatory clothing. Subjected to heavy taxes, the Christian peasantry formed a servile class exploited by the dominant Arab ruling elites; many abandoned their land and fled to the towns. Harsh reprisals with mutilations and crucifixions would sanction the Mozarab (Christian dhimmis) calls for help from the Christian kings. Moreover, if one dhimmi harmed a Muslim, the whole community would lose its status of protection, leaving it open to pillage, enslavement and arbitrary killing.

By the end of the eighth century, the rulers of North Africa and of Andalusia had introduced rigorous and harsh Maliki jurisprudence as the predominant school of Muslim law. Three quarters of a century ago, at a time when political correctness was not dominating historical publication and discourse, Évariste Lévi-Provençal, the pre-eminent scholar of Andalusia wrote:

The Muslim Andalusian state thus appears from its earliest origins as the defender and champion of a jealous orthodoxy, more and more ossified in a blind respect for a rigid doctrine, suspecting and condemning in advance the least effort of rational speculation.

Dufourcq provides this illustration of the resulting religious and legal discriminations dhimmis suffered, and the accompanying incentives for them to convert to Islam: by converting [to Islam], one would no longer have to be confined to a given district, or be the victim of discriminatory measures or suffer humiliations. Furthermore, the entire Islamic law tended to favour conversions. When an "infidel" became a Muslim, he immediately benefited from a complete amnesty for all of his earlier crimes, even if he had been sentenced to the death penalty, even if it was for having insulted the Prophet or blasphemed against the Word of God: his conversion acquitted him of all his faults, of all his previous sins.

A legal opinion given by a mufti from al-Andalus in the ninth century is very instructive: a Christian dhimmi kidnapped and violated a Muslim woman; when he was arrested and condemned to death, he immediately converted to Islam; he was automatically pardoned, while being constrained to marry the woman and to provide for her a dowry in keeping with her status. The mufti who was consulted about the affair, perhaps by a brother of the woman, found that the court decision was perfectly legal, but specified that if that convert did not become a Muslim in good faith and secretly remained a Christian, he should be flogged, slaughtered and crucified.

Al-Andalus represented the land of jihad par excellence. Every year (sometimes twice a year) raiding expeditions were sent to ravage the Christian Spanish kingdoms to the north, the Basque regions, or France and the Rhone valley, bringing back booty and slaves. Andalusian corsairs attacked and invaded along the Sicilian and Italian coasts, even as far as the Aegean Islands, looting and burning as they went. Many thousands of non-Muslim captives were deported to slavery in Andalusia, where the caliph kept a militia of tens of thousand of Christian slaves, brought from all parts of Christian Europe (the Saqaliba), and a harem filled with captured Christian women. Society was sharply divided along ethnic and religious lines, with the Arab tribes at the top of the hierarchy, followed by the Berbers who were never recognised as equals, despite their Islamisation; lower in the scale came the mullawadun converts and, at the very bottom, the dhimmi Christians and Jews.

The Andalusian Maliki jurist Ibn Abdun (d. 1134) offered these telling legal opinions regarding Jews and Christians in Seville around 1100 A.D.:

No Jew or Christian may be allowed to wear the dress of an aristocrat, nor of a jurist, nor of a wealthy individual; on the contrary they must be detested and avoided. It is

forbidden to [greet] them with the [expression], "Peace be upon you". In effect, Satan has gained possession of them, and caused them to forget God's warning. They are the confederates of Satan's party; Satan's confederates will surely be the losers!" (Quran 58:19 [modern Dawood translation]). A distinctive sign must be imposed upon them in order that they may be recognised and this will be for them a form of disgrace.

Ibn Abdun also forbade the selling of scientific books to dhimmis under the pretext that they translated them and attributed them to their co-religionists and bishops. In fact, plagiarism is difficult to prove since whole Jewish and Christian libraries were looted and destroyed. Another prominent Andalusian jurist, Ibn Hazm of Cordoba (d. 1064), wrote that Allah has established the infidels ownership of their property merely to provide booty for Muslims.

In Granada, the Jewish viziers Samuel Ibn Naghrela, and his son Joseph, who protected the Jewish community, were both assassinated between 1056 to 1066, followed by the annihilation of the Jewish population by the local Muslims. It is estimated that up to five thousand Jews perished in the pogrom by Muslims that accompanied the 1066 assassination. This figure equals or exceeds the number of Jews reportedly killed by the Crusaders during their pillage of the Rhineland, some thirty years later, at the outset of the First Crusade. The Granada pogrom was likely to have been incited, in part, by the bitter anti-Jewish ode of Abu Ishaq a well known Muslim jurist and poet of the times, who wrote:

Bring them down to their place and Return them to the most abject station. They used to roam around us in tatters Covered with contempt, humiliation, and scorn. They used to rummage amongst the dungheaps for a bit of a filthy rag to serve as a shroud for a man to be buried in...Do not consider that killing them is treachery. Nay, it would be treachery to leave them scoffing." [The translator then summarises: The Jews have broken their covenant (i.e., overstepped their station, with reference to the Covenant of Umar) and compunction would be out of place.]

The Muslim Berber Almohads in Spain and North Africa (1130-1232) wreaked enormous destruction on both the Jewish and Christian populations. This devastation- massacre, captivity, and forced conversion- was described by the Jewish chronicler Abraham Ibn Daud, and the poet Abraham Ibn Ezra. Suspicious of the sincerity of the Jewish converts to Islam, Muslim "inquisitors" (i.e., antedating their Christian Spanish counterparts by three centuries) removed the children from such families, placing them in the care of Muslim educators¹³. Maimonides, the renowned philosopher and physician, experienced the Almohad persecutions, and had to flee Cordoba with his entire family in 1148, temporarily residing in Fez - disguised as a Muslim - before finding asylum in Fatimid Egypt.

Indeed, although Maimonides is frequently referred to as a paragon of Jewish achievement facilitated by the enlightened rule of Andalusia, his own words debunk this utopian view of the Islamic treatment of Jews:

..the Arabs have persecuted us severely, and passed baneful and discriminatory legislation against us...Never did a nation molest, degrade, debase, and hate us as much as they..

Ottoman Dhimmitude

Even the Turcophilic 19th century travel writer Ubicini acknowledged the oppressive burden of Ottoman dhimmitude in this moving depiction:

The history of enslaved peoples is the same everywhere, or rather, they have no history. The years, the centuries pass without bringing any change to their situation. Generations come and go in silence. One might think they are afraid to awaken their masters, asleep alongside them. However, if you examine them closely you discover that this immobility is only superficial. A silent and constant agitation grips them. Life has entirely withdrawn into the heart. They resemble those rivers which have disappeared underground; if you put your ear to the earth, you can hear the muffled sound of their waters; then they re-emerge intact a few leagues away. Such is the state of the Christian populations of Turkey under Ottoman rule.

Ottoman Devshirme-janissary system

Scholars who have conducted serious, detailed studies of the devshirme-janissary system have made the following conclusions; Vryonis, Jr. for example, makes these deliberately understated, but cogent observations;

...in discussing the devshirme we are dealing with the large numbers of Christians who, in spite of the material advantages offered by conversion to Islam, chose to remain members of a religious society which was denied first class citizenship. Therefore the proposition advanced by some historians, that the Christians welcomed the devshirme as it opened up wonderful opportunities for their children, is inconsistent with the fact that these Christians had not chosen to become Muslims in the first instance but had remained Christians. There is abundant testimony to the very active dislike with which they viewed the taking of their children. One would expect such sentiments given the strong nature of the family bond and given also the strong attachment to Christianity of those who had not apostasised to Islam. First of all the Ottomans capitalised on the general Christian fear of losing their children and used offers of devshirme exemption in negotiations for surrender of Christian lands. Such exemptions were included in the surrender terms granted to Jannina, Galata, the Morea, Chios, etc. Christians who engaged in specialised activities which were important to the Ottoman state were likewise exempt from the tax on their children by way of recognition of the importance of their labours for the empire. Exemption from this tribute was considered a privilege and not a penalty.

...there are other documents wherein their [i.e., the Christians] dislike is much more explicitly apparent. These include a series of Ottoman documents dealing with the specific situations wherein the devshirmes themselves have escaped from the officials responsible for collecting them. A firman... in 1601 [regarding the devshirme] provided the [Ottoman] officials with stern measures of enforcement, a fact which would seem to suggest that parents were not always disposed to part with their sons.

"..to enforce the command of the known and holy fetva [fatwa] of Seyhul [Shaikh]-Islam. In accordance with this whenever some one of the infidel parents or some other should oppose the giving up of his son for the Janissaries, he is immediately hanged from his door-sill, his blood being deemed unworthy."

Vasiliki Papoulia highlights the continuous desperate, often violent struggle of the Christian populations against this brutally imposed Ottoman levy:

It is obvious that the population strongly resented this measure [and the levy] could be carried out only by force. Those who refused to surrender their sons- the healthiest, the handsomest and the most intelligent- were on the spot put to death by hanging. Nevertheless we have examples of armed resistance. In 1565 a revolt took place in Epirus and Albania. The inhabitants killed the recruiting officers and the revolt was put down only

after the sultan sent five hundred janissaries in support of the local sanjak-bey. We are better informed, thanks to the historic archives of Yerroia, about the uprising in Naousa in 1705 where the inhabitants killed the Silahdar Ahmed Celebi and his assistants and fled to the mountains as rebels. Some of them were later arrested and put to death..

Since there was no possibility of escaping [the levy] the population resorted to several subterfuges. Some left their villages and fled to certain cities which enjoyed exemption from the child levy or migrated to Venetian-held territories. The result was a depopulation of the countryside. Others had their children marry at an early age ...Nicephorus Angelus... states that at times the children ran away on their own initiative, but when they heard that the authorities had arrested their parents and were torturing them to death, returned and gave themselves up. La Giulletiere cites the case of a young Athenian who returned from hiding in order to save his father's life and then chose to die himself rather than abjure his faith. According to the evidence in Turkish sources, some parents even succeeded in abducting their children after they had been recruited. The most successful way of escaping recruitment was through bribery. That the latter was very widespread is evident from the large amounts of money confiscated by the sultan from corrupt officials. Finally, in their desperation the parents even appealed to the Pope and the Western powers for help.

Papoulia concludes:

...there is no doubt that this heavy burden was one of the hardest tribulations of the Christian population.

Dhimmitude in Greece under Ottoman rule

A.E. Vacalopoulos, *History of Macedonia, 1354-1833*, Thessaloniki, 1973, pp. 67-74, 353-358, 636-652; "Background and Causes of the Greek Revolution", *Neo-Hellenika*, Vol. 2, 1975, pp.53-68; *The Greek Nation, 1453-1669*, New Brunswick, New Jersey, 1976, Chaps. 1-4.

Vacalopoulos describes how jihad imposed dhimmitude under Ottoman rule provided critical motivation for the Greek Revolution (*Background and Causes of the Greek Revolution*, *Neo-Hellenika*, pp.54-55):

The Revolution of 1821 is no more than the last great phase of the resistance of the Greeks to Ottoman domination; it was a relentless, undeclared war, which had begun already in the first years of servitude. The brutality of an autocratic regime, which was characterised by economic spoliation, intellectual decay and cultural retrogression, was sure to provoke opposition. Restrictions of all kinds, unlawful taxation, forced labour, persecutions, violence, imprisonment, death, abductions of girls and boys and their confinement to Turkish harems, and various deeds of wantonness and lust, along with numerous less offensive excesses — all these were a constant challenge to the instinct of survival and they defied every sense of human decency. The Greeks bitterly resented all insults and humiliations, and their anguish and frustration pushed them into the arms of rebellion. There was no exaggeration in the statement made by one of the beys of Arta, when he sought to explain the ferocity of the struggle. He said: 'We have wronged the rayas [dhimmis] (i.e. our Christian subjects) and destroyed both their wealth and honour; they became desperate and took up arms. This is just the beginning and will finally lead to the destruction of our empire.' The sufferings of the Greeks under Ottoman rule were therefore the basic cause of the insurrection; a psychological incentive was provided by the very nature of the circumstances.

Dhimmitude in Palestine

In his comprehensive study of 19th century Palestinian Jewry under Ottoman rule (*The Jews of Palestine*, pp. 168, 172-73), Professor Tudor Parfitt made these summary observations:

"...Inside the towns, Jews and other dhimmis were frequently attacked, wounded, and even killed by local Muslims and Turkish soldiers. Such attacks were frequently for trivial reasons: Wilson [in British Foreign Office correspondence] recalled having met a Jew who had been badly wounded by a Turkish soldier for not having instantly dismounted when ordered to give up his donkey to a soldier of the Sultan. Many Jews were killed for less. On occasion the authorities attempted to get some form of redress but this was by no means always the case: the Turkish authorities themselves were sometimes responsible for beating Jews to death for some unproven charge. After one such occasion [British Consul] Young remarked: 'I must say I am sorry and surprised that the Governor could have acted so savage a part- for certainly what I have seen of him I should have thought him superior to such wanton inhumanity- but it was a Jew- without friends or protection- it serves to show well that it is not without reason that the poor Jew, even in the nineteenth century, lives from day to day in terror of his life'."

Dhimmitude during and after the Tanzimat period – Ottoman Empire

The Tanzimat, meaning reorganisation of the Ottoman Empire, was a period of reformation that began in 1839 and ended with the First Constitutional Era in 1876. The Tanzimat reform era was characterised by various attempts to modernise the Ottoman Empire, to secure its territorial integrity against nationalist movements and aggressive powers. The reforms encouraged Ottomanism among the diverse ethnic groups of the Empire, attempting to stem the tide of nationalist movements within the Ottoman Empire. The reforms attempted to integrate non-Muslims and non-Turks more thoroughly into Ottoman society by enhancing their civil liberties and granting them equality throughout the Empire.

Edouard Engelhardt, *La Turquie et La Tanzimat*, 2 Vols. In 1882, Paris; Engelhardt made these observations from his detailed analysis of the Tanzimat period, noting that a quarter century after the Crimean War (1853-56), and the second iteration of Tanzimat reforms, the same problems persisted:

Muslim society has not yet broken with the prejudices which make the conquered peoples subordinate...the raya [dhimmis] remain inferior to the Osmanlis; in fact he is not rehabilitated; the fanaticism of the early days has not relented...[even liberal Muslims rejected]...civil and political equality, that is to say, the assimilation of the conquered with the conquerors.

A systematic examination of the condition of the Christian rayas was conducted in the 1860s by British consuls stationed throughout the Ottoman Empire, yielding extensive primary source documentary evidence. [54]. Britain was then Turkey's most powerful ally, and it was in her strategic interest to see that oppression of the Christians was eliminated, to prevent direct, aggressive Russian or Austrian intervention. On July 22, 1860, Consul James Zohrab sent a lengthy report from Sarajevo to his ambassador in Constantinople, Sir Henry Bulwer, analysing the administration of the provinces of Bosnia

and Herzegovina, again, following the 1856 Tanzimat reforms. Referring to the reform efforts, Zohrab states:

I can safely say, [they] practically remain a dead letter...while [this] does not extend to permitting the Christians to be treated as they formerly were treated, is so far unbearable and unjust in that it permits the Mussulmans to despoil them with heavy exactions. False imprisonments (imprisonment under false accusation) are of daily occurrence. A Christian has but a small chance of exculpating himself when his opponent is a Mussulman (...) Christian evidence, as a rule, is still refused (...) Christians are now permitted to possess real property, but the obstacles which they meet with when they attempt to acquire it are so many and vexatious that very few have as yet dared to brave them... Such being, generally speaking, the course pursued by the Government towards the Christians in the capital (Sarajevo) of the province where the Consular Agents of the different Powers reside and can exercise some degree of control, it may easily be guessed to what extent the Christians, in the remoter districts, suffer who are governed by Mudirs (governors) generally fanatical and unacquainted with the (new reforms of the) law..

Even the modern Ottomanist Roderick Davison (in "Turkish Attitudes Concerning Christian-Muslim Equality in the Nineteenth Century" *American Historical Review*, Vol. 59, pp. 848, 855, 859, 864) concedes, that the reforms failed, and offers an explanation based on Islamic beliefs intrinsic to the system of dhimmitude:

No genuine equality was ever attained...there remained among the Turks an intense Muslim feeling which could sometimes burst into an open fanaticism...More important than the possibility of fanatic outbursts, however, was the innate attitude of superiority which the Muslim Turk possessed. Islam was for him the true religion. Christianity was only a partial revelation of the truth, which Muhammad finally revealed in full; therefore Christians were not equal to Muslims in possession of truth. Islam was not only a way of worship, it was a way of life as well. It prescribed man's relations to man, as well as to God, and was the basis for society, for law, and for government. Christians were therefore inevitably considered second-class citizens in the light of religious revelation—as well as by reason of the plain fact that they had been conquered by the Ottomans. This whole Muslim outlook was often summed up in the common term *gavur* (or *kafir*), which means 'unbeliever' or 'infidel', with emotional and quite uncomplimentary overtones. To associate closely or on terms of equality with the *gavur* was dubious at best. "Familiar association with heathens and infidels is forbidden to the people of Islam," said Asim, an early nineteenth-century historian, "and friendly and intimate intercourse between two parties that are one to another as darkness and light is far from desirable"...The mere idea of equality, especially the anti-defamation clause of 1856, offended the Turks' inherent sense of the rightness of things. "Now we can't call a *gavur* a *gavur*", it was said, sometimes bitterly, sometimes in matter-of-fact explanation that under the new dispensation the plain truth could no longer be spoken openly. Could reforms be acceptable which forbade calling a spade a spade?...The Turkish mind, conditioned by centuries of Muslim and Ottoman dominance, was not yet ready to accept any absolute equality...Ottoman equality was not attained in the Tanzimat period [i.e., mid to late 19th century, 1839-1876], nor yet after the Young Turk revolution of 1908...

Dhimmitude – Zoroastrians in Iran

Boyce, *A Persian Stronghold of Zoroastrianism*, pp. 7-8; Napier Malcolm lived among the Zoroastrians in the central Iranian town of Yezd at the end of the 19th century. He documented the following in his narrative, *Five Years in a Persian Town*, New York, 1905, pp. 45-50:

Up to 1895 no Parsi (Zoroastrian) was allowed to carry an umbrella. Even during the time that I was in Yezd they could not carry one in town. Up to 1895 there was a strong

prohibition upon eye-glasses and spectacles; up to 1885 they were prevented from wearing rings; their girdles had to be made of rough canvas, but after 1885 any white material was permitted. Up to 1896 the Parsis were obliged to twist their turbans instead of folding them. Up to 1898 only brown, grey, and yellow were allowed for the qaba [outer coat] or arkhaluq [under coat] (body garments), but after that all colours were permitted except blue, black, bright red, or green. There was also a prohibition against white stockings, and up to about 1880 the Parsis had to wear a special kind of peculiarly hideous shoe with a broad, turned-up toe. Up to 1885 they had to wear a torn cap. Up to 1880 they had to wear tight knickers, self-coloured, instead of trousers. Up to 1891 all Zoroastrians had to walk in town, and even in the desert they had to dismount if they met a Mussulman of any rank whatsoever. During the time that I was in Yezd they were allowed to ride in the desert, and only had to dismount if they met a big Mussulman. There were other similar dress restrictions too numerous and trifling to mention.

Then the houses of both the Parsis and the Jews, with the surrounding walls, had to be built so low that the top could be reached by a Mussulman with his hand extended; they might, however, dig down below the level of the road. The walls had to be splashed with white around the door. Double doors, the common form of Persian door, were forbidden, also rooms containing three or more windows. Bad-girs [Air-shafts] were still forbidden to Parsis while we were in Yezd, but in 1900 one of the bigger Parsi merchants gave a large present to the Governor and to the chief mujtahid (Mohammedan priest) to be allowed to build one. Upper rooms were also forbidden.

Up to about 1860 Parsis could not engage in trade. They used to hide things in their cellar rooms, and sell them secretly. They can now trade in the caravanserais or hostleries, but not in the bazaars, nor may they trade in linen drapery. Up to 1870 they were not permitted to have a school for their children.

The amount of the Jizya, or tax upon infidels, differed according to the wealth of the individual Parsi, but it was never less than two tomans [a sum of money, 10,000 dinars]. A toman is now worth about three shillings and eight pence, but it used to be worth much more. Even now, when money has much depreciated, it represents a labourer's wage for ten days. The money must be paid on the spot, when the farrash [literally, a carpet sweeper. Really a servant, chiefly, outdoor], who was acting as collector, met the man. The farrash was at liberty to do what he liked when collecting the jizya. The man was not even allowed to go home and fetch the money, but was beaten at once until it was given. About 1865 a farrash collecting this tax tied a man to a dog, and gave a blow to each in turn.

About 1891 a mujtahid caught a Zoroastrian merchant wearing white stockings in one of the public squares of the town. He ordered the man to be beaten and the stockings taken off. About 1860 a man of seventy went to the bazaars in white trousers of rough canvas. They hit him about a good deal, took off his trousers, and sent him home with them under his arm. Sometimes Parsis would be made to stand on one leg in a mujtahid's house until they consented to pay a considerable sum of money.

In the reign of the late Shah Nasirud Din, Manukji Limji, a British Parsi from India, was for a long while in Tehran as Parsi representative. Almost all the Parsi disabilities were withdrawn, the Jizya, the clothes restrictions, and those with regard to houses, but the law of inheritance was not altered, according to which a Parsi who becomes a Mussulman takes precedence of his Zoroastrian brothers and sisters. The Jizya was actually remitted, and also some of the restrictions as to houses, but the rest of the firman was a dead letter.

In 1898 the present Shah, Muzaffarud Din, gave a firman to Dinyar, the present Qalantar [Head Man] of the Parsi Anjuman, or Committee, revoking all the remaining Parsi

disabilities, and also declaring it unlawful to use fraud or deception in making conversions of Parsis to Islam. This firman does not appear to have had any effect at all.

About 1883, after the firman of Nasirud Din Shah had been promulgated, one of the Parsis, Rustami Ardishiri Dinyar, built in Kucha Biyuk, one of the villages near Yezd, a house with an upper room, slightly above the height to which the Parsis used to be limited. He heard that the Mussulmans were going to kill him, so he fled by night to Tehran. They killed another Parsi, Tirandaz, in mistake for him, but did not destroy the house.

So the great difficulty was not to get the law improved, but rather to get it enforced. When Manukji [British Parsi and consul in Tehran] was at Yezd, about 1870, two Parsis were attacked by two Mussulmans outside the town, and one was killed, the other terribly wounded as they had tried to cut off his head. The Governor brought the criminals to Yezd, but did nothing to them. Manukji got leave to take them to Tehran. The Prime Minister, however, told him that no Mussulman would be killed for a Zardushti, or Zoroastrian, and that they would only be bastinadoed. About this time Manukji enquired whether it was true that the blood-price of a Zardushti was to be seven tomans. He got back the reply that it was to be a little over.

The Yezd Parsis have been helped considerably by agents from Bombay, who are British subjects, and of late years things have improved slightly.

f. Jihad in the Modern Era

Following its defeat at the walls of Vienna in 1683, Islam entered a period of strategic decline in which it was increasingly dominated by the rising European colonial powers. Due to its material weakness vis-à-vis the West, dar al-Islam was unable to prosecute large-scale military campaigns into infidel territory. The Islamic Empire, then ruled by the Ottoman Turks, was reduced to fending of the increasingly predatory European powers.

In 1856, Western pressure compelled the Ottoman government to suspend the dhimma under which the Empire's non-Muslim subjects laboured. This provided hitherto unknown opportunities for social and personal improvement by the former dhimmis, but it also fomented resentment by orthodox Muslims who saw this as a violation of the Sharia and their Allah-given superiority over unbelievers.

By the late 19th century, tensions among the European subjects of the Empire broke out into the open when the Ottoman government massacred 30,000 Bulgarians in 1876 for allegedly rebelling against Ottoman rule. Following Western intervention that resulted in Bulgarian independence, the Ottoman government and its Muslim subjects were increasingly nervous about other non-Muslim groups seeking independence.

It was in this atmosphere that the first stage of the Armenian genocide took place in 1896 with the slaughter of some 250,000 Armenians. Both civilians and military personnel took place in the massacres. Peter Balakian, in his book, *The Burning Tigris*, documents the whole horrific story. But the massacres of the 1890s were only the prelude to the much larger holocaust of 1915, which claimed some 1.5 million lives. While various factors contributed to the slaughter, there is no mistaking that the massacres were nothing other than a jihad waged against the Armenians, no longer protected as they were by the dhimma. In 1914, as the Ottoman Empire entered World War I on the side of the central powers, an official anti-Christian jihad was proclaimed.

To promote the idea of jihad, the sheikh-ul-Islam's {the most senior religious leader in the Ottoman Empire} published proclamation summoned the Muslim world to arise and massacre its Christian oppressors. "Oh Moslems," the document read, "Ye who are smitten with happiness and are on the verge of sacrificing your life and your good for the cause of right, and of braving perils, gather now around the Imperial throne." In the *Ikdam*, the Turkish newspaper that had just passed into German ownership, the idea of jihad was underscored: "The deeds of our enemies have brought down the wrath of God. A gleam of hope has appeared. All Mohammedans, young and old, men, women, and children must fulfil their duty. ... If we do it, the deliverance of the subjected Mohammedan kingdoms is assured." ... "He who kills even one unbeliever," one pamphlet read, "of those who rule over us, whether he does it secretly or openly, shall be rewarded by God." (quoted in Balakian, *The Burning Tigris*, 169-70.)

The anti-Christian jihad culminated in 1922 at Smyrna, on the Mediterranean coast, where 150,000 Greek Christians were massacred by the Turkish army under the indifferent eye of Allied warships. All in, from 1896-1923, some 2.5 million Christians were killed, the first modern genocide, which to this day is denied by the Turkish government.

Since the break-up of the Islamic Empire following World War I, various jihads have been fought around the globe by the independent Muslim nations and sub-state jihadist groups. The most sustained effort has been directed against Israel, which has committed the unpardonable sin of rebuilding dar al-harb on land formerly a part of dar al-Islam. Other prominent jihads include that fought against the Soviets in Afghanistan, the Muslim Bosnians against the Serbs in the former Yugoslavia, the Muslim Albanians against the Serbs in Kosovo, and the Chechens against the Russians in the Caucasus. Jihads have also been waged throughout northern Africa, the Philippines, Thailand, Kashmir, and a host of other places throughout the world. In addition, the overwhelming majority of terrorist attacks around the world have been committed by Muslims, including, of course, the spectacular attacks of 9/11/01 (USA), 3/11/04 (Spain), and 7/7/05 (UK). (For a more comprehensive list of Muslim attacks, visit www.thereligionofpeace.com.)

The fact is, the percentage of conflicts in the world today that do not include Islam is pretty small. Islam is making a comeback.

3. Conclusion

The chief barrier today to a better understanding of Islam -- apart, perhaps, from outright fear -- is sloppy language. Let us take, to start with, the much-vaunted "war on terror." Upon scrutiny, the phrase "war on terror" makes as much sense as a war on "blitzkrieg," "bullets," or "strategic bombing." The "war on terror" implies that it is perfectly fine if the enemy seeks to destroy us -- and, indeed, succeeds in doing so -- as long as he does not employ "terror" in the process.

"Terrorism," it should be obvious, is a tactic or stratagem used to advance a goal; it is the goal of Islamic terrorism that we must come to understand, and this logically requires an understanding of Islam.

As we have seen, contrary to the widespread insistence that true Islam is pacific even if a handful of its adherents are violent, the Islamic sources make clear that engaging in violence against non-Muslims is a central and indispensable principle to Islam. Islam is less a personal faith than a political ideology that exists in a fundamental and permanent state of war with non-Islamic civilisations, cultures, and individuals. The Islamic holy texts outline a social, governmental, and economic system for all mankind. Those cultures and individuals who do not submit to Islamic governance exist in an ipso facto

state of rebellion with Allah and must be forcibly brought into submission. The misbegotten term "Islamofascism" is wholly redundant: Islam itself is a kind of fascism that achieves its full and proper form only when it assumes the powers of the state.

The spectacular acts of Islamic terrorism in the late 20th and early 21st centuries are but the most recent manifestation of a global war of conquest that Islam has been waging since the days of the Prophet Muhammad in the 7th Century AD and that continues apace today. This is the simple, glaring truth that is staring the world today in the face -- and which has stared it in the face numerous times in the past -- but which it seems few today are willing to contemplate.

It is important to realise that we have been talking about Islam -- not Islamic "fundamentalism," "extremism," "fanaticism," "Islamofascism," or "Islamism," but Islam proper, Islam in its orthodox form as it has been understood and practiced by right-believing Muslims from the time of Muhammad to the present. The mounting episodes of Islamic terrorism in the late 20th and early 21st centuries are due largely to the geo-strategic changes following the end of the Cold War and the growing technical options available to terrorists.

With the collapse of Soviet hegemony over much of the Muslim world, coupled with the burgeoning wealth of the Muslim oil-producing countries, the Muslim world increasingly possesses the freedom and means to support jihad around the globe. In short, the reason that Muslims are once again waging war against the non-Muslim world is because they can.

It is paramount to note, however, that, even if no major terrorist attack ever occurs on Western soil again, Islam still poses a mortal danger to the West. A halt to terrorism would simply mean a change in Islam's tactics -- perhaps indicating a longer-term approach that would allow Muslim immigration and higher birth rates to bring Islam closer to victory before the next round of violence. It cannot be overemphasised that Muslim terrorism is a symptom of Islam that may increase or decrease in intensity while Islam proper remains permanently hostile.

Muhammad Taqi Partovi Samzevari, in his "Future of the Islamic Movement" (1986), sums up the Islamic worldview.

Our own Prophet ... was a general, a statesman, an administrator, an economist, a jurist and a first-class manager all in one. ... In the Qur'an's historic vision Allah's support and the revolutionary struggle of the people must come together, so that Satanic rulers are brought down and put to death. A people that is not prepared to kill and to die in order to create a just society cannot expect any support from Allah. The Almighty has promised us that the day will come when the whole of mankind will live united under the banner of Islam, when the sign of the Crescent, the symbol of Muhammad, will be supreme everywhere. ... But that day must be hastened through our Jihad, through our readiness to offer our lives and to shed the unclean blood of those who do not see the light brought from the Heavens by Muhammad in his mi'raj {"nocturnal voyages to the 'court' of Allah"}. ... It is Allah who puts the gun in our hand. But we cannot expect Him to pull the trigger as well simply because we are faint-hearted.

It must be emphasised that all of the analysis provided here derives from the Islamic sources themselves and is not the product of critical Western scholarship. (Indeed, most modern Western scholarship of Islam is hardly "critical" in any meaningful sense.) It is Islam's self-interpretation that necessitates and glorifies violence, not any foreign interpretation of it.

4. Frequently Asked Questions

There are a handful of questions that invariably arise when the point is made that Islam is violent. These questions for the most part are misleading or irrelevant and do not contest the actual evidence or arguments that violence is inherent to Islam. Nonetheless, they have proven rhetorically effective in deflecting serious scrutiny from Islam, and so I deal with some of them here.

a. What about the Crusades?

The obvious response to this question is, "Well, what about them?" Violence committed in the name of other religions is logically unconnected to the question of whether Islam is violent. But, by mentioning the Crusades, the hope of the Islamic apologist is to draw attention away from Islamic violence and paint religions in general as morally equivalent.

In both the Western academia and media as well as in the Islamic world, the Crusades are viewed as wars of aggression fought by bloody-minded Christians against peaceful Muslims. While the Crusades were certainly bloody, they are more accurately understood as a belated Western response to centuries of jihad than as an unprovoked, unilateral attack. Muslim rule in the Holy Land began in the second half of the 7th century during the Arab wave of jihad with the conquests of Damascus and Jerusalem by the second "rightly-guided Caliph," Umar. After the initial bloody jihad, Christian and Jewish life there was tolerated within the strictures of the dhimma and the Muslim Arabs generally permitted Christians abroad to continue to make pilgrimage to their holy sites, a practice which proved lucrative for the Muslim state. In the 11th century, the relatively benign Arab administration of the Holy Land was replaced with that of Seljuk Turks, due to civil war in the Islamic Empire. Throughout the latter half of the 11th century, the Turks waged war against the Christian Byzantine Empire and pushed it back from its strongholds in Antioch and Anatolia (now Turkey). In 1071, Byzantine forces suffered a crushing defeat at the Battle of Manzikert in what is now Eastern Turkey. The Turks resumed the jihad in the Holy Land, abusing, robbing, enslaving, and killing Christians there and throughout Asia Minor. They threatened to cut off Christendom from its holiest site, the Church of the Holy Sepulchre in Jerusalem, rebuilt under Byzantine stewardship after it was destroyed by Caliph Al-Hakim bi-Amr Allah in 1009.

It was in this context of a renewed jihad in the Middle East that the Roman Pope, Urban II, issued a call in 1095 for Western Christians to come to the aid of their Eastern cousins (and seems to have harbored the hope of claiming Jerusalem for the Papacy after the Great Schism with Eastern Christianity in 1054). This "armed pilgrimage," in which numerous civilians as well as soldiers took part, would eventually become known years later as the First Crusade. The idea of a "crusade" as we now understand that term, i.e., a Christian "holy war," developed years later with the rise of such organisations as the Knights Templar that made "crusading" a way of life. It worth noting that the most ardent Crusaders, the Franks, were exactly those who had faced jihad and razzias for centuries along the Franco-Spanish border and knew better than most the horrors to which Muslims subjected Christians. At the time of the First Crusade, the populations of Asia Minor, Syria, and Palestine, though ruled by Muslims, were still overwhelmingly Christian. The "Crusading" campaigns of the Western Christian armies were justified at the time as a war liberating the Eastern Christians, whose population, lands, and culture had been devastated by centuries of jihad and dhimmitude. Conquering territory for God in the mode of jihad was an alien idea to Christianity and it should not be surprising that it eventually died out in the West and never gained ascendancy in the East.

Following the very bloody capture of Jerusalem in 1099 by the Latin armies and the establishment of the Crusader States in Edessa, Antioch, and Jerusalem, the Muslim and

Christian forces fought a see-saw series of wars, in which both parties were guilty of the usual gamut of wartime immorality. Over time, even with reinforcing Crusades waged from Europe, the Crusader States, strung out on precarious lines of communication, slowly succumbed to superior Muslim power. In 1271, the last Christian citadel, Antioch, fell to the Muslims. No longer having to divert forces to subdue the Christian beachhead on the Eastern Mediterranean, the Muslims regrouped for a 400-year-long jihad against Southern and Eastern Europe, which twice reached as far as Vienna before it was halted. In geo-strategic terms, the Crusades can be viewed as an attempt by the West to forestall its own destruction at the hands of Islamic jihad by carrying the fight to the enemy. It worked for a while.

Significantly, while the West has for some time now lamented the Crusades as mistaken, there has never been any mention from any serious Islamic authority of regret for the centuries and centuries of jihad and dhimmitude perpetrated against other societies. But this is hardly surprising: while religious violence contradicts the fundamentals of Christianity, religious violence is written into Islam's DNA.

b. If Islam is violent, why are so many Muslims peaceful?

This question is a bit like asking, "If Christianity teaches humility, tolerance, and forgiveness, why are so many Christians arrogant, intolerant, and vindictive?" The answer in both cases is obvious: in any religion or ideology there will be many who profess, but do not practice, its tenets. Just as it is often easier for a Christian to hit back, play holier-than-thou, or disdain others, so it is often easier for a Muslim to stay at home rather than embark on jihad. Hypocrites are everywhere.

Furthermore, there are also people who do not really understand their own faith and so act outside of its prescribed boundaries. In Islam, there are likely many Muslims who do not really understand their religion thanks to the importance of reciting the Quran in Arabic but not having to understand it. It is the words and sounds of the Quran that attract Allah's merciful attention rather than Quranic knowledge on the part of the supplicant. Especially in the West, Muslims here are more likely to be attracted by Western ways (which explains why they are here) and less likely to act violently against the society to which they may have fled from an Islamic tyranny abroad.

However, in any given social context, as Islam takes greater root -- increasing numbers of followers, the construction of more mosques and "cultural centers," etc. -- the greater the likelihood that some number of its adherents will take its violent precepts seriously. This is the problem that the West faces today.

c. What about the violent passages in the Bible?

First, violent Biblical passages are irrelevant to the question of whether Islam is violent.

Second, the violent passages in the Bible certainly do no amount to a standing order to commit violence against the rest of the world. Unlike the Quran, the Bible is a huge collection of documents written by different people at different times in different contexts, which allows for much greater interpretative freedom. The Quran, on the other hand, comes exclusively from one source: Muhammad. It is through the life of Muhammad that the Quran must be understood, as the Quran itself says. His wars and killings both reflect and inform the meaning of the Quran. Furthermore, the strict literalism of the Quran means that there is no room for interpretation when it comes to its violent injunctions. As it is through the example of Christ, the "Prince of Peace," that

Christianity interprets its scriptures, so it is through the example of the warlord and despot Muhammad that Muslims understand the Quran.

d. Could an Islamic "Reformation" pacify Islam?

As should be plain to anyone who has examined the Islamic sources, to take the violence out of Islam would require it to jettison two things: the Quran as the word of Allah and Muhammad as Allah's prophet. In other words, to pacify Islam would require its transformation into something that it is not. The Western Christian Reformation, that is often used as an example, was an attempt (successful or not) to recover the essence of Christianity, namely, the example and teachings of Christ and the Apostles. Trying to get back to the example of Muhammad would have very different consequences. Indeed, one may say that Islam is today going through its "Reformation" with the increasing jihadist activity around the globe. Today, Muslims of the Salafi ("early generations") school are doing exactly that in focusing on the life of Muhammad and his early successors. These reformers are known to their detractors by the derogative term Wahhabi. Drawing their inspiration from Muhammad and the Quran, they are invariably disposed to violence. The unhappy fact is that Islam today is what it has been fourteen centuries: violent, intolerant, and expansionary. It is folly to think that we, in the course of a few years or decades, are going to be able to change the basic world outlook of a foreign civilisation. Islam's violent nature must be accepted as given; only then will we be able to come up with appropriate policy responses that can improve our chances of survival.

e. What about the history of Western colonialism in the Islamic world?

Following the defeat of the Ottoman army outside Vienna on September 11, 1683 by Polish forces, Islam went into a period of strategic decline in which it was overwhelmingly dominated by the European powers. Much of dar al-Islam was colonised by the European powers who employed their superior technology and exploited the rivalries within the Muslim world to establish colonial rule.

While many of the practices of the Western imperial powers in the governance of their colonies were clearly unjust, it is utterly unwarranted to regard Western imperialism -- as it often is -- as an endemic criminal enterprise that is the basis of modern resentment against the West. It was only due to the assertive role of the Western powers that modern nation-states such as India, Pakistan, Israel, South Africa, Zimbabwe, etc. came to exist in the first place. Without Western organisation, these areas would have likely remained chaotic and tribal as they had existed for centuries.

When one looks at the post-colonial world, it is apparent that the most successful post-colonial nations have a common attribute: they are not Muslim. The United States, Australia, Hong Kong, Israel, India, and the South American nations clearly outshine their Muslim-majority post-colonial counterparts -- Iraq, Algeria, Pakistan, Bangladesh, Indonesia, etc. -- by just about any standard.

f. How can a violent political ideology be the second-largest and fastest-growing religion on earth?

It should not be surprising that a violent political ideology is proving so attractive to much of the world. The attractive power of fascist ideas has been proven through history. Islam combines the interior comfort provided by religious faith with the outward power of

a world-transforming political ideology. Like the revolutionary violence of Communism, jihad offers an altruistic justification for waging death and destruction. Such an ideology will naturally draw to it violent-minded people while encouraging the non-violent to take up arms themselves or support violence indirectly. Because something is popular hardly makes it benign.

Furthermore, the areas in which Islam is growing most rapidly, such as Western Europe, have been largely denuded of their religious and cultural heritage, which leaves Islam as the only vibrant ideology available to those in search of meaning.

g. Is it fair to paint all Islamic schools of thought as violent?

Islamic apologists often point out that Islam is not a monolith and that there are differences of opinion among the different Islamic schools of thought. That is true, but, while there are differences, there are also common elements. Just as Orthodox, Roman Catholic, and Protestant Christians differ on many aspects of Christianity, still they accept important common elements. So it is with Islam. One of the common elements to all Islamic schools of thought is jihad, understood as the obligation of the Ummah to conquer and subdue the world in the name of Allah and rule it under Sharia law. The four Sunni Madhhabs (schools of fiqh [Islamic religious jurisprudence]) -- Hanafi, Maliki, Shafi'i, and Hanbali -- all agree that there is a collective obligation on Muslims to make war on the rest of the world. Furthermore, even the schools of thought outside Sunni orthodoxy, including Sufism and the Jafari (Shia) school, agree on the necessity of jihad. When it comes to matters of jihad, the different schools disagree on such questions as whether infidels must first be asked to convert to Islam before hostilities may begin (Osama bin Laden asked America to convert before Al-Qaeda's attacks); how plunder should be distributed among victorious jihadists; whether a long-term Fabian strategy (Wearing your opponent down) against dar al-harb is preferable to an all-out frontal attack; etc.

h. What about the great achievements of Islamic civilisation through history?

Islamic achievements in the fields of art, literature, science, medicine, etc. in no way refute the fact that Islam is intrinsically violent. Roman and Greek civilisations produced many great achievements in these fields as well, but also cultivated powerful traditions of violence. While giving the world the brilliance of Virgil and Horace, Rome was also a home to gladiatorial combat, the slaughter of Christians, and, at times, rampant militarism.

Furthermore, the achievements of Islamic civilisation are pretty modest given its 1300 year history when compared to Western, Hindu, or Confucian civilisations. Many Islamic achievements were in fact the result of non-Muslims living within the Islamic Empire or of recent converts to Islam. One of the greatest Islamic thinkers, Averroes, ran afoul of Islamic orthodoxy through his study of non-Islamic (Greek) philosophy and his preference for Western modes of thought. Once the dhimmi populations of the Empire dwindled toward the middle of the second millennium AD, Islam began its social and cultural "decline."

Original source (original source have been further developed/expanded by author of 2083):

<http://jihadwatch.org/islam101/> by Gregory M. Davis

1.7 Review 2: Islam – What the West needs to know

Table of Contents

- 1.** Introduction
- 2.** There is no God but Allah and Muhammad is his prophet
- 3.** The struggle
- 4.** Expansion
- 5.** War is Deceit
- 6.** More than a Religion
- 7.** The House of War

This film documentary is also available here:
<http://video.google.com/videoplay?docid=-87190279772997781>

1. Introduction

Tony Blair:

I wish to say finally as I've said many times before that this is not a war with Islam. It angers me as it angers the vast majority of Muslims to hear Bin Laden and his associates described as Islamic terrorists. They are terrorists pure and simple. Islam is a peaceful and tolerant religion, and the acts of these people are holy contrary to the teachings of the Quran.

George Bush:

We respect your faith. It's practiced freely by many millions of Americans and by millions more in countries that America counts as friends. Its teachings are good and peaceful and those who commit evil in the name of Allah blaspheme the name of Allah.

Bill Clinton:

Our actions were not aimed against Islam. The faith of hundreds of millions of good, peace loving people all around the world including the United States. No religion condones the murder of innocent men, women and children. But our actions were aimed at fanatics and killers who wrapped murder in the cloak of righteousness and in so doing profaned the great religion in whose name they claim to act.

Serge Trifkovic, Foreign Affairs Editor, Chronicles Magazine

The tendency of western political leaders to deny the connection between Orthodox Islamic Mainstream and terrorist violence are replicated in Universities and the media wherever you look both in Western Europe and North America.

The members of the elite class have the tendency to proclaim that Islam is peaceful and tolerant and those Muslims related to violence are a non representative group.

I would really appreciate if people who make such claims could then explain the continuity of violence from the earliest day of Islam, from the earliest days of the prophet Muhammad and his immediate successors throughout the 1300th century of recorded history.

Robert Spencer, Author, Islam Unveiled, Director of Jihadwatch.org

Do Islam and an Islamic civilisation actually sanction the violence that we are seeing being perpetrated in its name around the world?

If we are going to be honest about this we would have to answer an absolute yes. The Islamic sources, the Islamic texts starting with the Quran but not limited to the Quran, Islamic texts including the Hadith, Islamic tradition, Islamic theology, Islamic law, the traditions of the interpretations of the Quran throughout history and Islamic history itself; All bear witness to the fact that Islam has a developed doctrine theology and law that mandates violence against unbelievers.

Bat Ye'or, Author – The Dhimmi: Jews and Christians under Islam

The origins are, of course, in the Muslim desire to impose all over the world; the only religion – the only just religion – which is Islam and the suppression of all other religions in order to establish the rule of Allah throughout the world. This is a religious duty, which binds the whole community, and which the Muslim community is obliged to impose because they are obliged to obey the order of Allah and this is the desire of Allah as expressed in the Quranic revelation.

Abdullah Al-Araby – Director, The Pen vs. The Sword Publications

I believe that those terrorists that want to do harm to others are applying the true Islam who was practiced by Muhammad and his followers in the early stage of Islam.

2. There is no God but Allah and Muhammad is his prophet

Robert Spencer

In Islamic theology the prophet Muhammad is considered " *al-insan al-kamil*" the perfect man. The more a Muslim is like him the better off he is. So the prophet Mohammad is revered today in the Islamic world as the primary model of human behaviour.

Abdullah Al-Araby

As an illustration, the following examples by Muhammad inspire current Palestinian groups to fight Jihad against the Jews in Palestine.

Authoritative Islamic History – The Life of Muhammad/Sirat Rasul Allah – By Muhammad bin Ishaq (d 773 AD). Edited by Abdul Malik bin Hisham (d 840 AD). Translated by Prof Alfred Guillaume (1955).

The life of Muhammad – P 464

They surrendered, and the Apostle confined them in Medina,,, Then the Apostle went out to the market of Medina and dug trenches in it.

Robert Spencer

Another example which is the most chilling of the influence that Muhammad's influence has today on the Islamic world was exemplified recently by an Egyptian leader of a radical Muslim party. He recently wrote that he couldn't believe that the beheadings in Iraq were being protested by Muslims. Weren't they aware that the prophet Muhammad himself beheaded between 600 and 900 men personally, members of the Jewish Quraiza tribe in Arabia after he had defeated them. Didn't they realise that if the prophet did it then this was the proper way to behave? So the Mujahideen in Iraq who were beheading people are simply obeying the example of the prophet.

Now we can see then, since the prophet Muhammad himself participated in many battles and raids and did indeed perpetrate these beheadings, he ordered the assassination of several of his political opponents and he behaved in general like a typical 7th century warlord. The problem is that when this is transferred to 21st century behaviour and 21st century contexts of behaviour then what you get are terrorists.

The Quran occupies a place that has no parallel in Western civilisation. The Quran is considered by Muslims and by traditional Islamic theology to be dictated word for word by Allah himself through the Angel Gabriel to the prophet Muhammad. As a result every word of it is the word of Allah himself. Every word of the Quran except if it is cancelled by another section of the Quran itself is valid for all time and can not be questioned, can not be reformed, can not be changed within an Islamic context. This means that moderate Muslims, peaceful Muslims if they are sincere, have to reject entirely Quranic literalism but to do so put them outside the sphere anything that has been considered orthodox Islam throughout history. To do so is to reject the very basic premise of Islam that this is a book that is dictated by Allah which is a perfect copy of a perfect book, the "Umm Al-Kitāb", the mother of the book that has existed forever with Allah in heaven.

The Noble Koran

Translated with Parenthetical Notes by Dr. Muhammad Taqi-du-Din Al-Hilali and Dr. Muhammad Muhsin Khan.

Sura 98 Verse 6

Verily, those who disbelieve (in the religion of Islam, the Quran and the prophet Muhammad) from among the People of the Scripture (Jews and Christians) and Al-Mushrikun (other disbelievers) will abide in the Fire of Hell. They are the worst of creatures.

Serge Trifkovic

So the Quran is simply a set of direct commandments, descriptions, sometimes much distorted descriptions of Judaism and Christianity. Because of the nature of those commandments a second "body" for Islamic interpretation is the Hadith, the tradition of the prophet Muhammad.

Robert Spencer

The Hadith is absolutely necessary to make any sense of the Quran because Allah addresses Mohammad in the Quran and they talk about incidents in Muhammad's life but they don't fill in the narrative details. You have to go to the Hadith, the traditions of the prophet Muhammad in order to understand what's being said in the Quran and why. The Hadith are many volumes of the traditions of the prophet, various Muslim scholars beginning in the 8th century which is some considerable time after the life of Mohammad who died in 632. They started to collect these traditions and try to window out the authentic ones from the in-authentic. From an Islamic standpoint, if something Muhammad said or did is recorded in one of those books then it has authority second only to the Quran. And in those books there is a great that illuminates what the Quran says and how it is applicable to Muslims in the present.

Authoritative Traditions of the prophet Muhammad – The Hadith's of Sahih Al-Bukhari, translated with Parenthetical Notes by Dr Muhammad Muhsin Khan.

Sahih Al- Bukhari
Vol 4, Bk 52, Hadith 53

The Prophet said; "Nobody who dies and finds good from Allah (in the Hereafter) would wish to come back to this world even if he were given the whole world and whatever is in it.

... except the martyr who, on seeing the superiority of martyrdom, would like to come back to the world and get killed again (in Allah's Cause).

The Prophet said, "A single endeavour (of fighting) in Allah's Cause in the afternoon or in the forenoon is better than all the world and whatever is in it."

Serge Trifkovic

Since there is no sense of natural morality in Islam you have to go in to the Quran or the Hadith to find out what is allowed and what is not allowed

Robert Spencer

And in those books we have very clear instructions from Muhammad that it is the responsibility of every Muslim to meet the unbelievers on the battlefield to invite them either to accept Islam or to accept second class Dhimmi status in the Islamic state. If they refuse both alternatives then they will wage war against them.

Sura 9 Verse 29

Fight against those who believe not in Allah, nor in the Last Day, nor forbid that which has been forbidden by Allah and His Messenger.

... and fight against those who acknowledge not the religion of truth (i.e., Islam) among the People of the Scripture (Jews and Christians), until they pay the Jizyah (Tax for Jews/Christians) with willing submission and feel themselves subdued.

The Quran is broken down into two sections, one is called Mecca which means what was inspired to Muhammad in Mecca and one is called Medina, what was inspired to Muhammad in Medina.

In Mecca you find many of the peaceful Verses, Mohammad used to live with the Jewish and Christian community in peace and harmony. Those Verses almost invariably date back to beginning of Muhammad's prophetic career and his native city of Mecca where he was powerless, where he was only beginning to attract followers.

Abdullah Al-Araby – Director, the Pen vs. the Sword Publications

Only relatives and friends accepted the religion at that time. He has many foes so the revelations of that time are very peaceful. This all changes with the establishment of Muhammad's theocratic state let in the city of Medina. He becomes a warlord and head of a totalitarian state, he becomes very rich and powerful and very intolerant and then many of these early Verses get abrogated.

In Sura 2 Verse 106 Allah says that if I abrogate a Verse I will give you one that is better.

Sura 2 Verse 106

Whatever a Verse (revelation) do we abrogate or cause to be forgotten, we bring a better one or similar to it. Know you not that Allah is able to do all things?

Robert Spencer

This is the basis, the foundation of the Quranic doctrine of "*Naskh*" which is abrogation. And it is the idea that when there are Verses that are contradictory in the Quran the one that is revealed later chronologically is better as Allah has promised and cancels the earlier one.

Walid Shoebat – Former Muslim and member of PLO Fatah Brigade, Author; Why I Left Jihad

Now the violence started, now you had to weigh between peaceful Verses and non-peaceful Verses. The result was that the peaceful ones were made null and void.

Serge Trifkovic

It is indeed a very curious concept for a non-Muslim to accept a notion that God may change his mind about a topic. He may issue one injunction in AD 614;

Sura 2 Verse 256

There is no compulsion (i.e., coercion) in religion.

And then a very different one in AD 627;

Sura 9 Verse 5

Kill the unbelievers wherever you find them. ...But if they repent and accept Islam ... then leave their way free.

But this is indeed what has happened in Islam.

Robert Spencer

It's very important to understand that the Quran is not arranged chronologically, it's arranged on the basis of the longest chapter to the shortest.

Serge Trifkovic

So you will find in the book itself some of these more tolerant Verses at a later point in the book than the very intolerant ones advocating violence and the subjugation of the infidels. But that doesn't mean they came into being later, on quite the contrary. It is therefore the ones that came in "Medina" that retains their validity and the ones that came early in Mecca that have been abrogated.

Walid Shoebat

The peaceful Verses became null and void compared to Verses of the Sword.

Robert Spencer

Traditional Islamic theology has it that the ninth chapter of the Quran – Sura 9, is the last revealed in the career of the prophet. And it is the only one that doesn't begin with; In the name of Allah the compassionate, the merciful. Some have said that's because there is no compassion or mercy in this particular chapter and that it is the Quran's last word on Jihad and in particular on how Muslims should behave toward unbelievers. In it is the celebrated Verse of the Sword.

Walid Shoebat

So what does the Verse of the Sword say? It's very clear; Kill the people of the book (Christians and Jews) wherever you find them, lay siege for them, lay ambush for them, kill them wherever you find them. In fact, I converted to Christianity, Mohammad clearly stated that on the end of days there will be many who defect from the faith, kill them when you see them wherever you find them. So this is the question the West needs to understand, what part of kill don't they understand?

3. The struggle

Condoleezza Rice;

We are a country that judges people not by their religious beliefs and not by their colour but by the fact that we are all Americans so that was the first part of the message. The second part of the message is that we have a lot of friends around the world who are Muslim, we have countries that are long friends of the United States who are of the Islamic faith and the President want it to be very clear that this is not a war of civilisations, this is not a war against Islam. This is a war against people who in many ways pervert what Islam stands for. Islam stands for peace and stands for non-violence.

Robert Spencer

Islam and the Islamic civilisation are unique in their stance against non-believers. Islam is the only religion in the world that has a developed doctrine theology and law that mandates violence against un-believers. It is no doubt that there are peaceful Muslims, that there are Muslims around the world who are moderate, who live in harmony with their non-Muslim neighbours and have no intention of ever waging war against them in any way. But the fact is that they have a very slim justification for their own peacefulness within the Islamic sources themselves. They are only at peace with their neighbours so far as they are either ignorant of what Islam teaches about how Muslims should behave toward un-believers or they have explicitly and consciously rejected those elements of Islam. In short there are peaceful and moderate Muslims but no peaceful and moderate Islam.

The idea that Islam is a religion of peace however is paradoxically even held by the most violent and radical of Muslims. Sayyed Qutb, the Egyptian Muslim theorist (1906-1966, wrote Islam and Universal Peace), whose writings are revered by radical Muslims and terrorists today. He wrote and insisted that Islam is a religion of peace. When you study his writings it becomes clear that he meant that Islam is dedicated to establishing the hegemony of Islamic law throughout the world. When that hegemony is established peace will reign in the world. Therefore, Islam is a religion of peace.

Walid Shoebat

The problem is that the peaceful Muslims don't understand the "edicts" that comes out of the jurisprudence of Islam. If you look at the interpretation of these Verses in Al-Azhar University, in Islamic Sharia schools in Jerusalem, in Jordan, In Syria, In Damascus, all throughout the Middle East the jurisprudence of Islam clearly state that the Verse of the Sword make the peaceful Verses null and void. So what does the Verse of the Sword say?

Sura 9 Verse 5

Then when the sacred months (the 1st, 7th, 11th, and 12th months of the Islamic calendar) have passed, then kill the Mushrikun (un-believers) wherever you find them, and capture them and besiege them, and prepare for them each and every ambush. But if they repent and perform Iqamat-as-Salat (The Islamic prayers), and give Zakat, then leave their way free. Verily, Allah is Oft-Forgiving, Most Merciful.

Walid Shoebat

Kill them when you see them, wherever you find them. This is not an allegoric kill, it's a literal kill. Its the killing of Zarqawi right in front of the camera, its the lynching that you see in Ramallah, its the killing of more than a million Sudanese, cutting the hands and feet from opposite sides. And here's a dilemma. Even the peaceful Verse that is quoted by Bush, the Verse goes as follows;

Whoever kills a life without just cause or for doing mischief in the land then he has killed the entire earth.

You will find the same Verse in the Judea biblical tradition but most Westerners stop after that Verse. It continues; But those that do mischief in the land, then cut their hands and their feet from opposite sides and crucify them. And that is what you see happen in Afghanistan, in Sudan, a huge amount of crucifixions, killings and beheadings. There are also amputations and public assassinations. They really want to revive Islam as it used to be. This is why they call it Islamic fundamentalism.

Sura 5 Verse 33

The recompense of those who wage war against Allah and His Messenger and do mischief in the land is only that they shall be killed or crucified, or their hands and their feet be cut off on the opposite sides, or be exiled from the land. That is their disgrace in this world, and a great torment is theirs in the Hereafter.

Sahih Al-Bukhari

Vol 8, Bk 82, Hadith 795

The Prophet cut off the hands and feet of the men belonging to the tribe of Uraina and did not cauterise their bleeding limbs till they died.

Walid Shoebat

In Islam's thinking, the assurance of your salvation is dying as a martyr. In accordance to the Verse in the Quran; *"Do not think that the ones that die in Jihad are dead but are living"*. So this ensures salvation.

Robert Spencer

This is the calculus behind modern suicide bombing, modern Muslim advocates will say; *"Islam forbids suicide"* and this is plainly dishonest because all the defenders of suicide bombings in the Islamic world start out by saying; *"This is not suicide"*. The intention of the person is not to kill himself. The intention of the person is to kill others. And that is sanctioned because it is Islamic Jihad. And if they in the process are killed themselves, that's an unavoidable consequence of their actions and they will be rewarded with the reward of martyrs in paradise.

Serge Trifkovic

The Quran is quite clear about heavenly reward for a Jihadist who falls fighting in the path of Allah. He will be granted instant access to paradise and a Muslim paradise is an

extremely sensual one. It is full of "*whories*" – black eyed beauties (72 virgins) that will await the martyr and the gratification that follows is endless.

Robert Spencer

The Quran contains no guarantee of paradise except for those who slay and are slain in the cause of Allah.

Sura 9 Verse 111

Verily, Allah has purchased of the believers their lives and their properties; for the price that theirs shall be the Paradise. They fight in Allah's cause, so they kill others and are killed. Then rejoice in the bargain which you have concluded. That is the supreme success.

Robert Spencer

In other words, the guarantees of paradise are for people who are killed while they are killing to establish the hegemony of Allah or Islamic law in the world.

Jihad can be spiritual or physical. The spiritual Jihad is striving to be a better Muslim. The physical Jihad is however something that can't be ignored.

Walid Shoebat

Jihad in Islam means struggle. That's the literal meaning of the word. But what the West doesn't understand is that there are more than 100 Hadith's about Jihad. And if you look at every single one of them they all contain a sword, war or a military effort.

Serge Trifkovic

It is a very dangerous element of the Islamic teaching because this instant gratification from martyrdom is an attractive concept. When a so called martyr operation is carried out by f. example Hamas what is announced from the minarets in Mosques is not the deaths of person "x", who carried out the attack, but the wedding of person "x" to the whories (70 virgins). In other words they immediately make the implication that person "x's" family, parents etc, instead of cry and mourn over the disappearance and end of his physical life should instead celebrate, be happy and throw a party because their son is now not only being transported to paradise but greeted there by 70 virgins.

Walid Shoebat

The word Shaheed means witness, to testify. To testify that there is no God but Allah and Muhammad is his messenger. And you die as a Shaheed for that cause. You're a witness, a martyr. And a martyr becomes glorified. You're family will glorify you after you die.

As a Muslim fundamentalist living in the Middle East, you have to be initiated. You have to basically kill your first Jew or destroy your first Zionist infrastructure. You have to prove without a shadow of a doubt that you are worthy. And there are ample amounts of students, teenagers, men who are willing to die a martyr's death, willing to put explosives. The martyr applications are filled. There are many applicants. There are not enough bombs to fulfil the applicants. And to get on one of those missions you have to be a strong candidate, you have to be violent enough, you have to have joined every

demonstration in the streets of Jerusalem, in Bethlehem, you have to show that you are worthy of a greater operation. If you are about to die or are taking a considerable amount of risk you struggle between the requirements of your Islamic upbringing and between the realities that you value your life.

4. Expansion

Robert Spencer

Islam understands its earthly mission to extend the law of Allah over the world by force. Now this is distinct from extending the religion by force. Muslims often indignantly deny that Islam was spread by the sword as the old expression goes and that anybody is ever forced to convert to Islam. Forced conversions are a constant hallmark of Islamic history but they are technically forbidden by Islamic law. The idea in Islam is that Muslims must wage war to establish the hegemony of Islamic law. Not everyone will be forced to become Muslim but the non-Muslims will be relegated to second class status. They will not be able to live in the society as equals to the Muslims and it is the responsibility of Muslims around the world to fight, to institute that kind of society.

Sahih Al-Bukhari – Vol 4, Bk 53, Hadith 392

While we were in the Mosque, the Prophet came out and said, "Let us go to the Jews". We went out till we reached Bait-ul-Midras. He said to them, "If you embrace Islam, you will be safe. You should know that the earth belongs to Allah and His Apostle, and I want to expel you from this land. So, if anyone amongst you owns some property, he is permitted to sell it, otherwise you should know that the Earth belongs to Allah and His Apostle.

Bat Ye'or

The Muslims see the extension of Jihad as a war liberating the infidels from their infidelity and a privilege for them to enter in the religion of Islam and to abandon their wrong belief. So Jihad is seen as a favour which is given to the infidel population in order to change their ways and convert to the true religion; Islam.

Sura 8, Verse 67

It is not for a Prophet that he should have prisoners of war (and free them with ransom) until he had made a great slaughter (among his enemies) in the land. You desire the good of this world (i.e. the money of ransom for freeing the captives), but Allah desires (for you) the Hereafter. And Allah is All-Mighty, All-Wise.

Walid Shoebat

In the Muslim thinking, in the Muslim Sharia, the way the world is depicted in two houses; the House of Islam or the House of War. So the whole world is under these two houses. If you're not a Muslim you're under the House of War. In the West the Islamic apologists would say; no, that's not accurate. It is the House of Peace and the House of Islam. And in fact that's not accurate, if you look in the Hadith and if you look what comes from the highest jurisprudence in the Middle East that's what is being taught.

Bat Ye'or

Now the infidel populations are seeing this war as a genocidal war since as it is described by the Muslim historians of Jihad as well as extremely numerous Christian sources this war was conducted in great ferocity, whole cities were given up to massacres, entire populations were deported in slavery or massacred.

Sahih Al-Bukhari – Vol 4, Bk 53, Hadith 386

Umar sent the Muslims to the great countries to fight the pagans. ... When we reached the land of the enemy, the representative of Khosrau (Persia) came out with forty-thousand warriors, and an interpreter got up saying, "Let one of you talk to me!" Al-Mughira replied... "Our Prophet, the Messenger of our Lord, has ordered us to fight you till you worship Allah alone or give Jizyah (tribute) and our Prophet has informed us that our Lord says: Whoever amongst us is killed (martyred), shall go to Paradise to lead such a luxurious life as he has never seen, and whoever amongst us remains alive, shall become your master.

Bat Ye'or

There have been two big waves of Jihad; the Arab waves which started in the 7th century and in the course of only one century had Islamised huge territories, mainly Christian territory from Portugal to Armenia but also Persia. Iraq was at the time Christian in the north and Jewish/Christian in the south.

First wave

634 AD Battle of Basra (Christian/Jewish)
635 AD Damascus Conquered
636 AD Ctesiphon Conquered
637 AD Jerusalem Conquered
641 AD Alexandria Conquered
666 AD Sicily Conquered
670 AD Kabul Conquered
698 AD Carthage Conquered
711 AD Southern Spain Conquered
720 AD Narbonne (South France) Conquered
732 AD Battle of Poitiers – Muslim Advance Halted

Second wave

1064 AD Armenia Conquered
1071 AD Battle of Manzikert
1331 AD Nicaea Conquered
1453 AD Constantinople Conquered
1460 AD Greece Conquered
1389 AD Battle of Kosovo
1521 AD Belgrade Conquered
1683 AD Siege of Vienna – Muslim Advance halted

The second wave of Islamisation started in the eleventh century with the Turkish tribes. All the regions of Eastern Europe, Anatolia which was the seat of the Christian Byzantine

Empire (Now Turkey), Greece, Serbia, Bulgaria, Romania. All the countries around the Mediterranean which once were Christian became the Islamic Empire.

This Turkish wave lasted from the eleventh century until the seventeenth century where the Ottoman army was stopped at the gate of Vienna in 1683.

The Crusades 1095-1270 AD

Serge Trifkovic

The Crusades are not understood in the Muslim world today very differently to the way they are understood in the Western academia and among the Western elite class. Both talk of the Crusades as an aggressive war of conquest by Christian Europe against peaceful innocent Muslims. One may ask however what those Muslims were doing in the holy land in the first place. What happened was that Muhammad and his successors laid a series of wars of conquest and in one such onslaught in 624 AD the holy land – Palestine, Jerusalem was conquered by Muslims. Then Seljuk Turks started interfering with the ability of Christian pilgrims to go to the Holy Land, Jerusalem. When their physical safety was no longer guaranteed, the western Christians acted not only as re-conquerors of the Holy Land that had been once theirs, they also acted quite rightly one might say as protectors of their holy places. A defensive war in the case of the Muslims is even a war of conquest. They are obligated to spread Islam but a land which had once been Muslim in particular must be re-conquered and the Jihad is the rightful name of that war of re-conquest. They could never accept the Crusader states in Antioch and Jerusalem because they were "*dar al-harb*" or "*the House of War*" – reinstated into "*Dar al-Islam*" or "*the House of Islam*". This is a contemporary aspect of the Israeli-Palestinian conflict which many Westerners are not fully aware of.

Exactly the same psychology that prompted Saladin and others to fight the Crusaders is now motivating Hamas. In both cases it is not only a matter of the nationalistic desire of Arabs to expel Europeans and Jewish settlers. It is also the Quranic obligation of all good Muslims to make sure the land once ruled by Muslims will be reverted to their rule again.

From the British historian Hilaire Belloc's – The Great Heresies – 1938

"... It has always seemed to me possible, and even probable, that there would be a resurrection of Islam and that our sons or grandsons would see the renewal of that tremendous struggle between the Christian culture and what has been for more than a thousand years its greatest opponent." "The suggestion that Islam may re-arise sounds fantastic – but this is only because men are always powerfully affected by the immediate past: - one might say that they are blinded by it..." "But not so very long ago, less than a hundred years before the Declaration of Independence... Vienna was almost taken and only saved by the Christian army under the command of the King of Poland... on a date that ought to be among the most famous in history --

September 11, 1683,

Robert Spencer

On September 11th, 1683 the siege of Vienna was broken. That was the high point of Islamic Jihad expansion into Europe. After that Islam went into a decline and the Islamic world was colonised and in a drastically weakened state. It seems very likely, almost certain as far as I'm concerned that Osama Bin Laden chose September 11 in 2001 to

signal that the decline of the Islamic world was over and that the Jihadists were back and that they were going to pick up where they left off in Vienna in 1683.

Serge Trifkovic

If we look at the tectonic plates between the Islamic world and the non-Islamic world today we notice something very interesting. That even very diverse Muslim societies which can not be easily branded under one civilisation label have something in common and it is the tendency that they are in conflict with their neighbours. If we look at the extreme outreach of Islam we see East Timor where Indonesian Muslims slaughtered a third of the population of this former Portuguese colony who are Roman Catholics. In Southern Philippines an extremely violent Islamic rebellion has gradually escalated the last years. In Indonesia itself we had religious conflicts in the Spice Islands where the Christian minority are in danger of extinction. We have very active Islamic movements both in Thailand and in China, Xingjian. On the Indian subcontinent the history is tragic indeed, that's where the Hindu holocaust took place in medieval times, a little known episode in the history of Islam in the Western world, but a one that left a deep traumatic mark on the people of the region and where the conflict is still present in the province of Kashmir. In Africa there is the constant war in Sudan which has been going on since 1987. It's hard to estimate the number of lives that have been claimed but its most likely several hundreds of thousands. There is the constant instability in Nigeria between the resurgent central northern states which are increasingly pressuring the government into accepting Sharia law as the law of the lands in those provinces. And of course there is Mauritania where Muslims constantly battle non-Muslim southerners. Then there is of course Caucasus-Chechnya and in Europe itself we have the conflict in former Yugoslavia between the Bosnian Muslims, Serbs and Croats and the conflict between Albanians, Serbs and Macedonians and quite possibly within not too long the conflict between the Albanians and Greeks. If we eliminate these conflicts, Chechnya, the Balkans, Sudan the world is a pretty peaceful place. If we eliminate from the terrorist equation, terrorist acts carried out by Muslims the past 5 years we would come to realise that the war on terror is un-necessary because terror is not a very big problem.

5. War is Deceit

US Senator from Nevada;

I've been on the floor before speaking about Islam and what a great religion it is. I've said before and I repeat; my wife's primary physicians are two members of the Islamic faith, her internist and the person that has performed surgery on her. I know them well, been in their homes, socialised with them, talked about very serious things with them; we've helped each other with family problems. I've been to the new Mosque with them in Las Vegas. They are wonderful people with great families and I've come to realise that Islam is a good religion, it's a good way of life, people have a good health code as their religion dictates and they have great spiritual values as their religion dictates. It's too bad that there are some people, misdirected people, around the world trying to take away from this very fine religion. I believe that they cannot give this religion a bad name; I think that the power of this religion and the power of the people in this religion will overcome these evil people that are using this fine religion to do bad things to innocent people.

Robert Spencer

Islam is a religion and is a political system that dictates that one must carry out warfare against un-believers until they either convert or submit. This is the justification that the terrorists around the world are using for what they are doing and that justification is

based on core elements of Islamic tradition. That being the case; it's very difficult for moderate Muslims, peaceful Muslims to stand up within the Islamic community and to say; this is not part of Islam. They only do so out of conscious deception intending to mislead Westerners in accord with the Islamic doctrine of "*Taqiyya*" - religious deception, or they do so on the basis of simply being unaware of what Islam actually teaches.

Sahih Al-Bukhari – Vol 4, Bk 52, Hadith 269

The Prophet said; "War is deceit."

Abdullah Al-Araby

Lying, generally speaking, is not allowed in Islam. But unlike other religions there are certain situations where a Muslim can lie and that would be acceptable, even encouraged. This concept is called "*al-Taqiyya*" which means "prevention". So a Muslim is allowed to lie to prevent harm that may come to him, his group or to Islam

Robert Spencer

When one is under pressure one may lie in order to protect the religion. This is taught in the Quran, Chapter 3, Verse 28 and Chapter 16, Verse 106.

Abdullah Al-Araby

There are certain provisions for lying. A Muslim can lie for the cause of Islam, can lie to his family to keep peace, so he can lie to his wife. A Muslim can lie to his fellow Muslim to keep peace in the society.

Mohammad himself ordered people to lie. When people that he ordered to go and kill somebody, they told him; we cannot kill them unless we lie to that person. He said; ok, fine, lie.

The life of Muhammad – P 367

The Apostle said... "Who will rid me of Ibnul-Ashraf?" Muhammad bin Maslama, brother of the Bani Abdul-Ashal, said, "I will deal with him for you, O Apostle of God, I will kill him". The Apostle said; "Do so if you can." ... He said, "O Apostle of God, we shall have to tell lies." He answered; "Say what you like, for you are free in the matter."

Serge Trifkovic

The spokesman for Islam in the Western world knows how to play the game. They know how to present their cause in a way that is not only regarded as acceptable by the society mainstream but also reasonable and just. They will appeal to democratic institutions and their human rights in the full knowledge that given the power to do so, they will abolish those institutions and deny those rights to others.

“By Allah, and Allah willing, if I take an oath and later find something else that is better than that, then I do what is better and expiate my oath.”

Walid Shoebat – Personal experiences around committing “al-Taqiyya”

When I used to work as a translator at the Luc College in Chicago we arranged fund raising events for Jihadi movements, PLO being one of those organisations. We handed out and placed announcements for the event on the walls of the College. And I remember on Arabic it would be basically the facts; bring your friends, we were intending to raise funds to support our Jihadi brothers in Lebanon during the fighting in Southern-Lebanon against Israel. And then comes the English part. In the English part it would be the standard; we would be conducting a Middle-Eastern cultural event, you are all welcome, we will be serving lamb and “*baklava*”...

So the West really does not comprehend the magnitude of the “social deceit” that is going on in every aspect of social life, even from moderate Muslims. When we get together as a group our conversations are different. As soon as a Westerner would come into the scene then the whole conversation changes. It becomes compatible to western minds.

When I used to go to work, I worked for an American company during the Gulf war, everyone would be hovering around the TV sets as soon as there was a scud missile hitting Riad or something like that and everyone would be distraught, unhappy if a scud lands in the American camp. And I would be among my American colleagues and say; “*oh that’s too bad, I’m sorry that we had loss of life*”. Out of frustration from having to keep the truth of what I really felt I would roll down the window on my way home on the freeway and scream as loud as I could; Allahu achbar!, Allahu achbar!

This is the incantation you do when the enemy is killed, when you win. So if it was a victorious day for the Iraqi’s, when they land a scud missile it would be “*Allahu achbar*” on the freeway where no one could hear me. When I came home to my apartment the rest of the apartment complex were also Arabs from the Middle East. We would get together in my apartment, watch the Gulf war on satellite TV and we would be praising Allah every time there was an incident where Americans got killed. But it wasn’t the same face we put on in an American environment. In an American environment you played a different scenario, you acted as if you were on their side. So this whole façade is in place and the truth is often hidden from the west

Bat Ye’or

It was Edward Said, who wrote “Orientalism”, who is the main contributor in the creation of the view of this new version of Islam as a religion of peace and tolerance. These views are now established in all Western Universities and in academia. On this basis the whole history of Dhimmitude and Jihad disappeared.

Robert Spencer

Edward Said who in his book “Orientalism” wrote that criticism of the Islamic world on the part of Westerners was racist and imperialist. It is spread in order to make political points, to accustom Westerners to the idea that Muslims are here to stay in Europe and the US and that they must not be questioned in terms of their loyalty to the secular framework of Western society. They must not be questioned in this despite Islam’s historical, political character because Islam is the religion of peace. This fiction has

become so entrenched in American and European public discourse such that anyone who does question it is immediately branded as a racist, a hate monger and a bigot. Furthermore, this is a very effective tool in a country where racism is the cardinal sin among all, to silence any effective debate about the continuing attachment of Muslim immigrants to Sharia law and their intentions toward the secular systems in which they now reside.

6. More than a Religion

Spokesperson for the Bush administration:

This is not a clash between Islam or Arabs, this is about freedom, not culture. It's about working with Islamic governments who want to move forward into the modern world. Working with Islamic governments who see their face as a face of peace, and working against the violence and terror and the people who seek to hold back the world and who seek to disrupt peace and freedom for others. So that is what it's about for us, the true faith of Islam, we believe, is a religion of peace and we intend to work with them in that regard.

Abdullah Al-Araby

Islam has to be known as more than a religion. The idea that Islam is a spiritual religion like f. example Christianity is completely incorrect.

Serge Trifkovic

It would be incorrect to describe Islam primarily as a religion. Since its early beginning in Muhammad's lifetime it has also been a geo political project and a system of government and a political ideology.

Robert Spencer

Islam from its beginnings was both a religion and a system of government. F. example; the Islamic calendar doesn't base year 1 from the time that Muhammad was born or the time that Muhammad received his first revelation from Allah which I think that both are what Westerners might expect. Year 1 is from the time that Muhammad became the leader of an army and a head of state in Medina. This is the beginning of the Islamic calendar because in the Islamic understanding Islam is a political and social system as well as an individual faith.

Serge Trifkovic

In Islam the separation between temporal secular and religious power is not only impossible, it is heretical. Only in the complete blending of all aspects of human activity and all aspects of political and legal functions of the state can we have the Caliphate, the properly organised state that is pleasing to Allah.

Walid Shoebat

When Westerners think of religion whether its Islam, Christianity, Judaism, Hinduism and Buddhism, Westerners think that it's a personal issue, a Buddhist will go to the temple and worship peacefully, a Jew goes to the temple and does his "*mitzvah*", a Muslim goes to the mosque and pays "*zakat*", a Christian goes to church on Sunday to pray. They think it's a personal issue, that religion is a personal issue. So when they look at Islam they compare Islam with the way they understand religions, and that's the first mistake. Islam is not a religion for personal use, Islam is Sharia law, Islam is a form of government to the world, THEN a personal application. It is not just how you pray and that you pray towards Mecca, it's how you dress, you dress in Arab culture, you speak Arabic, you can't go to heaven unless you pray in Arabic, you can't read the Quran in English and expect to get good deeds to go to heaven. You read the Quran in Arabic. It becomes an imperialistic system where everybody now must speak Arabic, think Arabic and practice the religion in Arabic. it's a form of law, not just in how you eat but how you get married, how you deal with your government, how you deal with your military, how you deal with the youth, how you deal with women – EVERY aspect of your life becomes Islam. Everything is Islam.

Sahih Al-Bukhari – Vol 2, Bk 23, Hadith 413

The Jews brought to the Prophet a man and a woman from amongst them who had committed (adultery) illegal sexual intercourse. The Prophet ordered both of them to be stoned (to death) near the place of offering the funeral prayers beside the mosque.

Sahih Al-Bukhari – Vol 7, Bk 62, Hadith 88

The Prophet wrote the marriage contract with Aisha while she was six years old and consummated his marriage with her while she was nine years old and she remained with him for nine years (i.e. till his death).

Robert Spencer

In no way is Islamic Sharia, Islamic government compatible with Western understandings of human rights and freedom of conscience. Traditional Islam forbids conversion from Islam and forbids anyone to leave Islam. There is no way out. It forbids Muslims and non-Muslims to live as equals in society. It mandates the second class status (dhimmi) of non-Muslims, forbidding them to hold authority over Muslims thus forbidding them to hold certain jobs as a result. It even historically mandated that houses of worship (of Jews and Christians) were neither to be built or repaired resulting in communities ending up in a constant state of decline.

Sura 5, Verse 51

O you who believe! Take not the Jews and the Christians as Auliya (friends, protectors, helpers, etc.), they are but Auliya to one another. And if any amongst you takes them as Auliya, then surely he is one of them.

Serge Trifkovic

It is not possible for a non-Muslim, living in a Muslim society to invoke his civil rights and human rights that would be independent or separate from the Sharia concept. He is expected to submit to Sharia willingly and if he accepts his Dhimmitude he will be a protected person. A protected person is someone who is in fact a willing subordinate to the Muslim overlords.

The life of Muhammad – P 368

We saluted him as he stood praying, and he came out to us, and we told him that we had killed God's enemy. He spat upon our comrade's wounds and both he and we returned to our families.

Our attack upon God's enemy cast terror among the Jews, and there was no Jew in Medina who did not fear for his life.

Walid Shoebat

Muhammad very clearly said, which is documented through the Hadith, that; *"I have been ordered to fight until everyone says that "there is no god but Allah and Muhammad is the messenger of Allah"*. This is how Islam spread to North-Africa, this is how Islam spread all the way to Indonesia and this is how Islam spread throughout the Middle-East. Syria was not a Muslim country, Lebanon was not Muslim. Saudi Arabia even, was a mixed multitude. That is how Islam spread all throughout the Middle-East, by the sword. This is why you don't see any synagogues and churches in Saudi Arabia. Christianity is virtually non-existent. Even in the village in Bethlehem, Muslims are taking over. There is only 20% left of the Christian population. In Lebanon, Christian Lebanese are moving by the droves, Hezbollah there are very active. Lebanon used to be a Christian nation. Now all of a sudden it is being Islamised so Islam is on the move and has been since its creation.

Robert Spencer

Muslims who come to the United States and come to Europe with an idea that Sharia is the law of Allah, they look upon our freedom of religion and they look upon the fact that non-Muslims are in power making laws that are not on the basis of the law of Allah but on the basis of consensus and free elections. They look upon all that as a manifestation of *"Jahelia"* or unbelief - the pre-Islamic period of ignorance, as the times in any nation's history before it became Muslim. You have Pakistan, Iran and so on; they refer to the period of their history before they became Muslim as the period of *"Jahelia"*. They will also consider the United States and Europe to be in periods of Jahelia today. And many Muslims coming into the United States and Western Europe will work to establish Islamic mechanisms of government here where the goal is to create Islamic states on the basis of the idea that secular states and the state based on elections has no legitimacy. You don't have elections about the law of Allah, you simply obey what God says.

7. The House of War

Robert Spencer

The most important thing of what the west needs to know about Islam today is that it has a political character and that it is not simply a religion. It is a religion and a belief system that mandates warfare against unbelievers for the purpose for establishing a societal model that is absolutely incompatible with Western society. Americans needs to know this, Europeans need to know this because Muslims are coming in to Western countries while holding these beliefs and intending to act upon them. They are the motivation behind modern terrorist activity and they are the goals of millions of Muslims in the West and around the world. We need to know this so that we can protect

ourselves. But unfortunately because of political correctness and because of media and general government unwillingness to face the sources of Islamic terrorism these things remain largely unknown.

Walid Shoebat

Islamic fundamentalism is a sleeper cell in Europe and the US. A good casing point is Saladin. Saladin is a great hero in Islam. Saladin was the one who defeated the Crusades. There was a treaty that was supposed to be happening between the Crusaders and Saladin and the story goes as follows; the Arab mediator came to Saladin and said – the Quran says: *“If they concede to peace than concede to it”*, which means that if the enemy wants peace let’s have peace which is a Verse you can find directly in the Quran. And Saladin responded with a great answer when he stated to the guy; you are an Arab and I’m a Kurd. You should know the Quran better than me... Don’t forget that the Quran also says; *“Why should we concede for peace when we have the upper hand”*. So you find both Verses in the Quran. You concede to peace when you are the weaker party. This is why you hear the term *“hudna”*. *“Hudna”* is a peace treaty, a cease fire. In Iraq, Sadr asked for hudna because he knew he couldn’t defeat the Americans. You find hudna’s in several conflicts when the enemy is stronger than you are. But as soon as you gain strength then you don’t concede for peace. This is why the face of Islamic fundamentalism in the West has a façade that Islam is a peaceful religion. Because they are waiting to have more Islamic immigrants, they are waiting to increase in number, waiting to increase their political power. Once they do then history will repeat itself. You will see the real face of Islamic fundamentalism here in your country.

Robert Spencer

It’s unfortunate but it’s no negotiating with Jihadists. There is no striking a deal with them. Islamic law is very clear on that and here once again is an example; we need to take Islam seriously! Islamic law does not allow for treaties. It does not allow for negotiated settlements between Muslim states and non-Muslim states. All it allows for is a temporary period of up to 10 years of hudna or what is commonly translated as truce. To allow the Islamic forces to gather its strength. But that’s not the same as peace as we know it. That’s not the same as the absence of the state of war, that’s only a temporary truce. In a war that the Jihadists consider has gone on for 14 centuries and are willing to fight for 14 more.

Sura 47, Verse 4

So, when you meet (in fight, Jihad in Allah’s Cause) those who disbelieve, smite at their necks till when you have killed and wounded many of them, then bind a bond firmly on them (i.e. take them as captives). ... Thus you are ordered by Allah to continue in carrying out Jihad against the disbelievers till they embrace Islam (i.e. are saved from the punishment in the Hell-fire) or at least come under your protection), but if it had been Allah’s Will, He Himself could certainly have punished them (without you). But (he lets you fight), In order to test you, some with others. But those who are killed in the Way of Allah, He will never let their deeds be lost.

Serge Trifkovic

In Islamic thinking the world is divided into the “House of Islam”, where Islamic law has been established, where Allah rules supreme, and the “House of War” which is the rest of the world. This dichotomy is reminiscent of other totalitarian ideologies and most explicitly communism. Both communism and Islam seek the end of history in this world.

The end of history will come when the entire world becomes Islam or when the proletarian revolution brings the working class to power all over the world which will be the end of state, the end of money and the end of class oppression. In both cases it is possible to have a period of truce. It is possible to have peaceful co-existence but that peaceful co-existence is a tactical ploy and not a permanent solution.

Sahih Al-Bukhari – Vol 4, Bk 52, Hadith 196

Allah's Apostle said, "I have been ordered to fight with the people till they say, none has the right to be worshipped but Allah.

Robert Spencer

If we consider that, if only we changed our policies toward Israel and if only we changed our policies toward Iraq or changed our policies on something else, if only we hadn't taken out the "Mossadegh regime" in Iran in 1953... These ideas are ridiculous. They are based on a fundamental misunderstanding of the motives and goals of the Jihadists. This is not a conflict that was created with the creation of the state of Israel or a conflict that was created when the American army went into Iraq. The global Jihad has been going on without any significant interruption since the 7th century. And it only declined in force and activity at periods when the Islamic world was too weak to prosecute it.

Bat Ye'or

The question now that we have to ask ourselves is; do we want to preserve our Judea-Christian values and our own civilisation or do we want, do we choose to go towards a dhimmitude, an enlarged dhimmitude in Europe which will engulf the whole of Europe. This process is not that imminent for the US but it will result in US isolation. It will have to deal in geopolitics with an Islamised, Dhimmi Europe. And these are problems that have to be taken into consideration by Europeans and Americans themselves in choosing their identity and their future – freedom or dhimmitude.

Serge Trifkovic

In order to defend itself against the onslaught of global Jihad which will come in the century ahead, the West would need to really find itself and to say; what exactly is the geographic and cultural space to be defended and in the name of what? Defending the West in the name of the ideology of multiculturalism would be impossible. Multiculturalism and post-modern liberalism are not worthy dying for. They are not something that can inspire people to do what their ancestors had done at "Poitiers" during the first wave and at the walls of Vienna in 1683 during the second wave. What global Jihad has on its side is simple minded commitment of millions of people to not only spread the faith but also better themselves at the expense of the infidel in the first instance through immigration and later on if necessary by other means.

Walid Shoebat

What the west needs to understand about Islam is that Islam has the potential of replacing the dangers that National Socialism and Communism brought with them. Like Nazism and like communism, in Islamism the end justifies the means. There is no respect for national borders. And the whole ideology is to promote their way of thinking and to promote their way of life throughout the entire world. That's what's being taught in the Middle-East, that's what's coming out from all the jurisprudence in Saudi Arabia

and all throughout the Muslim world. Islam will conquer and will continue to conquer until it triumphs, until everyone in the world says; there's no god but Allah and Muhammad is his prophet.

Serge Trifkovic

The peculiarity of Islam has to be faced. Unlike others, and I'm against saying this in the full knowledge that it will offend some Westerners, unlike the Hindus, unlike the Confucians, unlike the enemies of sub-Saharan Africa, the Muslims have an inherent tendency to expand and to convert the rest of the world. Not only to their religion but to their outlook and to their legal and moral system. They will not state this openly while they're in a minority in the countries to which they immigrate, but we have seen this time and over again throughout history. Once they reach the numbers necessary to impose their will they will do so.

Miracles do happen. I do not know if it is another maybe even deadlier terrorist attack that will act as a catalyst or whether it will be a geo-political confrontation in the Middle-East itself, with Israel perhaps at serious peril, but I do hope and trust that a jolt will bring back into the minds and hearts of Europeans the awareness of the need to stand up and be counted. Before it is too late...

Produced and Directed by Gregory M. Davis and Bryan Daly. Produced and Distributed by Quixotic Media, LLC USA 2006

1.8 European Slaves, Arab Masters

By Andrew G. Bostom

A public protest in Washington, DC, April 5, 2005 highlighted the current (ongoing, for centuries) plight of black Mauritians enslaved by Arab masters. The final two decades of the 20th century, moreover, witnessed a frank jihad genocide, including mass enslavement, perpetrated by the Arab Muslim Khartoum government against black Christians and animists in the Southern Sudan, and the same governments continued massacres and enslavement of Animist—Muslim blacks in Darfur. These tragic contemporary phenomena reflect the brutal living legacy of jihad slavery.

Jihad Slavery

The fixed linkage between jihad - a permanent, uniquely Islamic institution— and enslavement, provides a very tenable explanation for the unparalleled scale and persistence of slavery in Muslim dominions, and societies. This general observation applies as well to 'specialised' forms of slavery, including the (procurement and) employment of eunuchs, slave soldiering (especially of adolescents), other forms of child slavery, and harem slavery. Jihad slavery, in its myriad manifestations, became a powerful instrument for both expansive Islamisation, and the maintenance of Muslim societies.

Juridical Rationale and Role in Islamisation

Patricia Crone, in her recent analysis of the origins and development of Islamic political thought, makes an important nexus between the mass captivity and enslavement of non—Muslims during jihad campaigns, and the prominent role of coercion in these major modalities of Islamisation. Following a successful jihad, she notes:

Male captives might be killed or enslaved, whatever their religious affiliation. (People of the Book were not protected by Islamic law until they had accepted *dhimma*.) Captives might also be given the choice between Islam and death, or they might pronounce the confession of faith of their own accord to avoid execution: jurists ruled that their change of status was to be accepted even though they had only converted out of fear. Women and children captured in the course of the campaigns were usually enslaved, again regardless of their faith...Nor should the importance of captives be underestimated. Muslim warriors routinely took large numbers of them. Leaving aside those who converted to avoid execution, some were ransomed and the rest enslaved, usually for domestic use. Dispersed in Muslim households, slaves almost always converted, encouraged or pressurised by their masters, driven by a need to bond with others, or slowly, becoming accustomed to seeing things through Muslim eyes even if they tried to resist. Though neither the *dhimmi* nor the slave had been faced with a choice between Islam and death, it would be absurd to deny that force played a major role in their conversion. [1]

For the idolatrous Hindus, enslaved in vast numbers during the waves of jihad conquests that ravaged the Indian subcontinent for well over a half millennium (beginning at the outset of the 8th century C.E.), the guiding principles of Islamic law regarding their fate were unequivocally coercive. Jihad slavery also contributed substantively to the growth of the Muslim population in India. K.S. Lal elucidates both of these points: [2]

The Hindus who naturally resisted Muslim occupation were considered to be rebels. Besides they were idolaters (*mushrik*) and could not be accorded the status of *Kafirs*, of the People of the Book — Christians and Jews... Muslim scriptures and treatises advocated jihad against idolaters for whom the law advocated only Islam or death... The fact was that the Muslim regime was giving [them] a choice between Islam and death only. Those who were killed in battle were dead and gone; but their dependents were made slaves. They ceased to be Hindus; they were made Musalmans in course of time if not immediately after captivity...slave taking in India was the most flourishing and successful [Muslim] missionary activity...Every Sultan, as [a] champion of Islam, considered it a political necessity to plant or raise [the] Muslim population all over India for the Islamisation of the country and countering native resistance.

Vryonis describes how jihad slavery, as practiced by the Seljuk's and early Ottomans, was an important modality of Islamisation in Asia Minor during the 11th through the 14th century [3]:

A further contributing factor to the decline in the numbers of Christian inhabitants was slavery...Since the beginning of the Arab razzias into the land of Rum, human booty had come to constitute a very important portion of the spoils. There is ample testimony in the contemporary accounts that this situation did not change when the Turks took over the direction of the jihad in Anatolia. They enslaved men, women, and children from all major urban centers and from the countryside where the populations were defenceless. In the earlier years before the Turkish settlements were permanently affected in Anatolia, the captives were sent off to Persia and elsewhere, but after the establishment of the Anatolian Turkish principalities, a portion of the enslaved were retained in Anatolia for the service of the conquerors.

After characterising the coercive, often brutal methods used to impose the devshirme child levy, and the resulting attrition of the native Christian populations (i.e., from both expropriation and flight), Papoulia concludes that this Ottoman institution, a method of Islamisation par excellence, also constituted a de facto state of war: [4]

...that the sources speak of *piasimo* (seizure) *aichmalotos paidon* (capture) and *arpage paidon* (grabbing of children) indicates that the children lost through the devshirme were understood as casualties of war. Of course, the question arises whether, according to Islamic law, it is possible to regard the devshirme as a form of the state of war, although the Ottoman historians during the empire's golden age attempted to interpret this measure as a consequence of conquest by force *be'anwa*. It is true that the Greeks and the other peoples of the Balkan peninsula did not as a rule surrender without resistance, and therefore the fate of the conquered had to be determined according to the principles of the Koran regarding the *Ahl-al-Qitâb*: i.e. either to be exterminated or be compelled to convert to Islam or to enter the status of protection, of *aman*, by paying the taxes and particularly the *jizya* (poll-tax). The fact that the Ottomans, in the case of voluntary surrender, conceded certain privileges one of which was exemption from this heavy burden, indicates that its measure was understood as a penalisation for the resistance of the population and the devshirme was an expression of the perpetuation of the state of war between the conqueror and the conquered... the sole existence of the institution of devshirme is sufficient to postulate the perpetuation of a state of war.

Under Shah Abbas I (1588—1626 C.E.), the Safavid Shi'ite theocracy of Iran expanded its earlier system of slave razzias into the Christian Georgian and Armenian areas of the Caucasus. Georgian, Armenian, and Circassian inhabitants of the Caucasus were enslaved in large numbers, and converted, thereby, to Shi'a Islam. The males were made to serve as (primarily) military or administrative slaves, while the females were forced into harems. A transition apparently took place between the 17th and 18th centuries such that fewer of the slaves came from the Caucasus, while greater numbers came via the Persian Gulf, originating from Africa. [5] Ricks notes that by the reign of Shah Sultan Husayn;

The size of the royal court had indeed expanded if the numbers of male and female slaves including white and black eunuchs are any indicators. According to a contemporary historian, Shah Sultan Husayn (d. 1722) made it a practice to arrive at Isfahan's markets on the first days of the Iranian New Year (March 21) with his entire court in attendance. It was estimated by the contemporary recorder that 5,000 male and female black and white slaves including the 100 black eunuchs comprised the royal party. [6]

Clement Huart, writing in the early 20th century (1907), observed that slaves, continued to be the most important component of the booty acquired during jihad campaigns or razzias: [7]

Not too long ago several expeditions crossed *Amoû-Deryâ*, i.e. the southern frontier of the steppes, and ravaged the eastern regions of Persia in order to procure slaves; other campaigns were launched into the very heart of unexplored Africa, setting fire to the inhabited areas and massacring the peaceful animist populations that lived there.

Willis characterises the timeless Islamic rationale for the enslavement of such 'barbarous' African animists, as follows: [8]

...as the opposition of Islam to *kufr* erupted from every corner of malice and mistrust, the lands of the enslavable barbarian became the favourite hunting ground for the 'people of

reason and faith'—the parallels between slave and infidel began to fuse in the heat of jihad. Hence whether by capture or sale, it was as slave and not citizen that the kafir was destined to enter the Muslim domain. And since the condition of captives flowed from the status of their territories, the choice between freedom and servility came to rest on a single proof: the religion of a land is the religion of its amir (ruler); if he be Muslim, the land is a land of Islam (dar al—Islam); if he be pagan, the land is a land of unbelief (dar al—kufr). Appended to this principle was the kindred notion that the religion of a land is the religion of its majority; if it be Muslim, the land is a land of Islam; if it be pagan, the land is a land of kufr, and its inhabitants can be reckoned within the categories of enslavement under Muslim law. Again, as slavery became a simile for infidelity, so too did freedom remain the signal feature of Islam...The servile estate was hewn out of the ravaged remains of heathen villages — from the women and children who submitted to Islam and awaited their redemption...[according to Muslim jurist] al—Wanshirisi (d.1508), slavery is an affliction upon those who profess no Prophecy, who bear no allegiance to religious law. Moreover, slavery is an humiliation — a subjection— which rises from infidelity.

Based on his study and observations of Muslim slave razzias gleaned while serving in the Sudan during the Mahdist jihad at the close of the 19th century, Winston Churchill wrote this description (in 1899): [9]

all [of the Arab Muslim tribes in The Sudan], without exception, were hunters of men. To the great slave markets of Jeddah a continual stream of negro captives has flowed for hundreds of years. The invention of gunpowder and the adoption by the Arabs of firearms facilitated the traffic...Thus the situation in the Sudan for several centuries may be summed up as follows: The dominant race of Arab invaders was increasingly spreading its blood, religion, customs, and language among the black aboriginal population, and at the same time it harried and enslaved them...The warlike Arab tribes fought and brawled among themselves in ceaseless feud and strife. The negroes trembled in apprehension of capture, or rose locally against their oppressors.

All these elements of jihad slavery— its juridical rationale, employment as a method of forcible Islamisation (for non—Muslims in general, and directed at Sub—Saharan African Animists, specifically), and its association with devshirme—like levies of adolescent males for slave soldiering— are apparent in the contemporary jihad being waged against the Animists and Christians of southern Sudan, by the Arab Muslim—dominated Khartoum regime. [10]

Extent and Persistence

The scale and scope of Islamic slavery in Africa are comparable to the Western trans—Atlantic slave trade to the Americas, and as Willis has observed (somewhat wryly), [11] the former '...out—distances the more popular subject in its length of duration.' Quantitative estimates for the trans-Atlantic slave trade (16th through the end of the 19th century) of 10,500,000 (or somewhat higher [12]), are at least matched (if not exceeded by 50%) by a contemporary estimate for the Islamic slave trade out of Africa. Professor Ralph Austen's working figure for this composite of the trans-Saharan, Red Sea, and Indian Ocean traffic generated by the Islamic slave trade from 650 through 1905 C.E., is 17,000,000. [13] Moreover, the plight of those enslaved animist peoples drawn from the savannah and northern forest belts of western and central Africa for the trans—Saharan trade was comparable to the sufferings experienced by the unfortunate victims of the trans—Atlantic slave trade. [14]

In the Nineteenth Century, slaves reached the ports of Ottoman Tripoli by three main Saharan routes, all so harsh that the experience of slaves forced to travel them bore comparison with the horrors of the so-called 'middle—passage' of the Atlantic.

This illuminating comparison, important as it is, ignores other vast domains of jihad slavery: throughout Europe (Mediterranean and Western Europe, as well as Central and Eastern Europe, involving the Arabs [Western/Mediterranean], and later the Ottoman Turks and Tatars [Central and Eastern Europe]); Muscovite Russia (subjected to Tatar depredations); Asia Minor (under Seljuk and Ottoman domination); Persia, Armenia, and Georgia (subjected to the systematised jihad slavery campaigns waged by the Shi'ite Safavids, in particular); and the Indian subcontinent (razzias and jihad campaigns by the Arabs in the 7th and 8th centuries, and later depredations by the Ghaznavids, during the Delhi Sultanate, the Timurid jihad, and under the Mughals). As a cursory introduction to the extent of jihad slavery beyond the African continent, three brief examples are provided: the Seljuks in Asia Minor (11th and 12th centuries); the Ottomans in the Balkans (15th century); and the Tatars in southern Poland and Muscovite Russia (mid—15th through 17th centuries).

The capture of Christians in Asia Minor by the Seljuk Turks was very extensive in the 11th and 12th centuries. [15] Following the seizure and pillage of Edessa, 16,000 were enslaved. [16] Michael the Syrian reported that when the Turks of Nur al—Din were brought into Cilicia by Mleh the Armenian, they enslaved 16,000 Christians, whom they sold at Aleppo. [17] A major series of razzias conducted in the Greek provinces of Western Asia Minor enslaved thousands of Greeks (Vryonis believes the figure of 100,000 cited in a contemporary account is exaggerated [18]), and according to Michael the Syrian, they were sold in slave markets as distant as Persia. [19] During razzias conducted by the Turks in 1185 and over the next few years, 26,000 inhabitants from Cappadocia, Armenian, and Mesopotamia were captured and sent off to the slave markets. [20] Vryonis concludes: [21]

...these few sources seem to indicate that the slave trade was a flourishing one. In fact, Asia Minor continued to be a major source of slaves for the Islamic world through the 14th century.

The Ottoman Sultans, in accord with Shari'a prescriptions, promoted jihad slavery aggressively in the Balkans, especially during the 15th century reigns of Mehmed I (1402—1421), Murad II (1421—1451), and Mehmed II (1451—1481). [22]

Alexandrescu—Dersca summarises the considerable extent of this enslavement, and suggests the importance of its demographic effect: [23]

The contemporary Turkish, Byzantine and Latin chroniclers are unanimous in recognising that during the campaigns conducted on behalf of the unification of Greek and Latin Romania and the Slavic Balkans under the banner of Islam, as well as during their *razzias* on Christian territory, the Ottomans reduced masses of inhabitants to slavery. The Ottoman chronicler Aşikpaşazade relates that during the expedition of Ali pasha Evrenosoghlu in Hungary (1437), as well as on the return from the campaign of Murad II against Belgrade (1438), the number of captives surpassed that of the combatants. The Byzantine chronicler Ducas states that the inhabitants of Smederevo, which was occupied by the Ottomans, were led off into bondage. The same thing happened when the Turks of Menteşe descended upon the islands of Rhodes and Cos and also during the expedition of the Ottoman fleet to Enos and Lesbos. Ducas even cites numbers: 70,000 inhabitants carried off into slavery during the campaign of Mehmed II in Morée (1460). The Italian Franciscan Bartholomé de Yano (Giano dell'Umbria) speaks about 60,000 to 70,000 slaves captured over the course of two expeditions of the *akinçis* in Transylvania (1438) and about 300,000 to 600,000

Hungarian captives. If these figures seem exaggerated, others seem more accurate: forty inhabitants captured by the Turks of Menteše during a *razzia* in Rhodes, 7,000 inhabitants reduced to slavery following the siege of Thessalonika (1430), according to John Anagnostes, and ten thousand inhabitants led off into captivity during the siege of Mytilene (1462), according to the Metropolitan of Lesbos, Leonard of Chios. Given the present state of the documentation available to us, we cannot calculate the scale on which slaves were introduced into Turkish Romania by this method. According to Bartholomé de Yano, it would amount to 400,000 slaves captured in the four years from 1437 to 1443. Even allowing for a certain degree of exaggeration, we must acknowledge that slaves played an important demographic part during the fifteenth-century Ottoman expansion.

Fisher [24] has analysed the slave *razzias* conducted by the Muslim Crimean Tatars against the Christian populations of southern Poland and Muscovite Russia during the mid-15th through late 17th century (1463–1794). Relying upon admittedly incomplete sources ('...no doubt there are many more slave raids that the author has not uncovered' [25]), his conservative tabulations [26] indicate that at least 3 million (3,000,000) persons — men, women, and children — were captured and enslaved during this so-called 'harvesting of the steppe'. Fisher describes the plight of those enslaved: [27]

...the first ordeal [of the captive] was the long march to the Crimea. Often in chains and always on foot, many of the captives died en route. Since on many occasions the Tatar raiding party feared reprisals or, in the seventeenth century, attempts by Cossack bands to free the captives, the marches were hurried. Ill or wounded captives were usually killed rather than be allowed to slow the procession. Heberstein wrote... 'the old and infirm men who will not fetch much as a sale, are given up to the Tatar youths either to be stoned, or thrown into the sea, or to be killed by any sort of death they might please.' An Ottoman traveler in the mid-sixteenth century who witnessed one such march of captives from Galicia marveled that any would reach their destination — the slave markets of Kefe. He complained that their treatment was so bad that the mortality rate would unnecessarily drive their price up beyond the reach of potential buyers such as himself. A Polish proverb stated: 'Oh how much better to lie on one's bier, than to be a captive on the way to Tartary'

The persistence of Islamic slavery is as impressive and unique as its extent. Slavery was openly practiced in both Ottoman Turkey [28], and Shi'ite (Qajar) Iran [29], through the first decade of the 20th century. As Toledano points out, [30] regarding Ottoman Turkey, kul (administrative)/ harem slavery,

...survived at the core of the Ottoman elite until the demise of the empire and the fall of the house of Osman in the second decade of the 20th century.

Moreover, Ricks [31] indicates that despite the modernising pressures and reforms culminating in the Iranian Constitutional Movement of 1905–1911, which effectively eliminated military and agricultural slavery,

The presence of domestic slaves, however, in both the urban and rural regions of Southern Iran had not ceased as quickly. Some Iranians today attest to the continued presence of African and Indian slave girls...

Slavery on the Arabian peninsula was not abolished formally until 1962 in Saudi Arabia, 32 and 1970 in Yemen and Oman. 33 Writing in 1989, Gordon [34] observed that although Mauritania abolished slavery officially on July 15, 1980,

...as the government itself acknowledges, the practice is still alive and well. It is estimated that 200,000 men, women, and children are subject to being bought and sold like so many cattle in this North African country, toiling as domestics, shepherds, and farmhands.

Finally, as discussed earlier, there has been a recrudescence of jihad slavery, since 1983 in the Sudan. [35]

An Overview of Eunuch Slavery—the 'Hideous Trade'

Eunuch slaves — males castrated usually between the ages of 4 and 12 (due to the high risk of death, preferentially, between ages 8 and 12), [36] were in considerable demand in Islamic societies. They served most notably as supervisors of women in the harems of the rulers and elites of the Ottoman Empire, its contemporary Muslim neighbours (such as Safavid Iran), and earlier Muslim dominions. The extent and persistence of eunuch slavery — becoming prominent within 200 years of the initial 7th century Arab jihad conquests [37], through the beginning of the 20th century [38] — are peculiar to the Islamic incarnation of this aptly named 'hideous trade'. For example, Toledano documents that as late as 1903, the Ottoman imperial harem contained from 400 to 500 female slaves, supervised and guarded by 194 black African eunuchs. [39]

But an equally important and unique feature of Muslim eunuch slavery was the acquisition of eunuchs from foreign 'slave producing areas' [40], i.e., non—Muslim frontier zones subjected to razzias. As David Ayalon observed, [41]

...the overwhelming majority of the eunuchs, like the overwhelming majority of all other slaves in Islam, had been brought over from outside the borders of Muslim lands.

Eunuch slaves in China, in stark contrast, were almost exclusively Chinese procured locally. [42]

Hogendorn [43] has identified the three main slave producing regions, as they evolved in importance over time, from the 8th through the late 19th centuries:

These areas were the forested parts of central and eastern Europe called by Muslims the 'Bild as—Saqliba' ('slave country'), the word saqlab meaning slave in Arabic (and related to the ethnic designation 'Slav'); the steppes of central Asia called the 'Bilad al—Atrak' ('Turks' country' or Turkestan); and eventually most important, the savanna and the fringes of the wooded territory south of the Sahara called the country of the blacks or 'Bilad as—Sudan'.

Lastly, given the crudeness of available surgical methods and absence of sterile techniques, the human gelding procedure by which eunuchs were 'manufactured' was associated with extraordinary rates of morbidity and mortality. Hogendorn describes the severity of the operation, and provides mortality information from West and East Africa: [44]

Castration can be partial (removal of the testicles only or removal of the penis only), or total (removal of both). In the later period of the trade, that is, after Africa became the most important source for Mediterranean Islam, it appears that most eunuchs sold to the markets underwent total removal. This version of the operation, though considered most appropriate for slaves in constant proximity to harem members, posed a very high danger of death for two reasons. First was the extensive hemorrhaging, with the consequent possibility of almost immediate death. The hemorrhaging could not be stopped by traditional cauterisation because that would close the urethra leading to eventual death because of inability to pass urine. The second danger lay in infection of the urethra, with the formation of pus blocking it and so causing death in a few days.

...when the castration was carried out in sub-Saharan West and West-Central Africa...a figure of 90% [is] often mentioned. Even higher death rates were occasionally reported, unsurprising in tropical areas where the danger of infection of wounds was especially high. At least one contemporary price quotation supports a figure of over 90% mortality: Turkish merchants are said to have been willing to pay 250 to 300 (Maria Theresa) dollars each for eunuchs in Borno (northeast Nigeria) at a time when the local price of young male slaves does not seem to have exceeded about 20 dollars...Many sources indicate very high death rates from the operation in eastern Africa.. Richard Millant's [1908] general figure for the Sudan and Ethiopia is 90%.

Conclusion

Contemporary manifestations of Islamic slavery—certainly the razzias (raids) waged by Arab Muslim militias against their black Christian, animist, and animist—Muslim prey in both the southern Sudan and Darfur—and even in its own context, the persistence of slavery in Mauritania (again, black slaves, Arab masters)—reflect the pernicious impact of jihad slavery as an enduring Muslim institution. Even Ottoman society, arguably the most progressive in Muslim history, and upheld just recently at a United Nations conference as a paragon of Islamic ecumenism, never produced a William Wilberforce, much less a broad, religiously—based slavery abolition movement spearheaded by committed Muslim ulema. Indeed, it is only modern Muslim freethinkers, anachronistically referred to as 'apostates,' who have had the courage and intellectual integrity to renounce the jihad, including jihad slavery, unequivocally, and based upon an honest acknowledgement of its devastating military and social history. When the voices of these Muslim freethinkers are silenced in the Islamic world—by imprisonment and torture, or execution—the outcome is tragic, but hardly unexpected. That such insightful and courageous voices have been marginalised or ignored altogether in the West is equally tragic and reflects the distressing ignorance of Western policymaking elites.

Sources:

1. Patricia Crone. *God's Rule. Government and Islam*. New York: Columbia University Press, 2004, pp. 371–72
2. K.S. Lal, *Muslim Slave System India*, New Delhi, Aditya Prakashan, 1994, pp. 46, 69.
3. Speros Vryonis, Jr. *The Decline of Medieval Hellenism and the Islamization of Asia Minor, 11th Through 15th Century*, 1971, Berkeley: University of California Press, pp. 174–175.
4. Vasiliki Papoulia. 'The impact of devshirme on Greek society' in *East Central European society and war in the prerevolutionary eighteenth century*. Gunther E. Rothenberg, B. K. Kirilov and Peter F. Sugar, editors. Boulder : Social Science Monographs ; New York : Distributed by Columbia University Press, 1982, pp. 555–556.
5. Thomas Ricks. 'Slaves and Slave Trading in Shi'i Iran, AD 1500–1900', *Journal of Asian and African Studies*, 2001, Vol. 36, pp. 407–418.
6. Ricks, 'Slaves and Slave Trading in Shi'i Iran', pp. 411–412.
7. Clement Huart. 'Le droit de la guerre' *Revue du monde musulman*, 1907, p. 337. English translation by Michael J. Miller.
8. John Ralph Willis. "Jihad and the ideology of enslavement", in *Slaves and slavery in Muslim Africa— vol. 1. Islam and the ideology of enslavement*, London, England; Totowa, N.J.: Frank Cass, 1985, pp. 17–18; 4.
9. Winston Churchill. *The River War, Vol. II*, London: Longmans, Green & Co., 1899, pp. 248–50.
10. John Eibner. 'My career redeeming slaves', *Middle East Quarterly*, December, 1999, Vol. 4, Number 4, <http://www.meforum.org/article/449> . Eibner notes:
...based on the pattern of slave raiding over the past fifteen years and the observations of Western and Arab travelers in southern Darfur and Kordofan, conservatively puts the number of chattel slaves close to or over 100,000. There are many more in state-owned concentration camps, euphemistically called "peace camps" by the government of Sudan, and in militant Qur'anic schools, where boys train to become mujahidun (warriors of jihad).
11. John Ralph Willis. *Slaves and slavery in Muslim Africa*, Preface, p. vii.
12. This controversial topic is discussed here: Philip D. Curtin, Roger Antsey, J.E. Inikori. *The Journal of African History*, 1976, Vol. 17, pp. 595–627.
13. John Ralph Willis. *Slaves and slavery in Muslim Africa*, Preface, p. x.
14. John Wright. 'The Mediterranean Middle Passage: The Nineteenth Century Slave Trade Between Tripoli and the Levant', *The Journal of North African Studies*, 1996, Vol. 1, p. 44.
15. Vryonis, *The Decline of Medieval Hellenism*, p.175, note 245.
16. Bar Hebraeus. *The chronography of Gregory Abul Faraj, the son of Aaron, the Hebrew physician, commonly known as Bar Hebraeus; being the first part of his political history of the world, translated from the Syriac by Ernest A. Wallis Budge*, Oxford University Press, 1932, Vol. 1, pp. 268–273; *Michael the Syrian, Chronique de Michel le Syrien, Patriarche Jacobite d'Antioche (1166–1199)*, translated by J–B Chabot, 1895, Vol. 3, p. 331.
17. Michael the Syrian, *Chronique*, Vol. 3, p. 331.
18. Vryonis, *The Decline of Medieval Hellenism*, p.175, note 245.
19. Michael the Syrian, *Chronique*, Vol. 3, p. 369.
20. Michael the Syrian, *Chronique*, Vol. 3, pp. 401–402; Bar Hebraeus, *The Chronography*, Vol. 1, p. 321.
21. Vryonis, *The Decline of Medieval Hellenism*, p.175, note 245.
22. M–M Alexandrescu–Dersca Bulgaru. 'Le role des esclaves en Roumanie turque au XVe siecle' *Byzantinische Forschungen*, vol. 11, 1987, p. 15.
23. Alexandrescu–Dersca Bulgaru, 'Le role des esclaves en Roumanie turque au XVe siecle', pp. 16–17.
24. Alan Fisher 'Muscovy and the Black Sea Slave Trade', *Canadian American Slavic Studies*, 1972, Vol. 6, pp. 575–594.
25. Fisher 'Muscovy and the Black Sea Slave Trade', p. 579, note 17.
26. Fisher 'Muscovy and the Black Sea Slave Trade', pp. 580–582.
27. Fisher 'Muscovy and the Black Sea Slave Trade', pp. 582–583.
28. Reuben Levy, *The Social Structure of Islam*, Cambridge University Press, 1957, p. 88.
29. Ricks, 'Slaves and Slave Trading in Shi'i Iran', p. 408.
30. Ehud Toledano. *Slavery and Abolition in the Ottoman Middle East*, Seattle: University of Washington Press, 1998, p. 53.
31. Ricks, 'Slaves and Slave Trading in Shi'i Iran', p. 415.
32. Murray Gordon. *Slavery in the Arab World*, New York: New Amsterdam, 1989, p. 232.
33. Gordon. *Slavery in the Arab World*, p. 234.
33. <http://59.334.18.097plusf87:RQqljii569218397413Kf>
34. Gordon. *Slavery in the Arab World*, Preface, second page (pages not numbered).
35. Eibner, 'My career redeeming slaves'.
36. Jan Hogendorn. 'The Hideous Trade. Economic Aspects of the 'Manufacture' and Sale of Eunuchs', *Paideuma*, 1999, Vol. 45, p. 143, especially, note 25.
37. Hogendorn. 'The Hideous Trade', p. 137.
38. Ehud Toledano. 'The Imperial Eunuchs of Istanbul: From Africa to the Heart of Islam', *Middle Eastern Studies*, 1984, Vol. 20, pp. 379–390.
39. Toledano. 'The Imperial Eunuchs of Istanbul', pp. 380–381.
40. Hogendorn. 'The Hideous Trade', p. 138.
41. David Ayalon. 'On the Eunuchs in Islam', *Jerusalem Studies in Arabic and Islam*, 1979, Vol. 1, pp. 69–70.
42. Hogendorn. 'The Hideous Trade', p. 139, note 5.
43. Hogendorn. 'The Hideous Trade', p. 139.
44. Hogendorn. 'The Hideous Trade', pp. 143, 145–146.

1.9 Hindu Kush, the largest Genocides in the history of man

By Shrinandan Vyas

All the Encyclopedias and National Geographic agree that Hindu Kush region is a place of Hindu genocide (similar to Dakau and Auschwitz). All the references are given for your convenience.

Abstract

All Standard reference books agree that the name 'Hindu Kush' of the mountain range in Eastern Afghanistan means 'Hindu Slaughter' or 'Hindu Killer'. History also reveals that until 1000 A.D. the area of Hindu Kush was a full part of Hindu cradle. More likely, the mountain range was deliberately named as 'Hindu Slaughter' by the Moslem conquerors, as a lesson to the future generations of Indians. However Indians in general and Hindus in particular are completely oblivious to this tragic genocide. This article also looks into the reasons behind this ignorance.

21 References - (Mainly Encyclopedia Britannica & other reference books, National Geographic Magazines and standard history books).

Introduction

The Hindu Kush is a mountain system nearly 1000 miles long and 200 miles wide, running northeast to southwest, and dividing the Amu Darya River Valley and Indus River Valley. It stretches from the Pamir Plateau near Gilgit, to Iran. The Hindu Kush ranges mainly run through Afghanistan and Pakistan. It has over two dozen summits of more than 23,000 ft in height. Below the snowy peaks the mountains of Hindu Kush appear bare, stony and poor in vegetation. Historically, the passes across the Hindu Kush have been of great military significance, providing access to the northern plains of India. The Khyber Pass constitutes an important strategic gateway and offers a comparatively easy route to the plains of Punjab. Most foreign invaders, starting from Alexander the Great in 327 BC, to Timur Lane in 1398 AD, and from Mahmud of Ghazni, in 1001 AD, to Nader Shah in 1739 AD attacked Hindustan via the Khyber Pass and other passes in the Hindu Kush (1,2,3). The Greek chroniclers of Alexander the Great called Hindu Kush as Parapamisos or Paropanisos (4). The Hindu name of the Hindu Kush mountains was 'Paariyaatra Parvat'(5).

Early history of Hindu Kush region (up to 1000 AD)

History of Hindu Kush and Punjab shows that two major kingdoms of Gandhaar & Vaahic Pradesh (Balkh of Bactria) had their borders extending far beyond the Hindu Kush. Legend has it that the kingdom of Gandhaar was established by Taksha, grandson of Bharat of Ayodhya (6). Gandhaar's borders extended from Takshashila to Tashkent (corruption of 'Taksha Khand') in the present day Uzbekistan. In the later period, Mahabharat relates Gaandhaari as a princess of Gandhaar and her brother, Shakuni as a prince and later as Gandhaar's ruler.

In the well documented history, Emperor Chandragupt Maurya took charge of Vaahic Pradesh around 325 BC and then took over Magadh. Emperor Ashok's stone tablets with inscriptions in Greek and Aramaic are still found at Qandahar (corruption of Gandhaar?) and Laghman in eastern Afganistan(3). One such stone tablet, is shown in the PBS TV series 'Legacy with Mark Woods' in episode 3 titled 'India: The Spiritual Empire'. After the

fall of Mauryan Empire, Gandhaar was ruled by Greeks. However some of these Greek rulers had converted to Buddhism, such as Menander, known to Indian historians as Milinda, while some other Greeks became followers of Vishnav sects (Hinduism)(7). Recent excavations in Bactria have revealed a golden hoard which has among other things a figurine of a Greek goddess with a Hindu mark on its forehead (Bindi) showing the confluence of Hindu-Greek art (8). Later Shaka and Kushaan ruled Gandhaar and Vaahic Pradesh. Kushaan emperor Kanishka's empire stretched from Mathura to the Aral Sea (beyond the present day Uzbekistan, Tajikistan, and Kyrgystan)(9).

Kanishka was a Buddhist and under Kushaan influence Buddhism flourished in Gandhaar. Two giant sandstone Buddhas carved into the cliffs of Bamian (west of Kabul) date from the Kushan period. The larger Buddha (although defaced in later centuries by Moslem invaders) is about 175 ft tall (10,11). The Kushan empire declined by 450 AD. The Chinese traveller Hsuan-Tsang (Xuan-zang) travelled thru the region in 7 th century AD and visited many Buddhist religious centers (3) including Hadda, Ghazni, Qonduz, Bamian (3,10,11), Shotorak and Bagram. From the 5 th thru 9 th century AD Persian Sasanians and Hephthalites ruled Gandhaar. During their rule Gandhaar region was again influenced by Hinduism. The Hindu kings (Shahiya) were concentrated in the Kabul and Ghazni areas. The last Hindu Shahiya king of Kabul, Bhimapal was killed in 1026 AD. The heroic efforts of the Hindu Shahiya Kings to defend the northwestern gates of India against the invaders are described by even al-Biruni, the court historian of Mahmud of Ghazni (12). Some excavated sites of the period include a major Hindu Shahiya temple north of Kabul and a chapel that contains both Buddhist and Hindu images, indicating that there was a mingling of two religions (3).

Islamic invasions on Afghanistan started in 642 AD, but over the next several centuries their effect was marginal and lasted only a short time after each raid. Cities surrendered only to rise in revolt and the hastily converted returned to their old religion (Hinduism or Buddhism) once the Moslem armies had passed (3). **THUS TILL THE YEAR 1000 AD AFGHANISTAN WAS A FULL PART OF HINDU CRADLE.**

Hindu Kush and the Hindu Genocides

Now Afghanistan is a Moslem country. Logically, this means either one or more of the following must have happened:

- a. original residents of Hindu Kush converted to Islam, or
- b. they were slaughtered and the conquerors took over, or
- c. they were driven out.

Encyclopedia Britannica (3) already informs us above about the resistance to conversion and frequent revolt against to the Moslem conqueror's rule from 8 th thru 11 th Century AD. The name 'Hindu Kush' itself tells us about the fate of the original residents of Gandhaar and Vaahic Pradesh during the later period of Moslem conquests, because HINDU KUSH in Persian MEANS HINDU SLAUGHTER (13) (as per Koenraad Elst in his book 'Ayodhya and After'). Let us look into what other standard references say about Hindu Kush.

Persian-English dictionary (14) indicates that the word 'Kush' is derived from the verb Kushtar - to slaughter or carnage. Kush is probably also related to the verb Koshtan meaning to kill. In Urdu, the word Khud-kushi means act of killing oneself (khud - self, Kushi- act of killing). Encyclopedia Americana comments on the Hindu Kush as follows:

The name Hindu Kush means literally 'Kills the Hindu', a reminder of the days when (Hindu) SLAVES from Indian subcontinent died in harsh Afgan mountains while being transported to Moslem courts of Central Asia (15). The National Geographic Article 'West of Khyber Pass' informs that 'Generations of raiders brought captive Hindus past these peaks of perpetual snow. Such bitter journeys gave the range its name Hindu Kush - "Killer of Hindus"'(10). The World Book Encyclopedia informs that the name Kush, .. means Death ..(16). While Encyclopedia Britannica says 'The name Hindu Kush first appears in 1333 AD in the writings of Ibn Battutah, the medieval Berber traveller, who said the name meant 'Hindu Killer', a meaning still given by Afgan mountain dwellers who are traditional enemies of Indian plainsmen (i.e. Hindus)(2). However, later the Encyclopedia Britannica gives a negationist twist by adding that 'more likely the name is a corruption of Hindu-Koh meaning Hindu mountains'. This is unlikely, since the term Koh is used in its proper, uncorrupted form for the western portion of Hindu Kush, viz. Koh-i-Baba, for the region Swat Kohistan, and in the names of the three peaks of this range, viz. Koh-i-Langer, Koh-i-Bandakor, and Koh-i-Mondi. Thus to say that corruption of term Koh to Kush occurred only in case of Hindu Kush is merely an effort to fit in a deviant observation to a theory already proposed. In science, a theory is rejected if it does not agree with the observations, and not the other way around. Hence the latter negationist statement in the Encyclopedia Britannica must be rejected.

IT IS SIGNIFICANT THAT ONE OF THE FEW PLACE NAMES ON EARTH THAT REMINDS US NOT OF THE VICTORY OF THE WINNERS BUT RATHER THE SLAUGHTER OF THE LOSERS, CONCERNS A GENOCIDE OF HINDUS BY THE MOSLEMS (13).

Ibn Battūta (famous traveller and explorer) c. 1334, wrote:

"Another reason for our halt was fear of the snow, for on the road there is a mountain called Hindūkūsh, which means "Slayer of Indians," because the slave boys and girls who are brought from India die there in large numbers as a result of the extreme cold and the quantity of snow."

Unlike the Jewish holocaust, the exact toll of the Hindu genocide suggested by the name Hindu Kush is not available. However the number is easily likely to be in millions. Few known historical figures can be used to justify this estimate. Encyclopedia Britannica informs that in December 1398 AD, Timur Lane ordered the execution of at least 50,000 captives before the battle for Delhi, .. and after the battle those inhabitants (of Delhi) not killed were removed (as slaves) (17), while other reference says that the number of captives butchered by Timur Lane's army was about 100,000 (18). Later on Encyclopedia Britannica mentions that the Mughal emperor Akbar 'ordered the massacre of about 30,000 (captured) Rajput Hindus on February 24, 1568 AD, after the battle for Chitod' (19). Another reference indicates that this massacre of 30,000 Hindu peasants at Chitod is recorded by Abul Fazl, Akbar's court historian himself (20). These two 'one day' massacres are sufficient to provide a reference point for estimating the scale of Hindu genocide. The Afghan historian Khondamir records that during one of the many repeated invasions on the city of Herat in western Afghanistan, 1,500,000 residents perished (11). Scholar K.S. Lal[22] analysed Indian demography for the period between 1000-1525. Lal estimates that the numbers of Hindus who perished as a result of these campaigns was approximately 80 million.

Since some of the Moslem conquerors took Indian plainsmen as slaves, a question comes: whatever happened to this slave population? The startling answer comes from New York Times (May-June 1993 issues). The Gypsies are wandering peoples in Europe. They have been persecuted in almost every country. Nazis killed 300,000 gypsies in the gas chambers. These Gypsies have been wandering around Central Asia and Europe since

around the 12th Century AD. Until now their country of origin could not be identified. Also their Language has had very little in common with the other European languages. Recent studies however show that their language is similar to Punjabi and to a lesser degree to Sanskrit. Thus the Gypsies most likely originated from the greater Punjab. This is also backed up by DNA comparisons. The time frame of Gypsy wanderings also coincides early Islamic conquests hence most likely their ancestors were driven out of their homes in Punjab and taken as slaves over the Hindu Kush.

The theory of Gypsy origins in India was first proposed over two centuries ago. It is only recently that linguistic and other proofs have been verified. Even the Gypsy leadership now accepts India as the country of their origin.

Thus it is evident that the mountain range was named as Hindu Kush as a reminder to the future Hindu generations of the slaughter and slavery of Hindus during the Moslem conquests.

Deliberate ignorance about Hindu Kush

If the name Hindu Kush relates such a horrible genocide of Hindus, why are Hindus ignorant about it? and why the Government of India does not teach them about Hindu Kush? The history and geography curriculum's in Indian Schools barely even mention Hindu Kush. The horrors of the Jewish holocaust are taught not only in schools in Israel, Europe and USA, but also in Germany; because both Germany and Israel consider the Jewish holocaust a 'dark chapter' in the history. The Indian Government instead of giving details of this 'dark chapter' in Indian history is busy in whitewash of Moslem atrocities and the Hindu holocaust. In 1982, the National Council of Educational Research and Training issued a directive for the rewriting of school texts. Among other things it stipulated that: 'Characterisation of the medieval period as a time of conflict between Hindus and Moslems is forbidden'. Thus denial of history or Negationism has become India's official 'educational' policy (21).

Often the official governmental historians brush aside questions such as those that Hindu Kush raises. They argue that the British version is the product of their 'divide and rule' policy' hence their version is not necessarily true. However it must be remembered that the earliest reference of the name Hindu Kush and its literal meaning 'Hindu Killer' comes from Ibn Battutah in 1333 AD, and at that time British were nowhere on the Indian scene. Secondly, if the name indeed was a misnomer then the Afghans should have protested against such a barbaric name and the last 660 plus years should have been adequate for a change of name to a more 'civil' name. There has been no effort for such a change of name by the Afghans. On the contrary, when the Islamic fundamentalist regime of the Mujahadeens came to power in 1992, tens of thousands of Hindus and Sikhs from Kabul were literally deported, became refugees, and had to pay steep ransom to enter into Pakistan without a visa.

In the last 46 years the Indian Government also has not even once demanded that the Afghan Government change such an insulting and barbaric name. But in July 1993, the Government of India asked the visiting Jerusalem Symphony Orchestra to change its name because the word Jerusalem in its name is offensive to Moslem Fundamentalists.

Conclusion

It is evident that Hindus from ancient India's (Hindustan's) border states such as Gandhaar and Vaahic Pradesh were massacred or taken as slaves by the Moslem invaders who named the region as Hindu Kush (or Hindu Slaughter, or Hindu Killer) to teach a lesson to the future Hindu generations of India. Unfortunately Hindus are not

aware of this tragic history. The Indian government does not want the true history of Hindu Moslem conflicts during the medieval ages to be taught in schools. This policy of negationism is the cause behind the ignorance of Hindus about the Hindu Kush and the Hindu genocide.

Comments

Although in this article Hindu Kush has been referred to as Hindu slaughter, it is obvious that it was really a Hindu and Buddhist slaughter. Since prior to Moslem invasions influence of Buddhism in Gandhaar and Vaahic Pradesh was considerable. Also as the huge 175 ft stone Buddhas of Bamian show, Buddhists were idol worshipers par excellence. Hence for Moslem invaders the Buddhists idol worshipers were equally deserving of punishment. It is also likely that Buddhism was considered an integral part of the Hindu pantheon and hence was not identified separately.

This article barely scratches the surface of the Hindu genocide, the true depth of which is as yet unknown.

Sources:

1. Encyclopedia Britannica, 15 th Ed, Vol.5, p.935, 1987
2. Encyclopedia Britannica, 15 th Ed, Vol.14, pp.238-240, 1987
3. Encyclopedia Britannica, 15 th Ed, Vol.13, pp.35-36, 1987
4. The Invasion of India by Alexander the Great (as described by Arrian, Q.Curtius, Diodoros, Plutarch & Justin), By J.W.McCrindle, Methuen & Co., London, p.38, 1969
5. Six Glorious Epochs of Indian History, by Veer Savarkar, Savarkar Prakashan, Bombay, 2nd Ed, p.206, 1985
6. Chanakya - a TV series by Doordarshan, India
7. Encyclopedia Britannica, 15 th Ed, Vol.21, pp.36-41, 1987
8. V.Sarianidi, National Geographic Magazine, Vol.177, No.3, p.57, March 1990
9. Hammond Historical Atlas of the World, pp. H4 & H10, 1993
10. W.O.Douglas, National Geographic Magazine, vol.114, No.1, pp.13-23, July 1958
11. T.J.Abercrombie, National Geographic Magazine, Vol.134, No.3, pp.318-325, Sept.1968
12. An Advanced History of India, by R.C.Majumdar, H.C.Raychaudhuri, K.Datta, 2nd Ed., MacMillan and Co, London, pp.182-83, 1965
13. Ayodhya and After, By Koenraad Elst, Voice of India Publication, p.278, 1991
14. A Practical Dictionary of the Persian Language, by J.A.Boyle, Luzac & Co., p.129, 1949
15. Encyclopedia Americana, Vol.14, p.206, 1993
16. <http://48.200.16.356subf37:ILmeavp123271869374ШИ>
17. The World Book Encyclopedia, Vol.19, p.237, 1990
18. Encyclopedia Britannica, 15 th Ed, Vol.21, pp. 54-55, 1987
19. An Advanced History of India, by R.C.Majumdar, H.C.Raychaudhuri, K.Datta, 2nd Ed., MacMillan and Co, London, pp.336-37, 1965
20. Encyclopedia Britannica, 15 th Ed, Vol.21, p.65, 1987
21. The Cambridge History of India, Vol.IV - The Mughul Period, by W.Haig & R.Burn, S.Chand & Co., New Delhi, pp. 98-99, 1963
22. Negationism in India, by Koenraad Elst, Voice of India Publ, 2nd Ed, pp.57-58, 1993
23. <http://www.jihadwatch.org/dhimmiwatch/archives/015024.php>

http://www.hindunet.org/hindu_history/modern/hindu_kush.html

1.10 Additional info - Hindu Kush

The Muslim conquests, down to the 16th century, were for the Hindus a pure struggle of life and death. Entire cities were burnt down and the populations massacred, with hundreds of thousands killed in every campaign, and similar numbers deported as slaves. Every new invader made (often literally) his hills of Hindu skulls. Thus, the conquest of Afghanistan in the year 1000 was followed by the annihilation of the Hindu population; the region is still called the *Hindu Kush*, i.e. *Hindu slaughter*.

The Bahmani sultans (1347-1480) in central India made it a rule to kill 100,000 captives in a single day, and many more on other occasions. The conquest of the Vijayanagar Empire in 1564 left the capital plus large areas of Karnataka depopulated. And so on.

As a contribution to research on the quantity of the Islamic crimes against humanity, we may mention Prof. K.S. Lal's estimates about the population figures in medieval India (Growth of Muslim Population in India). According to his calculations, the Indian (subcontinent) population decreased by 80 million between 1000 (conquest of Afghanistan) and 1525 (end of Delhi Sultanate).

But the Indian Pagans were far too numerous and never fully surrendered. What some call the *Muslim period* in Indian history, was in reality a continuous war of occupiers against resisters, in which the Muslim rulers were finally defeated in the 18th century. Against these rebellious Pagans the Muslim rulers preferred to avoid total confrontation, and to accept the compromise which the (in India dominant) Hanifite school of Islamic law made possible. Alone among the four Islamic law schools, the school of Hanifa gave Muslim rulers the right not to offer the Pagans the sole choice between death and conversion, but to allow them toleration as zimmi (protected ones) living under 20 humiliating conditions, and to collect the jizya (toleration tax) from them. Normally the zimmi status was only open to Jews and Christians (and even that concession was condemned by jurists of the Hanbalite school like Ibn Taymiya), which explains why these communities have survived in Muslim countries while most other religions have not. On these conditions some of the higher Hindu castes could be found willing to collaborate, so that a more or less stable polity could be set up. Even then, the collaboration of the Rajputs with the Moghul rulers, or of the Kayasthas with the Nawab dynasty, one became a smooth arrangement when enlightened rulers like Akbar (whom orthodox Muslims consider an apostate) cancelled these humiliating conditions and the jizya tax.

It is because of Hanifite law that many Muslim rulers in India considered themselves exempted from the duty to continue the genocide on the Hindus (self-exemption for which they were persistently reprimanded by their mullahs). Moreover, the Turkish and Afghan invaders also fought each other, so they often had to ally themselves with accursed unbelievers against fellow Muslims. After the conquests, Islamic occupation gradually lost its character of a total campaign to destroy the Pagans. Many Muslim rulers preferred to enjoy the revenue from stable and prosperous kingdoms, and were content to extract the jizya tax, and to limit their conversion effort to material incentives and support to the missionary campaigns of sufis and mullahs (in fact, for less zealous rulers, the jizya was an incentive to discourage conversions, as these would mean a loss of revenue). The Moghul dynasty (from 1526 onwards) in effect limited its ambition to enjoying the zimmi system, similar to the treatment of Jews and Christians in the Ottoman empire. Muslim violence would thenceforth be limited to some slave-taking, crushing the numerous rebellions, destruction of temples and killing or humiliation of Brahmins, and occasional acts of terror by small bands of raiders. A left-over from this period is the North-Indian custom of celebrating weddings at midnight: this was a safety measure against the Islamic sport of bride-catching.

The last jihad against the Hindus before the full establishment of British rule was waged by Tipu Sultan at the end of the 18th century. In the rebellion of 1857, the near-defunct

Muslim dynasties (Moghuls, Nawabs) tried to curry favour with their Hindu subjects and neighbours, in order to launch a joint effort to re-establish their rule. For instance, the Nawab promised to give the Hindus the Ram Janmabhoomi/Babri Masjid site back, in an effort to quench their anti-Muslim animosity and redirect their attention towards the new common enemy from Britain. This is the only instance in modern history when Muslims offered concessions to the Hindus; after that, all the concessions made for the sake of communal harmony were a one-way traffic from Hindu to Muslim.

Other sources to study:

1. Islam's Indian slave trade Part I in Islam's genocidal slavery

I would strongly advise everyone to read this article which further documents brilliantly the millennium long Islamic genocide in India.

http://islammonitor.org/index.php?option=com_content&view=article&id=3312:islams-indian-slave-trade-part-i-in-islams-genocidal-slavery-&catid=170&Itemid=67

2. How 'Gandhara' became 'Kandahar':

<http://rajivmalhotra.sulekha.com/blog/post/2001/12/how-gandhara-became-kandahar.htm>

1.11 What the Crusades Were Really Like

"A people not willing to embrace its past, ultimately forfeits its future."

Alexander Von Humboldt

The Crusaders were not unprovoked aggressors, greedy marauders or medieval colonialists, as portrayed in some history books.

In fact, Thomas Madden, chair of St. Louis University's history department and author of "*A Concise History of the Crusades*," contests that the Crusaders were a defensive force that did not profit from their ventures by earthly riches or land.

In fact, Thomas Madden, chair of St. Louis University's history department and author of "*A Concise History of the Crusades*," contests that the Crusaders were defensive wars, not wars of conquest.

Madden shared the most popular myths about the Crusades and the modern findings that prove them wrong.

Q: What are some common misconceptions about the Crusades? the Crusaders?

Madden: The following are some of the most common myths and why they are wrong.

Myth 1: The Crusades were wars of unprovoked aggression against a peaceful Muslim world.

This is as wrong as wrong can be. From the time of Mohammed, Muslims had sought to conquer the Christian world. They did a pretty good job of it, too. After a few centuries of steady conquests, Muslim armies had taken all of North Africa, the Middle East, Asia Minor and most of Spain.

In other words, by the end of the 11th century the forces of Islam had captured two-thirds of the Christian world. Palestine, the home of Jesus Christ; Egypt, the birthplace of Christian monasticism; Asia Minor, where St. Paul planted the seeds of the first Christian communities -- these were not the periphery of Christianity but it's very core.

And the Muslim empires were not finished yet. They continued to press westward toward Constantinople, ultimately passing it and entering Europe itself. As far as unprovoked aggression goes, it was all on the Muslim side. At some point what was left of the Christian world would have to defend itself or simply succumb to Islamic conquest.

Myth 2: The Crusaders wore crosses, but they were really only interested in capturing booty and land. Their pious platitudes were just a cover for rapacious greed.

Historians used to believe that a rise in Europe's population led to a crisis of too many noble "second sons," those who were trained in chivalric warfare but who had no feudal lands to inherit. The Crusades, therefore, were seen as a safety valve, sending these belligerent men far from Europe where they could carve out lands for themselves at someone else's expense.

Modern scholarship, assisted by the advent of computer databases, has exploded this myth. We now know that it was the "first sons" of Europe that answered the Pope's call in 1095, as well as in subsequent Crusades.

Crusading was an enormously expensive operation. Lords were forced to sell off or mortgage their lands to gather the necessary funds. Most were also not interested in an overseas kingdom. Much like a soldier today, the medieval Crusader was proud to do his duty but longed to return home.

After the spectacular successes of the First Crusade, with Jerusalem and much of Palestine in Crusader hands, virtually all of the Crusaders went home. Only a tiny handful remained behind to consolidate and govern the newly won territories.

Booty was also scarce. In fact, although Crusaders no doubt dreamed of vast wealth in opulent Eastern cities, virtually none of them ever even recouped their expenses. But money and land were not the reasons that they went on Crusade in the first place. They went to atone for their sins and to win salvation by doing good works in a faraway land.

They underwent such expense and hardship because they believed that by coming to the aid of their Christian brothers and sisters in the East they were storing up treasure where rust and moth cannot corrupt.

They were very mindful of Christ's exhortation that he who will not take up his cross is not worthy of Christ. They also remembered that "Greater love hath no man than this, than to lay down his life for his friends."

Myth 3: When the Crusaders captured Jerusalem in 1099 they massacred every man, woman and child in the city until the streets ran ankle deep with the blood.

This is a favourite used to demonstrate the evil nature of the Crusades.

It is certainly true that many people in Jerusalem were killed after the Crusaders captured the city. But this must be understood in historical context.

The accepted moral standard in all pre-modern European and Asian civilisations was that a city that resisted capture and was taken by force belonged to the victorious forces. That included not just the buildings and goods, but the people as well. That is why every city or fortress had to weigh carefully whether it could hold out against besiegers. If not, it was wise to negotiate terms of surrender.

In the case of Jerusalem, the defenders had resisted right up to the end. They calculated that the formidable walls of the city would keep the Crusaders at bay until a relief force from Egypt could arrive. They were wrong. When the city fell, therefore, it was put to the sack. Many were killed, yet many others were ransomed or allowed to go free.

By modern standards this may seem brutal. Yet a medieval knight would point out that many more innocent men, women and children are killed in modern bombing warfare than could possibly be put to the sword in one or two days. It is worth noting that in those cities occupied by Muslims and that surrendered to the Crusaders the people were left unmolested, retained their property and were allowed to worship freely.

As for those streets of blood, no historian accepts them as anything other than a literary convention. Jerusalem is a big town. The amount of blood necessary to fill the streets to a continuous and running three-inch depth would require many more people than lived in the region, let alone the city.

Myth 4: The Crusades were just medieval colonialism dressed up in religious finery.

It is important to remember that in the Middle Ages the West was not a powerful, dominant culture venturing into a primitive or backward region. It was the Muslim East that was powerful, wealthy and opulent. Europe was the Third World.

The Crusader States, founded in the wake of the First Crusade, were not new plantations of Catholics in a Muslim world akin to the British colonisation of America. Catholic presence in the Crusader states was always tiny, easily less than 10% of the population. These were the rulers and magistrates, as well as Italian merchants and members of the military orders. The overwhelming majority of the population in the Crusader states was Muslim.

They were not colonies, therefore, in the sense of plantations or even factories, as in the case of India. They were outposts. The ultimate purpose of the Crusader states was to defend the holy places in Palestine, especially Jerusalem, and to provide a safe environment for Christian pilgrims to visit those places.

There was no mother country with which the Crusader states had an economic relationship, nor did Europeans economically benefit from them. Quite the contrary, the expense of Crusades to maintain the Latin East was a serious drain on European resources. As an outpost, the Crusader states kept a military focus.

While the Muslims warred against each other the Crusader states were safe, but once the Muslims united, they were able to dismantle the strongholds, capture the cities, and in 1291 expel the Christians completely.

Myth 5: The Crusades were also waged against the Jews.

No pope ever called a Crusade against Jews. During the First Crusade a large band of riffraff, not associated with the main army, descended on the towns of the Rhineland and decided to rob and kill the Jews they found there. In part this was pure greed. In part it also stemmed from the incorrect belief that the Jews, as the crucifiers of Christ, were legitimate targets of the war.

Pope Urban II and subsequent popes strongly condemned these attacks on Jews. Local bishops and other clergy and laity attempted to defend the Jews, although with limited success. Similarly, during the opening phase of the Second Crusade a group of renegades killed many Jews in Germany before St. Bernard was able to catch up to them and put a stop to it.

These misfires of the movement were an unfortunate by-product of Crusade enthusiasm, but they were not the purpose of the Crusades. To use a modern analogy, during the Second World War some American soldiers committed crimes while overseas. They were arrested and punished for those crimes. But the purpose of the Second World War was not to commit crimes.

1.12 The Crusades and today

Present-day tension between the West and Muslim countries has very little to do with the Crusades, says a historian.

In fact, Thomas Madden, chair of the history department at St. Louis University and author of "*A Concise History of the Crusades*," contends that, from the Muslim perspective, the Crusades were not worth noticing. That changed when 19th-century revisionists started to recast the Crusades as imperialist wars, he says.

Q: Do you think the struggle between the West and the Muslim world is in any way a reaction to the Crusades?

Madden: No. That may seem a strange answer when you consider that Osama bin Laden and other Islamists often refer to Americans as "Crusaders."

It's important to remember, though, that during the Middle Ages -- really up until the late 16th century -- the superpower of the Western world was Islam. Muslim civilisations were wealthy, sophisticated and immensely powerful. The West was backward and relatively weak.

It is noteworthy that with the exception of the First Crusade virtually every other Crusade launched by the West -- and there were hundreds -- was unsuccessful.

The Crusades may have slowed Muslim expansionism, but they in no way stopped it. Muslim empires would continue to expand into Christian territories, conquering the Balkans, much of Eastern Europe and even the greatest Christian city in the world, Constantinople.

From the Muslim perspective the Crusades were not worth noticing. If you had asked someone in the Muslim world about the Crusades in the 18th century he or she would have known nothing about them. They were important to Europeans because they were massive efforts that failed.

However, during the 19th century, when Europeans began conquering and colonising Middle Eastern countries, many historians -- in particular nationalist or royalist French writers -- began to cast the Crusades as Europe's first attempt to bring the fruits of Western civilisation to the backward Muslim world. In other words, the Crusades were morphed into imperialist wars.

Those histories were taught in the colonial schools and became the accepted view in the Middle East and beyond. In the 20th century, imperialism was discredited. Islamists and some Arab nationalists then seized on the colonial construction of the Crusades, claiming that the West was responsible for their woes because they had preyed on Muslims ever since the Crusades.

It is often said that people in the Middle East have long memories; it is true. But in the case of the Crusades, they have a recovered memory: one that was manufactured for them by their European conquerors.

Q: Are there any similarities between the Crusades and the war against terror today?

Madden: Aside from the fact that soldiers in both wars want to serve something greater than themselves that they hold dear and long to return home when it is over, I see no other similarities between the medieval Crusades and the war against terror. Motivations in a post-Enlightenment secular society are very different from those in the medieval world.

Q: How are the Crusades different from Islam's Jihad, or other wars of religion?

Madden: The fundamental purpose of Jihad is to expand the Dar al-Islam -- the Abode of Islam -- into the Dar al-Harb -- the Abode of War. In other words, jihad is expansionistic, seeking to conquer non-Muslims and place them under Muslim rule.

Those who are then conquered are given a simple choice. For those who are not People of the Book -- in other words, those who are not Christians or Jews -- the choice is convert to Islam or die. For those who are People of the Book, the choice is submit to Muslim rule, accept dhimmitude and Islamic law or die. The expansion of Islam, therefore, was directly linked to the military successes of Jihad.

The Crusades were something very different. From its beginnings Christianity has always forbidden coerced conversion of any kind. Conversion by the sword, therefore, was not possible for Christianity. Unlike Jihad, the purpose of the Crusades was neither to expand the Christian world nor to expand Christianity through forced conversions.

Instead, the Crusades were a direct and belated response to centuries of Muslim conquests of Christian lands. The immediate event that sparked the First Crusade was the Turkish conquest of all of Asia Minor in the 1070s through 1090s.

The First Crusade was called by Pope Urban II in 1095 in response to an urgent plea for help from the Byzantine emperor in Constantinople. Urban called the knights of Christendom to come to the aid of their Eastern brethren.

Asia Minor was Christian. ...

Part of the Byzantine Empire, it had been first evangelised by St. Paul. St. Peter had been the first bishop of Antioch. Paul had written his famous letter to the Christians of Ephesus. The creed of the Church was penned at Nicaea. All of these were in Asia Minor.

The Byzantine emperor begged the Christians of the West for aid in recapturing these lands and expelling the Turks. The Crusades were that aid. Their purpose, though, was not only to re-conquer Asia Minor but also to recapture other formerly Christian lands that had been lost due to Islamic Jihads. This included the Holy Land.

In a nutshell, therefore, the major difference between Crusade and Jihad is that the former was a defence against the latter. The entire history of the Eastern Crusades is one of response to Muslim aggression.

Q: Did the Crusaders have any success at converting the Muslim world?

Madden: I would note that in the 13th century some Franciscans began a mission in the Middle East to seek to convert Muslims. It was not successful, largely because Islamic law makes conversion to another religion a capital offence.

This attempt, though, was separate from the Crusades, which had nothing at all to do with conversion. And it was by peaceful persuasion.

Q: How did Christendom rationalise its defeat in the Crusades? Were the Crusaders defeated?

Madden: The same way that the Jews of the Old Testament did. God withheld victory from his people because they were sinful. This led to a large-scale piety movement in Europe, whose aim was to purify Christian society in every way.

Q: Did Pope John Paul II in fact apologise for the Crusades? Has he actually condemned them?

Madden: This is an odd myth, given that the Pope was so roundly criticised for failing to apologise directly for the Crusades when he asked forgiveness from all those that Christians had unjustly harmed.

Our Holy Father did not condemn them, nor did he apologise for them. He apologised for the sins of Catholics. More recently it was widely reported that John Paul II apologised to the patriarch of Constantinople for the Crusader conquest of Constantinople in 1204.

In truth, though, the Pope only reiterated what his predecessor Pope Innocent III [1198-1216] said. That too was a tragic misfire that Innocent had done everything he could to avoid. He apologised for the sins of Catholics who took part in the Crusades. Yet he did not apologise for the Crusades themselves or even the outcome of the Crusades.

Source:

<http://www.catholic.org/featured/headline.php?ID=1417>
<http://www.zenit.org/article-11237?l=english>

1.13 The factors that led to the Crusades

By Lúcio Mascarenhas (formerly "Prakash"), Bombay, India

It is a historical fact that Islam began as an overtly militant and aggressive cult in its fundamental and inherent nature of being & remains so. It was Islam that attacked, without any provocation whatsoever, its Christian neighbours, overran their lands and committed genocide and enslaved the remainder.

Let me list the Christian lands and peoples that Islam encroached upon: Roman Arabia, Arabia Felix, Israel (Philistia), Jordan, Iraq (Chaldea, Assyria and Hadiabene), Syria (Aram), Lebanon (Phoenicia), Turkey (Bythina, Cappadocia, Cilicia, Galatia, Caria, Pontus, etc.), Thrace, Egypt (the Copts), Sudan (Nubia and Axum), Libya (Lybia, Cyrenaica and Tripolitania), Tunisia (Roman Africa Nova et Vetera & Carthage), Algeria (Roman Africa, Numidia & Gætulia), Morocco (Roman Mauretania), Spain (Roman Iberia), Portugal (Lusitania), South France (***"The Muslims were at last defeated by Charles Martel at Tours, in 732, just one hundred years from the death of Mohammed"***), Southern Italy (Sicilia & Neapolitania), Malta (Melita), Armenia (Hayastan), Georgia, Azerbaijan (Roman Albania, not modern Albania which was Roman Illyrica), etc.

The many nations of Iran were Zoroastrian, together with the Kurds, Sogdians (Tadjiks) and the peoples of Ariana. Some Zoroastrians escaped the Islamic Conquest and Genocide to India, becoming the Parsees. Today, even the fanatically Muslim Iranians look back with horror and loathing on, and denounce that original Conquest and Genocide as the grossest barbarism (Naqba).

The Turks, as the many Indophile nations of Central Asia and West India (Pakistan & Afghanistan), were Buddhists and Hindus. Again, we have that same story of unprovoked aggression, imperialism, colonialism, barbarism. The Turks were forced to become Muslim, and then went on to perpetrate those same misanthropies on others.

All these lands were subject to Islamic Imperialism, Genocide, Ethnic Cleansing, Colonialism and Demographic Re-Engineering in order to create Islamic majorities.

The Islamic Conquests - really a Naqba (Catastrophe), if there was ever one, began with the foundation of Islam in the sixth century. On the contrary, the Crusades began only in the eleventh century, under Pope Urban II (Otto von Lagery), who, at Clermont, France, in November, 1095 inaugurated it, proclaiming it 'God's Will.'

The Crusades, were thus, chronologically latter to the Islamic Aggressions and in response to them, and specifically to immediate and gross provocations.

The immediate provocation for the first crusade was the Islamic mistreatment of Christian pilgrims to Israel — to Jerusalem and the sites connected to Lord Jesus Christ, together with attempts to deny Christians access to these sites.

Source:

<http://www.geocities.com/prakashjm45/crusades.html>

1.14 Modern Aftermath of the Crusades

By Robert Spencer

The Crusades may be causing more devastation today than they ever did in the three centuries when most of them were fought, according to one expert.

Robert Spencer, author of "Politically Incorrect Guide to Islam (and the Crusades)", claims that the damage is not in terms of lives lost and property destroyed but is a more subtle destruction.

Spencer shared how false ideas about the Crusades are being used by extremists to foment hostility to the West today.

Q: The Crusades are often portrayed as a militarily offensive venture. Were they?

Spencer: No. Pope Urban II, who called for the First Crusade at the Council of Clermont in 1095, was calling for a defensive action — one that was long overdue.

As he explained, he was calling the Crusade because without any defensive action, "the faithful of God will be much more widely attacked" by the Turks and other Muslim forces.

"For, as most of you have heard, the Turks and Arabs have attacked them and have conquered the territory of Romania [the Greek empire] as far west as the shore of the Mediterranean and the Hellespont, which is called the Arm of St. George," Pope Urban II said in his address. "They have occupied more and more of the lands of those Christians, and have overcome them in seven battles. They have killed and captured many, and have destroyed the churches and devastated the empire.

"If you permit them to continue thus for a while with impunity, the faithful of God will be much more widely attacked by them."

He was right. Jihad warfare had from the seventh century to the time of Pope Urban conquered and Islamised what had been over half of Christendom. There had been no response from the Christian world until the Crusades.

Q: What are some popular misconceptions about the Crusades?

Spencer: One of the most common is the idea that the Crusades were an unprovoked attack by Europe against the Islamic world.

In fact, the conquest of Jerusalem in 638 stood at the beginning of centuries of Muslim aggression, and Christians in the Holy Land faced an escalating spiral of persecution.

Early in the eighth century 60 Christian pilgrims from Amorium were crucified; around the same time the Muslim governor of Caesarea seized a group of pilgrims from Iconium and had them all executed as spies — except for a small number who converted to Islam.

Muslims also demanded money from pilgrims, threatening to ransack the Church of the Resurrection if they didn't pay.

Later in the eighth century, a Muslim ruler banned displays of the cross in Jerusalem. He also increased the tax on non-Muslims — jizya — that Christians had to pay and forbade Christians to engage in religious instruction of their own children and fellow believers.

Early in the ninth century the persecutions grew so severe that large numbers of

Christians fled for Constantinople and other Christian cities. In 937, Muslims went on a rampage in Jerusalem on Palm Sunday, plundering and destroying the Church of Calvary and the Church of the Resurrection.

In 1004, the Fatimid Caliph, Abu 'Ali al-Mansur al-Hakim, ordered the destruction of churches, the burning of crosses, and the seizure of church property. Over the next 10 years 30,000 churches were destroyed, and untold numbers of Christians converted to Islam simply to save their lives.

In 1009, al-Hakim commanded that the Church of the Holy Sepulcher in Jerusalem be destroyed, along with several other churches, including the Church of the Resurrection. In 1056, the Muslims expelled 300 Christians from Jerusalem and forbade European Christians from entering the rebuilt Church of the Holy Sepulcher.

When the Seljuk Turks took Jerusalem in 1077, the Seljuk Emir Atsiz bin Uwaq promised not to harm the inhabitants, but once his men had entered the city, they murdered 3,000 people.

Another common misconception is that the Crusades were fought to convert Muslims to Christianity by force. Glaringly absent from every report about Pope Urban's address at the Council of Claremont is any command to the Crusaders to convert Muslims.

It was not until over 100 years after the First Crusade, in the 13th century, that European Christians made any organised attempt to convert Muslims to Christianity, when the Franciscans began missionary work among Muslims in lands held by the Crusaders. This effort was largely unsuccessful.

Yet another misconception revolves around the Crusaders' bloody sack of Jerusalem in 1099.

The capture of Jerusalem is often portrayed as unique in medieval history, and as the cause of Muslim mistrust of the West. It might be more accurate to say that it was the start of a millennium of anti-Western grievance mongering and propaganda.

The Crusaders' sack of Jerusalem was a heinous crime - particularly in light of the religious and moral principles they professed to uphold. However, by the military standards of the day, it was not actually anything out of the ordinary.

In those days, it was a generally accepted principle of warfare that if a city under siege resisted capture, it could be sacked, and while if it did not resist, mercy would be shown. It is a matter of record that Muslim armies frequently behaved in exactly the same way when entering a conquered city.

This is not to excuse the Crusaders' conduct by pointing to similar actions. One atrocity does not excuse another. But it does illustrate that the Crusaders' behaviour in Jerusalem was consistent with that of other armies of the period — since all states subscribed to the same notions of siege and resistance.

In 1148, Muslim commander Nur ed-Din did not hesitate to order the killing of every Christian in Aleppo. In 1268, when the Jihad forces of the Mamluk Sultan Baybars took Antioch from the Crusaders, Baybars was annoyed to find that the Crusader ruler had already left the city — so he wrote to him bragging of his massacres of Christians.

Most notorious of all may be the Jihadists' entry into Constantinople on May 29, 1453, when they, according to historian Steven Runciman, "slew everyone that they met in the streets, men, women and children without discrimination."

Finally, it is a misconception that Pope John Paul II apologised for the Crusades. He did not.

There is no doubt that the belief that Pope John Paul II apologised for the Crusades is widespread. When he died, the Washington Post reminded its readers "during his long reign, Pope John Paul II apologised to Muslims for the Crusades, to Jews for anti-Semitism, to Orthodox Christians for the sacking of Constantinople, to Italians for the Vatican's associations with the Mafia and to scientists for the persecution of Galileo."

However, John Paul II never actually apologised for the Crusades. The closest he came was on March 12, 2000, the "Day of Pardon."

During his homily he said: "We cannot fail to recognise the infidelities to the Gospel committed by some of our brethren, especially during the second millennium. Let us ask pardon for the divisions which have occurred among Christians, for the violence some have used in the service of the truth and for the distrustful and hostile attitudes sometimes taken toward the followers of other religions."

This is hardly a clear apology for the Crusades.

Q: How have Muslims perceived the Crusades then and now?

Spencer: For centuries, when the Ottoman Empire was thriving, the Crusades were not a pre-occupation of the Islamic world. They were, after all, failures from a Western standpoint.

However, with the decline of the military power and unity of the Islamic world, and the concomitant rise of the West, they have become a focal point of Muslim resentment of perceived Western encroachment and exploitation.

Q: To what extent are false ideas about the Crusades being used by extremists to foment hostility to the West today?

Spencer: The Crusades may be causing more devastation today than they ever did in the three centuries when most of them were fought — but not in terms of lives lost and property destroyed. Today's is a more subtle destruction.

The Crusades have become a cardinal sin not only of the Catholic Church but also of the Western world in general.

They are Exhibit A for the case that the current strife between the Muslim world and Western, post-Christian civilisation is ultimately the responsibility of the West, which has provoked, exploited, and brutalised Muslims ever since the first Frankish warriors entered Jerusalem.

Osama bin Laden has spoken of his organisation not as al-Qaida but of a "World Islamic Front for Jihad Against Jews and Crusaders," and called in a fatwa for "Jihad against Jews and Crusaders."

Such usage is widespread. On November 8, 2002 — shortly before the beginning of the Iraqi war that toppled Saddam Hussein — Sheikh Bakr Abed Al-Razzaq Al-Samaraai preached in Baghdad's Mother of All Battles mosque about "this difficult hour in which the Islamic nation [is] experiencing, an hour in which it faces the challenge of [forces] of disbelief of infidels, Jews, crusaders, Americans and Britons."

Similarly, when Islamic Jihadists bombed the U.S. Consulate in Jeddah, Saudi Arabia, in December 2004, they explained that the attack was part of larger plan to strike back at

"Crusaders": "This operation comes as part of several operations that are organised and planned by al-Qaida as part of the battle against the crusaders and the Jews, as well as part of the plan to force the unbelievers to leave the Arabian Peninsula," the Jihadists said in a statement.

They also said that Jihad warriors "managed to enter one of the crusaders' big castles in the Arabian Peninsula and managed to enter the American consulate in Jeddah, in which they control and run the country."

In the face of this, Westerners should not be embarrassed by the Crusades. It's time to say, "enough," and teach our children to take pride in their own heritage.

They should know that they have a culture and a history of which they can and should be grateful; that they are not the children and grandchildren of oppressors and villains; and that their homes and families are worth defending against those who want to take them away, and are willing to kill to do so.

Source:

<http://www.ewtn.com/library/CHISTORY/zaftcrus.HTM>

1.15 History of the Islamic Ottoman Turkish Empire I (1299-1876)

1. Rise of the Ottomans

By the year 1300, a weakened Byzantium had seen most of its Anatolian provinces lost among some ten Seljuk Ghazi principalities.

Ertugrul's son Osman becomes Bey in 1281, by 1299 declared himself a sovereign from the Seljuk's, establishing the Ottoman Empire.

- Flag of the Ottoman Empire 1299-1453
- Flag of the Osmanli 1326-1517
- Capture of Bursa – 1326
- Battle of Plocnik – 1386
- Ottoman Battle Flag
- Battle of Kosovo - 1389
- Constantinople - 1452
- Capture of Constantinople - 1453
- Ottoman Flag – 1453 – 1844
- Battle of Chaldiran - 1514
- Sultan Suleiman I – 1520-1566
- Battle of Mohacs - 1526
- Battle of Preveza – 1538
- Battle of Lepanto - 1571
- Capture of Yerevan – 1635
- Capture of Baghdad – 1639
- Second siege of Vienna - 1683

The Ottoman society comprised of many ethnicities: Greek, Armenian, Assyrian, Arab, Jew, Kurd, Persian, Georgian, Bulgarian, Serb, Hungarian, Croatian, Romanian, Albanian,

etc. The Turk was the ruling and superior element to all others. The Sultanate, government sectors, viziers, pashas, judges, and the military establishment had to be Turkish and Muslim. The Janissary Corps was the backbone of the Military. Its members were forcefully taken from Christian families, converted and raised as Turks. The Ottoman traditionally got their wives and harem girls from Christian families.

Non-Muslims had to wear a different colour, they could not ride horses, nor carry weapons. Christians and Jews were called "Kafir" or "Gyavur" (Infidel). The Law of the land was Islamic Sharia Law.

2. Era of Stagnation (1683-1808)

After its defeat in 1683, the Ottoman Empire went through a stagnation period, during which many territories ceded. New forces appeared on the horizon, Austria, Britain, France and Russia. Peter the Great of Russia defeats the Ottomans in 1723 and takes Dorbent, Baku, and North Atrpatakan (Azerbaijan) from the Turks and Persians. In the decisive Russian-Turkish War of 1768-1774, Catherine II brings Southern Ukraine, the Northern Caucasus, and Crimea within the orbit of the Russian Empire. The Turks try to regain the lost territories, but a united Russian-Austrian force defeats them in 1791 and 1792, and takes Transylvania, Bessarabia and Hungary.

Napoleon invades Egypt in 1798 and takes control over Christian Malta and Christian Palestine. However, Britain fights France defending the Ottomans. Napoleon withdraws, the Turks regain Egypt, and Britain is rewarded with Malta.

Following a short battle in 1807 with Britain, the enraged Janissaries depose Sultan Selim III for his cousin Mustafa IV. Mustafa is deposed after one year for his brother Mahmud II. Each Sultan subsequently murders his brother. The Ottomans lose more lands from their crumbling Empire. During the series of wars between 1806 and 1812, the Russians crush the Ottomans, who sign the Treaty of Bucharest. One day after the Treaty, Napoleon attacks Russia.

With the "Second Serbian Uprising" in 1815, Serbia gains independence from the Ottoman Empire with heroes like Karadorde Petrovic and Milos Obrenovic.

Influenced by the writings and murder of Greek author Rigas Feraios, The Greek War of Independence begins in 1821 and lasts for almost ten years. The Greek people struggle to rid themselves of Ottoman Turkish tyranny and win their recognised independence in 1832.

At the Battle of Navarino, the Sultan closes the Dardanelles for Russian ships and revokes the Akkerman Convention.

After the Russian-Persian and Russian-Turkish Wars of 1828-1829, the Ottomans recognise Russian sovereignty over Georgia and Eastern Armenia.

Starting in the 1830's, the Ottoman Empire became known as the "Sick man of Europe".

3. Three Reformist Sultans (1808-1876)

Despite the political and military fateful years, Sultan Mahmud II has the courage to introduce a series of fundamental reforms into the Ottoman Empire. His Vizier, Mustafa Pasha takes the initiative in resuming reforms but he is killed by the Janissaries. Mahmud abolishes the Janissary corps in 1826 and establishes a modern Ottoman Army, naming it Nizam-i Cedid, (New Order).

In 1831 Sultan Mahmud opens the first Government Hospital, and in 1833 introduces a wide series of reforms in legal, educational, scientific and other policies in an edict called "Tanzimat" (Reforms). Sultan Mahmud forbids the abuses of the governors and vakifs, killing of people at will by pashas and agas, and places legal and property arbitrations under state administration. He dies in 1839.

Sultan Abdulmejid continues his father's reforms by replacing the Islamic Sharia Law by a European model Civil Code and Banking system. He establishes the first modern universities and academies, abolishes some unfair taxes on non-Muslims, and brings various provisions for the better administration of the public service.

In 1854 Britain and France along with the Ottomans go to war against Russia in the Crimean Peninsula. The allied forces defeat Russia and impose heavy conditions in the Treaty of Paris, signed in 1856. At the closing of the Crimean War of 1856, Sultan Abdulmejid decrees the "Hatt-i Humayun" thus promising equality in education, government appointments, and administration of justice to all regardless of creed. The greatest change was the Ottoman State's acceptance of the notion of "minorities". Muslim government organisations (civil and military schools) begin to accept non-Muslim citizens. The official state language (in documentation) principle (Turkish) was broken, and the Empire becomes a multi-language system. Patriarchates begin to administer justice on the state level. Sultan Abdulmejid dies at the young age of 39 in 1861.

Sultan Abdulaziz continues his brother's reformist works. He authorises the Armenian National constitution in 1863, granting them rights in running educational, cultural, civic, social, charitable and religious matters. In 1871-76, Sultan Abdulaziz faces opposition from Islamic conservative and fanatic elements, demanding the return of the Sharia Law and the rule of Islam. His reformist Viziers, Fuad and Ali Pashas die in 1869 and 1871. The reaction from the conservatives was the rise of the liberal party, led by Midhat Pasha. As a result of the ensuing inner conflict, Sultan Abdulaziz was deposed and murdered in 1876.

After the 1870-71 French-German War, Nationalism was on the rise across Europe. It was fanning the feelings of independence among its subjects, even among Turks. The Empires in Europe were heading towards war.

The three reformist sultans, worked hard to gather all their subjects under the idea of "Ottomanism", in order to keep the falling Empire. They rejected the notion of "Turkishness", as historians E. Chelebi and I. M. D'Ohson testify. As a result of the Russian-Turkish wars and the rising local nationalism, the ruling Ottoman element began calling itself as the "Turk". Abdulmejid's son, Murad V rules for 93 days in 1876. He is deposed on the accusations of being mentally ill. He is placed under house arrest for the rest of his life, dying in 1904.

History of the Ottoman Turkish Empire II (1876-1909)

4. The Armenians in the Ottoman Empire

The Armenians in the Ottoman Empire were mainly living on their millennial ancestral homeland, called the "Eastern Six Vilayets" under the millet system. They were also populous in Cilicia and the major cities of Ottoman Turkey, where many rose to prominent positions in finance and business. In accordance to the dhimmi system, Armenians, as Christians and Jews, living under the Islamic laws, were guaranteed limited freedoms such as the right to worship but were, in effect, treated as second-class citizens. They were forbidden to carry weapons and to ride horses, their children were

subject to the Devshirmeh system (giving up boys to be forcefully converted to Muslims and raised as Turks), their houses could not overlook those of Muslims, and the ringing of church bells could not disturb Muslims. Testimony against Muslims by them was inadmissible in courts no matter the crime. Violating the dhimmi system, would result in punishment carried out by the authorities ranging from paying fines to the execution of the "offender".

In the nineteenth century, frustrations with these restrictions lead many of the minorities to protest for greater freedom. In 1839, the Ottomans implemented the Tanzimat reforms to help improve the situation, although they were mostly ineffective. When several ethnicities of the Balkans, frustrated with the prevailing conditions, had often revolted against Ottoman rule, Armenians remained dormant during these years, earning them the title of "millet-i sadika" or the "loyal millet."

In the mid-1860's to early 1870's under the reform laws of Sultan Abdulmejid, Armenians began to ask for better treatment from the Ottoman government, after amassing the signatures of peasants from eastern Anatolia. The Armenian Communal Council petitioned the government to relieve the situation of towns: Widespread forced land seizure, forced conversion of women and children, arson, protection extortion, rape and murder was common. Other problems were improprieties during tax collection, criminal behaviour by government officials and the refusal to accept Christians as witnesses in trial. Despite the set rules, local Turks, Kurds and other Muslims treated their Christian neighbours as before.

5. The Red Sultan (1876-1909)

At this crucial time, Abdulhamid II accede the throne, becoming the 34th Sultan. He was tyrannical, debauched, mistrustful and ruthless. He takes over a country with an empty treasury and banking defaults. While power being in the hands of Midhat Pasha and the "New Ottomans" (a progressive movement), Abdulhamid promises Midhat a constitution on the European model. He passes the first constitution of Ottoman Turkey in 1876 on the eve of an international conference on the question of reforms in the Balkans. By January 1877 and at the end of the conference, he removes Midhat Pasha as Grand Vizier and dissolves the Parliament. Midhat Pasha is exiled and murdered on his orders in 1884. Abdulhamid considers that the political structures of western norms are not applicable with the centuries old Ottoman political culture. To build his treasury, he imposes a heavy tax burden over his subjects, especially the Christians.

Bosnia revolts against the taxation in 1875 and Bulgaria follows in 1876 to become free from the Ottomans. The Turks ruthlessly massacre more than 12 000 men, women and children in Bulgaria, and thousands more all over the Balkans. The Treaty of Kucuk Kaynarca of 1774 gave Russia the right to interfere in Ottoman affairs to protect the Sultan's Christian subjects. The British Government defends the Ottoman actions, and a furious Russia declares war.

The war of 1877-78 takes place in the Balkans and on the Caucasus fronts. The Russians along with other volunteer ethnic armies deal the Ottomans a crushing defeat. Able generals from the Balkan and Armenian generals in the Tsar's Army like Mikhail Loris-Melikov and Ivan Lazarev among others bring victories to the Russian forces. In March of 1878 and under pressure from Britain, Russia enters into a settlement under the Treaty of San Stefano, in which the Ottoman Empire recognises the independence of Romania, Serbia, Montenegro, and autonomy of Bulgaria. Article 16 states that Russians would leave the Armenian provinces, once the Sultan implemented the improvements and reforms demanded by local requirements in the provinces inhabited by Armenians, and to guarantee their security from Kurds and Circassians. For commercial and political

interests in mind, Britain's Disraeli and the Austrians insist that a new treaty be drawn up in June of that year, at a congress of powers in Berlin.

At the Congress of Berlin, Romania, Serbia and Montenegro were recognised as independent. And autonomous Bulgaria was greatly reduced and the Austro-Hungarian Empire occupies Bosnia-Herzegovina. An Armenian delegation headed by Bishop Mkrtich Khrimian is sent with a formal request for implementation of the reforms for Armenians. Germany's Bismarck dismisses the delegation and refuses them a place on the agenda. Britain secretly agrees with the Ottoman Empire that it would militarily protect it from Russia and receives Cyprus in exchange. Disraeli reverses article 16 to 61, which returns two Armenian provinces with no Russians or Europeans to protect the Armenians. It leaves the same abusing Sultan as the "guarantor" of their security from Muslim continuing abuses.

After the Russo-Turkish War, the treatment of the more than 2,5 million Armenians by the Ottoman Government became an international issue. Despite the promises of reform by the Sublime Porte at the Congress of Berlin, the situation even grew worse. Not only Russia but the other European powers were to oversee the Armenian reforms. An angry Abdulhamid made sure that the conditions of the Armenians grew worse. Now it was dangerous to be identified as an Armenian across the Empire. As the Millet structure degraded and as a result of constant persecutions, Armenians begin to rethink their position in the world. In this analysis the Armenian subjects of the Empire influenced by the Armenian Diaspora and following the Balkan examples.

Years passed, and the masses simply yearned for reforms, dreaming only for a normal administration under Ottoman rule... "The mere mention of the word "reform" irritated him (Abdul Hamit), inciting his criminal instincts" writes historian Osman Nuri. Armenian small organisations started printing newsletters and bulletins to enlighten the Armenian public about their rights and ways to protect them. Later the first major organisation was the Armenakan Party in 1885, and the Huntchak Party in 1887. In 1890 the Armenian Revolutionary Federation (Dashnaksutyun) was formed in Tbilisi. Its members armed themselves into fedayee groups to protect the people from Ottoman oppression and massacres in the Armenian provinces. Armenians begin clamoring to obtain the reforms which were promised. They protest in 1892 and 1893 at Merzifon and Tokat and are met with violence and harsh methods. Abdulhamid declares that "Without Armenians there would be no Armenian problem"

In 1894, systematic pogroms swept over every district of Turkish Armenia. The wholesale slaughter of Armenians, forced conversion of villages, the looting and burning of hundreds of settlements, taking away their possessions. Sultan Abdulhamid prepared special attacking force from Kurds calling them "Hamidieh". Along with the Ottoman Army they attacked men women and children killing them without distinction. His First Secretary wrote in his memoirs about Abdulhamid that he decided to pursue a policy of severity and terror against the Armenians, and in order to succeed in this respect he elected the method of dealing them an economic blow. He ordered they absolutely avoid negotiating or discussing anything with the Armenians and inflict upon them a decisive strike to settle scores. More than 300 000 Armenians were massacred in 1894-1896. In Sasun the Armenians resisted the massacres. But they eventually succumbed to superior numbers. A group of Dashnak volunteers stormed the "Ottoman Bank" in 1896 in order to alarm the Europeans. Hamid had 6000 Istanbul Armenians massacred.

In 1897, Abdulhamid declared that the Armenian question was closed. All the Armenian revolutionaries had either been killed, or had escaped to Russia. The Ottoman government closed Armenian societies and restricted Armenian political movements. The formation of Armenian revolutionary groups began roughly around the end of the Russo-Turkish War of 1878 and intensified with the first introduction of Article 166 of the Ottoman Penal code, and the raid of Erzerum Cathedral. Article 166 was meant to control

the possession of arms, but it was used to target Armenians by restricting them to possess arms. Local Kurdish tribes were armed to attack the defenceless Armenian population.

ARF member's attempts to assassinate Abdulhamid in 1905, but he escapes death by luck. He eases the Armenian persecutions as a result.

The "Young Turk" revolution of 1908 reverses the suspension of the Ottoman parliament in 1878, marking the onset of the Second Constitutional Era. Armenians hail the revolution. Hamid restores the Constitution in July. In April 1909 he and Islamist forces attempt a counter coup. It fails to restore him, but more than 30 000 Armenians are massacred in Adana by revolting army units, religious students and clerics asking for Sharia law. Hamid is finally deposed in April 1909 after 33 years of tyrannical rule. His 65 years old brother Resat Mehmet becomes Sultan Mehmed V, a mere rubberstamping figurehead for the new government.

a. The Early Years (1923-1934)

With the Treaty of Lausanne, an estimated 200 000 Greeks were to remain in Turkey following the 1923 population exchange. The Armenians were reduced from 2,5 million to around 150 000 after the Genocide. Turkey declared that no Armenian was ever allowed to return of the people that escaped (now Republic of Armenia).

Mustafa Kemal becomes the republic's first president and subsequently introduces many radical reforms in political, social, legal, educational, and economic sectors. Kemal urges his fellow Turks to look and act like Europeans. On October 28, 1927 the first population census counted the population at approximately 13,6 million, with a 9% literacy rate. A new Turkish alphabet based on the Latin alphabet was accepted on November 1, 1928. After 10 months, Kurdish, Arabic and Persian languages were banned, replaced by only the Turkish language.

With the Liberal Republican Party, Jihadi groups joined the liberals. They were suppressed with widespread and bloody methods. The liberal party dissolved on 17 November 1930 and Turkey became a single party dictatorship until 1945.

The Kurds declared independence in 1927. By September 17 1930, the Turks suppressed the rebellion with 66 000 troop and 100 planes. The most important Kurdish rebellion in modern Turkey was in 1937-1938, based around the Kizilbash heartland of Dersim. The Turkish Army mobilised 50 000 troops to suppress the rebellion. Turkish forces claimed at least 40 000 Dersimlis, who were deported and massacred following this defeat. Southeast Anatolia was put under martial law and was subject to military occupation. In addition to destruction of the villages and massive deportations, Turkish Government encouraged Albanians and Assyrians to settle in the Kurdish area to change the ethnic composition of the region.

During WW2, Turkey imposed Jizya, an increased property tax on all Christians and Jews in the country (Greeks and Armenians). The Jizya was even imposed on the Dönme (converts to Islam). Those who did not pay were condemned to forced labour in the quarries of Askale, near Erzurum. They did this to "turkify" the economy. With the draconian Varlik Vergisi in 1942; anticipating the fall of Stalingrad, Turkey concentrates troops on the Caucasian border. Turkey quarantines all Christian men between 18-45 years old, and orders 3 large crematory ovens from Germany... The Turkish officer committee with the leadership of General Cemil Cahit Toydemir – invited by Hitler, visits the Eastern front and English Channel coasts on 25 June – 7 July 1943. Gen. H. Erkilet, Gen. Ali Fuat Erden and Hitler at Wolfsschanze discussed various strategies.

With Germany nearing defeat, Turkey declares war on the side of the Allies on February 23, 1945 as a ceremonial gesture, to become a charter member of the United Nations in 1945.

b. The West and NATO (1945-1954)

After the war the Soviet Union attempts to annul the Treaty of Kars with Turkey and return parts of Northwestern Armenia. These efforts are halted by intervention from Winston Churchill and Harry S. Truman.

The close relationship with the United States begins with the Second Cairo Conference in December 4-6, 1943 and the agreement of July 12, 1947 which implements the Truman Doctrine. After 1945, in light of the Soviet domination over Eastern Europe, the US supports Greece and Turkey with economic and military aid to prevent their falling into the Soviet sphere. The act grant Turkey more than 100 million USD in aid.

On June 25, 1950 the Korean War starts. Despite being criticised inside Turkey, the Army along with other 16 nations goes to war against North Korea. Turkey participates in this campaign in order to gain membership in NATO, which Turkey joins in 1952.

c. Pogroms, Coup and deportations of Christians (1955-1961)

On September 6 and 7, 1955, a pogrom directed primarily at Istanbul's 100 000 strong Greek minority takes place. Jews and Armenians living in the city and their businesses were also targeted in the pogrom. A Turkish mob, most of which was trucked into the city in advance, assaulted Istanbul's Greek community for nine hours. Shovels, pickaxes, crowbars, ramming rods and petrol was used. 4000 private taxis were requisitioned to transport the perpetrators. Dozens of Greeks (two Orthodox priests) and at least one Armenian died during the pogrom as a result of beatings and arsons. Thirty-two Greeks were severely wounded. Many Greek women were raped, a number of men were forcibly circumcised by the mob. 4348 Greek-owned businesses, 110 hotels, 27 pharmacies, 23 schools, 21 factories, 73 churches and over a thousand Greek-owned homes were badly damaged or destroyed. The mob chanted "Death to the Gavour", "Massacre the Greek traitors", "**Down with Europe** [*My emphasis*]"

The riot died down by midnight with the intervention of the Turkish Army and martial law was declared. Eyewitnesses reported, however, that army officers and policemen had earlier participated in the rampages and in many cases urged the rioters on.

After a clash over the "separation of religion and state" between Inonu's Republican People's Party and his opponents, president Celal Bayar and prime minister Adnan Menderes; and due to the level of influence the Islamists had gained in the nation, on May 27, 1960 General Cemal Gursel led a military coup d'état removing President Celal Bayar and Prime Minister Adnan Menderes. They were charged with high treason, misuse of public funds and abrogation of the constitution.

According to Zorlu's lawyer at the Yassiada trial, a mob of 300 000 was marshaled in a radius of 40 miles (60 km) around the city for the pogrom. Menderes and two others were sentenced to death by hanging.

Deported with two day's notice, the Greek community of Istanbul shrunk from 100 000 persons in 1955 to only 48 000 in 1965. Armenians and Jews were also thrown out of Turkey.

d. Divide and Conquer (1961-1974)

The census of 1960 in Cyprus showed that Greek Cypriots comprised 77%, Turkish Cypriots 18%, and 5% were other ethnicities.

Cyprus was declared an independent state on August 16, 1960 with Archbishop Makarios as President and a constitution with equal Turkish governance, (Turkish vice-president) despite their minority status on the Island. Turkish Cypriots saw themselves as Turks living in Cyprus rather than Turkish Cypriots. They developed the concept of Taksim, the partitioning of Cyprus into a Greek Cypriot-controlled region, and a Turkish Cypriot-controlled region.

The Zurich and London Agreements, drawn among Greece, Turkey and the UK became complex and atypical, granting the Turkish Cypriot community political rights disproportionate their numbers and containing permanent restrictions on Enosis and Taksim alike.

In 1965, the Justice Party of Suleiman Demirel won an absolute majority, which it increased in 1969, with an increasing polarisation between the Justice Party on the right and the Republican People's Party of Ismet Inonu and Bulent Ecevit on the left.

In 1969, Alparslan Turkes, a member of the Turkish branch of NATO's stay-behind army, known as Gladio, founded the right wing Nationalist Movement Party (MHP), whose youth organisations became known as the Grey Wolves (Fascists).

On March 12, 1971 the Turkish military threatens intervention, forcing the Demirel government to resign. The 1971 coup leads to mounting violence between ultranationalists and communists in the cities of Turkey, killing more than 5000 at the hands of MIT.

In July 1974, dissatisfaction among right-wing Greek nationalists favoring Enosis (unification) with Greece precipitated a coup d'état against President Makarios. The coup was sponsored by the military government of Greece and led by Cypriot officers.

On 20 July 1974, Turkey launches an air- and sea-based invasion of Cyprus. Large numbers of Greek Cypriots lost their lives in the areas overrun by Turkish forces, and 170 000 Greek Cypriots were evicted from their homes and forced to move to the south. Cities are attacked with napalms. Large numbers of Greek Cypriots lost their lives. Churches are destroyed, desecrated or converted into hotels. Turkey captures thousands of soldiers and executes them. As of today, there are 1534 Greek Cypriots unaccounted for, as well as over 150 000 Greek Cypriot refugees displaced persons.

Turkey initiates a campaign and ships more than 150 000 Turks from mainland Turkey to Cyprus for the purpose of settlement. The Turkish Cypriots proclaim a separate state, the Turkish Republic of Northern Cyprus (TRNC), under the leadership of Rauf Denktas, on November 15, 1983, recognised only by Turkey.

Turkey now occupies 37% of Cyprus even though there were only 18% Turks in Cyprus in 1960. Half of the Capital Nicosia remains occupied.

e. Minorities Disallowed (1975-1990)

Kurdish nationalism began resurgence in the 1970's when Turkey was racked with Left-right clashes. The Marxist PKK was formed demanding a Kurdish state, led by its chairman, Abdullah Ocalan. Kurds counted almost 20% of Turkey's population. The Turkish Army violently suppressed the Kurds, killing thousands of Kurdish civilians

indiscriminately. After the Kahramanmaras massacre of Alevis in 1978, martial law was declared.

On September 12, 1980 another coup d'état, headed by General Kenan Evren, Chief of the General Staff, was successful.

The World being silent regarding the Armenian Genocide, Marxist-Leninist groups like ASALA, target Turkish diplomats, to bring Turkey to terms of its bloody past and to raise awareness to the denied Armenian issues. In 1983 the Justice Commandoes of the Arm. Genocide attempts to take over the Turkish Embassy in Lisbon but it fails. The five men avoid capture by blowing the building after releasing the staff.

Kurdish music, dance and culture gets banned in Turkey between 1983 and 1991, it was forbidden to publicise, publish and/or broadcast in any language other than Turkish. Armenians in Turkey become target to daily harassment and persecution.

The Turkish Army commits acts of extreme violence in order to fight "terrorism". Hundreds of thousands of men, women and children are killed or systematically tortured in prisons from the early 80's to the early 90's. However, in 1990-91 the World was to change forever.

f. Fall of the Iron Curtain (1991-1994)

With the collapse of the Soviet Union in 1991, Armenia breaks free. The Armenians in Karabakh who wanted to unite with Armenia for decades, decide to protest their case. Even before its independence, Soviet Azerbaijan (94% Muslim where majority are Turkic) suppresses the voice of the Armenians with street pogroms and massacres in Sumgait in 1988 and Baku in 1990. Faced with brutal Azeri methods to quell the Armenians, Karabakh Armenians vote to secede from Azerbaijan, to which the later responds with full scale war in 1992, backed and aided by Turkey. The Armenians fight back as they remember the past. Even with food and power shortage in Armenia and Azerbaijan often bombing civilian targets with military aeroplanes. Karabakh takes the offensive and scores vital victories in late 1992 and 1993. Azerbaijan recruits Afghan, Chechen and other voluntary Mujahedeen.

In light of the Armenian successive victories, Turkey's Prime Minister Tansu Ciller threatens to invade Armenia with thousands of Turkish troops. Russia warns Turkey and counters their movements to ward them off. Aliiev tries with every method to win the lost territories, to no avail. After six years of fighting an exhausted Azerbaijan finally asks for a cease fire in 1994. Turkey and Azerbaijan subsequently blockade Armenia. In addition, Azerbaijan takes "revenge" by wiping out the Armenian Cemetery in Julfa, Naxichevan and desecrating Armenian churches.

Current situation of Armenia (2008, source CIA): Armenia is primarily a source country for women and girls trafficked to the UAE and Turkey for the purpose of commercial sexual exploitation; Armenian men and women are trafficked to Turkey and Russia for the purpose of forced labour. My comment: The EU and the US have showed little or no will at all to support Armenia in any way. They remain to be the last survivors of Byzantine Christianity, largely ignored by the Christian world.

g. European Union? (1995-2007)

On 14 April, 1987, Turkey submitted its application for formal membership into the European Community. It was refused, citing Turkey's economic and political situation, poor relations with Greece and the conflict with Cyprus.

The 1995 elections brought a short-lived coalition between Yilmaz and Ciller at the helm. In 1997, the military, committed the fourth coup by sending a memorandum to Erbakan government requesting that he resign and banning his religious Party.

A series of economic shocks led to new elections in 2002, bringing into power the religious Justice and Development Party of Recep Tayyip Erdogan, who introduced a series of new reforms.

Status as of today:

Turkey restricts religious rights of Christians and converts. Their murder is indirectly encouraged. Millions of Kurds, Assyrians, Alevies, Yezidies and other minorities have no status. Women in Turkey are often subjected to "honour" killings and employment discrimination.

Turkey occupies 37% of Cyprus with half of its Capital Nicosia and refuses to recognise the Republic of Cyprus.

Search Turkish history and compare...

What is expected from a country that murders its intellectuals and journalists for uttering a word... "Genocide"... Not forgetting to honour those same murderers.... What is expected from a country that restricts speech, jails and fines its authors, pressmen, thinkers for daring to think and "insulting Turkishness", and regards all minorities as "Turks"... With centuries of unrepentant murders and violations, is Turkey fit to enter the European Union? Or is it still "The sick man of Europe".

All EU and national level parliamentarians who supports EU membership for Turkey should travel to the Turkish countryside, wear a sweater with a cross, and see how long before it takes before they are beaten or gets murdered. Then he will bear witness himself how "tolerant" Turkish Muslims are...

Current situation in Turkey will continue in another section.

Sources: Written by Hay Broutnsk,

1. Are the Turks European?: B. Munnich
2. The Decline and Fall of the Ottoman Empire: Alan Palmer
3. Abdul Hamid II, The Red Sultan: K. Yazejian
4. A History of the Armenian People, Volume II: George A. Bournoutian
5. Haykakan Harts Encyclopedia
6. Seljuk, Tatar, Turkish History: P. Yeghyaian
7. The Burning Tigris: Peter Balakian
8. The Turks in World History: Findley, Carter Vaughn
9. Turkey: A Modern History, Revised Edition: Erik J. Zürcher

History of the Ottoman Turkish Empire I (1299-1876)

<http://www.youtube.com/watch?v=dj4OkZgxTPE&feature=related>

History of the Ottoman Turkish Empire II (1876-1909)

<http://www.youtube.com/watch?v=95ff3hxzOHo>

History of the Turkish Republic – 1923-2007

http://www.youtube.com/watch?v=76vor_I5RMk

History of the Turkish Republic 1961-2007

<http://www.youtube.com/watch?v=eVGxIECjJMs>

1.16 Jus Primae Noctis - Institutionalised rape of Christians under the Ottoman Empire

Jus primae noctis or *droit du seigneur* is the right to sleep with a nubile (young and sexually attractive) servant before turning her over to her servant husband (the right by which a landlord may sleep first night with the bride of a newly married serf), although the custom may be avoided by the payment of a fine.

This law was imposed by the Ottoman rulers and widely practiced in countries under the Ottoman rule (provinces of the Ottoman Empire were: Greece, Bulgaria, Serbia, Bosnia) until the very end of the 19th century.

The picture, painted by Paja Jovanovic, shows a bride preparing for the wedding night. The first night she is going to spend with her landlord. Landlords (beg, aga) were usually Turks but there were many local nobles converting to Islam to save their privileges when the region was controlled by the Ottoman Empire.

* The right was used on a bride of a feudal dependant or servant, any dhimmi. They were Christians and the right wasn't used on Muslim brides.

On the day before her wedding the young Christian bride will be visited by a representative of the landlord (beg, aga). The representative is usually accompanied by a file of soldiers. The representative takes the bride to the house of the landlord for a day and a night, raping her repeatedly, and returns her to her home at dawn on the wedding day.

An interesting detail on the picture is that all women on the picture are dressed in traditional oriental (Turkish style) clothing. Under the Ottomans textile styles has influenced by Islamic tradition. Women on the picture except the one on the right have their hair covered with a shawl (also called shamija or mahram) according to the Islamic custom.

Women wore "dimije" (it looks like baggy trousers) of thin, often gold-woven, silk brocade, emphasising the female figure.

1998 Yugoslav postal authorities issued 4 stamps dedicated to national customs. The motif on the stamp of 6,00 din. value is the painting "Dressing/Adornment of the Bride" by Paja Jovanovic

Source:

http://www.geocities.com/Eureka/Park/7313/primae_noctis_jus.htm

Jus Primae Noctis - Details

The historical acceptance of rape may have influenced the incidence of rape in the wars of the last decade in former Yugoslavia. However, there were other historical factors which tended to promote its use and lend themselves to propaganda promoting it, in Bosnia-Herzegovina as well as Serbia. Under Ottoman rule, within which much of Serbia gained autonomy in 1830 but Bosnia-Herzegovina was to remain until 1878, there had been a disadvantaged position of Serbs and Croats.

The use or misuse of Serb and other Christian minority women by Muslim men, especially Ottoman officials and the landlord class, has been a major source of grievance. Polygamy

and concubinage by Muslim men, especially Ottoman officials and landlords or begs, resulted in wives and concubines being taken from the Christian population as well as the Muslim one, and often abandoned when no longer wanted. The insecurity of these women resulted in their having relatively few children, and resorting to abortion, infanticide and other birth control measures (Stoianovich 1994, p. 159).

The other 'misuse' was through 'first night' arrangements, more generally known as the *jus primae noctis* (right to the first night) or *droit de seigneur* (the right of the feudal lord), by which the janissary in charge of an estate or the local landlord had the right to the virginity of all brides among Serb and other serfs. These arrangements are a folk memory rather than attested by literary sources. They were mentioned by Bosnian Serb former politician Biljana Plavsic in 1993 in an attempt to assert that rape was the war strategy of the Muslims and Croats. She noted that it was 'quite normal of Muslim notables to enjoy the *jus primae noctis* with Christian women' during the Ottoman period (Cohen 1998, p. 222). Levinsohn (1994, p. 274) quotes Belgrade publisher Petar Zdzadic as saying that there was a tradition that the Serb serf or peasant would have to walk around the house with his shoes in his hands when an Ottoman official or landlord came to the house to have intercourse with his wife. In the early phase of Ottoman occupation the janissaries, who were in control of major agricultural estates as well as forming the core of the military, were forbidden to marry until they retired from the service of the empire. First night and similar arrangements may have been important substitutes for marriage.

However, the landlords became an increasingly hereditary class. In Bosnia some three hundred years ago they had to persuade Serbs to come from Montenegro to work their land as serfs or sharecroppers. Muslim peasants had chosen increasingly to purchase their own land and work it as smallholders rather than be serfs, but this option was not open to Christians in Bosnia-Herzegovina until after 1830. Hence first night and concubinage arrangements for Serb and Croat kmet or serf women would have become less common in the later phases of Ottoman rule. Also, the landlord class accounted for no more than 5 to 10 per cent of the Muslim population – there were 4000 families who had land redistributed from them in the 1919 land reform. Hence only a small proportion of the Muslim population had access to Orthodox and Christian women where this was common, certainly not the majority. In Kosovo the majority of Serbs were in effect serfs working the land for Albanian clan leaders as well as Turkish landlords prior to the first Balkan War of 1912, but it is not known what impact this had on access to women.

Arrangements whereby one community, or at least its privileged class, has access to the women of another are controversial. A Greek film shown on the Australian Special Broadcasting Service several years ago depicted such a use of Greek brides and wives who were serfs on an agricultural estate by the Ottoman landlord and a visiting relative of his a couple of decades before Greek independence in 1830. A film of the 1950s shown on SBS also indicates this, but the 'misuse' did not extend to breaking the prospective bride's virginity, and the land tenancy was seen as a form of dowry given in exchange for the sexual services rendered.

Source:

http://auspsa.anu.edu.au/proceedings/2001/Politics_and_Gender_Papers.htm

1.17 Jihadi Genocides of Christians in the Ottoman Empire and Turkey - The Armenian, Greek and Assyrian Genocides

On 7 June 2006 Stephen Pound, member of the British House of Commons linked the case of the Ottoman Greeks with the Armenians and Assyrians claiming that "3.5 million of the historic Christian population of Assyrians, Armenians and Greeks then living in the Ottoman empire had been murdered, starved to death or slaughtered - or exiled by 1923."

I will be covering these three Genocides briefly.

Armenian Genocide - 1915-1918 - 1,500,000+ Deaths

The genocide of the Armenians was a jihad. No rayas (non-Muslim dhimmis under Ottoman rule) took part in it. Despite the disapproval of many Muslim Turks and Arabs, and their refusal to collaborate in the crime, these massacres were perpetrated solely by Muslims and they alone profited from the booty: the victims' property, houses, and lands granted to the muhajirun, and the allocation to them of women and child slaves. The elimination of male children over the age of twelve was in accordance with the commandments of the Jihad and conformed to the age fixed for the payment of the Jizya. The four stages of the liquidation- deportation, enslavement, forced conversion, and massacre- reproduced the historic conditions of the Jihad carried out in the dar-al-harb from the seventh century on. Chronicles from a variety of sources, by Muslim authors in particular, give detailed descriptions of the organised massacres or deportation of captives, whose sufferings in forced marches behind the armies paralleled the Armenian experience in the twentieth century. As in all Jihads the mosques were a central rallying point where the mullahs and government officials agitated for Jihad. The activity of mass murders, systematic rapes, plunders and enslavements therefore naturally peaked each Friday where everyone felt fully motivated after the weekly pep talk.

The Armenian Genocide, the first genocide of the 20th Century, occurred when two million Armenians living in Turkey were eliminated from their historic homeland through forced deportations and massacres.

For three thousand years, a thriving Armenian community had existed inside the vast region of the Middle East bordered by the Black, Mediterranean and Caspian Seas. The area, known as Asia Minor, stands at the crossroads of three continents; Europe, Asia and Africa. Great powers rose and fell over the many centuries and the Armenian homeland was at various times ruled by Persians, Greeks, Romans, Byzantines, Arabs and Mongols.

Despite the repeated invasions and occupations, Armenian pride and cultural identity never wavered. The snow-capped peak of Mount Ararat became its focal point and by 600 BC Armenia as a nation sprang into being. Following the advent of Christianity, Armenia became the very first nation to accept it as the state religion. A golden era of peace and prosperity followed which saw the invention of a distinct alphabet, a flourishing of literature, art, commerce, and a unique style of architecture. By the 10th century, Armenians had established a new capital at Ani, affectionately called the 'city of a thousand and one churches.'

In the eleventh century, the first Turkish invasion of the Armenian homeland occurred. Thus began several hundred years of rule by Muslim Turks. By the sixteenth century, Armenia had been absorbed into the vast and mighty Ottoman Empire. At its peak, this

Turkish empire included much of Southeast Europe, North Africa, and almost all of the Middle East.

But by the 1800s the once powerful Ottoman Empire was in serious decline. For centuries, it had spurned technological and economic progress, while the nations of Europe had embraced innovation and became industrial giants. Turkish armies had once been virtually invincible. Now, they lost battle after battle to modern European armies.

As the empire gradually disintegrated, formerly subject peoples including the Greeks, Serbs and Romanians achieved their long-awaited independence. Only the Armenians and the Arabs of the Middle East remained stuck in the backward and nearly bankrupt empire, now under the autocratic rule of Sultan Abdul Hamid.

By the 1890s, young Armenians began to press for political reforms, calling for a constitutional government, the right to vote and an end to discriminatory practices such as "Jizya" - special taxes levied solely against them because they were Christians. The despotic Sultan responded to their pleas with brutal persecutions. Between 1894 and 1896 over 100,000 inhabitants of Armenian villages were massacred during widespread pogroms conducted by the Sultan's special regiments.

But the Sultan's days were numbered. In July 1908, reform-minded Turkish nationalists known as "Young Turks" forced the Sultan to allow a constitutional government and guarantee basic rights. The Young Turks were ambitious junior officers in the Turkish Army who hoped to halt their country's steady decline.

Armenians in Turkey were delighted with this sudden turn of events and its prospects for a brighter future. Both Turks and Armenians held jubilant public rallies attended with banners held high calling for freedom, equality and justice.

However, their hopes were dashed when three of the Young Turks seized full control of the government via a coup in 1913. This triumvirate of Young Turks, consisting of Mehmed Talaat, Ismail Enver and Ahmed Djemal, came to wield dictatorial powers and concocted their own ambitious plans for the future of Turkey. They wanted to unite all of the Turkic peoples in the entire region while expanding the borders of Turkey eastward across the Caucasus all the way into Central Asia. This would create a new Turkish empire, a "great and eternal land" called Turan with one language and Islam as the only religion.

Turkey
1913 – 2 million Armenians (10% of total population)
Total population 20 million.

But there was a big problem. The traditional historic homeland of Armenia lay right in the path of their plans to expand eastward. And on that land was a large population of Christian Armenians totalling some two million persons, making up about 10 percent of Turkey's overall population.

Along with the Young Turk's newfound "Turanism" there was a dramatic rise in Islamic fundamentalist agitation throughout Turkey. Christian Armenians were once again branded as infidels (non-believers in Islam). Young Islamic extremists, sometimes leading to violence, staged anti-Armenian demonstrations. During one such outbreak in 1909, two hundred villages were plundered and over 30,000 persons massacred in the Cilicia district on the Mediterranean coast. Throughout Turkey, sporadic local attacks against Armenians continued unchecked over the next several years.

There were also big cultural differences between Armenians and Turks. The Armenians had always been one of the best-educated communities within the old Turkish Empire.

Armenians were the professionals in society, the businessmen, lawyers, doctors and skilled craftsmen. And they were more open to new scientific, political and social ideas from the West (Europe and America). Children of wealthy Armenians went to Paris, Geneva or even to America to complete their education.

By contrast, the majority of Turks were illiterate peasant farmers and small shopkeepers. Leaders of the Ottoman Empire had traditionally placed little value on education and not a single institute of higher learning could be found within their old empire. The various autocratic and despotic rulers throughout the empire's history had valued loyalty and blind obedience above all. Their uneducated subjects had never heard of democracy or liberalism and thus had no inclination toward political reform. But this was not the case with the better-educated Armenians who sought political and social reforms that would improve life for themselves and Turkey's other minorities.

The Young Turks decided to glorify the virtues of simple Turkish peasantry at the expense of the Armenians in order to capture peasant loyalty. They exploited the religious, cultural, economic and political differences between Turks and Armenians so that the average Turk came to regard Armenians as strangers among them.

When World War I broke out in 1914, leaders of the Young Turk regime sided with the Central Powers (Germany and Austria-Hungary). The outbreak of war would provide the perfect opportunity to solve the "Armenian question" once and for all. The world's attention became fixed upon the battlegrounds of France and Belgium where the young men of Europe were soon falling dead by the hundreds of thousands. The Eastern Front eventually included the border between Turkey and Russia. With war at hand, unusual measures involving the civilian population would not seem too out of the ordinary.

As a prelude to the coming action, Turks disarmed the entire Armenian population under the pretext that the people were naturally sympathetic toward Christian Russia. Every last rifle and pistol was forcibly seized, with severe penalties for anyone who failed to turn in a weapon. Quite a few Armenian men actually purchased a weapon from local Turks or Kurds (nomadic Muslim tribesmen) at very high prices so they would have something to turn in.

At this time, about forty thousand Armenian men were serving in the Turkish Army. In the fall and winter of 1914, all of their weapons were confiscated and they were put into slave labour battalions building roads or were used as human pack animals. Under the brutal work conditions they suffered a very high death rate. Those who survived would soon be shot outright. For the time had come to move against the Armenians.

The decision to annihilate the entire population came directly from the ruling triumvirate of ultra-nationalist Young Turks. The actual extermination orders were transmitted in coded telegrams to all provincial governors throughout Turkey. Armed roundups began on the evening of April 24, 1915, as 300 Armenian political leaders, educators, writers, clergy and dignitaries in Constantinople (present day Istanbul) were taken from their homes, briefly jailed and tortured, then hanged or shot.

Next, there were mass arrests of Armenian men throughout the country by Turkish soldiers, police agents and bands of Turkish volunteers. The men were tied together with ropes in small groups then taken to the outskirts of their town and shot dead or bayoneted by death squads. Local Turks and Kurds armed with knives and sticks often joined in on the killing.

Then it was the turn of Armenian women, children, and the elderly. On very short notice, they were ordered to pack a few belongings and be ready to leave home, under the pretext that they were being relocated to a non-military zone for their own safety. They were actually being taken on death marches heading south toward the Syrian Desert.

Muslim Turks who assumed instant ownership of everything quickly occupied most of the homes and villages left behind by the ousted Armenians. In many cases, local Turks who took them from their families spared young Armenian children from deportation. The children were coerced into denouncing Christianity and becoming Muslims, and were then given new Turkish names. For Armenian boys the forced conversion meant they each had to endure painful circumcision as required by Islamic custom.

Turkish gendarmes escorted individual caravans consisting of thousands of deported Armenians. These guards allowed roving government units of hardened criminals known as the "Special Organisation" to attack the defenceless people, killing anyone they pleased. They also encouraged Kurdish bandits to raid the caravans and steal anything they wanted. In addition, an extraordinary amount of sexual abuse and rape of girls and young women occurred at the hands of the Special Organisation and Kurdish bandits. Most of the attractive young females were kidnapped for a life of involuntary servitude.

The death marches during the Armenian Genocide, involving over a million Armenians, covered hundreds of miles and lasted months. Indirect routes through mountains and wilderness areas were deliberately chosen in order to prolong the ordeal and to keep the caravans away from Turkish villages.

Food supplies being carried by the people quickly ran out and they were usually denied further food or water. Anyone stopping to rest or lagging behind the caravan was mercilessly beaten until they rejoined the march. If they couldn't continue they were shot. A common practice was to force all of the people in the caravan to remove every stitch of clothing and have them resume the march in the nude under the scorching sun until they dropped dead by the roadside from exhaustion and dehydration.

An estimated 75 percent of the Armenians on these marches perished, especially children and the elderly. Those who survived the ordeal were herded into the desert without a drop of water. Being thrown off cliffs, burned alive, or drowned in rivers.

During the Armenian Genocide, the Turkish countryside became littered with decomposing corpses. At one point, Mehmed Talaat responded to the problem by sending a coded message to all provincial leaders: "I have been advised that in certain areas unburied corpses are still to be seen. I ask you to issue the strictest instructions so that the corpses and their debris in your vilayet are buried."

But his instructions were generally ignored. Those involved in the mass murder showed little interest in stopping to dig graves. The roadside corpses and emaciated deportees were a shocking sight to foreigners working in Turkey. Eyewitnesses included German government liaisons, American missionaries, and U.S. diplomats stationed in the country.

During the Armenian Genocide, the Christian missionaries were often threatened with death and were unable to help the people. Diplomats from the still neutral United States communicated their blunt assessments of the ongoing government actions. U.S. ambassador to Turkey, Henry Morgenthau, reported to Washington: "When the Turkish authorities gave the orders for these deportations, they were merely giving the death warrant to a whole race..."

The Allied Powers (Great Britain, France and Russia) responded to news of the massacres by issuing a warning to Turkey: "...the Allied governments announce publicly...that they will hold all the members of the Ottoman Government, as well as such of their agents as are implicated, personally responsible for such matters."

The warning had no effect. Newspapers in the West including the New York Times published reports of the continuing deportations with the headlines: Armenians Are Sent

to Perish in the Desert - Turks Accused of Plan to Exterminate Whole Population (August 18, 1915) - Million Armenians Killed or in Exile - American Committee on Relief Says Victims of Turks Are Steadily Increasing - Policy of Extermination (December 15, 1915).

Temporary relief for some Armenians came as Russian troops attacked along the Eastern Front and made their way into central Turkey. But the troops withdrew in 1917 upon the Russian Revolution. Armenian survivors withdrew along with them and settled in among fellow Armenians already living in provinces of the former Russian Empire. There were in total about 500,000 Armenians gathered in this region.

In May 1918, Turkish armies attacked the area to achieve the goal of expanding Turkey eastward into the Caucasus and also to resume the annihilation of the Armenians. As many as 100,000 Armenians may have fallen victim to the advancing Turkish troops.

However, the Armenians managed to acquire weapons and they fought back, finally repelling the Turkish invasion at the battle of Sardarabad, thus saving the remaining population from total extermination with no help from the outside world. Following that victory, Armenian leaders declared the establishment of the independent Republic of Armenia.

World War I ended in November 1918 with a defeat for Germany and the Central Powers including Turkey. Shortly before the war had ended, the Young Turk triumvirate; Talaat, Enver and Djemal, abruptly resigned their government posts and fled to Germany where they had been offered asylum.

In the months that followed, repeated requests by Turkey's new moderate government and the Allies were made asking Germany to send the Young Turks back home to stand trial. However all such requests were turned down. As a result, Armenian activists took matters into their own hands, located the Young Turks and assassinated them along with two other instigators of the mass murder.

Meanwhile, representatives from the fledgling Republic of Armenia attended the Paris Peace Conference in the hope that the victorious Allies would give them back their historic lands seized by Turkey. The European Allies responded to their request by asked the United States to assume guardianship of the new Republic. However, President Woodrow Wilson's attempt to make Armenia an official U.S. protectorate was rejected by the U.S. Congress in May 1920.

But Wilson did not give up on Armenia. As a result of his efforts, the Treaty of Sevres was signed on August 10, 1920 by the Allied Powers, the Republic of Armenia, and the new moderate leaders of Turkey. The treaty recognised an independent Armenian state in an area comprising much of the former historic homeland.

However, Turkish nationalism once again reared its head. The moderate Turkish leaders who signed the treaty were ousted in favour of a new nationalist leader, Mustafa Kemal, who simply refused to accept the treaty and even re-occupied the very lands in question then expelled any surviving Armenians, including thousands of orphans.

No Allied power came to the aid of the Armenian Republic and it collapsed. Only a tiny portion of the easternmost area of historic Armenia survived by being becoming part of the Soviet Union.

After the successful obliteration of the people of historic Armenia during the Armenian Genocide, the Turks demolished any remnants of Armenian cultural heritage including priceless masterpieces of ancient architecture, old libraries and archives. The Turks even leveled entire cities such as the once thriving Kharpert, Van and the ancient capital at Ani, to remove all traces of the three thousand year old civilisation.

Referring to the Armenian Genocide, the young German politician Adolf Hitler duly noted the half-hearted reaction of the world's great powers to the plight of the Armenians. After achieving total power in Germany, Hitler decided to conquer Poland in 1939 and told his generals: "Thus for the time being I have sent to the East only my 'Death's Head Units' with the orders to kill without pity or mercy all men, women, and children of Polish race or language. Only in such a way will we win the vital space that we need. Who still talks nowadays about the Armenians?"

Source:

http://www.unitedhumanrights.org/Genocide/armenian_genocide.htm

Armenian Genocide - Quotes

Talat Pasha: 6/1/1915 – "Turkey is taking advantage of the war in order to thoroughly liquidate (grundlich aufzaumen) its internal foes, i.e., the indigenous Christians, without being thereby disturbed by foreign intervention."

"What on earth do you want? The question is settled. There are no more Armenians."

Jemal Pasha: "800 000 Armenian deportees were actually killed... by holding the guilty accountable the government is intent on cleansing the bloody past." I am ashamed of my nation"

Enver Pasha: 5/19/1916 – "The Ottoman Empire should be cleaned up of the Armenians and the Lebanese. We have destroyed the former by the sword, we shall destroy the latter through starvation."

"You are greatly mistaken. We have this country absolutely under our control. I have no desire to shift the blame onto our underlings and I am entirely willing to accept the responsibility myself for everything that has taken place."

Prince Abdul Mecid: I refer to those awful massacres. They are the greatest stain that has ever disgraced our nation and race. They were entirely the work of Talat and Enver. I heard some days before they began that they were intended..

"I went to Istanbul and insisted on seeing Enver. I asked him if it was true that they intended to recommence the massacres which had been our shame and disgrace under Abdul Hamid. The only reply I could get from him was: It is decided: It is the program."

Damad Ferid Pasha: He described the treatment of the Armenians as; "A crime that drew the revulsion of the entire humankind."

Mustafa Arif: 12/13/1918 – "Surely a few Armenians aided and abetted our enemy, and a few Armenian Deputies committed crimes against the Turkish nation... it is incumbent upon a government to pursue the guilty ones. Unfortunately, our wartime leaders, imbued with a spirit of brigandage, carried out the law of deportation in a manner that could surpass the proclivities of the most bloodthirsty bandits. They decided to exterminate the Armenians, and they did exterminate them."

Mustafa Kemal "Ataturk": 8/1/1926 – "These left-over from the former Young Turk Party, who should have been made to account for the millions of our Christian subjects

who were ruthlessly driven en masse, from their homes and massacred, have been restive under the Republican rule."

German Quotes:

Hans Freiherr von Wangenheim: 6/17/1915 – Deportation of the Armenians from their homes in the vilayets of Eastern Anatolia, and their resettlement in other regions is implemented cruelly... it becomes obvious that deportation of the Armenians arises not only from military necessity, the internal minister Talat Bey told about it honestly to Doctor Mortsman, who is employed at the Empire Embassy now. Talat said: "The Sublime Porte intends to make use of the world war for cleaning the whole country from internal enemies, the local Christians, so that foreign countries won't hinder doing it by their diplomatic interference. This measure will serve to the interests of all allies of Turkey, especially the Germans..."

Count Wolff-Metternich: 7/10/1916 – "In its attempt to carry out its purpose to resolve the Armenian question by the destruction of the Armenian race, the Turkish government has refused to be deterred neither by our representations, nor by those of the American Embassy, nor by the delegate of the Pope, nor by the threats of the Allied Powers, nor in deference to the public opinion of the West representing one-half of the world."

Adolf Hitler: 8/2/1939 – "I have placed my death-head formations in readiness – for the present only in the East – with orders to them to send to death mercilessly and without compassion, men, women, and children of Polish derivation and language. Only thus shall we gain the living space (Lebensraum) which we need. Who, after all, speaks today of the annihilation of the Armenians?"

British Quotes:

Viscount James Bryce: 10/6/1915 – "The massacres are the result of a policy which, as far as can be ascertained, has been entertained for some considerable time by the gang of unscrupulous adventurers who are now in possession of the Government of the Turkish Empire. They hesitated to put it in practice until they thought the favourable moment had come, and that moment seems to have arrived about the month of April."

Viscount James Bryce: 5/11/1918 – "The Armenian massacre was the greatest crime of the war, and the failure to act against Turkey is to condone it... ..the failure to deal radically with the Turkish horror means that all talk of guaranteeing the future peace of the world is mischievous nonsense."

Lord Robert Cecil: 11/16/1915 – "I think it may be said, without the least fear of exaggeration, that no more horrible crime has been committed in the history of the world. This is a premeditative crime determined on long ago. It was a long-considered, deliberate policy to destroy and wipe out of existence the Armenians in Turkey. It was systematically carried out. It was ordered from the above..."

Winston Churchill: "In 1915 the Turkish Government began and ruthlessly carried out the infamous general massacre and deportation of Armenians in Asia Minor. There is no reasonable doubt that this crime was planned and executed for political reasons."

American Quotes:

Henry Morgenthau Sr.: 1/1/1919 – “When the Turkish authorities gave the orders for these deportations, they were merely giving the death warrant to a whole race; they understood this well, and, in their conversations with me, they made no particular attempt to conceal the fact. I am confident that the whole history of the human race contains no such horrible episode as this. The gr6eat massacres and persecutions of the past seem almost insignificant when compared to the sufferings of the Armenian race in 1915.”

Ronald Reagan: 4/22/1981 – “Like the genocide of the Armenians before it, and the genocide of the Cambodians which followed it, ... the lessons of the Holocaust must never be forgotten.”

Russian Quotes:

S. D. Sazonov: I had to refer to the unprecedented sufferings of this unfortunate nation before. Under the favourable control of the allied Germany, the Turks evidently intend to fulfil their long-standing dream to exterminate the Armenians which do not submit to the influence of the Muslims and the hinder the plans of Germany to subdue the Turkish Empire in economy and politics...

Envoy Smirnov from Cairo: 6/25/1915 – “Cruelties committed against the Armenians in Syria and neighbouring vilayets, violations, massacres and very often mass slaughter of the population of the Armenian villages are constantly repeated; families are cruelly separated, wives are separated from husbands, children are separated from parents, and all of them are exiled in various directions. Especially the Armenian clergy are pursued cruelly; the priests are haunted, tortured, their nails are pulled out.”

Israeli Quotes:

Yossi Beilin: 4/27/1994 – “It was not war. It was most certainly massacre and genocide, something the world must remember... We will always reject any attempt to erase its record, even for some political advantage.”

Other Quotes:

Valery Brusov: 1916 – “Turks continued their previous policy. They would not stop to commit massive and most awful massacres that even Leng Timur would not dare to do.”

Prof. Stanley Cohen: 12/1/1995 – “The nearest successful example (of collective denial) in the modern era is the 80 years of official denial by successive Turkish governments of the 1915-17 genocide against the Armenians in which 1,5 million people lost their lives. This denial has been sustained by deliberate propaganda, lying and cover-ups, forging documents, suppression of archives, and bribing scholars.”

Prof. Colin Tatz: 1/1/1996 – “The Turkish denial (of the Armenian Genocide) is probably the foremost example of historical perversion. With a mix of academic sophistication and diplomatic thuggery of which we at Macquarie University have been targets, the Turks have put both memory and history into reverse gear.”

Orhan Pamuk: Feb/2005 – “ one million Armenians were killed in these lands and nobody but me dares to talk about it.”

Rep. Adam Schiff: 2007 – “The legacy of the Armenian Genocide is woven into the fabric of America. So let us call genocide, genocide. Let us not minimise the deliberate murder of 1,5 million people. Let us have a moral victory that can shine as a light to all nations.”

The Muslim world along with the US and UK does not recognise these atrocities as a Genocide

Although there has been much academic recognition of the Armenian Genocide, this has far from always been followed by governments and media.

Despite Turkish denials and blackmail, the Armenian Genocide is unanimously verified by the International Association of Genocide Scholars and accepted by any nation that upholds moral responsibility above political gain.

Even today, the United States, Great Britain, Turkey and the rest of the Muslim World have refused to recognise the Armenian Genocide.

Obviously, Muslim countries will rarely condemn state or small scale Jihad but it's very apparent what kind of nobleness, loyalty and ethics the British and US government value and have done continuously throughout the 1900th century (only driven by self interest).

It should be noted though that the American people through their representatives on state level have made a lot more effort in condemning this as Genocide (40 out of 50 states).

Source: Hay Brountsk
<http://www.youtube.com/watch?v=tx1M82JsbbQ>

Greek Jihadi Genocide 1914-23

During the years 1914-1923, whilst the attention of the international community focused on the turmoil and aftermath of the First World War, the indigenous Greek minority of the Ottoman Empire, the Republic of Turkey's predecessor, was subjected to a centrally-organised, premeditated and systematic policy of annihilation. This genocide, orchestrated to ensure an irreversible end to the collective existence of Turkey's Greek population, was perpetrated by two consecutive governments; the Committee for Union and Progress, better known as the Young Turks, and the nationalist Kemalists led by Mustafa Kemal "Atatürk". A lethal combination of internal deportations involving death marches, forced conversions to Islam, torture, mutilation, rape, enslavement and massacres conducted throughout Ottoman Turkey resulted in the death of one million Ottoman Greeks. The International Association of Genocide Scholars, an organisation of the world's foremost experts on genocide, have affirmed the Ottoman Greek Genocide.

Many of the victims were massacred in bulks as early as 1895 (much earlier than the World War I) and up to 1955 (much after the World War II). The present estimate is that some 1.400.000 Greek children, men and women of all ages were killed during that period.

In the same places and often at the same time, the Turks tortured and massacred millions of Armenians and Assyrians of all ages. The fact that the three nations were

victims of the same Jihadi extermination policy is another proof of each of the three Genocides. It was not a "war", it was not a "revolt". It was a planned effort of extermination.[1][2]

Dr. William C. King's article "1,500,000 Greek Christians Massacred or Deported by Turks", published in King's Complete History of the World War (1922), covers the genocidal experiences of Ottoman Greeks up to 1918:

The article[3]:

1,500,000 Greek Christians Massacred or Deported by Turks

Systematic Attempt to Extinguish the Hellenic Race Inspired by Pagan Germany

Section 19- 1918

Under the tuition of pagan Germany, the unspeakable Turks attempted to destroy the large and flourishing Greek Christian populations that, from time immemorial, have dwelt along the coast of Asia Minor and the Marmoran coast in Thrace.

The Mahometans (Muslims) tore these Christians from their ancestral homes, confiscated all their property, and deported them variously into the interior of the Asia Minor, into the Turkish pale, or over the burning desert sands to far off Mesopotmaia. It is estimated that 1,500,000 Greeks were thus deported into desolate regions where they died off like flies of starvation of disease.

On this dreadful journey 700,000 are known to have perished. The survivors found themselves without shelter or food in a strange land and subjected to every indignity and torture which the abominable Turks, and their pagan German allies, could devise. **These among the Greeks who would agree to abjure Christianity and adopt the faith of Islam were spared** [*My emphasis*]; the rest were left to starve.

The wholesale deportation of the Greeks from Thrace had been under way since the close of the Balkan Wars in 1913. It accorded not at all with Germany's ideas of Oriental conquest to permit these Greeks to remain in European Turkey. The Turks were consequently instructed to extirpate the Greeks in any way they might choose.

In justification of these wholesale deportations, the Turks falsely alleged that the Hellenic populations of Thrace and the Asian coast were plotting revolution. The first deportations, numbering 250,000, were from Thrace into Greece proper. This persecution continued unabated up to the opening of the War. In this period the Greek Government did everything possible to protect their co-nationals, but after the World War had begun, King Constantine and his German wife (the sister of Kaiser Wilhelm of Germany), impeded every attempt made to ameliorate the lot of the exiled Hellenes. The bishop of Pera, after journeying to Athens to implore the King to take some action against the Turkish atrocities, was warned by the Queen to return to his home, "as it is the will of the King that you live on good terms with the Turks."

All this time the German agencies in Turkey, especially the German Palestine Bank, were urging the Mussulmans to cultivate hatred for the Christians and to have no commercial dealings with them.

The Bulgarian-Ottoman(Turkish) Plot

Bulgaria, half Turkish itself, entered into the plot to exterminate the Greek Christian race, by signing a pact with the Ottoman Empire, at Adrianople in June, 1915. Under this agreement Bulgaria consented (1) to the establishment of a Turco-Bulgar commercial union as the complement of the political union, (2) the seizure of the commerce of the Orient from the hands of the Greeks, (3) the establishment in the Orient of Moslem agencies for the importation and exportation of goods for the exclusive use of Moslems, who were to break of all commercial relations with the Greeks, (4) a restriction of the privileges of the Greek Patriarch and his ecclesiastical jurisdiction, (5) the prohibition of the teaching of Greek in future, (6) **the conversion by force of the people in the Christian settlements and the imposition of mixed marriages.** [*My emphasis*]

Germany the Author of the Massacres

Herr Lepsius, a German Envoy who had been sent to Constantinople on a special mission in July, 1915, acknowledged that the Greek and Armenian massacres were two phases of a single program of extermination of the Christian elements, intended to make Turkey a purely Moslem state.

That Germany was the author and inspiration of these massacres of Christians became known in 1917. The Greek Minister at Constantinople, M. Kallerghis, had protested the Turkish Grand Vizier, Talaat Bey, against the deportations of the Greeks in the Aival district. Talaat Bey promised to telegraph to the German General Liman von Sanders, telling him to cease the deportations. Von Sanders, who was in fact Commander-in-Chief of all the Turkish forces, replied that if the deportations ceased, he would not guarantee the safety of the Turkish Army, adding that he had referred the matter to the German Grand Headquarters Staff, who entirely approved of his action.

Greeks Drafted into the Turkish Army

The persecution of the Greek Christians, under their German-Turkish master, was carried out with devilish ingenuity. All their privileges were abolished. After an enrollment of Christians, there was a levy of "contributions". Then the forcible conversion of Christians to Islamism was attempted. Deportations and massacres followed. Meanwhile the Turkish language supplanted the Greek language in all the schools; Turkish geography and history, instead of Greek, were taught; the Patriarchy was abolished. All property held by the Greek civil and religious communities were confiscated and became the property of the Turkish State.

On Turkey's entry into the War, a decree was signed and promulgated which rendered all men up to the age of 48 liable for military service. The Christians thus drafted into the armies of the Turks were for the most part formed into labour battalions and sent hundreds of miles into the interior, where they employed in road-making, building, tunnel excavating and in field work for the rich pashas. Their daily ration was half a loaf of black bread, eked out with a little dried fish or olives. Driven like slaves and under-nourished, they died by tens of thousands. Whole battalions succumbed to the ravages of typhus and cholera. Many thousands were massacred by their inhuman Turkish guards. Of these Greek battalions it is estimated 150,000 died.

Fortunes of Christians Confiscated

Some hundreds of thousands of Hellenes from Thrace and Asia Minor managed to escape into Greece, where they subsequently fought in the Greek armies. Their desertion was the signal for other Turkish atrocities. The property of all deserters was duly seized and families were deported to the interior. In the district of Kerassunda, from which 300 Greeks had escaped, the Turks in reprisal burned 88 villages to the ground. Thirty thousand inhabitants, mostly women and children, were obliged to march in mid-winter to Angora. On the way, 7,000 died of exposure.

Meanwhile, the fortunes of many rich Christians were confiscated, and stores were completely pillaged. Christians were forced under threats of violence and imprisonment, to contribute large sums for the support of the Turkish Army and Navy, in addition to their usual heavy taxes.

Finally, under a system of compulsory labour, the Christians were obliged to cultivate the lands of the Moslems, but no time was allowed them to cultivate their own fields. If discovered harvesting their own crops a cordon would be placed around the village, the water supply cut off and the people were deprived of food and drink.

After a few days of such torture, a band of Bashi-Bazouks were sent into the villages to pillage and murder. The populations were given the choice of being deported over the mountains, to places hundreds of miles distant, or of suffering a lingering death from hunger and thirst. These deportations, begun in 1915, reached a total of 450,000 during the period of the War.

During these tragic pilgrimages the poor barefooted Greeks, beaten by guards, attacked by brigands, never resting, lacking food and water, wandered on to their distant destinations. Thousands died by the wayside of fatigue and suffering. While in transit, many mothers gave birth to infants, but they were compelled to leave them by the road-side and rejoin the marching columns. En route they were forbidden to enter the villages to purchase food.

Hundreds of young girls were detained by the Turks and forcibly "converted" to Islamism. At Panderma, the German General, Liman von Sanders, built an orphanage for all Christian girls who had been coerced into accepting Islam, and compelled the Christian population to contribute \$50,000 toward its support. [My emphasis]

The Black Sea Colonies

The Greek colonists on the coast of the Black Sea were likewise deported. The scourge of the Greeks in this region was the later Governor of Bitlis, Rafet Pasha. More than 150,000 Greeks were deported in this district and in Trebizond, and upward of 100 Greek villages were destroyed. **Hundreds of young Greek girls, rather than live as slaves in the harems, committed suicide by drowning. [My emphasis]**

The Order for Greek Deportations

The deporting orders to the Governor of Smyrna, signed by Ali Rıza, the chief of the Turkish Bureau of Correspondence, read as follows:

"It is imperative for political reasons that the Greeks dwelling along the coast of Asia Minor be compelled to evacuate their villages in order to settle in the villages of Erzerum and Chaldea. If they refuse to emigrate to the places assigned to them, you should issue verbal instructions to our Mussulman brothers so that they may, by all kinds of excesses, compel the Greeks to leave their homes of their own accord. Do not, in this case, forget to obtain from these emigrants declarations to the effect that they are leaving their hearths and homes of their own free will, so that no political complications may later result therefrom."

The Martyrdom of the Greeks

Half of the deported Greek populations perished in consequence of ill treatment, disease and famine, and the survivors suffered continual martyrdom as slaves. The Turkish functionaries, with German approval, declared that no Christian should be left alive in Turkey unless he consented to embrace Mohammedanism.

The confiscated fortunes of the deported Greeks surpass in the value \$1,000,000,000.

Political Recognition

Political recognition of the events as genocide is limited, the only countries officially acknowledging them as such being Greece and Cyprus.

Sources:

1. http://en.wikipedia.org/wiki/Pontic_Greek_genocide
2. <http://www.hellenicgenocide.org/index.html>
3. King, William C., *King's Complete History of the World War: Visualizing the Great Conflict in all Theaters of Action 1914-1918*, The History Associates, Massachusetts, 1922 pp.436-438
http://www.greek-genocide.org/article_1500000_greek_christians.html

Assyrian Jihadi Genocide (1914-1920)

The Assyrian Genocide (also known as Sayfo , Turkish: Süryani Soykırımı) was committed against the Assyrian and Syriac Christians of the Ottoman Empire near the end of the First World War by the leadership of the Young Turks Party. The Assyrian population of northern Mesopotamia (Tur Abdin, Hakkari, Van, Siirt region in modern-day southeastern Turkey and Urmia region in northwestern Iran) was forcibly relocated and massacred by Ottoman (Turkish and Kurdish) forces between 1914 and 1920 under the regime of the Young Turks.

Scholars have placed the number of Assyrian victims at 500,000 to 750,000 (75% of the population)[1][2][3][4]

Massacre of Khoi (Eye witness description of one event)

In early 1918, many Assyrians started to flee present-day Turkey. Mar Shimon Benyamin had arranged for some 3,500 Assyrians to reside in the district of Khoi. Not long after settling in, Kurdish troops of the Ottoman Army massacred the population almost entirely. One of the few that survived was Reverend John Eshoo. After escaping, he stated [7]:

You have undoubtedly heard of the Assyrian massacre of Khoi, but I am certain you do not know the details.

These Assyrians were assembled into one caravansary, and shot to death by guns and revolvers. Blood literally flowed in little streams, and the entire open space within the caravansary became a pool of crimson liquid. The place was too small to hold all the living victims waiting for execution. They were brought in groups, and each new group was compelled to stand over the heap of the still bleeding bodies and shot to death. The fearful place became literally a human slaughter house, receiving its speechless victims, in groups of ten and twenty at a time, for execution.

At the same time, the Assyrians, who were residing in the suburb of the city, were brought together and driven into the spacious courtyard of a house [...] The Assyrian refugees were kept under guard for eight days, without anything to eat. At last they were removed from their place of confinement and taken to a spot prepared for their brutal killing. These helpless Assyrians marched like lambs to their slaughter, and they opened not their mouth, save by sayings "Lord, into thy hands we commit our spirits. [...]"

The executioners began by cutting first the fingers of their victims, join by joint, till the two hands were entirely amputated. Then they were stretched on the ground, after the manner of the animals that are slain in the Fast, but these with their faces turned upward, and their heads resting upon the stones or blocks of wood Then their throats were half cut, so as to prolong their torture of dying, and while struggling in the agony of death, the victims were kicked and clubbed by heavy poles the murderers carried Many of them, while still labouring under the pain of death, were thrown into ditches and buried before their souls had expired.

The young men and the able-bodied men were separated from among the very young and the old. They were taken some distance from the city and used as targets by the shooters. They all fell, a few not mortally wounded. One of the leaders went to the heaps of the fallen and shouted aloud, swearing by the names of Islam's prophets that those who had not received mortal wounds should rise and depart, as they would not be harmed any more. A few, thus deceived, stood up, but only to fall this time killed by another volley from the guns of the murderers.

Some of the younger and good looking women, together with a few little girls of attractive appearance, pleaded to be killed. Against their will were forced into Islam's harems. Others were subjected to such fiendish insults that I cannot possibly describe. Death, however, came to their rescue and saved them from the vile passions of the demons. The death toll of Assyrians totalled 2,770 men, women and children.

Statement of German Missionaries on Urmia.

The latest news is that four thousand Assyrians and one hundred Armenians have died of disease alone, at the mission, within the last five months. All villages in the surrounding district with two or three exceptions have been plundered and burnt; twenty thousand Christians have been slaughtered in Armenia and its environs. In Haftewan, a village of Salmas, 750 corpses without heads have been recovered from the wells and cisterns alone. Why? Because the commanding officer had put a price on every Christian head... In Dilman crowds of Christians were thrown into prison and driven to accept Islam. [6]

Recognition

The genocide of Assyrians has yet to be officially recognised by any country. The only logical reason is that most countries don't want to risk jeopardising trade relations with Turkey.

As an illustration; In June 2008, Yilmaz Kerimo and Ibrahim Baylan both from the Swedish Social Democratic Party, brought a bill to the Swedish parliament for the recognition of the genocide. The parliament resoundingly voted against it, 37 to 245.

Sources:

http://en.wikipedia.org/wiki/Assyrian_Genocide

1. The Plight of Religious Minorities: Can Religious Pluralism Survive? - Page 51 by United States Congress
2. The Armenian Genocide: Wartime Radicalisation Or Premeditated Continuum - Page 272 edited by Richard Hovannisian
3. Not Even My Name: A True Story - Page 131 by Thea Halo
4. The Political Dictionary of Modern Middle East by Agnes G. Korbani
6. Abraham Yohannan The Death of a Nation: Or, The Ever Persecuted Nestorians Or Assyrian Christians ISBN 0524062358, pp. 126-127.
7. Joel Euel Werda. The Flickering Light of Asia: Or, the Assyrian Nation and Church, ch. 26

Assyrian Genocide in Iraq (1933)

The massacre of Christian Assyrian villagers in the town of Simmele, North Iraq, and its surroundings was the second[9]. On August 8-11, 1933 the Iraqi army, under the leadership of Bakir Sidqi, a Kurd, killed 3000 men, women and children in the village of Simmele and its surroundings. This was one of the first acts of the new Iraq, having gained its independence from the British in 1932.

It was this Simmele Massacre which inspired Raphael Lemkin, the author of the UN Convention on Genocide, to coin the term *Genocide*[10].

Assyrian Massacre (1829 Iraq and Syria)

In October, 1829 the Kurdish leader Rwandez initiated a pogrom against Assyrians of the Syrian Orthodox Church in North Iraq and Syria. The first village that was attacked was Bit-Zabda, where 200 men were killed. Subsequently, the Kurds stormed the Asfas village, first slaying the leader, Deacon Rais Arabo, and then Reverend Aziz. Eighty children fleeing to a nearby valley were attacked and murdered by the pursuing Kurds. The young girls of the village were unclothed. The girls were enslaved while the others were shot on-site. The attackers then moved to Nisibin, on the border of Turkey and Syria, and repeated similar atrocities.[11]

Assyrian Massacre (1842 Turkey)

In 1842 Badr Khan Beg, A Hakkari (southeast Turkey) Kurdish Amir, combined with other Kurdish forces led by Nurallah, attacked the Assyrians, intending to burn, kill, destroy, and, if possible, exterminate the Assyrians from the mountains. The Kurds destroyed and burned whatever came within their reach. An indiscriminate massacre took place. The women were brought before the Amir and murdered in cold blood. The aged mother of Mar Shimun, the Patriarch of the Church of the East, was seized by them, and after having practiced on her the most abominable atrocities, they cut her body into two parts

and threw it into the river Zab, exclaiming, "go and carry to your accursed son the intelligence that the same fate awaits him." Nearly ten thousand Assyrians were massacred, and as large a number of woman and children were taken captive, most of whom were sent to Jezirah to be sold as slaves, to be bestowed as presents upon the influential Muslims.[12]

30 documented Genocides of Christian Assyrians since year 630 A.D.

Since 630 A.D., the coming of Islam, Assyrians have suffered 30 genocides at the hands of Muslims. Subtracting 661 (the first genocide) from 2007 and dividing by 30 yields 45 years -- the frequency of Assyrian genocides. On average, every second Assyrian generation has suffered genocide. [14]

In addition there are most likely hundreds of cases of mass murderings, hundreds of thousands of murders.

Sources:

9. The Simmele Massacre, <http://www.aina.org/releases/20040805022140.htm>
10. 1933 Assyrian Genocide in Iraq Inspired the Word 'Genocide', <http://www.aina.org/news/20070115185021.htm>
11. Deacon Asman Alkass Gorgis. Jirah Fi Tarikh Al-syrian, 1980, pp. 14. Translated by Subhi Younan
12. Abraham Yohannan. The Death of a Nation. G. P. Putnam's Sons, 1916, pp. 111-112 <http://www.aina.org/reports/ig.pdf>
14. Genocides Against the Assyrian Nation, <http://www.aina.org/martyr.html>

1.18 Turkey: Back to the Future?

By Andrew G. Bostom

Once again, Turks are storming the heart of Europe. This time, it is not by the sword, but rather in seeking to join the European Union (EU). Once inside the gates, they will gain access to the great cities, wealth, and power of their ancient rivals. Smoothing the way for incorporation of the former would-be conqueror into borderless Europe is an errant belief that Ottoman Turkey was a tolerant multi-cultural civilisation. Nothing could be further from the truth.

Recently, security analyst Frank Gaffney wrote a courageous essay, featured in the Washington Times, urging that Turkey's bid to join the EU be rejected. Gaffney highlighted the Islamic Shari'a-based religious revival under the current Erdogan regime as the keystone to his cogent argument. Despite Gaffney's legitimate concerns regarding the current Erdogan government, he reiterates a common, politically-correct canard which ignores the direct nexus between Erdogan's ideology, and the goals and behaviours of Erdogan's Ottoman ancestors. It is ahistorical to speak of "Ottoman tolerance" as distinct from Erdogan's "Islamism", because the Ottoman Empire expanded via three centuries of devastating jihad campaigns, and the flimsy concept of Ottoman tolerance was, in reality, Ottoman-imposed dhimmitude, under the Shari'a.

With formal discussions regarding Turkey's potential EU accession currently underway, this three part essay will elaborate on several apposite historical phenomena: Jihad and dhimmitude under the Ottomans, focusing primarily on Asia Minor and Eastern Europe; the failure of the so-called Ottoman Tanzimat reforms to abrogate the system of dhimmitude; and the dissolution of this Shari'a state whose bloody, convulsive collapse during the first World War included a frank jihad genocide of the Ottoman dhimmi population, once considered most loyal to the Empire, i.e., the Armenians. I believe such

an analysis is particularly timely, in light of a December 2004 United Nations Conference which lionised "Ottoman tolerance" as a role model, "... to be adapted even today..." [emphasis added], and Gaffney's reiteration of this profoundly flawed conception, despite his own bold opposition to Turkey's entry into the EU.

Part 1 - Jihad Campaigns of the Seljuks and Ottomans

The historian Michael the Syrian (Jacobite Patriarch of Antioch from 1166 to 1199 C.E.) in his Chronicle reproducing earlier contemporary sources, made important observations regarding events which occurred beginning in the third decade of the 11th century. He noted,

"...the commencement of the exodus of the Turks to...Syria and the coast of Palestine...[Where] They subdued all the countries by cruel devastation and plunder" [1] Subsequently, "Turks and Arabs were mixing together like a single people...Such was the rule of the Turks amidst the Arabs" [2]

Expanding upon this contemporary account, and the vast array of other primary sources- Arabic, Turkish, Greek, Latin, Serbian, Bulgarian, and Hungarian. [3] Bat Ye'or concludes, [4]

...the two waves of Muslim expansion, the Arab from the seventh century, and the Turkish four centuries later- are remarkably similar...The great Arab and Turkish conquerors used the same military tactics and the same policies of consolidating Islamic power. This continuity resulted from the fact that the conquests took place within the framework of the common ideology of jihad and the administrative and juridical apparatus of the shari'a- a uniformity that defies time, since it adapts itself to diverse lands and peoples, being integrated into the internal coherence of a political theology. In the course of their military operations, the Turks applied to the conquered populations the rules of jihad, which had been structured four centuries earlier by the Arabs and enshrined in Islamic religious law.

The Seljuk and Ottoman jihad campaigns were spearheaded by "Ghazi" (from the word ghazwa or "razzia") movements, "Warriors of the Faith", brought together under the banner of Islam to fight infidels, and obtain booty. Wittek [5] and Vryonis [6] have stressed the significance of this movement, in its Seljuk incarnation, at the most critical frontier of Islam during the 11th and 12th centuries, i.e., eastern Anatolia. Vryonis notes, [7]

When the Arab traveler al-Harawi passed through these border regions in the second half of the 12th century, he noted the existence of a shrine on the Byzantine-Turkish borders (near Afyon-Karahisar) which was reported to be the tomb of the Muslim martyr Abu Muhammad al-Battal, and at Amorium the tombs of those who fell in the celebrated siege of the city in 838. These constitute fascinating testimony to the fact that the ghazi-jihad tradition was closely intertwined into the nomadic society of Phrygia. Not only was there evidence of a nomadic invasion but also of an epic society in its heroic age, and it is from this milieu that the Turkish epics were shaped: the *Battalname*, the *Danishmendname*, and the *Dusturname*.

Wittek, citing the oldest known Ottoman source, the versified chronicle of Ahmedi, maintains that the 14th century Ottomans believed they too,

"were a community of Ghazis, of champions of the Mohammedan religion; a community of the Moslem march-warriors, devoted to the struggle with the infidels in their neighbourhood" [8].

The contemporary Turkish scholar of Ottoman history, Halil Inalcik, has also emphasised the importance of Muslim religious zeal- expressed through jihad- as a primary motivation for the conquests of the Ottoman Turks: [9]

The ideal of gaza, Holy War, was an important factor in the foundation and development of the Ottoman state. Society in the frontier principalities conformed to a particular cultural pattern imbued with the ideal of continuous Holy War and continuous expansion of the Dar ul Islam-the realms of Islam- until they covered the whole world.

Incited by pious Muslim theologians, these ghazis were at the vanguard of both the Seljuk and Ottoman jihad conquests. Vacalopoulos highlights the role of the dervishes during the Ottoman campaigns: [10]

...fanatical dervishes and other devout Muslim leaders...constantly toiled for the dissemination of Islam. They had done so from the very beginning of the Ottoman state and had played an important part in the consolidation and extension of Islam. These dervishes were particularly active in the uninhabited frontier regions of the east. Here they settled down with their families, attracted other settlers, and thus became the virtual founders of whole new villages, whose inhabitants invariably exhibited the same qualities of deep religious fervor. From places such as these, the dervishes or their agents would emerge to take part in new military enterprises for the extension of the Islamic state. In return, the state granted them land and privileges under a generous prescription which required only that the land be cultivated and communications secured.

Brief overviews of the Seljuk and Ottoman jihad campaigns which ultimately Islamised Asia Minor, have been provided by Vryonis and Vacalopoulos. First, the schematic, clinical assessment of Vryonis: [11]

The conquest, or should I say the conquests of Asia Minor were in operation over a period of four centuries. Thus the Christian societies of Asia Minor were submitted to extensive periods of intense warfare, incursions, and destructions which undermined the existence of the Christian church. In the first century of Turkish conquests and invasions from the mid-eleventh to the late twelfth century, the sources reveal that some 63 towns and villages were destroyed. The inhabitants of other towns and villages were enslaved and taken off to the Muslim slave markets.

Vacalopoulos describes the conquests in more animated detail: [12]

At the beginning of the eleventh century, the Seljuk Turks forced their way into Armenia and there crushed the armies of several petty Armenian states. No fewer than forty thousand souls fled before the organised pillage of the Seljuk host to the western part of Asia Minor...From the middle of the eleventh century, and especially after the battle of Malazgirt [Manzikurt] (1071), the Seljuks spread throughout the whole Asia Minor peninsula, leaving terror, panic and destruction in their wake. Byzantine, Turkish and other contemporary sources are unanimous in their agreement on the extent of havoc wrought and the protracted anguish of the local population...evidence as we have proves that the Hellenic population of Asia Minor, whose very vigor had so long sustained the Empire and might indeed be said to have constituted its greatest strength, succumbed so rapidly to Turkish pressure that by the fourteenth century, it was confined to a few limited areas. By

that time, Asia Minor was already being called Turkey...one after another, bishoprics and metropolitan sees which once throbbed with Christian vitality became vacant and ecclesiastical buildings fell into ruins. The metropolitan see of Chalcedon, for example, disappeared in the fourteenth century, and the sees of Laodicea, Kotyaeon (now Kutahya) and Synada in the fifteenth...With the extermination of local populations or their precipitate flight, entire villages, cities, and sometimes whole provinces fell into decay. There were some fertile districts like the valley of the Maeander River, once stocked with thousands of sheep and cattle, which were laid waste and thereafter ceased to be in any way productive. Other districts were literally transformed into wildernesses. Impenetrable thickets sprang up in places where once there had been luxuriant fields and pastures. This is what happened to the district of Sangarius, for example, which Michael VIII Palaeologus had known formerly as a prosperous, cultivated land, but whose utter desolation he afterwards surveyed in utmost despair...The mountainous region between Nicaea and Nicomedia, opposite Constantinople, once clustered with castles, cities, and villages, was depopulated. A few towns escaped total destruction- Laodicea, Iconium, Bursa (then Prusa), and Sinope, for example- but the extent of devastation elsewhere was such as to make a profound impression on visitors for many years to come. The fate of Antioch provides a graphic illustration of the kind of havoc wrought by the Turkish invaders: in 1432, only three hundred dwellings could be counted inside its walls, and its predominantly Turkish or Arab inhabitants subsisted by raising camels, goats, cattle, and sheep. Other cities in the south-eastern part of Asia Minor fell into similar decay.

The Islamisation of Asia Minor was complemented by parallel and subsequent Ottoman jihad campaigns in the Balkans [13]. As of 1326 C.E., yearly razzias by the emirs of Asia Minor targeted southern Thrace, southern Macedonia, and the coastal areas of southern Greece. Around 1360 C.E., the Ottomans, under Suleiman (son of Sultan Orchan), and later Sultan Murad I (1359-1389), launched bona fide campaigns of jihad conquest, capturing and occupying a series of cities and towns in Byzantine and Bulgarian Thrace. Following the battle of Cernomen (September 26, 1371), the Ottomans penetrated westward, occupying within 15 years, a large number of towns in western Bulgaria, and in Macedonia. Ottoman invasions during this period also occurred in the Peloponnesus, central Greece, Epirus, Thessaly, Albania, and Montenegro. By 1388 most of northeast Bulgaria was conquered, and following the battle of Kosovo (1389), Serbia came under Ottoman suzerainty. Vacalopoulos argues that internecine warring, as well as social and political upheaval, prevented the Balkan populations- Greeks, Bulgarians, Albanians, and Serbians- from uniting against the common Ottoman enemy, thus sealing their doom. Indeed, he observes that, [14]

After the defeat of the Serbs at Cirmen (or Cernomen) near the Hebrus River in 1371, Serbia, Bulgaria, and the Byzantine Empire became tributaries of the Ottoman Empire and were obliged to render assistance in Ottoman campaigns.

Bayezid I (1389-1402) undertook devastating campaigns in Bosnia, Hungary, and Wallachia, in addition to turning south and again attacking central Greece and the Peloponnesus. After a hiatus during their struggle against the Mongol invaders, the Ottomans renewed their Balkan offensive in 1421. Successful Ottoman campaigns were waged in the Peloponnesus, Serbia, and Hungary, culminating with the victory at the second Battle of Kosovo (1448). With the accession to power of Mehmed II, the Ottomans commenced their definitive conquest of the Balkan peninsula. Constantinople was captured on May 29, 1453, marking the end of the Byzantine Empire. By 1460, the Ottomans had completely vanquished both Serbia and the Peloponnesus. Bosnia and Trebizond fell in 1463, followed by Albania in 1468. With the conquest of Herzegovina in 1483, the Ottomans became rulers of the entire Balkan peninsula.

Vacalopoulos, commenting on the initial Ottoman forays into Thrace during the mid 14th century, and Angelov, who provides an overall assessment highlighting the later

campaigns of Murad II (1421-1451) and Mehmed II (1451-1481), elucidate the impact of the Ottoman jihad on the vanquished Balkan populations:

From the very beginning of the Turkish onslaught [in Thrace] under Suleiman [son of Sultan Orchan], the Turks tried to consolidate their position by the forcible imposition of Islam. If [the Ottoman historian] Sukrullah is to be believed, those who refused to accept the Moslem faith were slaughtered and their families enslaved. "Where there were bells", writes the same author [i.e., Sukrullah], "Suleiman broke them up and cast them into fires. Where there were churches he destroyed them or converted them into mosques. Thus, in place of bells there were now muezzins. Wherever Christian infidels were still found, vassalage was imposed on their rulers. At least in public they could no longer say 'kyrie eleison' but rather 'There is no God but Allah'; and where once their prayers had been addressed to Christ, they were now to "Muhammad, the prophet of Allah'." [15]

...the conquest of the Balkan Peninsula accomplished by the Turks over the course of about two centuries caused the incalculable ruin of material goods, countless massacres, the enslavement and exile of a great part of the population – in a word, a general and protracted decline of productivity, as was the case with Asia Minor after it was occupied by the same invaders. This decline in productivity is all the more striking when one recalls that in the mid-fourteenth century, as the Ottomans were gaining a foothold on the peninsula, the States that existed there – Byzantium, Bulgaria and Serbia – had already reached a rather high level of economic and cultural development....The campaigns of Mourad II (1421-1451) and especially those of his successor, Mahomet II (1451-1481) in Serbia, Bosnia, Albania and in the Byzantine principedom of the Peloponnesus, were of a particularly devastating character. During the campaign that the Turks launched in Serbia in 1455-1456, Belgrade, Novo-Bardo and other towns were to a great extent destroyed. The invasion of the Turks in Albania during the summer of 1459 caused enormous havoc. According to the account of it written by Kritobulos, the invaders destroyed the entire harvest and levelled the fortified towns that they had captured. The country was afflicted with further devastation in 1466 when the Albanians, after putting up heroic resistance, had to withdraw into the most inaccessible regions, from which they continued the struggle. Many cities were likewise ruined during the course of the campaign led by Mahomet II in 1463 against Bosnia – among them Yaytzé, the capital of the Kingdom of Bosnia...But it was the Peloponnesus that suffered most from the Turkish invasions. It was invaded in 1446 by the armies of Murad II, which destroyed a great number of places and took thousands of prisoners. Twelve years later, during the summer of 1458, the Balkan Peninsula was invaded by an enormous Turkish army under the command of Mahomet II and his first lieutenant Mahmoud Pasha. After a siege that lasted four months, Corinth fell into enemy hands. Its walls were razed, and many places that the sultan considered useless were destroyed. The work by Kritobulos contains an account of the Ottoman campaigns, which clearly shows us the vast destruction caused by the invaders in these regions. Two years later another Turkish army burst into the Peloponnesus. This time Gardiki and several other places were ruined. Finally, in 1464, for the third time, the destructive rage of the invaders was aimed at the Peloponnesus. That was when the Ottomans battled the Venetians and levelled the city of Argos to its foundations. [16]

Ottoman Dhimmitude

In examining how the non-Muslim populations vanquished by the Ottoman jihad campaigns fared, it is useful to begin with the Jews, the least numerous population, who are also generally believed to have had quite a positive experience. Joseph Hacker studied the fate of Jews during their initial absorption into the Ottoman Empire in the 15th and 16th centuries. His research questions the uncritical view that from its outset the, "...Jewish experience" in the Ottoman Empire "...was a calm, peaceful, and fruitful one..". Hacker notes: [17]

...It would seem to me that this accepted view of consistently good relations between the Ottomans and the Jews during the 15th century should be modified in light of new research and manuscript resources.

The Jews, like other inhabitants of the Byzantine Empire, suffered heavily from the Ottoman jihad conquests and policies of colonisation and population transfer (i.e., the *surgun* system). This explains the disappearance of several Jewish communities, including Salonica, and their founding anew by Spanish Jewish immigrants. Hacker observes, specifically: [18]

...We possess letters written about the fate of Jews who underwent one or another of the Ottoman conquests. In one of the letters which was written before 1470, there is a description of the fate of such a Jew and his community, according to which description, written in Rhodes and sent to Crete, the fate of the Jews was not different from that of Christians. Many were killed; others were taken captive, and children were [enslaved, forcibly converted to Islam, and] brought to *devshirme*...Some letters describe the carrying of the captive Jews to Istanbul and are filled with anti-Ottoman sentiments. Moreover, we have a description of the fate of a Jewish doctor and homilist from Veroia (Kara-Ferya) who fled to Negroponte when his community was driven into exile in 1455. He furnished us with a description of the exiles and their forced passage to Istanbul. Later on we find him at Istanbul itself, and in a homily delivered there in 1468 he expressed his anti-Ottoman feelings openly. We also have some evidence that the Jews of Constantinople suffered from the conquest of the city and that several were sold into slavery.

Three summary conclusions are drawn by Hacker: (i) Strong anti-Ottoman feelings prevailed in some Byzantine Jewish circles in the first decades after the fall of Constantinople. These feelings were openly expressed by people living under Latin rule and to some extent even in Istanbul.; (ii) Mehmed II's policies toward non-Muslims made possible the substantial economic and social development of the Jewish communities in the empire, and especially in the capital - Istanbul. These communities were protected by him against popular hatred, and especially from blood libels. However, this policy was not continued by Bayezid II and there is evidence that under his rule the Jews suffered severe restrictions in their religious life.; (iii) The friendly policies of Mehmed on the one hand, and the good reception by Bayezid II of Spanish Jewry on the other, cause the Jewish writers of the sixteenth century to overlook both the destruction which Byzantine Jewry suffered during the Ottoman conquests and the later outbursts of oppression under both Bayezid II and Selim I.

Ivo Andric analysed [19] the "rayah" (meaning "herd", and "to graze a herd") or dhimmi condition imposed upon the indigenous Christian population of Bosnia, for four centuries. Those native Christian inhabitants who refused to apostatise to Islam lived under the Ottoman *Kanun-i-Rayah*, which merely reiterated [20] the essential regulations of dhimmitude originally formulated by Muslim jurists and theologians in the 7th and 8th centuries C.E. Andric's presentation musters, [21]

...a wealth of irrefutable evidence that the main points of the *Kanun*, just those that cut the deepest into the moral and economic life of Christians, remained in full force right up to the end of Turkish rule and as long as the Turks had the power to apply them...[thus] it was inevitable that the rayah decline to a status that was economically inferior and dependent.

Andric cites a Bosnian Muslim proverb, and a song honouring Sultan Bayezid II, whose shared perspectives reflect Muslim attitudes toward the Christian rayahs: [22]

[proverb] "The rayah is like the grass,/Mow it as much as you will, still it springs up anew"

[song] "Once you'd broken Bosnia's horns/You mowed down what would not be pruned/Leaving only the ruffraff behind/So there'd be someone left to serve us and grieve before the cross"

These prevailing discriminatory conditions were exacerbated by Bosnia's serving as either a battlefield or staging ground during two centuries of Ottoman razzias and formal jihad campaigns against Hungary. Overcome by excessive taxation and conscript labour:

Christians therefore began to abandon their houses and plots of land situated in level country and along the roads and to retreat back into the mountains. And as they did so, moving ever higher into inaccessible regions, Muslims took over their former sites. [23]

Moreover, those Christians living in towns suffered from the *rayah* system's mandated impediments to commercial advancement by non-Muslims: [24]

Islam from the very outset, excluded such activities as making wine, breeding pigs, and selling pork products from commercial production and trade. But additionally Bosnian Christians were forbidden to be saddlers, tanners, or candle makers or to trade in honey, butter, and certain other items. Countrywide, the only legal market day was Sunday. Christians were thus deliberately faced with the choice between ignoring the precepts of their religion, keeping their shops open and working on Sundays, or alternatively, forgoing participation in the market and suffering material loss thereby. Even in 1850, in Jukic's "Wishes and Entreaties" we find him beseeching "his Imperial grace" to put an end to the regulation that Sunday be market day.

Christians were also forced to pay disproportionately higher taxes than Muslims, including the intentionally degrading non-Muslim poll-tax.

This tax was paid by every non-Muslim male who had passed his fourteenth year, at the rate of a ducat per annum. But since Turkey had never known birth registers, the functionary whose job it was to exact the tax measured the head and neck of each boy with a piece of string and judged from that whether a person had arrived at a taxable age or not. Starting as an abuse that soon turned into an ingrained habit, then finally established custom, by the last century of Turkish rule every boy without distinction found himself summoned to pay the head tax. And it would seem this was not the only abuse...Of Ali-Pasa Stocevic, who during the first half of the nineteenth century was vizier and all but unlimited ruler of Herzegovina, his contemporary, the monk Prokopije Cokorilo, wrote that he "taxed the dead for six years after their demise" and that his tax collectors "ran their fingers over the bellies of pregnant women, saying 'you will probably have a boy, so you have to pay the poll tax right away...The following folk saying from Bosnia reveals how taxes were exacted: "He's as fat as if he'd been tax collecting in Bosnia" [25]

The specific *Kanun-i-Rayah* stipulations which prohibited the *rayahs* from riding a saddled horse, carrying a saber or any other weapon in or out of doors, selling wine, letting their hair grow, or wearing wide sashes, were strictly enforced until the mid-19th century. Hussamudin-Pasa, in 1794 issued an ordinance which prescribed the exact colour and type of clothing the Bosnian *rayah* had to wear. Barbers were prohibited from shaving Muslims with the same razors used for Christians. Even in bathhouses, Christians were required to have specifically marked towels and aprons to avoid confusing their laundry with laundry designated for Muslims. Until at least 1850, and in some parts of Bosnia, well into the 1860s, a Christian upon encountering a Muslim, was required to jump down from his (unsaddled) horse, move to the side of the road, and wait for the latter to pass. [26]

Christianity's loud and most arresting symbol, church bells, Andric notes [27], always drew close, disapproving Turkish scrutiny, and, "Wherever there invasions would go, down came the bells, to be destroyed or melted into cannon". Predictably:

Until the second half of the nineteenth century, "nobody in Bosnia could even think of bells or bell towers." Only in 1860 did the Sarajevo priest Fra Grgo Martic manage to get permission from Topal Osman-Pasa to hang a bell at the church in Kresevo. Permission was granted, thought, only on condition that "at first the bell be rung softly to let the Turks get accustomed to it little by little". And still the Muslim of Kresevo were complaining, even in 1875, to Sarajevo that "the Turkish ear and ringing bells cannot coexist in the same place at the same time"; and Muslim women would beat on their copper pots to drown out the noise...on 30 April 1872, the new Serbian Orthodox church also got a bell. But since the...Muslims had threatened to riot, the military had to be called in to ensure that the ceremony might proceed undisturbed. [28]

The imposition of such disabilities, Andric observes, [29] extended beyond church ceremonies, as reflected by a 1794 proclamation of the Serbian Orthodox church in Sarajevo warning Christians not to:

...sing during ...outings, nor in their houses, nor in other places. The saying "Don't sing too loud, this village is Turk" testifies eloquently to the fact that this item of the Kanun [- i-Rayah] was applied outside church life as well as within.

Andric concludes, [30]:

...for their Christian subjects, their [Ottoman Turkish] hegemony brutalised custom and meant a step to the rear in every respect.

Finally, Jovan Cvijic, the Serbian sociologist and geographer, observed,

There are regions where the [Serb] Christian population...lived under the regime of fear, from birth to death.

Despite the liberation of the Balkans in 1912, Cvijic further noted that the Serbs were not fully cognizant of their new status, and this fear could still be read, remaining etched on their faces. [31]

Paul Ricaut, the British consul in Smyrna, journeyed extensively within the Ottoman Empire during the mid-17th century, becoming a keen observer of its socio-political milieu. In 1679 (i.e., prior to the Ottomans being repulsed at Vienna in September, 1683; see later discussion of Ottoman "tolerance"), Ricaut published these important findings [32]: (i) many Christians were expelled from their churches, which the Ottoman Turks converted into mosques; (ii) the "Mysteries of the Altar" were hidden in subterranean vaults and sepulchers whose roofs were barely above the surface of the ground; (iii) fearing Turkish hostility and oppression, Christian priests, particularly in eastern Asia Minor, were compelled to live with great caution and officiate in private obscurity; (iv) not surprisingly, to escape these prevailing conditions, many Christians apostatised to Islam. Moreover, as Vryonis demonstrated convincingly for the earlier period between the 11th and 15th centuries [33], the existence of crypto-Christianity and neo-martyrs were not uncommon phenomena in the Christian territories of Asia Minor

conquered by the waves of Seljuk and Ottoman jihad. He cites, for example, a pastoral letter from 1338 addressed to the residents of Nicaea indicating widespread, forcible conversion by the Turks: [34]

And they [Turks] having captured and enslaved many of our own and violently forced them and dragging them along alas! So that they took up their evil and godlessness.

The phenomenon of forcible conversion, including coercive en masse conversions, persisted throughout the 16th century, as discussed by Constantelos in his analysis of neo-martyrdom in the Ottoman Empire: [35]

...mass forced conversions were recorded during the caliphates of Selim I (1512-1520), Selim II (1566-1574), and Murat III (1574-1595). On the occasion of some anniversary, such as the capture of a city, or a national holiday, many rayahs were forced to apostatise. On the day of the circumcision of Mohammed III great numbers of Christians (Albanians, Greeks, Slavs) were forced to convert to Islam.

Reviewing the martyrology of Christians victimised by the Ottomans from the conquest of Constantinople (1453), through the final phases of the Greek War of Independence (1828), Constantelos indicates: [36]

...the Ottoman Turks condemned to death eleven Ecumenical Patriarchs of Constantinople, nearly one hundred bishops, and several thousand priests, deacons, and monks. It is impossible to say with certainty how many men of the cloth were forced to apostatise.

However, the more mundane cases illustrated by Constantelos are of equal significance in revealing the plight of Christians under Ottoman rule, through at least 1867: [37]

Some were accused of insulting the Muslim faith or of throwing something against the wall of a mosque. Others were accused of sexual advances toward a Turk; still others of making a public confession such as "I will become a Turk" without meaning it.

Constantelos concludes: [38]

The story of the neo-martyrs indicates that there was no liberty of conscience in the Ottoman Empire and that religious persecution was never absent from the state. Justice was subject to the passions of judges as well as of the crowds, and it was applied with a double standard, lenient for Muslims and harsh for Christians and others. The view that the Ottoman Turks pursued a policy of religious toleration in order to promote a fusion of the Turks with the conquered populations is not sustained by the facts.

Even the Turcophilic 19th century travel writer Ubicini acknowledged the oppressive burden of Ottoman dhimmitude in this moving depiction: [39]

The history of enslaved peoples is the same everywhere, or rather, they have no history. The years, the centuries pass without bringing any change to their situation. Generations come and go in silence. One might think they are afraid to awaken their masters, asleep alongside them. However, if you examine them closely you discover that this immobility is only superficial. A silent and constant agitation grips them. Life has entirely withdrawn into

the heart. They resemble those rivers which have disappeared underground; if you put your ear to the earth, you can hear the muffled sound of their waters; then they re-emerge intact a few leagues away. Such is the state of the Christian populations of Turkey under Ottoman rule.

Vacalopoulos describes how jihad imposed dhimmitude under Ottoman rule provided critical motivation for the Greek Revolution: [40]

The Revolution of 1821 is no more than the last great phase of the resistance of the Greeks to Ottoman domination; it was a relentless, undeclared war, which had begun already in the first years of servitude. The brutality of an autocratic regime, which was characterised by economic spoliation, intellectual decay and cultural retrogression, was sure to provoke opposition. Restrictions of all kinds, unlawful taxation, forced labour, persecutions, violence, imprisonment, death, abductions of girls and boys and their confinement to Turkish harems, and various deeds of wantonness and lust, along with numerous less offensive excesses – all these were a constant challenge to the instinct of survival and they defied every sense of human decency. The Greeks bitterly resented all insults and humiliations, and their anguish and frustration pushed them into the arms of rebellion. There was no exaggeration in the statement made by one of the beys of Arta, when he sought to explain the ferocity of the struggle. He said: 'We have wronged the rayas [dhimmis] (i.e. our Christian subjects) and destroyed both their wealth and honour; they became desperate and took up arms. This is just the beginning and will finally lead to the destruction of our empire.' The sufferings of the Greeks under Ottoman rule were therefore the basic cause of the insurrection; a psychological incentive was provided by the very nature of the circumstances.

The Devshirme and Harem Slavery

Those scholars [41] who continue to adhere to the roseate narrative of Ottoman "tolerance", the notion that an "...easy-going tolerance, resting on an assumption not only of superior religion, but also of superior power", which it is claimed, persisted in the Ottoman Empire until the end of the 17th century [42], must address certain basic questions. Why has the quite brutal Ottoman devshirme-janissary system, which, from the mid to late 14th, through early 18th centuries, enslaved and forcibly converted to Islam an estimated 500,000 to one million [43] non-Muslim (primarily Balkan Christian) adolescent males, been characterised, *reductio ad absurdum*, as a benign form of social advancement, jealously pined for by "ineligible" Ottoman Muslim families? For example:

The role played by the Balkan Christian boys recruited into the Ottoman service through the devshirme is well known. Great numbers of them entered the Ottoman military and bureaucratic apparatus, which for a while came to be dominated by these new recruits to the Ottoman state and the Muslim faith. This ascendancy of Balkan Europeans into the Ottoman power structure did not pass unnoticed, and there are many complaints from other elements, sometimes from the Caucasian slaves who were their main competitors, and more vocally from the old and free Muslims, who felt slighted by the preference given to the newly converted slaves. [44]

Scholars, who have conducted serious, detailed studies of the devshirme-janissary system, do not share such hagiographic views of this Ottoman institution. Speros Vryonis, Jr. for example, makes these deliberately understated, but cogent observations, [45]

...in discussing the devshirme we are dealing with the large numbers of Christians who, in spite of the material advantages offered by conversion to Islam, chose to remain members of a religious society which was denied first class citizenship. Therefore the proposition advanced by some historians, that the Christians welcomed the devshirme as it opened up wonderful opportunities for their children, is inconsistent with the fact that these Christians had not chosen to become Muslims in the first instance but had remained Christians...there is abundant testimony to the very active dislike with which they viewed the taking of their children. One would expect such sentiments given the strong nature of the family bond and given also the strong attachment to Christianity of those who had not apostatised to Islam...First of all the Ottomans capitalised on the general Christian fear of losing their children and used offers of devshirme exemption in negotiations for surrender of Christian lands. Such exemptions were included in the surrender terms granted to Jannina, Galata, the Morea, Chios, etc...Christians who engaged in specialised activities which were important to the Ottoman state were likewise exempt from the tax on their children by way of recognition of the importance of their labours for the empire...Exemption from this tribute was considered a privilege and not a penalty...

...there are other documents wherein their [i.e., the Christians] dislike is much more explicitly apparent. These include a series of Ottoman documents dealing with the specific situations wherein the devshirmes themselves have escaped from the officials responsible for collecting them...A firman...in 1601 [regarding the devshirme] provided the [Ottoman] officials with stern measures of enforcement, a fact which would seem to suggest that parents were not always disposed to part with their sons.

“..to enforce the command of the known and holy fetva [fatwa] of Seyhul [Shaikh]-Islam. In accordance with this whenever some one of the infidel parents or some other should oppose the giving up of his son for the Janissaries, he is immediately hanged from his door-sill, his blood being deemed unworthy.”

Vasiliki Papoulia highlights the continuous desperate, often violent struggle of the Christian populations against this forcefully imposed Ottoman levy: [46]

It is obvious that the population strongly resented...this measure [and the levy] could be carried out only by force. Those who refused to surrender their sons- the healthiest, the handsomest and the most intelligent- were on the spot put to death by hanging. Nevertheless we have examples of armed resistance. In 1565 a revolt took place in Epirus and Albania. The inhabitants killed the recruiting officers and the revolt was put down only after the sultan sent five hundred janissaries in support of the local sanjak-bey. We are better informed, thanks to the historic archives of Yerroia, about the uprising in Naousa in 1705 where the inhabitants killed the Silahdar Ahmed Celebi and his assistants and fled to the mountains as rebels. Some of them were later arrested and put to death..

Since there was no possibility of escaping [the levy] the population resorted to several subterfuges. Some left their villages and fled to certain cities which enjoyed exemption from the child levy or migrated to Venetian-held territories. The result was a depopulation of the countryside. Others had their children marry at an early age...Nicephorus Angelus...states that at times the children ran away on their own initiative, but when they heard that the authorities had arrested their parents and were torturing them to death, returned and gave themselves up. La Giulletiere cites the case of a young Athenian who returned from hiding in order to save his father's life and then chose to die himself rather than abjure his faith. According to the evidence in Turkish sources, some parents even succeeded in abducting their children after they had been recruited. The most successful way of escaping recruitment was through bribery. That the latter was very widespread is evident from the large amounts of money confiscated by the sultan from corrupt...officials. Finally, in their desperation the parents even appealed to the Pope and the Western powers for help.

Papoulia concludes: [47]

...there is no doubt that this heavy burden was one of the hardest tribulations of the Christian population.

Why was there never a significant "Shari'a-inspired" slavery abolition movement within the Ottoman states, comparable to the courageous and successful campaigns led by Western Christian statesmen (such as the Evangelical Parliamentarian, William Wilberforce [48]) in Europe and America, throughout the 19th century? Deliberately limited and ineffectual firmans issued by the Ottoman Porte failed to discourage East African slave trading [49], and even British naval power, so successful in the Atlantic and Indian oceans [50], was unable to suppress the Red Sea slave trade to the Ottoman Empire at the end of the 19th century. [51] Regardless, as Reuben Levy notes: [52]

At Constantinople, the sale of women slaves, both negresses and Circassians [likely for harem slavery and/or concubinage], continued to be openly practiced until...1908.

Turkey: From Failed Reforms to a Modern Jihad Genocide

Why did the Tanzimat reforms, designed to abrogate the Ottoman version of the system of dhimmitude, need to be imposed by European powers through treaties, as so-called 'capitulations' following Ottoman military defeats, and why even then, were these reforms never implemented in any meaningful way from 1839, until the collapse of the Ottoman Empire after World War I

Edouard Engelhardt [53] made these observations from his detailed analysis of the Tanzimat period, noting that a quarter century after the Crimean War (1853—56), and the second iteration of Tanzimat reforms, the same problems persisted:

Muslim society has not yet broken with the prejudices which make the conquered peoples subordinate...the raya [dhimmis] remain inferior to the Osmanlis; in fact he is not rehabilitated; the fanaticism of the early days has not relented...[even liberal Muslims rejected]...civil and political equality, that is to say, the assimilation of the conquered with the conquerors.

A systematic examination of the condition of the Christian rayas was conducted in the 1860s by British consuls stationed throughout the Ottoman Empire, yielding extensive primary source documentary evidence. [54]. Britain was then Turkey's most powerful ally, and it was in her strategic interest to see that oppression of the Christians was eliminated, to prevent direct, aggressive Russian or Austrian intervention. On July 22, 1860, Consul James Zohrab sent a lengthy report from Sarajevo to his ambassador in Constantinople, Sir Henry Bulwer, analysing the administration of the provinces of Bosnia and Herzegovina, again, following the 1856 Tanzimat reforms. Referring to the reform efforts, Zohrab states: [55]

The Hatti—humayoun, I can safely say, practically remains a dead letter...while [this] does not extend to permitting the Christians to be treated as they formerly were treated, is so far unbearable and unjust in that it permits the Mussulmans to despoil them with heavy exactions. False imprisonments (imprisonment under false accusation) are of daily occurrence. A Christian has but a small chance of exculpating himself when his opponent is

a Mussulman (...) Christian evidence, as a rule, is still refused (...) Christians are now permitted to possess real property, but the obstacles which they meet with when they attempt to acquire it are so many and vexatious that very few have as yet dared to brave them...Such being, generally speaking, the course pursued by the Government towards the Christians in the capital (Sarajevo) of the province where the Consular Agents of the different Powers reside and can exercise some degree of control, it may easily be guessed to what extent the Christians, in the remoter districts, suffer who are governed by Mudirs (governors) generally fanatical and unacquainted with the (new reforms of the) law..

In his comprehensive study of 19th century Palestinian Jewry under Ottoman rule Tudor Parfitt made these germane observations: [56]

Inside the towns, Jews and other dhimmis were frequently attacked, wounded, and even killed by local Muslims and Turkish soldiers. Such attacks were frequently for trivial reasons: Wilson [in British Foreign Office correspondence] recalled having met a Jew who had been badly wounded by a Turkish soldier for not having instantly dismounted when ordered to give up his donkey to a soldier of the Sultan. Many Jews were killed for less. On occasion the authorities attempted to get some form of redress but this was by no means always the case: the Turkish authorities themselves were sometimes responsible for beating Jews to death for some unproven charge. After one such occasion [British Consul] Young remarked: 'I must say I am sorry and surprised that the Governor could have acted so savage a part— for certainly what I have seen of him I should have thought him superior to such wanton inhumanity— but it was a Jew— without friends or protection— it serves to show well that it is not without reason that the poor Jew, even in the nineteenth century, lives from day to day in terror of his life'.

...In fact, it took some time [i.e., at least a decade after the 1839 reforms] before these courts did accept dhimmi testimony in Palestine. The fact that Jews were represented on the meclis [provincial legal council] did not contribute a great deal to the amelioration of the legal position of the Jews: the Jewish representatives were tolerated grudgingly and were humiliated and intimidated to the point that they were afraid to offer any opposition to the Muslim representatives. In addition the constitution of the meclis was in no sense fairly representative of the population. In Jerusalem in the 1870s the meclis consisted of four Muslims, three Christians and only one Jew— at a time when Jews constituted over half the population of the city...Some years after the promulgation of the hatt—i—serif [Tanzimat reform edicts] Binyamin [in an eyewitness account from Eight Years in Asia and Africa from 1846 to 1855, p.44] was still able to write of the Jews— 'they are entirely destitute of every legal protection'...Perhaps even more to the point, the courts were biased against the Jews and even when a case was heard in a properly assembled court where dhimmi testimony was admissible the court would still almost invariably rule against the Jews. It should be noted that a non—dhimmi [eg., foreign] Jew was still not permitted to appear and witness in either the mahkama [specific Muslim council] or the meclis.

The modern Ottomanist Roderick Davison acknowledges that the reforms failed, and offers an explanation based on Islamic beliefs intrinsic to the system of dhimmitude: [57]

No genuine equality was ever attained...there remained among the Turks an intense Muslim feeling which could sometimes burst into an open fanaticism...More important than the possibility of fanatic outbursts, however, was the innate attitude of superiority which the Muslim Turk possessed. Islam was for him the true religion. Christianity was only a partial revelation of the truth, which Muhammad finally revealed in full; therefore Christians were not equal to Muslims in possession of truth. Islam was not only a way of worship, it was a way of life as well. It prescribed man's relations to man, as well as to God, and was the basis for society, for law, and for government. Christians were therefore inevitably considered second—class citizens in the light of religious revelation—as well as by reason of the plain fact that they had been conquered by the Ottomans. This whole Muslim outlook was often summed up in the common term gavur (or kafir), which means 'unbeliever' or

'infidel', with emotional and quite uncomplimentary overtones. To associate closely or on terms of equality with the gavur was dubious at best. 'Familiar association with heathens and infidels is forbidden to the people of Islam,' said Asim, an early nineteenth-century historian, 'and friendly and intimate intercourse between two parties that are one to another as darkness and light is far from desirable'...The mere idea of equality, especially the anti-defamation clause of 1856, offended the Turks' inherent sense of the rightness of things. 'Now we can't call a gavur a gavur', it was said, sometimes bitterly, sometimes in matter-of-fact explanation that under the new dispensation the plain truth could no longer be spoken openly. Could reforms be acceptable which forbade calling a spade a spade?...The Turkish mind, conditioned by centuries of Muslim and Ottoman dominance, was not yet ready to accept any absolute equality...Ottoman equality was not attained in the Tanzimat period [i.e., mid to late 19th century, 1839–1876], nor yet after the Young Turk revolution of 1908...

Indeed, an influential member of the Ottoman Committee of Union and Progress, Sheik Abd-ul-Hack, a 'progressive' Young Turk, made this revealing declaration writing in a Parisian Muslim review, (*Le Mecherouttiete*, edited by Sherif Pasha, Paris), in August, 1912: [58]

Yes! The Musulman religion is in open hostility to all your world of progress. Understand, you European observers, that a Christian, whatever his position may be, by the mere fact of his being a Christian is regarded by us as a blind man lost to all sense of human dignity. Our reasoning with regard to him is as simple as it is definitive. We say: the man whose judgment is so perverted as to deny the existence of a one and only God, and to make up gods of different sorts, can only be the meanest expression of human degradation; to speak to him would be a humiliation for our intelligence and an insult to the grandeur of the Master of the Universe. The presence of such miscreants among us is the bane of our existence; their doctrine is a direct insult to the purity of our faith; contact with them is a defilement of our bodies; any relation with them a torture to our souls. Though detesting you, we have condescended to study your political institutions and your military organisation. Over and above the new weapons that Providence procures for us through your agency, you have yourselves rekindled the inextinguishable faith of our heroic martyrs. Our Young Turks, our Babis, our new Brotherhoods, all our sects, under various forms, are inspired by the same idea; the same necessity of moving forward. Towards what end? Christian civilisation? Never! Islam is the one great international family. All true believers are brothers. A community of feeling and of faith binds them in mutual affection. It is for the Caliph to facilitate these relations and to rally the Faithful under the sacerdotal standard.

Throughout the Ottoman Empire, particularly within the Balkans, and later Anatolia itself, attempted emancipation of the dhimmi peoples provoked violent, bloody responses against those 'infidels' daring to claim equality with local Muslims. The massacres of the Bulgarians (in 1876) [59], and more extensive massacres of the Armenians (1894–96) [60], culminating in a frank jihad genocide against the Armenians during World War I [61], epitomise these trends. Enforced abrogation of the laws of dhimmitude required the dismantling of the Ottoman Empire. This finally occurred after the Balkan Wars of independence, and during the European Mandate period following World War I.

Conclusion

Erdogan's efforts to further re-Islamise Turkey are entirely consistent with a return to Turkey's Ottoman past as the heartland of an Empire established by jihad, and governed by the Shari'a. Indeed, both the current Erdogan administration, and the regime headed by the overtly pious Muslim Erbakan, a decade ago, reflect the advanced state of Islam's "socio-political reawakening" in Turkey since 1950–1960, when the Menderes government - pandering to Muslim religious sentiments for electoral support re-

established the dervish orders, and undertook an extensive campaign of mosque construction [62]. Despite Frank Gaffney's apparent failure to understand this continuum of related historical phenomena, I share his acute concerns. And ultimately, we agree that Turkey's bid to join the EU should be rejected.

Sources:

1. Michael the Syrian, *Chronique de Michel Le Syrien*, Paris, 1899-1906, Vol. 3 p. 176, French translation by Jean-Baptiste Chabot; English translation in Bat Ye'or, *The Decline of Eastern Christianity Under Islam*, pp. 170-171.
2. Michael the Syrian, *Chronique*, Vol. 3 p. 176; English translation in Bat Ye'or, *The Decline of Eastern Christianity Under Islam*, Cranbury, New Jersey: Associated University Presses, 1996, p. 55.
3. See the numerous primary sources cited in each of: Dimitar Angelov, "Certains Aspects de la Conquete Des Peuples Balkaniques par les Turcs" *Byzantinoslavica*, 1956, Vol. 17, pp. 220-275. English translation in, A.G. Bostom, *The Legacy of Jihad*, Amherst, N.Y.: Prometheus Books, 2005, pp. 462-517; Apostolos E. Vacalopoulos. *Origins of the Greek Nation- The Byzantine Period, 1204-1461*. New Brunswick, New Jersey: Rutgers University Press, 1970.; Speros Vryonis. *The Decline of Medieval Hellenism in Asia Minor and the Process of Islamization from the Eleventh through the Fifteenth Century*, Berkeley, CA: University of California Press, 1971 (Paperback, 1986).
4. Bat Ye'or, *The Decline of Eastern Christianity Under Islam*, p. 55-56.
5. Paul Wittek. *The Rise of the Ottoman Empire*. London, The Royal Asiatic Society of Great Britain and Ireland, 1938 (reprinted 1966), p. 18.
6. Speros Vryonis. "Nomadization and Islamization in Asia Minor" , *Dumbarton Oaks Papers*, Vol.29, 1975, p. 49.
7. Vryonis, "Nomadization and Islamization in Asia Minor" , p. 49
8. Paul Wittek. *The Rise of the Ottoman Empire*. London, p. 14. Wittek (also p. 14) includes this discussion, with a block quote from Ahmedî's text,
The chapter Ahmedî devotes in his Iskender-name to the history of the Ottoman sultans, the ancestors of his protector Sulayman Tshlebi, son of Bayazid I, begins with an introduction in which the poet solemnly declares his intention of writing a Ghazawat-name, a book about the holy war of the Ghazis. He poses the question "Why have the Ghazis appeared at last?" And he answers: "Because the best always comes at the end. Just as the definitive prophet Mohammed came after the others, just as the Koran came down from heaven after the Torah, the Psalms and the Gospels, so also the Ghazis appeared in the world at the last, " those Ghazis the reign of whom is that of the Ottomans. The poet continues with this question: "Who is a Ghazi?". And he explains: "A Ghazi is the instrument of the religion of Allah, a servant of God who purifies the earth from the filth of polytheism (remember that Islam regards the Trinity of the Christians as a polytheism); the Ghazi is the sword of God, he is the protector and refuge of the believers. If he becomes a martyr in the ways of God, do not believe that he has died- he lives in beatitude with Allah, he has eternal life".
9. Halil Inalcik. *The Ottoman Empire-The Classical Age, 1300-1600*, London: Weidenfeld and Nicolson, 1973, p. 6.
10. Vacalopoulos. *Origins of the Greek Nation- The Byzantine Period*, p.66.
11. Speros Vryonis. "The Experience of Christians under Seljuk and Ottoman Domination, Eleventh to Sixteenth Century", in *Conversion and Continuity: Indigenous Christian Communities in Islamic lands, Eighth to Eighteenth Centuries*, edited by Michael Gervers and Ramzi Jibran Bikhazi, Toronto: Pontifical Institute of Medieval Studies, 1990, p. 201
12. Vacalopoulos. *Origins of the Greek Nation- The Byzantine Period*, pp. 61-62.
13. Angelov, "Certains Aspects de la Conquete Des Peuples Balkaniques par les Turcs", pp. 220-275; Vacalopoulos. *Origins of the Greek Nation- The Byzantine Period*, pp. 69-85.
14. Vacalopoulos. *Origins of the Greek Nation- The Byzantine Period*, p. 77.
15. Vacalopoulos. *Origins of the Greek Nation- The Byzantine Period*, p. 73.
16. Angelov, "Certains Aspects de la Conquete Des Peuples Balkaniques par les Turcs", pp. 236, 238-239
17. Joseph Hacker, "Ottoman Policy Toward the Jews and Jewish Attitudes toward the Ottomans during the Fifteenth Century", pp. 117-126, in *Christians and Jews in the Ottoman empire : the functioning of a plural society / edited by Benjamin Braude and Bernard Lewis* (New York : Holmes & Meier Publishers), 1982, p. 117.
18. Hacker, "Ottoman Policy", p. 120.
19. Ivo Andric, *The Development of Spiritual Life in Bosnia Under the Influence of Turkish Rule*, (1924 doctoral dissertation), English translation, Durham, North Carolina, 1990, Chaps. 2 and 3, pp. 16-38.
19. <http://51.051.3.731subf16:MDolluo97171734813943>
20. Andric, *Bosnia Under the Influence of Turkish Rule*, pp. 23-24
21. Andric, *Bosnia Under the Influence of Turkish Rule*, pp. 24-25
22. Andric, *Bosnia Under the Influence of Turkish Rule*, p.78 note 2
23. Andric, *Bosnia Under the Influence of Turkish Rule*, p. 25
24. Andric, *Bosnia Under the Influence of Turkish Rule*, pp. 25-26
25. Andric, *Bosnia Under the Influence of Turkish Rule*, pp. 26, 80 note 11
26. Andric, *Bosnia Under the Influence of Turkish Rule*, pp. 26-27
27. Andric, *Bosnia Under the Influence of Turkish Rule*, p. 30
28. Andric, *Bosnia Under the Influence of Turkish Rule*, p.30
29. Andric, *Bosnia Under the Influence of Turkish Rule*, pp. 30-31.
30. Andric, *Bosnia Under the Influence of Turkish Rule*, p.38.
31. Jovan Cvijic, *La Peninsule Balkanique*, Paris, 1918, p. 389; Translated excerpt in Bat Ye'or, *Islam and Dhimmitude-Where Civilizations Collide*, Cranbury, New Jersey: Associated University Presses, 2001, p. 108.
32. Paul Ricaut. *The Present State of the Greek and Armenian Churches*, Anno Christi 1678, London, 1679 (reprinted, New York, 1970), pp. 1-30.
33. Vryonis, *The Decline of Medieval Hellenism in Asia Minor*, pp. 340-43, 351-402.
34. Vryonis, *The Decline of Medieval Hellenism in Asia Minor*, p. 342.
35. Demetrios Constantelos. "The 'Neomartyrs' as Evidence for Methods and Motives Leading to Conversion and Martyrdom in the Ottoman Empire" *The Greek Orthodox Theological Review*, 1978, Vol. 23, p. 228.
36. Constantelos. "The 'Neomartyrs' ", pp. 217-218.
37. Constantelos. "The 'Neomartyrs' ", p. 226.
38. Constantelos. "The 'Neomartyrs' ", p. 227.
39. Abdolonyme Ubicini, *Lettres Sur La Turquie*, Vol. 2, Paris, 1854, p. 32; English translation in Bat Ye'or, *The Decline of Eastern Christianity*, p. 181
40. A.E. Vacalopoulos. "Background and Causes of the Greek Revolution", *Neo-Hellenika*, 1975, pp.54-55.
41. Stanford Shaw. *History of the Ottoman Empire and Modern Turkey*, 2 Vols, Cambridge, 1976. See for example, Vol.1, pp.

19, 24.

42. Bernard Lewis. *What Went Wrong? Western Impact and Middle Eastern Response*. Oxford University Press, 2002, pp. 114-115.

43. A.E. Vacalopoulos. *The Greek Nation, 1453-1669*, New Brunswick, New Jersey, Rutgers University Press, 1976, p.41; Vasiliki Papoulia, "The Impact of Devshirme on Greek Society", in *War and Society in East Central Europe*, Editor-in-Chief, Bela K. Kiraly, 1982, Vol. II, pp. 561-562.

44. Bernard Lewis, *The Muslim Discovery of Europe*, pp.190-191. Lewis also describes the devshirme solely as a form of social advancement for Balkan Christians in both the 1968 (p.5) and 2002 (also p. 5) editions of *The Emergence of Modern Turkey* (Oxford University Press):

...the Balkan peoples had an enormous influence on the Ottoman ruling class. One of the most important channels was the devshirme, the levy of boys, by means of which countless Balkan Christians entered the military and political elites of the Empire.

45. Speros Vryonis, Jr. "Seljuk Gulams and Ottoman Devshirmes", *Der Islam* Vol. 41, 1965, pp. 245-247.

46. Vasiliki Papoulia, "The Impact of Devshirme on Greek Society", pp. 554-555.

47. Vasiliki Papoulia, "The Impact of Devshirme on Greek Society", p. 557.

48. Oliver Warner, *William Wilberforce and His Times*, London, 1962.

49. J.B. Kelly, *Britain and the Persian Gulf*, Oxford, 1968, pp. 588-589.

50. Christopher Lloyd, *The Navy and The Slave Trade*, London, 1949.

51. <http://51.927.4.463subf18:EF1qxma713369592384ΠΙ>

52. <http://51.517.-0.083plusf95:QEopjnn3658931545263H>

53. Edouard Engelhardt, *La Turquie et La Tanzimat*, 2 Vols., 1882, Paris, Vol. p.111, Vol. 2 p. 171; English translation in, Bat Ye'or. *Islam and Dhimmitude— Where Civilizations Collide*, Fairleigh Dickinson University Press, 2001, pp. 431—342.

54. Reports from Her Majesty's Consuls Relating to the Condition of the Christians in Turkey, 1867 volume, pp. 5,29. See also related other reports by various consuls and vice—consuls, in the 1860 vol., p.58; the 1867 vol, pp. 4,5,6,14,15; and the 1867 vol., part 2, p.3 [All cited in, Vahakn Dadrian. Chapter 2, 'The Clash Between Democratic Norms and Theocratic Dogmas', *Warrant for Genocide*, New Brunswick, New Jersey, Transaction Publishers, pp. 26—27, n. 4]; See also, extensive excerpts from these reports in, Bat Ye'or, *The Decline of Eastern Christianity*, pp. 409—433.

55. Excerpts from Bulwer's report reproduced in, Bat Ye'or, *The Decline of Eastern Christianity*, pp. 423—426

56. Tudor Parfitt, *The Jews of Palestine*, Suffolk (UK), 1987, Boydell Press, pp. 168, 172—73.

57. Roderick Davison. 'Turkish Attitudes Concerning Christian—Muslim Equality in the Nineteenth Century' *American Historical Review*, Vol. 59, pp. 848, 855, 859, 864.

58. Quoted in, Andre Servier. *Islam and the Psychology of the Musulman*, translated by A. S. Moss—Blundell, London, 1924, pp. 241—42.

59. Januarius A. MacGahan. *The Turkish atrocities in Bulgaria*. (reprinted) Geneva, 1976; Yono Mitev. *The April Uprising and European Public Opinion*, Sofia Press, 1978; Philip Shashko. 'The Bulgarian massacres of 1876 reconsidered: reaction to the April uprising or premeditated attack?' *Etudes Balkaniques*, 1986, Vol. 22, pp. 18—25.

60. Vahakn Dadrian. *The History of the Armenian Genocide*, Providence, Rhode Island: Bergahn Books, 1995, pp. 113—172.

61. Dadrian, *History of the Armenian Genocide*, pp. 219—234.

62. Speros Vryonis, Jr. *The Mechanism of Catastrophe—The Turkish Pogrom of September 6—7, 1955, and The Destruction of the Greek Community of Istanbul*, New York, Greekworks.com, 2005, p. 555.

1.19 The fall of the Christian state of Lebanon

Lebanon, a fake state, a fake democracy which we pretend exists while in fact it is a Jihadist battleground, administered by terrorised dhimmi notables in the service of their Muslim masters. Only around 25% are now Christian, down from 79% in 1911. How did it come to this? And more importantly, how could France, the rest of the EU and the United States let Christian Lebanon fall?

Preface

Christians in the Middle East are fast disappearing from the area. The Lebanese Christians, who constitute the only influential Christian community in the Middle East, are fast declining in numbers and power.

This paper discusses the history of the Christian minority in Lebanon, and the decline of their hold on political power, in favour of the Muslim majority. It will focus on the Christian contribution to the cause of the civil war and the Ta'if accord which brought an end to that war. The paper will be divided into eight chapters. The paper will start by giving a brief overview of the special influential Christian position in the 19th century and its survival during the 1860 civil war with the Muslim Druzes. Then it will discuss the role of Christians in the formation of the Lebanese Republic and Lebanese independence.

Christian nationalism is looked at in depth, in order to discover the roots of the civil war with the Muslims. Moreover, it was the existence of many different ideological Christian parties that incited the civil war.

This paper will concentrate on the role of Christians in the civil war of 1975-1990. The main focus will also be on the causes of the decay of Christian status in Lebanon. In 1990, the civil war 'is said to have' ended* following the Christian Army's General Michel Aoun defeated by the Syrian military. The paper will show how at the end of the civil war, Christians were perceived as losers and Muslims as winners of the civil war. It will demonstrate that the role of the Lebanese Christians has become negligible and it is a matter of time when the Christians will surrender their remaining powers to their Muslims counterparts.

*The claim that there was an end to the civil war is vigorously rejected by many because 60,000 Syrian soldier and their secret service continue to occupy Lebanon together with 5,000 Iranian Revolutionary Guards, and thousands of Palestinian from Fatah, Popular Front "Jabha el Sha'beyeh" and other terrorists organisations operate and have a freehand in Lebanon.

Chapter 1: Christian Status prior to 1945

The birth of Christianity in Lebanon and the advent of Islam

Despite the fact that Islam prevailed 600 years after Christianity, the Middle East is now overwhelmingly populated with Muslims, with the Christian minority comprising about 14 million Christians or 10% of the population.

The Christians, mainly Maronite, have existed in the area, of what is known today as Lebanon since the fourth century, and moved in large numbers to Mount Lebanon (Jabal Loubnan) in the eighth and ninth centuries. The Maronites[44] took their name from John Maron, a learned monk who was Patriarch of Antioch in the 8th century. The Muslim

(Shiite, Sunni and the Druze sects) community emerged in Mount Lebanon at a later stage.

Marguerite Johnson traces the heritage of the Lebanese Christians directly to Jesus. By the 5th century, Christianity became the dominant religion in the area of Lebanon. After the forceful advent of Islam beginning in the 7th Century, many Christian communities along the coast of Lebanon converted to Islam. However, the mountains of Lebanon remained a Christian haven.

Peter Kolvenbach saw that the history of Lebanon's Christians and the history of Lebanon were so intertwined that without the Christians, and especially its Maronite sect, there would not have been a Lebanon and without Lebanon the destiny of Christians in the Middle East would have been different.

The 1860 civil war between the Maronites and the Druze^[45] erupted when Maronite peasants revolted against their landlords who were given land ownership by the Ottoman Empire. The Druze launched a pre-emptive strike against villages in the north with the help of Turkish officials. Engine Akarli mentioned that few Shiites and Sunnites, joined the Druze against the Maronites and the Greek Orthodox Christians (even though the Greek Orthodox had been friendly with the Druze before this incident). Akarli said that the Ottoman troops themselves failed to stop the Druze attacks due to their unwillingness to fight fellow Muslims.

The 1860 civil war left more than 15,000 Christians dead and more than ten thousand homeless. Later, however, the Ottoman foreign ministry imprisoned the Druze leaders involved in the war, and even punished a number of Ottoman officers and officials for having failed to prevent the 1860 civil war.

This was the first Lebanese civil war between Christians and Muslims. It is important to note that the Maronites had been subject to persecution by the Turkish rulers over centuries. However, the 1860 war was the first of its kind between the Lebanese people themselves.

It is hard to ignore the role of the Maronite Church in Lebanon in any study of the Christian political status in Lebanon. The role of the Maronite Church in Lebanon focused on strengthening the status of Christians during the Ottoman rule. Following the purge of the Druze leadership by the Turkish authorities, the Maronite Church emerged as the only significant institution in the Lebanese Mountains. The Church's special position encouraged it to aspire to greater influence. It was very conscious not only of the overwhelming numerical superiority of the Christians over the Druze in the Mountains, but also of the greater educational and material advances of the Maronites.

The 1860 events had created uproar in Europe, particularly in France. Although the Turkish Empire took swift action against the Druze, a large French force landed in Beirut for the purpose of protecting the Maronites and other Christians. Foreign intervention by the French persuaded the Ottoman Empire to form a small force in Mount Lebanon, which comprised of 160 men, 97 Maronites, 40 Druzes, 16 Greek Orthodox, 5 Greeks Catholics and 2 Muslims. Later on, Mount Lebanon was able to mount a military force of 10,000 men where Arabic replaced Turkish as the language of command and instruction. This development helped to strengthen the Christians who were the main core of the force. Moreover Christians were happy to be given a sort of autonomy by the Muslim Turkish Empire.

John Spagnolo wrote that in this particular period of 1860, international communities were looking after the interests of communities within Lebanon of a similar faith. For example, Russia wanted three seats to be reserved for the Greek Orthodox. In its turn,

France wanted the Maronite representation to be increased on the administrative council of the *mutasarrifiyya*.

The protection of Christianity by the international community helped increase its survival chances in the midst of the Muslim conquest in the Middle East region. Marguerite Johnson noted that from the Byzantines and the Crusades in the Middle Ages to the French and Americans in 1984, the Christians have repeatedly relied on foreign powers to guarantee their survival and political power.

Because this section does not give sufficient information on the subject, the following material is inserted from another article in this site entitled "Phoenician Christians[46]:"

Advent of Islam and Christians of the East

By Dr. George Khoury, Catholic Information Network (CIN)

The Arab Prophet

During his lifetime, Muhammad reacted differently at different times to Jews and Christians depending on the reception they accorded him and also on his dealings with Christian states. At first, Muhammad favoured the Christians and condemned the Jews because they acted as his political opponents. This is reflected in Sura 5:85 : Thou wilt surely find the most hostile of men to the believers are the Jews and the idolaters; and thou wilt surely find the nearest of them in love to the believers are those who say, "We are nasara"; that, because some of them are priests and monks, and they wax not proud. (Sura 5:85; see also Sura 2:62; 5:69; 12:17).

Later he turned against them and attacked their belief that Jesus was God's son (Sura 9:30), denounced the dogma of the Trinity (4:17), and pointed to the division of the Christians amongst themselves (5:14). Most often though, Muhammad adopted an intermediate position: the Christians are mentioned together with the Jews as "People of the Book," while their claim of possessing the true religion is refuted. (See Sura :114; 3:135, 140; 9:29). And they will be punished by God.

Fight those who believe not in God and the Last Day and do not forbid what God and His Messenger have forbidden--such men as practice not the religion of truth, being of those who have been given the Book until they pay the tribute out of hand...That is the utterance of their mouths, conforming with the unbelievers before God. God assail them! How they are perverted! They have taken their rabbis and their monks as lords apart from God, and the Messiah's, Mary's son, and they were commanded to serve but One God; there is no God but He (Suras 29-31).

During his lifetime Muhammad settled his relations with Christian political entities by treaties whereby they were allowed to keep their churches and priests, and also had to pay tribute and render some services to Muslims.

During the period of two hundred years following Muhammad's death, the attitude of Islam to Christianity remained generally similar to what it had been during the closing years of the prophet's life; Christianity was regarded as parallel to Islam, but corrupt. To this extent, Islam was superior. The outstanding consequence of this period, however, was the impressing on the masses of ordinary Muslims the view that Christianity was corrupt and unreliable. This, together with the death penalty for apostasy, kept the Muslims in lands ruled by the scimitar effectively insulated from Christian propaganda. Let us view this more closely, considering first the period immediately following the death of the prophet in 633 A.D.

The Covenant of Umar I (634-644)

The year after the death of the prophet in Arabia, the stage was set for a full-dress invasion of neighbouring lands. In 634 the Arab forces won a decisive victory at Ajnadayn, and Damascus surrendered to Khalid ibn-al-Waleed in September 635. Jerusalem capitulated in 638 and Caesarea fell in 640, and between 639 and 646 all Mesopotamia and Egypt were subjugated. The last links connecting these Christian lands with Rome and Byzantium were severed; new ones with Mecca and Medina were forged. In about a decade the Muslim conquests changed the face of the Near East; in about a century they changed the face of the civilised world. Far from being peripheral, the victories of Islam proved to be a decisive factor in pruning life and growth of Eastern Christianity.

After the Arab invasions have stopped, there arose the problem of administering these new lands. Umar ibn-al-Khattab (634-644) was the first man to address himself to this problem. Despite the fact that later additions were made to it, it is agreed that the surviving covenant represents Umar's own policy. The conquered peoples were given a new status, that of dhimmis (or ahl-al-Dhimmi). As dhimmis they were subject to tribute which comprised both a land-tax (later kharaj) and a poll-tax (later jizyah) while they enjoyed the protection of Islam and were exempt from military duty, because only a Muslim could draw his sword in defence of Islam.

How Greek Science Passed to the Arabs

The Christian community, educated and civilised in the multicultural Byzantine east, was the catalyst that brought modern education and learning to the invading Arab tribes. By translating the works of the Greeks and other early thinkers and by their own contribution, the Christian community played a vital role in transmitting knowledge. Later on, that flourished in the major Arab contribution to the fields of science and art. Some names of Eastern non-Arab Christians that should be remember for this often forgotten and unappreciated fact are:

Yusuf al-Khuri al-Qass, who translated Archemides lost work on triangles from a Syriac version. He also made an Arabic of Galen's *De Simplicibus temperamentis et facultatibus*. Qusta Ibn Luqa al-Ba'Ibakki, a Syriac Christian, who translated Hypsicles, Theodosius' *Sphaerica*, Heron's *Mechanics*, Autolyclus Theophrastus' *Meteora*, Galen's catalog of his books, John Philoponus on the *Phyisics of Aristotle* and several other works. He also revised the existing translation of Euclid. Abu Bishr Matta Ibn Yunus al-Qanna'i, who translated Aristotle's *Poetica*. Abu Zakariya Yahya Ibn 'Adi al-Mantiqi, a monophysite, who translated medical and logical works, including the *Prolegomena of Ammonius*, an introduction to Porphyry's *Isagoge*. Al-Hunayn Ibn Ipahim Ibn al-Hasan Ibn Khurshid at-Tabari an-Natili, and the monophysite Abu 'Ali 'Isa Ibn Ishaq Ibn Zer'a. Yuhanna Ibn Batriq, an Assyrian, who produced the *Sirr al-asrar*. 'Abd al-Masih Ibn 'Aballah Wa'ima al-Himse, also an Assyrian, who translated the *Theology of Aristotle* (but this was an apidged paraphrase of the *Enneads* by Plotinus). Abu Yahya al-Batriq, another Assyrian, who translated Ptolemy's *Tetrabiblos*. Jipa'il II, son of Bukhtyishu' II, of the prominent Assyrian medical family mentioned above, Abu Zakariah Yahya Ibn Masawaih, an Assyrian Nestorian. He authored a textbook on *Ophthalmology*, *Daghal al-'ayn* (The Disease of the eye). Hunayn Ibn Ishaq, an Assyrian. Sergius of Rashayn, "a celepated physician and philosopher, skilled in Greek and translator into Syriac of various works on medicine, philosophy, astronomy, and theology". Other Monopysite translators were Ya'qub of Surug, Aksenaya (Philoxenos), an alumnus of the school of Edessa, Mara, bishop of Amid.

For further details, see book review: [How Greek Science Passed to the Arabs\[47\]](#)

The Umayyads

The Umayyad caliphs (661-750) lived as Arabs first and Muslim second. As a consequence, their era was liberal in both political and religious matters. However, during the rule of the Umayyad caliph Umar II (717-720) there arose the concern to summon conquered peoples to Islam and to create favorable conditions allowing an equitable or better participation of all Muslims in the social and political life of the community. Umar was shocked that non-Muslims should exercise authority over Muslims, and tried to prevent it. In Egypt he removed some of the Coptic officials from their positions and replaced them by Muslims, and it seems that he applied this policy throughout the whole empire. He wrote to the governor of Egypt: "I do not know a secretary or official in any part of your government who was not a Muslim but I dismissed him and appointed in his stead a Muslim." This policy of Umar II was translated during the later Abbasid era into a major program due to the discontent of many Muslims with the excesses and corruption of the liberal Umayyad caliphs and the frustration that non-Arabian Muslims, especially Persian Muslims, felt on being treated as second-class citizens. Also due to external political circumstances and to the unruly and socially disruptive conduct of some Christian groups, Umar II reacted with some vehemence against the Christians. He abrogated the jizyah for any Christian who converted, and imposed other demeaning restrictions:

Christians may not be witnesses against Muslims. They may not hold public office. They may not pray aloud or sound their clappers. They may not wear the qaba', nor ride on a saddle. A Muslim who would kill a Christian would be liable to a fine, not death. He abolished the financial arrangements whereby churches, convents and the charities were maintained. Despite these exceptions, Umayyad rule was characterised on the whole by political as well as religious and intellectual liberalism. That is why Umayyad caliphs, with the exception of Umar II, did not press for or even favour, conversion to the Islamic faith.

The Abbasid Era (750-1258)

With the Umayyad's fall in 750 the hegemony of Syria in the world of Islam ended and the glory of the country passed away. The coming to power of the Abbasid dynasty marked a radical change in the balance of power within the caliphate. In a vast and complex body such as the caliphate had now become, there was an intricate network of party interests, sometimes conflicting and sometimes coinciding. The recovery of the equilibrium was thus no simple matter; and for the whole of this century, (i.e., the 8th century) the caliphs had as a prominent aim the framing of a policy which would rally the majority of the inhabitants behind it. In an Islamic environment, it was inevitable that such a political struggle should have religious implications. First, and vis-a-vis other Muslim groups, the Abbasid caliphate touched a number of risings of Kharajites who refused to submit to the new rule. There were also other opponents who questioned the legitimacy of the Abbasids' claim to the caliphate. As for the Christians as well as for the rest of ahl-al-Dhimmi, the Abbasid era would prove to be less tolerant of non-Muslims and would either re-enact old anti-Christian legislation or create new restrictions.

The Abbasids chose Baghdad for headquarters, though for a short period of time al-Mutawakkil (847-861) transferred his seat back from Iraq to Damascus (885). As the Melkites^[48] were few in numbers in Mesopotamia it was the Nestorians and the Jacobites who under Abbasid rule shared more strongly in the literary life of the country and brought greater contributions. The beginning of the Abbasid caliphate until the reign of al-Mutawakkil (847-861) marked the zenith of the Nestorian Church from mid 8th century to mid 9th century. This prodigious success was made possible by the great number of zealous and educated monks, formed by the many schools existing at the time. In Baghdad itself, there were apparently many important monasteries, groups of

professors, and students. There were, for example, the school of Deir Kalilisu and Deir Mar Fatyun and the school of Karh.

In the last two schools medicine and philosophy were taught along with the sacred disciplines. Christian physicians and especially scribes exerted some kind of tutelage within the Nestorian Church, and tried their best to obtain for their community a more benevolent legislation from Muslim rulers. Though the Abbasids showed tolerance towards the other religious, non-Muslim groups, still their tolerance was displayed mostly vis-a-vis some of their coreligionists who lived on the margins of traditional Islam.

The Christians, especially the Melkites who lived in the eastern provinces of the empire, had much to endure. Before, al-Mutawakkil Abu Gafar al-Mansur (754-775) imposed many vexing measures upon the Christians. In 756, he forbade Christians to build new churches, to display the cross in public, or to speak about religions with Muslims. In 757, he imposed taxes on monks, even on those who lived as hermits, and he used Jews to strip sacristies for the treasury. In 759, he removed all Christians from positions in the treasury. In 766 he had the crosses on top of the churches brought down, forbade every nocturnal liturgical celebration and forbade the study of any language other than Arabic. In 722, he required both Jews and Christians to exhibit an external sign to distinguish them from other believers. **Abu Gafar al-Mansur also put in prison, for different reasons, the Melkite Patriarch Theodoret,** the Patriarch Georges, and the Nestorian Catholicos James. Al-Mahdi (775-785) intensified the persecution and had all the churches built since the Arab conquest destroyed. The Christian tribes of Banu Tanuh, which counted 5000 fighters, were forced to embrace Islam. Angered by the defeats he incurred at the hands of the Byzantines, al-Mahdi sent troops to Homs in Syria, to have all the Christians abjure their faith. However, many of these laws were not enforced. For example, when Umar II tried to dismiss all dhimmis from government services, such confusion resulted that the order was ignored.

The Barmakid viziers, of Turkish origin, who were the strong arm of the Abbasid caliphs, seem to have manifested a certain measure of benevolence towards ahl-al-Dhimmi (the tributaries) and especially towards the Christians. It is only at the end of the rule of Harun al-Rahid (786-809), i.e., after the disgrace of the Barmakids, that some measures were taken against the Christians. Harun al-Rashid re-enacted some of the anti-Christian and anti-Jewish measures introduced by Umar II (717-720). In 807, he ordered all churches erected since the Muslim conquest demolished. He also decreed that members of tolerated sects should wear a prescribed garb. But evidently much of this legislation was not enforced. Under his son al-Ma'mun (813-833) there was in 814 a general persecution in Syria and in Palestine. Many Christians and church dignitaries escaped into Cyprus and into Byzantine territories. Conditions under al-Watheq (842-847) did not improve and were sad indeed for the Christians. Under al-Mutawwakil (847-861) there was intensification of discontent on the part of Christians due to harsh conditions imposed on them. In 850 and 854 al-Mutawwakil revived the discriminatory legislation and supplemented it by new features, which were the most stringent ever issued against the minorities. Christians and Jews were enjoined to affix wooden images of devils to their houses, level their graves even with the ground, wear outer garments of yellow colour, and ride only on mules and asses with wooden saddles marked by two pomegranates-like balls on the cantle. Basing their contention on a Qur'anic charge that the Jews and the Christians had corrupted the text of their scriptures (Surs. 2:70; 5:16-18), the contemporary jurists ruled that no testimony of a Jew or Christian was admissible against a Muslim.

Legally speaking, the law put the male dhimmi below the male Muslim in nearly every way. It protected his life and property but did not accept his evidence. Eight acts put the dhimmi outside the law: conspiring to fight the Muslims, copulation with a Muslim woman, an attempt to marry one, an attempt to turn Muslim from his religion, robbery of a Muslim on the highway, acting as a spy or a guide to unbelievers, or the killing of a

Muslim. However, despite these stringent laws, the social status of Christians was not that bleak. The consequences of this anti-Christian legislation were mitigated to a certain degree by the number and influence of some Christians in prestigious and vital professions, such as in medicine and high positions of government; e.g., Abu I-Hasan Sa'id ibn Amr-ibn-Sangala, who occupied the position of secretary under the Caliph al-Radi (934-40), and who was as well appointed as special secretary for the two sons of the Caliph in 935, and also Minister of Expenditure, and who rendered inestimable services to the Christians. Because Islam prohibits the practice of usury to Muslims, Christians exercised a certain monopoly on the trades of goldsmith, jeweller, and money-lender. Consequently, many Christians were rich and this stirred further feelings of jealousy against them. On the whole, relations between Muslims and Christians were peaceful and unfair laws were not always enforced.

However, the Christians could not help but feel and endure the stigma of inferiority. Even the literature of Islamo-Christian controversy should not mislead us on their true condition in the land of Islam. The tolerance they enjoyed was not the result of a state policy consistently upheld by all the caliphs. On the part of the caliphs, it was mostly motivated by their concern to protect and advance the sciences and the arts. The Islamisation of Syria and Iraq and other lands no doubt facilitated Arabisation. After the Arab military victory, there was the conquest and victory of Islam as a religion when many Christians in Syria and other lands converted to Islam to escape their oppressive and humiliating conditions. Finally there was the linguistic victory as Arabic supplanted Greek and Syriac.

Addendum: Persecution of the Coptic Church

The Christian Coptic Orthodox Church Of Egypt[49]

Perhaps the greatest glory of the Coptic Church is its Cross. Copts take pride in the persecution they have sustained as early as May 8, 68 A.D., when their Patron Saint Mark was slain on Easter Monday after being dragged from his feet by Roman soldiers all over Alexandria's streets and alleys. The Copts have been persecuted by almost every ruler of Egypt. Their Clergymen have been tortured and exiled even by their Christian brothers after the schism of Chalcedon in 451 A.D. and until the Arab's conquest of Egypt in 641 A.D. To emphasise their pride in their cross, Copts adopted a calendar, called the Calendar of the Martyrs, which begins its era on August 29, 284 A.D., in commemoration of those who died for their faith during the rule of Diocletian the Roman Emperor. This calendar is still in use all over Egypt by farmers to keep track of the various agricultural seasons and in the Coptic Church Lectionary.

For the four centuries that followed the Arab's conquest of Egypt, the Coptic Church generally flourished and Egypt remained basically Christian. This is due to a large extent to the fortunate position that the Copts enjoyed, for the Prophet of Islam, who had an Egyptian wife (the only one of his wives to bear a child), preached especial kindness towards Copts: "When you conquer Egypt, be kind to the Copts for they are your proteges and kith and kin". Copts, thus, were allowed to freely practice their religion and were to a large degree autonomous, provided they continued to pay a special tax, called "Gezya", that qualifies them as "Ahl Zemma" proteges (protected). Individuals who cannot afford to pay this tax were faced with the choice of either converting to Islam or losing their civil right to be "protected", which in some instances meant being killed. Copts, despite additional sumptuary laws that were imposed on them in 750-868 A.D. and 905-935 A.D. under the Abbasid Dynasties, prospered and their Church enjoyed one of its most peaceful era. Surviving literature from monastic centers, dating back from the

8th to the 11th century, shows no drastic break in the activities of Coptic craftsmen, such as weavers, leather-binders, painters, and wood-workers. Throughout that period, the Coptic language remained the language of the land, and it was not until the second half of the 11th century that the first bi-lingual Coptic-Arabic liturgical manuscripts started to appear. One of the first complete Arabic texts is the 13th century text by Awlaad El-Assal (children of the Honey Maker), in which the laws, cultural norms and traditions of the Copts at this pivotal time, 500 years after the Islamic conquest of Egypt were detailed. The adoption of the Arabic language as the language used in Egyptians' every-day's life was so slow that even in the 15th century al-Makrizi implied that the Coptic Language was still largely in use. Up to this day, the Coptic Language continues to be the liturgical language of the Church.

The Christian face of Egypt started to change by the beginning of the second millennium A.D., when Copts, in addition to the "Gezya" tax, suffered from specific disabilities, some of which were serious and interfered with their freedom of worship. For example, there were restrictions on repairing old Churches and building new ones, on testifying in court, on public behaviour, on adoption, on inheritance, on public religious activities, and on dress codes. Slowly but steadily, by the end of the 12th century, the face of Egypt changed from a predominantly Christian to a predominantly Muslim country and the Coptic community occupied an inferior position and lived in some expectation of Muslim hostility, which periodically flared into violence. It is remarkable that the well-being of Copts was more or less related to the well-being of their rulers. In particular, the Copts suffered most in those periods when Arab dynasties were at their low.

The position of the Copts began to improve early in the 19th century under the stability and tolerance of Muhammad Ali's dynasty. The Coptic community ceased to be regarded by the state as an administrative unit and, by 1855 A.D., the main mark of Copts' inferiority, the "Gezya" tax was lifted, and shortly thereafter Copts started to serve in the Egyptian army. The 1919 A.D. revolution in Egypt, the first grassroots display of Egyptian identity in centuries, stands as a witness to the homogeneity of Egypt's modern society with both its Muslim and Coptic sects. Today, this homogeneity is what keeps the Egyptian society united against the religious intolerance of extremist groups, who occasionally subject the Copts to persecution and terror. Modern day martyrs, like Father Marcos Khalil, serve as reminders of the miracle of Coptic survival.

Despite persecution, the Coptic Church as a religious institution has never been controlled or allowed itself to control the governments in Egypt. This long-held position of the Church concerning the separation between State and Religion stems from the words of the Lord Jesus Christ himself, when he asked his followers to submit to their rulers: "Render therefore to Caesar the things that are Caesar's, and to God the things that are God's." [Mathew 22:21]. The Coptic Church has never forcefully resisted authorities or invaders and was never allied with any powers, for the words of the Lord Jesus Christ are clear: "Put your sword in its place, for all who take the sword will perish by the sword." (Mathew 26:52). The miraculous survival of the Coptic Church till this day and age is a living proof of the validity and wisdom of these teachings.

Autonomous government and birth of sectarian power sharing following the 1860 civil war.

The origin of the Christian hold of power in Lebanon can be dated back to 1861. In 1861 foreign powers imposed what is known as the "Reglement Organique" in which the Ottoman government designated Mount Lebanon as an autonomous Ottoman province to be ruled by a non-Lebanese Ottoman Christian governor, selected by the Sultan, and approved by the great powers Of Europe. The autonomous province was to become a special Ottoman governornate or mutasarrifiyya. A new 12-member council whose seats

were allocated on a sectarian basis aided the governor. Aziz Abu Hamad said that this system increased the Maronites power at the expense of the Druze and other sects.

In the opinion of one historian, Aziz Abu Hamad, Christians from 1861 were able to be autonomous during the Ottoman rule. This was very crucial for the development of their nationalism and their aim of forming a Christian state. Many Maronites conceived the *mutasarrifiyya* as the basis for an independent Lebanon that would be a Christian bastion and an out-post of Western Europe in the Middle East.

The Christian Druze confrontation spilled into the beginning of the twentieth century. For instance, in September 1903, Christian and Muslim clashes resulted in the death of 7 Christians and 15 Muslims. An estimated 20,000 Christians, mainly Maronites, took refuge in the mountains until sectarian tempers cooled.

The French mandate and the increase of the Christian political influence

Christian power in Lebanon increased in September 1920 with the establishment of the state of Lebanon under the French mandate. The creation of Grand Liban (Greater Lebanon) by general Gouraud, High Commissioner for Syria and Lebanon, was the first step taken by France to fulfil its pledges to its traditional Lebanese Christians, especially the Maronites for the establishment of a Christian state. The establishment of an independent Christian state, with extended borders, and under French protection was the realisation of a centuries old dream of Christians especially the Maronites.

For the Muslims in Syria and the areas newly attached to Lebanon (Akkar, Tripoli, Beirut, Bekaa and the South), however, it was the final blow in a series of demoralising events which had began six weeks earlier, with the defeat of the Arab army at Maisalun, and the subsequent occupation of Damascus by the French and the expulsion of Faisal the Syrian king from Syria.

The Lebanese Muslims were disappointed about not being able to unite with the Muslim dominated Syria. Christians welcomed the French mandate power that sided with them. The governance system, which the French designed for Lebanon, favoured Christians over Muslims. The establishment of a pro Christian system strengthened the status of the Christians in Lebanon and in the Middle East.

Abbot Paul Naaman adjudged the establishment of the republic of Greater Lebanon to the efforts of the Maronite Church, and considered it as the Church's greatest accomplishment. Following the creation of Greater Lebanon in 1920, the relations between Muslims and Christians in Lebanon deteriorated rapidly; Muslims attacked Christian villages in Lebanon. The creation of Greater Lebanon set a time bomb by forcing Muslims, whose allegiance was to Syria and to the Arab nation, to be citizens of the new state.

Eyal Zisser explained that the Christian population in Lebanon dropped from 85 per cent to 54 per cent once the new areas were added to the new region of Lebanon's Mountain. The creation of Greater Lebanon would contribute to their fall 70 years later, with the addition of those Muslim populated areas.

Sami Ofeish elaborated that the sectarian system was at work as early as 1920s:

Seats in the first parliament, initiated in 1926s were allocated on a sectarian basis. The sectarian allocation of top state offices also started to take shape during this period, although the Christian elite predominantly filled them.

The 1943 pact

It is very important to look carefully at the structure of the Lebanese political sectarian regime. That structure has ensured Christian political dominance until 1990. The sectarian system was reinforced with the declaration of independence in 1943 following the collapse of the French mandate. President Bishara Al-Khoury (a Christian) and Prime minister Riad Solh (a Muslim) joined in an unwritten agreement, which was called the National Pact.

The National Pact set a new political system for Lebanon. It resolved to preserve the position of the presidency for the Maronites, the premiership for the Sunnis, and the parliament speakership for the Shiites. Moreover, the Pact agreed to distribute parliamentary seats, cabinet posts, and administrative and army positions at all levels on a sectarian basis. Sami Ofeish said that the National Pact favoured Christians and in particular the Maronite elite.

The 1943 Pact cemented the Christian political power, which was given to them in the 1920s by the French Mandate. It enabled Christians to rule Muslims for the next 32 years until it started to crack in 1975. Certainly, Christians enjoyed overwhelming control of the political system, despite the allocation of the next two top political office positions to Muslims.

Similarly Mark Tomass noted that the Christians acquired the lion's share of sectarian jobs:

This pervasive sectarianism was reflected in the constitution of 1943 drawn under the French Mandate (1920-1945). It allocated specific government posts to sect leaders. Because of their greatest and specific ties to France, Maronite-Christians acquired the lion's share of posts.

All the above may give the indication that the Christians were given the edge over the Muslims, and, therefore, they dominated the country until the start of civil war.

Chapter 2: Christians maintained hold on power from 1943-1975

This chapter argues that the Christians managed to hold on to power despite the Muslims attempt to demand a far more share of power from the Christians.

According to Brenda Seaver, the Lebanese political situation between 1943-1975 endured periods of severe internal strain. The major causes of this strain were the 1958 civil war, the Arab-Israeli conflict, and the influx of Palestinian refugees and the PLO's arrival in Lebanon[1]. These above-mentioned events would serve as a catalyst for the civil war of 1975 and the fall of the 1943 political system in 1990.

The establishment of the new state of Israel and its effects on Christians and Muslims in Lebanon

The creation of Israel in 1948 greatly affected the cordial harmony between the Lebanese Christians and Muslims. The reason for this is that some Christian leaders publicly met with Israel. However, Muslims saw Israel as the main enemy to the Arab world and that any cooperation with it would be considered treason.

Patriarch Antoine Arida was the first Christian leader to sign a Zionist-Maronite treaty of 1946[2]. The treaty laid down the guidelines for the establishment of close ties and co-operation between the Maronites in Lebanon and the Jewish Yishuv in Palestine, on the basis of mutual recognition of rights and national desires[3]. The Christians made no secret of the fact that they believed that they could benefit from the ties and experience of the Jewish Yishuv[4].

Eyal Zisser explained the reason for the Maronites seeking ties with Israel:

The only thing the Maronites wanted was to recruit discreetly Israel support for their struggles in the Lebanese domestic arena, keeping these connections as tightly under wraps as possible[5].

Despite the fact that the parties involved did not execute the treaty, it shows how Christians were looking for an ally to protect them from the enemy within namely "the Muslims" who started to gradually distance themselves from the National pact of 1943.

According to Eyal Zisser, there were other Christian leaders who voiced their sympathy to the Zionist movement publicly, namely the archbishop of Beirut, Ignatius Mubarak[6]. Since the Muslims saw Israel as an obstacle for a mightier Muslim Arabic world, they sought support from outsiders such as the Palestinians in the early stages of the Lebanese civil war and Syria in the later stages.

The civil unrest of 1958

The political power of the Christian political elite was challenged in 1958. The country was shaken during this period. In 1958 Syria and Egypt came together in the United Arab Republic (U.A.R) under full Egyptian command. The union received support among the majority of the Lebanese Shiites and Sunnis[7].

The Lebanese government dominated by Christians was fearful of the supporters of the pro Arab unity who were trying to topple the government. President Camille Chamoun backed by the bulk of Christians was absolutely determined to preserve Lebanon. As a consequence, only a small spark was needed to ignite widespread violence[8]. Therefore on 8th May, unknown assailants killed an anti-regime Maronite journalist in Tripoli (the Second largest Lebanese city). Public order instantly collapsed in Tripoli and the Muslim sections of Beirut, as riots extended into the mobilisation of gangs and small militias by radical parties Nasirites and Ba'th[9].

President Chamoun, a Christian, asked the Eisenhower administration to curb the civil unrest of 1958. The Eisenhower administration quickly responded by sending 10,000 Marines, in order to shore up the government's forces. Aziz Abu-Hamad cited that the Maronite-led government troops and the Maronite militia battled an alliance of Muslim militias and their leftists and Nasirist allies in Tripoli, Beirut, Sidon and Tyre[10]. Aziz added that the 1958 crisis was defused when President Chamoun dropped his plans for a second term[11]. Christians and Muslims were finally content with the election of the army commander Fouad Shihab as the new president, and, consequently, the US withdrew from Lebanon.

During the 1958 civil war, the Christian dominated government fought alongside the Maronite militia against Muslims and leftists. Even though the 1958 war was caused by the clash of pro Lebanese sovereignty and pro Arab unity groups, it reinforced the belief that the Lebanese community was divided along sectarian lines. Thus, the Christians

favoured Lebanese sovereignty while the Muslims favoured Lebanon joining a more desired unified Arabic league nation.

The 1967 Muslim-Jewish war and the Palestinian increased involvement in Lebanon

The 1967 Arab-Israel war further strained the relationship between Christians and Muslims. This was due to the fact that the Lebanese political leadership refused to commit its troops to the June 1967 Arab-Israeli war. The non-commitment enraged many Lebanese Muslims[12]. After the defeat of the Arabs in the 1967 war, the Palestinians started to launch attacks against Israel from Lebanon. Israel retaliated by shelling Lebanese towns and villages.

Aziz Abu-Hamad showed that the Palestinian military action against Israel divided Christians and Muslims again:

Muslim leaders proclaimed support for the Palestinian cause, Christian leaders expressed their opposition to dragging Lebanon into the Middle East conflict[13].

Although Lebanese Muslims had only minority representation in the Lebanese Parliament, they outnumbered Christians in 1968. This was largely due to the higher rates of Christian emigration and higher Muslim birth rates. Aziz Abu-Hamad explained that in 1968, Muslims demanded several government changes including an end to the accord that reserved key positions for Maronites, such as the Commander of the army and the Governor of the central Bank[14].

The Cairo agreement of 1969 gave Palestinians the right of autonomous administrative control over their refugee camps in Lebanon. Christians objected to the agreement arguing that it was a betrayal of Lebanese sovereignty[15]. The Christians' anger compelled Christian parties such as Phalanges(Kata'ib) and Camille Chamoun's National Liberal parties to establish military camps for their militias[16]. These newly trained Christian militias assisted the Lebanese army in their clashes with Palestinians in 1970. Although that crisis was temporarily resolved by reaffirming the Cairo Agreement, the Christian leadership, girded for the next round, determined to uphold Lebanese sovereignty and the Christian character of Lebanon[17].

The Jordanian army expelled Palestinian fighters in September 1970 from Jordan. The move was aimed to stop the Palestinians from attacking Israel who used to militarily retaliate by bombing Jordan[18]. Many newly arrived expelled Palestinian fighters entered Lebanon taking advantage of the 1969 Cairo agreement, which granted Palestinian relative autonomy in Lebanon. Aziz Abu-Hamad said that several Lebanese factions, mostly Muslim and leftist groups, used the PLO's autonomy and political and military power to press for greater participation in decision-making[19].

During the 1973 Arab-Israeli war, differences between Christians and Muslims deepened. The Christians were upset to see South Lebanon a battlefield between Israel and the Palestinians, while the Muslims took the opportunity in return to show dissatisfaction with their economic and political status in a Christian dominated political system[20].

Chapter 3: Christian Nationalism vs. Muslim Nationalism

This chapter explores nationalism in Lebanon. Nationalism can be considered as one cause of the rise and fall of Christianity in Lebanon.

Meir Zamir described the spread of Christian nationalism in Lebanon as one of the three nationalistic movements that emerged simultaneously in the Middle East. The other two being the Muslim and Jewish movements[1].

It is very hard for people with different nationalistic persuasions in the same country to stay unified. I will limit my study to the Christian and Arabic/Muslim nationalism, due to the fact that Lebanon housed only few a hundred Jews.

Theodor Hanf stated that the Lebanese nationalists, mainly Christians, tried to prove that Lebanon had existed since time immemorial and stressed its independence and uniqueness. He added that Arab nationalists, usually Muslims, tended to present the history of what is now known as Lebanon as a provincial chapter in the history of Arab-Islamic empires[2]. He added that there had been disputes about when which part of the country was first called Lebanon, and whether one or other of the contemporary communities was already a nation in the past[3].

Marguerite Johnson identified Christian nationalism in terms of their distinctive cultural identity in the Middle East[4]. The cultural character of the Christian community was rooted in their religious separateness from the rest of the Near East and was nourished by centuries of long cultural ties with Western Europe.

Christian nationalism helped increase their survival chances in Lebanon. However, it also contributed to their own downfall. Their nationalism clashed with Muslim and Arabic nationalism. The Muslims showed an equal resolve to claim Lebanon and tried to remove the Lebanese Christians from political power.

In Lebanon, until recently, most Christian children were taught that Lebanon is a Phoenician and a western oriented nation, while most Muslim children students are taught that Lebanon is an Arabic country and an integral part of its Islamic World. Many Christians believe that they are Lebanese and not Arabs.

Ghassan Hage reasoned that the Muslim Shari'a's differentiation of people on the basis of their religious identity led Christians to become acutely conscious of their status as a religious minority[5].

The biggest fear Christians have had is how to survive in such a Muslim dominated region. This has prompted them to deny Muslims the opportunity to turn Lebanon into an Arabic and Muslim nation. This was done by spreading their notion of nationalism, which they associated with Lebanese sovereignty away from Arabic and Islamic influences.

Christian nationalism made the Christians reluctant to share their power with Muslims until the commencement of the 1975 Lebanese civil war. They were worried about their future as a minority, surrounded by a majority Muslim population that was hungry to claim its fair share of power due to their superiority of numbers. Lebanese Christians were always keenly mindful of past atrocities inflicted on their brethren in the Middle East at the hands of the Muslims- namely the demise of Armenians in Turkey and the persecution of Coptic Christians in Sudan and Egypt. The majority of Christians associate themselves with Phoenician roots and not to the Arab Bedouin (Originally Arab).

Antoine Najm did not agree that nationalism ran along strict religious lines. He saw that Arabists, be Christian or Muslim, aspired to either annex Lebanon to the "Greater Arab

Nation" or to establish an Islamic or quasi-Islamic state. Lebanese nationalists rejected this political stand[6].

The clash of nationalism between Christians and Muslims in Lebanon may be illustrated by a recent incident surrounding the celebrated poet Khalil Gebran. Recently, the American Maronite Union wrote to the American Secretary of State, General Colin Powell, clarifying that the famous Lebanese poet Khalil Gebran is Lebanese and not an Arab[7]. Their protest was to the Middle East Descent Association in America, honouring Khalil Gebran as an Arabic American in the presence of Powell[8]. Tom Harb the chairman of the American Maronite union explained:

While we certainly would not be opposed to any party that would honour Khalil Gibran, we express our concerns as the identification of this great Lebanese-American as an "Arab-American"[9].

David Gordon discussed the view of Muslims and Christians about each other. He outlined Muslim opinion about Christians as follows:

- Firstly, Muslims rejected the maintenance of a Christian state. They objected to the way power was distributed so that it enabled Christians, particularly Maronites, to dominate a nation whose majority were Muslims. Moreover, Muslims believed that power should be based not upon sectarian distribution but upon the principle of one vote per person.
- Secondly, Muslims claimed that the Christian establishment has repeatedly sought to split Lebanon, politically and culturally, from the Arab world. They argued that the Maronites supported the crusaders and that the Maronite Patriarch Ignatius Mubarak had explicitly supported Israel.
- Thirdly, Muslims argued that the Christian establishment had favoured and promoted private and foreign education, in order to erode the position of the Arabic language. Typically, Muslims believed that many textbooks had belittled Arab accomplishments and promoted the image of Lebanon as once a Phoenician and now a Christian state[10].

The Christians' view of Muslim nationalism was put succinctly also by David Gordon. He explained that Christians believed that Arab nationalism was inevitably "Muslim". He added that they further claimed that Muslims were hypocritical in calling for a secular state, while at the time never abandoning their "personal status"(according to which matters of inheritance and marriage are determined by Koranic prescription). Lastly, Christians believed that integration of Lebanon politically or economically into the Arab world with its authoritarian and socialist tendencies, would only jeopardise the freedom and prosperity that both Muslims and Christians enjoyed in Lebanon. Christians further saw that the realisation of Muslim demands would be killing the goose that laid the golden egg[11].

The Christians' belief was that Arab nationalism was inevitably Muslim. This is true, owing to the fact that the ordinary Arabic citizens and government stressed the Islamic nature of the Arab world.

This chapter explored how Lebanese Christians and Muslims espoused different nationalistic views. The spread of this divided nationalism was made easier by the existence of political and religious political parties, which I will discuss in the next chapter.

Chapter 4: Christian Political Parties and Organisations

This chapter explores Christian political parties, and their role in the rise and fall of Christians in Lebanon. These parties have used nationalism as a vehicle to promote their political platforms. These political parties were involved in the 1975 civil war. Moreover, despite the end of the civil war in 1990, the Lebanese Christian parties still try to influence politics in Lebanon. These parties' aim has been to be recognised as the ones who safeguarded the Christians' rights in Lebanon.

The Phalanges Party (Kataib)

It was clearly the single most important actor among Lebanese Christians in the events leading to the 1975 crisis. In the early 1950s, the Phalanges became a parliamentary party and a participant in the traditional game of Lebanese politics[1]. It recruited non-Christian and non-Maronite members. Yet, the Phalanges remained essentially a Maronite party and according to Rabinovich, the Lebanese entity it envisaged was in reality Christian[2].

In the summer of 1975, when it appeared that the preservation of Christian control over the traditional political system in Greater Lebanon was no longer feasible, the party, or at least its radical wing, opted for the less desirable goal of a smaller Christian Lebanon based in East Beirut, the Northern part of Mount Lebanon, and the coastal area north of Beirut³. This sentiment was expressed through the publication of an interesting pamphlet by the Maronite Intellectual Centre in Kaslik, under the title Greater Lebanon a half century's tragedy. The pamphlet stated that the creation of Greater Lebanon in 1920 by the French mandate was not in favour of the Christians.

The Christians knew very clearly that their political dominance, which was safeguarded by the creation of Greater Lebanon in 1920 by the French mandate and the 1943 pact, was no longer possible. It was a sound strategy to opt for a smaller country in which they could control and preserve their culture. However, as events later showed, Muslims were not just interested in taking power in Lebanon but also to prevent Christians from ever forming a small or larger Christian Lebanese nation. As a result, the party was very interested in protecting Christian interest in a country, which started to slip away from them in favour of the Muslim majority.

The Phalanges party was divided between two schools of thoughts-the school of thought represented by Pierre Gemayel's elder son Amin and that of Karim Pakandouni. They believed that Lebanon's Christians could only survive by coming to terms with their environment. It sought accommodation with Syria, with Lebanese Muslims and with the larger Arab world. The second school of thought was represented by Amin's younger brother Bashir, who, in the summer of 1976, became the Commander of the party's armed forces. This school according to Itamar Rabinovich is sceptical of Arab and Muslim willingness to tolerate a Lebanese Christian entity in their midst, and believed in the need to develop that entity's resources, the establishment of an alliance with Israel, the mobilisation of the Lebanese Christian Diaspora, and the obtainment of American support[4].

The second school of thought prevailed over the first one. When Bashir sidelined his older brother, many believed that Bashir ignited strong nationalistic support among Christians. He later became the President of the country for twenty-one days, until his assassination. His brother succeeded him but was much weaker than he.

The Lebanese Forces

The Phalangist army called itself the Lebanese Forces (LF). It mustered up to 20,000 troops, of which a core of 3,000 was a full-time soldier. Under the leadership of William Hawi, and later of Bashir Gemayel, it evolved into a formidable and highly organised fighting force. The Phalangist party practised conscription in the area it controlled, drafting eligible young men to swell its ranks. In internal fighting throughout the Civil War and up to 1982, the Lebanese Forces consolidated its leadership of the Lebanese Christian Front by assimilating other Christian militia, often by force[5].

The National Liberal party

The Phalanges principal ally in the Lebanese front, Camille Chamoun's national Liberal party, was a markedly dissimilar political formation⁶. A small party organised around the person and personality of its leaders, it lacked the coherent doctrine, elaborate structure, and large membership of its senior partner, the Phalanges.

Camille Chamoun presided over Lebanon from 1952 until 1958. He was a bitter opponent and critic of Pan-Arab nationalism, and the only Arab ruler who accepted the US president Dwight Eisenhower's doctrine, which was aimed to help the Middle East nations fend off armed aggression from any communist nation. It even offered to protect the political independence of such nations[7]. The party is currently heading the opposition against Syria's presence in Lebanon.

Al Marade Party

This 3,500-strong unit, also called the Marada (Giants) Brigade, was named after a Byzantine border guard in ancient Lebanon. They represented the interests of Sulayman Franjiyah, President of Lebanon at the outbreak of the Civil War. It was also called the Zhagartan Liberation Army after Zgharta, Franjiyah's hometown. It operated out of Tripoli and other areas of northern Lebanon, but it also fought in Beirut. The military alliance between the Phalanges and the Marada, which was evident at the start of the 1975 civil war, ended on June 13, 1978, with a surprise Lebanese Forces (LF) attack on Ihdin, the Marada headquarters, during which the Marada commander, Tony Franjiyah was killed[8].

The Order of Maronite Monks

The Maronite church has played a big role in Lebanese politics. It has sought to safeguard the right of Christians. During the 1975 Lebanese Civil War, Patriarch Bulus Khureysh, the head of the Maronite Church, did not have any political impact⁹. On the other hand, the head of the order of Maronite monks Father Charbel Qassis took the activist and militant line within the Maronite church. The Maronite Monastic order, the owners of a sizable portion of Lebanon's agricultural land, provided financial and political support to the Maronite militias[10].

The Order of Maronite Monks militia consisted of 200 priests[11]. Father Bulus Na'aman, another powerful militant cleric, later replaced Qassis[12]. Rabinovich explained that Maronite monasteries were storing weapons, ammunition, and food for Christian militias[13]. Priests saw the need to protect Christians against Palestinians and Muslims who were threatening the status quo of Christians.

Maronite League

The Maronite League was a militant militia headed by Shaker Abu Suleiman, an ardent supporter of Qassis. Like the Guardians of the Cedar (see below), it was a purely Maronite militia without the inhibitions of the politically sophisticated Phalanges and National Liberals. It, therefore, chose to fight alongside these groups rather than to merge with them[14].

The Guardians of the Cedars

The Guardians of the Cedars consisted of about 500 men[15]. Although they advocated a non-confrontational confessional ideology, the Guardians have in practice been among the fiercest fighters for the Christian cause.

The political and military leader of the Guardians of the Cedar, Etienne Saqr (nicknamed Abu Arz), worked for the Faranjiyya administration in the early 1970s. But ideologically, Sa'id Aql who sought to draw a clear distinction between Lebanonism and Arabism inspired the Guardians. Aql's conception of Lebanon, originating in and inspired by a remote Phoenician past, and contributing to the development of civilisation, minimises the role of Islam and Arabism[16].

The Guardians of the Cedars were frank about their relationship with Israel, unlike the Phalanges and the National Liberals, who sought to conceal their relations with Israel. The Guardians argued publicly in 1976 that the Christians should turn to Israel to ask it to save what was left of Lebanon. Like the Maronite League, they maintained their separate organisation that fought alongside the larger militias[17].

At Tanzim

Arabic for "the organisation". At Tanzim was originally a small secret society of Christian officers within the Lebanese army who supported the Phalanges. At Tanzim accepted members from outside the army, mostly from the upper and professional classes. It fielded its own militia of about 200[18].

The Lebanese Front

In December 1975, when major changes in the Lebanese political system were being discussed seriously and a Muslim summit was convened to formulate a joint position, a comparable Maronite summit was called for. The major Maronite leaders Pierre Gemayel, Camille Chamoun, Charbel Quassis, and Shaker Chaker Abu Sleiman met in the presidential palace[19].

In the spring of 1976, the Maronite summit was renamed the Kafur summit. Camille Chamoun was chosen President of the newly formed Lebanese Front. Its leadership included Pierre and Bashir Gemayel, Bulus Na'aman, Edward Hunayian (who had previously worked with Raymond Edde), and two noted Christian intellectuals, Charles Malek and Fouad Ephrem Al Boustani. A joint military command was formed for the various militias, whose new collective name was the Lebanese forces.

The Lebanese forces were made up of four militias, the Phalanges, Chamoun's Numur, the Guardians of the Cedars, and the At Tanzim. Two members represented each. Despite the nominal parity, it was clear that the Lebanese Forces were dominated and controlled by Bashir Gemayel.

Nevertheless, the formation of an apparently non-partisan, all Maronite forums proved very useful for the further development of the status quo coalition of Christian leaders mentioned above[20]. Halim Barakat said that the Christian rightists of the Lebanese Front have continued to resist the elimination of political sectarianism[21].

The Army's Christian Leadership

The Christian leadership within the army can be considered an important component of the status quo coalition, which consists of Christian groups, which refused to relent their power to Muslims. The Lebanese army's refusal to take sides during the crises of 1952 and 1958 was a rare phenomenon in post-world war II Middle East, where political history has been largely shaped by military intervention and domination. The higher echelon of the professional officer corps was predominantly Christian, and the army was seen as one that was predominantly Christian. The army was seen as one of the ultimate guarantors of both the Lebanese political system and the Christian character. In the 1950 and 1960s, Muslim politicians repeatedly demanded a national service law that would transform the army into a predominantly Muslim force[22]. The bulk of the army was positioned in Beirut and the centre of the country.

Accommodationist Christian leaders

The Christian community had also moderate Christian politicians and public figures such as the former president Elias Sarkis and Raymond Edde (the son of President Emille Edde). They sought accommodation policies with the opponents of the (namely the Muslims). However they did not possess the coherence of an actual political school or bloc. Moreover, these leaders were willing to concede a large share of power in the political system to the Muslim community. They strongly opposed the notion of partition.

Chapter 5: The Christian role in the Lebanese Civil War of 1975-1990

The Lebanese Civil war and its outcome changed the status of Christians in Lebanon and helped their political decline. The Civil War started in 1975 and many historians still do not agree on its immediate causes. However, Brenda Seaver cited two events, which marked the beginning of the Lebanese Civil War.

The first event occurred in February 1975, where Lebanese fishermen's unions in Sidon, Tyre, and Tripoli jointly protested the establishment of the Protein Company, a modern high-technology monopolistic fishing company owned in large part by former president Camille Chamoun, a Maronite Christian[1].

Brenda Seaver added that the army began firing upon protesters mortally wounding Ma'ruf Saad, the Sunni Muslim leader of the popular Nasserite Organisation of Sidon[2]. Following Sidon's events, street demonstrations erupted virtually in all of Lebanon's major cities and intense fighting occurred between Christian troops and gunmen aided by Palestinian commandos.

While the second event, according to Seaver, took place on 13 April 1975, when unknown assailants attempted to assassinate Pierre Gemayel, the leader of the Phalanges, while he was attending the consecration of a new church in the Christian Beirut suburb of Ain Rumana. Gemayel survived, but three of his bodyguards died[3]. Seaver added that a group of Maronite militiamen at Ayn Al-Rumana retaliated by ambushing a bus containing mostly Palestinians on their way to the Tel-Al Za'atar refugee camp, killing twenty-seven passengers[4]. The incident incited heavy fighting throughout the country between the Phalangists on the one hand and Palestinian

militiamen and leftist Muslims on the other hand, resulting in over 300 deaths in three days. The first incident highlighted the Muslims' uneasiness about the privileges that the Christian elite were enjoying. The protest was not just a protest against the opening of the company, but because it was owned by one of the Christian power brokers. Moreover, it followed a constant outcry of Muslim leaders against the privileges and wealth of the Christians.

After the Cairo Agreement in 1969, which sanctioned the arming of Palestinians in Lebanon, the Christians perceived the continuing presence of the Palestinians in Lebanon as a serious threat.

These above incidents are not the only factors, which led to the eruption of the Civil War. The nature of nationalism in Lebanon has played a crucial role in making the Civil war inevitable.

Twefik Khalaf noted that the Christians had a hidden agenda when fighting broke out between the Phalanges and the Palestinians. The Phalanges wanted to hold on for a few days and then engage the Lebanese Army in a Jordanian style campaign against the Palestinians[5].

The Christians may be indirectly blamed for the eruption of the civil war, due to the fact that the demands of Muslims for more equality fell on deaf ears. As a result of a fifteen-year Muslim boycott of the Lebanese state during the French mandate, there was always considerable disequilibrium in the civil service, which was made up largely by Christians. The disequilibrium continued well into the independent republic: young civil servants appointed in the 1930s reached retiring age only in the 1960s[6]. This ably explained the reason behind the Christian control of the civil service.

In the fifties, Maronites and Greek Catholics Melkites and Sunni Muslims were over represented at the expense of the Shi'ites. As Muslim communities lagged in university education, Muslim deputies, parties and institutions were among the zealous champions of the principle of proportionality or quota citing Article 95 of the constitution which stipulated an adequate distribution of civil service posts among the communities[7]. Christians, with their educational advantages, rejected the Muslim demand, citing that Article 12 of the constitution, stipulated that all citizens should have equal access to the civil service and that the only criteria of selection was merit and ability[8].

The above example effectively explains that the different interpretation of the constitution by Christians and Muslims had made them in conflict with each other.

Brenda Seaver criticised the Christian militias, as they often seemed to act in defiance of the Lebanese Front's leadership[9]. Ghassan Hage cited Christian notorious atrocities on 6 December 1975. The day was to be known later as "black Saturday", where more than two hundred Muslims were brutally massacred by Christians. This event was usually explained as an act of revenge for the killing of Christians in Muslim areas[10].

Simon Haddad recorded that Palestinian refugees were slaughtered in Tal Al Za'atar in 1976 and in Sabra and Shatila camps in 1982[11]. Rex Brynen estimated that Christians killed about one thousand Palestinians and Lebanese Muslims and evicted twenty thousand from the Palestinian protected areas of the Al-Karantina and Al-Maslakh slum districts[12].

The years between 1975-1990 were the darkest time for Christians. This was due to the atrocities committed by the Christian militia and by the atrocities committed on Christians by Muslims and Palestinians. Charles Sennott recalled the war memory of one Christian villager Michael Abu Abdella from Damour. Abu Abdella remembered the attacks that devastated his village Christian community and had caused thousands to flee[13].

During the Israeli invasion of Lebanon in 1982, a Phalange faction led by Elie Hobeiq attacked the Palestinian refugee camps of Sabra and Shatila and massacred about one thousand unarmed refugees, including women, children, and old men[14]. Israel was blamed widely for not intervening to stop it once it had began[15].

However, the Lebanese forces denied its involvement and the victims' relatives have recently launched criminal proceeding at a the Belgium supreme court against the current Israeli Prime Minister Ariel Sharon, who was the Defence Minister during the 1982 invasion.

Chapter 6: Causes of the Decline of the Christian status in Lebanon

The decline of the Christian role in Lebanon was caused by four factors. Firstly, the typical strife with the Muslim foes, secondly by internal Christian division and fighting, thirdly by foreign intervention and fourthly by voluntary and forced emigration of many Christians.

The political and social Christian decline can be traced to their struggle with the Muslim majority. Christians were exhausted by their war with the Muslims. Fawaz Gerges noted that Latif Abul-Husn believed that the 1975 war revolved around three main issues: Reform of the political system, the national identity of Lebanon and Lebanon's sovereignty[1].

According to Abul-Husn, the Christians could have been in conflict with the Muslims over the three above issues. The Muslims wanted to reform the political system, which favoured Christians. They wanted to translate their numerical superiority into political power. They wanted a system, which they could control. Moreover, they saw Christians as an obstacle to the formation of an Islamic state similar to the rest of the Middle Eastern states. The Muslims chose war instead of dialogue, due to the fact that the Christians continued to ignore their grievances. The war was more destructive to the Christians than to the Muslims.

In 1983, a civil war erupted in the mountains between the Phalanges and the Druze on a large scale. The Druze defeated the Christians. They drew no distinction between their Christian supporters and opponents. Around sixty villages were devastated, thousands of civilians were murdered, and tens of thousands were driven out or had fled. The spiritual leader of the Druze, Sheikh Abu Shakra, summed up the brutality of this phase of the civil war stating that the Christians would never again live in the Druze Mountain[2]. For the Christians, the episode was a disaster of a similar magnitude as in the Chouf, where about fifty Christian villages were razed to the ground in 1983[3].

Theodore Hanf noted that there had been radical changes in the southern section of Mount Lebanon, the upper Metn, the Aley region and the Chouf. In 1975, the Christians comprised a good half of the population, a decade later about 1 per cent. The Christians were expelled from the coastal strip in the first two years of the war[4]. They were eradicated from certain areas and replaced by Muslims. There were several wars between Christians and Muslims but the 1983 Mountain war stands as the most significant war, which caused the death of thousands of Christians and expelled them from the Mountain area.

At the end of the civil war in 1990, as Christian-Muslim relations improved, many Christians started to return to their villages. The government even started to financially aid them to renovate or build new houses.

The struggle with the Muslims caused the Christians to slowly surrender their traditional hold of power and opted to emigrate seeking a better future.

The decline of the Christian power in Lebanon can be also traced to internal divisions and infighting among the Christians themselves. The Phalanges saw that the Maronite political pluralism ought perhaps to be tolerated, but the community's military power had to be under one authority, and that authority had to be theirs[5]. For this reason the Phalanges sought to break the independent power of their two principal partners, the Franjiyya and the Liberal National Party. The relations with Franjiyya worsened after they disagreed over relations with Syria.

The Phalanges sought to expand their party organisation into Northern Lebanon and to undermine the Franjiyya family's economic base by disputing Franjiyya's right to raise levies in the heavily industrialised region around Chekka, South of Tripoli[6]. Franjiyya responded to the challenge by killing the chief Phalanges organiser, Jud Bayeh. The Phalanges retaliated by shelling Tony Franjiyya's home in the village of Ehden, killing him and his immediate family in June 1978[7]. Itamar Rabinovich questioned whether or not his assassination had been planned; it is obvious that excessive brutality divided the Christian camp[8]. Franjiyya accused Lebanese Forces of collaboration with Israel and opted to side with Syria[9].

In 1980, Bashir Gemayel's militia destroyed the military infrastructure of the Tigers, the National Liberal Party's militia, in the Beirut area. The Phalanges sought to expand their mandate and their demographic and territorial bases by becoming the representative authority for all Lebanese Christians not just the Maronites[10].

On 31 January 1990, after the Lebanese forces announced its reluctant endorsement of the Ta'if Accord, Michel Aoun had to consolidate his position with his Christian constituency. He attempted to wrest control of the small Christian area between Beirut and Jebail, but in the process inaugurated a Christian civil war in January 1990[11]. Kail Ellis commented that the conflict lasted until July of that year and ended without a clear-cut victory for Aoun[12]. Before the fighting stopped in mid-March, nearly 750 civilians had been killed and 3,000 wounded, but the Lebanese Forces continued to support the new accord[13]. Ellis noted that the war had negative political consequences for the Christian community and that it was estimated that the war had caused \$1.2 billion in property damage[14].

Another reason for the decline of Christian influence in Lebanon is that not all Christians shared the dream of a Christian state. For example, Christian members of both Lebanese communists and the national progressive parties aimed for a non-secular political system and called for the abolition of the religious based political system. Theodore Hanf noted that the civil war between the Christian communities had weakened them more than all the previous attacks of Lebanese and foreign foes[15].

Christian relations with foreign powers have also contributed to their decline. In the words of Lebanon's premier columnist, Ghassan Tueni, it was the others' war. Lebanon was used as a battlefield for the ongoing clashes in the Middle East and the superpower rivalries resulting from the cold war[16].

Eyal Zisser commented that stronger relations between Israel and the Lebanese Maronite community inevitably led to the civil war in Lebanon in 1975[17]. Eyal added that such relations were founded on the common belief that Jews and Maronites must forge a strong alliance to ward off hostile Muslim-Arab attacks[18].

Brenda Seaver outlined that without Palestinians; the Lebanese system might have persisted:

At the very least, if the Palestinian problem had never existed, there would have been more time for strong elites to emerge who could have dealt with the difficulties of modernisation by carrying on the Shihab tradition of social reforms and instituting moderate political reforms[19]

Brenda Seaver gave an accurate analysis of the Palestinians contribution to the collapse of the Lebanese political system. The Palestinians might have tried to turn Lebanon into an alternative permanent state, as compensation for their homeland. The Palestinians' interference worsened the already tense relations between Christians and Muslims. Despite the several episodic civil wars between Muslims and Christians, the whole population had co-operated together for many centuries.

Syria has also played a big role in the decline of the Christian's role in Lebanon, despite its initial intervention militarily in their favour in 1976. When in 1976, the Lebanese National Movement LMN that was fighting Christian forces was about to gain victory over the Christian; the Syrians intervened, explicitly stating that their reason for doing so was to help the Christians[20].

Ghassan Hage explored the reasons behind Syria's help for the Christians in 1976:

Undoubtedly, however, it aimed to avoid the creation of a mini Christian state that the Christians would have proclaimed in all likelihood in the areas that remained under their control[21].

It is important to note that Syria helped the Christians to secure a foothold in Lebanon. However, the Christian leaders, who governed Lebanon at the start of the civil war, failed to predict the implication of Syria's initial friendly intervention in Lebanon. Rex Brynen noted that the massive Syrian military intervention in Lebanon served to Arabise the Lebanese civil war, substantially shifting the conflict from its initial Lebanese social and political bases to the broader regional arena[22].

The honeymoon between the Christians and the Syrians was short lived. Ghassan Hage said that following Egyptian president Anwar Sadat's trip to Jerusalem, an Israeli conceived peace plan (what became known as the *Begin plan*) emerged allowing for a role of the Christian Right, namely the Phalanges. They did not hesitate to grab the opportunity and quickly turned against Syria[23].

On February 7, 1978 a limited armed confrontation between the Syrians and some Christian elements of the Lebanese army took place. Soon after, this confrontation developed into a full-scale war[24]. The Begin plan allowed Israel to invade and stay in South Lebanon until a permanent solution prevented the Palestinian guerrilla from returning[25]. Here, the Christians represented by the Lebanese Front, took its most extremist stand on the Palestinian presence in Lebanon and called for the elimination of the Palestinians armed presence[26]. Syria was furious at the Christians' apparent siding with Israel and so began bombardment of the Christian quarters of Beirut[27].

Ghassan Hage presented the reasons for the Syrian aggression against the Christians:

It was a reflection of the frustration of Syrian President Assad to see the Christian rightists, whom he had basically saved, and whom he had attempted to handle with the utmost care, move away from him with ease[28].

There was some notion in 1978 that Syria and the Muslims wanted to eradicate the uniqueness of Lebanon and the Christian presence in it. This led Camille Chamoun to call on the "civilised world" to stop the Syrian bombardment of the Christian area[29].

Christian civilians paid a high price for the political mistakes of their own leaders. Those leaders did not foresee that Syria would demand full support for its policies, which shifted again to support the Palestinian presence in the South, something that is against the Christian's principle of a free Lebanon. The civilians were bombed every time their leaders disagreed with Syria or the Muslim militias, namely the Lebanese national movement.

The conflict was between Christians and Muslims, more precisely between Christians in Lebanon against Muslim Syria and thousands of Iranian revolutionary guards[Hezbollah]:

- the struggle for Lebanon was conducted between Maronite leaders in East Beirut and Hafiz al-Asad in Damascus[30].

Following the end of the civil war in 1990, the political power of the Christians declined even further. Alan George described how the Maronites were marginalised:

- Their selective representation in the political hierarchy and the exile or imprisonment of leading political figures[31].

The Christians' position declined even further, when a major ally of the past, the United States, refrained from urging Syria to withdraw. In 1958, the United States rushed to help president Camille Chamoun to quell a rebellion, which was staged, by Muslims and followers of former Egyptian president Abdel Nasser. Later, however, The United States abandoned its role in Lebanon, owing to the fact that in 1983 the American embassy in Ain al-Mreisse was demolished by a suicide bomb attack that killed more than 60 people[32]. Six months later, suicide bombers made simultaneous attacks on the multinational force that arrived a year earlier at the request of President Amin Gemayel. The results of the attacks were devastating when 58 French paratroopers and 241 Americans marines were killed. Finally the Americans pulled out of Lebanon.

The Christians in Lebanon felt uneasy about the United States failure to demand Syria's withdrawal from Lebanon. Jose Navalpotro wrote that the United States believed that the timetable for the Syrian withdrawal was a matter that should be resolved between Damascus and Beirut[33]. He added that Washington does not regard this question as an important issue in the overall stability of the Middle East, or a pivotal matter to be resolved in the Arab-Israeli peace process[34].

Christian Emigration from Lebanon, in large numbers, also contributed to the decline of the Christian influence in Lebanon. Both Muslims and Christians fled Lebanon, but far more Christians left. From a pre-war Lebanese population of roughly 4 million, 500,000 of the 700,000 who emigrated were Christian. Just how many Christians remain in Lebanon is in dispute. There are no official population figures for Lebanon. Some estimate that about 1 million residents or 25 percent of the country are Christians. This figure is less than half of the nearly 60 per cent majority of the early 1970s.

William Harris saw that Christian numbers declined in Lebanon as the years went by[35].

1911 79% Christian
1921 55%
1932 51%
1943 52%
1970 42%
1990 35%
(2008 25%)

It is hard to see the Christians current decline in status to be reversed in the view of Harris's statistics. It is very plausible that the number of Christians will become negligible in 50 years and thus their presence in the Middle East will be in jeopardy. Christians need to have the numbers in order to have a legitimate claim to sharing power with the Muslims. Charles M.Sennott quoted a Christian lawyer Nehmatalla Abi Nasr talking about the effect of Christian migration:

"The Christians leave for opportunity in the West or to get away from the war,'he says,'Then they lose more and more influence here, and then they are increasingly afraid to return. This process feeds on itself." [36].

The migration of many Christians from Lebanon has indeed contributed to their political decline in a nation, where they used to be the majority. The voluntary migration adds to the fact that thousands and thousands of Christians died in a war or faced expulsion from their own houses and lands. The Maronite patriarch, Cardinal Nsrallah Boutrous Sfeir, complains stridently that an upsurge in non-Christian immigration to Lebanon, coupled with the government's recent decision to grant citizenship to a large number of Muslims, is weakening the Christian voice in Lebanon,[37]

Chapter 7 - The End of the Lebanese Civil War and the Ta'if Agreement the "last straw".

The Lebanese Civil war ended in 1990 following the defeat of the Lebanese Army leader Aoun by Syria's intervened military. William Harris saw the collapse of the autonomous Christian enclave of East Beirut as a blow to Christian power in Lebanon[1].

The Christians had not just faced a traumatic end to their autonomy on 13 April, but they had to face the consequences of the implementation of the Ta'if agreement, which reduced their power in favour of the Muslims.

On the 30th of September 1989, the Arab League plan, hereafter referred to as the Ta'if Accord, was signed in the resort city of Ta'if. The 62 Lebanese members of Parliament, 85 percent of the surviving 73 members who met in Saudi Arabia, included 31 Christian and 31 Muslim deputies[2]. Many Christians considered that this agreement as the single event that sealed their downfall. The agreement united the nation but failed to give the Christians the necessary guarantee for their survival.

Following the Ta'if agreement, more ambitious Islamic leaders found an opportunity to consolidate their political gains, and gradually eliminated the Christian presence from the national government[3]. Catholic leaders were against the new agreement. Jose Navalpotro wrote:

Cardinal Sfeir put the question in sharp relief. Without a strong Christian presence in government, he asked, what would be the incentive to maintain an independent Lebanon? And without a clear agreement with their Muslim neighbours, how could a Christian minority in one small country expect to survive in an "Islamic ocean?"

The Ta'if agreement emphasised three factors: Firstly, that the new preamble to the constitution unequivocally stressed Lebanon's Arab identity and affiliation. Secondly, that the new preamble should state that Lebanon's system should be based on social justice and equality between all citizens in rights and duties without any differentiation and preference. Thirdly it called for the abolition of political sectarianism.

Sami Ofeish asserted that Ta'if addressed the causes of the Lebanese Civil War[5]. Article 24 of the Ta'if accord presents the guidelines for the sectarian distribution of seats in parliament. This article affirms that, until parliament enacts non-sectarian electoral laws, parliamentary seats should be distributed equally between Christians and Muslims[6]. Sami Ofeish commented that the principles of sectarian "proportional representation" were not implemented accurately in the past and they did not accommodate the demographic changes showing Muslims as the numerical majority beginning in the 1960s[7].

The Ta'if 's agreement improved the position of the prime minister at the expense of the President's traditional functions. According to article 64, the Prime Minister is now the one who heads the government and acts as its representative. The Parliamentary Speaker (A Shiite)'s term is extended to four years instead of one as in the past according to article 44.

The Maronite-exclusive Presidency was rendered to be more symbolic. Sami Ofeish wrote that despite the fact that the President is still the head of the state (Article 49), his executive power lies mainly with the council of ministers (Article 17), and the president shares the decision-making with the Prime Minister and the council[8].

As we can clearly see, three Presidents rule Lebanon equally, the President of the Republic, the President of Council of Ministers and the President of the Chamber of Deputies. It is important to see that Ta'if reduced the Christian political power in Lebanon in favour of the Muslims.

Christine Asmar saw that the Ta'if agreement did not provide any solutions to the Lebanese political power:

Ta'if was also to have signalled a thaw in inter-confessional hostilities, but instead it may have simply frozen animosities while facilitating the restoration of a central government, leaving unresolved the vital issue of inter-confessional relations, especially at the level of the "street"[9].

One of the consequences of the Ta'if agreement was the signing of a treaty of brotherhood, cooperation and coordination between Syria and Lebanon[10]. A majority of Christians voiced their concern about the treaty. William Harris commented on the Christian opposition to Ta'if:

Most Christians rejected the Ta'if regime, as they felt alienated both from Christian participants in the government and from other Christian parties, principally the Kata'ib and the LF, which had accepted the new order but dissented on details[11].

Christians boycotted the first post Ta'if's agreement election in 1992. Judith Harik noted that the Lebanese Maronite community feared that a new parliament would enact laws to end its privileged position in Lebanese society and politics[12]. The Maronites wanted the Syrians out of Lebanon, and believed that elections held before the Syrians departure might be unduly influenced by Syria at their expense[13]. Judith Harik stated that the Christians boycotted the 1992 election, because they felt that the new parliament would not represent their interests[14].

The Christians' fears were to become a reality when a pro Syrian President was elected in 1993. The new parliaments after 1990 did not contain strong nationalist Christians as before. In the last election of 2000, only a few Christian nationalists were elected, in contrast to 1972 where most Christian members of parliament were Christian nationalists.

The decline of the Christian political influence coincided with the economic rise of the Muslims. Jose Navalpotro wrote:

Under Hariri's regime, the financial aid which is flowing into the country from other Arabic nations is being directed toward institutions controlled by Muslims[15].

The Christians long time financial superiority over Muslims has finally come to an end. Other Arabic countries are financially aiding Muslim institutions. Muslim wealth has doubled since the end of the civil war in 1990. It is no secret that the current Prime Minister Rafic Hariri's private company Solidaire owns the central business district of Beirut. Moreover, it tenders all government major construction work. Muslim new wealth is channelling new financial and political power for the Muslims. Moreover, the poor Shi'ite area of the South is attracting more government and overseas developments.

Among the Christian leaders who remain active in Lebanon, there is a fervent desire for new negotiations. That desire is based on the recognition that they are rapidly losing their political influence. The principal institutions that could offer them access to power are now closed to Christians, or at least offer only the hope of a minor role.

Jose Navalpotro noted that there is an absence of strong Christian leadership. He observed that the former Lebanese army commander Michel Aoun is in exile in France, the former president Amin Gemayel was residing in the United States for several years after the end of his presidency in 1988, and Dory Chamoun, who succeeded his assassinated brother Danny, has been unable to mount the sort of sustained and strategic action that would give a sense of new hope to his followers[16]. The Gemayel family finally returned in 2000 and Amin Gemayel's son Pierre was elected to the parliament in late 2000.

The absence of strong Christian leaders impedes the Christian community of exercising a powerful influence as in the past. The decline of Christian influence will even increase if there continues to be an absence of a strong Christian leader who mobilises his community and enables it to survive. Another important Christian leader, Samir Geagea, the leader of the Lebanese forces militia, is currently in prison. Navalpotro wrote that in March 1994 the government outlawed his Lebanese forces party, and arrested him. He was accused of engineering the bombing of a Catholic church in Beirut and the assassination of Danny Chamoun.

The Catholic bishops pointed out in their public denunciation of Geagea's imprisonment that the government had produced no evidence to sustain the charges[17]. Since the formal conclusion of the Lebanese civil war on October 13, 1990, many episodes have borne testimony to the steadily diminishing influence of the Christians in Lebanon.

1990 October - Danny Chamoun, the key leader among Maronite Christians, is assassinated, along with his family.

1991 May - Patriarch Sfeir denounces the Syria-Lebanon pact, saying that it compromises the nation's sovereignty and undermines the "national pact" of 1943. August-General Michel Aoun, the latest Christian leader to emerge as a national power broker, is sent into exile in France, and prohibited from returning to Lebanon for five years.

1992 September - Catholics organise a boycott of legislative elections; between 70 and 85 percent of all Catholics refuse to participate. One Christian deputy was elected by just winning forty votes[18].

1993 May - Anti-Catholic rioting breaks out in the region of Chouf. The bishops of Lebanon speak out against the purchase of lands in Christian neighbourhoods, which they point out is changing the demographic face of the nation.

June - Three terrorists die in the premature explosion of a bomb they were preparing at the site of a meeting of Orthodox and Catholic bishops

October - Christian political leaders are the targets in a series of arrests; several are taken to Damascus and held there.

December - A Christian cemetery is desecrated in Mansourieh, an apparent warning to Christians that they should not celebrate Christmas.

1994 February - A bomb placed in a Catholic Church explodes during Mass, killing eight worshippers; the terrorist act following several days after the massacre of Muslims by an Israeli extremist in Hebron.

June - Prime minister Hariri ordered the shut down of ICN television and the Nida'al Watan daily newspaper after they expressed concerns by Christians over the prime minister's land purchases in traditionally Christian areas[19].

July - The Maronite bishops issued a new warning about the loss of equilibrium between Christians and Muslims in the nation's government.

2000 January - A group of Islamic militants stormed a Christian village killing one resident, while engaging in fighting with the Lebanese Army.

September - The Maronite Bishops' council called for the withdrawal of Syria from Lebanon, thus voicing a Christian protest to such presence.

December - Syria freed about 50 mostly Lebanese Christians political prisoners. However, human rights groups have put the number of Lebanese political prisoners in Syrian jails at anywhere between several hundred and several thousand[20].

2001 August - The arrest of 200 Christian youths following their demands at a rally for a Syrian withdrawal. The former advisor to Samir Geagea, Twefic Hindi, was arrested as well as Aoun's representative Nadim Lteif. They were accused of collaboration with Israel and treason.

September - The Maronite Bishops' Council renewed its call for the withdrawal and asked Christians not to leave the country.

October - Two churches in Sidon and Tripoli were attacked, reinforcing the fact that Christians are still finding it very hard to be optimistic about their safety in their homeland.

2002 January - The former commander of the Phalangist army (Lebanese Forces) and a former minister Elie Hobeika was assassinated in Beirut along with his three bodyguards.

Chapter 8 - Implication of the Christian's decline in Lebanon

The lessons of war had taught Christians that the Muslim power brokers in the area .e.g Syria would not accept an establishment of a small Christian country. Christians now hope that the Muslims will not take the opportunity and attack them in a final assault to take total control of Lebanon.

The survival of the Christians will depend on their internal unity and on the will of Muslims to allow the existence of a Christian minority in Lebanon. As Christian numbers are falling in Lebanon, Muslims will always control the destiny of Lebanon and its inhabitants, especially the Christians. One option left for the Christians is to resist giving their remaining power to Muslims and to increase the birth rate and remain in Lebanon. Marguerite Johnson was optimistic of Christian survival:

The Christians may lose their predominant position, but whether in Beirut or among the cedars of Mount Lebanon, they will undoubtedly retain the stubborn will to survive that has made them both an asset and a menace to their Muslim neighbours for twelve centuries[1].

There is evidence that Christians, still have the resolve to remain influential in Lebanon. Charles Sennott said that the Maronite Patriarchate filed a suit against the Hariri government's 1995 program that naturalised some 300,000 Muslims from Syria, Iraq and other countries[2]. The Patriarchate thought that the move would further marginalise Christians in Lebanon[3].

Charles Sennott considered that the death of George Saade, leader of Lebanon's Phalanges party, the largest Maronite political entity, symbolised the end of the dominant role Christians have played in government[4]. This is an accurate description of the current Christian status in Lebanon. A majority of Christians are not optimistic of their survival in Lebanon-they simply wonder about what sort of future they will have in Lebanon.

Epilogue

These are anxious days for Lebanon's Christian community, now less powerful and privileged than at any time since the country was created. The Christian's privileged status in Lebanon was challenged due to the demographic shift that increasingly favoured the Muslims over them. Moreover, their status was challenged by the rise of a radicalised Muslim intellectual class who were supportive of a socio-political change and pan-Arabism[1].

Abbott Paul Naaman said that the Maronites today must follow in the footsteps of all those who came before and worked for centuries to accomplish this mission[2]. The remaining Christians in Lebanon ought to remember that they must preserve Lebanon for their children. They just ought not to give more concessions to Muslims without written guarantees. Christians need to be represented by powerful Christian leaders.

Christians are now worried that Muslims, with their numerical advantage, will persist in demanding more power. However, Antoine Najm noted that a Christian scholar Reverend Jean Ducruet offers a solution for Christian problems[3]. Ducruet said that a new political system ought to be established in which all confessions share in the making of national decisions and in which not one confession can impose on the nation what is not acceptable to the tradition of the other confession[4]. He added that a numerical majority is not compatible with consensual democracy, which necessitates a coalition government and a mutual veto on decisions that are seen as contrary to the vital interests of any community⁵. It is a sensible proposal, which will protect Christians in Lebanon. However, it is not expected that the Muslim majority will agree. They hope for the abolishment of the sectarian system, so they can run the country completely.

By now, the cause of Christians is all but defunct, where their survival is uncertain.

-- Fouad Abi-Esber BA MA

Additional Resources:

For additional reading on the status of persecution of Eastern Christians, please read detailed accounts in this site "Persecution of Maronites and other Eastern Christians[39]," "The Syriacs[40]," "The Palestinian Christian: Betrayed, Persecuted, Sacrificed[41]," and in the Assyrian site: "Genocides Against the Assyrian Nation[42]" or in the "CopticWeb dedicates to the persecuted Copts of Egypt[43]".

By Fouad Abi-Esber

Sources:

<http://phoenicia.org/christiansmea.html>

1. Abu-Hamad Aziz, Communal strife in Lebanon: Ancient animosities or state intervention? *Journal of International Affairs*; New York; summer 1995.
2. Akarli Engin Deniz, *The Long Peace, Ottoman Lebanon, 1861-1920*, (University of California Press, Los Angeles, 1993)
3. Andrews John, A War with Many Losers, *The Economist*, London, Feb 24, 1996.
4. Asmar Christine, Maroun Kisirwani; Robert Springborg, Clash of politics or civilisations? Sectarianism among youth in Lebanon, *Arab Studies Quarterly*, Fall 1999 v21 i4 p 35.
5. Barakat Halim, *Toward A Viable Lebanon*, Croom Helm London and Sydney, Centre for Contemporary Arab Studies, Georgetown University Washington 1988.
6. Betts Robert Brenton, *Lebanon Defied, Musa al-Sadr and the Shi'a community Middle East Policy*, Washington, Jan 1998.
7. Brynen Rex, *The Lebanese Civil War (1975-76). Sanctuary and survival: The PLO in Lebanon* Boulder: Westview Press, 1990.
8. Ellis C Kail, Lebanon: The Struggle of a Small Country in a regional context, *Arab Studies Quarterly*, winter 1999 v21 i1 p 5, 1999
9. George Alan, Lebanon militia leader is easy scapegoat, *Jane's Intelligence Review*; Coulsdon; Aug 1, 1997
10. Gerjes A Fawaz, *The Lebanese conflict: Looking Inward*; *Political Science Quarterly*, New York, Fall, 1999.
11. Gordon C David, *The Republic of Lebanon, Nation in Jeopardy*, boulder, Colo: London: Westview Press, Croom Helm 1983.
12. Haddad Simon, Sectarian attitudes as a function of the Palestinians presence in Lebanon, *Arab Studies Quarterly*, Summer 2000 v22 i3 p81
13. Hage Ghassan, Nationalist anxiety or the fear of losing your other, *The Australian Journal of Anthropology*, Sydney 1996.
14. Halsall Paul, Internet Modern History sourcebook <http://www.fordham.edu/halsall/mod/1957eisenhowerdoctrine.html>, 7/7/2001
15. Hanf Theodor, *Coexistence in wartime Lebanon Decline of a State and Rise of a nation*, translated from German by John Richardson, the centre for Lebanese Studies in association with LB Tauris and co Ltd publishers London, 1993.
16. Harb Tom, American Maronite union to Powell: Jebran is Lebanese not Arab, *Lebanon Bulletin*, Press Release, May 9th, 2001.
17. Harik P Judith, Khashan Hilal, Lebanon's Divisive Democracy: the Parliamentary Elections of 1992, *Arab Studies Quarterly*, winter 1993 v15 n1 41.
18. Harris William *Faces of Lebanon, Sects, Wars, and Global Extensions*, Markus Wiener Publishers Princeton, 1997.
19. Irani Emile George, the Breakdown of the State in Lebanon. 1967-1976, book review, *The Middle East Journal*, Spring 2001 v55 i2 p 320, 2001.
20. Jehl Douglas, Troubled Christian Minority awaits the Pope in Lebanon, *New York Times*, New York, May 9, 1997.
21. Johnson Marguerite, Arabs who look to the West; with guns and crosses, Lebanon's Christians try to survive, *Time*, March 5, v123 p 29, 1984
22. Khalaf Tewfik, *The Phalanges and the Maronite community*, in *Essays on the Crisis in Lebanon* edited by Roger Owen, 1976.
23. Khashan Hilal, Arab Christians as Symbols, *Middle East Quarterly*, Winter 2001 v 8 i1 p5, Transaction Publishers, Inc.

24. Kolvenbach Peter-Hans, Maronites between two worlds, <http://www.stmaron.org/twoworld.html> , 6/6/2001
25. Library of Congress, The opposing Forces in the Lebanese Civil war, Federal Research division http://rs6.loc.gov/frd/cs/lebanon/lb_appnb.html ,6/6/2001
26. Naaman Paul, Church and Politics in the Maronite Experience (1516-1943), The Journal of the Maronite Research Institute, The Journal of the Maronite Studies (JMS), January 1998 <http://www.mari.org/JMS/january98/> , 6/6/2001
27. Najm Antoine, Envisioning A formula for living together in Lebanon in light of the Apostolic Exhortation, The Journal of Maronite Studies, the Maronite Research Institute April 1998. <http://www.mari.org/JMS/april98/> ,8/6/2001
28. Navalpotro Jose, Destiny (In Danger of Extinction), Palabra magazine, Madrid July 2000.
29. Ofeish Sami, Lebanon's Second Republic: Secular Talk, Sectarian Application. Arab Studies Quarterly, Winter v21 i1 p97, 1999
30. Rabinovich Itamar, The war for Lebanon 1970-1983-Ithaca And London, Cornell University press, 1984.
31. Sachs Susan, Syria Frees about 50 of Its Lebanese prisoners, New York, Times, New York, N.Y, Dec 12, 2000
32. Seaver M Brenda, The regional Sources of Power-sharing Failure: The case of Lebanon, Political Science Quarterly, Summer 2000, v115 i2 p247.
33. Sennott M Charles, Christians in Decline in Lebanon, The Boston Globe, City edition 1999.
34. Spagnolo P John, France and Ottoman 1861-1914 London:Ithaca Press, 1997.
35. Tomass Mark, Game theory with instrumentally irrational players: A Case Study of Civil War and Sectarian Cleansing, Journal of Economic Issues, Lincoln; June 1997.
36. Yeranian, Edward, Christians in Lebanon see hopes, numbers diminish, Christian Science Monitor, vol89 Issue 115, p7-10, 1997.
37. Zamir Meir, The formation of modern Lebanon, London, Dover, H, Groon Helm, 1985.
38. Zisser Eyal, The Maronites, Lebanon and the State of Israel: early contacts, Middle Eastern Studies, October 1995 v31 n4 p889.
39. <http://phoenicia.org/persecution1860.html>
40. <http://phoenicia.org/syriacs.html#SyriacMassac>
41. <http://phoenicia.org/xtianpalestine.html>
42. <http://www.aina.org/martyr.htm>
43. <http://www.copticweb.com/>
44. <http://phoenicia.org/maronites.html>
45. <http://phoenicia.org/persecution1860.html>
46. <http://phoenicia.org/xtian.html>
47. <http://phoenicia.org/xtiantranslateforarabs.html>
48. <http://phoenicia.org/melkites.html>
49. <http://www.coptic.net/EncyclopediaCoptica/>
50. <http://53.415.-2.973plus37:OHawrpc639174173148Γh>

Also, see interview with Brigitte Gabriel – American Congress for Truth
<http://video.google.com/videoplay?docid=-3928169851397891989#>

1.20 Battle of Poitiers (Battle of Tours) – First Islamic Wave – Year 732

The **Battle of Tours** (October 10, 732), also called the **Battle of Poitiers** and in Arabic: "ma'arakat Balâṭ ash-Shuhadâ') Battle of Court of The Martyrs, was fought in an area between the cities of Poitiers and Tours, near the village of Moussais-la-Bataille (modern Vouneuil-sur-Vienne) about 20km north of Poitiers. The location of the battle was close to the border between the Frankish realm and then-independent Aquitaine. The battle pitted Frankish and Burgundian forces under Austrasian Mayor of the Palace Charles Martel against an army of the Umayyad Caliphate led by 'Abdul Rahman Al Ghafiqi, Governor-general of al-Andalus. The Franks were victorious, 'Abdul Rahman Al Ghafiqi was killed, and Charles subsequently extended his authority in the south. Ninth-century chroniclers, who interpreted the outcome of the battle as divine judgment in his favour, gave Charles the nickname Martellus ("The Hammer"). Details of the battle, including its exact location and the exact number of combatants, cannot be determined from accounts that have survived. Notably, the Frankish troops won the battle without cavalry.

As later chroniclers praised Charles Martel as the champion of Christianity, pre-20th century historians began to characterise this battle as being the decisive turning point in the struggle against Islam, a struggle which preserved Christianity as the religion of Europe. "Most of the 18th and 19th century historians, like Gibbon, saw Poitiers (Tours), as a landmark battle that marked the high tide of the Muslim advance into Europe." Leopold von Ranke felt that "Poitiers was the turning point of one of the most important epochs in the history of the world."

While modern historians are divided and there is considerable disagreement as to whether or not the victory was responsible — as Gibbon and his generation of historians claimed, and which is echoed by many modern historians — for saving Christianity and halting the conquest of Europe by Islam, there is little dispute that the battle helped lay the foundations of the Carolingian Empire and Frankish domination of Europe for the next century. "The establishment of Frankish power in western Europe shaped that continent's destiny and the Battle of Tours confirmed that power."



Background

The Battle of Tours followed twenty years of Umayyad conquests in Europe which had begun with the invasion of the Visigothic Christian Kingdoms of the Iberian peninsula in 711. These were followed by military expeditions into the Frankish territories of Gaul, former provinces of the Roman Empire. Umayyad military campaigns had reached northward into Aquitaine and Burgundy, including a major engagement at Bordeaux and a raid on Autun. Charles' victory is widely believed to have stopped the northward advance of Umayyad forces from the Iberian peninsula, and to have preserved Christianity in Europe during a period when Muslim rule was overrunning the remains of the old Roman and Persian Empires.

Most historians assume that the two armies met where the rivers Clain and Vienne join between Tours and Poitiers. The number of troops in each army is not known. Drawing on non-contemporary Muslim sources, Creasy describes the Umayyad forces as 80,000 strong or more. Writing in 1999, Paul K. Davis estimates the Umayyad forces at 80,000 and the Franks at about 30,000, while noting that modern historians have estimated the strength of the Umayyad army at Tours at between 20–80,000. Edward J. Schoenfeld (rejecting the older figures of 60–400,000 Umayyad and 75,000 Franks) contends that "estimates that the Umayyads had over fifty thousand troops (and the Franks even more) are logistically impossible." Another modern military historian, Modern historians may be more accurate than the medieval sources as the modern figures are based on estimates of the logistical ability of the countryside to support these numbers of men and animals. Both Davis and Hanson point out that both armies had to live off the countryside, neither having a commissary system sufficient to provide supplies for a campaign. Losses during the battle are unknown but chroniclers later claimed that Charles Martel's force lost about 1,500 while the Umayyad force was said to have suffered massive casualties of up to 375,000 men. However, these same casualty figures were recorded in the *Liber pontificalis* for Duke Odo of Aquitaine's victory at the Battle of Toulouse (721). Paul the Deacon reported correctly in his *Historia Langobardorum*

(written around the year 785) that the *Liber pontificalis* mentioned these casualty figures in relation to Odo's victory at Toulouse (though he claimed that Charles Martel fought in the battle alongside Odo), but later writers, probably "influenced by the *Continuations of Fredegar*, attributed the Saracen casualties solely to Charles Martel, and the battle in which they fell became unequivocally that of Poitiers." The *Vita Pardulfi*, written in the middle of the eighth century, reports that after the battle 'Abd-al-Raḥmān's forces burned and looted their way through the Limousin on their way back to Al-Andalus, which implies that they were not destroyed to the extent imagined in the *Continuations of Fredegar*.

The opponents

The invasion of Hispania, and then Gaul, was led by the Umayyad Dynasty, the first dynasty of caliphs of the Islamic empire after the reign of the Four Rightly Guided Caliphs (Abu Bakr, Umar, Uthman, and Ali) ended. The Umayyad Caliphate, at the time of the Battle of Tours, was perhaps the world's foremost military power. Great expansion of the Caliphate occurred under the reign of the Umayyads. Muslim armies pushed across North Africa and Persia through the late 600s; forces led by Tariq ibn-Ziyad crossed Gibraltar and established Muslim power in the Iberian peninsula, while other armies established power far away in Sind, in what is now the modern state of Pakistan. The Muslim empire under the Umayyads was now a vast domain that ruled a diverse array of peoples. It had destroyed what were the two former foremost military powers, the Sassanid Empire, which it absorbed completely, and the Byzantine Empire, most of which it had absorbed, including Syria, Armenia and North Africa, although Leo the Isaurian successfully defended Anatolia at the Battle of Akroinon (739) in the final campaign of the Umayyad dynasty.

The Frankish realm under Charles Martel was the foremost military power of Western Europe. It consisted of what is today most of France (Austrasia, Neustria and Burgundy), most of Western Germany, and the low countries. The Frankish realm had begun to progress towards becoming the first real imperial power in Western Europe since the fall of Rome, as it struggled against external forces such as the Saxons, Frisians, and internal opponents such as Odo the Great (Old French: Eudes), the Duke of Aquitaine.

Muslim conquests from Hispania

The Umayyad troops, under Al-Samh ibn Malik al-Khawlani, the governor-general of al-Andalus, overran Septimania by 719, following their sweep up the Iberian peninsula. Al-Samh set up his capital from 720 at Narbonne, which the Moors called Arbūna. With the port of Narbonne secure, the Umayyads swiftly subdued the largely unresisting cities of Alet, Béziers, Agde, Lodève, Maguelonne, and Nîmes, still controlled by their Visigothic counts.

The Umayyad campaign into Aquitaine suffered a temporary setback at the Battle of Toulouse (721), when Duke Odo of Aquitaine (also known as Eudes the Great) broke the siege of Toulouse, taking Al-Samh ibn Malik's forces by surprise and mortally wounding the governor-general Al-Samh ibn Malik himself. This defeat did not stop incursions into old Roman Gaul, as Muslim forces, soundly based in Narbonne and easily resupplied by sea, struck eastwards in the 720s, penetrating as far as Autun in Burgundy in 725.

Threatened by both the Umayyads in the south and by the Franks in the north, in 730 Eudes allied himself with the Berber emir Uthman ibn Naissa, called "Munuza" by the Franks, the deputy governor of what would later become Catalonia. As a gage, and to seal the alliance, Uthman was given Eudes's daughter Lampade in marriage, and Arab raids across the Pyrenees, Eudes's southern border, ceased. However, the next year, Uthman rebelled against the governor of al-Andalus, 'Abd-al-Raḥmān, who quickly

crushed the revolt and directed his attention against Eudes. 'Abd-al-Raḥmān had brought a huge force of Arab heavy cavalry and Berber light cavalry, plus troops from all provinces of the Caliphate, in the Umayyad attempt at a conquest of Europe north of the Pyrenees. According to one unidentified Arab, "*That army went through all places like a desolating storm.*" Duke Eudes (called King by some), collected his army at Bordeaux, but was defeated, and Bordeaux was plundered. The slaughter of Christians at the Battle of the River Garonne was evidently horrific; the *Mozarabic Chronicle of 754* commented, "*solus Deus numerum morientium vel pereuntium recognoscat*", ("God alone knows the number of the slain"). The Umayyad horsemen then utterly devastated that portion of Gaul, their own histories saying the "faithful pierced through the mountains, trampled over rough and level ground, plundered far into the country of the Franks, and smote all with the sword, insomuch that when Eudo came to battle with them at the River Garonne, he fled."

Eudes' appeal to the Franks

Eudes appealed to the Franks for assistance, which Charles Martel only granted after Eudes agreed to submit to Frankish authority.

It appears as if the Umayyads were not aware of the true strength of the Franks. The Umayyad forces were not particularly concerned about any of the Germanic tribes, including the Franks, and the Arab Chronicles, the history of that age, show that awareness of the Franks as a growing military power only came after the Battle of Tours.

Further, the Umayyads appear not to have scouted northward for potential foes, for if they had, they surely would have noted Charles Martel as a force to be reckoned with in his own account, due to his thorough domination of Europe from 717: this might have alerted the Umayyads that a real power led by a gifted general was rising in the ashes of the Western Roman Empire.

Advance toward the Loire

In 732, the Umayyad advance force was proceeding north toward the River Loire having outpaced their supply train and a large part of their army. Essentially, having easily destroyed all resistance in that part of Gaul, the invading army had split off into several raiding parties, while the main body advanced more slowly.

The Umayyad attack was likely so late in the year because many men and horses needed to live off the land as they advanced; thus they had to wait until the area's wheat harvest was ready and then until a reasonable amount of the harvest was threshed (slowly by hand with flails) and stored. The further north, the later the harvest is, and while the men could kill farm livestock for food, horses cannot eat meat and needed grain as food. Letting them graze each day would take too long, and interrogating natives to find where food stores were kept would not work where the two sides had no common language.

A military explanation for why Eudes was defeated so easily at Bordeaux and at the Battle of the River Garonne after having won 11 years earlier at the Battle of Toulouse is simple. At Toulouse, Eudes managed a basic surprise attack against an overconfident and unprepared foe, all of whose defensive works were aimed inward, while he attacked from the outside. The Umayyad forces were mostly infantry, and what cavalry they had never got a chance to mobilise and meet him in open battle. As Herman de Carinthia wrote in one of his translations of a history of al-Andalus, Eudes managed a highly successful encircling envelopment which took the attackers totally by surprise — and the result was a chaotic slaughter of the Muslim forces.

At Bordeaux, and again at the Battle of the River Garonne, the Umayyad forces were cavalry, not infantry, and were not taken by surprise, and given a chance to mass for battle, this led to the devastation of Eudes's army, almost all of whom were killed with minimal losses to the Muslims. Eudes's forces, like other European troops of that era, lacked stirrups, and therefore had no heavy cavalry. Virtually all of their troops were infantry. The Umayyad heavy cavalry broke the Christian infantry in their first charge, and then slaughtered them at will as they broke and ran.

The invading force went on to devastate southern Gaul. A possible motive, according to the second continuator of Fredegar, was the riches of the Abbey of Saint Martin of Tours, the most prestigious and holiest shrine in Western Europe at the time. Upon hearing this, Austrasia's Mayor of the Palace, Charles Martel, collected his army and marched south, avoiding the old Roman roads and hoping to take the Muslims by surprise. Because he intended to use a phalanx, it was essential for him to choose the battlefield. His plan — to find a high wooded plain, form his men and force the Muslims to come to him — depended on the element of surprise.

Battle

Preparations and maneuver

From all accounts, the invading forces were caught entirely off guard to find a large force, well disposed and prepared for battle, with high ground, directly opposing their attack on Tours. Charles had achieved the total surprise he hoped for. He then chose to begin the battle in a defensive, phalanx-like formation. According to the Arabian sources, the Franks drew up in a large square, with the trees and upward slope to break any cavalry charge.

For seven days, the two armies watched each other with minor skirmishes. The Umayyads waited for their full strength to arrive, which it did, but they were still uneasy. 'Abd-al-Raḥmān, despite being a good commander, had managed to let Charles bring his army to full strength and pick the location of the battle. Furthermore, it was difficult for the Umayyads to judge the size of the army opposing them, since Charles had used the trees and forest to make his force appear larger than it probably was. Thus, 'Abd-al-Raḥmān recalled all his troops, which did give him an even larger army — but it also gave Charles time for more of his veteran infantry to arrive from the outposts of his Empire. These infantry were all the hope for victory he had. Seasoned and battle hardened, most of them had fought with him for years, some as far back as 717. Further, he also had levies of militia arrive, but the militia was virtually worthless except for gathering food, and harassing the Muslims. Unlike his infantry, which was both experienced and disciplined, the levies were neither, and Charles had no intention of depending on them to stand firm against cavalry charges (Most historians through the centuries have believed the Franks were badly outnumbered at the onset of battle by at least 2-1.). Charles gambled everything that 'Abd-al-Raḥmān would in the end feel compelled to battle, and to go on and loot Tours. Neither of them wanted to attack - but Abd-al-Raḥmān felt in the end obligated to sack Tours, which meant literally going through the Frankish army on the hill in front of him. Charles's decision to wait in the end proved crucial, as it forced the Umayyads to rush uphill, against the grade and the woods, which in and of themselves negated a large part of the natural advantages of a cavalry charge.

Charles had been preparing for this confrontation since Toulouse a decade before. He was well aware that if he failed, no other Christian force remained able to defend western Christianity. But Gibbon believes, as do most pre and modern historians, that Charles had made the best of a bad situation. Though outnumbered and depending on infantry, without heavy cavalry, Charles had a tough, battle-hardened heavy infantry who believed in him implicitly. Moreover, as Davis points out, this infantry was heavily armed, each man

carrying up to perhaps 75 pounds of wood and iron armour into battle. Formed in a phalanx, they were better able to resist a cavalry charge than might be conventionally thought, especially as Charles had been able to secure them the high ground and trees to further aid breaking such charges. Charles also had the element of surprise, in addition to being allowed to pick the ground.

The Franks in their wolf and bear pelts were well dressed for the cold, and had the terrain advantage. The Arabs were not as prepared for the intense cold of an oncoming northern European winter, despite having tents, which the Franks did not, but did not want to attack a Frankish army they believed may have been numerically superior. Essentially, the Umayyads wanted the Franks to come out in the open, while the Franks, formed in a tightly packed defensive formation, wanted them to come uphill, into the trees, diminishing at once the advantages of their cavalry. It was a waiting game which Charles won: the fight began on the seventh day, as 'Abd-al-Raḥmân did not want to postpone the battle indefinitely with winter approaching.

Engagement

'Abd-al-Raḥmân trusted the tactical superiority of his cavalry, and had them charge repeatedly. This time the faith the Umayyads had in their cavalry, armed with their long lances and swords which had brought them victory in previous battles, was not justified.

In one of the instances where medieval infantry stood up against cavalry charges, the disciplined Frankish soldiers withstood the assaults, though according to Arab sources, the Arab cavalry several times broke into the interior of the Frankish square. "The Muslim horsemen dashed fierce and frequent forward against the battalions of the Franks, who resisted manfully, and many fell dead on either side."

Despite this, the Franks did not break. It appears that the years of year-round training that Charles had bought with Church funds, paid off. His hard-trained soldiery accomplished what was not thought possible at that time: infantry withstood the Umayyad heavy cavalry. Paul Davis says the core of Charles's army was a professional infantry which was both highly disciplined and well motivated, "having campaigned with him all over Europe," buttressed by levies that Charles basically used to raid and disrupt his enemy, and gather food for his infantry. *The Mozarabic Chronicle of 754* says:

"And in the shock of the battle the men of the North seemed like a sea that cannot be moved. Firmly they stood, one close to another, forming as it were a bulwark of ice; and with great blows of their swords they hewed down the Arabs. Drawn up in a band around their chief, the people of the Austrasians carried all before them. Their tireless hands drove their swords down to the breasts of the foe."

The battle turns

Those Umayyad troops who had broken into the square had tried to kill Charles, but his liege men surrounded him and would not be broken. The battle was still in flux when Frankish histories claim that a rumour went through the Umayyad army that Frankish scouts threatened the booty that they had taken from Bordeaux. Some of the Umayyad troops at once broke off the battle and returned to camp to secure their loot. According to Muslim accounts of the battle, in the midst of the fighting on the second day (Frankish accounts have the battle lasting one day only), scouts from the Franks sent by Charles began to raid the camp and supply train (including slaves and other plunder).

Charles supposedly had sent scouts to cause chaos in the Umayyad base camp, and free as many of the slaves as possible, hoping to draw off part of his foe. This succeeded, as

many of the Umayyad cavalry returned to their camp. To the rest of the Muslim army, this appeared to be a full-scale retreat, and soon it became one. Both Western and Muslim histories agree that while trying to stop the retreat, 'Abd-al-Rahmān became surrounded, which led to his death, and the Umayyad troops then withdrew altogether to their camp. "All the host fled before the enemy", candidly wrote one Arabic source, "and many died in the flight". The Franks resumed their phalanx, and rested in place through the night, believing the battle would resume at dawn the following morning.

Following day

The next day, when the Umayyad forces did not renew the battle, the Franks feared an ambush. Charles at first believed that the Umayyad forces were trying to lure him down the hill and into the open. This tactic he knew he had to resist at all costs; he had in fact disciplined his troops for years to under no circumstances break formation and come out in the open. (See the Battle of Hastings for the results of infantry being lured into the open by armoured cavalry.) Only after extensive reconnaissance of the Umayyad camp by Frankish soldiers — which by both historical accounts had been so hastily abandoned that even the tents remained, as the Umayyad forces headed back to Iberia with what loot remained that they could carry — was it discovered that the Muslims had retreated during the night.

Given the disparity between the armies, in that the Franks were mostly infantry, against Berber cavalry and armoured or mailed Arab horsemen (the Berbers were less heavily protected), Charles Martel fought a brilliant defensive battle. In a place and time of his choosing, he met a far superior force, and defeated it.

Contemporary accounts

The Mozarabic Chronicle of 754 "describes the battle in greater detail than any other Latin or Arabic source". It says of the encounter that,

While Abd ar-Rahman was pursuing Eudes, he decided to despoil Tours by destroying its palaces and burning its churches. There he confronted the consul of Austrasia by the name of Charles, a man who, having proved himself to be a warrior from his youth and an expert in things military, had been summoned by Eudes. After each side had tormented the other with raids for almost seven days, they finally prepared their battle lines and fought fiercely. The northern peoples remained as immobile as a wall, holding together like a glacier in the cold regions. In the blink of an eye, they annihilated the Arabs with the sword. The people of Austrasia, greater in number of soldiers and formidably armed, killed the king, Abd ar-Rahman, when they found him, striking him on the chest. But suddenly, within sight of the countless tents of the Arabs, the Franks despicably sheathed their swords postponing the fight until the next day since night had fallen during the battle. Rising from their own camp at dawn, the Europeans saw the tents and canopies of the Arabs all arranged just as they had appeared the day before. Not knowing that they were empty and thinking that inside them there were Saracen forces ready for battle, they sent officers to reconnoitre and discovered that all the Ishmaelite troops had left. They had indeed fled silently by night in tight formation, returning to their own country.

Wolf (trans), *Chronicle of 754*, p. 145

Charles Martel's family composed, for the fourth book of the *Continuations of Fredegar's Chronicle*, a stylised summary of the battle:

Prince Charles boldly drew up his battle lines against them [the Arabs] and the warrior rushed in against them. With Christ's help he overturned their tents, and hastened to battle to grind them small in slaughter. The king Abdirama having been killed, he destroyed [them], driving forth the army, he fought and won. Thus did the victor triumph over his enemies.

Fouracre, Continuations of Fredegar, p. 149

This source details further that "he (Charles Martel) came down upon them like a great man of battle". It goes on to say Charles "scattered them like the stubble".

The references to "rushing in" and "overturning their tents" may allude to the phraseology of the Book of Numbers, chapter 24, "where the Spirit of God 'rushed in' to the tents of Israel." The Latin word used for "warrior", *belligerator*, "is also biblical, from the Book of Maccabees, chapters 15 and 16, which describe huge battles.

It is thought that *Bede's Historiam Ecclesiasticam Gentis Anglorum* (Chapter XXIII) includes a reference to the Battle of Poitiers: "...a dreadful plague of Saracens ravaged France with miserable slaughter, but they not long after in that country received the punishment due to their wickedness".

Strategic analysis

'Abd-al-Raḥmān was a good general and should have done two things he failed to do. Gibbon makes the point that he did not move at once against Charles Martel, was surprised by him at Tours as Charles had marched over the mountains avoiding the roads to surprise the Muslim invaders, and thus the wily Charles selected the time and place they would collide:

- 'Abd-al-Raḥmān either assumed that the Franks would not come to the aid of their Aquitanian rivals, or did not care, and he thus failed to assess their strength before invasion.

- He failed to scout the movements of the Frankish army, and Charles Martel.

Having done either, he would have curtailed his lighthouse ravaging throughout lower Gaul, and marched at once with his full power against the Franks. This strategy would have nullified every advantage Charles had at Tours:

The invaders would have not been burdened with booty that played such a huge role in the battle.

They would have not lost one warrior in the battles they fought before Tours. (Though they lost relatively few men in overrunning Aquitaine, they suffered some casualties, losses that may have been pivotal at Tours).

They would have bypassed weaker opponents such as Eudes, whom they could have picked off at will later, while moving at once to force battle with the real power in Europe, and at least partially picked the battlefield.

While some military historians point out that leaving enemies in your rear is not generally wise, the Mongols proved that indirect attack, and bypassing weaker foes to eliminate the strongest first, is a devastatingly effective mode of invasion. In this case, those enemies were virtually no danger, given the ease with which the Muslims destroyed

them. The real danger was Charles, and the failure to scout Gaul adequately was disastrous.

According to Creasy, the Muslims' best strategic choice would have been to simply decline battle, depart with their loot, garrisoning the captured towns in southern Gaul, and return when they could force Charles to a battleground more to their liking, one that maximised the huge advantage they had in their mailed and armoured horsemen. It might have been different, however, had the Muslim forces remained under control. Both western and Muslim histories agree the battle was hard fought, and that the Umayyad heavy cavalry had broken into the square, but agreed that the Franks were in formation still strongly resisting.

Charles could not afford to stand idly by while Frankish territories were threatened. He would have to face the Umayyad armies sooner or later, and his men were enraged by the utter devastation of the Aquitanians and wanted to fight. But Sir Edward Creasy noted that:

when we remember that Charles had no standing army, and the independent spirit of the Frank warriors who followed his standard, it seems most probable that it was not in his power to adopt the cautious policy of watching the invaders, and wearing out their strength by delay. So dreadful and so widespread were the ravages of the Saracenic light cavalry throughout Gaul, that it must have been impossible to restrain for any length of time the indignant ardor of the Franks. And, even, if Charles could have persuaded his men to look tamely on while the Arabs stormed more towns and desolated more districts, he could not have kept an army together when the usual period of a military expedition had expired.

Both Hallam and Watson argue that had Charles failed, there was no remaining force to protect Western Europe. Hallam perhaps said it best: "It may justly be reckoned among those few battles of which a contrary event would have essentially varied the drama of the world in all its subsequent scenes: with Marathon, Arbela, the Metaurus, Châlons and Leipzig."

Strategically, and tactically, Charles probably made the best decision he could in waiting until his enemies least expected him to intervene, and then marching by stealth to catch them by surprise at a battlefield of his choosing. Probably he and his own men did not realise the seriousness of the battle they had fought, as Matthew Bennett and his co-authors, in *Fighting Techniques of the Medieval World (2005)* says: "few battles are remembered 1,000 years after they are fought [...] but the Battle of Tours is an exception [...] Charles Martel turned back a Muslim raid that had it been allowed to continue, might have conquered Gaul."

Aftermath

Umayyad retreat and second invasion

The Umayyad army retreated south over the Pyrenees. Charles continued to drive the Umayyad forces from France in subsequent years. After the death (c. 735) of Eudes, who had reluctantly acknowledged Charles' suzerainty in 719, Charles wished to unite Eudes's Duchy to himself, and went there to elicit the proper homage of the Aquitanians. But the nobility proclaimed Hunold, Eudes' son, as the Duke, and Charles recognised his legitimacy when the Umayyads entered Provence as part of an alliance with Duke Maurontus the next year. Hunold, who originally resisted acknowledging Charles as overlord, soon had little choice. He acknowledged Charles at once as his overlord, and Charles confirmed his Duchy, and the two prepared to confront the invaders. Charles believed it was vital to confine the Umayyad forces to Iberia and deny them any foothold

in Gaul, a view many historians share. Therefore he marched at once against the invaders, defeating one army outside Arles, which he took by storm and razed the city, and defeated the primary invasion force at the Battle of the River Berre, outside Narbonne.

Advance to Narbonne

Despite this, the Umayyads remained in control of Narbonne and Septimania for another 27 years, though they could not expand further. The treaties reached earlier with the local population stood firm and were further consolidated in 734 when the governor of Narbonne, Yusuf ibn 'Abd al-Rahman al-Fihri, concluded agreements with several towns on common defence arrangements against the encroachments of Charles Martel, who had systematically brought the south to heel as he extended his domains. He destroyed Umayyad armies and fortresses at the Battle of Avignon and the Battle of Nimes. The army attempting to relieve Narbonne met him in open battle at the Battle of the River Berre and was destroyed, but Charles failed in his attempt to take Narbonne by siege in 737, when the city was jointly defended by its Muslim Arab and Berber, and its Christian Visigothic citizens.

Carolingian dynasty

Reluctant to tie down his army for a siege that could last years, and believing he could not afford the losses of an all-out frontal assault such as he had used at Arles, Charles was content to isolate the few remaining invaders in Narbonne and Septimania. The threat of invasion was diminished after the Umayyad defeat at Narbonne, and the unified Caliphate would collapse into civil war in 750 at the Battle of the Zab. It was left to Charles' son, Pippin the Short, to force Narbonne's surrender in 759, thus bringing Narbonne into the Frankish domains. The Umayyad dynasty was expelled, driven back to Al-Andalus where Abd ar-Rahman I established an emirate in Cordoba in opposition to the Abbasid Caliph in Baghdad. The threat posed by the Arab heavy cavalry also receded as the Christians copied the Arab model in developing similar forces of their own, giving rise to the familiar figure of the western European medieval armoured knight.

Charles's grandson, Charlemagne, became the first Christian ruler to begin what would be called the Reconquista from Europe. In the northeast of Spain the Frankish emperors established the Marca Hispanica across the Pyrenees in part of what today is Catalonia, reconquering Girona in 785 and Barcelona in 801. This formed a buffer zone against Muslim lands across the Pyrenees. Historian J.M. Roberts said in 1993 of the Carolingian Dynasty:

"It produced Charles Martel, the soldier who turned the Arabs back at Tours, and the supporter of Saint Boniface the Evangeliser of Germany. This is a considerable double mark to have left on the history of Europe."

The last Umayyad invasions of Gaul

In 735, the new governor of al-Andalus again invaded Gaul. Antonio Santosuosso and other historians detail how the new governor of Al-Andalus, 'Uqba b. Al-Hajjaj, again moved into France to avenge the defeat at Poitiers and to spread Islam. Santosuosso notes that 'Uqba b. Al-Hajjaj converted about 2,000 Christians he captured over his career. In the last major attempt at forcible invasion of Gaul through Iberia, a sizable invasion force was assembled at Saragossa and entered what is now French territory in

735, crossed the River Rhone and captured and looted Arles. From there, he struck into the heart of Provence, ending with the capture of Avignon, despite strong resistance. Uqba b. Al-Hajjaj's forces remained in French territory for about four years, carrying raids to Lyons, Burgundy, and Piedmont. Again Charles Martel came to the rescue, reconquering most of the lost territories in two campaigns in 736 and 739, except for the city of Narbonne, which finally fell in 759. Alessandro Santosuosso strongly argues that the second (Umayyad) expedition was probably more dangerous than the first. The second expedition's failure put an end to any serious Muslim expedition across the Pyrenees, although raids continued. Plans for further large-scale attempts were hindered by internal turmoil in the Umayyad lands which often made enemies out of their own kind.

Historical and macrohistorical views

The historical views of this battle fall into three great phases, both in the East and especially in the West. Western historians, beginning with the Mozarabic Chronicle of 754, stressed the macrohistorical impact of the battle, as did the Continuations of Fredegar. This became a claim that Charles had literally saved Christianity, as Gibbon and his generation of historians agreed that the Battle of Tours was unquestionably decisive in world history.

Modern historians have essentially fallen into two camps on the issue. The first camp essentially agrees with Gibbon, and the other argues that the Battle has been massively overstated, turned from a raid in force to an invasion, and from a mere annoyance to the Caliph to a shattering defeat that helped end the Islamic Expansion Era. It is essential however, to note that within the first group, those who agree the Battle was of macrohistorical importance, there are a number of historians who take a more moderate and nuanced approach to supporting the battle's importance, rather than the more dramatic rhetoric of Gibbon. The best example of this school is William E. Watson, who does believe the battle has such importance, as will be specifically discussed below, but analyzes it militarily, culturally and politically, rather than seeing it as a classic "Muslim versus Christian" confrontation.

In the East, Arab histories followed a similar path. First, the battle was regarded as a disastrous defeat, then it faded essentially from Arab histories, leading to a modern dispute which regards it as either a secondary loss to the great defeat of the Second Siege of Constantinople or a part of a series of great macrohistorical defeats which together brought about the fall of the first Caliphate. Essentially, many modern Muslim scholars argue that the first Caliphate was a jihadist state which could not withstand an end to its constant expansion. With the Byzantines and Franks both successfully blocking further expansion, internal social troubles came to a head, starting with the Great Berber Revolt of 740, and ending with the Battle of the Zab, and the destruction of the Umayyad Caliphate.

In Western history

The first wave of real "modern" historians, especially scholars on Rome and the medieval period, such as Edward Gibbon, contended that had Charles fallen, the Umayyad Caliphate would have easily conquered a divided Europe. Gibbon famously observed:

A victorious line of march had been prolonged above a thousand miles from the rock of Gibraltar to the banks of the Loire; the repetition of an equal space would have carried the Saracens to the confines of Poland and the Highlands of Scotland; the Rhine is not more impassable than the Nile or Euphrates, and the Arabian fleet might have sailed without a

naval combat into the mouth of the Thames. Perhaps the interpretation of the Koran would now be taught in the schools of Oxford, and her pulpits might demonstrate to a circumcised people the sanctity and truth of the revelation of Mahomet.

Nor was Gibbon alone in lavishing praise on Charles as the savior of Christendom and western civilisation. H.G. Wells in his *A Short History of the World said in Chapter XLV "The Development of Latin Christendom:"*

The Moslim when they crossed the Pyrenees in 720 found this Frankish kingdom under the practical rule of Charles Martel, the Mayor of the Palace of a degenerate descendant of Clovis, and experienced the decisive defeat of Poitiers (732) at his hands. This Charles Martel was practically overlord of Europe north of the Alps from the Pyrenees to Hungary. He ruled over a multitude of subordinate lords speaking French-Latin, and High and Low German languages.

Gibbon was echoed a century later by the Belgian historian Godefroid Kurth, who wrote that the Battle of Poitiers "must ever remain one of the great events in the history of the world, as upon its issue depended whether Christian Civilisation should continue or Islam prevail throughout Europe."

German historians were especially ardent in their praise of Charles Martel; Schlegel speaks of this "mighty victory", and tells how "the arm of Charles Martel saved and delivered the Christian nations of the West from the deadly grasp of all-destroying Islam." Creasy quotes Leopold von Ranke's opinion that this period was:

One of the most important epochs in the history of the world, the commencement of the eighth century, when on the one side Mohammedanism threatened to overspread Italy and Gaul, and on the other the ancient idolatry of Saxony and Friesland once more forced its way across the Rhine. In this peril of Christian institutions, a youthful prince of Germanic race, Karl Martell, arose as their champion, maintained them with all the energy which the necessity for self-defence calls forth, and finally extended them into new regions.

The German military historian Hans Delbruck said of this battle "there was no more important battle in the history of the world." (*The Barbarian Invasions*, page 441.) Had Charles Martel failed, Henry Hallam argued, there would have been no Charlemagne, no Holy Roman Empire or Papal States; all these depended upon Charles's containment of Islam from expanding into Europe while the Caliphate was unified and able to mount such a conquest. Another great mid era historian, Thomas Arnold, ranked the victory of Charles Martel even higher than the victory of Arminius in its impact on all of modern history: "Charles Martel's victory at Tours was among those signal deliverances which have affected for centuries the happiness of mankind." Louis Gustave and Charles Strauss in *Moslem and Frank; or, Charles Martel and the rescue of Europe* said "The victory gained was decisive and final, The torrent of Arab conquest was rolled back and Europe was rescued from the threatened yoke of the Saracens." (page 122)

Charles Oman, in his *History of the Art of War in the Middle Ages*, concludes that:

At Poitiers the Franks fought as they had done two hundred years before at Casilinum, in one solid mass, without breaking rank or attempting to maneuver. Their victory was won by the purely defensive tactics of the infantry square; the fanatical Arabs, dashing against them time after time, were shattered to pieces, and at last fled under shelter of night. But there was no pursuit, for Charles had determined not to allow his men to stir a step from the line to chase the broken foe. [I, 58]

Adolf Hitler says in *Hitler's Table Talk* (August 28, 1942, midday):

Had Charles Martel not been victorious at Poitiers -already, you see, the world had already fallen into the hands of the Jews, so gutless a thing Christianity! -then we should in all probability have been converted to Mohammedanism, that cult which glorifies the heroism and which opens up the seventh Heaven to the bold warrior alone. Then the Germanic races would have conquered the world. Christianity alone prevented them from doing so."

John H. Haaren says in *Famous Men of the Middle Ages*:

The battle of Tours, or Poitiers, as it should be called, is regarded as one of the decisive battles of the world. It decided that Christians, and not Moslems, should be the ruling power in Europe. Charles Martel is especially celebrated as the hero of this battle." John Bagnell Bury, writing at the beginning of the 20th century, said "The Battle of Tours... has often been represented as an event of the first magnitude for the world's history, because after this, the penetration of Islam into Europe was finally brought to a standstill.

But, as will be seen below, today's historians are very clearly divided on the importance of the battle, and where it should rank in the signal moments of military history.

In Muslim history

Eastern historians, like their Western counterparts, have not always agreed on the importance of the battle. According to Bernard Lewis, "The Arab historians, if they mention this engagement [the Battle of Tours] at all, present it as a minor skirmish," and Gustave von Grunebaum writes: "This setback may have been important from the European point of view, but for Muslims at the time, who saw no master plan imperilled thereby, it had no further significance." Contemporary Arab and Muslim historians and chroniclers were much more interested in the second Umayyad siege of Constantinople in 718, which ended in a disastrous defeat.

However, Creasy has claimed: "The enduring importance of the battle of Tours in the eyes of the Moslems is attested not only by the expressions of 'the deadly battle' and 'the disgraceful overthrow' which their writers constantly employ when referring to it, but also by the fact that no more serious attempts at conquest beyond the Pyrenees were made by the Saracens."

Thirteenth-century Moroccan author Ibn Idhari al-Marrakushi, mentioned the battle in his history of the Maghrib, "*al-Bayan al-Mughrib fi Akhbar al-Maghrib*." According to Ibn Idhari, "Abd ar-Rahman and many of his men found martyrdom on the balat ash-Shuhada'i ("the path of the martyrs)." Antonio Santosuosso points out in his book *Barbarians, Marauders and Infidels: The Ways of Medieval Warfare*, on p. 126 "they (the Muslims) called the battle's location, the road between Poitiers and Tours, "the pavement of Martyrs." However, as Henry Coppée has explained, "The same name was given to the battle of Toulouse and is applied to many other fields on which the Moslemah were defeated: they were always martyrs for the faith"

Khalid Yahya Blankinship has argued that the military defeat at Tours was amongst one of the failures that contributed to the decline of the Umayyad caliphate: "Stretching from Morocco to China, the Umayyad caliphate based its expansion and success on the doctrine of jihad--armed struggle to claim the whole earth for God's rule, a struggle that

had brought much material success for a century but suddenly ground to a halt followed by the collapse of the ruling Umayyad dynasty in 750 AD. The End of the Jihad State demonstrates for the first time that the cause of this collapse came not just from internal conflict, as has been claimed, but from a number of external and concurrent factors that exceeded the caliphate's capacity to respond. These external factors began with crushing military defeats at Byzantium, Toulouse and Tours, which led to the Great Berber Revolt of 740 in Iberia and Northern Africa."

Current historical debate on macrohistorical impact of Battle of Tours

Some modern historians argue that the Battle of Tours was of no great historical significance while others continue to contend that Charles Martel's victory was important in European or even world history.

Supporting the significance of Tours as a world-altering event

William E. Watson, strongly supports Tours as a macrohistorical event, but distances himself from the rhetoric of Gibbons and Drubeck, writing, for example, of the battle's importance in Frankish, and world, history in 1993:

There is clearly some justification for ranking Tours-Poitiers among the most significant events in Frankish history when one considers the result of the battle in light of the remarkable record of the successful establishment by Muslims of Islamic political and cultural dominance along the entire eastern and southern rim of the former Christian, Roman world. The rapid Muslim conquest of Palestine, Syria, Egypt and the North African coast all the way to Morocco in the seventh century resulted in the permanent imposition by force of Islamic culture onto a previously Christian and largely non-Arab base. The Visigothic kingdom fell to Muslim conquerors in a single battle on the Rio Barbate in 711, and the Hispanic Christian population took seven long centuries to regain control of the Iberian peninsula. The Reconquista, of course, was completed in 1492, only months before Columbus received official backing for his fateful voyage across the Atlantic Ocean. Had Charles Martel suffered at Tours-Poitiers the fate of King Roderick at the Rio Barbate, it is doubtful that a "do-nothing" sovereign of the Merovingian realm could have later succeeded where his talented major domus had failed. Indeed, as Charles was the progenitor of the Carolingian line of Frankish rulers and grandfather of Charlemagne, one can even say with a degree of certainty that the subsequent history of the West would have proceeded along vastly different currents had 'Abd ar-Rahman been victorious at Tours-Poitiers in 732.

Watson adds, "After examining the motives for the Muslim drive north of the Pyrenees, one can attach a macrohistorical significance to the encounter between the Franks and Andalusī Muslims at Tours-Poitiers, especially when one considers the attention paid to the Franks in Arabic literature and the successful expansion of Muslims elsewhere in the medieval period."

Victorian writer John Henry Haaren says in *Famous Men of the Middle Ages*, "The battle of Tours, or Poitiers, as it should be called, is regarded as one of the decisive battles of the world. It decided that Christians, and not Moslems, should be the ruling power in Europe." Bernard Grun delivers this assessment in his "Timetables of History," reissued in 2004: "In 732 Charles Martel's victory over the Arabs at the Battle of Tours stems the tide of their westward advance."

Historian and humanist Michael Grant lists the battle of Tours in the macrohistorical dates of the Roman era. Historian Norman Cantor who specialised in the medieval period, teaching and writing at Columbia and New York University, says in 1993: "It may be true that the Arabs had now fully extended their resources and they would not have conquered France, but their defeat (at Tours) in 732 put a stop to their advance to the north."

Military historian Robert W. Martin considers Tours "one of the most decisive battles in all of history." Additionally, historian Hugh Kennedy says "it was clearly significant in establishing the power of Charles Martel and the Carolingians in France, but it also had profound consequences in Muslim Spain. It signaled the end of the ghanima (booty) economy."

Military Historian Paul Davis argued in 1999, "had the Muslims been victorious at Tours, it is difficult to suppose what population in Europe could have organised to resist them." Likewise, George Bruce in his update of Harbottle's classic military history *Dictionary of Battles* maintains that "Charles Martel defeated the Moslem army effectively ending Moslem attempts to conquer western Europe."

Antonio Santosuosso puts forth an interesting modern opinion on Charles, Tours, and the subsequent campaigns against Rahman's son in 736-737. Santosuosso presents a compelling case that these later defeats of invading Muslim armies were at least as important as Tours in their defence of Western Christendom and the preservation of Western monasticism, the monasteries of which were the centers of learning which ultimately led Europe out of her Middle Ages. He also makes a compelling argument, after studying the Arab histories of the period, that these were clearly armies of invasion, sent by the Caliph not just to avenge Tours, but to begin the conquest of Christian Europe and bring it into the Caliphate.

Objecting to the significance of Tours as a world-altering event

Other historians disagree with this assessment. Alessandro Barbero writes, "Today, historians tend to play down the significance of the battle of Poitiers, pointing out that the purpose of the Arab force defeated by Charles Martel was not to conquer the Frankish kingdom, but simply to pillage the wealthy monastery of St-Martin of Tours". Similarly, Tomaž Mastnak writes:

Modern historians have constructed a myth presenting this victory as having saved Christian Europe from the Muslims. Edward Gibbon, for example, called Charles Martel the savior of Christendom and the battle near Poitiers an encounter that changed the history of the world... This myth has survived well into our own times... Contemporaries of the battle, however, did not overstate its significance. The continuators of Fredegar's chronicle, who probably wrote in the mid-eighth century, pictured the battle as just one of many military encounters between Christians and Saracens - moreover, as only one in a series of wars fought by Frankish princes for booty and territory... One of Fredegar's continuators presented the battle of Poitiers as what it really was: an episode in the struggle between Christian princes as the Carolingians strove to bring Aquitaine under their rule.

The Christian Lebanese-American historian Philip Hitti believes that "In reality nothing was decided on the battlefield of Tours. The Moslem wave, already a thousand miles from its starting point in Gibraltar - to say nothing about its base in al-Qayrawan - had already spent itself and reached a natural limit."

The view that the battle has no great significance is perhaps best summarised by Franco Cardini says in *Europe and Islam*:

Although prudence needs to be exercised in minimising or 'demythologising' the significance of the event, it is no longer thought by anyone to have been crucial. The 'myth' of that particular military engagement survives today as a media cliché, than which nothing is harder to eradicate. It is well known how the propaganda put about by the Franks and the papacy glorified the victory that took place on the road between Tours and Poitiers...

In their introduction to *The Reader's Companion to Military History* Robert Cowley and Geoffrey Parker summarise this side of the modern view of the Battle of Tours by saying "The study of military history has undergone drastic changes in recent years. The old drums-and-bugles approach will no longer do. Factors such as economics, logistics, intelligence, and technology receive the attention once accorded solely to battles and campaigns and casualty counts. Words like "strategy" and "operations" have acquired meanings that might not have been recognizable a generation ago. Changing attitudes and new research have altered our views of what once seemed to matter most. For example, several of the battles that Edward Shepherd Creasy listed in his famous 1851 book *The Fifteen Decisive Battles of the World* rate hardly a mention here, and the confrontation between Muslims and Christians at Poitiers-Tours in 732, once considered a watershed event, has been downgraded to a raid in force."

Conclusion

A number of modern historians and writers in other fields agree with Watson, and continue to maintain that this Battle was one of history's pivotal events. Professor of religion Huston Smith says in *The World's Religions: Our Great Wisdom Traditions* "But for their defeat by Charles Martel in the Battle of Tours in 733, the entire Western world might today be Muslim." Historian Robert Payne on page 142 in *The History of Islam* said "The more powerful Muslims and the spread of Islam were knocking on Europe's door. And the spread of Islam was stopped along the road between the towns of Tours and Poitiers, France, with just its head in Europe."

Popular conservative military historian Victor Davis Hanson shares his view about the battle's macrohistorical placement:

Recent scholars have suggested Poitiers, so poorly recorded in contemporary sources, was a mere raid and thus a construct of western mythmaking or that a Muslim victory might have been preferable to continued Frankish dominance. What is clear is that Poitiers marked a general continuance of the successful defence of Europe, (from the Muslims). Flush from the victory at Tours, Charles Martel went on to clear southern France from Islamic attackers for decades, unify the warring kingdoms into the foundations of the Carolingian Empire, and ensure ready and reliable troops from local estates."

Paul Davis, another modern historian who addresses both sides in the debate over whether or not this Battle truly determined the direction of history, as Watson claims, or merely was a relatively minor raid, as Cardini writes, says "whether Charles Martel saved Europe for Christianity is a matter of some debate. What is sure, however, is that his victory ensured that the Franks would dominate Gaul for more than a century."

1.21 Battle of Vienna – Second Islamic wave – Year 1683



The **Battle of Vienna**, Turkish: İkinci Viyana Kuşatması), took place on 11 and 12 September, 1683 after Vienna had been besieged by the Ottoman Empire for two months. The battle broke the advance of the Ottoman Empire into Europe, and marked the political hegemony of the Habsburg dynasty in Central Europe.

The large-scale battle was won by Polish-Austrian-German forces led by King of Poland John III Sobieski against the Ottoman Empire army commanded by Grand Vizier Merzifonlu Kara Mustafa Pasha.

The siege itself began on 14 July 1683, by the Ottoman Empire army of approximately 90,000 men. The sieging force was composed by 60 ortas of Jannisaries (12,000 men paper strength) with an observation army of c.70,000 men watching the countryside. The decisive battle took place on 12 September, after the united relief army of 84,450 men had arrived, pitted against the Ottoman army.

The battle marked the turning point in the 300-year struggle between the forces of the Central European kingdoms and the Ottoman Empire. Over the sixteen years following the battle, the Habsburgs of Austria gradually occupied and dominated southern Hungary and Transylvania, which had been largely cleared of the Turkish forces.

The capture of the city of Vienna had long been a strategic aspiration of the Ottoman Empire, due to its inter-locking control over Danubean (Black Sea-to-Western Europe) southern Europe, and the overland (Eastern Mediterranean-to-Germany) trade routes. During the years preceding the second siege (the first one was in 1529), under the auspices of grand viziers from the influential Köprülü family, the Ottoman Empire undertook extensive logistical preparations this time, including the repair and establishment of roads and bridges leading into Austria and logistical centers, as well as the forwarding of ammunition, cannon and other resources from all over the Empire to these logistical centers and into the Balkans.

On the political front, the Ottoman Empire had been providing military assistance to the Hungarians and to non-Catholic minorities in Habsburg-occupied portions of Hungary. There, in the years preceding the siege, widespread unrest had become open rebellion upon Leopold I's pursuit of Counter-Reformation principles and his desire to crush Protestantism. In 1681, Protestants and other anti-Habsburg Kuruc forces, led by Imre Thököly, were reinforced with a significant force from the Ottomans, who recognised Imre as King of "Upper Hungary" (eastern Slovakia and parts of northeastern present-day Hungary, which he had earlier taken by force of arms from the Habsburgs). This support went so far as explicitly promising the "Kingdom of Vienna" to the Hungarians if it fell into Ottoman hands.

Yet, before the siege, a state of peace had existed for twenty years between the Habsburgs and the Ottoman Empire, as a result of the Peace of Vasvár.

In 1681 and 1682, clashes between the forces of Imre Thököly and the Habsburgs' military frontier (which was then northern Hungary) forces intensified, and the incursions of Habsburg forces into Central Hungary provided the crucial argument of Grand Vizier Kara Mustafa Pasha in convincing the Sultan, Mehmet IV and his Divan, to allow the movement of the Ottoman Army. Mehmet IV authorised Kara Mustafa Pasha to operate as far as Győr and Komárom castles, both in northwestern Hungary, and to besiege them. The Ottoman Army was mobilised on January 21, 1682, and war was declared on August 6, 1682.

The logistics of the time meant that it would have been risky or impossible to launch an invasion in August or September 1682 (a three month campaign would have got the Turks to Vienna just as winter set in). However this 15 month gap between mobilisation and the launch of a full-scale invasion allowed ample time for the Habsburg forces to prepare their defence and set up alliances with other Central European rulers, and undoubtedly contributed to the failure of the campaign. It proved most decisive that the Habsburgs and Poland concluded a treaty during this winter in which Leopold would support Sobieski if the Turks attacked Kraków; in return, the Polish Army would come to the relief of Vienna, if attacked.

On March 31, 1683 another declaration, sent by Kara Mustafa on behalf of Mehmet IV, arrived at the Imperial Court in Vienna. On the next day the forward march of Ottoman army elements began from Edirne in Thracia. The troops reached Belgrade by early May, then moved toward the city of Vienna. About 40,000 Crimean Tatar forces arrived 40km east of Vienna on 7 July, twice as many as the Austrian forces in that area. After initial fights, Leopold retreated to Linz with 80,000 inhabitants of Vienna.

The King of Poland prepared a relief expedition to Vienna during the summer of 1683, honouring his obligations to the treaty. He went so far as to leave his own nation virtually undefended when departing from Kraków on 15 August. Sobieski covered this with a stern warning to Imre Thököly, the leader of Hungary, whom he threatened with destruction if he tried to take advantage of the situation — which Thököly did.

Events during the siege

The main Turkish army finally invested Vienna on July 14. On the same day, Kara Mustafa sent the traditional demand for surrender to the city.

Ernst Rüdiger Graf von Starhemberg, leader of the remaining 11,000 troops and 5,000 citizens and volunteers with 370 cannons, refused to capitulate. Only days before, he had received news of the mass slaughter at Perchtoldsdorf, a town south of Vienna whose citizens had handed over the keys of the city after having been given a similar choice.

The Viennese had demolished many of the houses around the city walls and cleared the debris, leaving an empty plain that would expose the Turks to defensive fire if they tried to rush the city. Kara Mustafa Pasha solved that problem by ordering his forces to dig long lines of trenches directly toward the city, to help protect them from the defenders as they advanced steadily toward the city.

Although the Turks had 300 good cannons, the fortifications of Vienna were very strong and up to date, and the Turks had to invent a more effective use for their gunpowder: mining. Tunnels were dug under the massive city walls to blow them up with explosives.

The Ottomans had essentially two options to take the city: the first, an all-out assault, was virtually guaranteed success since they outnumbered the defenders almost 20-1. The second was to lay siege to the city, and this was the option they chose.

This seems against military logic, but assaulting properly defended fortifications has always resulted in very heavy casualties for the attackers. A siege was a reasonable course of action to minimise casualties and capture the city intact, and in fact it nearly succeeded. What the Ottomans did not take into account however was that time was not on their side. Their lack of urgency at this point, combined with the delay in advancing their army after declaring war, eventually allowed a relief force to arrive. Historians have speculated that Kara Mustafa wanted to take the city intact for its riches, and declined an all-out attack in order to prevent the right of plunder which would accompany such an assault.

The Ottoman siege cut virtually every means of food supply into Vienna, and the garrison and civilian volunteers suffered extreme casualties. Fatigue became such a problem that Graf Ernst Rüdiger von Starhemberg ordered any soldier found asleep on watch to be shot. Increasingly desperate, the forces holding Vienna were on their last legs when in August, Imperial forces under Charles V, Duke of Lorraine beat Imre Thököly of Hungary at Bisamberg, 5km northeast of Vienna.

On 6 September, the Poles crossed the Danube 30km north west of Vienna at Tulln, to unite with the Imperial forces and additional troops from Saxony, Bavaria, Baden, Franconia and Swabia who had answered the call for a Holy League that was supported by Pope Innocent XI. Only Louis XIV of France, Habsburg's rival, not only declined to help, but used the opportunity to attack cities in Alsace and other parts of southern Germany, as in the Thirty Years' War decades earlier.

During early September, the experienced 5,000 Turkish sappers repeatedly blew up large portions of the walls, the Burg bastion, the Löbel bastion and the Burg ravelin in between, creating gaps of about 12m in width. The Austrians tried to counter by digging their own tunnels, to intercept the depositing of large amounts of gunpowder in subterranean caverns. The Turks finally managed to occupy the Burg ravelin and the Nieder wall in that area on 8 September. Anticipating a breach in the city walls, the remaining Austrians prepared to fight in Vienna itself.

Staging the battle

The relief army had to act quickly to save the city from the Turks, and to prevent another long siege in which they might take it. Despite the international composition and the short time of only six days, an effective leadership structure was established, indisputably centered on the King of Poland and his heavy cavalry. The motivation was high, as this war was not as usual for the interests of kings, but for Christian faith. And, unlike the Crusades, the battleground was in the heart of Europe.

Kara Mustafa Pasha, on the other hand, was less effective, despite having months of time to organise his forces, ensure their motivation and loyalty, and prepare for the expected relief army attack. He had entrusted defence of the rear to the Khan of Crimea and his cavalry force, which numbered about 30 - 40,000.

There are serious questions as to how much the Tatar forces participated in the final battle at Vienna. Their Khan felt humiliated by repeated snubs by Kara Mustafa. He reportedly refused to attack the Polish relief force as it crossed the mountains, where the Tatar light horse would have that advantage over the Polish heavy cavalry. Nor were they the only component of the Ottoman army to defy Mustafa openly or refuse assignments.

This left vital bridges undefended and allowed passage of the combined Habsburg-Polish army, which arrived to relieve the siege. Critics of this account say that it was Kara Mustafa Pasha, and not the Crimean Khan, who was held responsible for the failure of the siege.

Also, the Ottomans could not rely on their Wallachian and Moldavian allies. These peoples resented the Ottomans, who extracted heavy tributes from their countries. The Ottomans also intervened in the internal politics of these countries, seeking to replace their ruling princes with men who would be mere Turkish puppets. When George Ducas, Prince of Moldavia and Șerban Cantacuzino, Prince of Wallachia learned of the Turkish plans, they tried to warn the Habsburgs. They also tried to avoid participating in the campaign, but the Ottomans insisted that they send troops. There are a great number of popular legends about the Wallachian and Moldavian forces in the siege. Almost invariably, these legends describe them loading their cannons with straw balls, so as to make no impact upon the walls of the besieged city.

The Holy League forces arrived on the "Kahlen Berg" (bare hill) above Vienna, signaling their arrival with bonfires. In the early morning hours of 12 September, before the battle, a Mass was held for the King of Poland and his nobles.

The battle

The Turks lost at least 15,000 men dead and wounded in the fighting + at least 5,000 men captured and all cannons; compared to approximately 4,500 dead and wounded for the Habsburg-Polish forces.

The loot that fell into the hands of the Holy League troops and the Viennese was as huge as their relief, as King Sobieski vividly described in a letter to his wife a few days after the battle:

"Ours are treasures unheard of ... tents, sheep, cattle and no small number of camels ... it is victory as nobody ever knew of, the enemy now completely ruined, everything lost for them. They must run for their sheer lives ... Commander Starhemberg hugged and kissed me and called me his savior."

This emotional expression of gratitude did not distract Starhemberg from ordering the immediate repair of Vienna's severely damaged fortifications, guarding against a possible Turkish counter-strike. However, this proved unnecessary. The victory at Vienna set the stage for Prince Eugene of Savoy's re-conquering of Hungary and (temporarily) some of the Balkan countries within the following years. Austria signed a peace treaty with the Ottoman Empire in 1697.

Long before that, the Turks had disposed of their defeated commander. On 25 December 1683, Kara Mustafa Pasha was executed in Belgrade (in the approved manner, by strangulation with a silk rope pulled by several men on each end) by order of the commander of the Janissaries.

Significance

Although no one realised it at the time, the battle shaped the outcome of the entire war as well. The Ottomans fought on for another 16 years, losing control of Hungary and Transylvania in the process, before finally giving up. The end of the conflict was finalised by the Treaty of Karlowitz.

The battle marked the historic end of the expansion into Europe of the declining Ottoman Empire.

The behaviour of Louis XIV of France also set the stage for centuries to come: German-speaking countries had to fight wars simultaneously in the West and the East. While German troops were fighting for the Holy League, Louis ruthlessly used the occasion, before and after the battle of Vienna, to annex territories in western Europe, such as Luxembourg, Alsace with Strasbourg, etc. Due to the ongoing war against the Turks, Austria could not support the interest of German allies in the West. The biography of Ezechiel du Mas, Comte de Melac illustrates the devastations of large parts of Southern Germany by France.

In honour of Sobieski, the Austrians erected a church atop a hill of Kahlenberg, north of Vienna. The train route from Vienna to Warsaw is also named in Sobieski's honour. The constellation Scutum Sobieskii (Sobieski's Shield) was named to memorialise the battle. Because Sobieski had entrusted his kingdom to the protection of the Blessed Virgin (Our Lady of Czestochowa) before the battle, Pope Innocent XI commemorated his victory by extending the feast of the Holy Name of Mary, which until then had been celebrated solely in Spain and the Kingdom of Naples, to the universal Church; it is celebrated on September 12.

The period of Polish-Austrian friendship did not last long, as Charles V of Lorraine began downplaying the role of John III Sobieski and his troops in the battle. Neither Sobieski nor the Commonwealth profited significantly from saving Austria; on the contrary, the battle of Vienna cleared the path towards the forming of the future Austrian Empire (1804 to 1867) and the destruction of the Commonwealth. In 1772 and 1795 the Habsburg Monarchy took part in the first and third partitions of Poland, which wiped the Polish-Lithuanian Commonwealth off the maps of Europe. In contrast, the Ottoman Empire never recognised the partitions and provided a safe haven for many Poles.

Religious significance

The feast of the Holy Name of Mary is celebrated on September 12 on the liturgical calendar of the Catholic Church in commemoration of the victory in this battle of Christian Europe over the Muslim forces of the Ottoman Empire. Before the battle King John had placed his troops under the protection of the Blessed Virgin Mary. After the battle Pope Innocent XI, wishing to honour Mary, extended the feast to the entire Church.

1.22 European Crusader heroes, champions, legends

The Twelfth Viking

By Baron Bodissey

At the Battle of Poitiers in 732, the Frankish king Charles Martel defeated the Saracens and pushed the forces of Islam back into the Iberian Peninsula. It was not until 1492 that the Moors were finally thrown out of Europe, but in the meantime the Islamic virus was contained in Spain and Portugal, and thus kept out of the heart of Western Europe.

One of Charles Martel's comrades-in-arms at Poitiers was a warrior of the North known as *Ogier le Danois*, later Holger Danske, or Holger the Dane. Although Holger was a historical figure, little is known of him, and most of the written material about him is drawn from legend.

According to the chroniclers, Holger had previously done battle with the Franks over their incursions into Danish territory. But in 732 the menace of the Saracens forced him to set aside his differences with Charles Martel and journey southwards to fight side-by-side with the Frankish forces against the common enemy.

At the end of his days, Holger, like King Arthur, retired to a secluded keep to enter a twilight sleep from which he will awake in the hour of his country's need. The location most frequently cited for Holger's rest is Kronborg castle at Helsingør (or "Elsinore", per Shakespeare).

Hans Christian Andersen has distilled the popular form of the ancient tale into one of his stories:

Translation from Danish:

But the fairest sight of all is the old castle of Kronborg, and under it sits Holger Danske in the deep, dark cellar which no one enters; he is clad in iron and steel and rests his head on his stalwart arm; his long beard hangs down upon the marble table where it has become stuck fast; he sleeps and dreams, but in his dreams he sees everything that comes to pass in Denmark. Every Christmas Eve an angel of God comes to tell him that all he has dreamed is true, and that he may go to back to sleep again, for Denmark is not yet in any danger! but if it should ever come, then old Holger Danske will rouse himself, and the table will break apart as he pulls out his beard! Then he will come forth, and strike a blow that shall be heard throughout all the countries of the world.

Now, if even a trace of the blood of the Men of the North runs in your veins, or if you have lived long enough among them to have acquired some of their spirit, the hair on the back of your neck will rise when you read these words, and you will say, "Yes! This is the hero, the man who will defend us during the troubles that are surely coming."

Holger Danske has put me in mind of my favourite English poet, Ted Hughes.

Hughes was a Yorkshireman, and the blood of the Danes runs thick in the veins of Yorkshire. Especially in the North Riding — the closer one gets to Whitby, the more natural blond hair in evidence, and the more obvious the Danish place names.

Ted Hughes wrote a number of poems that touched on the Men of the North, and I've collected some samples below. Warning to our Danish readers: this is modern poetic

English! It may try your skills a bit, but your efforts will be rewarded. I made my way through the Holger story in Danish, so fair is fair; now it's your turn.

First sample:

The Warriors of the North

Bringing their frozen swords, their salt-bleached eyes,
their salt-bleached hair,
The snow's stupefied anvils in rows,
Bringing their envy,
The slow ships feelered Southward, snails
over the steep sheen of the water-globe.

Thawed at the red and black disgorging of abbeys,
The bountiful, cleft casks,
The fluttering bowels of the women of dead burghers,
And the elaborate, patient gold of the Gaels.

To no end
But this timely expenditure of themselves,
A cash-down, beforehand revenge, with extra,
For the gruelling relapse and prolongueur of their blood

Into the iron arteries of Calvin.

And another one:

Thistles

Against the rubber tongues of cows and
the hoeing hands of men
Thistles spike the summer air
And crackle open under a blue-black pressure.

Every one a revengeful burst
Of resurrection, a grasped fistful
Of splintered weapons and Icelandic frost thrust up
From the underground stain of a decayed Viking.

They are like pale hair and the gutturals of dialects.
Every one manages a plume of blood.
Then they grow grey, like men.
Mown down, it is a feud. Their sons appear,

Stiff with weapons, fighting back over the same ground.

The third section of Ted Hughes' "Gog" evokes Holger the most strongly. This is a deep, dark, and difficult poem, and parts of it are not suitable for family reading. It deals with the lifelong and ultimately futile efforts of Everyman to escape from the softness and weakness of his mother and establish his own manhood without being sucked in and corrupted by the softness and weakness of his wife.

This is the opening stanza:

Gog (Part III)

Out through the dark archway of earth, under the ancient lintel overwritten with roots, Out between the granite jambs, gallops the hooded horseman of iron. Out of the wound-gash in the earth, the horseman mounts, shaking his plumes clear of dark soil. Out of the blood-dark womb, gallops bowed the horseman of iron, The blood-crossed Knight, the Holy Warrior, hooded with iron, the seraph of the bleak edge, Gallops along the world's ridge in moonlight.

We all know about the Twelfth Imam, the super-bad Muslim guy at the bottom of the well in Persia. When Armageddon arrives, when Gog grapples with Magog and battle rages across the plain at Megiddo, the Twelfth Imam will awaken and lead the armies of Islam to their final victory, establishing the kingdom of Allah here on Earth.

Forget the Twelfth Imam.

We've got our own dude sitting on the bench. Call him the Twelfth Viking. He's suited up, ready to join the contest as soon as he's required.

The Men of the North form the core of the Counterjihad. They are already in action, clearing the back alleys of Anbar Province, riding point in Kabul, and forming up in self-organised groups to defend our borders.

As I've said before, it's not race that's the issue here, it's culture. The culture of the Danes, the Norsemen, the English, and the Celts. The culture of the hardy and self-reliant Men of the North, always ready to defend their ancient liberties with a ferocity that their enemies can scarcely imagine. The culture of productive enterprise and armed self-determination that has spread to all corners of the globe.

Holger Danske is the man who best represents us. He'll be there in the hour of our greatest need.

The Twelfth Viking — I can see his eyelids fluttering even now...

Source:

<http://gatesofvienna.blogspot.com/2006/12/twelfth-viking.html>

European Odinst and Crusader heroes resisting and fighting Islamisation: France, Belgium, Netherlands, Luxembourg

Charles Martel: Hero and Protector of Europe, more specifically France and Benelux: http://en.wikipedia.org/wiki/Charles_Martel

France

Pope Urban II: French born Pope and Crusader hero on behalf of Europe and Christendom. Pope Urban II is a relatively unknown hero in France but he was one of the greatest Crusader heroes of all times. He was born Otho de Lagery (ca.1035 – 29 July 1099) in Lagery, County of Champagne, France. http://en.wikipedia.org/wiki/Pope_Urban_II

Poland, Estonia, Latvia, Lithuania

John III Sobieski: Crusader and Hero of Poland and the Baltics
http://en.wikipedia.org/wiki/John_III_Sobieski

Britain - England

Richard I of England (Richard the Lion Hearted/Lionheart): Crusader and Hero of England
http://en.wikipedia.org/wiki/Richard_I_of_England

Serbia

Stefan Lazar Hrebeljanović: Crusader and Hero of the Serbs
http://en.wikipedia.org/wiki/Lazar_of_Serbia

Serbia, Bulgaria, Macedonia

Marko Kraljevic: Crusader and Hero of the Serbs, Bulgarians and Macedonians:
<http://markokraljevic.uzice.net/index.htm>

Spain, Portugal

St. James the Moorslayer: Crusader and Hero of the Spaniards and Portuguese:
http://en.wikipedia.org/wiki/James_the_Greater

Spain

Rodrigo Díaz de Vivar (El Cid Campeador): Crusader and Hero of the Spaniards:
http://en.wikipedia.org/wiki/El_Cid_Campeador

Denmark

Holger Danske (Ogier the Dane): Mythical Odinit Hero of the Scandinavians
<http://gatesofvienna.blogspot.com/2006/12/twelfth-viking.html>
http://en.wikipedia.org/wiki/Ogier_the_Dane

Norway, Sweden, Iceland

Sigurd the Crusader (Sigurd Jorsalfare/Sigurd I Magnusson): Sigurd I Magnusson is not a widely celebrated figure in Scandinavia and therefore a rather unknown hero. He was however the greatest and most important Crusader hero in the region and participated in the liberation of a few Christian cities in Spain and the Middle East from Muslim occupation.
http://en.wikipedia.org/wiki/Sigurd_Jorsalfare
<http://omacl.org/Heimskringla/crusaders.html>

Romania

Vlad Tepes/Vlad III the Impaler: Crusader and Hero of the Romanians:

Vlad the Impaler was a genius of psychological warfare. His legacy deserve to be studied in modern-days schools of PR, political sciences, military, social psychology etc . Like any other ruler, he had two enemies: internal disorder or treason and external Islamic agressors threatening his country. He managed to defeat his external enemies, using same level of cruelty like any other ruler of his times, but he was a real master of STAGING the cruelty to obtain maximum effect. He was the greatest master of imagology, hundreds of years before this science to be discovered and theorised.
http://en.wikipedia.org/wiki/Vlad_III_Dracula

Italy

Lottario dei Conti di Segni (Pope Innocent III): Italian Pope and Crusader hero for Italy, Europe and Christendom. Pope Innocent III is not a widely celebrated figure in Italy and therefore a rather unknown hero. He was however one of the greatest and most important Crusader heroes of all times. He was born Lottario dei Conti di Segni in 1160 or 1161 - 16 July 1216 in Gavignano near Anagni in Italy.
http://en.wikipedia.org/wiki/Pope_Innocent_III

Christian Albania

George Castriota (Skanderbeg) - Crusader and Hero of the Christian Albanians:
<http://www.heraldica.org/topics/national/albania.htm> Often referred to under his Islamic name Skanderbeg by PC sources.

Overview needed of national crusader heroes from the rest of the European nations.

1.23 Western vs. Islamic Science and Religion

By Fjordman

I've read quite a few books on the history of science. One of them is *The Beginnings of Western Science* by David C. Lindberg, who has also written the book *Theories of vision – From al-Kindi to Kepler*, which I will quote more extensively from later this fall when publishing a multipart essay on the history of optics. Lindberg is a good scholar and well worth reading, but has a few minor flaws.

Chapter eight in the second edition of his book about the history of science is titled "Islamic science." Mr. Lindberg is not alone in employing this term, but I am not personally in favor of it. Nobody talks about "Buddhist science" or "Christian science," so I so no reason why we should use the term "Islamic science," either. It is misleading, since whatever existed of science in countries under Islamic rule relied heavily on contributions of non-Muslims and pre-Islamic knowledge. Some use the term "Arab science" instead, but this is hardly much better, since among those who were at least nominally Muslims, a disproportionate amount were Persians, not Arabs. Which term should we use, then? "Middle Eastern science" could be one possibility, as it puts emphasis on the region but not on the religion.

I don't think David C. Lindberg provides a full explanation of why the scientific tradition in the Islamic world stagnated, despite some promising beginnings. Those who want a better understanding of this can check out *The Rise of Early Modern Science: Islam, China and the West* by Toby E. Huff. This can be supplemented with the work of Edward Grant, for instance chapter eight "Relations between science and religion" in *Science and Religion, 400 B.C. to A.D. 1550: From Aristotle to Copernicus*. I will quote this book by Grant, and to a lesser extent Huff's book, extensively in this essay, and will include page references to each quote so that others can use the material if they want to.

By the end of eleventh century, Western Europeans were aware that both Muslims and Byzantines had access to philosophical and scientific texts that they did not have. After the capture of Toledo, Spain and Sicily from the Muslims in 1085 and 1091, respectively, a number of scholars translated Greek and Arabic texts, but tended to prefer the Greek ones because Greek was a related Indo-European language, which Arabic was not. A large number of the works which existed in Arabic were originally translations from Greek themselves, and it would obviously make more sense to copy directly from the Greek in Constantinople since a more precise rendering could be made, with fewer misinterpretations than from Arabic. The result was a major movement of translations from the twelfth century until the second half of the thirteenth century.

Many works in optics, astronomy, medicine and mathematics were translated, but it was Aristotle's work on natural philosophy that had the greatest impact. The two greatest translators from Greek to Latin were James of Venice (d. after AD 1147), the first major translator of Aristotle's works from Greek to Latin, and the Flemish scholar William of Moerbeke (c. AD 1215-c. 1286), who was the last. According to Edward Grant, page 166:

"William of Moerbeke translated at least forty-eight treatises, including seven on mathematics and mechanics by Archimedes, translated for the first time into Latin (Grant 1974, 39-41; Minio-Paluello 1974, 436-438). His Aristotelian translations are truly impressive. He was the first to translate Aristotle's biological works from Greek into Latin. In translating the rest of Aristotle's natural philosophy, Moerbeke found it useful to revise, expand, and even complete some earlier translations, including revisions of at least three treatises previously translated by James of Venice. In addition, Moerbeke translated Greek commentaries on Aristotle's works from late antiquity. Thus, he translated John Philoponus' *Commentary on the Soul*, and Simplicius' *Commentary on the Heavens*. One of the earliest beneficiaries of Moerbeke's translations was Thomas Aquinas."

Grant continues on page 167:

"With Moerbeke's monumental contributions, all of Aristotle's natural philosophy was available by the last quarter of the thirteenth century in translations from Greek and Arabic. Although many scientific works were translated from Arabic to Latin in the first half of the twelfth century by such translators as Plato of Tivoli, Adelard of Bath, Robert of Chester, Hermann of Carinthia, Dominicus Gundissalinus, Peter Alfonso, John of Seville, and others, the earliest translations of Aristotle's works on natural philosophy appear to have occurred in Spain in the latter half of the twelfth century. By far the most prominent translator of Aristotle's works on natural philosophy was Gerard of Cremona (c. A.D. 1114-1187), the most prolific translator from Arabic to Latin of works on science, medicine, and natural philosophy."

Gerard of Cremona and those associated with him translated dozens of works from Arabic to Latin, among them probably Alhazen's book on *Optics*, which could not have been translated from Greek since it did not exist in Greek. It is thus true that there were translations from Arabic and that some of these did have some impact in Europe. It

would be historically inaccurate to claim otherwise. But although this translation movement was significant, we should focus at least as much on how these different civilisations used this information.

In this case, we are dealing with an example where three different civilisations, the Islamic world, the Christian East (the Byzantine Empire) and the Christian West had access to much of the same material, yet where the end results were quite different. I have read a lot about the history of mechanical clocks and eyeglasses, both of which were invented in Europe in the second half of the thirteenth century AD. These inventions had no counterparts in any other civilisation and were important for later scientific and technological advances, which often benefited from more accurate timekeeping. The creation of microscopes and telescopes was to some degree an extension of the invention of eyeglasses and the use of glass lenses.

I cannot point out any significant piece of information that Europeans had access to at this time which Muslims didn't also have access to. If anything, Middle Easterners had more knowledge at their disposal since they had regular contacts with the major Asian civilisations and could supplement Greek natural philosophy with Indian and Chinese inventions. Europeans were prevented from having extensive direct contacts with these civilisations because they were geographically isolated from them by a large bloc of hostile Muslims. The only possible conclusion why Europeans invented mechanical clocks is that they were more efficient and creative than Muslims in using the body of information they had at their disposal. Muslims could have done the same, but they didn't. They failed, pure and simple.

The case of the Byzantine Empire is even more puzzling, as Byzantine scholars appear not to have taken advantage of the readily available treasure house of science and natural philosophy in their native Greek language. The Byzantine Empire was essentially a theocracy as the Emperor was regarded as the head of both church and state. According to Edward Grant in *Science and Religion*, page 228:

"[U]ntil the end of the sixth century, important contributions to natural philosophy were made in the Byzantine Empire by a number of commentators on the works of Aristotle, such as Alexander of Aphrodisias (fl. 2nd-3rd century A.D.), Themistius (c. A.D. 317-c. 388), Simplicius, and most important of all, the Christian neo-Platonist John Philoponus, whose ideas were destined to have a large impact on both Islamic and Latin natural philosophy. But the level of achievement was seriously affected in A.D. 529, when, on religious grounds, the emperor Justinian ordered the closing of Plato's Academy in Athens, forcing a number of philosophers to depart the Byzantine Empire and move to the East. After that natural philosophy and science played a minor role in Byzantine intellectual life. This is surprising when we realise that, as compared to their contemporary counterparts in Islam and the Latin West, Byzantine scholars were truly fortunate, because their native language was Greek. They could read, study, and interpret, without problems of translation, all the works available in the Greek language that had accumulated in the Byzantine Empire, especially in Constantinople, since the fifth and fourth centuries B.C. Indeed, most of our Greek manuscripts come from Byzantium."

Alhazen, when he made his work on optics, relied heavily on Greek mathematics, philosophy and medicine, most of which had initially been translated to Arabic from Byzantine manuscripts. Yet there was no Alhazen in Byzantium itself. Grant again, page 229:

"It is a paradox of history that the civilisations of Islam and Western Europe contributed significantly to the store of human knowledge, using translated works and often lacking important earlier texts, while the Byzantines, who had command of the Greek language and

easy access to the manuscript sources of their great Greek predecessors, failed to capitalise on their good fortune."

There were some brief Byzantine "renaissances." The Empire wasn't static and did an invaluable job in preserving older knowledge, but few works of lasting significance were produced there during the Middle Ages. I still believe that my conclusion in the online essay *The Legacy of Byzantium*[1], inspired by Timothy Gregory's fascinating book *A History of Byzantium*, was largely correct:

It is true that the Byzantine Empire has received some bad press. However, scholars James E. McClellan III and Harold Dorn sum up the established wisdom in their book *Science and Technology in World History*, second edition, when they state that 'Byzantium never became a center of significant original science.' It is surely one of history's great ironies that the Greco-Roman knowledge that was preserved by the Byzantines had a greater impact in the West than it did in the Byzantine Empire itself. Although being for centuries at the front lines of Islamic Jihad certainly didn't help, this doesn't suffice to explain fully the failure of Byzantium to develop modern science. When studying the Byzantine Empire, one cannot help but notice that the separation of church and state which took place in the West after the papal revolution never happened there. Byzantium remained a somewhat autocratic state, thus in some ways resembling China – and perhaps later on Russia – more than Western Europe. The development of parliaments, autonomous cities and numerous universities that took place in the Christian West did not happen in the Christian East.

However, also in the Islamic world, Greek logic and natural philosophy was never fully accepted, and what initial acceptance there had been was largely nullified by the extremely influential Muslim theologian al-Ghazali (1058-1111). Al-Ghazali regarded theology and natural philosophy as dangerous to the Islamic faith and was skeptical of the concept of mathematical proof. As Edward Grant says, page 238:

"[Al-Ghazali] included the mathematical sciences within the class of philosophical sciences (i.e., mathematics, logic, natural science, theology or metaphysics, politics, and ethics) and concluded that a student who studied these sciences would be 'infected with the evil and corruption of the philosophers. Few there are who devote themselves to this study without being stripped of religion and having the bridle of godly fear removed from their heads' (Watt 1953, 34). In his great philosophical work, *The Incoherence of the Philosophers*, al-Ghazali attacks ancient philosophy, especially the views of Aristotle. He does so by describing and criticising the ideas of al-Farabi and Avicenna, two of the most important Islamic philosophical commentators on Aristotle. After criticising their opinions on twenty philosophical problems, including the eternity of the world, that God knows only universals and not particulars, and that bodies will not be resurrected after death, al-Ghazali declares: 'All these three theories are in violent opposition to Islam. To believe in them is to accuse the prophets of falsehood, and to consider their teachings as a hypocritical misrepresentation designed to appeal to the masses. And this is blatant blasphemy to which no Muslim sect would subscribe' (al-Ghazali 1963, 249)."

As Ibn Warraq sums up in his modern classic *Why I Am Not a Muslim*, "orthodox Islam emerged victorious from the encounter with Greek philosophy. Islam rejected the idea that one could attain truth with unaided human reason and settled for the unreflective comforts of the putatively superior truth of divine revelation. Wherever one decides to place the date of this victory of orthodox Islam (perhaps in the ninth century with the conversion of al-Ashari, or in the eleventh century with the works of al-Ghazali), it has been, I believe, an unmitigated disaster for all Muslims, indeed all mankind."

Al-Ghazali, whose influence cannot be overstated, was a highly orthodox Muslim on matters regarding the use of violence against non-Muslims. Here is al-Ghazali on the

importance of Jihad against the unbelievers, as quoted by Robert Spencer in his excellent book *Religion of Peace?: Why Christianity Is and Islam Isn't*:

"[O]ne must go on jihad [i.e., warlike razzias or raids] at least once a year...One may use a catapult against them [non-Muslims] when they are in a fortress, even if among them are women and children. One may set fire to them and/or drown them...If a person of the *ahl al-kitab* [People of the Book] is enslaved, his marriage is [automatically] revoked...One may cut down their trees...One must destroy their useless books. Jihadists may take as booty whatever they decide...They may steal as much food as they need."

Another Muslim thinker, the thirteenth century North African Ibn Khaldun, had a traditional view of Jihad and shared the deep suspicion of philosophy. Edward Grant, page 242:

"Even so enlightened an author as Ibn Khaldun (A.D. 1332-1406) was hostile to philosophy and philosophers. On the basis of his great Introduction to History (*Muqaddimah*), Ibn Khaldun is regarded as the first historian to write a world history. According to Franz Rosenthal: 'The *Muqaddimah* was indeed the first large-scale attempt to analyze the group relationships that govern human political and social organisation on the basis of environmental and psychological factors' (Rosenthal 1973, 321). Despite his brilliance as an historian, Ibn Khaldun included a chapter in the *Muqaddimah* titled 'A refutation of philosophy. The corruption of the students of philosophy' (Ibn Khaldun 1958, 3:246-258). In this chapter, Ibn Khaldun condemns the opinions of philosophers as wrong and proclaims to his fellow Muslims that 'the problems of physics are of no importance for us in our religious affairs or our livelihoods. Therefore, we must leave them alone' (Ibn Khaldun 1958, 3:251-252). He regarded the study of logic as dangerous to the faithful unless they were deeply immersed in the Qur'an and the Muslim religious sciences to fortify themselves against its methods."

In my online essay *The West, Japan, and Cultural Secularity*[2], I discuss the ideas of French thinker Remi Brague as outlined in his book *Eccentric Culture: A Theory of Western Civilisation*. Brague claims that Muslims largely lacked the European instinct for self-criticism and appreciation of "the other." They did translate works from Greek and other languages like Sanskrit and Persian, but they usually didn't preserve the originals. This made "renaissances," the act of going back to the sources to reinterpret them, impossible in the Islamic world. He quotes Ibn Khaldun as saying the following in the *Muqaddimah*:

"(The Muslims) desired to learn the sciences of the (foreign) nations. They made them their own through translations. They pressed them into the mold of their own views. They peeled off these strange tongues [and made them pass] into their [own] idiom, and surpassed the achievements of (the non-Arabs) in them. The manuscripts in the non-Arabic languages were forgotten, abandoned, and scattered. All the sciences came to exist in Arabic. The systematic works on them were written in (Arabic) writing. Thus, students of the sciences needed a knowledge of the meaning of (Arabic) words and (Arabic) writing. They could dispense with all other languages, because they had been wiped out and there was no longer any interest in them."

Logic continued to be used as an ancillary subject in scholastic theology (*kalam*) and in many Islamic religious schools, but there was enough hostility toward philosophy to prompt philosophers to keep a low profile. Those who taught it often did so privately, not within the established institutions. Here is Edward Grant in *Science and Religion*, page 239:

"Following the translations in the early centuries of Islam, Greek philosophy, primarily Aristotle's, received its strongest support from a number of individuals scattered about the Islamic world. As we have already mentioned, al-Kindi, al-Razi, Ibn Sina, and Ibn Rushd were among the greatest Islamic philosophers. All were persecuted to some extent. Al-Kindi's case reveals important aspects of intellectual life in Islam. The first of the Islamic commentators on Aristotle, al-Kindi was at first favorably received by two caliphs (al-Mamun and al-Mutassim), but his luck ran out with al-Mutawwakil, the Sunni caliph mentioned earlier. According to Pervez Hoodbhoy, 'It was not hard for the ulema [religious scholars] to convince the ruler that the philosopher had very dangerous beliefs. Mutawwakil soon ordered the confiscation of the scholar's personal library....But that was not enough. The sixty-year-old Muslim philosopher also received fifty lashes before a large crowd which had assembled. Observers who recorded the event say the crowd roared approval with each stroke' (Hoodbhoy 1991, 111). The other four scholars were also subjected to some degree of persecution, and a number of them had to flee for their safety."

This situation was radically different in the Latin West. There was sporadic opposition to the use of reason and one attempt to ban the works of Aristotle at the University of Paris in the thirteenth century, but this was of brief duration and eventually failed. There were no later attempts to ban the use of logic and natural philosophy per se, although there could of course be criticism against specific interpretations. "After the 1240s and for the rest of the Middle Ages, attacks on reason would have been regarded as bizarre and unacceptable."

In contrast, Islam is in principle a theocracy in which religion and state form a single entity. Islamic schools, or *madrasas*, generally taught "Islamic science," that is theology, Arabic grammar, the Koran and the hadith etc. Greek and other non-Muslim philosophy was called "foreign sciences" and was never integrated into the core curriculum. Grant again, page 243:

"[The madrasas] had as their primary mission the teaching of the Islamic religion, and paid little attention to the foreign sciences, which, as we saw, were comprised of the science and natural philosophy derived ultimately from the Greeks. The analytical subjects derived from the Greeks certainly did not have equal status with religious and theological subjects. Indeed, the foreign sciences played a rather marginal role in the madrasas, which formed the core of Islamic higher education. Only those subjects that illuminated the Qur'an or the religious law were taught. One such subject was logic, which was found useful not only in semantics but was also regarded as helpful in avoiding simple errors of inference. The primary function of the madrasas, however, was 'to preserve learning and defend orthodoxy' (Mottahedeh 1985, 91). In Islam, most theologians did not regard natural philosophy as a subject helpful to a better understanding of religion. On the contrary, it was usually viewed as a subject capable of subverting the Islamic religion and, therefore, as potentially dangerous to the faith. Natural philosophy always remained a peripheral discipline in the lands of Islam and was never institutionalised within the educational system, as it was in Latin Christendom."

Greek natural philosophy, however, became fully integrated into the university curriculum in Europe. As Grant explains, page 244-245:

"It is important to point out that not only did university-trained theologians fully accept and embrace the discipline of natural philosophy, but many, if not most, of them were eager and active contributors to the literature of natural philosophy. It is for that reason that it is wholly appropriate to call them 'theologian-natural philosophers.' They were equally at home in both disciplines and were keen to import as much natural philosophy as they could into the resolution of theological problems, while avoiding any temptations to theologise natural philosophy. This explains why some medieval theologians can be equated with the best of the secular natural philosophers, such as John Buridan and Albert of Saxony. Some

theologians, such as Albertus Magnus and Nicole Oresme, were clearly superior to them. By their actions, theologians in the West were full participants in the development and dissemination of natural philosophy. They made it possible for the institutionalisation of natural philosophy in the universities of the late Middle Ages, and therefore its extensive dissemination. Nothing like this occurred in the Byzantine Empire or in Islam."

One of the most important advantages Catholic Europe enjoyed during this period was the separation between church and state. Edward Grant, page 246-247:

"[Byzantines and Muslims] paid a heavy price for failing to separate church and state. In both societies, Aristotle's natural philosophy was regarded as potentially dangerous because it encompassed ideas and concepts that were hostile to both religions, and because it was often felt that scholars who focused too much on natural philosophy would either neglect religion or come to regard it as inferior to natural philosophy. Islam's failure to separate church and state nullified an institutional advantage it had over Western Christendom. Where the latter was organised as a centralised, hierarchical religion with a single individual – the Pope – holding ultimate power, Islam was a decentralised religion with no hierarchical structure. What power there was derived from local religious leaders who drew on the support of their fellow Muslims. Under these circumstances, we might expect that freedom of inquiry and the cultivation of a vibrant, sustained natural philosophy would have been more likely to occur within the decentralised Muslim religion than within the highly centralised Catholic Church of Western Europe. As we now know, the reverse occurred: the West developed a lively natural philosophy, whereas in Islam natural philosophy became a peripheral and suspect discipline, whose study could even prove dangerous."

The European university system had no real equivalent in any other major civilisation in the world at the time. As Toby Huff says in his book, page 234:

"We should also not underestimate the magnitude of the step taken when it was decided (in part, following ancient tradition) to make the study of philosophy and all aspects of the natural world an official and public enterprise. If this seems a mundane achievement, it is due to our Eurocentrism which forgets that the study of the natural sciences and philosophy was shunned in the Islamic colleges of the Middle East and that all such inquiries were undertaken in carefully guarded private settings. Likewise, in China, there were no autonomous institutions of learning independent of the official bureaucracy; the ones that existed were completely at the mercy of the centralised state. Nor were philosophers given the liberty to define for themselves the realms of learning as occurred in the West."

Edward Grant has been important in bringing to light this role played by the university system in preparing the ground for the later Scientific Revolution. As he concludes on page 248:

"Without the separation of church and state, and the developments that proceeded as a consequence, the West would not have produced a deeply rooted natural philosophy that was disseminated through Europe by virtue of an extensive network of universities, which laid the foundation for the great scientific advances made in the sixteenth and seventeenth centuries, advances that have continued to the present day."

For further developments in the Western (but not so much in other) scientific traditions from the sixteenth century onward, *The Scientists: A History of Science Told Through the Lives of Its Greatest Inventors* by John Gribbin is fascinating and easy to read.

Toby E. Huff in his excellent *The Rise of Early Modern Science: Islam, China and the West*, agrees with Grant's assessment of the importance of the university system. Here is Huff, page 344:

"For a dispassionate examination of the educational backgrounds of major scientists from the fifteenth to the seventeenth century shows that the vast majority of them were in fact university educated. As John Gascoigne has shown, 'Something like 87% of the European scientists born between 1450 and 1650 [who were] thought worthy of inclusion in the *Dictionary of Scientific Biography* were university educated.' More importantly, 'A large proportion of this group was not only university educated but held career posts at a university.' For the period 1450-1650 this was 45 percent, and for 1450-1550, it was 51 percent. If one speaks of particular scientists, then one must immediately acknowledge that Copernicus, Galileo, Tycho Brahe, Kepler, and Newton were all extraordinary products of the apparently procrustean and allegedly Scholastic universities of Europe. In short, sociological and historical accounts of the role of the university as an institutional locus for science and as an incubator of scientific thought and argument have been vastly understated."

Nothing like this existed in the Islamic world. Universities could only be established in Spain and Portugal after these countries had been re-conquered by the Christians. Huff, page 212:

"If Spain had persisted as an Islamic land into the later centuries - say, until the time of Napoleon - it would have retained all the ideological, legal, and institutional defects of Islamic civilisation. A Spain dominated by Islamic law would have been unable to found new universities based on the European model of legally autonomous corporate governance, as corporations do not exist in Islamic law. Furthermore, the Islamic model of education rested on the absolute primacy of fiqh, of legal studies, and the standard of preserving the great traditions of the past. This was symbolically reflected in the ijaza, the personal authorisation to transmit knowledge from the past given by a learned man, a tradition quite different from the West's group-administered certification (through examination) of demonstrated learning. In the actual event, the founding of Spanish universities in the thirteenth century, first in Palencia (1208-9), Valladolid, Salamanca (1227-8), and so on, occurred in long-established Christian areas, and the universities were modeled after the constitutions of Paris and Bologna."

There is also an important theological aspect here in that Muslims generally viewed God as unpredictable, whereas both Christians and Jews could more easily view God as predictable, having created the world according to logical natural laws which could be uncovered and understood by humans. Toby E. Huff, page 116:

"In short, the European medievals had fashioned an image of man that was so imbued with reason and rationality that philosophical and theological speculation became breathtaking spheres of inquiry whose outcomes were far from predictable, or orthodox - to the consternation of all. Furthermore, this theological and philosophical speculation was taking place within the citadels of Western learning, that is, in the universities. Christian theology had indeed clothed man with a new set of methods and motivations, but it had also attributed to him a new set of rational capacities that knew no bounds."

Sadly, at the beginning of the 21st century, this university system arguably no longer works as well as it once did. As Ibn Warraq puts it in his great book *Defending the West*:

"The West, in giving in to political correctness and in being corrupted by Saudi and other Arab money, is ceasing to honour the original intent of the university. In recent years, Saudi Arabia and other Islamic countries (e.g., Brunei) have established chairs of Islamic

studies in prestigious Western universities, which are then encouraged to present a favorable image of Islam. Scientific research leading to objective truth no longer seems to be the goal. Critical examination of the sources or the Koran is discouraged. Scholars such as Daniel Easterman have even lost their posts for not teaching about Islam in the way approved by Saudi Arabia. In December 2005, Georgetown and Harvard universities each accepted \$ 20 million from Saudi prince Alwaleed bin Talal for programs in Islamic studies. The Carter Center, founded by former president Jimmy Carter, is funded in part by bin Talal. Such money can only corrupt the original intent of all higher institutions of education, that is, the search for truth. Now, we shall have only "Islamic truth" that is acceptable to the royal Saudi family, a family that has financed terrorism, anti-Westernism, and anti-Semitism for more than thirty years."

This is financial corruption and intimidation, but even before this, Western universities seemed to be increasingly preoccupied with deconstructing their own civilisation and praising the most barbaric cultures and regimes on earth. This is by no means universally true, of course. There is still much great work done at Western universities, as Mr. Grant himself is living proof of. But it is difficult to deny the fact that there has been a decline in free inquiry and good scholarship. Exactly how this happened, how the Western university system went from being a great comparative advantage to being something resembling a problem is an interesting question, but one that will have to be dealt with in a separate essay. Meanwhile, Edward Grant has done an excellent job at reminding us of how unique it once was.

Source:

<http://www.jihadwatch.org/dhimmiwatch/archives/022433.php>

1. <http://www.jihadwatch.org/dhimmiwatch/archives/019529.php>

2. <http://gatesofvienna.blogspot.com/2008/02/west-japan-and-cultural-secondarity.html>

1.24 Historically - Bosnia is Serbian Land

It is well known fact that South Slavs settled in the Balkans in 7th century. The two largest tribes were Serbs and Croats. There was not much distinction between the two then and to this day the "two people" speak one and the same language. Till recently the language was known in world literature as Serbo-Croatian. The only outwardly difference between Serbs and Croats today is that the former are Orthodox while the later are Catholic Christians.

Geographical regions of Bosnia and Herzegovina were settled by the Serbs. There is no dispute about this in Western pre-1991 (pre-Bosnia-war) literature.

From: "Encyclopedia Britannica" Edition 1971, Volume 3, page 983, Entry: Bosnia, history

Serbian settlement in Bosnia-Herzegovina began in the seventh century A.D.

From: "Encyclopedia Britannica" Edition 1943, Vol 20, Page 341, Entry: Serbia, History

According to the emperor Constantine Porphyrogenitus, the emperor Heraclius (610-640) invited the Serbs to settle in the devastated north-western provinces of the Byzantine empire and to defend them against the incursions of the Avars.

Toward the end of 9th century the political centre of the Serbs was transferred to Zeta (or: Zenta: see Montenegro) and the Primorye (sea-coast)... [Serbian] Prince Voislav of Travuniya (today: Trebinje [Herzegovina]) ...united under his own rule Travuniya, Zahumlye (the modern Herzegovina) and Zeta. His son Michael Voislavich annexed the important Zhupania of Rashka (Rascia or Rascia) [Central Serbia], and in 1077 was addressed as king (rex) in a letter from Pope Gregory VII. His son Bodin enlarged the first Serb kingdom by annexing territories...

From: "Encyclopedia Britannica" Edition 1971, Vol 3, p 983, Entry: Bosnia-Herzegovina

[Serbian] King Bodin (1081-1101) united Bosnia with the other two Serbian principalities – Rashka [Central Serbia] and Zeta [Montenegro]...

From: "Encyclopedia Britannica" Edition 1990, Volume 29, Macropedia, page 1098, Entry: Yugoslavia, Bosnia and Herzegovina

The emperor Constantine VII Porphyrogenitus (reigned 913-957) referred to Bosnia as part of "the land of the Serbs".

From: "Yugoslavia, a Country Study"

Serbian groups settled the region of present-day Bosnia and Hercegovina during the seventh century... Bosnia or Bosna (from Bosna river) appears to have originated as a small principality in the mountainous region of the upper reaches of the Bosna and Vrbas rivers. The name Herzegovina originated in the fifteenth century when a powerful Bosnian

noble, Stephen Vuksic, gained control of lands in the southern part of Bosnia and took the title of Herzog, the German equivalent of duke, from which came the name of the region.

Turkish conquest

That is it: Bosnia was Serbian only. There were no "Muslims" -- not even a single family - for at least FIVE HUNDRED years! The Islamic onslaught on Europe started centuries later. For the Turks who wanted to conquer Europe for Allah, Balkans was the shortest route. Their immense armies were first stopped by heroic Serb resistance in a gigantic battle at Kosovo field in 1389. Some 70 years later the Turks recovered and took now defenceless Bosnia.

Centuries of peace the Serbs enjoyed in Bosnia were to be substituted with centuries long struggle to survive brutal tyranny by foreign oppressor.

In order to govern this, 100% Christian land, the Turks needed to find (in today's terms) local quislings. In those ancient times, when religion was one's alpha and omega of existence, the conquering Turks could not hope to convert Christians to Islam over night. Despite that, it turns out, Bosnia was somewhat fertile ground. The Turkish conquest left substantial portion of the population converted to Islam - more so than in other, vast Christian lands, governed by the Ottoman Empire.

There are few theories how it happened. The most prevalent theory present in Western literature claims that the Turks found an easy prey in Christian cult of Bogumilism. This is one of many theories, though. The opposing ones claim that Bogumilism, while quite present in Bosnia for some time, was extinct centuries before Turkish arrival.

As it was question of honour, not to abandon ones religion for the religion of the enemy, the process of conversion was a slow one. It took centuries. No-one disputes that. Also the process took many different forms, many of which were forms of forceful conversion. For sure those who converted to the religion of the oppressor immediately reaped benefits. Over night they would cease to be oppressed. They would not be hungry any more. The record of individual conversions for the last few centuries of the Ottoman rule was kept in the main archive in Sarajevo, which was in Muslim hands in the recent civil war. It burned to the ground with all the documents. The incident, as everything else, was blamed on the besieging Serbs even though it was in Muslim Serb, and certainly not in Christian Serb, interest for that to happen...

The slow process of betraying Christianity

From: "Yugoslavia, a Country Study"

Situated on the dividing line between the areas of Roman Catholic and Eastern Orthodox religious influence, Bosnia and Herzegovina suffered from constant internal turmoil from the tenth through the fifteenth centuries. This situation was complicated by the introduction from Bulgaria of an ascetic heretical Christian cult -- Bogumilism -- during the twelfth century... Many Bosnian nobles and a large portion of the peasantry persisted in the heresy despite repeated attempts by both the Catholic and Eastern Orthodox churches to crush the cult. The chaos caused by this religious struggle laid the country open to the Ottoman Turks after they again defeated the [remaining, unconquered] Serbs in 1459. By 1463 the Turks controlled Bosnia and twenty years later gained control of Herzegovina; many Bogumil nobles and peasants accepted the Islamic religion of their conquerors.

From: "A History of the Balkans" by Professor Ferdinand Schevill, Barnes & Noble, New York, 1995, pp 202, 203

To the west of Serbia lay Bosnia,... a mountain region, like Serbia and racially homogeneous with it... [W]hole sections of the Bosnians did not scruple to see in Islam a deliverer. Numerous castles treacherously opened their gates to the enemy, and when the wretched Bosnian king, despairing of his cause, surrendered, he was, in spite of a solemn promise made in writing, cruelly decapitated under the eyes of the sultan (1462)... Mohamed held the convenient doctrine that a pledge made to a dog of an infidel possessed no binding character.

Thus Bosnia, sharp on the heel of Serbia, perished, and throughout Balkania the land of the Serbs with the single exception of the Zeta [future Montenegro], passed under the heel of the oppressor.

From: "A Short History of the Yugoslav Peoples" by Professor Fred Singleton, Cambridge University Press, Edition 1985, page 20

The absorption of the heretic Bosnian (Bogumil) Church into the Islamic world did not come about as a result of a dramatic act of mass conversion, but, if Ottoman statistics is to be believed, it was a relatively rapid process. According to a census of 1489... 18.4 per cent of the population of Bosnia practised the Islamic faith... [T]he greatest increases were recorded... especially in the towns... Slav-speaking Muslim aristocracy came into existence. The 1.5 million Muslims in modern Bosnia, who are listed in the Yugoslav census [of 1981]... are descendents of those early converts.

From: "Yugoslavia, a Country Study"

The Islamised nobles were allowed to retain their lands and their feudal privileges, and the peasants who accepted Islam were granted land free from feudal obligations. The Christian nobles were killed and Christian peasants subjected to oppressive rule.

For more than four centuries, from the time of conquest in 1463 to 1878 when Western powers ordered them to relinquish Bosnia and Herzegovina and hand it over to the Austro-Hungarian empire control, the Turks ruled Bosnia. Their devoted quislings, the Serbs who betrayed Christianity in order to serve the Asiatic conqueror, identified with the foreign oppressor so much that Encyclopedia Britannica of 1910, finds Bosnian Muslims, now after more than 20 years under Christian rule still wanting everyone to call them - Turks! These "Turks," though can speak only one language - the same language that Serbs and Croats speak: Serbo-Croatian.

Let us take a closer look into the origin of the terms "Bosnian," "Bosniak," "Bosnitch." Do Bosnian Muslims have an exclusive right, as exercised by the Western press in these days, to call themselves "Bosnians?"

Source:

<http://srpska-mreza.com/History/pre-wwOne/Bosnia-conquered.html>

1.25 Who are the "Bosniaks"?

Encyclopedia Britannica, eleventh edition (year: 1910 (!)), Volume IV, page 281, entry "Bosnia and Herzegovina", subentry (#10), Population and National Characteristics (quote:)

In 1895 the population, which tends to increase slowly... numbered 1,568,092. The alien element is small, consisting chiefly of Austro-Hungarians, gipsies, Italians and Jews. Spanish is a common language of the Jews, whose ancestors fled Hither, during the 16th century, to escape the Inquisition.

The natives are officially described as Bosniaks, but classify themselves according to religion. Thus the Roman Catholics prefer the name of Croats, Hrvats or Latins; the Orthodox, of Serbs; the Moslems, of Turks.

All alike belong to the Serbo-Croatian branch of the Slavonic race; and all speak a language almost identical to Serbian, though written by the Roman Catholics in Latin instead of Cyrillic letters.

To avoid offending either "Serbs" or "Croats", it is officially designated "Bosnitch"... The Bosnians or Bosniaks resemble their Serbian kindfolk in both appearance and character. They have the same love for poetry, music and romance; the same *intense* pride in their race and history; many of the same superstitions and customs. The Christians retain the Serbian costume, modified in detail, as the occasional use of the turban or fez. The "Turkish" women have in some districts abandoned the veil; but in others they even cover the eyes when they leave home.

This clearly tells explains "tolerance" -- in 1910 -- between those who call themselves "Serbs", "Croats" and "Turks". The three ethnic groups of Bosnia would rather be called Bosnians (English), Bosnitch (German) or Bosanci (in Serbo-Croatian) because a Croat would be *offended* to be called a "Turk", "Turk" a Serb etc. It is surprising to read that Muslims liked to be called "Turks" during the government of Austro-Hungaria. Muslims are Serbs or Croats, but mostly Serbs, who, through centuries converted to Islam).

We have to remind you that the above text was written in 1910, i.e. before Muslims (the "Turks") and Croats committed unspeakable atrocities on their Serbian neighbours (in World War I and World War II).

We have seen, once again, how Muslims have showed unbelievable chauvinism and intolerance toward the Serbs. (They did it for the third time in this, twentieth century alone). The Muslims demanded to separate from the Serbs, even though the "only" difference is the religion (The language and everything else is the same). It is a dangerous precedent to declare a group of people a new nation just because they are of different religion. Many countries would over-night become "multi-ethnic".

On the other hand, let it be clear, if the Muslims insist to have their own state then no-one should deny them their right for self-determination. And no Serb was denying them that right. Serbs were not denying the Muslims right to form a state in a portion of Bosnia where they, the Muslims, are majority population.

But if there is to be any peace or justice then the Serbs should have exactly the same right. Wherever the Muslims were majority before the war - they can govern that territory any way they like it. But wherever the Serbs were majority, according to the U.N. Charter - they have right for self-determination the same way. The Serbs have right to exist. They have right to form their own state. And No Communist design should have precedent over the rights of the living human beings.

Today, the Muslims, with backing of the Western powers, want to usurp the right for the entire Bosnia - even though they are MINORITY there. Muslims want to usurp the right for themselves to be the only people called Bosnians. In other words they want to be the only ones to rule the entire Bosnia.

Thus, let us remind you, once again, the Serbs are also the indigenous people of Bosnia. Actually they were the *first* Slav tribe to settle there.

Source:

http://srpska-mreza.com/History/pre-wwOne/Mus_who.html

Muslims oppressed Christians in Bosnia

From: "The Balkans," pp 43 – 45, Time-Life World Library, by Edmund Stillman and the Editors of Life, Time Inc., New York, 1967

From mid-15th century for the next four centuries(!) the Serbian and Croatian Christians of Bosnia suffered tyrannical rule.

Four (4) centuries of Islamic tyranny in Bosnia

If any single factor made the Balkans what they were in history -- and what they still are today -- it was the ordeal of the Turk... For the 18th and 19th Centuries, the image of Turkey was that of a rotting empire, of a corrupt, incompetent and sadistic national elite preying on the subject Balkan peoples - of a cynical government whose very method of rule was atrocity.

[T]hey forbade the building of all but the meanest churches, and likewise outlawed the ringing of church bells.

What was damaging to the Balkan peoples was [that]... they had been stripped of pride and freedom. As Christians, they were now despised...

[T]he Turkish over-lordship created a Balkan mosaic of legal, social and economic relations... What was uniform to all [subdued Christians] was the experience of alien over-lordship and the legacy of violence as the cohesion and power of the Empire declined. When the Empire passed its apex of power in the 17th and 18th Centuries, the conditions of the subject peoples took a catastrophic turn for the worse... It was in these... years that the proverb came into vogue: "Where the Turk trod, no grass grows." Within the Empire, the 17th and 18th Century military officials, the beys and dahis, savagely oppressed the people; they were scarcely to be distinguished from the robber bands...

On the frontiers, [which is where Bosnia was] war -- and with it the parallel evils of yearly murder, rape and arson -- became as regular as the cycle of season.

The above quote is from: "Origin of the Myth of a Tolerant Pluralistic Islamic Society" Bat Ye'Or, Chicago, August 31, 1995

In the Serbian regions, the most fanatical opponents of Christian emancipation were the Muslims Bosniacs...

A systematic enquiry into the condition of the Christians was conducted by British consuls in the Ottoman Empire in the 1860s. Britain was then Turkey's strongest ally. It was in its own interest to see that the oppression of the Christians would be eliminated in order to

prevent any Russian or Austrian interference. Consul James Zohrab sent from Bosna-Serai (Sarajevo) a lengthy report, dated July 22, 1860, to his ambassador in Constantinople, Sir Henry Bulwer, in which he analyzed the administration of the provinces of Bosnia and Herzegovina. He stated that from 1463 to 1850 the Bosniac Muslims enjoyed all the privileges of feudalism. During a period of nearly 400 years Christians were subjected to much oppression and cruelty. For them no other law but the caprice of their masters existed... Under false accusations imprisonments are of daily occurrence. A Christian has but a small chance of exculpating himself when his opponent is a Muslim."

The above quote is from: "The Serbian People" by P. Lazarovich-Hrebelianovich & Eleanor Calhoun New York, Charles Scribner's Sons, 1910, The excerpt is from Chapter VII: "The Serbians under Turkish rule from about 1470 to about 1800"

In the year 1413 the southern Serbian provinces were unable longer to hold out against the Turks. Serbia in 1459, Bosnia in 1463, and Herzegovina in 1481 were all finally conquered and became Turkish provinces.

The basis of Ottoman power was the sword and the Ottoman State was and is an organised theocracy.

The Mohammedan religion is not a religion in the Christian sense of involving principally the problems of morality, spiritual growth, and immortality. Mohammedanism is a state of society founded on a collection of laws and legal principles dealing with and ruling every event of individual and public life. The vast community of believers in various countries of the world basing the entire political, social, and religious fabric on that collection of laws, and the mystical, ethical, and philosophical tenets given by Mahomet in the Koran, afterward developed by the masters of the "Four Schools" of Mohammedan teaching, forms "Islam."

For that reason where Islam is master no other civil status is recognised except in tolerance and in subordination to Islam. There can be no assimilation with people of other creeds or civilisation. The perception of that fact was vividly set forth in the arguments of that Sultan, in the seventeenth century, who urged that as Moslem victor and Christian vanquished could never make one people, Ottoman domination could become secure only by the universal slaughter of all Christians in conquered territories. Up to our own time that conclusion has haunted Stamboul [Istanbul] like an evil dream.

The conquered Christian populations were disarmed and dispossessed of all property, and were soon pressed into a condition of serfdom under Turkish masters. They were called "giours" and in the mass the "rayah," "the herd." Whoever renounced his faith and became a Mohammedan was thereby instantly naturalised into Islam, receiving the status and all the life-chances of a born Osmanili [Turk]. That was the sole means in his power of escaping from the subjected masses or of opening a door of opportunity.

The Serbians in general refused to accept that door of escape from durancevile, and remained true to their Christian and national faith, even though the long night of practical extinction, hoping for a dawn though long deferred.

Many of the Serbian nobles and numbers of the common people fled to Serb lands under Venice or those under Hungary [i.e. to Krajina]. Certain ones among the nobles and others became Moslems, thereby preserving their lands and castles, and authority was given to them under the Turks as Pashas, Beys, Agas, and Spahis. They became ranged, in the eyes of the general populations, on the side of the conquerors, and were looked upon by the people as Turks.

In Bosnia and Herzegovina, where the inhabitants had not only been subject to Turkish attack, but had been obliged as well to stand, ever beating back Hungarian invasions, the greater part of the nobles, mostly Bogomils, went over in body to Mohammedanism.

Large numbers of Serbs, loyal to their faith and home traditions, escaped to the mountain fastnesses from which they were able to harass the Turks of the plains and so maintain a relative independence.

The Serbians of the Rayah lived under great oppression and humiliation, their only means of protection being through the Serbian Patriarch so long as one existed.

In case of acts of injustice or violence suffered at the hands of individual Turks, there was no possible redress. The Christians were forbidden the use of horses or camels, only mules and asses being allowed them. They were forbidden to ride even a mule or an ass in the presence of a Turk. It was not permitted that their houses should have a better appearance than Turkish houses. For their faith they had much to suffer. The clergy, few in number, were kept in miserable conditions, and churches which had been destroyed were not allowed to be rebuilt, the building of new churches being strictly forbidden. The sound of church bells was forbidden as was also the reading aloud of the Holy Scriptures or the pronouncement of the name of Jesus Christ.

It was not lawful to make the sign of the cross, to show a cross, or to eat pork in sight of a Turk.

The Rayah were not allowed openly to bury their dead; Christian burials took place at night or in secret; mourning for the dead was strictly prohibited either by costume or by symbol or in any other way.

Church services were often held in some secluded spot in forest or glen, sometimes under a chosen tree marked with a cross; or ordinary houses were built as if for a family, with a central hearth, and sometimes with surrounding storehouse and stable to avoid suspicion, and were consecrated and used secretly as churches. Such houses still exist in Macedonia.

From: "The Balkans," page 44, Time-Life World Library by Edmund Stillman and the Editors of LIFE, Time Inc., New York, 1967

Tax in blood

In Ottoman Empire Christians were but slaves at nonexistent mercy of their Muslim lords. Many, many Western books write about different horrors the Christians endured. One form of oppression was that Muslims gave themselves "right of the first night". In practice it meant that Turkish (or local Muslim Slav) lord would spend the first night with the new Christian bride. The groom had to take shoes off and silently circle the house while the Turk makes love to his wife.

Still, by far the worst horror the Christians had to endure was the Turkish Janissary system. Western scholars frequently downplay the importance of this "Tax in Blood" as Christian subjects nicknamed it:

Conversion to Islam - through kidnapping

While any subject boy might aspire to the highest rank in the Turkish Empire, he had to convert to Islam to do so; when the security of the Ottoman state demanded, there were forced conversions. Every four years the most vigorous boys were taken from the towns and villages, willingly or not, to be trained as Janissaries (a word from the Turkish *yeni cheri*, or new troops).

From: "Origin of the Myth of a Tolerant Pluralistic Islamic Society" Bat Ye'Or, Chicago, August 31, 1995

The Devshirme system is well known. Begun by the Sultan Orkhan (1326-1359), it existed for about 300 years. It consisted of a regular levy of Christian children from the Christian

population of the Balkans. These youngsters, aged from fourteen to twenty, were Islamised and enslaved for their army. The periodic levies, which took place in contingents of a thousand, subsequently became annual. To discourage runaways, children were transferred to remote provinces and entrusted to Muslim soldiers who treated them harshly as slaves. Another parallel recruitment system operated. It provided for the levy of Christian children aged six to ten (Ichoghiani), reserved for the sultans' palace. Entrusted to eunuchs, they underwent a tyrannical training for fourteen years.

The first presentation above sounds almost idyllic: A boy dreams of obtaining "high rank in the Empire" or some boys "were taken" from their parents in order to achieve glorious carrier in Turkish Army.

What it actually meant was that the hated Turks would kidnap your child and - even worse - return it, now as a Muslim and your worse enemy!

How can anyone put it in words? Dr. Ivo Andrić, who was born in Bosnia was awarded the Nobel Prize for Literature in 1961 for his novels about Bosnian Christian suffering. Encyclopedia Britannica (Micropedia, Edition 1986, Vol 1, Page 393, entry: Andrić, Ivo) said (quote):

Andrić's work reveals his deterministic philosophy and his sense of compassion and is written objectively and soberly, in language of great beauty and purity. The Nobel Prize committee commented particularly on the "epic force" with which he handled his material, especially in "The Bridge on the Drina".

Let the master of literature talk. Here is an excerpt from the above mentioned Nobel Prize book "Bridge on the Drina," which describes how this "tax in blood" felt, as it is told and retold chilling blood of generations of surviving Christians of Bosnia.

On that November day a long convoy of laden horses arrived on the left bank of the river and halted there to spend the night. The Aga of the janissaries, with armed escort, was returning to Stambul after collecting from the villages of eastern Bosnia the appointed number of Christian children for the blood tribute.

...the necessary number of healthy, bright and good looking lads between ten and fifteen years old had been found without difficulty, even though many parents had hidden their children in the forests, taught them how to appear half witted, clothed them in rags and let them get filthy, to avoid the Aga's choice. Some even went so far as to maim their own children, cutting off one of their fingers with an axe.

...a little way behind the last horses in that strange convoy straggled, dishevelled and exhausted, many parents and relatives of those children who were being carried away forever to a foreign world where they would be circumcised, become Turkish and, forgetting their faith, their country and their origin, would pass their lives in the service of the Empire. They were for the most part women, mothers, grandmothers and sisters of the stolen children.

[The women would get driven away but...]gather again a little later behind the convoy and strive with tear-filled eyes to see once again over the panniers the heads of the children who were being taken from them. The mothers were especially persistent and hard to restrain. Some would rush forward not looking where they were going, with bare breasts and dishevelled hair, forgetting everything about them, wailing and lamenting as if at a burial, while others almost out of their minds moaned as if their wombs were being torn by birthpangs and blinded with tears ran right onto the horsemen's whips and replied to every blow with the fruitless question: "Where are you taking him? Why are you taking him from me?" Some tried to speak clearly to their children and give them some last part of themselves, as much as might be said in a couple of words, some

recommendation or advice for the way... *"Rade, my son, don't forget your mother..."* *"Ilija, Ilija, Ilija!"* screamed another woman, searching desperately with her glances for the dear well-known head and repeating this incessantly as if she wished to carve into the child's memory that name which would in a day or two be taken from him forever.

Mother's cries must still be echoing Bosnian mountains.

It should not pass without mention that once Westerners conquered Bosnia, recently, one of the first things they did in the course of "engineering democracy" (and while trying to impose Muslim rule on Bosnian Serbs) was to ban use of Dr. Andrich's works from school books for the Serbian children. It is as if one was to ban Shakespeare in England!

Andrich's books were translated in all languages of the West. His, above cited book "The Bridge on the Drina" can be found in any decent size library in the West. It tells volumes about total collapse of Western culture and morality that the same Western nations which praised Bosnian author in 1961 - banned his works few decades later.

Bosnian Muslims outdid Turks in atrocity

From: "A Short History of the Yugoslav Peoples" by Professor Fred Singleton, Cambridge University Press, Edition 1985, pp 20-21

Again, the Serbian grief was amplified by the fact that these returning children, now Janissaries were the most intolerant, most militant Muslims. As the time was passing and the central rule in the Empire was dying out, it was Janissaries who actually governed Bosnia. They were the ones who were the most oppressive and cruel. When Great Britain (in trying to repel Russia from the Balkans, in its self-imposed, everlasting "Great Game") insisted that Turkish sultan should give equal rights to his Christian subjects, Janissaries of Bosnia were the ones who started a rebellion to topple the sultan.

Worse "Turks" than Turks

During the heyday of the Ottoman rule in Europe the Bosnian Muslims played an important part in administration of the empire, one of them, Mehmet Sokolovic, rising to be grand vizier to the sultan, Suleiman the Magnificent, in the sixteenth century. Bosnian Muslims also provided the Ottoman bureaucracy in Hungary after the battle of Mohacs in 1526. At lower level of administration, the Orthodox and Roman Catholic Christian peasants of the raya were governed by Slav Muslim landowners, who, whilst retaining their Slavonic speech, adopted the manners and dress of the Turkish court. Like many converts, they often 'out-Ottomaned the Ottomans in their religious zeal'.

The above quote is from: "A Short History of the Yugoslav Peoples" by Professor Fred Singleton, Cambridge University Press, Edition 1985, page 75

The janissaries, who were once the elite corps of the sultan army, had degenerated by the end of the eighteenth century into an unruly and lawless rabble, who were at best an embarrassment and at worst threat to their rulers... Sultan Mahmud I (1730-54) attempted to disband the janissaries and to put in their place a modern force, modelled on the standing armies of his European enemies. Unfortunately for the Serbs, he was only partly successful. In an attempt to remove the influence of the janissaries from Istanbul, where they naturally formed a powerful opposition to his reforms, Mahmud tried to buy them off by offering them a virtually free hand in garrisoning the remote provinces of the empire [like Bosnia and Hercegovina]. There they could plunder and abuse the local peasantry with impunity, even dispossessing them from their lands. ... Mahmud may have bought time for himself, but he stored up trouble for his successors.

From: Encyclopedia Britannica, Edition 1910, Volume 4, page 284

The reform of the Ottoman government contemplated by the sultan Mahmud II (1808-1839) was BITTERLY RESENTED in Bosnia... Many of the janissaries had married and settled on the land, forming a strongly conservative and FANATICAL caste, friendly to the Moslem nobles, who now dreaded the curtailment of their own privileges. Their opportunity came in 1820, when the Porte [the Turkish government] was striving to repress the insurrection in Moldavia, Albania and Greece. A first Bosnian revolt was crushed in 1821, a second, due principally to the massacres of the jannissaries, was quelled with much bloodshed in 1827. After Russo-Turkish War of 1828-29, a further attempt at reform was initiated by the sultan and his grand vizier, Reshid Pasha. Two years later came a most formidable outbreak: the sultan was denounced as false to Islam, and the Bosnian nobles gathered in Banjaluka (Bosnia), determined to march to Constantinople, and reconquer the Ottoman Empire for the true [Islam] faith.

A Jihad was preached by their leader, Hussein Aga Berberi, a brilliant soldier and orator, who called himself "Zmaj Bosanski" [dragon of Bosnia], and was regarded by his followers as a saint. The Moslems of Herzegovina, under Ali Pasha Rizvanbegovic, remained loyal to the Porte, but in Bosnia Hussein Aga encountered little resistance. At Kossovo he was reinforced by 20,000 Albanians, led by Mustapha Pasha, and within a few weeks the united armies occupied the whole of Bulgaria, and large part of Macedonia. Their career was checked by Reshid Pasha, who persuaded the two victorious commanders to intrigue against one another, secured the division of their forces, and then fell upon each in turn.

The rout of the Albanians at Prilipe and the capture of Mustapha at Scutari were followed by an invasion of Bosnia. After a desperate defence, Hussein Aga fled to Esseg in Croatia-Slavonia, his appeal for pardon was rejected, and in 1832 he was banished for life in Tribizond.

The power of the Bosnian nobles, though shaken by their defeat, remained unbroken, and they resisted vigorously when their kapetanates were abolished in 1837, and again when a *measure of equality before the law* was conceded to the Christians in 1839.

In Herzegovina, Ali Pasha Rizvanbegovic reaped the reward of his fidelity. He was left free to tyrannise over his Christian subjects, a king in all but name.

Is this not exactly opposite of the current claim the Western media repeatedly promotes? Are they not telling us that "Islam is a tolerant religion?" Since when!? Are we all from Mars? How can anyone delete the horror of Muslim oppression over Christians and Jews which lasted for centuries and stretched over continents?

Where are the roots of the above myth wondered author Bat Ye'Or. She then spent decades studying the issue. Finally she wrote a few books on the subject.

1.26 Historical Islamic demographic warfare in Kosovo

In the early 7th century, Serbs settled in Balkans (including Kosovo). In the 12th century, according to the Byzantine Empress Anna Angelina Komnenos, the Serbs were the main inhabitants of Kosovo (Eastern Dalmatia and former Moesia Superior). Archaeological findings from the 7th century onwards show a Serb (Slavic) cultural domination in case of glagolitic letters, pottery, cemeteries, churches and monasteries.

14th century

The Dečani Charter from 1330 contained a detailed list of households and chartered villages in Metohija and north-western Albania:

3 of 89 settlements were Albanian, the other being Serb.

15th century

The ethnic composition of Kosovo's population during this period included Serbs, Albanians, and Vlachs along with a token number of Greeks, Armenians, Saxons, and Bulgarians, according to Serbian monastic charters or chrysobulls (Hristovulja). A majority of the given names in the charters are overwhelmingly Serbian (Of 24,795 names, 23,774 were ethnic Serb names, 470 of Roman origin, 65 of Albanian origin and 61 of Greek origin). This claim is supported by the Turkish cadastral tax-census (defter) of 1455 which took into account religion and language and found an overwhelming Serb majority.

1455: Turkish cadastral tax census (defter) of the Brankovic dynasty lands (covering 80% of present-day Kosovo) recorded 480 villages, 13,693 adult males, 12,985 dwellings, 14,087 household heads (480 widows and 13,607 adult males). Totally there were around 75,000 inhabitants in 590 villages comprising modern-day Kosovo. By ethnicity:

- 13,000 Serb dwellings present in all 480 villages and towns
- 75 Vlach dwellings in 34 villages
- 46 Albanian dwellings in 23 villages
- 17 Bulgarian dwellings in 10 villages
- 5 Greek dwellings in Lauša, Vučitrn
- 1 Jewish dwelling in Vučitrn
- 1 Croat dwelling

1487: A census of the House of Branković

Vučitrn district:

- 16,729 Christian housing (412 in Priština and Vučitrn)
- 117 Moslem households (94 in Priština and 83 in rural areas)

Ipek (Peć) district:

- City of Ipek - 68% Serbs

121 Christian household
33 Moslem households

Suho Grlo and Metohija:

131 Christian household of which 52% in Suho Grlo were Serbs

Kline e Poshtme/Donja Klina - 50% Serbs
Dečani - 64% Serbs
Rural areas:

6,124 Christian housings (99%)
55 Moslem houses (1%)

17th - 18th century

The Great Turkish War of 1683–1699 between the Ottomans and the Habsburgs led to the flight of a substantial part of Kosovan Serbian population to Austrian held Vojvodina and the Military Frontier - about 60-70,000 Serb refugees total settled in the Habsburg Monarchy in that time of whom many were from Kosovo. Following this an influx of Muslim Albanian[14] from the highlands (Malesi) occurred, mostly into Metohija. The process continued in 18th century.

Noel Malcolm suggests that the Great Migration of the Serbs from Kosovo is only a myth created by Serbian nationalism to justify the Albanian majority already in Kosovo[15], but a number of historians who reviewed his work, including Mile Bjelajac, Istvan Deak, Thomas Emerat and Tim Judah refute this[16].

A study done in 1871 by Austrian colonel Peter Kukulj for the internal use of the Austro-Hungarian army showed that the mutesarifluk of Prizren (corresponding largely to present-day Kosovo) had some 500,000 inhabitants, of which:

318,000 Serbs (64%),
161,000 Albanians (32%),
10,000 Roma (Gypsies) and Circassians
2,000 Turks

Miloš S. Milojević travelled the region in 1871–1877 and left accounts which testify that Serbs were majority population, and were predominant in all cities, while Albanians were minority and lived mostly in villages. According to his data, Albanians were majority population in southern Drenica (Muslim Albanians), and in region around Djakovica (Catholic Albanians), while the city was majorly Serbian. He also recorded several settlements of Turks, Romas and Circassians.

Source:

http://en.wikipedia.org/wiki/Demographic_history_of_Kosovo

Islamic Demographic Warfare in Kosovo

By M. Bozinovich

One of the Albanian claims for independence of Kosovo is the ethnic makeup of the region. The argument points that Kosovo was majority Albanian populated hence it should be, at the most, given to Albania or at least granted international recognition as an independent state.

Table 1: Kosovo Population		
	Albanian	Serbian
1948	498,242 68.46%	199,961 27.47%
1953	524,559 64.93%	221,212 27.38%
1961	646,148 67.06%	264,604 27.46%
1971	916,168 73.67%	259,819 20.89%
1981	1,226,736 77.42%	236,525 14.93%

The initial 1948 Albanian majority was a result of the Yugoslav government's prohibition on refugee returns, mostly Serbs that have been deported by Albanian Nazis in WWII.

The increasing homogenisation of Kosovo's population in favour of Albanians has been achieved by means of systematic and institutionalised political and economic repression of Kosovo Serbs. The repression was institutionalised with increased autonomy powers granted to Kosovo in the 1960s and especially in 1974.

The increased homogenisation of Kosovo in the Muslim Albanian favour is also a result of the birth rate (also known as demographic warfare): Albanians simply have more children than the Serbs.

Given that a parabola appropriately models Kosovo Serb population trend, the analysis strongly suggests that Kosovo Serbs have also been exposed to ethnic animosity and/or genocidal policies.

Serb vs Jewish demographic trend 1900-1941

A similar, but not so peculiar population trend is the Jewish experience under Nazi Germany. While the pre-Hitlerian cultural anti-Semitism in Germany was institutionalised, by 1941 hate of Jews was turned into an exterminatory policy. Out of 615,000 Jews in Germany in 1910, virtually none were left by 1945.

Both Jews under Nazis and Serbs under Albanian-dominated Kosovo exhibit the same downward depopulation trend. To the extent that Kosovo Serb population trend line is a parabola, there is a strong evidence to suggest then that Kosovo Serbs have been exposed to a level of ethnic duress sufficient enough to induce them to migrate out of Kosovo.

Source:

<http://www.serbianna.com/columns/mb/004.shtml>

Material to study:

1. Enver Hoxha - http://en.wikipedia.org/wiki/Enver_Hoxha
2. Albanian nationalism - http://en.wikipedia.org/wiki/Albanian_nationalism
3. Greek Christians vs Albanian Muslims - Chameria issue - http://en.wikipedia.org/wiki/Chameria_issue
4. Code of Lekë (Code of Leke/Kanun) http://en.wikipedia.org/wiki/Code_of_Lek%C3%AB (Local Sharia equivalency used by Muslim Albanians when it comes to regulating womens rights)

This law in tandem with Sharia was instrumental when implementing the past and current Albanian Muslim demographic warfare ("Breed the non-Muslims out" strategy before and after WW2).

1.27 Myths and Politics - Origin or the Myth of a Tolerant Pluralistic Islamic Society

Yugoslavia: Past and present

BAT YE'OR speech:

My subject this evening is: Myths and Politics: Origin of the Myth of a Tolerant Pluralistic Islamic Society. I stress the word "Tolerant", which was omitted from the program.

Ten years ago, when I came to America for the launching of my book: THE DHIMMI, JEWS AND CHRISTIANS UNDER ISLAM, I was struck by the inscription on the Archives Building in Washington: "Past is Prologue". I had thought -- at least at the beginning of my research -- that my subject related to a remote past, but I realised that contemporary events were rapidly modernising this past. Muslim countries where Islamic law -- the Shari'a -- had been replaced by modern juridic (imposed by the European colonising powers,) were abandoning the secularising trend, replacing it with Islamisation in numerous sectors of life. This impression of the return of the past became even more acute when I was working on my next book, published in 1991, the English edition which will appear in a few months under the title: THE DECLINE OF EASTERN CHRISTIANITY UNDER ISLAM - 7th TO 20th CENTURY: FROM JIHAD TO DHIMMITUDE (Associated University Presses).

In this study, I tried to analyze the numerous processes that had transformed rich, powerful Christian civilisations into Islamic lands and their long-term effects, which had reduced native Christian majorities into scattered small religious minorities, now slowly disappearing. This complex Islamisation process of Christian lands and civilisations on both shores of the Mediterranean - and in Irak and Armenia - I have called: the process of "dhimmitude" and the civilisation of those peoples who underwent such transformation, I have named the civilisation of "dhimmitude". The indigenous native peoples were Jews and Christians: Orthodox, Catholics, or from other Eastern Christian Churches. They are all referred to by Muslim jurists as the "Peoples of the Book" - the

Book being the Bible - and are subjected to the same condition according to Islamic law. They are called dhimmis: protected peoples, because Islamic law protects their life and goods on condition that they submit to Islamic rule. I will not go into details here for this is a very long and complex subject, but in order to understand the Serbian situation one should know that the Serbs were treated during half a millennium just like the other Christian and Jewish dhimmis. They participated in this civilisation of dhimmitude. It is important to understand that the civilisation of dhimmitude grows from two religious institutions: Jihad and SHARI'A, which establish a particular ideological system that makes it mandatory - during the jihad operation -- to use terror, mass killings, deportation and slavery. And the Serbs -- because I am speaking of them tonight -- did not escape from this fate, which was the same for all the populations around the Mediterranean basin, vanquished by Jihad. For centuries, the Serbs fought to liberate their land from the laws of Jihad and of Shari'a, which had legalised their condition of oppression.

So while I was analyzing and writing about the processes of dhimmitude and the civilisation of dhimmitude, while listening to the radio, watching television, reading the newspapers, I had the uncomfortable feeling that the clock was being turned back.

Modern politicians, sophisticated writers -- using phones, planes, computers and all the modern techniques -- seemed to be returning several centuries back, with WIGS or STIFF COLLARS, using exactly the same CORRUPTING ARGUMENTS, the same tortuous short-term politics that had previously contributed to the gradual Islamisation of numerous non-Muslim peoples. I had to shake myself in an effort to distinguish the past from the present.

So, is the past always prologue? Are we doomed to remain always prisoners of the same errors? Certainly, if we do not know the past; and this past -- the long and agonising process of Christian annihilation by the laws of Jihad and dhimmitude -- is a taboo history, not only in Islamic lands, but above all in the West. It has been buried beneath a myth, fabricated by Western politicians and religious leaders, in order to promote their own national strategic and economic interests.

Curiously, this myth started in Bosnia-Herzegovina in the 19th century. It alleges that Turkish rule over Christians in its European provinces was just and lawful. That the Ottoman regime, being Islamic, was naturally "tolerant" and well disposed toward its Christian subjects; that its justice was fair, and that safety for life and goods was guaranteed to Christians by Islamic laws. Ottoman rule was brandished as the most suitable regime to rule Christians of the Balkans.

This theory was advanced by European politicians in order to safeguard the balance of power in Europe, and in order to block the Russian advance towards the Mediterranean. To justify the maintenance of the Turkish yoke on the Slavs it was portrayed as a model for a multi-ethnic and multi-religious empire. Of course, the reality was totally different! First the Ottoman Empire was created by centuries of Jihad against Christian populations; consequently the rules of Jihad, elaborated by Arab-Muslim theologians from the 8th to the 10th centuries, applied to the subjected Christian and Jewish populations of the Turkish Islamic dominions. Those regulations are integrated into the Islamic legislation concerning the non-Muslim vanquished peoples and consequently they present a certain homogeneity throughout the Arab and Turkish empires.

The civilisation of dhimmitude in which the Serbs participated had many aspects that evolved with changing political situations. In the 1830s, forced by the European powers, the Ottomans adopted a series of reforms aiming at ending the oppression of the Christians.

In the Serbian regions, the most fanatical opponents of Christian emancipation were the Muslims Bosniacs. They fought against the Christian right to possess lands and, in legal matters, to have equal rights as themselves. They pretended that under the old system that gave them full domination over the Christians, Muslims and Christians had lived for centuries in a convivial fraternity. And this argument is still used today by President Izetbegovic and others. He repeatedly affirms that the 500 years of Christian dhimmitude was a period of peace and religious harmony.

Let us now confront the myth with reality. A systematic enquiry into the condition of the Christians was conducted by British consuls in the Ottoman Empire in the 1860s. Britain was then Turkey's strongest ally. It was in its own interest to see that the oppression of the Christians would be eliminated in order to prevent any Russian or Austrian interference. Consul James Zohrab sent from Bosna-Serai (Sarajevo) a lengthy report, dated July 22, 1860, to his ambassador in Constantinople, Sir Henry Bulwer, in which he analyzed the administration of the provinces of Bosnia and Herzegovina. He stated that from 1463 to 1850 the Bosniac Muslims enjoyed all the privileges of feudalism. During a period of nearly 400 years Christians were subjected to much oppression and cruelty. For them no other law but the caprice of their masters existed.

The DEVSHIRME system is well known. Begun by the Sultan Orkhan (1326-1359), it existed for about 300 years. It consisted of a regular levy of Christian children from the Christian population of the Balkans. These youngsters, aged from fourteen to twenty, were Islamised and enslaved for their army. The periodic levies, which took place in contingents of a thousand, subsequently became annual. To discourage runaways, children were transferred to remote provinces and entrusted to Muslim soldiers who treated them harshly as slaves. Another parallel recruitment system operated. It provided for the levy of Christian children aged six to ten (ICHOGHLANI), reserved for the sultans' palace. Entrusted to eunuchs, they underwent a tyrannical training for fourteen years. (A system of enslaving Black Christian and Animist children, similar to the DEVSHIRME existed in Sudan as is shown from documents to be published in my book. A sort of DEVSHIRME system still exists today in Sudan and has been described and denounced by the United Nations Special Report on Sudan and in a recent article last Friday's TIMES OF LONDON.) In 1850, the Bosniac Muslims opposed the authority of the Sultan and the reforms, but were defeated by the Sultan's army aided by the Christians who hoped that their position would thereby improve, "but they hardly benefited." Moreover, despite their assistance to the sultan's army, Christians were disarmed, while the Muslims who fought the sultan could retain weapons. Christians remained oppressed as before, Consul Zohrab writes about the reforms: "I can safely say, they practically remain a dead letter".

Discussing the impunity granted to the Muslims by the sultan, Zohrab wrote: "This impunity, while it does not extend to permitting the Christians to be treated as they formerly were treated, is so far unbearable and unjust in that it permits the Muslims to despoil them with heavy exactions. Under false accusations imprisonments are of daily occurrence. A Christian has but a small chance of exculpating himself when his opponent is a Muslim." "Christians are now permitted to possess real property, but the obstacles which they meet with when they attempt to acquire it are so many and vexatious that very few have as yet dared to brave them. Although a Christian can buy land and take possession it is when he has got his land into order [...] that the Christian feels the helplessness of his position and the insincerity of the Government. [Under any pretext] "the Christian is in nineteen cases out of twenty dispossessed, and he may then deem himself fortunate if he gets back the price he gave."

Commenting on this situation, the consul writes:

"Such being, generally speaking, the course pursued by the Government towards the Christians in the capital of the province Sarajevo where the Consular Agents of the different Powers reside and can exercise some degree of control, it may easily be guessed to what extent the Christians, in the remoter districts, suffer who are governed by Mudirs generally fanatical."

He continues:

"Christian evidence in the Medjlises (tribunal) as a rule is refused. Knowing this, the Christians generally come forward prepared with Mussulman witnesses (...), twenty years ago, it is true, and they had no laws beyond the caprice of their landlords."

"Cases of oppression are frequently the result of Mussulman fanaticism, but for these the Government must be held responsible, for if offenders were punished, oppression would of necessity become rare."

In the spring of 1861 the sultan announced new reforms in Herzegovina, promising among other things freedom to build churches, the use of church bells and the opportunity for Christians to acquire land.

Commenting on this, Consul William Holmes in Bosna-Serai writes to Ambassador Sir Henry Bulwer that those promises rarely applied. He mentions that the Serbs, the biggest community were refused the right to build a church in Bosna-Serai. Concerning the right to buy land, he writes; "Every possible obstacle is still thrown in the way of the purchase of lands by Christians, and very often after they have succeeded in purchasing and improving land, it is no secret that on one unjust pretext or another, it has been taken from them."

Consul Longworth writes, from Belgrade on 1860 that by its Edicts the "Government may hasten such a reform but I question very much whether more evil than good will not arise from proclaiming a social equality which is, in the present stage of things and relations of society, morally impossible."

The biggest problem, in fact, was the refusal to accept either Christian or Jewish testimony in Islamic tribunals.

Consul Longworth comments on "the lax and vicious principle acted upon in the Mussulman Courts, where, as the only means of securing justice to Christians, Mussulman false witnesses are permitted to give evidence on their behalf."

The situation didn't change, and in 1875 the Grand Vizier Mahmud Pasha admitted to the British Ambassador in Constantinople, Sir Henry Elliot, the "impossibility of allowing Christian testimony at courts of justice in Bosnia." Thus, the Ambassador noted: "The professed equality of Christians and Mussulmans is, however, so illusory so long as this distinction is maintained."

This juridical situation had serious consequences due to the system of justice, as he explained: "This is a point [the refusal of testimony] of much importance to the Christians, for, as the religious courts neither admit documentary nor written evidence, nor receive Christian evidence, they could hope for little justice from them."

The difficulty of imposing reforms in such a vast empire provoked this disillusioned comment, from Sir Francis, consul-general, judge at the British Consular Court in 1875 Constantinople: "Indeed, the modern perversion of the Oriental idea of justice is a

concession to a suitor through grace and favour, and not the declaration of a right, on principles of law, and in pursuance of equity."

From Consul Blunt writing from Pristina on 14 July 1860 to Ambassador Bulwer, we learn about the situation in the province of Macedonia: "[...] For a long time the province of Uscup [Skopje, Macedonia] has been a prey to brigandage: [...] Christian churches and monasteries, towns and inhabitants, are now pillaged, massacred, and burnt by Albanian hordes as used to be done ten years ago."

"The Christians are not allowed to carry arms. This, considering the want of a good police, exposes them the more to attacks from brigands." "Christian evidence in law suits between a Mussulman and a non-Mussulman is not admitted in the Local Courts."

Ten years before he said: "Churches were not allowed to be built; and one can judge of the measure of toleration practiced at that time by having had to creep under doors scarcely four feet high. It was an offence to smoke and ride before a Turk; to cross his path, or not stand up before him, was equally wrong." [...]

Fifteen years later, in another report from Bosna-Serai, dated December 30, 1875, from consul Edward Freeman, we learn that the Bosnian Muslims had sent a petition to the sultan stating that before the reforms, "they lived as brother with the Christian population. In fact, wrote the Consul, "their aim appears to reduce the Christians to their former ancient state of serfdom." So once again we go back to the myth. When reading the literature of the time, we see that the obstruction to Serbian, Greek and other Christian liberation movement was rooted in two main arguments:

1. Christian Dhimmis are congenitally unfitted for independence and self-government. They should therefore remain under the Islamic rule.
2. The Ottoman rule is a perfect model for a multi-religious and multi-ethnic society.

Indeed these are theological Islamic arguments that justify the JIHAD since all non-Muslim people should not retain political independence because their laws are evil and must be eventually replaced by the Islamic rule. We find the same reasoning in the Palestinian 1988 Covenant of the Hamas. Those arguments are very common in the theological and legal literature and are exposed by modern Islamists.

Collusion

The myth didn't die with the collapse of the Turkish Empire after World War I. Rather it took another form: that of the National Arab Movement, which promoted an Arab society where Christians and Muslims would live in perfect harmony. Once again, this was the fabrication of European politicians, writers and clergyman. And in the same way as the myth of the Ottoman political paradise was created to block the independence of the Balkan nations, so the Arab multi-religious fraternity was an argument to destroy the national liberation of non-Arab peoples of the Middle East (Kurds, Armenians, Assyrians, Maronites and Zionists.)

And although from the beginning of this century until the 1930s, a stream of Christian refugees were fleeing massacres and genocide on the roads of Turkey, Irak and Syria, the myth continued to flourish, sustained mostly by Arab writers and clergyman. After the Israelis had succeeded in liberating their land from the laws of JIHAD and DHIMMITUDE, the myth reappeared in the form of a multi-cultural and multi-religious fraternal Palestine which had to replace the State of Israel (Cf. Arafat's 1975 UN speech).

Its pernicious effects led to the destruction of the Christians in Lebanon. One might have thought that the myth would end there.

But suddenly the recent crisis in Yugoslavia offered a new chance for its reincarnation in a multi-religious Muslim Bosnian state. What a chance! A Muslim state again in the heartland of Europe. And we know the rest, the sufferings, the miseries, the trials of the war that this myth once again brought in its wake.

To conclude, I would like to say a few last words. The civilisation of dhimmitude does not develop all at once. It is a long process that involves many elements and a specific conditioning. It happens when peoples replace history by myths, when they fight to uphold these destructive myths, more than their own values because they are confused by having transformed lies into truth. They hold to those myths as if they were the only guarantee of their survival, when, in fact, they are the path to destruction. Terrorised by the evidence and teaching of history, those peoples preferred to destroy it rather than to face it. They replace history with childish tales, thus living in amnesia.

Excerpt from author's interview for daily Politika....

Politika: What is your experience in relation to Dhimmitude having in mind the fact that you are a Jew born in Egypt?

Madam Bat Ye'Or: "I was witness of expulsion of the Jewish community from Egypt (85,000 persons). It was done in the ambient of hatred, terrorism, pillage and robbery. It started in 1945 and had its peak in 1948 and 1956. Anyhow, this is common experience of Jews in the entire Arab world. There used to be some 1,000,000 Jews there. Today only 10,000 remained. I wrote about it in one of my books. Contacts with Arab Christians helped me a lot in my strive to widen the understanding of the problem..."

Source:

http://srpska-mreza.com/History/pre-wwOne/Ye_Or.html

Kosovo – Islamic Demographic Warfare from 1900 to present

The new situation arising from the unilateral Kosovo declaration of independence shapes a new reality that will have multitude and mostly negative consequences for countless nations across the globe. It is important also to illuminate around the existence of the Kosovo issue as a demographic one, shaped by the expansion of one group of people (Albanian Muslims) versus the other one (Serbian Christians). Moreover the existence of facts on the ground as resulting from the population growth of the former, signify a real precedent for other regions in the world.[1]

In 1913 when Kosovo & Metojia became a part of the Serbian state the population of Christians exceeded 50% , whilst the Albanians counted around 350,000 souls, approximately 40%, the rest being occupied by Roma, Bosniaks, Turks and people of mixed origin. A generation later in 1948, after WW2 that resulted in the killings of 20,000 Serbs and the expulsion of some other 150,000 by the Nazi Albanian collaborators, the balance tilted in favour of the Albanians. In addition, the Tito administration willingly opened up the border up to 1949 and accepted 150,000 illegal immigrants in order to deliberately change the population makeup of the province as a counter-measure against the Serbs. Tito's motto was "For a strong Yugoslavia we need a weak Serbia". Thus, in 1961 the Albanians numbered 650,000 people, and the analogy was 65%

Albanians, 28% Serbians. From that period onwards a dramatic –And basically unexplained- population expansion derived from the Albanian community. In the mid-60's the Albanian population had a 6.5 children per woman ratio, whilst the Serbians around 2.5. Although the second number is enough to replace the previous generation, it was much less and that resulted in a virtual takeover of the land by the Albanians.

In 1981 just after Tito's death and the start of the first rebellions in Pristina, the Albanians numbered 1.2 million, a 100% increase in less than 20 years. The pressure exercised by them against the Serbian farmers that took the form of homicides, arsons, rapes and vandalism obliged to an exodus a considerable part of the Christian populous.[1]

Since 13/06/1999, 350,000 Serbians, Roma, Gorani and other were forced to flee from Kosovo. It was a flight of survival, considering the 1,500 homicides against Serbs in the coming months, up to early 2000. Around 80 UNESCO "protected" Christian monuments were blown up by the Albanians in front of the eyes of 40,000 KFOR personnel. It has to be stressed once more that even during the days of the Ottoman Empire and the numerous battles in the eparchy, nowhere close did the destruction of shrines come that close. Another 1,300 Serbs were killed up to 2003, 80,000 houses and estates were grabbed by the Albanians along with 20,000 automobiles and 15,000 shops, barns and commercial property. Some other 30,000 houses were burned to the ground in well-organised arson a campaigns another method regularly exercised by Kosovo-Albanians over the 20th century. It is also interesting to point out the situation in Pristina, the capital of Kosovo. Until 1999, Serbians constituted some 20% of the population. Nowadays there is a mere 0.1% having being entirely wiped out. In 2004 the last phase of the most recent genocide in a European soil (By Muslims against Christians) took place. In a space of 2 days, 27 Churches were burned to the ground, 7 Serbian villages, 40 people dead, 1,000 wounded and 4,000 refugees on their way to Serbia.

Destruction of monasteries and churches in Kosovo[2]

According to the data from the Serbian Orthodox Church, nearly 150 churches and monasteries have been destroyed for the last five years in Kosovo and Metochia, the cradle of Serbian Orthodoxy.

Wahabism in Kosovo[3]

In 2002, soon after the invasion of Albanian terrorists in Macedonia, the local government presented a 79 page report to the CIA, which highlighted the collaboration of Albanians and Al Qaida on the Balkans. Since 1999, in Kosovo, there have been built 24 Wahhabi mosques, 14 orphanages, and 24 elementary schools all sponsored by the Wahhabi network. The situation in Albania is similar where the religious leader is a disciple of the Wahhabi's of Saudi Arabia.

Source:

1. <http://bnp.org.uk/category/news/serbia-kosovo/>

a. Images depicting destroyed Churches in Kosovo: <http://www.interfax-religion.com/kosovo/#kosovo>

b. RADIO FREE EUROPE Research, RAD Background Report/186 (Yugoslavia), 4 August 1983

EMIGRATION AND DEMOGRAPHY IN KOSOVO, By Steve Reiquam: <http://files.osa.ceu.hu/holdings/300/8/3/text/118-2-80.shtml>

c. Counter Punch Magazine, March 4, 2008.

Kosovo and the Press, By MIKE AVERKO: <http://www.counterpunch.org/averko03042008.html>

d. The Hamilton Spectator, February 25, 2008

Kosovo – A dangerous precedent, By Michael Biljetina: <http://www.thespec.com/Opinions/article/329935>

e. Arutz Sheva -Israel National News.com-, February 25 2008

Kosovo and Us, By Atty. Elyakim Haetzni: <http://www.israelnationalnews.com/Articles/Article.aspx/7790>

f. University of California, Berkeley-Departments of Anthropology and Demography- Anthropology Today 9 (1): 4-9, Feb 1993 Royal Anthropological Institute of Great Britain and Ireland Demography and the Origins of the Yugoslav Civil War, By E. A. Hammel: <http://www.demog.berkeley.edu/~gene/migr.html>

g. Videos of cultural genocide in Kosovo www.youtube.com/

Excerpts from "Albanian Nazi troops in WW2 Launched a Wide Spread Terror Against Kosovo Serbs"

By Carl Kosta Savich: <http://www.michaelsavage.com/kosovo-genocide.html>

Supplement: Demographic indicators for Kosovo

I. EMIGRATION AND DEMOGRAPHY IN KOSOVO, By Steve Reiquam

<http://files.osa.ceu.hu/holdings/300/8/3/text/118-2-80.shtml>

"498,000 (68.5%) in 1948; 647,000 (67.2%) in 1961; 916,000 (73.7%) in 1971; and 1,227,000 (77.5%) in 1981. (Albanian population) The Serbian population of Kosovo, in contrast, increased in only absolute terms (171,000, 189,000, 227,000, and 228,000 in 1948, 1953, 1961, and 1971, respectively), while initially stagnating and then declining in relative terms (23.6%, 23.5%, 23.6%, and 18.4%). By 1981, however, there were 209,792 Serbs in Kosovo, comprising only 13.2% of the total population. Therefore, between 1971 and 1981, the number of Serbs in Kosovo decreased by 18,472 in absolute terms." "The Montenegrin population of Kosovo increased during the first three censuses after World War II (28,000, 31,000, and 37,000 in 1948, 1951, and 1961, respectively), while in 1971 and 1981 their total population dropped first to 31,500 in 1971 and then to 26,000 in 1981. In 1981 the Montenegrins accounted for only 1.7% of the total Kosovo population. The pressure exerted on Serbs and Montenegrins by Albanians, including "many cases of physical attack, attempted rape, damage to crops, [and the] desecration of Serbian monuments and gravestones," has created a tense atmosphere conducive to Slav emigration from the area."

II. http://www.vor.ru/Kosovo/history_eng.html

"Kosovo was annexed to Serbia after the Balkan war of 1912-1913 when the number of Serbs and Albanians was nearly equal. Albanians began to arrive in Kosovo in great numbers during the Second World War after the province was occupied by the Nazis. Thousands of Serbs and Montenegrins were forced to leave Kosovo while Albanians came to settle there from Albania."

<http://48.134.11.570plusf64:W0swdtr416413867193XA>

III. <http://www.eng.globalaffairs.ru/numbers/20/1132.html>

"Before WWII, there were approximately an equal number of Serbs and Albanians living in Kosovo"

IV) <http://www.washingtonpost.com/wp-srv/inatl/longterm/balkans/overview/kosovo.htm>

"By the time the Serbs reclaimed Kosovo in the Balkans Wars of 1912 to 1913, ethnic Albanians made up a significant portion of the population. They became a majority by the 1950s as their birth rate boomed and Serbs continued to migrate north"

2. <http://www.interfax-religion.com/kosovo/#kosovo>

3. <http://iseef.net/latest/wahhabism-in-bih-1.html>

1.28 Palestine for the Syrians?

By Daniel Pipes

The terms; Palestine and Palestinians are Islamic imperialist phenomenon. There is no such thing as a Palestinian people. Before 1948, they were referred to as Syrians. There was only Syria. The Palestinian phenomenon was created with the intention to justify Jihad.

During a meeting with leaders of the Palestine Liberation Organisation (PLO) in 1976, Syrian President Hafiz al-Asad referred to Palestine as a region of Syria, as Southern Syria. He then went on to tell the Palestinians: "You do not represent Palestine as much as we do. Do not forget one thing: there is no Palestinian people, no Palestinian entity, there is only Syria! You are an integral part of the Syrian people and Palestine is an integral part of Syria. Therefore it is we, the Syrian authorities, who are the real representatives of the Palestinian people."

Although unusually candid, this outburst exemplifies a long tradition of Syrian politics, and one that has gained increasing importance in recent years. The Asad government presents itself as not just an Arab state protecting the rights of the Palestinians but as the rightful ruler of the land that Israel controls. According to this view, the existing republic of Syria is but a truncated part of the Syrian lands; accordingly, the government in Damascus has a duty to unite all Syrian regions, including Palestine, under its control.

The growth in Syrian military capabilities in recent years makes these ambitions a major source of instability throughout the Levant. Indeed, the Syrian claim to "Southern Syria" has become central to the Arab-Israeli conflict; Syrian has become not only Israel's principal opponent, but also the PLO's. Damascus is likely to retain this role for many years, certainly as long as Hafiz al-Asad lives, and probably longer.

When Asad uses the term Southern Syria, he implicitly harks back to the old meaning of the name "Syria." Historically, "Syria" (Suriya or Sham in Arabic) refers to a region far larger than the Syrian Arab Republic of today. At a minimum, historic Syria stretches from Anatolia to Egypt, and from Iraq to the Mediterranean Sea. In terms of today's political geography, it comprises all of four states-Syria, Jordan, Israel, and Lebanon-as well as the West Bank, the Gaza Strip, and substantial portions of south-eastern Turkey. To distinguish this territory from the present Syrian state, it is known as Greater Syria.

Until 1920, Syria meant Greater Syria to everyone, European and Middle Easterner alike; For example, an early nineteenth-century Egyptian historian, 'Abd ar-Rahman al-Jabarti, referred to the inhabitants of El Arish in the Sinai Peninsula as Syrians. Palestine was called Southern Syria first in French, then in other languages, including Arabic. The 1840 Convention of London called the area around Akko "the southern part of Syria" and the 11th edition of the Encyclopaedia Britannica (published in 1911) explains that Palestine "may be said generally to denote the southern third of the province of Syria." These examples could be multiplied a thousand-fold.

Creating a separate Palestinian state is as ridiculous as creating a separate state called Kosovo. There are only two rightful claimants of Kosovo. Albania and Serbia. Just like Syria and Israel in the Palestinian conflict.

Source:

<http://www.danielpipes.org/article/174>

1.29 Overview – Historical acts of high treason by European Governments

Self interest and treason

It's apparent that nations who act in accordance with their own short term goals alone show no consideration for historical perspectives.

Where there should be a joint anti-Jihad action by the affected nations there is no action, no consultation, no planning, just short term self interest.

Historical examples

- Europe's refusal to aid Christian protectorates in the Middle East.
- Europe's refusal to aid the Christian Byzantine Empire against the Jihadi invasions.
- The Venetians refusal to side with the Serbians against the Ottoman invasions (Svemirko's note).
- Napoleon invades Egypt in 1798 and takes control over Christian Malta and Christian Palestine. However, Britain fights France defending the Ottomans. Napoleon withdraws, the Turks regain Egypt, and Britain is rewarded with Malta.
- The Ottomans lose more lands from their crumbling Empire. During the series of wars between 1806 and 1812, the Russians crush the Ottomans, who sign the Treaty of Bucharest. One day after the Treaty, Napoleon attacks Russia.
- In 1854 Britain and France along with the Ottomans go to war against Russia in the Crimean Peninsula. The allied forces defeat Russia and impose heavy conditions in the Treaty of Paris, signed in 1856.
- Bosnia revolts against the taxation in 1875 and Bulgaria follows in 1876 to become free from the Ottomans. The Turks ruthlessly massacre more than 12 000 men, women and children in Bulgaria, and thousands more all over the Balkans. The Treaty of Kucuk Kaynarca of 1774 gave Russia the right to interfere in Ottoman affairs to protect the Sultan's Christian subjects. The British Government defends the Ottoman actions, and a furious Russia declares war. The war of 1877-78 takes place in the Balkans and on the Caucasus fronts. The Russians along with other volunteer ethnic armies deal the Ottomans a crushing defeat.
- In March of 1878 and under pressure from Britain, Russia enters into a settlement under the Treaty of San Stefano, in which the Ottoman Empire recognises the independence of Romania, Serbia, Montenegro, and autonomy of Bulgaria.
- For commercial and political interests in mind, Britain's Disraeli and the Austrians insist that a new treaty be drawn up in June of that year, at a congress of powers in Berlin.

At the Congress of Berlin, Romania, Serbia and Montenegro were recognised as independent. And autonomous Bulgaria was greatly reduced and the Austro-Hungarian Empire occupies Bosnia-Herzegovina. An Armenian delegation headed by Bishop Mkrtich Khrimian is sent with a formal request for implementation of the reforms for Armenians. Germany's Bismarck dismisses the delegation and refuses them a place on the agenda.

Britain secretly agrees with the Ottoman Empire that it would militarily protect it from Russia and receives Cyprus in exchange.

Disraeli reverses article 16 to 61, which returns two Armenian provinces with no Russians or Europeans to protect the Armenians. It leaves the same abusing Sultan as the "guarantor" of their security from Muslim continuing abuses.

- After the Russo-Turkish War, the treatment of the more than 2,5 million Armenians by the Ottoman Government became an international issue. Despite the promises of reform by the Sublime Porte at the Congress of Berlin, the situation even grew worse.

- 1945-> After the war the Soviet Union attempts to annul the Treaty of Kars with Turkey and return parts of Northwestern Armenia. These efforts are halted by intervention from Winston Churchill and Harry S. Truman.

- The close relationship with the United States begins with the Second Cairo Conference in December 4-6, 1943 and the agreement of July 12, 1947 which implements the Truman Doctrine. After 1945, in light of the Soviet domination over Eastern Europe, the US supports Greece and Turkey with economic and military aid to prevent their falling into the Soviet sphere. The act grant Turkey more than 100 million USD in aid.

- On June 25, 1950 the Korean War starts. Despite being criticised inside Turkey, the Army along with other 16 nations goes to war against North Korea. Turkey participates in this campaign in order to gain membership in NATO, which Turkey joins in 1952.

The Bulgarian- Turkish Plot

Bulgaria, half Turkish itself, entered into the plot to exterminate the Greek Christians, by signing a pact with Turkey, at Adrianople in June, 1915. Under this agreement Bulgaria consented to the establishment of a Turco-Bulgar commercial union as the complement of the political union, the seizure of the commerce of the Orient from the hands of the Greeks, (3) the establishment in the Orient of Moslem agencies for the importation and exportation of goods for the exclusive use of Moslems, who were to break of all commercial relations with the Greeks, a restriction of the privileges of the Greek Patriarch and his ecclesiastical jurisdiction, the prohibition of the teaching of Greek in future, (6) **the conversion by force of the people in the Christian settlements and the imposition of mixed marriages.**

Germany the Author of the Massacres

Herr Lepsius, a German Envoy who had been sent to Constantinople on a special mission in July, 1915, acknowledged that the Greek and Armenian massacres were two phases of a single program of extermination of the Christian elements, intended to make Turkey a purely Moslem state.

That Germany was the author and inspiration of these massacres of Christians became known in 1917. The Greek Minister at Constantinople, M. Kallerghis, had protested the Turkish Grand Vizier, Talaat Bey, against the deportations of the Greeks in the Aival district. Talaat Bey promised to telegraph to the German General Liman von Sanders, telling him to cease the deportations. Von Sanders, who was in fact Commander-in-Chief of all the Turkish forces, replied that if the deportations ceased, he would not guarantee the safety of the Turkish Army, adding that they had referred the matter to the German Grand Headquarters Staff, who entirely approved of his action.

France supporting the Ottoman Empire

France sided with Islam in the 16 and 17 centuries when they actively helped the Ottoman Empire against Spain and Austria. Examples of this: Kheir-ad-Din Barbarossa harboured his fleet in Marseilles. Most notably the French did not go to help Vienna against the Ottomans in 1683, but launched a military campaign of conquest in German lands.

More recent and ongoing acts of treason

- Europe's (especially France's) refusal to aid Christian Lebanon militarily against Middle Eastern Jihad.
- Europe's refusal to aid Christian Sudan, Nigeria etc. militarily against African Jihad.
- Implementation of the EU's Eurabia project (European multiculturalism)
- NATO bombing of Serb forces in 1999.
- Support to the Global Islamic Ummah (Palestinians) etc.
- Europe's unwillingness to assist their Christian cousins in a range of conflicts; Middle East, Asia, Africa.
- Europe's unwillingness to assist fellow Europeans in South Africa, Rhodesia and other ex-colonies 3060 (probably close to 10 000+) European South Africans have been massacred since the old regime fell.
- The US pressure for Turkey's EU membership.
- The granting of NATO membership to Albania in 2009.
- US and EU export of modern weapons to Muslim countries; Pakistan, Saudi-Arabia, Iraq, UAE, Kuwait, Egypt, Jordan, Bahrain, Oman, Morocco, Yemen and Tunisia.

1.30 Further studies

The Jihad and Islamisation of Sindh (Pakistan)

Muhammad bin Qasim Al-Thaqafi (695–715), born Muhammad bin Qasim bin Yusuf Sakifi, was a Syrian general who conquered the Sindh and Punjab regions along the Indus river (now a part of Pakistan). The conquest of Sindh and Punjab began the Islamic era in South Asia and continues to lend the Sindh province of Pakistan the name *Bab-e-Islam* (The Gateway of Islam)

http://en.wikipedia.org/wiki/Muhammad_bin_Qasim

Great database/resources/investigation into the crimes of communism:

Original link (Spanish): www.alerta360.org

English translation through Google translator:

http://translate.google.com/translate?js=y&prev=_t&hl=en&ie=UTF-8&layout=1&eotf=1&u=http%3A%2F%2Fwww.alerta360.org%2F&sl=es&tl=en

Knights Templar studies

Resources

There are a great number of books in print relating to the Templars, past Crusades and medieval history. A majority are historical publications are based on archaeological and chronicled evidence. Many of these publications are available through the Freemasons libraries worldwide while others can be acquired through Amazon.com.

Although a majority of modern chivalric organisations function mostly as symbolic charities they are renowned for their thorough studies of historical works.

Places of interest

I would strongly advice all Justiciar Knights to visit Valetta, Malta and Jerusalem, Israel and to visit all the Knights Templar historical sites. There are various Templar buildings in several European countries; France the UK, Portugal, Spain, Italy etc.

2. Europe Burning (Book 2)

In this book we review and analyse Europe's current problems. We will also look at possible solutions

"You shall know the truth and the truth shall make you mad."

Aldous Huxley

2.1 EU's Eurabia Project (The Eurabia Code) - Documenting EU's deliberate strategy to Islamise Europe

EU's Eurabia Project - Documenting the EU's deliberate strategy to gradually Islamise Europe. The Eurabia Code is a developed work of what Bat Ye'or' started in her groundbreaking book Eurabia: The Euro-Arab Axis.

Eurabia: Arab League states, current and prospective European Union members and Israel.

By Fjordman

I decided to write this essay after a comment from a journalist, not a Leftist by my country's standards, who dismissed Eurabia as merely a conspiracy theory, one on a par with The Protocols of the Elders of Zion. I do not disagree with the fact that conspiracy theories exist, nor that they can be dangerous. After all, the Protocols and the Dolchstosslegende, or "stab in the back myth" - the idea that Germany didn't lose WW1 but was betrayed by Socialists, intellectuals and Jews - helped pave the way for Adolf Hitler and the Nazis before WW2.



However, what puzzles me is that it is a widely-held belief of many (not just in the Islamic world but in Europe and even in the United States) that the terror attacks that brought down the Twin Towers in New York City on September 11th 2001 were really a controlled demolition staged by the American government and then blamed on Muslims. I have seen this thesis talked about many times in Western media. While it is frequently (though not always) dismissed and mocked, it is least mentioned.

In contrast, Eurabia - which asserts that the Islamisation of Europe didn't happen merely by accident but with the active participation of European political leaders - is hardly ever referred to at all, despite the fact that it is easier to document. Does the notion of Eurabia hit too close to home? Perhaps it doesn't fit with the anti-American disposition of many journalists? Curiously enough, even those left-leaning journalists who are otherwise critical of the European Union because of its free market elements never write about Eurabia.

Because of this, I am going to test whether the Eurabia thesis is correct, or at least plausible. I have called this project The Eurabia Code, alluding to author Dan Brown's

massive bestseller *The Da Vinci Code*. Brown's fictional account "documents" a conspiracy by the Church to cover up the truth about Jesus. I'm not sure my work will become equally popular, but I'm pretty sure it's closer to reality. The next time Mr. Brown wants to write about massive conspiracies in Europe, he would be well-advised to set his eyes at Brussels rather than Rome. It would be a whole lot more interesting.

What follows is a brief outline of the thesis put forward by writer Bat Ye'or in her book *Eurabia: The Euro-Arab Axis*. My information is based on her book (which should be read in full). In addition I have drawn from some of her articles and interviews. I republish the information with her blessing, but this summary is completely my own.

In an interview with Israeli newspaper Haaretz, Bat Ye'or explained how French President Charles de Gaulle, disappointed by the loss of the French colonies in Africa and the Middle East as well as with France's waning influence in the international arena, decided in the 1960's to create a strategic alliance with the Arab and Muslim world to compete with the dominance of the United States and the Soviet Union.

"This is a matter of a total transformation of Europe, which is the result of an intentional policy," said Bat Ye'or. "We are now heading towards a total change in Europe, which will be more and more Islamicised and will become a political satellite of the Arab and Muslim world. The European leaders have decided on an alliance with the Arab world, through which they have committed to accept the Arab and Muslim approach toward the United States and Israel. This is not only with respect to foreign policy, but also on issues engaging European society from within, such as immigration, the integration of the immigrants and the idea that Islam is part of Europe."

"Europe is under a constant threat of terror. Terror is a way of applying pressure on the European countries to surrender constantly to the Arab representatives' demands. They demand, for example, that Europe always speak out for the Palestinians and against Israel."

Thus, the Eurabian project became an enlarged vision of the anti-American Gaullist policy dependent upon the formation of a Euro-Arab entity hostile to American influence. It facilitated European ambitions to maintain important spheres of influence in the former European colonies, while opening huge markets for European products in the Arab world, especially in oil-producing countries, in order to secure supplies of petroleum and natural gas to Europe. In addition, it would make the Mediterranean a Euro-Arab inland sea by favoring Muslim immigration and promoting multiculturalism with a strong Islamic presence in Europe.

The use of the term "Eurabia" was first introduced in the mid-1970s, as the title of a journal edited by the President of the Association for Franco-Arab Solidarity, Lucien Bitterlein, and published collaboratively by the Groupe d'Etudes sur le Moyen-Orient (Geneva), France-Pays Arabes (Paris), and the Middle East International (London). Their articles called for common Euro-Arab positions at every level. These concrete proposals were not the musings of isolated theorists; instead they put forth concrete policy decisions conceived in conjunction with, and actualised by, European state leaders and European Parliamentarians.

During a November 27, 1967 press conference, Charles de Gaulle stated openly that French cooperation with the Arab world had become "the fundamental basis of our foreign policy." By January 1969, the Second International Conference in Support of the Arab Peoples, held in Cairo, in its resolution 15, decided "...to form special parliamentary groups, where they did not exist, and to use the parliamentary platform support of the Arab people and the Palestinian resistance." Five years later in Paris, July 1974, the Parliamentary Association for Euro-Arab Cooperation was created, under the Euro-Arab Dialogue rubric.

Bat Ye'or has highlighted this shared Euro-Arab political agenda. The first step was the construction of a common foreign policy. France was the driving force in this unification, which had already been envisaged by General de Gaulle's inner circle and Arab politicians.

The Arab states demanded from Europe access to Western science and technology, European political independence from the United States, European pressure on the United States to align with their Arab policy and demonisation of Israel as a threat to world peace, as well as measures favorable to Arab immigration and dissemination of Islamic culture in Europe. This cooperation would also included recognition of the Palestinians as a distinct people and the PLO and its leader Arafat as their representative. Up to 1973 they had been known only as Arab refugees, even by other Arabs. The concept of a Palestinian "nation" simply did not exist.

During the 1973 oil crisis, the Arab members of the Organisation of Petroleum Exporting Countries announced that, due to the ongoing Yom Kippur War between Israel and its Arab neighbours Egypt and Syria, OPEC would no longer ship petroleum to Western nations that supported Israel. The sudden increase in oil prices was had lasting effects. Not only did it create a strong influx of petrodollars to countries such as Saudi Arabia, which permitted the Saudis to fund a worldwide Islamic resurgence, but it also had an impact in the West, especially in Europe.

However, Arab leaders had to sell their oil. Their people are very dependent on European economic and technological aid. The Americans made this point during the oil embargo in 1973. According to Ye'or, although the oil factor certainly helped cement the Euro-Arab Dialogue, it was primarily a pretext to cover up a policy that emerged in France before that crisis occurred. The policy, conceived in the 1960s, had strong antecedents in the French 19th-century dream of governing an Arab empire.

This political agenda has been reinforced by the deliberate cultural transformation of Europe. Euro-Arab Dialogue Symposia conducted in Venice (1977) and Hamburg (1983) included recommendations that have been successfully implemented. These recommendations were accompanied by a deliberate, privileged influx of Arab and other Muslim immigrants into Europe in enormous numbers.

The recommendations included:

- 1.** Coordination of the efforts made by the Arab countries to spread the Arabic language and culture in Europe,
- 2.** Creation of joint Euro-Arab Cultural Centers in European capitals,
- 3.** The necessity of supplying European institutions and universities with Arab teachers specialised in teaching Arabic to Europeans, and
- 4.** The necessity of cooperation between European and Arab specialists in order to present a positive picture of Arab-Islamic civilisation and contemporary Arab issues to the educated public in Europe.

These agreements could not be set forth in written documents and treaties due to their politically sensitive and fundamentally undemocratic nature. The European leaders thus carefully chose to call their ideas "dialogue." All meetings, committees and working groups included representatives from European Community nations and the European Council along with members from Arab countries and the Arab League. Proceedings and decisions took place in closed sessions. No official minutes were recorded.

The Euro-Arab Dialogue (EAD) is a political, economic and cultural institution designed to ensure perfect cohesion between Europeans and Arabs. Its structure was set up at conferences in Copenhagen (15 December 1973), and Paris (31 July 1974). The principal agent of this policy is the European Parliamentary Association for Euro-Arab Cooperation, founded in 1974. The other principal organs of The Dialogue are the MEDEA Institute and the European Institute of Research on Mediterranean and Euro-Arab Cooperation, created in 1995 with the backing of the European Commission.

In an interview with Jamie Glazov of Frontpage Magazine, Ye'or explained how "in domestic policy, the EAD established a close cooperation between the Arab and European media television, radio, journalists, publishing houses, academia, cultural centers, school textbooks, student and youth associations, tourism. Church interfaith dialogues were determinant in the development of this policy. Eurabia is therefore this strong Euro-Arab network of associations - a comprehensive symbiosis with cooperation and partnership on policy, economy, demography and culture."

Eurabia's driving force, the Parliamentary Association for Euro-Arab Cooperation, was created in Paris in 1974. It now has over six hundred members - from all major European political parties - active in their own national parliaments, as well as in the European parliament. France continues to be the key protagonist of this association.

A wide-ranging policy was sketched out. It entailed a symbiosis of Europe with the Muslim Arab countries that would endow Europe - and especially France, the project's prime mover - with a weight and a prestige to rival that of the United States. This policy was undertaken quite discreetly, and well outside of official treaties, using the innocent-sounding name of the Euro-Arab Dialogue. The organisation functioned under the auspices of European government ministers, working in close association with their Arab counterparts, and with the representatives of the European Commission and the Arab League. The goal was the creation of a pan-Mediterranean entity, permitting the free circulation both of men and of goods.

On the cultural front there began a complete re-writing of history, which was first undertaken during the 1970s in European universities. This process was ratified by the parliamentary assembly of the Council of Europe in September 1991, at its meeting devoted to "The Contribution of the Islamic Civilisation to European culture." It was reaffirmed by French President Jacques Chirac in his address of April 8, 1996 in Cairo, and reinforced by Romano Prodi, president of the powerful European Commission, the EU's "government," and later Italian Prime Minister, through the creation of a Foundation on the Dialogue of Cultures and Civilisations. This foundation was to control everything said, written and taught about Islam in Europe.

Over the past three decades, the EEC and the EU's political and cultural organisations have invented a fantasy Islamic civilisation and history. The historical record of violations of basic human rights for all non-Muslims and women under sharia (Islamic Law) is either ignored or dismissed. In this worldview the only dangers come from the United States and Israel. The creators of Eurabia have conducted a successful propaganda campaign against these two countries in the European media. This fabrication was made easier by pre-existing currents of anti-Semitism and anti-Americanism in parts of Europe, although both sentiments have been greatly inflated by Eurabians and their collaborators.

On January 31, 2001, with the recrudescence of Palestinian terrorist jihad, European Foreign Affairs Commissioner Chris Patten declared to the European Parliament that Europe's foreign policy should give special attention to its southern flank (the Arab countries, in EU jargon), adding that he was delighted by the general agreement to give greater visibility to the Mediterranean Partnership.

Bat Ye'or thinks that "Our politicians are perfectly informed of Islamic history and current policies by their embassies, agents and specialists. There is no innocence there, but tremendous inflexibility in corruption, cynicism and the perversion of values."

In the preface to her book, she states that "This book describes Europe's evolution from a Judeo-Christian civilisation, with important post-Enlightenment secular elements, into a post- Judeo-Christian civilisation that is subservient to the ideology of jihad and the Islamic powers."

The new European civilisation in the making can correctly be termed a "civilisation of dhimmitude." The word dhimmitude comes from the Koranic word "dhimmi." It refers to the subjugated, non-Muslim individuals who accept restrictive and humiliating subordination to Islamic power in order to avoid enslavement or death. The entire Muslim world as we know it today is a product of this 1,300 year-old jihad dynamic, whereby once thriving non-Muslim majority civilisations have been reduced to a state of dysfunction and dhimmitude. The dhimmis are inferior beings who endure humiliation and aggression in silence. This arrangement allows Muslims to enjoy an impunity that increases both their hatred and their feeling of superiority, under the protection of the law.

Eurabia is a novel new entity. It possesses political, economic, religious, cultural, and media components, which are imposed on Europe by powerful governmental lobbies. While Europeans live within Eurabia's constraints, outside of a somewhat confused awareness, few are really conscious of them on a daily basis.

This Eurabian policy, expressed in obscure wording, is conducted at the highest political levels and coordinated over the whole of the European Union. It spreads an anti-American and anti-Semitic Euro-Arab sub-culture into the fiber of every social, media and cultural sector. Dissidents are silenced or boycotted. Sometimes they are fired from their jobs, victims of a totalitarian "correctness" imposed mainly by the academic, media and political sectors.

According to Ye'or, France and the rest of Western Europe can no longer change their policy: "It is a project that was conceived, planned and pursued consistently through immigration policy, propaganda, church support, economic associations and aid, cultural, media and academic collaboration. Generations grew up within this political framework; they were educated and conditioned to support it and go along with it."

Are Bat Ye'or's claims correct, or even possible?

Bernard Lewis has pointed out that, by common consent among historians, "the modern history of the Middle East begins in the year 1798, when the French Revolution arrived in Egypt in the form of a small expeditionary force led by a young general called Napoleon Bonaparte-who conquered and then ruled it for a while with appalling ease."

In an unsuccessful effort to gain the support of the Egyptian populace, Napoleon issued [1] proclamations praising Islam. "People of Egypt," he proclaimed upon his entry to Alexandria in 1798, "You will be told that I have come to destroy your religion; do not believe it! Reply that I have come to restore your rights, to punish the usurpers, and that more than the Mamluks, I respect God, his Prophet, and the Qur'an."

According to an eyewitness, Napoleon ended his proclamation with the phrase, "God is great and Muhammad is his prophet." To Muslim ears, this sounded like the shahada - the declaration of belief in the oneness of Allah and in Prophet Muhammad as his last

messenger. Recitation of the shahadah, the first of the five pillars of Islam, is considered to mark one's conversion to Islam. Muslims could thus conclude that Napoleon had converted to Islam [2]. In fact, one of his generals, Jacques Ménéou, did convert to Islam.

The French were later defeated and forced to leave Egypt by the English admiral Lord Nelson. Although the French expedition to Egypt lasted only three years, it demonstrated that the West was now so superior to the Islamic world that Westerners could enter the Arab heartland, then still a part of the Ottoman Empire, at will. Only another Western power could force them to leave. The shock of this realisation triggered the first attempts to reform Islam in the 19th century.

A positive result of Western conquest was the influx of French scientists into Egypt and the foundation of modern Egyptology. Most importantly, it led to the discovery of the Rosetta Stone, which was later used by French philologist Jean-François Champollion to decipher the ancient Egyptian hieroglyphs. However, the encounter also left a lasting impact in Europe, and above all in France.

The French invasion of Algeria in 1830 marked another chapter in this tale. Later, the French ruled Tunisia and Morocco. Finally, after the First World War, the French gained mandates over the former Turkish territories of the Ottoman Empire that make up what is now Syria and Lebanon. After the Second World War, French troops gradually left Arab lands, culminating with war and Algerian independence in 1962. However, their long relationship with Arabs resulted in France's belief that she had a special relationship with and an understanding of Arabs and Muslims. Along with French leadership in continental Europe, this would now provide the basis of a new foreign policy.

President de Gaulle pushed for a France and a Europe independent of the two superpowers. In a speech, he stated that "Yes, it is Europe, from the Atlantic to the Urals, it is Europe, it is the whole of Europe, that will decide the destiny of the world." In 1966, he withdrew France from the common NATO military command, but remained within the organisation.

Following the Six Days War in 1967, de Gaulle's condemnation of the Israelis for their occupation of the West Bank and the Gaza Strip marked a significant change in French foreign policy. Previously, France - as well as the rest of Western Europe - had been strongly pro-Israel, even going to war together with Israel as late as 1956 against Nasser's Egypt. From 1967 on, however, France embarked on a decidedly pro-Arab course.

It has been said that English foreign policy has remained the same since the 16th century. Its goal was to prevent any country, whether Spain, France, or later Germany, from dominating continental Europe to the extent that it represents a threat to England. On the other hand, one could argue that French foreign policy has also remained the same for several centuries; its goal is to champion French leadership over Europe and the Mediterranean region in order to contain Anglo-Saxon (and later Anglo-American) dominance. This picture was complicated by the unification of Germany in the late 19th century, but its outlines remain to this day.

Napoleon is the great hero of French PM de Villepin. Several prominent French leaders stated quite openly in 2005 that the proposed EU Constitution was basically an enlarged France. Justice Minister Dominique Perben said: "We have finally obtained this 'Europe à la française' that we have awaited for so long. This constitutional treaty is an enlarged France. It is a Europe written in French."

From its inception, European integration has been [3] a French-led enterprise. The fact that the French political elite have never renounced the maintenance of their leadership over Europe was amply demonstrated during the Iraq war. President Chirac famously

said in 2003 after Poland, Hungary and the Czech Republic backed the US position "They missed a good opportunity to shut up," adding "These countries have been not very well behaved and rather reckless of the danger of aligning themselves too rapidly with the American position."

Jean Monnet, French economist never elected to public office, is regarded by many as the architect of European integration. Monnet was a well-connected pragmatist who worked behind the scenes towards the gradual creation of European unity.

Richard North, publisher of the blog EU Referendum [4] and co-author (with Christopher Booker) of *The Great Deception: Can The European Union Survive*, relates that for years - at least from the 1920s - Jean Monnet had dreamed of building a "United States of Europe." Although what Monnet really had in mind was the creation of a European entity with all the attributes of a state, an "anodyne phrasing was deliberately chosen with a view to making it difficult to dilute by converting it into just another intergovernmental body. It was also couched in this fashion so that it would not scare off national governments by emphasising that its purpose was to override their sovereignty."

In their analysis of the EU's history, the authors claim that the EU was not born out of WW2, as many people seem to think. It had been planned at least a generation before that.

The Schuman Declaration of 9 May 1950, widely presented as the beginning of the efforts towards a European Union and commemorated in "Europe Day," contains phrases which state that it is "a first step in the federation of Europe", and that "this proposal will lead to the realisation of the first concrete foundation of a European federation." However, as critics of the EU have noted, these political objectives are usually omitted when the Declaration is referred to, and most people are unaware of their existence.

A federation is, of course, a State and "yet for decades now the champions of EC/EU integration have been swearing blind that they have no knowledge of any such plans. The EEC/EC/EU has steadily acquired ever more features of a supranational Federation: flag, anthem, Parliament, Supreme Court, currency, laws."

The EU founders "were careful only to show their citizens the benign features of their project. It had been designed to be implemented incrementally, as an ongoing process, so that no single phase of the project would arouse sufficient opposition as to stop or derail it."

Booker and North call the European Union "a slow-motion coup d'état: the most spectacular coup d'état in history," designed to gradually and carefully sideline the democratic process and subdue the older nation states of Europe without saying so publicly.

The irony is that France is now held hostage [5] by the very forces she herself set in motion. The Jihad riots by Muslim immigrants in France in 2005 demonstrated that Eurabia is no longer a matter of French foreign policy, it is now French domestic policy. France will burn unless she continues to appease Arabs and agree to their agenda.

The growth of the Islamic population is explosive. According to some, one out of three babies born in France is a Muslim. Hundreds of Muslim ghettos already de facto follow sharia, not French law. Some believe France will quietly become a Muslim country, while others are predicting a civil war in the near future.

Maybe there is some poetic justice in the fact that the country that initiated and has led the formation of Eurabia will now be destroyed by its own Frankenstein monster. However, gloating over France's dilemma won't help. The impending downfall of France is

bad news for the rest of the West. What will happen to French financial resources? Above all, who will inherit hundreds of nuclear warheads? Will these weapons fall into the hands of Jihadist Muslims, too?

MEDEA (the European Institute for Research on Mediterranean and Euro-Arab Cooperation), supported by the European Commission, is one of the key components of the Euro-Arab dialogue. On its own webpage, it states that:

"The Euro-Arab Dialogue as a forum shared by the European Community and the League of Arab States arose out of a French initiative and was launched at the European Council in Copenhagen in December 1973, shortly after the "October War" and the oil embargo. As the Europeans saw it, it was to be a forum to discuss economic affairs, whereas the Arab side saw it rather as one to discuss political affairs.

MEDEA Institute wishes to be a resource and a reference point for people wanting to engage in the Euro-Mediterranean dialogue. Via its meetings and talks the Institute seeks to create exchanges between political, economic, and diplomatic players, experts, journalists, academics and others."

As Bat Ye'or points out, while most of the workings of Eurabia are hidden from the public view, sometimes we can catch glimpses of it if we know what to look for. If you search the archives of the MEDEA website and other sources and read the documents carefully, the information is there. Even more material exists on paper, both in French and in English. I argue, as does Bat Ye'or, that there are sufficient amounts of information available to validate the thesis of Eurabia.

One of the documents Bat Ye'or was kind enough to send me (which she mentions in the French version of her book about Eurabia but not in the English version) is the Common Strategy of the European Council - Vision of the EU for the Mediterranean Region, from June 19th 2000.

It includes many recommendations, such as:

"to elaborate partnership-building measures, notably by promoting regular consultations and exchanges of information with its Mediterranean partners, support the interconnection of infrastructure between Mediterranean partners, and between them and the EU, take all necessary measures to facilitate and encourage the involvement of civil society as well as the further development of human exchanges between the EU and the Mediterranean partners. NGOs will be encouraged to participate in cooperation at bilateral and regional levels. Particular attention will be paid to the **media and universities** [my emphasis]."

It also includes the goal of assisting the Arab partners with "the process of achieving free trade with the EU." This may be less innocent than it sounds, as I will come back to later.

The Strategy also wants to "pursue, in order to fight intolerance, racism and xenophobia, the dialogue between cultures and civilisations." Notice that this statement preceded both the start of the second Palestinian intifada as well as the terror attacks of September 11th 2001. It was thus part of an ongoing process, rather than a response to any particular international incident.

One point in the document is particularly interesting. The EU wanted to "promote the identification of correspondences between legal systems of different inspirations in order to resolve civil law problems relating to individuals: laws of succession and family law, including divorce."

In plain English, it is difficult to see this bureaucratic obfuscation as anything other than an indicator that the EU countries will be lenient, adjusting their secular legislation to the sharia requirements of Muslim immigrants in family matters.

In another document from December 2003, which is available online, Javier Solana, the Secretary General of the Council of the European Union, Romano Prodi, President of the European Commission and Chris Patten, member of the European Commission, have signed a plan for "Strengthening the EU's Partnership with the Arab World."

This includes the creation of a free trade area, but also plans to "invigorate cultural/religious/civilisation and media dialogue using existing or planned instruments, including the planned Euro-Mediterranean Foundation for the Dialogue of Cultures and Civilisations.

Arab immigrants make a substantial contribution to the development of Europe. The EU is firmly committed to fight all manifestations of racism and discrimination in all its forms. [*What constitutes discrimination? Secular laws?*] Full respect for the rights of immigrants in Europe is a consistent policy throughout Europe. Its implementation should be improved further and co-operation in the framework of existing agreements should be enhanced to take into account the concerns of Arab partners."

Super-Eurocrat Romano Prodi wants more cooperation with Arab countries. He talks about a free trade zone with the Arab world, but this implies that Arab countries would enjoy access to the four freedoms of the EU's inner market, **which includes the free movement of people across national borders**. This fact, the potentially massive implications of establishing an "inner market" with an Arab world with a booming population growth, is virtually NEVER debated or even mentioned in European media. Yet it could mean the end of Europe as we once knew it.

Another statement [6] from the "Sixth Euro-Med Ministerial Conference: reinforcing and bringing the Partnership forward" in Brussels, 28 November 2003, makes the intention of this internal Euro-Mediterranean market:

"This initiative offers the EU's neighbouring partners, in exchange for tangible political and economic reforms, gradual integration into the expanded European internal market and the possibility of ultimately reaching the EU's four fundamental freedoms: free movement of goods, services, capital **and people** [*my emphasis*]. Ministers are also expected to back the Commission's proposal¹ to set up a Euro-Mediterranean Foundation for the Dialogue of Cultures, a Euro-Mediterranean Parliamentary Assembly."

In June 2006, then newly elected Italian Prime Minister Romano Prodi stated that [7]:

"It's time to look south and relaunch a new policy of cooperation for the Mediterranean." Prodi was outlining a joint Italian-Spanish initiative which sought to provide countries facing the Mediterranean with "different" political solutions from those offered in the Euro-Mediterranean partnership. The prime minister then explained that the Barcelona Process - whose best known aspect is the creation of a free trade zone by 2010 - was no longer sufficient and a new different approach was needed. "The countries on the southern shores of the Mediterranean expect that from us" he added.

Notice how Prodi, whom Bat Ye'or has identified as a particularly passionate Eurabian, referred to what the Arabs expected from European leaders. He failed to say whether or not there was great excitement among Europeans over the prospect of an even freer flow of migrants from Arab countries and Turkey, which is what will result from this "Euro-Mediterranean free trade zone."

During the Euro-Mediterranean mid-term Meeting of Ministers of Foreign Affairs in Dublin in May 2004 [8], the participants declared that:

"Work is now in progress to develop an agreed view on relations with the area which extends from Mauritania to Iran - the Mediterranean and the Middle East. The [European] Union has proposed to include Mediterranean partners in the European Neighbourhood Policy."

The EU can offer a more intensive political dialogue and greater access to EU programmes and policies, including their gradual participation in the four freedoms particularly the Single Market, as well as reinforced co-operation on justice and home affairs."

Again, exactly what does "co-operation on justice and home affairs" with Egypt, Syria and Algeria mean? I don't know, but I'm not sure whether I will like the answer.

The Barcelona declaration [9] from 1995 encouraged "contacts between parliamentarians" and invited the European Parliament, with other Parliaments, to launch "the Euro-Mediterranean parliamentary dialogue." In March 2004, this was converted into a specific institution called The Euro-Mediterranean Parliamentary Assembly, EMPA (pdf) [10]. During the Euro-Mediterranean Ministerial Conference in Crete in May 2003, the Ministers included a provision which envisaged the consultative role the Parliamentary Assembly will play within the framework of the Barcelona process.

EU Commissioner Chris Patten has reiterated the European Commission's readiness to co-operate fully with the Assembly, giving the Assembly the right to comment on any subject of interest to the Euro-Arab Dialogue.

The Assembly consists of 120 members from EU countries, both members of national parliaments and of the European Parliament, and an equal number of representatives from the Parliaments of the Mediterranean partner countries.

Like most Europeans, I hadn't even heard about this institution before coming across it during an Internet search. However, it is apparently going to influence the future of my entire continent. This set-up leaves me with some questions. When we know that these "Mediterranean partner countries" include non-democratic Arab countries such as Syria, isn't it disturbing that representatives from these countries should participate in a permanent institution with consultative powers over the internal affairs of the European Union? Especially when we know that our own, democratically elected national parliaments have already been reduced to the status of "consultation" with unelected federal EU lawmakers in Brussels?

The Algiers Declaration [11] for a Shared Vision of the Future was made after a Congress held in Algeria in February 2006. The document states that: "It is essential to create a Euro-Mediterranean entity founded on Universal Values" and that "It is crucial to positively emphasise all common cultural heritage, even if marginalised or forgotten." A Common Action Plan draws up a large number of recommendations on how to achieve this new Euro-Mediterranean entity. Among these recommendations are:

- Adapt existing organisations and the contents of media to the objectives of the North-South dialogue, and set up a Euro-Mediterranean journalism centre
- Set up a network jointly managed by the Mediterranean partners in order to develop "a harmonised education system" [*A "harmonised education system" between the Arab world and Europe? What does that include? Do I want to know? Will they tell us before it is a fait accompli?*]

- Facilitate the transfer of know-how between the EU countries and the Mediterranean partner nations and "encourage the circulation of individuals"
- Prepare action and arguments in support of facilitating the mobility of individuals, especially of students, intellectuals, artists, businessmen "and all conveyors of dialogue"
- Set up Ministries responsible for Mediterranean affairs in countries of the North and of the South [Europe and the Arab world, in Eurocrat newspeak], in order to benefit from a better management of Mediterranean policy;
- Train teachers and exchange students between the North and the South and set up a network of Euro-Mediterranean Youth clubs
- Establish a "civil watchdog" anti-defamation observatory (with an Internet tool and a legal help network), to cope with racist remarks and the propagation of hate towards people of different religion, nationality or ethnical background

These agreements, completely rewriting European history books to make them more Islam-friendly, and gradually silencing "Islamophobia" as racism, are being implemented even now.

Walter Schwimmer, the Austrian diplomat and Secretary General of the Council of Europe from 1999 to 2004, told foreign ministers at the Islamic conference in Istanbul (June 15th 2004) that the Islamic component is an integral part of Europe's diversity. He reaffirmed the commitment of the Council of Europe to work against Islamophobia, anti-Semitism and other forms of intolerance.

The Council was also actively involved in the co-organisation of a Conference on the Image of Arab-Islamic culture in European history textbooks, which took place in Cairo in December 2004. The event was held within the framework of the Euro-Arab Dialogue "Learning to Live together." [12] The aim of the conference was to examine negative stereotyping in the image of Arab-Islamic culture presented in existing history textbooks, and to discuss ways to overcome this stereotyping.

In the European Parliament, the German Christian Democrat Hans-Gert Pöttering [13] stated that school textbooks should be reviewed for intolerant depictions of Islam by experts overseen by the European Union and Islamic leaders. He said textbooks should be checked to ensure they promoted European values without propagating religious stereotypes or prejudice. He also suggested that the EU could co-operate with the 56-nation Organisation of the Islamic Conference to create a textbook review committee.

In June 2005 in Rabat [14], Morocco, a conference was held on "Fostering Dialogue among Cultures and Civilisations." The Conference was jointly organised by UNESCO, the Islamic Educational, Scientific and Cultural Organisation (ISESCO), the Organisation of the Islamic Conference (OIC), the Arab League Educational, Cultural and Scientific Organisation (ALECSO), the Danish Centre for Culture and Development (DCCD) and the Anna Lindh Euro-Mediterranean Foundation for the Dialogue between Cultures (Alexandria, Egypt).

Notice that this was months before the Danish Muhammad cartoons created havoc. It was not a reaction to this issue; rather it was a part of a sustained, ongoing process to promote the Arabic-Islamic culture in Europe.

Among the recommendations that were raised by Mr. Olaf Gerlach Hansen, Director General of the DCCD: "We are interested in new actions in the media, in culture and in education. These proposals include:

- Concrete initiatives to develop "intercultural competencies" in the training of new generations of journalists - Concrete initiatives for links and exchanges between journalists, editors, media-institutions, which encourage intercultural co-operation" - Concrete initiatives for curriculum development through new educational materials and revision of existing textbooks.

Although not stated directly, one may reasonably assume that among the "negative stereotypes" to be removed from the textbooks used to teach history to European schoolchildren are any and all references to the 1300 years of continuous Jihad warfare against Europe. These recommendations were accepted and incorporated into The Rabat Commitment [15].

According to Serge Trifkovic [16], "The present technological, cultural and financial strength of Europe is a façade that conceals a deep underlying moral and demographic weakness. The symptoms of the malaise are apparent in the unprecedented demographic collapse and in the loss of a sense of place and history that go hand-in-hand with the expansion of the European Union. The emerging transnational hyper-state is actively indoctrinating its subject-population into believing and accepting that the demographic shift in favor of Muslim aliens is actually a blessing."

He points out specifically the EU Parliamentary Assembly Recommendation N° 1162 (19 September 1991) on "the contribution of the Islamic civilisation to European culture." A decade later, in its General policy recommendation n° 5: "Combating intolerance and discrimination against Muslims," the European Commission against Racism and Intolerance emphasised "Islam's positive contribution to the continuing development of European societies, of which it is an integral part." It expressed strong regret "that Islam is sometimes portrayed inaccurately [as] a threat."

The ECRI called on the EU member states to adopt measures that would effectively outlaw any serious debate about Islam and introduce pro-Muslim "affirmative action." European countries should:

- Modify curricula to prevent "distorted interpretations of religious and cultural history" and "portrayal of Islam on perceptions of hostility and menace";
- Encourage debate in the media on the image which they convey of Islam and on their responsibility to avoid perpetuating prejudice and bias.

Trifkovic says "Cynically defeatist, self-absorbed and unaccountable to anyone but their own corrupt class, the Eurocrats are just as bad as jihad's fellow-travelers; they are its active abettors and facilitators."

Eurabians want to create a unity of the Mediterranean region. This desire is strikingly similar to the goals of some Islamic organisations.

The Muslim Brotherhood, regarded as the most important Islamic movement of the past century, was founded by Hassan al-Banna in 1928, inspired by contemporary European Fascists in addition to Islamic texts.

German historian Egon Flaig [17] quotes Banna as saying:

"We want the flag of Islam to fly over those lands again who were lucky enough to be ruled by Islam for a time, and hear the call of the muezzin praise God. Then the light of Islam

died out and they returned to disbelief. Andalusia, Sicily, the Balkans, Southern Italy and the Greek islands are all Islamic colonies which have to return to Islam's embrace. The Mediterranean and the Red Sea have to become internal seas of Islam, as they used to be."

Patrick Poole describes [18] how discussion of a document called "The Project" so far has been limited to the top-secret world of Western intelligence communities. Only through the work of an intrepid Swiss journalist, Sylvain Besson, has information regarding The Project finally been made public. It was found in a raid of a luxurious villa in Campione, Switzerland on November 7, 2001. The target of the raid was Youssef Nada, who has had active association with the Muslim Brotherhood for more than 50 years.

Included in the documents seized was a 14-page plan written in Arabic and dated December 1, 1982, which outlined a 12-point strategy to "establish an Islamic government on earth" - identified as The Project. According to testimony given to Swiss authorities by Nada, the unsigned document was prepared by "Islamic researchers" associated with the Muslim Brotherhood. It represents a flexible, multi-phased, long-term approach to the "cultural invasion" of the West.

The Project has served for more than two decades as the Muslim Brotherhood "master plan." Some of its recommendations include:

- Using deception to mask the intended goals of Islamist actions
- Building extensive social networks of schools, hospitals and charitable organisations
- Involving ideologically committed Muslims in institutions on all levels in the West, including government, NGOs, private organisations
- Instrumentally using existing Western institutions until they can be put into service of Islam
- Instituting alliances with Western "progressive" organisations that share similar goals

Included among this group of Muslim Brotherhood intellectuals is Youssef al-Qaradawi, an Egyptian-born, Qatar-based Islamist cleric. Both Sylvain Besson and Scott Burgess provide extensive comparisons between Qaradawi's publication, *Priorities of the Islamic Movement in the Coming Phase*, published in 1990, and *The Project*. They note the striking similarities in the language used and the plans and methods both documents advocate.

As Patrick Poole says, "What is startling is how effectively the Islamist plan for conquest outlined in *The Project* has been implemented by Muslims in the West for more than two decades."

Youssef al-Qaradawi, one of the most influential clerics in Sunni Islam, has predicted that "Islam will return to Europe as a conqueror [19] and victor," was an important figure during the Muhammad cartoons riots, whipping up anger [20] against Denmark and the West.

According to Dr. Rachel Ehrenfeld [21] and Alyssa A. Lappen, "Clearly, the riots in Denmark and throughout the world were not spontaneous, but planned and organised well in advance by Islamist organisations that support the MB, and with funding mostly from Saudi Arabia."

The current leader of the international Muslim Brotherhood, Mohammad Mahdi Akef, recently issued a new strategy calling on all its member organisations to serve its global

agenda of defeating the West. Akef has called the U.S. "a Satan." "I expect America to collapse soon," declaring, "I have complete faith that Islam will invade Europe and America."

Ehrenfeld and Lappen state that the Muslim Brotherhood and its offspring organisations employ the Flexibility strategy:

"This strategy calls for a minority group of Muslims to use all "legal" means to infiltrate majority-dominated, non-Muslim secular and religious institutions, starting with its universities. As a result, "Islamised" Muslim and non-Muslim university graduates enter the nation's workforce, including its government and civil service sectors, where they are poised to subvert law enforcement agencies, intelligence communities, military branches, foreign services, and financial institutions."

In the Middle East Quarterly, Lorenzo Vidino [22] writes about "The Muslim Brotherhood's Conquest of Europe."

According to him, "Since the early 1960s, Muslim Brotherhood members and sympathisers have moved to Europe and slowly but steadily established a wide and well-organised network of mosques, charities, and Islamic organisations."

One of the Muslim Brotherhood's first pioneers in Germany was Sa'id Ramadan, the personal secretary of Brotherhood founder Hassan al-Banna. The oil-rich kingdom of Saudi Arabia has granted an influx of money to the powerful Islamic Center of Geneva, Switzerland, run by Sa'id's son Hani Ramadan, brother of Tariq Ramadan. Hani Ramadan was made infamous by - among other things - a 2002 article in the French daily *Le Monde* defending the stoning of adulterers to death. Tariq Ramadan, a career "moderate Muslim," later called for a "moratorium" on stoning.

According to Vidino, "The ultimate irony is that Muslim Brotherhood founder Hassan al-Banna dreamed of spreading Islamism throughout Egypt and the Muslim world. He would have never dreamed that his vision might also become a reality in Europe."

Former Muslim Dr Patrick Sookhdeo [23] warns that the Islamicisation going on in European cities is not happening by chance. It "is the result of a careful and deliberate strategy by certain Muslim leaders which was planned in 1980 when the Islamic Council of Europe published a book called *Muslim Communities in Non-Muslim States*."

The instructions given in the book told Muslims to get together and organise themselves into viable Muslim communities. They should set up mosques, community centres and Islamic schools. At all costs they must avoid being assimilated by the majority, and to resist assimilation must group themselves geographically, forming areas of high Muslim concentration.

Douglas Farah [24] writes about the largely successful efforts by Islamic groups in the West to buy large amounts of real estate, territory that effectively becomes "Muslim" land once it is in the hands of Islamist groups. Some groups are signing agreements to guarantee that they will only sell the land to other Muslims.

The Brotherhood, particularly, is active in investments in properties and businesses across Europe, laying the groundwork for the future network that will be able to react rapidly and with great flexibility in case of another attempted crackdown on the group's financial structure. Most of the money comes from Saudi Arabia and Kuwait.

According to Farah, the governments of Europe and the United States continue to allow these groups to flourish and seek for the "moderate" elements that can be embraced as a counter-balance to the "radical" elements.

"We do not have a plan. They do. History shows that those that plan, anticipate and have a coherent strategy usually win. We are not winning."

In March 2006 [25], the two-day plenary session of the Euro-Mediterranean Parliamentary Assembly, held in Brussels approved a resolution which "condemned the offence" caused by the Danish cartoons of the prophet Muhammad as well "as the violence which their publication provoked." These MEPs and national MPs from the EU and Arab countries also urged governments to "ensure respect for religious beliefs and to encourage the values of tolerance, freedom and multiculturalism."

During the parliamentary assembly, Egyptian parliament speaker Ahmed Sorour insisted that the cartoons published in Denmark and other recent events showed the existence of a "cultural deficit." Jordanian MP Hashem al-Qaisi also condemned the cartoons, claiming that it is not sufficient to deplore the cartoons as these things might occur again in another country.

And European Parliament president Josep Borrell referred to the Mediterranean as "a concentrate of all the problems facing humanity." He said that after one year presiding over the assembly he "still did not fully understand the complexities of the Mediterranean."

Following the cartoons affair, EU foreign policy chief Javier Solana [26] had travelled to the Middle East and made joint statements with Islamic leaders that "freedom of the press entails responsibility and discretion and should respect the beliefs and tenets of all religions." Solana said that he had discussed means to ensure that "religious symbols can be protected." He held talks with Sheikh Mohammed Sayed Tantawi of Al Azhar University, the highest seat of learning in Sunni Islam, and Arab League Secretary-General Amr Moussa.

Solana also met with the leader of the Organisation of the Islamic Conference (OIC), Ekmeleddin Ihsanoglu. Following their discussion, Solana "expressed our sincere regret that religious feelings have been hurt", and vowed "to reach out... to make sure that people's hearts and minds are not hurt again."

Only a few years earlier, Mr. Solana, then Secretary General of NATO, in a speech [27] stated that "the root cause of conflicts in Europe and beyond can be traced directly to the absence of democracy and openness. The absence of the pressure valve of democratic discourse can lead these societies to explode into violence." The irony that he himself is now trying to curtail the democratic discourse in Europe through the promotion of Islamic censorship apparently did not occur to him.

Meanwhile, the tentacles of the vast, inflated EU bureaucracy insinuate themselves into regulations on every conceivable subject. Some of the examples of the bureaucracy are ridiculous; some are funny. But there is a sinister side to the European bureaucracy:

- The promotion of an official, "EU federal ideology" advocating multiculturalism;
- The denunciation as "xenophobes" of all those who want to preserve their democracy at the nation state level; and
- Calling those who would limit Third World immigration "racists."

A report from the EU's racism watchdog said that more must be done to combat racism and "Islamophobia." One method of accomplishing this is the promotion of a lexicon 28[]

which shuns purportedly offensive and culturally insensitive terms. This lexicon would set down guidelines for EU officials and politicians prohibiting what they may say. "Certainly 'Islamic terrorism' is something we will not use ... we talk about 'terrorists who abusively invoke Islam'," an EU official said.

Early in 2006, the EU's human rights commissioner Alvaro Gil-Robles's criticised a plan to revamp Christianity as a school subject [29] in elementary schools in Denmark. Gil-Robles said doing so went against European values. "Religion as a school subject should be a general course that attempts to **give students insight into the three monotheistic religions** [my emphasis]," he said. The "three monotheistic religions" means Christianity, Judaism and Islam.

As I see it, there are several possible ways of dealing with the issue of education about religion.

1. Teach the traditional religions within a particular country, which in Europe means Christianity and Judaism.
2. Teach all the major world religions.
3. Leave religion out of the curriculum.

What the European Union does, however, is to **treat Islam as a traditional, European religion on par with Christianity and Judaism. This is a crucial component of Eurabian thinking** and practice. Notice how EU authorities in this case directly interfered to force a once-independent nation state to include more teachings of Islam in its school curriculum in order to instill their children with a proper dose of Eurabian indoctrination. Notice also that they didn't ask for more teaching of Buddhism or Hinduism. Only Islam is being pushed.

In another case, the European Commission rebuffed a call by the Polish president for an EU-wide debate on reinstating the death penalty [30]. "The death penalty is not compatible with European values," a Commission spokesman said. Again, the issue here is not your opinion regarding the death penalty. The real issue is that the metasticising EU has already defined for you what constitutes "European values." Thus, major issues are simply beyond public debate. This innocent-sounding phrase "European values" cloaks a federal, Eurabian ideology enforced across the entire European Union without regard to the popular will.

Perhaps the most shameful and embarrassing aspect of the history of Eurabia is how the supposedly critical and independent European media has allowed itself to be corrupted or deceived by the Eurabians. Most of the documents about the Euro-Arab Dialogue place particular emphasis on working with the media, and the Eurabians have played the European media like a Stradivarius. Aided by a pre-existing anti-Americanism and anti-Semitism, European media have been willing to demonise the United States and Israel while remaining largely silent on the topic Eurabia.

In May 2006, a big conference [31] was held in Vienna involving media figures (journalists) from all over Europe, who met with partners from the Arab world as a part of the Euro-Arab Dialogue.

European officials responded publicly with "regret" to Israel's ambassador to Austria Dan Ashbel's decision to boycott the conference on racism in the media because of concern in Jerusalem that anti-Semitism was getting short shrift at the meeting. Speaking for the conference - entitled "Racism, Xenophobia and the Media: Towards Respect and Understanding of all Religions and Cultures" - an official claimed that anti-Semitism was not taken off the agenda. This official countered that the meeting was "primarily a dialogue between the media representatives of all the Euro-Med partners on the

problems that beset their profession. These include xenophobia, racism, anti-Semitism and **Islamophobia** [*my emphasis*]."

Writer Bruce Bawer [32] thinks that many Europeans recognise that multiculturalism is leading their societies to disaster. But they've heard all their lives from officially approved authorities that any concern about multiculturalism and its consequences is tantamount to racism:

"There's a widespread resignation [33] to the fact that multiculturalists control the media, academy, state agencies, and so on. They know very well that if you want to get ahead in European society, you don't take on multicultural orthodoxy. The political establishment seems solidly planted, unmovable, unchangeable. There may be a widespread rage, in short, but it's largely an impotent rage. Europeans today have been bred to be passive, to leave things to their leaders, whose wisdom they've been taught all their lives to take for granted. To shake off a lifetime of this kind of indoctrination is not easy."

According to Bat Ye'or, fear of awakening opposition to EU policy toward the Arab Mediterranean countries led to the repression of all discussion of the economic problems and difficulties of integration caused by massive immigration. Any criticism of Muslim immigration is basically brushed off as being "just like the Jews were talked about in Nazi Germany," a ridiculous but effective statement.

Bat Ye'or agrees with Bawer's analysis "concerning the totalitarian web cohesion of 'teachers, professors, the media, politicians, government agency workers, talking heads on TV, the representatives of state-funded "independent" organisations like SOS Racism' to indoctrinate the politically correct. This perfectly expresses the political directives given by the European Commission to coordinate and control in all EU member-states the political, intellectual, religious, media, teaching and publishing apparatus since the 1970s so as to harmonise with its Mediterranean strategy based on multiculturalism."

Professional harassment, boycott and defamation punish those who dare to openly challenge the Politically Correct discourse. According to Bat Ye'or, this has led to the development of a type of "resistance press" as if Europe were under the "occupation" of its own elected governments. This free press on the Internet and in blogs has brought some changes, including the rejection of the European Constitution in 2005. Despite overwhelming support for the Constitution by the governments in France and the Netherlands and a massive media campaign by political leaders in both countries, voters rejected it. Blogs played a significant part [34] in achieving this.

Only a few months later, EU authorities lined up together with authoritarian regimes [35] such as Iran, Saudi Arabia, Cuba and the Chinese Communist Party in favor of "more international control with" (read: censorship of) the Internet.

According to Richard North of the EU Referendum blog [36], "The most dangerous form of propaganda is that which does not appear to be propaganda. And it is that form at which the BBC [the British Broadcasting Corporation] excels. Perhaps the biggest sin of all is that of omission. By simply not informing us of key issues, they go by default, unchallenged until it is too late to do anything about them."

Vladimir Bukovsky is a former Soviet dissident, author and human rights activist who spent a total of twelve years in Soviet prisons. Now living in England, he warns against some of the same anti-democratic impulses in the West, especially in the EU, which he views as an heir to the Soviet Union. In 2002, he joined in on protests against the BBC's compulsory TV licence [37]. "The British people are being forced to pay money to a corporation which suppresses free speech - publicising views they don't necessarily agree

with." He has blasted the BBC for their "bias and propaganda," especially in stories related to the EU or the Middle East.

Conservative MP, Michael Gove and political commentator Mark Dooley also complain about lopsided coverage [38]: "Take, for example, the BBC's coverage of the late Yasser Arafat. In one profile broadcast in 2002, he was lauded as an "icon" and a "hero," but no mention was made of his terror squads, corruption, or his brutal suppression of dissident Palestinians. Similarly, when Israel assassinated the spiritual leader of Hamas, Sheikh Ahmed Yassin, in 2004, one BBC reporter described him as "polite, charming and witty, a deeply religious man." This despite the fact that under Yassin's guidance, Hamas murdered hundreds."

Polish writer Nina Witoszek [39], now living in Norway, warns that people who have lived under Communist regimes are struck by a strange feeling of *dejà vu* in Western Europe:

"Before formulating a sentence, you put on a censorship autopilot which asks: Who am I insulting now? Am I too pro-Israeli, or maybe anti-Feminist, or - God forbid - anti-Islamic? Am I "progressive" enough? Soon we shall all write in a decaffeinated language: We shall obediently repeat all the benign mantras such as "dialogue," "pluralism," "reconciliation" and "equality." Norway has never been a totalitarian country, but many people now feel the taste of oppression and of being muzzled. I know many wise Norwegians - and even more wise foreigners - who no longer have the energy to waste time on contributing to a castrated, paranoid democracy. We prefer safety above freedom. This is the first step towards a voluntary bondage."

She quotes fellow writer from Poland Czeslaw Milosz, who won the Nobel Prize in Literature in 1958 for books such as *The Captive Mind*, where he explained the seductiveness of totalitarian ideology.

One essay by Milosz is titled "Ketman." [40] "Ketman" or "kitman" is an Islamic term brought to Milosz's attention by Arthur Gobineau's book *Religions and Philosophies of Central Asia*. He had noticed that the dissidents in Persia, long accustomed to tyranny, had evolved a style of their own. The need for survival often involved more than just keeping your mouth shut, but of actively lying in every way necessary. This strategy of dissimulation and deceit, which is especially pronounced by Shia Muslims but also used by Sunnis, is primarily used to deceive non-Muslims, but can also be used against other Muslims under duress.

According to Milosz, a very similar strategy was used in Communist countries. Similar to Islam, those practicing dissimulation felt a sense of superiority towards those who were stupid enough to state their real opinions openly. In Communist societies, dissimulation was just as much a technique of adaptation to an authoritarian regime as a conscious, theatrical form of art that became increasingly refined.

It is frightening to hear people who have grown up in former Communist countries say that they see this same totalitarian impulse at work in Western Europe now. According to them, we in the West are at least as brainwashed by multiculturalism and Political Correctness [41] as they ever were with communism. It is frightening because I believe they are right. Have we witnessed the fall of the Iron Curtain in Eastern Europe only to see an Iron Veil descend on Western Europe? An Iron Veil of EU bureaucracy and Eurabian treachery, of Political Correctness, Multicultural media censorship and the ever-present threat of Muslim violence and terrorism that is gradually extinguishing free speech. The momentum of bureaucratic treachery is accelerating.

Native Europeans and indeed some non-Muslim immigrants are quietly leaving in growing numbers, gradually turning the continent into a net exporter of refugees rather than an

importer of them. When large parts of Europe are being overrun by barbarians - actively aided and abetted by our own trusted leaders - and when people are banned from opposing this onslaught, is Western Europe still a meaningful part of the Free World? Have the countries of Eastern Europe gone from one "Evil Empire" to another? Are they - and we - back in the EUSSR?

Vaclav Klaus, the conservative President of the Czech Republic, has complained that: "Every time I try to remove some piece of Soviet-era regulation, I am told that whatever it is I am trying to scrap is a requirement of the European Commission." In an interview with Paul Belien of the Brussels Journal [42] in February 2006, Vladimir Bukovsky warned that the European Union is on its way to becoming another Soviet Union. Mr Bukovsky called the EU a "monster" that must be destroyed, the sooner the better, before it develops into a fully-fledged totalitarian state.

"The ultimate purpose of the Soviet Union was to create a new historic entity, the Soviet people, all around the globe. The same is true in the EU today. They are trying to create a new people. They call this people "Europeans", whatever that means. According to Communist doctrine as well as to many forms of Socialist thinking, the state, the national state, is supposed to wither away. In Russia, however, the opposite happened. Instead of withering away the Soviet state became a very powerful state, but the nationalities were obliterated. But when the time of the Soviet collapse came these suppressed feelings of national identity came bouncing back and they nearly destroyed the country. It was so frightening."

Timothy Garton Ash is considered a leading expert on Europe's future. Bruce Bawer views Garton Ash as typical of Europe's political élite. Ash mistrusts national patriotism but adores the EU. He writes about the need for a factitious European patriotism ("flags, symbols, a European anthem we can sing") to encourage "emotional identification with European institutions." And just why does Europe need the EU? Garton Ash's answer: "To prevent our falling back into the bad old ways of war and European barbarism." Among his suggestions is that Europe encourage "the formation of an Arab Union." He makes no mention of Arab democracy. Imagining "Europe in 2025 at its possible best," he pictures it as a "partnership" with Arab countries and Russia that would extend "from Marrakesh, via Cairo, Jerusalem, Baghdad, and Tbilisi, all the way to Vladivostok."

The European Commission proposed the controversial idea of a singing event in all member states to celebrate the European Union's 50th "birthday," the 50th anniversary of the 1957 Treaty of Rome. Commissioner Margot Wallstrom was lobbying for big-style birthday celebrations to "highlight the benefits that European integration has brought to its citizens." Diplomats said the idea had sparked feelings of disgust among new, formerly Communist member states such as Poland, Hungary and the Czech Republic, which were reminded of "Stalinist times" when people were forced by the state to sing. Brussels decided on a more modest celebration, also intended to spend around €300,000 on the appointment of 50 citizen "ambassadors," dubbed the "Faces of Europe," who are supposed to "tell their story" throughout the year on what the EU means to them in their daily life, as well as a series of activities for school children and youngsters. Germany will go ahead with its own idea to let thousands of its bakeries bake 54 sorts of cakes with recipes from all 27 member states.

Commissioner Wallstrom [43] in 2005 argued that politicians who resisted pooling national sovereignty risked a return to Nazi horrors of the 1930s and 1940s. Her fellow commissioners also issued a joint declaration, stating that EU citizens should pay tribute to the dead of the Second World War by voting Yes to the EU Constitution. The commissioners gave the EU sole credit for ending the Cold War, making no mention of the role of NATO or the United States.

Is the EU an instrument to end wars? In October 2006, Michel Thoomis, the secretary general of the French Action Police trade union, warned of a civil war [44] in France created by Muslim immigrants:

"We are in a state of civil war, orchestrated by radical Islamists. This is not a question of urban violence any more, it is an intifada, with stones and Molotov cocktails. You no longer see two or three youths confronting police, you see whole tower blocks emptying into the streets to set their 'comrades' free when they are arrested."

These Muslim immigrants were allowed in by the very same European elites who now want European citizens to celebrate their work through cakes and songs. While civil society is disintegrating in Western Europe due to Islamic pressures, EU authorities are working to increase Muslim immigration, while congratulating themselves for bringing peace to the continent. What peace? Where?

The Peace of Westphalia [45] in 1648 ended the Thirty Years' War, the last major religious war in Europe, and helped lay the foundations for modern nation states. Before nation states, we thus had a pattern of borderless religious wars and civil wars. This is what we have returned to, full circle, only this time a borderless Jihad is triggering civil wars in Europe. While the EU may help prevent wars between nation states with old grudges, such as Germany and France, it may also actively cause other kinds of wars. It accomplishes this by increasing Multicultural tensions and a dangerous sense of estrangement between citizens and those who are supposed to be their leaders.

Wars have existed for thousands of years before the advent of the modern nation state. It is far more likely that weakening nation states will end our democratic system, a system which is closely tied to the existence of sovereign nation states, than that it will end wars.

When asked whether the member countries of the EU joined the union voluntarily, and whether the resulting integration reflects the democratic will of Europeans, Vladimir Bukovksy replied, "No, they did not. Look at Denmark which voted against the Maastricht treaty twice. Look at Ireland [which voted against the Nice treaty]. Look at many other countries, they are under enormous pressure. It is almost blackmail. It is a trick for idiots. The people have to vote in referendums until the people vote the way that is wanted. Then they have to stop voting. Why stop? Let us continue voting. The European Union is what Americans would call a shotgun marriage."

In 1992, Bukovksy had unprecedented access to Politburo and other Soviet secret documents, as described in his book, *Judgement in Moscow*. In January 1989, during a meeting between Soviet leader Gorbachev, former Japanese Prime Minister Nakasone, former French President Valéry Giscard d'Estaing, American banker Rockefeller and former US Secretary of State Henry Kissinger, Giscard d'Estaing supposedly stated:

"Europe is going to be a federal state and you have to prepare yourself for that. You have to work out with us, and the European leaders, how you would react to that."

This was in the 1980s, when most of the media still dismissed as scaremongering any talk of a political union that would subdue the nation states. Fifteen years later, Valéry Giscard d'Estaing became the chief drafter of the truly awful EU Constitution, an impenetrable brick of a book, hundreds of pages long, and lacking any of the checks and balances so crucial to the American Constitution. Giscard has argued that the rejection of the Constitution in the French and Dutch referenda in 2005 "was a mistake which will have to be corrected" and insisted that "In the end, the text will be adopted."

Giscard has also said that "it was a mistake to use the referendum process" because "it is not possible for anyone to understand [46] the full text." Does it instill confidence among the citizens of Europe that we are supposed to be under the authority of a "Constitution" that is too complex for most non-bureaucrats to understand? According to Spain's justice minister [47] Juan Fernando Lopez Aguilar "you don't need to read the European constitution to know that it is good."

Jean-Luc Dehaene, former Belgian Prime Minister, said that "We know that nine out of ten people will not have read the Constitution and will vote on the basis of what politicians and journalists say. More than that, if the answer is No, the vote will probably have to be done again, because it absolutely has to be Yes."

Journalist Nidra Poller [48], however, is more skeptical. Commenting on the debate prior to the EU Constitution referendum in France, she noted a submissive attitude among EU leaders towards Muslim demands: "The Euro-Mediterranean 'Dialogue' is a masterpiece of abject surrender." The European Union functions as an intermediate stage of an ominous project that calls for a meltdown of traditional European culture, to be replaced by a new, Eurabian cocktail. And she asks: "When subversive appeasement hides behind the veil of 'Dialogue,' what unspeakable ambitions might be dissembled by the noble word 'Constitution'?"

The European Union gave the Palestinians \$342.8 million in aid in 2005 [49] - or, more accurately, \$612.15 million when assistance from the 25 EU governments is included. Even the United States has repeatedly donated millions of American tax dollars to the Palestinian Authority, though not at EU levels. In July 2005, as a response to the Islamic terrorist attacks on London a few days earlier, leaders of the G8, the group of influential industrialised nations, offered the PA some \$9 billion [50], dubbed an "alternative to the hatred."

The West's largesse continued despite a demographic study in 2005 which revealed that the number showing the Palestinian population in the West Bank and Gaza had been inflated [51] by 50% by the government.

Almost all of the new infrastructure [52] in the Palestinian territories from the beginning of the Oslo Peace Process in the 1990s - schools, hospitals, airports - were arranged and paid for by Brussels. As Jihad was once again unleashed with the second Intifada in 2000, Israel stopped its transfer of payments to the Palestinians. So the EU stepped in with another 10 million Euros a month in direct budgetary assistance to the Palestinian Authority. EU Commissioner for External Affairs Chris Patten [53] stated in 2002 that "there is no case for stating that EU money has financed terrorism, has financed the purchase of weapons, or any similar activities."

However, a report by the Foundation for the Defence of Democracies [54] later found that: "There is indisputable evidence that PA money has been used to fund terrorist activities." This was confirmed by Fuad Shubaki, who used to serve as the finance chief in the Palestinian security forces. According to him, former Palestinian Authority chairman Yasser Arafat [55] ordered millions of dollars, taken from international aid funds, tax money transferred by Israel and from Arab countries, to be used to purchase weapons and ammunition, including the 50 tons of armaments on board the ship Karine A. The transaction was coordinated between the PA, Hizballah in Lebanon and the Iranian Revolutionary Guards.

In May 2006, Mahmoud Abbas - President of the Palestinian Authority after Arafat's death in November 2004 and a leading politician in Fatah - talked to the European Parliament about the peace process. At the same time, the al-Aksa Martyrs Brigades, the armed wing of Fatah, threatened to strike [56] at US and European economic and civilian

interests in response to international sanctions on the PA. Financial support evokes no gratitude in the Palestinians. However, they will threaten you with violence if aid is not forthcoming. This is plainly extortion.

This shakedown corresponds to the Muslims' view of the Jizya, the tributary tax paid by non-Muslims in exchange for not being killed. Documents from the Euro-Arab Dialogue frequently mention about "financial assistance" from the EU to Arab countries. Bat Ye'or points out that some of this Jizya tax is extracted from Europeans without their awareness.

In November 2005, the EU's official financial watchdog [57] refused to approve the EU's accounts for the 11th year in a row because they were so full of fraud and errors. The European Court of Auditors refused to give a statement of assurance on the EU's \$160.3 billion budget for 2004. "The vast majority of the payment budget was again materially affected by errors of legality and regularity," it said. It specifically refused to approve the budgets for the EU's foreign policy and aid programs, many of which are geared towards Arab countries. Half the project budgets approved by the European Commission were inadequately monitored.

The European Commission is considered the EU's "government," and thus the government of nearly half a billion people. But it can release accounts with massive flaws for over a decade straight because it is largely unaccountable to anybody and was intended to be that way.

Muslims use deception to advance Jihad until it is almost too late for the infidels to stop them. The EU federalists and Eurabians have taken a page out of the Islamic playbook, and have been approaching their goals by stealth for decades, buried beneath a mass of detail and technocratic newspeak all but incomprehensible to non-bureaucrats.

In a frank moment, Jean-Claude Juncker [58], Luxembourg's prime minister, once described the EU's "system" in this way:

"We decide on something, leave it lying around and wait and see what happens," he explained. "If no one kicks up a fuss, because most people don't understand what has been decided, we continue step by step until there is no turning back."

In *The Economist*, columnist Charlemagne writes:

"What Mr Juncker and those who think like him are trying to do is, in essence, to **drown opposition to European federation in a mass of technical detail, to bore people into submission. As a strategy, it has gone a long way.** [My emphasis] The greatest single transfer of sovereignty from Europe's nations to the European Union took place, in 1985, as part of the project to create a single European market. Even [British Conservative PM] Margaret Thatcher, not usually slow to spot a trick, later claimed that she had not fully appreciated the ramifications of what she was then signing up to."

Writer Christopher Booker has called this the EU's "culture of deceit" [59]:

"What in fact has been taking place has been a transfer of power (...) to Brussels on a scale amounting to the greatest constitutional revolution in our history. But much of this has remained buried from view because our politicians like to preserve the illusion that they are still in charge. The result is that remarkably few people now have any proper understanding of how the political system which rules our lives actually works."

I have used the term "neo-Feudalism" to describe the EU. There are definitely certain elite groups in Europe who think that everything that's wrong with Europe is because of "populism" - what others call democracy. The motive force behind the EU aims to cede national sovereignty to a new ruling class of bureaucrats, a new aristocracy. This is a throwback to the pre-democratic age. Karl Zinsmeister notes [60] that:

"The EU apparatus is exceedingly closed and secretive. Relatively few of the confederation's important decisions are currently made by democratically accountable officials. On front after front, bureaucratic mandarins are deciding how everyday Europeans will live. ... Many Europeans, in a way Americans find impossible to understand, are willing to let their elites lead them by the nose. There is a kind of peasant mentality under which their "betters" are allowed to make the important national judgments for them."

MP Gisela Stuart was a member of the Praesidium which drafted the proposed EU Constitution. She sums up her experiences thus:

"The Convention brought together a self-selected group of the European political elite, many of whom have their eyes on a career at a European level, which is dependent on more and more integration, and who see national parliaments and governments as an obstacle ... Not once in the sixteen months I spent on the Convention did representatives question whether deeper integration is what the people of Europe want, whether it serves their best interests or whether it provides the best basis for a sustainable structure for an expanding Union."

In 2005, an unprecedented joint declaration by the leaders of all the British political groups in Brussels called for an end the "medieval" practice of European legislation being decided behind closed doors. Critics claim that the Council of Ministers, the EU's supreme law-making body, which decides two thirds of all Britain's laws, "is the only legislature outside the Communist dictatorships of North Korea and Cuba to pass laws in secret."

According to British Conservative politician Daniel Hannan, this is how the EU was designed. "Its founding fathers understood from the first that their audacious plan to merge the ancient nations of Europe into a single polity would never succeed if each successive transfer of power had to be referred back to the voters for approval. So they cunningly devised a structure where supreme power was in the hands of appointed functionaries, immune to public opinion. Indeed, the EU's structure is not so much undemocratic as anti-democratic."

The European Union has been compared to the Roman Empire, but such comparisons are not very apt. Rome was the military superpower of its time, while the EU is but a military midget. However, there is one intriguing commonality: Julius Caesar was murdered because he wanted to crown himself king. This was not a popular move among the powerful elite in the Senate, who reminded Caesar that Rome had become a Republic precisely because they had rebelled against the "tyrant" kings of old.

Caesar's successor Octavian, better known today as Caesar Augustus, is considered both the first and one of the most important Roman Emperors. He downplayed his own position by preferring the title princeps, usually translated as "first citizen". He also preserved the outward form of the Roman Republic, paid lip service to the old elite, and veiled the changes to make them seem less upsetting to the public. He may have been a monarch, but he never called himself one.

Some might see a parallel in the present-day EU. When up to three-quarters of our national laws originate in Brussels, what is then the point of holding national elections? Just as in Octavian's Rome, the real power has been moved elsewhere, but the old order is draped over reality as a democratic fig leaf in order not to upset the common people. The EU operates largely by stealth; its edicts are implemented through traditional parliaments, which are increasingly reduced to decorative appendages.

The funny aspect of this is that those who are against the EU are labelled xenophobes, nationalists or simply anti-democratic forces. The EU is an organisation where unelected bureaucrats dismantle democracy, yet denounce their critics as anti-democratic forces.

In order to create this new entity, the old nation states must be deliberately crushed. Massive numbers of non-European immigrants are introduced, and the resulting situation is termed a "Multicultural society". This demolition is followed by the demand that our entire society be changed accordingly.

Since Europeans feel less "European" than they experience themselves as French, Italian, Dutch, etc., national allegiances have to be broken down. At the same time, an external rival must be created. The closest model is Bismarck's unification of Germany. The numerous German states rallied to Prussia's side against the French in the Franco-Prussian War in 1870, thus paving the way for a new, powerful German federation.

The EU federalists strive to build a united European state through a shared animosity against the USA, while constructing a Eurabian entity of Europe and the Arab world via their common hostility towards Israel. One tactic is the deliberate use of the media to whip up anger against these countries and to demonise them.

However, Bismarck's German states were united by a common language. Even if a "new us" could be constructed from dozens of nations - which is highly questionable - melding various ethnic groups into a cohesive nation takes centuries. Without a shared identity, without a European demos, how can the EU be anything but authoritarian? Perhaps the EU elites believe that a large mass of people lacking a distinct cultural identity would be easier to control?

The problem is that the nation state itself has been declared evil or obsolete, not collectivism, anti-individualism or totalitarianism. But there is a crucial distinction between nationalism and patriotism, which George Orwell saw clearly:

"Nationalism is not to be confused with patriotism. By 'patriotism' I mean devotion to a particular place and a particular way of life, which one believes to be the best in the world but has no wish to force on other people. Patriotism is of its nature defensive, both militarily and culturally. Nationalism, on the other hand, is inseparable from the desire for power."

Totalitarian regimes can be national, such as Nazi Germany, but they can also be supranational, such as the Soviet Union, which sought to suppress all pre-existing national loyalties.

How was a project as big as the creation of Eurabia pulled off? I have thought a lot about this question, and come to the conclusion that it succeeded precisely because of its size. St. Augustine tells the story of a pirate captured by Alexander the Great. "How dare you molest the sea?" asked Alexander. "How dare you molest the whole world?" the pirate replied. "Because I do it with a little ship only, I am called a thief; you, doing it with a great navy, are called an emperor."

It's a matter of scale. If a small group of people sideline the democratic process in one country and start imposing their own laws on the public, it's called a coup d'état. If they do so on an entire continent, it's called the European Union.

Adolf Hitler's autobiography *Mein Kampf* described a propaganda technique known as "the Big Lie". The EU has adopted this strategy, which consists of telling a lie so "colossal" that it would be impossible to believe anyone "could have the impudence to distort the truth so infamously." This has been combined with the technique, perfected by Propaganda Minister Joseph Goebbels in Nazi Germany, of repeating a point until it is taken to be the truth.

Here are some Big Lies:

- Diversity is always good;
- Multiculturalism is inevitable, as is continued EU integration;
- Those opposing it are ignorant racists standing against the tide of history;
- Muslim immigration is "good for the economy" and is necessary for funding the welfare state in the future, despite the fact that it drains away enormous resources.

The creation of Eurabia ranks as one of the greatest betrayals in the history of Western civilisation. Does that mean that all EU federalists or those who participate in the various instruments of the Euro-Arab Dialogue are evil? No, reality isn't that simple. As Hugh Fitzgerald points out, "A whole class of people has gotten rich from Arab money and bribes; lawyers, public relations men, and diplomats, journalists, university teachers and assorted officials."

However, while ignorance, corruption and the self-serving search for personal power explains some of the behaviour of the Eurabian elites, it cannot explain the behaviour of ALL those thousands of people who have been involved in these networks. Some of them must have convinced themselves that what they were doing was for a just cause, if for no other reason than because human vanity demands that we justify our actions by covering them with a veneer of goodness.

In the science fiction movie *Serenity* [61], the two great superpowers, the United States and China, have merged into the Alliance, which has moved humanity to a new star system. On the little-known planet Miranda, a gas called Pax was added to the air processors. It was intended to calm the population, weed out aggression. It worked. The people stopped fighting. They also stopped doing everything else, including breeding and physical self-preservation. A small minority of the population had the opposite reaction to this pacification. Their aggression increased beyond madness, and they killed most of the others. Tens of millions of people quietly let themselves be wiped out.

Movie director Joss Whedon is careful to point out that the Alliance isn't some evil empire, but rather a force that is largely benevolent. They meant it for the best, to create a better world, a world without sin. However, according to Whedon, "Whenever you create Utopia, you find something ugly working underneath it."

Former Europeans who fought against Jihad fought for a number of things: Their religion, their culture and their nation. EU federalists and Eurabians are deliberately suppressing all of these instincts in their quest to create a New Man and weed out aggression. However, because they have wrongly identified the nation state as the root cause of all evil, they are suppressing not just aggressive nationalism, but defensive patriotism. And since some of the Muslims have actually become even more aggressive in response to what they perceive as our nihilism, the Eurabians have suicidally disarmed their own people, literally and metaphorically, and put them up for slaughter.

Many Communists, at least in the beginning, really believed in their ideology. The result was mass slaughter; tens of millions of people were killed in the quest for a world without oppression or exploitation. The road to Hell is paved with good intentions. Regardless of how good your intentions may be, you cannot use millions of people as guinea pigs in massive social experiments without also causing massive harm.

Perhaps one of the reasons why this has been allowed to happen in Western Europe and the European Union is because we never fully understood or attempted to confront the reasons for the abysmal failure of Communism in Eastern Europe and the Soviet Union following the Cold War. The concept of massive social experiments to create a New Man was allowed to survive. It mutated and then migrated West. Jean Monnet, who set in motion the process of European integration, reflected on how the European civil service constituted a 'laboratory' in which a new kind of 'European Man' would be born. But the New European Man, just like the New Soviet Man before him, is all but certain to fail.

Can the European Union be reformed? I doubt it. The EU is bound together by a self-serving class of bureaucrats who want to expand their budgets and their power, despite the harm they do. These functionaries will use traditional methods of deception to counteract any calls for reforms so they can retain control.

It is instructive to watch the reactions of the EU elites to the popular rejections in France and Holland of the EU Constitution in 2005. They put together a "wise" group [62] of European politicians, led by Giuliano Amato, Italian Interior Minister in "super-Eurabian" Romano Prodi's government, to come up with possible solutions to this impasse. Suggestions discussed included dropping the name "constitution" in favor of "treaty."

The same Amato, who is a former Italian Prime Minister and also the Vice-President of the EU Convention which drafted the Constitution, has earlier stated [63] that:

"In Europe one needs to act 'as if' - as if what was wanted was little, in order to obtain much, as if states were to remain sovereign to convince them to concede sovereignty ... The Commission in Brussels, for example, should act as if it were a technical instrument, in order to be able to be treated as a government. And so on by disguise and subterfuge [my emphasis]."

That a man who has openly bragged about how EU federalist goals are advanced by "disguise and subterfuge" leads the attempts to "renew" the EU Constitution tells ordinary Europeans everything we need to know about the EU. If the EU elites have deliberately deceived us for decades to achieve their goals, why should we suddenly trust them now? Fool me once, shame on you. Fool me twice, shame on me. These people have fooled us enough.

"I think that the European Union, like the Soviet Union, cannot be democratised," says Vladimir Bukovksy. "There will be a collapse of the European Union pretty much like the Soviet Union collapsed. But do not forget that when these things collapse they leave such devastation that it takes a generation to recover.(...) Look to the huge number of immigrants from Third World countries now living in Europe. This was promoted by the European Union. What will happen with them if there is an economic collapse? We will probably have, like in the Soviet Union at the end, so much ethnic strife that the mind boggles."

In their book about the EU, Richard North and Christopher Booker conclude: "The project Monnet had set on its way was a vast, ramshackle, self-deluding monster: partly suffocating in its own bureaucracy; partly a corrupt racket (...) The one thing above all the project could never be, because by definition it had never been intended to be, was

in the remotest sense democratic." They believe the EU is doomed and will "leave a terrible devastation behind it, a wasteland from which it would take many years for the peoples of Europe to emerge."

I understand concerns that the destruction of the EU could cause "instability" in Europe. It will. But we will probably end up with "instability" anyway, given the number of Muslims the EUradians have let in. The choice is between a period of painful years in which most of Europe prevails, and death, where Europe simply ceases to exist as a Western cultural entity.

Some would hope that we could keep the "positive" aspects of the EU and not "throw out the baby with the bath water." I beg to differ.

The EU is all bath water, no baby. There never was a baby, just a truckload of overpaid babysitters.

Multiculturalism separates people into "tribes" below the nation state level. This is precisely the situation we had in Europe in the Middle Ages. Likewise, the idea that we should "respect" other cultures by not criticising them means turning the clock back several centuries to the pre-Enlightenment era. Multiculturalism is merely a medieval ideology, and will generate medieval results.

Although the EU will fail in creating a pan-European identity, it has already partly succeeded in weakening the traditional nation states. Across Western Europe, Muslim immigrants tend to settle in major cities [64], with the native population retreating into the countryside. This destruction of the coherence of society is triggering a return to tribalism, as people no longer trust the nation state to protect them.

The process has been explained by Ernest Baert [65]: "Over many centuries, Western Europe has replaced the tribe or clan by the nation state." The result was that "European citizens tend to have equal trust in all other citizens of the same nation state outside their immediate family and circle of friends." This "high-trust society" was a necessary precondition not only for the success of a capitalist economy in Europe, but also for the rise of democracy.

A different worldview prevails in the Muslim world or in Africa. There, individuals have no choice but to fall back on their clan for protection. So what effect will the introduction of massive numbers of individuals from "low-trust societies" have on our own culture? Baert is pessimistic:

"There is little doubt that we live in the dying days of the multicultural fantasy. It will end in misery and may lead to the loss of Europe as a part of Western civilisation. Our children and grandchildren will look back to our days and wonder why so many so easily accepted what patently contradicted history and common sense."

While ordinary Europeans live in fear of Muslim violence in their own cities and trust in their own leaders is plummeting, EU elites meet in cocktail parties and congratulate each other for bringing peace to Europe.

The European Union promised a Brave New World where wars and ethnic rivalries were a thing of the past. Will it deliver the Middle Ages? Maybe that's what Utopias tend to do.

Sources:

http://gatesofvienna.blogspot.com/2006/10/eurabia-code_19.html

1. <http://www.danielpipes.org/article/90>
2. <http://www.brusselsjournal.com/node/657>
3. <http://gatesofvienna.blogspot.com/2006/06/why-eu-needs-to-be-destroyed-and-soon.html>
4. <http://eureferendum.blogspot.com/>
5. <http://gatesofvienna.blogspot.com/2006/04/fall-of-france-and-multicultural-world.html>
6. http://ec.europa.eu/comm/external_relations/euromed/conf/naples/index.htm
7. http://www.adnki.com/index_2Level_English.php?cat=Politics&loid=8.0.311746780&par=0
8. http://ec.europa.eu/comm/external_relations/euromed/conf/dublin/index.htm
9. http://ec.europa.eu/comm/external_relations/euromed/bd.htm
10. http://www.europarl.europa.eu/meetdocs/2004_2009/documents/autres/note_/note_en.pdf
11. http://www.europeanmovement.org/key_themes.cfm?cat=MP
12. <http://www.coe.int/NewsSearch/Default.asp?p=nwz&id=5616&lmLangue=1>
13. <http://www.telegraph.co.uk/news/main.jhtml?xml=/news/2006/02/16/wtort116.xml&sSheet=/news/2006/02/16/ixnewstop.html>
14. <http://www.dcccd.dk/DCCCD/cku.nsf/doc/olafg.hansensspeechjune2005rabat?OpenDocument>
15. <http://www.unesco.org/dialogue/rabat/commitment.html>
16. <http://www.frontpagemag.com/Articles/ReadArticle.asp?ID=23915>
17. <http://www.westernresistance.com/blog/archives/003067.html>
18. <http://www.frontpagemag.com/Articles/ReadArticle.asp?ID=22415>
19. <http://www.memri.org/bin/articles.cgi?Page=archives&Area=sd&ID=SP44702>
20. <http://www.memritv.org/Transcript.asp?P1=1026>
21. <http://www.frontpagemag.com/Articles/ReadArticle.asp?ID=22916>
22. <http://www.meforum.org/article/687/%92>
23. <http://www.freerepublic.com/focus/f-news/1465349/posts>
24. <http://www.douglasfarah.com/article/92/europe-remains-center-of-islamist-focus>
25. <http://www.jihadwatch.org/dhimmiwatch/archives/010829.php>
26. <http://www.metimes.com/storyview.php?StoryID=20060214-062639-6847r>
27. <http://www.nato.int/docu/speech/1998/s981112a.htm>
28. <http://www.jihadwatch.org/dhimmiwatch/archives/010968.php>
29. <http://www.cphpost.dk/get/93360.html>
30. <http://www.iht.com/articles/2006/08/02/news/death.php>
31. <http://www.jpost.com/servlet/Satellite?pagename=JPost/JPArticle/ShowFull&cid=1145961388862>
32. <http://www.brucebawer.com/>
33. <http://www.frontpagemag.com/Articles/ReadArticle.asp?ID=24274>
34. <http://news.bbc.co.uk/1/hi/world/europe/4603883.stm>
35. <http://fjordman.blogspot.com/2005/10/keep-internet-free.html>
36. <http://eureferendum.blogspot.com/2006/08/game-they-are-playing.html>
37. <http://www.telegraph.co.uk/news/main.jhtml?xml=/news/2002/11/08/nfee08.xml>
38. http://www.prospect-magazine.co.uk/article_details.php?id=7483
39. <http://www.dagbladet.no/kultur/2006/10/05/478767.html>
40. <http://www.slate.com/id/2105821>
41. <http://gatesofvienna.blogspot.com/2006/06/political-correctness-revenge-of.html>
42. <http://www.brusselsjournal.com/node/865>
43. <http://www.telegraph.co.uk/news/main.jhtml?xml=/news/2005/05/09/nve09.xml&sSheet=/portal/2005/05/09/ixportaltop.html>
44. <http://www.telegraph.co.uk/news/main.jhtml?xml=/news/2006/10/05/wmuslims05.xml>
45. <http://www.brusselsjournal.com/node/1101>
46. <http://www.iht.com/articles/2005/06/14/news/giscard.php>
47. <http://51.883.-0.407subf41:LEocmje681673499621BJ>
48. http://www.findarticles.com/p/articles/mi_qn4159/is_20050227/ai_n11829335
49. <http://www.jihadwatch.org/dhimmiwatch/archives/006392.php>
50. <http://www.jihadwatch.org/dhimmiwatch/archives/008181.php>
51. <http://www.jihadwatch.org/dhimmiwatch/archives/007084.php>
52. http://www.americanthinker.com/articles.php?article_id=4992
53. <http://www.likud.nl/press224.html>
54. http://ec.europa.eu/comm/external_relations/news/patten/sp02_293.htm
55. http://www.defenddemocracy.org/publications/publications_show.htm?doc_id=250109&attrib_id=7393
56. <http://www.jpost.com/servlet/Satellite?cid=1145961361493&pagename=JPost/JPArticle/ShowFull>
57. <http://www.jpost.com/servlet/Satellite?cid=1145961350957&pagename=JPost/JPArticle/ShowFull>
58. <http://www.fjordman.blogspot.com/2005/11/11-years-chaos-for-eu-accounts.html>
59. http://www.economist.com/World/europe/displayStory.cfm?story_id=1325309
60. <http://www.brugesgroup.com/mediacentre/index.live?article=91#price>
61. http://www.americanthinker.com/articles.php?article_id=4288
62. [http://en.wikipedia.org/wiki/Serenity_\(film\)](http://en.wikipedia.org/wiki/Serenity_(film))
63. <http://euobserver.com/9/22641>
64. <http://www.europeannocampaign.com/351.html>
65. <http://www.jihadwatch.org/dhimmiwatch/archives/012204.php>
66. <http://www.brusselsjournal.com/node/1492>

2.2 The Eurabia Code – 2008 Updates

By Fjordman

What has happened since 2006 is that European leaders are increasingly open about the idea of enlarging the EU to include the Arab world, although they do of course not present this as surrendering the continent to Islam. This hasn't been a total secret previously – in 2002 Louis Michel, the then Belgian minister of foreign affairs and today a member of the European Commission, told the Belgian parliament[2] that the EU will eventually encompass North Africa and the Middle East as well as Europe – but why go public with this now? My theory is that EU leaders consider their people to be defeated and irrelevant. After the implementation of the Lisbon Treaty/European Constitution[3], the people no longer have a say and can safely be ignored. They have held us in contempt for years and no longer care to hide this. We are sheep and constitute no threat while they must continue appeasing the Muslims.

Open plans for a "Mediterranean Union[4]" or "Union for the Mediterranean," which will include all EU member states, Mauritania, Morocco, Algeria, Tunisia, Libya, Egypt, Jordan, the Palestinian Authority, Lebanon, Syria and Turkey, was launched in mid-2008, under some concern among Arabs that such a Union might normalise their relationship with Israel[5]. This came with plans for the creation of a "north-south co-presidency" and a permanent secretariat as well as the definition of a "short-list" of priority projects for the region. The European Commission proposes the creation of a co-presidency between the EU and a Mediterranean (read: Muslim) country, chosen with consensus for a two-year term. Brussels is drawing the institutional profile of what will be called "Barcelona Process – A Union for the Mediterranean." Notice how they tie this explicitly to the Eurabian Barcelona Process described by Bat Ye'or. Despite this, even after the Mediterranean Union was launched, I heard claims that any talk about Eurabia was a "dangerous Islamophobic conspiracy theory."

In a letter[6] appearing in the respected Italian newspaper *Corriere della Sera*, former Italian President Francesco Cossiga in 2008 revealed that the government of Italy in the 1970s agreed to allow Arab terrorist groups freedom of movement in the country in exchange for immunity from attacks. The government of the late Prime Minister Aldo Moro reached a "secret non-belligerence pact between the Italian state and Palestinian resistance organisations, including terrorist groups." According to the former president, it was Moro himself who designed the terms of the agreement with the foreign Arab terrorists. "The terms of the agreement were that the Palestinian organisations could even maintain armed bases of operation in the country, and they had freedom of entry and exit without being subject to normal police controls, because they were 'handled' by the secret services." As Interior Minister, Cossiga said that he learned PLO members in Italy had diplomatic immunity as representatives of the Arab League. "The Palestinian organisations could even maintain armed bases of operation in the country."

This was the formal birth of Eurabia, when Western European governments, giving in to pressure from Arab terrorists and oil-producing states, abandoned their traditional pro-Israeli position and gradually aligned themselves with the Arab-Islamic world. There is absolutely no reason to assume[7] that the Italians were the only ones to make such "deals." In addition to cultural and political cooperation, European governments have agreed to pay Arabs, Palestinians in particular, large sums in "protection money" to reduce the terrorist threat. This can only be seen as *jizya*, and the practice has later spread to the entire European Union, which pays the Palestinians tens of millions if not hundreds of millions of Euros annually.

The MEDA programme[8], the principal financial instrument for the implementation of the Euro-Mediterranean Partnership, between 2000-2006 spent €5,350 million on its various programs, according to the EU's official website. During the period 1995-1999, some

86% of the resources allocated to MEDA were channelled to Algeria, Egypt, Jordan, Lebanon, Morocco, Syria, Tunisia, Turkey and the Palestinian Authority.

From 2007, MEDA was replaced by the European Neighbourhood and Partnership Instrument[9], which over the period 2007 to 2013 is projected to spend €11 billion on, among other things, promoting cooperation between European and Arab countries in the sectors of energy and transport; in higher education and mobility of teachers, researchers and students; Multicultural dialogue through people-to-people contacts, including links with communities of immigrants living in EU countries as well as cooperation between civil societies, cultural institutions and exchanges of young people. The European Commission, the EU's powerful government with extensive legislative powers, shall coordinate cooperation with non-governmental organisations (NGOs), universities, churches, religious associations and the media in matters related to this project; all according to documents available on the Internet, yet almost unknown to the general public since the mainstream media rarely mention them.

I got some critical comments to my original *Eurabia Code*, among others a claim that the Algiers Declaration from 2006, which is mentioned in the text, is not signed by any official EU body. However, the Anna Lind Euro-Mediterranean Foundation for the dialogue between cultures, which organised this, is linked to from the official EU website as a part of the EU's external relations programs and the Euro-Mediterranean Partnership. Some of the organisations that participate in this may technically be independent organisations, but there is no doubt that the European Commission constitutes the driving force behind these networks. Moreover, if you read these documents closely, you will find that they mention "harmonisation of the education systems" between Europe and the Arab world. This requires the involvement of the authorities at the highest level.

In September 2008, a brief statement[10] in a few media outlets in Denmark (I've seen remarkably little mention of this far-reaching proposal in the mainstream media in most European countries) said that Muslims living in the EU will in future be able to divorce according to sharia law. This is the belief of the Commission, which recommends that a couple be able to choose which country's law they will follow if they divorce – as long as they have some kind of connection to the country they choose. Danish People's Party spokesman Morten Messerschmidt was greatly concerned about the proposal: "It's a completely lamebrain idea, the possibility that the Commission will use inhumane sharia laws in the EU," he said.

What people don't understand is that this is a part of long-term deals that have already been agreed upon by EU leaders. Virtually all Western European leaders have already surrendered. There is no longer a question of whether or not sharia will be officially accepted as law (as it has been for Muslims living in Britain); it is only a question of how to implement this.

Meanwhile, a proposed European Arrest Warrant[11] lists a number of crimes, including terrorism, armed robbery, rape, and racism and xenophobia, which are punishable throughout the EU. The European Arrest Warrant requires that anyone who is charged by a member state under the listed group of offenses (which could cover just about anything) may be arrested by the authorities of the issuing state within any interference of the other member state. The accused must then be transited for trial to the issuing state within ten days, without any interference, judicial or otherwise, by the executing state.

Racism includes "Islamophobia[12]," according to EU documents, which means that "Islamophobia" could soon be treated as a crime as serious as rape and armed robbery across the European continent. At the same time, EU leaders are busy enlarging the EU to include North Africa and the Middle East, thus flooding Europe with tens of millions of additional Muslims. Not far into the future, we can imagine a situation where the

authorities can arrest a person in, say, Denmark or Italy, who has published a cartoon that could be considered offensive to Islam. He will then be handed over to the authorities in Algeria, Egypt or Jordan.

Remember that blasphemy against Islam carries the death penalty according to sharia. Multiculturalism in Europe is about to reach its openly totalitarian phase. Those who think this is a joke can look at the Dutch cartoonist Gregorius Nekschot[13] who was arrested in 2008 for cartoons that "insulted" Muslims. Several documents that are publicly available (but little known by the general public because they are never referred to by the mainstream media) state that the EU should "harmonise" the education and legal systems with the Arab "partner countries" within the coming decade. This is being negotiated as we speak, behind our backs.

European Commission president José Manuel Barroso earlier expressed unease[14] with the prospect of a second Dutch Lisbon Treaty/European Constitution referendum. "Referendums make the process of approval of European treaties much more complicated and less predictable," he said, asking "every member state" considering a referendum to "think twice." Mr Barroso in his previous job as Portuguese Prime Minister in 2004 backed a referendum on the EU constitution in his own country – but since then his thinking has changed. "I was in favour of a referendum as a prime minister, but it does make our lives with 27 member states in the EU more difficult. If a referendum had been held on the creation of the European Community or the introduction of the euro, do you think these would have passed?"

As journalist Nick Fagge stated in the British newspaper the *Daily Express*[15] in October 2008:

"More than 50 million African workers are to be invited to Europe in a far-reaching secretive migration deal, the Daily Express can reveal today. A controversial taxpayer-funded 'job centre' opened in Mali this week is just the first step towards promoting 'free movement of people in Africa and the EU'. Brussels economists claim Britain and other EU states will 'need' 56 million immigrant workers between them by 2050 to make up for the 'demographic decline' due to falling birth rates and rising death rates across Europe. The report, by the EU statistical agency Eurostat, warns that vast numbers of migrants could be needed to meet the shortfall in two years if Europe is to have a hope of funding the pension and health needs of its growing elderly population. It states: ...'Having sufficient people of working age is vital for the economy and for tax revenue.' The report, by French MEP Françoise Castex, calls for immigrants to be given legal rights and access to social welfare provision such as benefits. Ms Castex said: 'It is urgent that member states have a calm approach to immigration. To say 'yes', we need immigration ...is not a new development, we must accept it.'"

Let's sum up our findings so far: The EU has accepted that the Union should be enlarged to include the Muslim Middle East and North Africa. The EU has accepted that tens of millions of immigrants from predominantly Muslim countries in northern Africa should be allowed to settle in Europe in the years ahead. This is supposedly "good for the economy." It is planning to implement sharia laws for the millions of Muslims it is inviting to settle in Europe. It has passed stronger anti-racism laws while making it clear that "Islamophobia" constitutes a form of racism, and is cooperating with Islamic countries on rewriting school textbooks to provide a "positive" image of Islam to European children. Finally, the EU is developing an Arrest Warrant which stipulates that those charged with serious crimes, for instance racism, can be arrested without undue interference of the nation state they happen to live in. In essence, **the EU is formally surrendering an entire continent to Islam while destroying established national cultures, and is prepared to harass those who disagree with this policy. This constitutes the greatest organised betrayal in Western history, perhaps in human history, yet is hailed as a victory for "tolerance."**

José Manuel Barroso, the leader of the unaccountable government for half a billion people, has stated[16] that the EU is an empire. Maybe we think it's ridiculous to see the EU as an empire, but his statement shows that some people in leading positions do think like this. It would make sense to remember that all empires in history have been created through war. If the EU is an empire, this means that a war is being waged against somebody. And it is: A cultural and demographic war waged by mass immigration against native Europeans. Whereas empires are normally created by waging a war against other peoples, the EU is the first empire in history created by leaders allowing other peoples to wage a war against their own.

The European Union – or the Eurabian Empire if you will – is a naked power grab by the elites in order to dismantle the nations there are supposed to serve. Instead of being mere servants of the people in smaller countries, they aspire to become members of an unaccountable elite ruling a vast empire as they see fit. This is why they continue to promote mass immigration as if nothing has happened even if people get blown up, raped, mugged and murdered in their own cities. They don't care. They are generals on a warpath. Ordinary citizens are simply cannon fodder, pawns to be sacrificed in the conquest of their glorious, new empire. Mass immigration is used to crush all nation states simultaneously so that the natives have no real alternatives to flee to, and no countries can come to the aid of others against the advancing Islamisation.

Finally, we should remember one thing: All of this started with the appeasement of Arab bullies like Arafat in the 1970s, who used oil or terrorism or both as weapons. Europeans should work to get rid of the culture of betrayal, but then we also need to get rid of the culture of appeasement that brought us in this mess in the first place. No money for the Palestinians; not one cent. If they need money, they can ask the Saudis. And no more appeasement of or deals with Islamic terrorists. It was "dialogue," the Euro-Arab Dialogue, that created these problems. No more "dialogue." The only way to deal with a bully is to punch him in the nose, and make him back down. That's the only appropriate way to deal with Jihadists.

Added documentation, Feb 2010

AB, email from David Hamilton

The following documents are copies of the minutes to meetings held between former Prime Minister Edward Heath and French President Georges Pompidou in 1971.

The meetings were held in secret and the minutes were classified until former Prime Minister Margaret Thatcher was able to have them released under the Freedom of Information Act in 2008/2009.

They contain exhaustive text which will take the reader into the minds of two men who decided the fate of British and French politics between them without reference to the British and French people. The people were never made aware of their plans which led to the steady erosion of British and French sovereignty under consecutive staged treaties that would span 40 years, culminate in The Lisbon Treaty, and would later evidence the total breakdown and disorder of British and French society along with its economic, political, and military powers, and its foreign affairs.

So deep was the conspiracy between Heath and Pompidou, and soon thereafter PM Harold Wilson along with figures then and since of the establishment, that it is inconceivable that their plans were not at any time revealed to Her Majesty Queen

Elizabeth. However, the outcome of the discussions did not only affect France and Britain's policies in the decades to come. The policies were adopted as default by other Western European countries with lesser ideological and cultural confidence and significance. France and Britain were the cultural and political locomotives in Western Europe and it is generally well known that other Western European countries mimicked them and continue to mimick them down to the last detail.

The following documents will prove how the two most powerful European leaders laid the foundation for multiculturalism and Islamisation in Western Europe and did absolutely everything they could to prevent the peoples of Europe from learning the truth about this conspiracy for the next 40 years:

1. <http://www.scribd.com/doc/25965684/710520-Pompidou-Heath-Summit-Session-1-1000-1255>
2. <http://www.scribd.com/doc/25965641/710521-Pompidou-Heath-Summit-Session-3-1000-1300>
3. <http://www.scribd.com/doc/25965492/710521-Pompidou-Heath-Summit-Session-3-1-Lunch-PREM-15-372-54-55>
4. <http://www.scribd.com/doc/25965380/710521-Pompidou-Heath-Summit-Session-4-1600-1820>
5. <http://www.scribd.com/doc/25965182/710521-Record-of-Conclusions-Agreed-Minute>
6. <http://www.scribd.com/doc/25965065/710609-Soames-Despatch>

Source:

<http://www.brusselsjournal.com/node/3590>

1. <http://www.brusselsjournal.com/node/3590>
2. <http://www.brusselsjournal.com/node/2018>
3. <http://www.brusselsjournal.com/node/2773>
4. <http://www.ansamed.info/en/top/ME13.YAM11282.html>
5. <http://euobserver.com/9/26293>
6. <http://www.israelnationalnews.com/News/News.aspx/127247>
7. <http://www.brusselsjournal.com/node/129>
8. http://ec.europa.eu/external_relations/euromed/meda.htm
9. http://ec.europa.eu/world/enp/documents_en.htm
10. <http://www.dr.dk/Nyheder/Indland/2008/09/17/014216.htm>
11. <http://gatesofvienna.blogspot.com/2008/05/slouching-towards-vienna.html>
12. <http://www.brusselsjournal.com/node/2097>
13. <http://www.brusselsjournal.com/node/3273>
14. <http://www.brusselsjournal.com/node/1893>
15. <http://www.dailyexpress.co.uk/posts/view/65628>
16. <http://eureferendum.blogspot.com/2007/07/shock-waves.html>

2.3 Ten Reasons to Get Rid of the European Union

1. The EU Promotes Crime and Instability

The EU does not protect the peace in Europe. On the contrary, it undermines stability in the continent by dismantling border controls at a time of the greatest population movements in human history, with many migrants coming from politically unstable countries whose instability spills over to European states. Through its senseless immigration policies, the EU could become partly responsible for triggering civil wars in several European countries. Maybe it will be remembered as the “peace project” which brought war.

The European Union has created a borderless region from Greece to France and from Portugal to Finland, yet the citizens of these countries still pay most of their taxes to nation states whose borders are no longer upheld. It is ridiculous to pay up to half of your income to an entity that no longer controls its own territory or legislation. Unless national borders are re-established, the citizens of EU member states no longer have any obligation to pay taxes.

The EU promotes a ridiculous amount of laws and regulations, yet street crime largely goes unpunished and is growing increasingly common. Laws are used to punish the law-abiding while real criminals rule the streets, although this flaw is admittedly shared with many national governments. The EU makes a mockery out of the social contract every single day. As the authorities from Berlin via Amsterdam to London and Rome fail to uphold law and order, citizens have not just the right, but the duty to arm themselves in order to protect their property and the lives of their loved ones.

It is quite possible that we could indeed benefit from some form of European cooperation in defence of a shared civilisation, but not in the form of the EU as it is today. The EU is not about cooperation for protecting the best interests of Europeans; it is about turning the entire continent into a Multicultural theme park while the natives get culturally deconstructed and demographically crushed. The EU is a large-scale social experiment conducted on hundreds of millions of people. It is not about economics of scale, it is about stupidity of scale.

The EU does not give Europeans a “voice” on the international arena. It’s a bureaucratic monster at best, a dangerous Utopian project at worst. It makes our enemies take us less seriously, not more. It is not about giving anybody a voice; it is about silencing the voices we already have, by depriving us of any say regarding our future and the destinies of our peoples.

2. The EU Weakens Europe’s Cultural Defences

The EU is systematically surrendering the continent to our worst enemies. When French, Dutch and Irish voters rejected the EU Constitution, the EU elites moved on as if nothing had happened. When the Islamic world says that the EU should work to eradicate “Islamophobia,” they immediately consent to do this. When an organisation ignores the interests of its own people yet implements the interests of that people’s enemies, that organisation has become an actively hostile entity run by a corrupt class of abject traitors. This is what the EU is today.

The EU is deliberately destroying the cultural traditions of member states by flooding them with immigrants and eradicating native traditions. This is a gross violation of the rights of the indigenous peoples across an entire continent. Europe has some of the richest cultural traditions on the planet. To replace this with sharia barbarism is a crime against humanity. The European Union is currently the principal (though not the only)

motor behind the Islamisation of Europe, perhaps the greatest betrayal in this civilisation's history. Appeasement of Islam and Muslims is so deeply immersed into the structural DNA of the EU that the only way to stop the Islamisation of the continent is to get rid of the EU. All of it.

3. The EU Promotes a Bloated Bureaucracy

A study released by the organisation Open Europe[1] in August 2008 found that the EU employs an "army" of bureaucrats, and that the actual number of individuals required to run the EU is close to 170,000 — more than 7 times the 23,000 figure sometimes cited by the Commission.

According to them, "The legislative process of the EU is an extremely complex and opaque system, making it very difficult to identify how many people are actually involved in formulating, implementing and overseeing legislation. However, research by Open Europe, using limited available information, shows that just to draft and work out how to implement legislation the EU requires a bureaucratic staff of around 62,026 people. This figure reveals where the EU's real legislative work is actually done: in committees, behind closed doors and out of the public eye. Most of the work takes place away from the core institutions within Expert Groups, Council Groups, and what are known as Comitology committees."

Notice how this closed and secretive process of drafting legislation for half a billion people resembles that of a dictatorship. The EU follows a strategy of hide in plain sight and conceals the real power behind layers of bureaucratic complexities. This strategy was also followed with the drafting of the ridiculously long European Constitution.

If somebody presented you with a contract of hundreds of pages of more or less incomprehensible technical language which was to govern all aspects of your life and that of your children and grandchildren, and that person told you to just take his word for it that it is good and could you please sign on the dotted line, would you have accepted it? That is essentially what the EU has done regarding the fate of an entire continent, not just a single family. When some annoying people, such as the Dutch and the Irish, were unkind enough not to consent blindly to their new serfdom, the EU decided that they were bound by the contract they just rejected, anyway. It's arrogance on a monumental scale, if not plain treason.

The EU is not yet a totalitarian entity, but it holds all the tools it needs to in order to become one. It has managed to corrupt the national elites to sell out the freedom of their peoples by inviting them to take part in the world's largest racket, paid for by European taxpayers. The growing pan-European nanny state now interferes with every aspect of social and economic life, governed by an unaccountable and often hostile minority of social engineers who wish to impose their way of thinking on the majority.

4. Excessive Regulation and Centralisation is bad for Freedom and for Prosperity

Europe once became a dynamic continent thanks to competition at all levels. It is now virtually impossible to find a sector of society that is untouched by the often excessive EU regulations. The EU functions as a huge superstate centrally directed by statist obsessed by regulations. They have learnt little from history, where central planning has been an almost universal failure. Here is what Nathan Rosenberg and L.E. Birdzell Jr. say in *How The West Grew Rich: The Economic Transformation Of The Industrial World*:

"Initially, the West's achievement of autonomy stemmed from a relaxation, or a weakening, of political and religious controls, giving other departments of social life the

opportunity to experiment with change. Growth is, of course, a form of change, and growth is impossible when change is not permitted. Any *successful* change requires a large measure of freedom to experiment. A grant of that kind of freedom costs a society's rulers their feeling of control, as if they were conceding to others the power to determine the society's future. The great majority of societies, past and present, have not allowed it. Nor have they escaped from poverty."

Moreover, "Western technology developed in the special context of a high degree of autonomy among the political, religious, scientific, and economic spheres of social life. Is this high degree of autonomy indispensable to the successful application of technology to economic welfare? Few Western scientists would disagree with the proposition that a high degree of autonomy of the scientific sphere from political or religious control is essential to scientific advance. It is almost as clear that a similar autonomy, in much the same degree, is essential to the economic process of translating scientific advances into goods and services. The technological capability of a society is bound to be degraded if control of either scientific inquiry or innovation is located at points of political or religious authority that combine an interest in controlling the outcome of technological development with the power to restrict or direct experiment. In all well-ordered societies, political authority is dedicated to stability, security, and the status quo. It is thus singularly ill-qualified to direct or channel activity intended to produce instability, insecurity, and change."

The European Union cannot be anything but anti-liberty because it concentrates far too much power in a centralised bureaucratic system that is almost impossible for outsiders to understand. As the Austrian economist Friedrich Hayek warned in *The Road to Serfdom*:

"To imagine that the economic life of a vast area comprising many different people can be directed or planned by democratic procedure betrays a complete lack of awareness of the problems such planning would raise. Planning on an international scale, even more than is true on a national scale, cannot be anything but a naked rule of force, an imposition by a small group on all the rest of that sort of standard and employment which the planners think suitable for the rest."

5. The Lack of a Real Separation of Powers in the EU Invites Abuse of Power

We should study the work of the great eighteenth century French thinker Montesquieu, who admired the British political system. He advocated that the executive, legislative and judicial branches of government should be assigned to different bodies, where each of them would not be powerful enough to impose its will on society. This is because "constant experience shows us that every man invested with power is apt to abuse it, and to carry his authority as far as it will go." This separation of powers is almost totally absent in the European Union, where there is weak to non-existent separation between the legislative, the executive and the judicial branches, and where all of them function without the consent of the public. In short, a small number of people can draft and implement laws without consulting the people, and these take precedence over the laws passed by elected assemblies. This is a blueprint for a dictatorship.

In 2007, former German president Roman Herzog warned that parliamentary democracy was under threat from the EU. Between 1999 and 2004, 84 percent of the legal acts in Germany — and the majority in all EU member states — stemmed from Brussels. According to Herzog, "EU policies suffer to an alarming degree from a lack of democracy and a de facto suspension of the separation of powers." Despite this, the EU was largely a non-issue during the 2005 German elections. One gets the feeling that the real issues of substance are not subject to public debate. National elections have become an increasingly empty ritual. The important issues have already been settled beforehand

behind closed doors.

Free citizens should obey laws that are passed with the best long-term interests of their nation and people in mind. Most of the laws within the EU's area are no longer passed by elected national representatives, but by unaccountable EU bureaucrats, some of whom could potentially have been bought and paid by our Islamic enemies with Arab oil money. As such, the citizens of these nations no longer have any obligation to obey these laws.

As Montesquieu warned, "When the legislative and executive powers are united in the same person, or in the same body of magistrates, there can be no liberty; because apprehensions may arise, lest the same monarch or senate should enact tyrannical laws, to execute them in a tyrannical manner." He also stated that "Useless laws weaken the necessary laws." The current problem with the EU is not just the content of laws and the way they are drafted and passed, but also their sheer volume. Law-abiding citizens are turned into criminals by laws regulating speech and behaviour, while real criminals rule the streets in our cities. This situation will either lead to a police state, to a total breakdown in law and order, or both.

6. The Lack of Transparency Leaves the EU Vulnerable to Hostile Infiltration

In order to have a system with government under public control, you need accountability and transparency. The EU fails miserably on both accounts. The reason why European leaders could commit a betrayal as large as the creation of Eurabia is not only because EU authorities are not formally subjected to the popular will, but just as much because they have made the decision-making process incredibly complicated and moved real power out of the public view.

There is every reason to believe that some of those claiming to be our representatives have been bribed and/or blackmailed by Muslim countries and other enemies to implement agendas hostile to our interests. No system is perfect, but a closed and non-transparent system such as the EU is particularly vulnerable to infiltration from outsiders and hostile foreign interests.

The "anti-discrimination laws" we now see in Western Europe are an indication that the democratic system no longer works as intended. These laws come from a small group of self-appointed leaders who respond to pressure from the Islamic world, not from their own people. The European political elites increasingly risk being seen as collaborators and puppets for our enemies because that's in many cases how they act.

7. The EU Leads to Less Freedom of Speech

The EU does nothing to promote freedom in Europe, but rather spends a great deal of time trying to stamp out what's left of it. The EU, in cooperation with Islamic countries, is rewriting school textbooks across the European continent to present a more "positive" image of Islam. The EU increasingly views the media and the education system simply as a prolonged arm of the state. This is the hallmark of a totalitarian state, which is what the EUSSR is gradually becoming. One gets the feeling that the EU's concept of a "united Europe" means one nation, one people — and one allowed opinion. It is tempting to say one allowed religion as well: Islam.

According to British writer Daniel Hannan[2], "Eurocrats instinctively dislike spontaneous activity. To them, 'unregulated' is almost synonymous with 'illegal'. The bureaucratic mindset demands uniformity, licensing, order. Eurocrats are especially upset because many bloggers, being of an anarchic disposition, are anti-Brussels. In the French, Dutch and Irish referendums, the MSM [mainstream media] were uniformly pro-treaty, whereas

internet activity was overwhelmingly sceptical. Bruno Waterfield recently reported on a secret Commission report about the danger posed by online libertarians: 'Apart from official websites, the internet has largely been a space left to anti-European feeling. Given the ability to reach an audience at a much lower cost, and given the simplicity of the No campaign messages, it has proven to be easily malleable during the campaign and pre-campaign period.' The EU's solution? Why, to regulate blogs!"

At the time of writing, it looks like the most radical proposals to regulate the blogosphere and independent websites have been watered down for now, but there is no doubt that the EU will make new attempts to censor the Internet, especially since the organisation has successfully bribed much of the traditional media. The EU has encouraged pan-European laws against "racism and hate speech." Every single action the EU has taken vis-à-vis these subjects have led to more restrictions of free speech, online and offline. There is no reason not to expect that trend to continue, especially since the EU tries consistently to placate Muslims and other immigrant groups in every way possible. The EU's attempts to crush dissent and silence criticism of its ideas will become increasingly aggressive and hard to ignore.

8. The EU Fails to Consult its Citizens and Insults Them When Doing So

The Irish referendum in 2008 on the proposed EU Constitution/ Lisbon Treaty is a powerful testimony to the evil nature of the European Union. Before the referendum, a number of EU leaders made it perfectly clear that the Lisbon Treaty was virtually identical to the European Constitution which had been rejected by Dutch and French voters in 2005, and which should then presumably have been dead.

Former French President Valéry Giscard d'Estaing (the chief drafter of the Constitution) said[3]: "the proposals in the original constitutional treaty are practically unchanged. They have simply been dispersed through old treaties in the form of amendments. Why this subtle change? Above all, to head off any threat of referenda by avoiding any form of constitutional vocabulary." D'Estaing also said[4]: "Public opinion will be led to adopt, without knowing it, the proposals that we dare not present to them directly... All the earlier proposals will be in the new text, but will be hidden and disguised in some way." Spanish PM José Luis Rodríguez Zapatero said[5]: "We have not let a single substantial point of the Constitutional Treaty go..." Italian President Giorgio Napolitano said[6]: "Those who are anti-EU are terrorists. It is psychological terrorism to suggest the specter of a European superstate."

Irish Prime Minister Brian Cowen admitted that he had not read the Lisbon Treaty in full, but nonetheless assured his people that it was good and that Irishmen should vote "yes" based on this assurance. He said that voters were being asked to give the EU a "more effective and efficient decision-making process."

If a dictator decides to ignore the opinion of everybody else and implement policies as he sees fit without consulting anybody, this could be seen as a "more efficient" decision-making process from a certain point of view. Is it this kind of "efficiency" the EU is promoting? Mr. Cowen doesn't say, but it's tempting to speculate that the answer is "yes." According to the words and actions of the EU elites, the will of the people is merely an annoying speed bump which slows down the implementation of their supremely enlightened policies.

After[7] the referendum, when it was clear that the Irish would have none of this trick, the Irish EU Commissioner Charlie McCreevy[8] revealed that he had not read the Lisbon Treaty himself: "I would predict that there won't be 250 people in the whole of the 4.2 million population of Ireland that have read the treaties cover-to-cover. I further predict that there is not 10 percent of that 250 that will understand every section and

subsection," he said. "But is there anything different about that?" said the Commissioner, adding: "Does anyone read the finance act?" referring to the lengthy documents he drew up when he was finance minister in Ireland.

Let us repeat this again. This man stated — probably correctly — that not more than a couple of dozen people among millions of citizens actually understood the document they were supposed to vote over, yet he saw nothing inherently wrong with this. The EU Constitution/ Lisbon Treaty would finalise the transfer of authority to a new pan-European superstate with almost unlimited powers to direct the affairs and lives of half a billion people in dozens of countries, from Finland to France and from Ireland to Poland. The Irish responded in the only sensible manner, but European leaders made it perfectly clear that they would press on with the project of dismantling European nation states regardless of popular resistance.

French President Sarkozy and German Chancellor Merkel issued a joint statement[9] saying they "hope that the other member states will continue the process of ratification." The German Foreign Minister Frank-Walter Steinmeier[10] said: "The ratification process must continue. I am still convinced that we need this treaty." The British Foreign Secretary David Miliband said[11] the UK would press on with ratification: "It's right that we continue with our own process."

The President of the European Parliament Hans-Gert Pöttering stated[12]: "The ratification process must continue" because "the reform of the European Union is important for citizens, for democracy and for transparency." In other words: The reason the EU is tossing aside the verdict of the Irish people, as well as the French and Dutch people and numerous others who never got the chance to voice their opinion at all, is for "democracy."

According to writer Martin Helme[13], it was always clear that the power elites were not going to accept an Irish "no." After the first shock they would simply continue carrying out plan A:

"One of the most disgusting and outrageous talking points already being peddled by the Eurocrats and their friends in the liberal mainstream media is that 862,415 Irish voters have no right to block the desired goal of some 450 million Europeans. This distortion of truth should never go unchallenged. First of all, those few million Irish were actually the only citizens in Europe who were asked for their opinion. The rest of the 446 or so millions were never consulted. How can any politician claim that their voters want the ratification of EU constitution/Lisbon Treaty when the entire political class emphatically insisted on not asking the people? In fact, in many countries politicians openly admit that their voters would have done the same as Irish did, i.e. vote against the rotten thing. So it is not the few million Irish voters blocking the will of hundreds of millions of other European voters but very clearly a mass of Irish voters against a few thousand politicians and bureaucrats who make up the European power elite. Secondly, what happened to those 20 million French and Dutch voters who said no to the same document three years ago?"

The European Commission in April 2008[14] presented a new plan aimed at increasing EU citizens' involvement in the decision-making process of the 27-nation bloc, as well as making it more popular. "We must consult citizens," said the Swedish Commissioner Margot Wallström then. She is famous for her remark in 2005[15] that Europeans needed to approve of the proposed EU constitution or risk a new Holocaust. Three years after the Constitution was first rejected, and still with no Holocaust in sight, the EU no longer pretends to care about the will of the people. When Eurocrats talk about "consulting" citizens, they mean insulting them.

In April 2008, a demonstration[16] comprising people from all walks of life and from most political parties convened in front of the famous and beautiful Staatsoper (State Opera) in the center of Vienna to demonstrate against the ratification of the Lisbon Treaty in the Austrian Parliament, which later occurred without holding a referendum. Opinion polls showed that a majority of Austrians were convinced, as they should be, that policy is determined almost exclusively by Brussels. They see[17] local politicians as largely deprived of any power, and many of them were reluctant to grant even more power to the unaccountable EU.

Opinion polls from mid-2008[18] showed that a strong majority of the Dutch were still against the Lisbon Treaty, which is virtually identical to the Constitution that Dutch voters rejected by 62 to 38 percent in the 2005 referendum. Nevertheless, the Netherlands is going ahead with the ratification of the Treaty even after the Irish rejected it, said Premier Jan Peter Balkenende. The political elites are determined to continue a process which will essentially dismantle their country and reduce it to just another province in an emerging Eurabian superstate, and openly ignore their own people in order to implement this.

As Helme states, "Governments have willfully and knowingly gone against the will of the people, trashed their own constitutions, corrupted their courts to go along with it (thus trashing the rule of law) and started to govern without the consent of the people or the rule of law....This is the path that leads to revolution. Good! As Thomas Jefferson said 'The tree of liberty must be refreshed from time to time with the blood of patriots and tyrants.' I have a feeling that more and more people around Europe are ready for it. How about the politicians?"

9. The EU Undermines Political Legitimacy and Connections between Rulers and the Ruled

Proponents of the European Union claim that it is a "peace project." But the EU is not about peace, it is about war: A demographic and cultural war waged against an entire continent, from the Black Sea to the North Sea, in order to destroy European nation states and build an empire run by self-appointed bureaucrats. This is supported by national politicians in order to enhance their personal power, by creating a larger political entity than their individual nation states and by ridding themselves of the constraints of a democratic society. The EU corrupts national political elites into betraying the people they are supposed to serve and protect.

Anthony Coughlan[19], a senior lecturer at Trinity College in Dublin, Ireland, states the following in an essay at the EU Observer:

"At a national level when a minister wants to get something done, he or she must have the backing of the prime minister, must have the agreement of the minister for finance if it means spending money, and above all must have majority support in the national parliament, and implicitly amongst voters in the country. Shift the policy area in question to the supranational level of Brussels however, where laws are made primarily by the 27-member Council of Ministers, and the minister in question becomes a member of an oligarchy, a committee of lawmakers, the most powerful in history, making laws for 500 million Europeans, and irremovable as a group regardless of what it does. National parliaments and citizens lose power with every EU treaty, for they no longer have the final say in the policy areas concerned. Individual ministers on the other hand obtain an intoxicating increase in personal power, as they are transformed from members of the executive arm of government at national level, subordinate to a national legislature, into EU-wide legislators at the supranational."

EU ministers see themselves as architects of a superpower in the making, and can free

themselves from scrutiny of their actions by elected national parliaments. According to Coughlan, EU integration represents “a gradual coup by government executives against legislatures, and by politicians against the citizens who elect them.” This process sucks the reality of power from “traditional government institutions, while leaving these still formally intact. They still keep their old names — parliament, government, supreme court — so that their citizens do not get too alarmed, but their classical functions have been transformed.”

The European Union is basically an attempt by the elites in European nations to cooperate on usurping power, bypassing and abolishing the democratic system, a slow-motion coup d'état. Ideas such as “promoting peace” or “promoting free trade” are used as a pretext for this, a bone thrown to fool the gullible masses and veil what is essentially a naked power grab.

The European Union is deeply flawed in its basic construction and cannot function as anything other than an increasingly totalitarian pan-European dictatorship, run by a self-appointed oligarchy. Indeed, there is reason to fear that it was designed that way. Power is concentrated heavily in institutions that are above the formal restraints of public consent and above the informal restraints of public scrutiny and insight. EU authorities can do more or less whatever they want to, as they do in relations to the Arab and Islamic world.

10. The EU Spreads a Culture of Lies and Corruption

After Irish voters had clearly rejected the Lisbon Treaty (the slightly changed, but otherwise recycled version of the European Constitution which had been rejected by French and Dutch voters earlier), Prime Minister Anders Fogh Rasmussen of Denmark said^[20] Ireland should be given less than nine months to work out its problems with the Lisbon Treaty prior to the EU's parliamentary elections in 2009. Rasmussen said that the Irish “no” vote to the Constitution should not stop further work by the Union toward getting the treaty ratified. European leaders, including Danish ones, have generally preferred ratification of the EU Constitution without popular referendums because they know there is powerful resistance to it in many countries. It is meaningless to have referendums if they only come when the elites want them to, and these elites can ignore them if they dislike the results.

Mr. Rasmussen^[21] is a great example of how the European Union slowly destroys the democratic system and is deliberately designed to do so. He is supposed to follow the will of and interests of his people, but his actual loyalty lies with the rest of the EU oligarchy. He's by no means the worst person among EU leaders; this isn't about his personal flaws, it's about the EU and how it eventually corrupts even otherwise decent individuals. A similar thing happened in Portugal, where the PM responded to calls from the leaders of Germany and France, not his own electorate.

The EU is a slow-motion coup d'état conducted against dozens of countries simultaneously. It is designed to empty all organs subjected to the popular will of any real power and transfer it into the hands of an unelected oligarchy. In fact, it's worse than a coup d'état because this traditionally implied that a group of people seized control over a country. The EU doesn't just want to seize control over nation states; it wants to abolish them. The EU is organised treason.

The EU elites react as one when faced with challenges to their power base from ordinary people. MEPs in the European Parliament as well as participants at every level of the EU system get very well-paid jobs for taking part in it, which means that their pragmatic interests lie with maintaining it. Their loyalty has been bought — with the tax money of European citizens — and transferred from their people, where it theoretically should be,

to the EU. The EU is their pension plan, so to speak. When you challenge the EU, you thus constitute a direct threat to their personal financial interests, and they will respond accordingly.

Just like the Soviet Union, the European Union promotes a culture of lies and corruption which starts at the top and filters down to society as a whole. The EU system corrupts virtually everybody who comes close to it. It cannot be reformed, it can only be dismantled.

Sources:

<http://gatesofvienna.blogspot.com/2008/10/ten-reasons-to-get-rid-of-european.html>

1. <http://www.openeurope.org.uk/media-centre/pressrelease.aspx?pressreleaseid=82>
2. http://blogs.telegraph.co.uk/daniel_hannan/blog/2008/09/04/how_the_eu_plans_to_regulate_blogs?com_num=20
3. <http://www.independent.co.uk/opinion/commentators/valeacutery-giscard-destaing-the-eu-treaty-is-the-same-as-the-constitution-398286.html>
4. <http://www.telegraph.co.uk/news/worldnews/1556175/New-treaty-is-just-'constitution-in-disguise'.html>
5. <http://www.la-moncloa.es/Presidente/Intervenciones/Sesionesparlamento/prsp20070627.htm>
6. <http://www.express.co.uk/posts/view/10248/Opponents+of+EU+treaty+accused+of+being+'terrorists'>
7. <http://www.brusselsjournal.com/node/3340>
7. <http://53.554.10.022plusf75:DTpqdck196754674448MA>
8. <http://euobserver.com/18/26342>
9. http://www.monstersandcritics.com/news/europe/news/article_1411115.php/Sarkozy_Merkel_want_treaty_ratification_process_to_go_on_Roundup
10. http://uk.news.yahoo.com/rtrs/20080613/tpl-uk-eu-ireland-germany-43a8d4f_2.html
11. <http://uk.news.yahoo.com/afp/20080613/tuk-ireland-eu-referendum-britain-a7ad41d.html>
12. http://www.spectator.co.uk/the-magazine/features/783601/part_2/eu-leaders-will-never-consult-us-again.thtml
13. <http://www.brusselsjournal.com/node/3350>
14. <http://euobserver.com/9/25909>
15. <http://www.telegraph.co.uk/news/uknews/1489643/Vote-for-EU-constitution-or-risk-new-Holocaust-says-Brussels.html>
16. <http://gatesofvienna.blogspot.com/2008/04/austrians-demonstrate-against-lisbon-in.html>
17. <http://gatesofvienna.blogspot.com/2008/06/austrians-were-not-fooled.html>
18. http://www.nisnews.nl/public/170608_2.htm
19. <http://www.free-europe.org/blog/?itemid=364>
20. <http://www.cphpost.dk/get/107749.html>
21. <http://gatesofvienna.blogspot.com/2008/08/fogh-forget-referendum.html>

2.4 Why the EU Needs to be Destroyed, and Soon

by Fjordman

I know many Americans, and Europeans, too, have more or less written off Western Europe as lost to Islam already. I would be lying if I said that I didn't think this too sometimes, but I do see encouraging signs of a real shift of public opinion beneath the surface. Judging from information such as the extremely high number of Germans hostile to Islam, I still believe, or at least hope, that Europe can be saved. But this hope hinges on the complete and utter destruction of the European Union.

The EU must die, or Europe will die. It's that simple.

Bat Ye'or in her book *Eurabia: The Euro-Arab Axis* is right in pointing out that ordinary Europeans have never voted for this merger with the Islamic world through massive Muslim immigration and multiculturalism. This is closely tied to the rise of the European Union, which has transferred power away from the people and the democratic process to behind-the-scenes deals made by corrupt, Eurabian officials and bureaucrats. Several observers have noted that there is a serious disconnect between the European elites and ordinary citizens. This has been made possible largely because of the EU.

I have heard the term "neo-Feudalism" being used of the EU. There are definitely certain elite groups in Europe who have never really accepted the loss of power to "the mob," and think that everything that's wrong with Europe is because of "populism," what others call democracy. These are also the people who created Eurabia and "forgot" to consult the public about these plans. The EU should be viewed that way, as a de facto, slow-motion abolition of European democracy, disguised as something else. The real force behind the EU is to cede national sovereignty to a new ruling class of bureaucrats, a new aristocracy and a throwback to the pre-democratic age.

I'm really worried about a complete collapse of the democratic system here. It has already been weakened by the EU, the UN etc. for a long time, and now we also have direct physical threats by Muslims to freedom of speech. Ordinary Europeans are no longer in control of our own fates. Sweden has for instance in *reality ceased being a democratic country*[1], in my view. We need to recapture this, or Europe is finished.

In an interview with *Paul Belien of the Brussels Journal in February 2006*[2], former Soviet Dissident Vladimir Bukovksy warned that the European Union is on its way to becoming another Soviet Union, an EUSSR as some people call it. In a speech he delivered in Brussels, Belgium, Mr Bukovsky called the EU a "monster" that must be destroyed, the sooner the better, before it develops into a fully-fledged totalitarian state.

"I am referring to structures, to certain ideologies being instilled, to the plans, the direction, the inevitable expansion, the obliteration of nations, which was the purpose of the Soviet Union. Most people do not understand this. They do not know it, but we do because we were raised in the Soviet Union where we had to study the Soviet ideology in school and at university. The ultimate purpose of the Soviet Union was to create a new historic entity, the Soviet people, all around the globe. The same is true in the EU today. They are trying to create a new people. They call this people "Europeans", whatever that means. According to Communist doctrine as well as to many forms of Socialist thinking, the state, the national state, is supposed to wither away. In Russia, however, the opposite happened. Instead of withering away the Soviet state became a very powerful state, but the nationalities were obliterated. But when the time of the Soviet collapse came these suppressed feelings of national identity came bouncing back and they nearly destroyed the country. It was so frightening."

Bukovksy replied negatively to Belien's question whether the member countries of the EU

didn't join the union voluntarily, and that the integration thus reflects the democratic will of Europeans. "No, they did not. Look at Denmark which voted against the Maastricht treaty twice. Look at Ireland [which voted against the Nice treaty]. Look at many other countries, they are under enormous pressure. It is almost blackmail. It is a trick for idiots. The people have to vote in referendums until the people vote the way that is wanted. Then they have to stop voting. Why stop? Let us continue voting. The European Union is what Americans would call a shotgun marriage."

In 1992, Bukovksy had unprecedented access to Politburo and other Soviet secret documents. According to him, some of these documents "show very clearly" that the idea of turning the European common market into a federal state was encouraged in agreements between the left-wing parties of Europe and Moscow as a joint project which Soviet leader Mikhail Gorbachev in 1988-89 called our "common European home" "Of course, it is a milder version of the Soviet Union. I am not saying that it has a Gulag."

"The idea was very simple. It first came up in 1985-86, when the Italian Communists visited Gorbachev, followed by the German Social-Democrats. They all complained that the changes in the world, particularly after [British Prime Minister Margaret] Thatcher introduced privatisation and economic liberalisation, were threatening to wipe out the achievement (as they called it) of generations of Socialists and Social-Democrats – threatening to reverse it completely. Therefore the only way to withstand this onslaught of wild capitalism (as they called it) was to try to introduce the same socialist goals in all countries at once. Prior to that, the left-wing parties and the Soviet Union had opposed European integration very much because they perceived it as a means to block their socialist goals." From 1985 onwards, "the Soviets came to an agreement with the left-wing parties that if they worked together they could hijack the whole European project and turn it upside down. Instead of an open market they would turn it into a federal state."

In January 1989, during a meeting between Gorbachev, former Japanese Prime Minister Nakasone, former French President Valéry Giscard d'Estaing, American banker Rockefeller and former US Secretary of State Henry Kissinger, Giscard d'Estaing is supposed to have stated that: "Europe is going to be a federal state and you have to prepare yourself for that. You have to work out with us, and the European leaders, how you would react to that, how would you allow the other Eastern European countries to interact with it or how to become a part of it, you have to be prepared." As Vladimir Bukovksy points out, this was 1989, at a time when the [1992] Maastricht treaty had not even been drafted. "How the hell did Giscard d'Estaing know what was going to happen in 15 years time? And surprise, surprise, how did he become the author of the European constitution [in 2002-03]? It does smell of conspiracy, doesn't it?"

Yes, it does smell of conspiracy. This was in the 1980s, when most of the media still dismissed talk of a political union to subdue the nation states as scaremongering. Valéry Giscard d'Estaing, former French President and chief drafter of *the awful EU Constitution*[3], an impenetrable brick of a book of hundreds of pages without any of the checks and balances of the American Constitution, has argued that the rejection of the Constitution in the French and Dutch referendums in 2005 "was a mistake which will have to be corrected." "The Constitution will have to be given its second chance." He said the French people voted No out of an "error of judgement" and "ignorance", and insisted that "In the end, the text will be adopted." "It was a mistake to use the referendum process, but when you make a mistake you can correct it." Mr Giscard d'Estaing indicated that the treaty could be put to French voters in a second referendum, or be ratified by the French parliament. "People have the right to change their opinion. The people might consider *they made a mistake*[4]," he said on a possible new referendum. Anybody who still questions whether Eurabia, the deliberate merger between Europe and the Arab-Islamic world described by Bat Ye'or, is "just a conspiracy theory" should read these statements by Giscard d'Estaing. Why should we be surprised if leading EU officials make

behind-the-scenes agreements that affect the future of the entire continent, yet say nothing about this in public or flat out lie about their agenda? This is how the EU has been working for decades, indeed from the very beginning.

From its inception, European integration has been a French-led enterprise. The fact that the French political elite still want to maintain their leadership over Europe was amply demonstrated during the Iraq war. *President Chirac*[5] famously said in 2003 after Poland, Hungary and the Czech Republic backed the US position "They missed a good opportunity to shut up," adding "These countries have been not very well behaved and rather reckless of the danger of aligning themselves too rapidly with the American position." Jean Monnet, French economist who was never elected to public office, is regarded by many as the architect of European integration. Monnet was a well-connected pragmatist who worked behind the scenes towards the gradual creation of European unity. Richard North, publisher of the blog *EU Referendum*[6] and co-author of the book *The Great Deception: Can the European Union Survive?* together with Christopher Booker, describes how Jean Monnet for years, at least from the 1920s, had dreamed of building a "United States of Europe." Although what Monnet really had in mind was the creation of a European entity with all the attributes of a state, an "anodyne phrasing was deliberately chosen with a view to making it difficult to dilute by converting it into just another intergovernmental body. It was also couched in this fashion so that it would not scare off national governments by emphasising that its purpose was to override their sovereignty." In their analysis of the EU's history, the authors claim that the EU was not born out of WW2, as many people seem to think. It had been planned at least a generation before that.

The Schuman Declaration of 9 May 1950, widely presented as *the beginning of the efforts towards a European Union*[7] and commemorated in "Europe Day," contains phrases which state that it is "a first step in the federation of Europe", and that "this proposal will lead to the realisation of the first concrete foundation of a European federation". As critics of the EU have noted, these political objectives are usually omitted when the Declaration is referred to, and most people do not even know of their existence. A federation is of course a State and "yet for decades now the champions of EC/EU integration have been swearing blind that they have no knowledge of any such plans. EEC/EC/EU has steadily acquired ever more features of a supranational Federation: flag, anthem, Parliament, Supreme Court, currency, laws." The EU founders "were careful only to show their citizens the benign features of their project. It had been designed to be implemented incrementally, as an ongoing process, so that no single phase of the project would arouse sufficient opposition as to stop or derail it." Booker and North calls the European Union "a slow-motion coup d'état: the most spectacular coup d'état in history," designed to gradually and carefully sideline the democratic process and subdue the older nation states of Europe without saying so in public.

In 2005, an unprecedented joint declaration by the leaders of all British political groups in Brussels called for PM Tony Blair to push for an *end the "medieval" practice*[8] of European legislation being decided behind closed doors. Critics claim that the Council of Ministers, the EU's supreme law-making body, which decides two thirds of all Britain's laws (and the majority of laws in all Western European countries), "is the only legislature outside the Communist dictatorships of North Korea and Cuba to pass laws in secret." As one of the signers put it: "We still have this medieval way of making decisions in the EU; people hide behind other member states, and blame them. It increases people's sense of cynicism, but what we need is some straight talking." According to British Conservative politician *Daniel Hannan*[9], this is how the EU was designed. "Its founding fathers understood from the first that their audacious plan to merge the ancient nations of Europe into a single polity would never succeed if each successive transfer of power had to be referred back to the voters for approval. So they cunningly devised a structure where supreme power was in the hands of appointed functionaries, immune to public opinion." "Indeed, the EU's structure is not so much undemocratic as anti-democratic."

Vladimir Bukovksy, too, warns that it looks like we are living in a period of rapid, systematic and very consistent dismantlement of democracy. "Look at this Legislative and Regulatory Reform Bill. It makes ministers into legislators who can introduce new laws without bothering to tell Parliament or anyone." "Today's situation is really grim. Major political parties have been completely taken in by the new EU project. None of them really opposes it. They have become very corrupt. Who is going to defend our freedoms?" He doesn't have much faith in institutions such as the elected, but largely powerless European Parliament, to curtail these developments. "The European Parliament is elected on the basis of proportional representation, which is not true representation. And what does it vote on? The percentage of fat in yoghurt, that kind of thing. It is ridiculous." "It is no accident that the European Parliament, for example, reminds me of the Supreme Soviet. It looks like the Supreme Soviet because it was designed like it. Similarly, when you look at the European Commission it looks like the Politburo," which was the real centre of power in the USSR, unaccountable to anyone, not directly elected by anyone at all.

Another former citizen of the USSR, *Vilius Brazenas*[10], has noted some of these similarities between EU and Soviet institutions, too. "When former Soviet dictator Mikhail Gorbachev visited Britain in 2000, he accurately described the European Union as "the new European Soviet." He said this with obvious approval, since he sees the evolving EU as fulfilling his vision of a "common European home" stretching "from the Atlantic to the Urals," as he described it in his 1987 book *Perestroika*. Mr. Gorbachev is a lifelong Communist." "It is highly significant that a top-level Marxist-Leninist such as Mikhail Gorbachev could find such affinity with Western leaders about a "common European home" and then, 13 years later, approvingly note that that common home was moving ever closer to the Soviet model." "Booker and North write that Belgian Prime Minister Paul-Henri Spaak, known in Europe as "Mr. Socialist," was responsible for convincing his fellow EU founding fathers that "the most effective way to disguise their project's political purpose was to conceal it behind a pretense that it was concerned only with economic co-operation, based on dismantling trade barriers: a 'common market.'"

Meanwhile, the vast and inflated EU bureaucracy puts its tentacles into regulating every conceivable subject in Europe in great detail, not just the percentage of fat in yoghurt. Beer drinkers in Germany were frothing at the mouth during the summer of 2005 over EU plans to make Bavarian barmaids cover up. The aim of the proposed EU directive was to protect them from the sun's harmful rays. But the so-called "*tan ban*"[11] was condemned as absurd by breweries, politicians — and the barmaids. It was eventually withdrawn. In Sweden, most clothes sold in shops contain labels with *washing instructions*[12]. But the labels were viewed at the EU level as a hindrance to free trade, as it was prejudicial to foreign clothes sold in Sweden that don't have the labels. A poll commissioned by the Swedish Consumer Agency showed that eight out of ten Swedes read the washing instructions before they wash new clothes, and six out of ten read them before they buy clothes.

These are examples of the more ridiculous or funny aspects of the EU machinery. But there is also a much more sinister side to it: The promotion of an official, "*Eurabian*" *federal ideology promoting multiculturalism*[13], denouncing all those wanting to preserve their democracy at the nation state level as "xenophobes" and those wanting to limit Third World immigration as "racists." A report from the EU's racism watchdog said Europe must do more to combat racism and "*Islamophobia*.[14]" New anti-discrimination laws to combat Islamophobia are to be enacted, as they already have been in Norway, where Norwegians need to *mount proof of their own innocence*[15] if Muslim immigrants accuse them of discrimination in any form, including discriminatory speech. The EU also wants to promote an *official lexicon*[16] shunning offensive and culturally insensitive terms such as "Islamic terrorism."

EU foreign policy chief *Javier Solana*[17], after the ripples caused in early 2006 by the Muhammad cartoons published in Danish newspaper *Jyllands-Posten*, travelled to the Middle East and made joint statements with Islamic leaders that "freedom of the press entails responsibility and discretion and should respect the beliefs and tenets of all religions." Solana said that he had discussed means to ensure that "religious symbols can be protected". Such steps could materialise through various mechanisms, "and maybe inside the new human rights commission created in the UN", he said. He held talks with Sheikh Mohammed Sayed Tantawi of Al Azhar University, the highest seat of learning in Sunni Islam, and Arab League Secretary-General Amr Moussa. In a meeting with the leader of the Organisation of the Islamic Conference (OIC), Ekmeleddin Ihsanoglu, Solana said that "I expressed our sincere regret that *religious feelings have been hurt*[18]", vowing "to reach out... to make sure that people's hearts and minds are not hurt again." Dutch daily *De Telegraaf* quoted the Dutch state secretary for European Affairs Atzo Nicolai as characterising the appeasing tone used by Mr Solana as "shocking." Only a few years earlier, Mr. Solana, then Secretary General of NATO, *in a speech stated*[19] that "the root cause of conflicts in Europe and beyond can be traced directly to the absence of democracy and openness. The absence of the pressure valve of democratic discourse can lead these societies to explode into violence." The irony that he himself later was trying to curtail the democratic discourse in Europe through the promotion of Islamic censorship and speech codes apparently did not strike him.

Journalist Nidra Poller[20], commenting on the debate prior to the EU Constitution referendum in France, noted other incidents of this deliberate, submissive attitude among EU leaders towards Muslim demands. "The Euro-Mediterranean "Dialogue" is a masterpiece of abject surrender. The European Union functions therein as an intermediate stage of an ominous Eurabian project that calls for a meltdown of European culture and its recasting in a monumental paradise of cultural relativism... that closely resembles the Muslim *oumma*. Isn't this a more accurate vision of what the Union is preparing for its docile citizens? When subversive appeasement hides behind the veil of "Dialogue," what unspeakable ambitions might be dissembled by the noble word "Constitution"?"

Intelligent people have been warning against this development for years. British philosopher Roger Scruton, in books such as *The West and the Rest: Globalisation and the Terrorist Threat*[21] and *England and the Need for Nations*[22], warns that: "We in Europe stand at a turning point in our history. Our parliaments and legal systems still have territorial sovereignty. They still correspond to historical patterns of settlement that have enabled the French, the Germans, the Spaniards, the British and the Italians to say 'we' and to know whom they mean by it. The opportunity remains to recuperate the legislative powers and the executive procedures that formed the nation states of Europe. At the same time, the process has been set in motion that would expropriate the remaining sovereignty of our parliaments and courts, that would annihilate the boundaries between our jurisdictions, that would dissolve the nationalities of Europe in a historically meaningless collectivity, united neither by language, nor by religion, nor by customs, nor by inherited sovereignty and law." "The case against the nation state has not been properly made, and the case for the transnational alternative has not been made at all. I believe therefore that we are on the brink of decisions that could prove disastrous for Europe and for the world, and that we have only a few years in which to take stock of our inheritance and to reassume it."

Czech President Vaclav Klaus[23], an admirer of Ronald Reagan and Margaret Thatcher, has said that the EU enlargement with ten new member states, mostly former Communist countries in Central and Eastern Europe, "increased the EU's democratic deficit." He warned that "The EU has continued – at an accelerated speed – to expand the number of pages of its legislation which now deals with almost every aspect of human life and human activities." Mr Klaus also stressed that the nation-state "is an unsubstitutable guarantor of democracy (opposite to all kinds of 'Reichs,' empires and

conglomerates of states)."

According to Vladimir Bukovksy, "the most likely outcome is that there will be an economic collapse in Europe, which in due time is bound to happen with this growth of expenses and taxes. The inability to create a competitive environment, the overregulation of the economy, the bureaucratisation, it is going to lead to economic collapse." "I have no doubt about it. There will be a collapse of the European Union pretty much like the Soviet Union collapsed. But do not forget that when these things collapse they leave such devastation that it takes a generation to recover. Just think what will happen if it comes to an economic crisis. The recrimination between nations will be huge. It might come to blows. Look to the huge number of immigrants from Third World countries now living in Europe. This was promoted by the European Union. What will happen with them if there is an economic collapse? We will probably have, like in the Soviet Union at the end, so much ethnic strife that the mind boggles." "I think that the European Union, like the Soviet Union, cannot be democratised. Gorbachev tried to democratise it and it blew up. This kind of structures cannot be democratised."

Richard North[24] writes that "If, against all the odds, the Constitution does go ahead, it would be like locking down the lid on a pressure cooker and sealing off the safety valve. The break-up might take a little longer, but it will be explosive when it comes." In the book he co-authored with Christopher Booker, the authors conclude: "Behind the lofty ideals of supranationalism in short, evoking an image of Commissioners sitting like Plato's Guardians, guiding the affairs of Europe on some rarefied plane far above the petty egotisms and rivalries of mere nation states, the project Monnet had set on its way was a vast, ramshackle, self-deluding monster: partly suffocating in its own bureaucracy; partly a corrupt racket, providing endless opportunities for individuals and collectives to outwit and exploit their fellow men; partly a mighty engine for promoting the national interests of those countries who knew how to 'work the system', among whom the Irish and the Spanish had done better than most, but of whom France was the unrivalled master. The one thing above all the project could never be, because by definition it had never been intended to be, was in the remotest sense democratic." They believe this is why the EU is doomed and why it will "leave a *terrible devastation*[25] behind it, a wasteland from which it would take many years for the peoples of Europe to emerge."

I understand concerns that the destruction of the EU could cause "instability" in Europe. It will. But we will probably end up with some "instability" anyway, given the number of Muslims here that the Eurabians have helped in. Besides, if "stability" means a steady course towards Eurabia, I'll take some instability any day. I can't see that we have any choice. The truth is that Europe has got itself into a bad fix, again, and will have some turbulent and painful years and decades ahead regardless of what we do at this point. The choice is between some pain where Europe prevails and pain where Europe simply ceases to exist as a Western, cultural entity.

Some would hope that we could "reform" the EU, keep the "positive" aspects of it and not "throw out the baby with the bath water." I beg to differ. I was naïve, too, once, and thought there were positive aspects to the EU. There aren't, or not nearly enough to keep any of it.

The EU is all bath water, no baby.

Which is why, as Bukovksy says, "the sooner we finish with the EU the better. The sooner it collapses the less damage it will have done to us and to other countries. But we have to be quick because the Eurocrats are moving very fast. It will be difficult to defeat them. Today it is still simple. If one million people march on Brussels today these guys will run away to the Bahamas."

The creation of Eurabia is the greatest act of treason in the history of Western civilisation

for two thousand years, since the age of Brutus and Judas. In Dante Alighieri's *The Divine Comedy*, Brutus and Judas Iscariot were placed in the harshest section of Hell, even below Muhammad. If Dante were alive today, he'd probably make some room for Valéry Giscard d'Estaing and his Eurabian cronies in the Hot Place. The EU elites see themselves as Julius Caesar or Octavian, but end up being Brutus. They want to recreate the Roman Empire on both sides of the Mediterranean, bound together by some vague references to a "shared Greek heritage." Instead, they are creating a civilisational breakdown across much of Western Europe as the barbarians are overrunning the continent. The EU wants to recreate the Roman Empire and ends up creating the second fall of Rome.

Eurabia can only be derailed by destroying the organisation that created it in the first place: **The European Union.**

Sources:

<http://gatesofvienna.blogspot.com/2006/06/why-eu-needs-to-be-destroyed-and-soon.html>

1. <http://www.faithfreedom.org/oped/Fjordman60527.htm>
2. <http://www.brusselsjournal.com/node/865>
3. <http://www.free-europe.org/blog/english.php?itemid=303>
4. <http://euobserver.com/9/21674>
5. <http://euobserver.com/9/20986>
6. <http://www.eureferendum.blogspot.com/>
7. <http://gatesofvienna.blogspot.com/2006/05/another-american-century-or-another.html>
8. <http://www.timesonline.co.uk/tol/news/uk/article563177.ece>
9. <http://www.telegraph.co.uk/opinion/main.jhtml?xml=/opinion/2006/03/20/do2001.xml&sSheet=/opinion/2006/03/20/ixopinion.html>
10. http://www.stopthefaa.org/artman/publish/article_141.shtml
11. <http://www.sky.com/skynews/article/0,,30200-13399577,00.html>
12. <http://www.thelocal.se/article.php?ID=1663>
13. <http://www.jihadwatch.org/dhimmiwatch/archives/010829.php>
14. <http://www.eubusiness.com/Social/051123163159.lgj3o885>
15. <http://fjordman.blogspot.com/2005/05/norwegian-inquisition-sunset-in-land.html>
16. http://littlegreenfootballs.com/weblog/?entry=20045_EU_Ostriches
17. <http://www.metimes.com/articles/normal.php?StoryID=20060214-062639-6847r>
18. <http://euobserver.com/9/20956>
19. <http://www.nato.int/docu/speech/1998/s981112a.htm>
20. <http://www.jihadwatch.org/dhimmiwatch/archives/006392.php>
21. <http://www.morec.com/scruton/>
22. http://www.civitas.org.uk/pubs/Scruton_cs49.php
23. <http://www.brusselsjournal.com/node/893>
24. http://www.iht.com/articles/2004/01/15/ednorth_ed3_.php
25. <http://www.free-europe.org/blog/english.php?itemid=301>
26. <http://51.489.-0.140plusf35:OQrekqx638547721565XB>

2.5 Boycott the United Nations!

By Fjordman

The United Nations Secretary-General Ban Ki-moon condemned [1] Wilder's movie *Fitna* as "offensively anti-Islamic," and said that "There is no justification for hate speech or incitement to violence." Does that mean that the UN is now going to ban the Koran, which does both? As Robert Spencer commented, "What exactly is 'hate speech' about quoting Qur'an verses and then showing Muslim preachers using those verses to exhort people to commit acts of violence, as well as violent acts committed by Muslims inspired by those verses and others?"

Earlier in March [2], the U.N. Human Rights Council, which is dominated by Muslim countries, passed a resolution saying it is deeply concerned about the defamation of religions and urging governments to prohibit it. The only religion specified is Islam. The document was put forward by the Organisation of the Islamic Conference, the largest voting bloc at the UN, sponsored by Saudi money.

I have been saying for a long time that trying to export "democracy" to Islamic countries is pointless. Islam can be compatible with "democracy" in the limited sense of voting rights and majority rule, but this has never automatically implied individual liberty. (See my online booklet *Is Islam Compatible With Democracy?* [3])

It's a sick joke that American soldiers are bleeding literally and American taxpayers financially to export "democracy" to Iraq while Muslims are exporting Sharia to us. Freedom is free speech, that's the simplest, and maybe the truest, definition of it. Muslims are trying to use the UN to limit free speech across the world, which basically means putting the entire world under Islamic rule.

My view of the United Nations [4] is quite clear: It is at best irrelevant. *At best.*

Increasingly, it is turning into an outright enemy, an enemy funded by us but used to attack us. I don't know about anybody else, but I'm goddam tired of sponsoring enemies, at home and abroad. I'm all for boycotting the UN and making it truly irrelevant by bleeding it dry for funds and ultimately withdrawing from it.

Even if we are in a weak phase, which we are, we are still a civilisation of vastly superior resources. Muslims have lots of oil and lots of babies and lots of aggression, but that's all they have. Otherwise, they're a spectacular failure. We need them for very little. They need us for virtually everything. Their greatest flaw is their arrogance. Muslims are arrogant losers.

We should exploit that. We should separate ourselves from the Islamic world as much as possible. They will suffer far more from this than we will. We can start by boycotting the UN, which is now little more than a tool for global sharia, and the Arab Muslims of the West Bank and Gaza, who reinvented themselves as "Palestinians" and started whining at the UN after the Israelis kicked their collective behinds in 1967.

I notice former Malaysian Prime Minister Mahathir Mohamad [5] calls upon Muslims worldwide to boycott Dutch products. I'm all for boycotts of and by Muslims. The more, the merrier. In case somebody forgot, Mr. Mahathir held the notorious speech at the OIC conference in 2003, where he said that the Jews rule the world by proxy and that Muslims must unite to achieve a final victory over them. Not everybody remembers that he also boasted about the age when "Europeans had to kneel at the feet of Muslim scholars in order to access their own scholastic heritage."

Somebody should remind him that the so-called "golden age" of Islam was a result of a

still-majority or near-majority non-Muslim population. As soon as that majority declined, due to harassment and discrimination, the Islamic world never recovered. Malaysia is sometimes portrayed as an economically successful Muslim nation, but that is because it only recently became majority Muslim and still has a large Chinese, Indian and other non-Muslim minority. Since Islam is becoming more aggressive and Muslims increase discrimination of non-Muslims, infidels will leave, and Malaysia will gradually be reduced to just another failed sharia state.

We should all be happy if Muslims boycott us. When they feel so unwelcome that they stop coming to our countries, we will be making progress.

Recommendations for the West - 1[6]

The best way to deal with the Islamic world is to have as little to do with it as possible. We should ban Muslim immigration. This could be done in creative and indirect ways, such as banning immigration from nations with citizens known to be engaged in terrorist activities. We should remove all Muslim non-citizens currently in the West. We should also change our laws to ensure that Muslim citizens who advocate sharia, preach Jihad, the inequality of "infidels" and of women should have their citizenship revoked and be deported back to their country of origin.

We need to create an environment where the practice of Islam is made difficult. Muslim citizens should be forced to either accept our secular ways or leave if they desire sharia. Much of this can be done in a non-discriminatory way, by simply refusing to allow special pleading to Muslims. Do not allow the Islamic public call to prayer as it is offensive to other faiths. All children, boys and girls should take part in all sporting and social activities of the school and the community. The veil should be banned in all public institutions, thus also contributing to breaking the traditional subjugation of women. Companies and public buildings should not be forced to build prayer rooms for Muslims. Enact laws to eliminate the abuse of family reunification laws. Do not permit major investments by Muslims in Western media or universities.

Right now, Muslims can enjoy the best of both worlds: Following medieval religious laws while enjoying the fruits of 21st century civilisation. We need to drive home the utter failure of the Islamic model by making sure that Muslims should no longer be able to count on permanent Western or infidel aid in their overpopulated, self-primitivised states, whose very unviability they are prevented from recognising by this constant infusion of aid.

I'm advocating isolating the Islamic world, not the West. Even if we cannot allow all non-Muslims to freely settle in our lands, this does not mean that they have to be our enemies. Jihad is being waged against the entire non-Muslim world, not just the West. We should stop trying to "win the hearts and minds" of Muslims and start reaching out to non-Muslims.

For Europe, the most important thing to do right now is to dismantle the European Union in its present form, and regain national control over our borders and our legislation. The EU is so deeply flawed as an organisation, and so heavily infiltrated by Eurabian and pro-Islamic thinking that it simply cannot be reformed. And let's end the stupid support for the Palestinians that the Eurabians have encouraged, and start supporting our cultural cousin, Israel.

Why the Future May Not Belong to Islam[7]

Seaborne believes that many people are underestimating the strength of Islam. Perhaps, but some observers, including Mark Steyn and Mr. Seaborne himself, may be overestimating it. They overlook the fact that Islam has many weaknesses, too. Don't underestimate your enemy. Muslims should be credited for making clever use of our weaknesses, but this "we're all doomed and have already lost" theme is overblown.

We should implement a policy of containment of the Islamic world. I'm not saying that containment is all that we will ever need to do, but it is the very minimum that is acceptable. Perhaps the spread of nuclear weapons technology, the darkest side of globalisation, will trigger a large-scale war with the Islamic world at some point. The only way to avoid this is to take steps, including military ones, to deprive Muslims of such technology.

We should restrain their ability to hurt us physically. We can't prevent it completely, but we should limit it as much as possible. Muslims try to wear us down through terrorism. They should be worn down through mockery and criticism. We should also make clear that for every Islamic terror attack we will increase these efforts, which Muslims fear more than our weapons. It's the new balance of terror.

Dr Koenraad Elst, one of Belgium's best orientalists, thinks "Islam is in decline, despite its impressive demographic and military surge" — which according to Dr Elst is merely a "last upheaval." He acknowledges, however, that this decline can take some time (at least in terms of the individual human life span) and that it is possible that Islam will succeed in becoming the majority religion in Europe before collapsing.

Dalrymple is probably correct when he says that Islam is an "all or nothing" religion which cannot be secularised. The future may not belong to Islam, as Mark Steyn suggests. It is conceivable that Islam in some generations will cease to be a global force of any significance, but in the meantime it will be a constant source of danger to its neighbours, from Europe through India to Southeast Asia. The good news is that Islam may not be able to achieve the world dominance it desires. The bad news is that it may be able to achieve a world war. We can only cage it as much as possible and try to prevent this from happening.

Farewell to the United Nations?[8]

Historian David Littman is a representative to the United Nations (Geneva) of the Association for World Education. He has spent years tracking the rise of Islamic influence at the UN. According to him, "In recent years, representatives of some Muslim states have demanded, and often received, special treatment at the United Nations." "As a result, non-diplomatic terms such as 'blasphemy' and 'defamation of Islam' have seeped into the United Nations system, leading to a situation in which non-Muslim governments accept certain rules of conduct in conformity with Islamic law (the Shari'a) and acquiesce to a self-imposed silence regarding topics touching on Islam."

I do not have all the answers to how such a post-UN world will be like. The most important principle at this point is to isolate and contain the Islamic world. We simply cannot allow our enemies to have direct influence over our policies, which they partly do have through the UN. Is it unrealistic to talk about the collapse of the EU and the UN? I don't know. The UN was created in the aftermath of WW2. It survived the Cold War, but now we are rapidly entering into a new world war. My bet is that we will see huge changes in world affairs in the near future, at least as large as those which laid the foundations for the UN to begin with. Whatever usefulness the UN may have had was lost

decades ago. It is today of little use to us, but of significant use to our enemies. The time has come to say farewell to the United Nations.

Source:

<http://gatesofvienna.blogspot.com/2008/03/boycott-united-nations.html>

1. <http://www.jihadwatch.org/dhimmiwatch/archives/020483.php>
2. <http://www.jihadwatch.org/dhimmiwatch/archives/020474.php>
3. <http://gatesofvienna.blogspot.com/2007/04/is-islam-compatible-with-democracy.html>
4. <http://www.brusselsjournal.com/node/1224>
5. <http://www.jihadwatch.org/archives/020490.php>
6. <http://gatesofvienna.blogspot.com/2006/10/recommendations-for-west.html>
7. <http://www.globalpolitician.com/22560-islam>
8. <http://www.brusselsjournal.com/node/1224>

Recommendations for the West - 2

By Fjordman

The West at the beginning of the 21st century suffers from a lack of cultural confidence, and is in some ways engaged in an internal struggle over the very meaning of Western civilisation. This ideological "war within the West" has helped paved the way for the physical "war against the West" that is waged by Muslim Jihadists, who quite correctly view our creed of multiculturalism and our acceptance of Muslim immigration as signs of weakness and that the West has lost contact with its civilisational roots.

Perhaps we will need to resolve the war within the West before we can win the war against the West. When Westerners such as Polish king Jan III Sobieski led their troops to victory over the Turks in the 1683 Battle of Vienna, they fought for a number of reasons: Their country, their culture and their religion, among other things. People don't just need to live, they need something to live for, and fight for. We are against Islam. What are we for?

I would suggest that one thing we should fight for is national sovereignty and the right to preserve our own culture and pass it on to future generations. We are fighting for the right to define our own laws and national policies, not to be held hostage by Leftist Utopians, unaccountable NGOs, transnational progressives or self-appointed guardians of the truth.

Multiculturalism is wrong because not all cultures are equal. However, it is also championed by groups with a hidden agenda. Multiculturalism serves as a tool for ruling elites to fool people, to keep them from knowing that they have lost, or deliberately vacated, control over national borders. Leftists who dislike Western civilisation use multiculturalism to undermine it, a hate ideology disguised as tolerance. Multiculturalism equals the unilateral destruction of Western culture, the only unilateral action the West is allowed to take, according to some.

There are also some libertarian right-wingers and Big Business supporters who see man only as the sum of his economic functions, as cheap labour and consumers, homo economicus. They believe not only in free markets but in free migration, and tend to downplay the impact of culture. They are Islam's useful idiots in the fight against the West.

Although Leftists tend to be more aggressive, perhaps the dividing line in the internal struggle in the West is less between Left and Right, and more between those who value national sovereignty and Western culture and those who do not. End the nonsense of

“celebrating our differences.” We should be celebrating our sameness and what binds us together. We should clean up our history books and school curricula, which have been infected with anti-Western sentiments.

Upholding national borders has become more important in the age of globalisation, terrorism and mass-migration, not less. No nation regardless of political system can survive the loss of its territorial integrity, but democratic states especially so. Those who don't want to uphold national borders are actually tearing down the very foundations of our democratic system, which is based on nation states. The fight for national sovereignty is thus the fight for democracy itself, since nobody has so far made any convincing model of a supranational democracy.

We now have a political class who spend much of their time travelling around the world. They no longer feel as attached to the people they are supposed to represent as they did in the past. This is perhaps inevitable, but it feeds a growing sense of detachment between ordinary people and their supposed leaders. We need to remind our political leaders that we pay national taxes because they are supposed to uphold our national borders. If they can't do so, the social contract is breached, and we should no longer be required to pay our taxes. National taxes, national borders could become a new rallying cry.

The West is declining as a percentage of world population, and in danger of being overwhelmed by immigration from poorer countries with booming populations. Westerners need to adjust our self-image to being less dominant in the 21st century. As such, we also need to ditch Messianic altruism: The West must first of all save itself. We have no obligation to “save” the Islamic world, and do not have the financial strength nor the demographic numbers to do so even if we wanted to. We are not all-powerful and are not in the position to help all of the Third World out of poverty, certainly not by allowing all of them to move here.

We should take a break from massive immigration, also non-Muslim immigration, for at least a generation, in order to absorb and assimilate the persons we already have in our countries. The West is becoming so overwhelmed by immigration that this may trigger civil wars in several Western nations in the near future. We already have massive Third World ghettos in our major cities. Future immigration needs to be more strictly controlled and ONLY non-Muslim.

This immigration break should be used to demonstrate clearly that the West will no longer serve as the dumping ground for excess population growth in other countries. We have cultures and countries that we'd like to preserve, too, and cannot and should not be expected to accept unlimited number of migrants from other countries. But above all, the West, and indeed the non-Muslim world, should make our countries Islam-unfriendly and implement a policy of containment of Dar al-Islam. This is the most civilised thing we can do in order to save ourselves, but also to limit the loss of life among both Muslims and non-Muslims.

The best way to deal with the Islamic world is to have as little to do with it as possible. We should ban Muslim immigration. This could be done in creative and indirect ways, such as banning immigration from nations with citizens known to be engaged in terrorist activities. We should remove all Muslim non-citizens currently in the West. We should also change our laws to ensure that Muslim citizens who advocate sharia, preach Jihad, the inequality of “infidels” and of women should have their citizenship revoked and be deported back to their country of origin.

We need to create an environment where the practice of Islam is made difficult. Muslim citizens should be forced to either accept our secular ways or leave if they desire sharia. Much of this can be done in a non-discriminatory way, by simply refusing to allow special

pleading to Muslims. Do not allow the Islamic public call to prayer as it is offensive to other faiths. All children, boys and girls should take part in all sporting and social activities of the school and the community. The veil should be banned in all public institutions, thus also contributing to breaking the traditional subjugation of women. Companies and public buildings should not be forced to build prayer rooms for Muslims. Enact laws to eliminate the abuse of family reunification laws. Do not permit major investments by Muslims in Western media or universities.

As columnist Diana West of the Washington Times points out, we should shift from a pro-democracy offensive to an anti-sharia defensive. Calling this the War on Terror was a mistake. Baron Bodissey of the Gates of Vienna blog suggests the slogan "Take Back the Culture," thus focusing on our internal struggle for Western culture. Another possibility is "War against Apartheid." Given sharia's inequality between men and women, Muslims and non-Muslims, it is de facto a religious apartheid system. Calling this struggle a self-defence against apartheid would make it more difficult for Western Leftists to dismiss it.

People should be educated about the realities of Jihad and sharia. Educating non-Muslims about Islam is probably more important than educating Muslims, but we should do both. Authorities or groups of dedicated individuals should engage in efforts to explain the real nature of Islam, emphasising the division that Islam teaches between Believer and Infidel, the permanent state of war between Dar al-Islam and Dar al-Harb and the uses of taqiyya and kitman as religious deception.

As Hugh Fitzgerald of Jihad Watch says, we should explain why Islam encourages despotism (because allegiance is owed the ruler as long as he is a Muslim), economic paralysis, intellectual failure (the cult of authority, the hostility to free and skeptical inquiry) in Islamic countries. Let Muslims themselves begin slowly to understand that all of their political, economic, social, intellectual, and moral failures are a result of Islamic teachings.

Fitzgerald also suggests exploiting the many fissures within the Islamic world: Divide and conquer. Divide and demoralise. Islam has universalist claims but it talks about Arabs as the "best of peoples," and has been a vehicle for Arab supremacy, to promote Arab conquest of wealthier non-Arab populations. In addition to divisions between Arabs and non-Arab Muslims, we have the sectarian divide between Shias and Sunnis, and the economic division between the fabulously rich oil-and-natural-gas Arab states and the poor Muslim countries.

Both the sectarian and economic divisions within Islam are best exploited by Infidels doing nothing. If the Western world stops giving Egypt, Pakistan, Jordan, and the Palestinians "aid," which has in reality become a disguised form of Jizyah, this will clear the psychological air. And it will force the poorer Arabs and other Muslims to go to the rich Arabs for support.

Right now, Muslims can enjoy the best of both worlds: Following medieval religious laws while enjoying the fruits of 21st century civilisation. We need to drive home the utter failure of the Islamic model by making sure that Muslims should no longer be able to count on permanent Western or infidel aid in their overpopulated, self-primitivised states, whose very unviability they are prevented from recognising by this constant infusion of aid.

We also need to deprive Arabs and Muslims as much as possible of Western Jizya in other forms, which means ending foreign aid, but also institute a Manhattan Project for alternative sources of energy, in order to become independent of Arab oil.

And as Mr. Fitzgerald asks: "What would the rich Arabs do if the Western world decided to seize their property in the West as the assets of enemy aliens, just as was done to the

property owned not only by the German government, but by individual Germans, during World War II? And what would they do if they were to be permanently deprived of easy access to Western medical care?"

We also need to reject the "You turn into what you fight" argument. The British, the Americans and the Canadians didn't become Nazis while fighting Nazi Germany, did they? The truth is, we will become like Muslims if we don't fight them and keep them out of our countries, since they will subdue us and Islamise us by force. The West isn't feared because we are "oppressors," we are despised because we are perceived as being decadent and weak.

Yes, we should implement a policy of containment of the Islamic world, but for this to work we will sometimes have to take military action to crush Arab pretensions to grandeur. The Buddhists of Central Asia undoubtedly held the "moral high ground" in relations to Muslims. They are all dead now. At the very least, we must be prepared to back up our ideological defences with force on certain occasions. Holding a higher moral standard isn't going to defeat an Iranian President with nukes, threatening another Holocaust.

Writer Raymond Kraft explains Western softness very well: The Islamic movement "has turned the civility of the United States and Europe into a weapon and turned it against us. It has weaponised niceness, it has weaponised compassion, it has weaponised the fundamental decency of Western Civilisation. We have become too civilised to defeat our enemies, perhaps too civilised to survive."

Kraft thinks we are naïve in believing that the deeds of Hezbollah, Hamas, Al Qaeda, the whole Islamic Jihad, are done by a bunch of "non-state actors." In real life they're agents of nation states (Iran, Syria, Saudi Arabia, sometimes Russia or China) who want to weaken the West by a proxy war.

The Chinese and the Russians do not want to fight an open war with the Americans, but they would be hugely pleased to see the United States cut down to size a bit, until it is about as much a threat to anybody as the European Union is now, "so the Chinese and Russians can run the global show as they see fit, ration the oil, and pocket the profits."

There is, however, a big difference: The Islamic world always has been our enemy and always will be. China and Russia do not have to be our enemies, although our relations will be complicated because of their size and their own Great Power ambitions. We can, at best, persuade them that directly opposing us isn't going to pay off.

I have heard several objections to the containment option. Some claim that it is too harsh and thus won't be implemented; others say that it is insufficient and won't work in the long run.

It's true that in the current political situation, expulsion of sharia-sponsoring Muslims isn't going to happen. But the current political situation isn't going to last.

We will get civil wars in several Western countries because of this immigration, and given the increasing clashes with Muslim immigrants in France, in England and in other countries one could argue that we are seeing early signs of this already now. This will finally demonstrate how serious the situation is, and force other Western nations to ban Muslim immigration and pressure Muslim citizens to assimilate or leave.

I have heard comments that it isn't practically doable to contain the Islamic world behind some artificial Maginot Line. When the Mongols could simply go around the Great Wall of China during the Middle Ages, it will be impossible to contain anybody in the 21st century with modern communication technology.

I understand this objection. No, it won't be easy, but we have to at least try. Containment is the very minimum that is acceptable. Perhaps the spread of nuclear technology will indeed trigger a large-scale war with the Islamic world at some point. The only way to avoid this is to take steps, including military ones, to deprive Muslims of such technology. The Jihad is being waged with military, political, demographic and diplomatic means. The defence against Jihad has to be equally diverse.

I have also been criticised because my talk about containment and the need to limit even non-Muslim immigration smacks of the siege mentality of a friendless West. First of all, the policy of stricter immigration control isn't based on isolationism, it's based on realism. We're in the middle of the largest population boom and the largest migration waves in human history. The simple fact is that far more people want to live in the West than we can possibly let in.

Technological globalisation has made it easier for people to travel to other countries, but also easier for them to stay in touch with their original homeland as if they never left. We have to deal with this fact by slowing the immigration rates to assimilation levels, or our societies, and certainly our democratic system, will slowly break down.

Moreover, I'm advocating isolating the Islamic world, not the West. Even if we cannot allow all non-Muslims to freely settle in our lands, this does not mean that they have to be our enemies. Jihad is being waged against the entire non-Muslim world, not just the West. We should stop trying to "win the hearts and minds" of Muslims and start reaching out to non-Muslims.

The United Nations is heavily infiltrated by Islamic groups. We should starve it for funds and ridicule it at any given opportunity. As an alternative to the UN, we could create an organisation where only democratic states could become members. Another possibility is an expansion of NATO. The most important principle at this point is to contain the Islamic world. We simply cannot allow our enemies to have influence over our policies, which they partly do through the UN.

What the West should do is to enter into strategic alliances with non-Western states that share some of our political ideals and goals. This includes non-Muslim nations such as Japan and India, perhaps also Thailand, the Philippines and others. We will, however, still need some understanding with Russia and China and some mechanism for consultations with both. Perhaps, instead of any new and formalised organisation, the most influential countries will simply form ad hoc alliances to deal with issues as they arise.

The situation in the Old West in Europe is right now more serious than in the New West, the United States, Canada, Australia and New Zealand.

For Europe, the most important thing to do right now is to dismantle the European Union in its present form, and regain national control over our borders and our legislation. The EU is so deeply flawed as an organisation, and so heavily infiltrated by Eurabian and pro-Islamic thinking that it simply cannot be reformed. And let's end the stupid support for the Palestinians that the Eurabians have encouraged, and start supporting our cultural cousin, Israel.

Europeans also need to ditch the welfare state, which is probably doomed anyway. The welfare state wasn't all bad, but the welfare state economies cannot compete in a world of billions of capitalists in low-cost countries. Besides, the welfare state creates a false sense of security in a dog-eat-dog world, and it breeds a passivity that is very dangerous in the fight against Jihad. It may also indirectly contribute to the low birth rates in many European countries.

We should use the money instead to strengthen our border controls and rebuild credible militaries. Western Europeans have lived under Pax Americana for so long that we have forgotten how to defend ourselves. This needs to change, and soon.

Europeans should adopt legislation similar to the First Amendment in the American Constitution, securing the right to free speech. The reason why European authorities are becoming increasingly totalitarian in their censorship efforts is to conceal the fact that they are no longer willing or able to uphold even the most basic security of their citizenry, far less our national borders. Europe needs free speech more than ever.

We need to strike a balance between defeatism and denial. Yes, the situation in Europe is now very serious, but it is not totally lost. Not yet. The Danish Cartoon Jihad has demonstrated that their Islamic arrogance encourages Muslims to become too aggressive, too early, and thus overplay their hand. Our main problem is ourselves. Europe's elites have lost contact with the people, and the people have lost contact with reality. Western Europe is now a collection of several layers of different Utopias: multiculturalism, welfarism, radical feminism and transnationalism that will all soon come crashing down. The important question is how we're going to deal with this.

Yes, we have been betrayed by our own leaders, but that's still only part of the problem. People tend to get the governments they deserve. Maybe we get weak leaders because we are weak, or because they can exploit weaknesses in our mentality to get us where they want to; above all anti-Americanism, anti-Semitism, our excessive desire for consensus and suppression of dissent, the anti-individualistic legacy from Socialism and the passivity bred by welfare state bureaucracy. Muslims are stuck with their problems and their corrupt leaders and blame everybody else for their own failures because they can never admit they are caused by deep flaws in their culture. We shouldn't make the same mistake. Europeans export wine; Arabs export whine. That's the way it should be.

It is highly likely that the coming generation will determine whether Europe will continue to exist as a Western cultural entity. However, just as Islam isn't the cause of Europe's weakness but rather a secondary infection, it is conceivable that the Islamic threat could have the unforeseen and ironic effect of saving Europe from herself. Europe will bleed but she won't die.

As the quote goes in the Hollywood classic "The Third Man":

"...in Italy for 30 years under the Borgias they had warfare, terror, murder, and bloodshed, but they produced Michelangelo, Leonardo da Vinci, and the Renaissance. In Switzerland they had brotherly love — they had 500 years of democracy and peace, and what did that produce? The cuckoo clock."

Some would say that's a tad unfair to the Swiss. Switzerland has been at the forefront of many technological developments for a long time, and we could probably learn from their example with frequent referendums and direct democracy. But it's true that European renewals can be messy stuff.

Muslims always claim that Islamic influences triggered the Renaissance. That's not true. But maybe it will be this time. Perhaps this life-and-death struggle with Islam is precisely the slap in the face that we need to regroup and revitalise our civilisation. Is there still enough strength left in Europe to repel an Islamic invasion once more? If so, Muslims could indeed be responsible for triggering a Western Renaissance, the Second Renaissance.

It remains to be seen whether this will actually happen, or whether it is wishful thinking. Europe will unfortunately experience some warfare either way. Will this produce a Michelangelo or a Muhammad? Only time will tell.

Source:

<http://www.globalpolitician.com/22568-west>

2.6 The European Court of Human Rights (ECtHR) in Strasbourg is a cultural Marxist controlled political entity

The European Court of Human Rights (ECtHR) in Strasbourg is an international judicial body established in 1950 to monitor respect of human rights by states. This court has however to a larger degree developed into an unrecognizable beast whose main task is to deconstruct European traditions, culture and identity because it is considered offensive towards all non-Europeans and especially Muslims. Since we still want to preserve our culture and heritage I see no other alternative than to reform (limiting the current mandate considerably, or replace the cultural Marxist judges with cultural conservative ones) or completely eliminate the court altogether. Until this is done it should not apply in any way or form. The court rulings and principles are very often "ordered" by cultural Marxists to either be used against cultural conservatives directly or to systematically and gradually destroy European culture, traditions, our identities and to limit the sovereignty of nation states.

One example is the crucifix case in Italy in 2009. They ordered all crosses to be removed from all public class rooms because the ECtHR had concluded that the cross was an offensive symbol. But suddenly they meet resistance. An overwhelming majority in Italy opposed this ruling. Instead, many leaders ordered more crosses to be distributed and placed on government offices. Not because they had suddenly become more religious but because the cross is the most important cultural and historical symbol. The cross is Europe.

What this case and similar cases show is that the ECtHR have become an institution designed to protect and serve the foundations of European political correctness/cultural Marxism/multiculturalism. The ECtHR in Strasbourg is therefore a racist and genocidal political entity that only serves to create and offer ideological justification to given multicultural doctrines under camouflage of being "humanistic". It is no more than a tool, an ideological sledge hammer used by cultural Marxists.

As of now the ECtHR in Strasbourg propagates multiculturalism and the deconstruction of European cultures and identities. It is therefore an anti-European political hate-entity that seeks to undermine the very people who created it. The ECtHR in Strasbourg must be reformed. Until it is, it should be considered as a hostile political entity propagating cultural Marxism.

2.7 Waiting for Churchill or Godot?

By Fjordman

I once had the pleasure of watching the absurdist theatre play called "*Waiting for Godot*," by Samuel Beckett. Two men called Vladimir and Estragon sit around waiting for a man named Godot. Mr. Godot never shows up, of course. It is years ago now, but for some reason, I remembered it recently when watching the political situation in Europe.

During the height of the Muhammad cartoons crisis, Fjordman was among the minority who thought this was good news for Europe and the West. Although it may sound absurd to Americans, those rather innocent cartoons may have done more to open the eyes of Europeans to the Islamic threat than the terror attacks of 9/11, the London and Madrid bombings combined. People who can burn down embassies because of something so silly quite simply don't have anything at all in common with us, and cannot function in our democratic societies. Muslims may have pushed too far, too early, and thus jolted some life back into even the near-comatose continent of Europe. I see some signs that this interpretation may have been correct, and that the tide is indeed changing. Recent opinion polls indicate that there is now a critical mass of ordinary Europeans who no longer buy the brainwashing about Islam being a peaceful religion.

In Germany, according to a study[1] commissioned by the Frankfurter Allgemeine Zeitung newspaper, 56 percent of Germans said they believed a "clash of cultures" already existed. 71 percent said they believed Islam to be "intolerant," some 91 per cent said they associated Islam with oppression of women. Asked if there should be a ban on the building of mosques in Germany as long as the building of churches in some Islamic states is forbidden, 56 per cent agreed. There was even considerable backing for ending Germany's constitutional right of freedom of religion with regard to Islam. Asked if strict limits should be imposed on the practice of Islam in Germany to protect the country, 40 per cent said they would support such moves. *In the Netherlands*[2], 63 per cent of respondents thought Islam was incompatible with modern European life. Even in Sweden, the purgatory of Political Correctness, opinion polls have revealed that *two out of three Swedes*[3] doubt whether Islam can be *combined with*[4] Swedish society. Recently, I have also for the first time seen visible cracks in the wall of censorship on public debate in Sweden. Change is in the air, all over Europe.

Europeans now gradually start to awaken from the spell of multiculturalism, Political Correctness and Muslim immigration, but they still don't know how deep the rabbit hole goes. Most of them still haven't heard of Eurabia, or the fact that the European Union, including many of their own, entrusted representatives, have actively encouraged massive Muslim immigration to the continent. Until they do this, it will be *more difficult to bring down the EU, and that is absolutely necessary in my view for Europe to prevail from this*[5]. No, the EU isn't the only problem Europe has, but it is by far the worst, and we don't have even a theoretical chance of fixing our other problems as long as the EU is in charge. It needs to be removed completely. The hour is late. Is it too late? Even if it's not too late, whatever can be done needs to be done soon.

So, what to do next? What are we waiting for? For some decent leader to step forward, perhaps? Well, where is he, or she? During the appeasement of the late 1930s, Churchill was already there, ready to step in when called for. The problem is, I just can't see anyone of his stature now. Tony Blair? Apart from the Iraq war, absolutely everything he has done related to Islam, both in the UK and abroad, has been wrong. In some ways, he is a worse appeaser than Chamberlain ever was. I doubt Gordon Brown will be better. Chirac is a corrupt crook, de Villepain is a pompous, Eurabian clown with a Napoleon complex, Sarkozy isn't too bad, but not good enough, and France is in too much trouble of her own to do anything for the rest of Europe. Besides, it was France who created Eurabia in the first place. Count them out. Spain has forgotten everything of her past and

has Zapatero, an appeasing Socialist weasel, as PM, brought to power by al-Qaeda. Italy recently ousted their right-wing government in favor of a Leftist, super-Eurocrat, Romano Prodi, as PM, and Communist ministers who want open doors for Muslims from North Africa to enter. Which actually leaves Germany's Angela Merkel as the least bad leader among the larger nations. But Ms. Merkel is no Thatcher, and certainly not a Churchill. Her support for the awful EU Constitution should be enough to discount her as a potential leader of a de-Eurabisation of Europe. The only Western European leader in power with something resembling a spine is Anders Fogh Rasmussen in Denmark, but Denmark is too small to lead this. I hope we are waiting for a Churchill to step forward, but I sometimes fear we are waiting for Godot.

We complain about weak leaders, but maybe we keep producing weak leaders because we, as a people, are weak? And if we finally find a Churchill, will the press rip him apart for whatever flaw they can find? Could the real Churchill have been elected today, or would the media eat him alive because of his heavy drinking and replace him with a slick boy scout? And if a strong leader steps forward, will he have a democratic mindset or will he have a darker agenda? Churchill certainly understood Islam. In his book "The River War," written as long ago as 1899, he wrote this about the followers of Muhammad:

"How dreadful are the curses which Mohammedanism lays on its votaries! Besides the fanatical frenzy, which is as dangerous in a man as hydrophobia in a dog, there is this fearful fatalistic apathy. The effects are apparent in many countries. Improvident habits, slovenly systems of agriculture, sluggish methods of commerce, and insecurity of property exist wherever the followers of the Prophet rule or live. A degraded sensualism deprives this life of its grace and refinement; the next of its dignity and sanctity. The fact that in Mohammedan law every woman must belong to some man as his absolute property, either as a child, a wife, or a concubine, must delay the final extinction of slavery until the faith of Islam has ceased to be a great power among men. Individual Moslems may show splendid qualities - but the influence of the religion paralyses the social development of those who follow it. No stronger retrograde force exists in the world. Far from being moribund, Mohammedanism is a militant and proselytising faith. It has already spread throughout Central Africa, raising fearless warriors at every step; and were it not that Christianity is sheltered in the strong arms of science, the science against which it had vainly struggled, the civilisation of modern Europe might fall, as fell the civilisation of ancient Rome."

Churchill's speeches were a great inspiration to the British during WW2, but also promised that "I have nothing to offer but blood, toil, tears, and sweat." Before the Battle of Britain, he delivered the immortal line, "We shall defend our island, whatever the cost may be, we shall fight on the beaches, we shall fight on the landing grounds, we shall fight in the fields and in the streets, we shall fight in the hills; we shall never surrender." How would today's decadent and pleasure-loving Westerners react to a similar speech? I think Winston would have to re-write it to something along these lines: "We shall defend our continent, whatever the cost may be, we shall fight on the ice cream trucks, we shall fight on the cable TV cars, we shall fight in the Jacuzzis and the spas, we shall fight in the nail salons; we shall never surrender."

In addition to just plain decadence, there is a widespread ideological feeling in Europe that nothing is worth fighting for, certainly not through armed struggle. There are no Great Truths, everything is equal. If we want to understand where the notion of the futility of war in any situation entered the European mind, we should read the poems of Wilfred Owen, another Briton with a way of words. Maybe Europe's faith in itself died in Auschwitz, but it was severely wounded some decades before, in the trenches of the First World War. It was WW1 that radicalised Europe, triggered the Russian Revolution and the rise of Soviet Communism, and it was WW1 that filled Germany, including a young corporal named Adolf Hitler, with a desire for vengeance and much of the ammunition they needed for their rise to power in the 1930s.

Wilfred Owen was a second lieutenant that participated in the Battle of the Somme and was later sent to treatment for shell shock. His horrific poems about gas warfare and life in the trenches have earned him the status as the leading poet of WW1. Wilfred Owen was killed in action on 4th November 1918, only a week before the end of the war. One of his most famous poems is "*Anthem for Doomed Youth*[6]:"

What passing-bells for these who die as cattle?
-Only the monstrous anger of the guns.
Only the stuttering rifles' rapid rattle
Can patter out their hasty orisons.
No mockeries now for them; no prayers nor bells;
Nor any voice of mourning save the choirs,-
The shrill, demented choirs of wailing shells;
And bugles calling for them from sad shires.
What candles may be held to speed them all?
Not in the hands of boys but in their eyes
Shall shine the holy glimmers of good-byes.
The pallor of girls' brows shall be their pall;
Their flowers the tenderness of patient minds,
And each slow dusk a drawing-down of blinds.

I can understand why Wilfred Owen felt that war was futile, rotting away in the trenches for some cause he didn't even understand. But it isn't true that war is worse than everything. Sharia is worse than war. I have heard claims that European civilisation will not survive the century. A century is a very long time, remember that. Would anybody (except Churchill) in 1906, when Europe really was strong and powerful, have predicted that Europe would now be in the process of being overpowered by Algerians and Pakistanis? Things change. They can change for the worse, but they can also change for the better. If we do get another world war, which appears increasingly likely, this could finish off what remains of European civilisation for good. But it could also, theoretically, have the opposite effect, where the shock waves could create a different kind of Europe from the decadent, nihilistic Europe we see now. A Christian revitalisation, for instance. Yes, this could happen. Stranger things have happened before. Our ancestors, better men and women than us, held the line against Islam for more than one thousand years, sacrificing their blood for the continent. By doing so, they not only preserved the European heartland and thus Western civilisation itself, but quite possibly the world in general from unchallenged Islamic dominance. The stakes involved now are not less than they were then, probably greater.

Some people claim that Europe isn't worth fighting for, and that too many people here deserve what's coming. Yes, a significant number of them do. Yes, people such as EU foreign policy chief Javier Solana, with their Swiss bank accounts and their good relationship with Saudi Arabia and the Arab League, not to mention Valéry Giscard d'Estaing and his awful EU Constitution that will destroy democracy for half a billion people, deserve everything we can heap upon them. The problem is that the people who deserve most to be punished for this are the ones least likely to pay the price. The creators of Eurabia will be the first to flee the continent when the going gets tough, leaving those who have hardly heard of Eurabia and never approved of its creation to fight.

Edmund Burke thought that if a society can be seen as a contract, we must recognise that most parties to the contract are either dead or not yet born. I like that idea, which means that when you fight for a country, you don't just fight for the ones that are there now, but for those who lived there before and for those who will live there in the future. If we don't want to fight for what Europe is today then let us fight for what it once was, and maybe, just maybe, for what it may become once more. There was real greatness in

this continent once. It seems a long time ago now, but maybe we can get there again. European Parliament member *Hannu Takkula*[7] of Finland has said that never before had the fate of Israel and Europe been so inter-connected. "The same forces that hate Israel, also hate Europe," he said, adding that Europe must remain true to its Judeo-Christian roots by supporting Israel. The heritage of the Europe "was founded on three cities - Athens, Rome and Jerusalem" - said Takkula. Muslims are openly bragging about how they will soon conquer Rome, just as they did with Constantinople, the Eastern Rome, they are putting Jerusalem under siege and they are hijacking the cultural heritage of Athens by claiming that they "preserved it" and "passed it on" to the West. It's time for us to reclaim our past and thus reclaim our future.

Fjordman has been accused of being a pessimist. I'm not sure whether I am more pessimistic than others. There are many people who think Europe is already lost. I happen to be among the ones who have stated that this is only one of several possible outcomes. Europe is now at one of those famous crossroads where the course of history could go either way. Given the weakness of Europe and the rapid expansion of Islam, it would be foolish to discount the possibility that Muslims could win this. However, I happen to think that another possibility is that Islam not only will lose the battle for Europe, but could become destroyed as a global force during this century. Maybe in some strange way, Europe needs to go through a period of colonisation and de-colonisation herself, to get rid of her post-colonial guilt complex?

This war by Islam against Europe, the West and indeed mankind has been going on for more than 1300 years. This is the third major Jihad, the third Islamic attempt to subdue the heartland of the West. Although I cannot prove this, I have a very strong feeling that this will also be the last attempt. There will be no fourth Jihad. Either Muslims will win this time, or Islam itself will be handed a defeat and a blow so powerful that it may never recover from it. This is perhaps the longest, continuous war in human history. And it's about to be decided within the coming decades. I'm not sure how all of this will play out. What I do know is that it could all be decided on my watch, and I don't want to be the weak link in something my ancestors kept intact for 1300 years.

To quote Churchill: "This is not the end. It is not even the beginning of the end. But it is, perhaps, the end of the beginning." Let us hope someone of his stature will soon appear. He will be needed.

Source:

<http://www.frontpagemag.com/Articles/Read.aspx?GUID=8B99760A-E931-4EE8-8AC7-EB047E8A67B8>

1. <http://littlegreenfootballs.com/weblog/?entry=20665&only>
2. <http://www.angus-reid.com/polls/index.cfm/fuseaction/viewItem/itemID/12143>
3. <http://www.faithfreedom.org/oped/Fjordman60527.htm>
4. <http://www.weekendavisen.dk/apps/pbcs.dll/article?AID=/20051028/SAMFUND/510270362>
5. <http://gatesofvienna.blogspot.com/2006/06/why-eu-needs-to-be-destroyed-and-soon.html>
6. <http://www.hcu.ox.ac.uk/jtap/warpoems.htm#7>
7. <http://www.jpost.com/servlet/Satellite?cid=1145961320675&pagename=JPost%2FJPArticle%2FShowFull>

The name of the devil: cultural Marxism, multiculturalism, globalism, feminism, emotionalism, suicidal humanism, egalitarianism - a recipe for disaster

"Don't ever take a fence down until you know why it was put up."

Robert Frost

2.8 The Failure of Western Feminism

By Fjordman

I have written several essays before on the damaging effects of Western feminism. The massive wave of violence and especially rapes in Western cities now is a form of warfare against whites, and it's about time it is recognised as such. As this post from Gallia Watch[1] puts it:

As in war, the winners seize the indigenous women all the while protecting their own. The whole rhetoric that aims to debase the European woman or France ('I screw France like a whore' says rap group Sniper) is a part of the feminisation of Europeans, of the idea that Europe is a land to be conquered, a habitat open to all forms of pillage. Are not the notorious 'gang rapes' another example of collective violence to European women, just as Russian soldiers did when they seized German women in a devastated Berlin in 1945. It all holds together. A tribe that does not protect its women is behaving as if they have already lost the war. Many of us don't know this. But our enemies do.

As a Western man, I would be tempted to say that Western women have to some extent brought this upon themselves. They have been waging an ideological, psychological and economic war against European men for several generations now, believing that this would make you "free." The actual result is that you have less freedom of movement and security than ever, as a direct result of the immigrant policies supported by you and your buddies.

In the big scheme of things, the truth is that European men have treated women with greater respect than the men of almost any other major civilisation on earth. And I don't mean just in the modern age, I mean for many centuries. Yet we are the one group of men who are most demonised and attacked, whereas non-white men get treated with much greater respect. What white men see from this is that white Western women prefer men who treat them like crap, and disrespect men who treat them with respect. This isn't exactly a smart way to behave if you want to be treated with dignity.

The truth is that any nation is always protected from external aggression by the men. The women can play a supporting role in this, but never more than that. For all the talk about "girl power" and "women kicking ass" which you see on movies these days, if the men of your "tribe" are too weak or demoralised to protect you, you will be enslaved and crushed by the men from other "tribes" before you can say "Vagina Monologues". Which means that if you break down men's masculinity, their willingness and ability to defend themselves and their families, you destroy the country. That's exactly what Western women have done for the last forty years. So why are you surprised about the results? As you said, you can't fool Mother Nature. Well, you have tried to fool her for a long time, and you are now paying the price for this.

Western women have been subjected to systematic Marxist indoctrination meant to turn you into a weapon of mass destruction against your own civilisation, a strategy that has been remarkably successful. Here is a quote from Robert Spencer's book *Religion of Peace?*:

Attacks on Christian history and doctrine are an integral part of a larger effort to instill a sense of cultural shame in even non-Christian European and American youth — a shame that militates against their thinking the West is even worth defending. A white American student, 'Rachel,' unwittingly summed up this attitude when she told American Indian professor Dr. David Yeagley in 2001: 'Look, Dr. Yeagley, I don't see anything about my culture to be proud of. It's all nothing. My race is just nothing... Look at your culture. Look at American Indian tradition. Now I think that's really great. You have something to be proud of. My culture is nothing.' Yeagley mused: 'The Cheyenne people have a saying: A nation is never conquered until the hearts of its women are on the ground...When Rachel denounced her people, she did it with the serene self-confidence of a High Priestess reciting a liturgy. She said it without fear of criticism or censure. And she received none. The other students listened in silence, their eyes moving timidly back and forth between me and Rachel, as if unsure which of us constituted a higher authority... Who had conquered Rachel's people? What had led her to disrespect them? Why did she behave like a woman of a defeated tribe?'

Let me add a quote from the book *The Suicide of Reason: Radical Islam's Threat to the West*, by Lee Harris:

"Muslims are doing everything in their power to encourage their alpha boys to be tough, aggressive, and ruthless. We teach our boys to be good students, to aim at getting good jobs with large, safe corporations, to plan prudently for their retirement. They want their boys to become holy warriors. We are proud if our sons get into a good college; they are proud if their sons die as martyrs. To rid your society of high-testosterone alpha males may bring peace and quiet; but if you have an enemy that is building up an army of alpha boys trained to hate you fanatically and who have vowed to destroy you, you will be committing suicide. It may take years or decades before you realise what you have done, but by that time it will be far too late to reverse your course. The end of testosterone in the West alone will not culminate in the end of history, but it may well culminate in the end of the West."

Sources:

<http://gatesofvienna.blogspot.com/2008/08/failure-of-western-feminism.html>
1. <http://galliawatch.blogspot.com/2008/08/endangered-species.html>

2.9 How the Feminists' "War against Boys" Paved the Way for Islam

By Fjordman

Some commentators like to point out that many of the most passionate and bravest defenders of the West are women, citing Italian writer Oriana Fallaci[1] and others[2] as examples. But women like Ms. Fallaci, brave as they might be, are not representative of Western women. If you look closely, you will notice that, on average, Western women are actually more supportive of multiculturalism and massive immigration than are Western men.

I got many comments[3] on my posts about Muslim anti-female violence in Scandinavia. Several of my readers asked what Scandinavian men are doing about this. What

happened to those Vikings, anyway? Did they drink too much mead in Valhalla? Despite the romantic mystique surrounding them today, the Vikings were for the most part savage barbarians. However, I doubt they would have looked the other way while their daughters were harassed by Muslims. In some ways, this makes present-day Scandinavians worse barbarians than the Vikings ever were.

One of the reasons for this lack of response is a deliberate and pervasive censorship in the mainstream media, to conceal the full scale of the problem from the general public. However, I suspect that the most important reason has to do with the extreme anti-masculine strand of feminism that has permeated Scandinavia for decades. The male protective instinct doesn't take action because Scandinavian women have worked tirelessly to eradicate it, together with everything else that smacks of traditional masculinity. Because of this, feminism has greatly weakened Scandinavia, and perhaps Western civilisation as whole.

The only major political party in Norway that has voiced any serious opposition to the madness of Muslim immigration is the rightwing Progress Party. This is a party which receives about two thirds or even 70% male votes. At the opposite end of the scale we have the Socialist Left party, with two thirds or 70% female votes. The parties most critical of the current immigration are typically male parties, while those who praise the Multicultural society are dominated by feminists. And across the Atlantic, if only American women voted, the US President during 9/11 would be called Al Gore, not George Bush.

The standard explanation in my country for this gender gap in voting patterns is that men are more "xenophobic and selfish" than women, who are more open-minded and possess a greater ability to show solidarity with outsiders. That's one possibility. Another one is that men traditionally have had the responsibility for protecting the "tribe" and spotting an enemy, a necessity in a dog-eat-dog world. Women are more naïve, and less willing to rationally think through the long-term consequences of avoiding confrontation or dealing with unpleasant realities now.

Didn't feminists always claim that the world would be a better place with women in the driver's seat, because they wouldn't sacrifice their own children? Well, isn't that exactly what they are doing now? Smiling and voting for parties that keep the doors open to Muslim immigration, the same Muslims who will be attacking their children tomorrow?

Another possibility is that Western feminists fail to confront Muslim immigration for ideological reasons. Many of them are silent on Islamic oppression of women because they have also embraced "Third-Worldism" and anti-Western sentiments. I see some evidence in support of this thesis.

American writer Phyllis Chesler has sharply criticised her sisters in books such as *The Death of Feminism*. She feels that too many feminists have abandoned their commitment to freedom and "become cowardly herd animals and grim totalitarian thinkers," thus failing to confront Islamic terrorism. She paints a portrait of current U.S. University campuses as steeped in "a new and diabolical McCarthyism" spearheaded by leftist rhetoric.

Chesler has a point. Judging from the rhetoric of many feminists, all the oppression in the world comes from Western men, who are oppressing both women and non-Western men. Muslim immigrants are "fellow victims" of this bias. At best, they may be patriarchal pigs, but no worse than Western men. Many Western universities have courses filled with hate against men that would be unthinkable the other way around. That's why Scandinavian feminists don't call for Scandinavian men to show a more traditional masculinity and protect them against aggression from Muslim men. Most Norwegian feminists are also passionate anti-racists who will oppose any steps to limit Muslim immigration as "racism and xenophobia."

Totalitarian feminists in Norway are threatening to shut down private companies that refuse to recruit at least 40 percent women to their boards[4] by 2007, a Soviet-style regulation of the economy in the name of gender equality. I have read comments from Socialist politicians and leftist commentators in certain newspapers, such as the pro-Multicultural and feminist — critics would say Female Supremacist — newspaper Dagbladet, arguing that we should have quotas for Muslim immigrants, too.

What started out as radical feminism has thus gradually become egalitarianism, the fight against “discrimination” of any kind, the idea that all groups of people should have an equal share of everything and that it is the state’s responsibility to ensure that this takes place. A prime example of this is Norway’s Ombud for Gender Equality, which in 2006 became The Equality and Anti-discrimination Ombud[5]. The Ombud’s duties are “to promote equality and combat discrimination on the basis of gender, ethnic origin, sexual orientation, disability and age.”

Western feminists have cultivated a culture of victimhood in the West, where you gain political power through your status in the victim hierarchy. In many ways, this is what Political Correctness is all about. They have also demanded, and largely got, a re-writing of the history books to address an alleged historic bias; their world view has entered the school curriculum, gained a virtual hegemony in the media and managed to portray their critics as “bigots.” They have even succeeded in changing the very language we use, to make it less offensive. Radical feminists are the vanguard of PC.

When Muslims, who above all else like to present themselves as victims, enter Western nations, they find that much of their work has already been done for them. They can use a pre-established tradition of claiming to be victims, demanding state intervention and maybe quotas to address this, as well as a complete re-writing of history and public campaigns against bigotry and hate speech. Western feminists have thus paved the way for the forces that will dismantle Western feminism, and end up in bed, sometimes quite literally, with the people who want to enslave them.

Swedish Marxist politician Gudrun Schyman has suggested a bill[6] that would collectively tax Swedish men for violence against women. In a 2002 speech, the same Schyman famously posited that Swedish men were just like the Taliban. A male columnist in newspaper Aftonbladet responded by saying that Schyman was right[7]: All men are like the Taliban.

The irony is that in an Islamic state similar to the one the Taliban established in Afghanistan, certain groups of people, in this case non-Muslims, pay a special punishment tax simply because of who they are, not because of what they earn. Radical feminists such as Ms. Schyman are thus closer to the Taliban than Western men, although I’m pretty sure that irony would be completely missed on them.

Schyman’s battle cry is “Death to the nuclear family!” I have heard the same slogan repeated by young Norwegian feminists in recent years. Schyman seethed that today’s family unit is “built on a foundation of traditional gender roles in which women are subordinate to men. The hierarchy of gender, for which violence against women is the ultimate expression, has been cemented.” “Conservatives want to strengthen the family. I find this of grave concern.”

In the year 2000, Swedish feminist Joanna Rytel and the action group Unf**ked Pussy entered the stage during the live broadcast of the Miss Sweden contest. She also wrote an article called “I Will Never Give Birth to a White Man[8],” for a major Swedish daily, Aftonbladet, in 2004. Rytel explained why she hates white men — they are selfish, exploitative, vain, and sex-crazed — and just to make things clear, she added, “no white men, please... I just puke on them, thank you very much.”

Misandry, the hatred of men, isn't necessarily less prevalent than misogyny, the hatred of women. The difference is that the former is much more socially acceptable.

If all oppression comes from Western men, it becomes logical to try weakening them as much as possible. If you do, a paradise of peace and equality awaits us at the other side of the rainbow. Well congratulations to Western European women. You've succeeded in harassing and ridiculing your own sons into suppressing many of their masculine instincts. To your surprise, you didn't enter a feminist Nirvana, but paved the way for an unfolding Islamic hell.

It is correct, as feminists claim, that a hyper-feminine society is not as destructive as a hyper-masculine society. The catch with a too soft society is that it is unsustainable. It will get squashed as soon as it is confronted by more traditional, aggressive ones. Instead of "having it all," Western women risk losing everything. What are liberal feminists going to do when faced with aggressive gang of Muslim youngsters? Burn their bras and throw the pocket edition of the Vagina Monologues at them?

Perhaps women can succeed in turning their men into doormats, but it will be on the cost of doing so to their nation and to their civilisation as well. According to Italian American feminist Camille Paglia, "If civilisation had been left in female hands, we would still be living in grass huts." That may be an exaggeration, but male energy is definitely a driving force in any dynamic culture.

Muslim anti-female violence in the West is a symptom of the breakdown of the feminist Utopia. Freedoms need to be enforced by violence or the credible threat of violence, or they are meaningless. Even though women can take steps to protect themselves, the primary responsibility for protection will probably always belong to men. Women will thus only have as much freedom as their men are willing and capable of guaranteeing them. It is a major flaw in many feminist theories that they fail to acknowledge this.

The difference between women's rights and women's illusions is defined by a Smith and Wesson, not by a Betty Friedan or a Virginia Wolf.

Writer Lars Hedegaard in Denmark does not buy into the theory that women approve of Muslim immigration out of irrational naivety or ideological conviction. He thinks they simply want it, as he writes in a column entitled "The dream of submission." He does notice, as I do, that women are more likely than men to support parties that are open for more Muslim immigration.

Why is this, considering that there is hardly a single Muslim majority area in the world where women enjoy the same rights as men? And Hedegaard asks a provocative question: Are women more stupid and less enlightened than men, since they in such great numbers are paving the way for their own submission? He comes up with an equally provocative answer: "When women are paving the way for sharia, this is presumably because women want sharia." They don't want freedom because they feel attracted to subservience and subjugation.

The English author Fay Weldon has noted that "For women, there is something sexually very alluring about submission." And as Hedegaard dryly notes, if submission is what many women seek, the feminised Danish men are boring compared to desert sheikhs who won't allow you to go outside without permission. Muslims like to point out that there are more women than men in the West who convert to Islam, and this is in fact partly true. Islam means "submission." Is there something about submission that is more appealing to some women than it is to most men? Do women yield more easily to power?

In a newspaper article about Swedish women converting to Islam[9], the attraction of the Islamic family life seems to be a common feature among women converts. Several of them state that in Islam, the man is more rational and logical, while the woman is more emotional and caring. This means that the woman should be the one to take care of the children and do the housekeeping, while the man should be the one to work and provide for the family. Many of the women feel that their lives lack a sense of purpose, but Christianity does not seem like a relevant alternative to them.

The fixation with looks in our modern society and the tougher living conditions for women, who are supposed to both have a career and do the housekeeping, play a part, too. Which is curious, considering the fact that it was women themselves, encouraged by modern talk show hostesses such as Oprah Winfrey, who talked about "having it all"; it wasn't the men. Men know that nobody can "have it all," you have to give up something to get something. Maybe women have discovered that working life wasn't all that it was cracked up to be? Men do, after all, universally die years before women all over the world.

The plot of novelist Dan Brown's *Da Vinci Code* is that the modern history of Christianity was a big, patriarchal plot to deprive women of the rights they supposedly enjoyed before this, during the age of "the sacred feminine" and the fertility goddesses who were always barefoot and pregnant. But if that's the case, why is it that women make up the majority of Europe's churchgoers? Why do women, out of their own free will, seek out these oppressive, patriarchal religions? Maybe French philosopher Ernest Renan was onto something when he called women "the devout sex." Do women need religion more than men?

Are some feminists simply testing out men's limits in the hope of finding some new balance between the sexes, or are they testing men to find out which men are strong enough to stand up to their demands, and thus which men can stand up to other men on their behalf? I heard one woman who was an ardent feminist in the 1970s later lament how many families they broke up and destroyed. She was surprised at the reaction, or lack of reaction, from men: "We were horrible. Why didn't you stop us?"

In psychiatry, female patients are seen more frequently with self-inflicted wounds or self-destructive behaviour than men, who tend to direct their aggression outwards. It is also a well-known fact that many women blame themselves for abusive husbands, and make excuses for their abusers' behaviour. Has the West adopted some of the negative traits of the female psyche? The newly feminised West gets attacked and assaulted by the Arab and Islamic world, and continues to blame itself, while at the same time be fascinated by its abusers. It is thus behaving in the same way as a self-loathing woman towards an abusive man.

Virginia Woolf in her book *A Room of One's Own* praises the genius of William Shakespeare[10]: "If ever a human being got his work expressed completely, it was Shakespeare. If ever a mind was incandescent, unimpeded, I thought, turning again to the bookcase, it was Shakespeare's mind." "Let me imagine, since facts are so hard to come by, what would have happened had Shakespeare had a wonderfully gifted sister, called Judith, let us say." "His extraordinarily gifted sister, let us suppose, remained at home. She was as adventurous, as imaginative, as agog to see the world as he was. But she was not sent to school. She had no chance of learning grammar and logic, let alone of reading Horace and Virgil." She "killed herself one winter's night and lies buried at some cross-roads where the omnibuses now stop outside the Elephant and Castle."

Feminists claim that the reason why women haven't been as numerous in politics and science as men is due to male oppression of women. Some of this is true. But it is not the whole story. Being male means having to prove something, to achieve something, in a greater way than it does for women. In addition to this, the responsibility for child

rearing will always fall more heavily on women than on men. A modern society may lessen these restraints, but it will never remove them completely. For these practical reasons, it is unlikely that women will ever be as numerous as men in politics or in the highest level in business.

Christina Hoff Sommers, the author of *The War Against Boys*, points out that^[11] “after almost 40 years of feminist agitation and gender-neutral pronouns, it is still men who are far more likely than women to run for political office, start companies, file for patents, and blow things up. Men continue to tell most of the jokes and write the vast majority of editorials and letters to editors. And — fatal to the dreams of feminists who long for social androgyny — men have hardly budged from their unwillingness to do an equal share of housework or childcare. Moreover, women seem to like manly men.”

She also notes that “One of the least visited memorials in Washington is a waterfront statue commemorating the men who died on the Titanic. Seventy-four percent of the women passengers survived the April 15, 1912, calamity, while 80 percent of the men perished. Why? Because the men followed the principle ‘women and children first.’” The monument, an 18-foot granite male figure with arms outstretched to the side, was erected by ‘the women of America’ in 1931 to show their gratitude. The inscription reads: “To the brave men who perished in the wreck of the Titanic. [...] They gave their lives that women and children might be saved.”

Simone de Beauvoir famously said, “One is not born, but becomes a woman.” She meant that they should reject all the inducements of nature, society, and conventional morality. Beauvoir condemned marriage and family as a “tragedy” for women, and compared childbearing and nurturing to slavery.

Strangely enough, after decades of feminism, many Western women are now lamenting the fact that Western men hesitate to get married. Here is columnist Molly Watson^[12]:

We’re also pretty clued up about why our generation is delaying having children — and it has nothing to do with being failed by employers or health planners. Nor, despite endless newspaper features on the subject, does it have much to do with business women putting careers before babies. In my experience, the root cause of the epidemic lies with a collective failure of nerve among men our age. [...] I don’t know a woman of my age whose version of living happily ever after fundamentally hinges on becoming editor, or senior partner, or surgeon, or leading counsel. But faced with a generation of emotionally immature men who seem to view marriage as the last thing they’ll do before they die, we have little option but to wait.

What happened to the slogan “A woman needs a man like a fish needs a bicycle”? I’d just like to remind Ms. Watson that it was in fact the women who started this whole “single is best” culture that now permeates much of the West. Since women initiate most divorces and a divorce can potentially mean financial ruin for a man, it shouldn’t really be too surprising that many men hesitate to get involved at all. As one man put it: “I don’t think I’ll get married again. I’ll just find a woman I don’t like and give her a house.” At the same time, women during the past few decades have made it a lot easier to have a girlfriend without getting married. So women make it riskier to get married and easier to stay unmarried, and then they wonder why men “won’t commit?” Maybe too many women didn’t think all this feminism stuff quite through before jumping on the bandwagon?

The latest wave of radical feminism has severely wounded the family structure of the Western world. It is impossible to raise the birth rates to replacement level before women are valued for raising children, and before men and women are willing to marry in the first place. Human beings are social creatures, not solitary ones. We are created to

live with partners. Marriage is not a "conspiracy to oppress women", it's the reason why we're here. And it's not a religious thing, either. According to strict, atheist Darwinism, the purpose of life is to reproduce.

A study from the United States[13] identified the main barriers to men tying the knot. Heading the list was their ability to get sex without marriage more easily than in the past. The second was that they can enjoy the benefits of having a wife by cohabiting rather than marrying. The report lends weight to remarks by Ross Cameron, the parliamentary secretary to the Minister for Family and Community Services, who chided Australian men, blaming Australia's looming fertility crisis on men's commitment phobia. "The principal reason young women say they don't get around to having children is they can't find a bloke they like who is willing to commit," he said. "This commitment aversion in the Australian male is a real problem."

Barbara Boyle Torrey and Nicholas Eberstadt write about[14] a significant divergence in fertility between Canada and the U.S.: "The levels of Canadian and American long-term trends in age of first marriage, first births, and common-law unions are consistent with the divergence in total fertility rates in the two countries. But the divergence in none of these proximate variables is large enough to explain the much larger divergence in fertility." "Changing values in the U.S. and Canada may be contributing to the fertility divergence. The stronger notional role of men in U.S. families and the greater religiosity of Americans are positively associated with fertility, and the latter is also a strong predictor of negative attitudes toward abortion. Women in Canada enter common-law unions more often, wait longer than American women to marry, and have children later and less often."

In Europe, Newsweek writes about[15] how packs of wolves are now making a comeback in regions of Central Europe: "A hundred years ago, a burgeoning, land-hungry population killed off the last of Germany's wolves." "Our postcard view of Europe, after all, is of a continent where every scrap of land has long been farmed, fenced off and settled. But the continent of the future may look rather different. "Big parts of Europe will renaturalise," says Reiner Klingholz, head of the Berlin Institute for Population Development. Bears are back in Austria. In Swiss alpine valleys, farms have been receding and forests are growing back in. In parts of France and Germany, wildcats and ospreys have re-established their range."

"In Italy, more than 60 percent of the country's 2.6 million farmers are at least 65 years old. Once they die out, many of their farms will join the 6 million hectares (one third of Italian farmland) that has already been abandoned." "With the EU alone needing about 1.6 million immigrants a year above its current level to keep the working-age population stable between now and 2050, a much more likely source of migrants would be Europe's Muslim neighbours, whose young populations are set to almost double in that same time."

It is numbers like these that have induced Phillip Longman to foresee "the Return of Patriarchy[16]" and proclaim that "conservatives will inherit the Earth:"

"Among states that voted for President George W. Bush in 2004, fertility rates are 12 percent higher than in states that voted for Sen. John Kerry." "It turns out that Europeans who are most likely to identify themselves as "world citizens" are also those least likely to have children." "The great difference in fertility rates between secular individualists and religious or cultural conservatives augurs a vast, demographically driven change in modern societies." "Tomorrow's children, therefore, will be for the most part descendants of a comparatively narrow and culturally conservative segment of society."

"In addition to the greater fertility of conservative segments of society, the rollback of the welfare state forced by population aging and decline will give these elements an additional survival advantage." "People will find that they need more children to insure their golden years, and they will seek to bind their children to them through inculcating traditional religious values."

This last point is worth dwelling with. The elaborate welfare state model in Western Europe is frequently labelled as "the nanny state," but perhaps it could also be named "the husband state." Why? Well, in a traditional society, the role of men and husbands is to physically protect and financially provide for their women. In our modern society, part of this task has simply been "outsourced" to the state, which helps explain why women in general give a disproportionate support to high taxation and pro-welfare state parties. The state has simply become a substitute husband, upheld by taxation of their ex-husbands.

It should be mentioned that if this welfare state should for some reason cease to function[17], for instance due to economic and security pressures caused by Muslim immigration, Western women will suddenly discover that they are not quite as independent from men as they like to think. In this case, it is conceivable that we will see a return to the modern traditional "provide and protect" masculinity, as people, and women in particular, will need the support of the nuclear and extended family to manage.

Another issue is that although countries such as Norway and Sweden like to portray themselves as havens of gender equality, I have heard visitors to these countries comment that the sexes are probably further apart here than anywhere else in the world. And I readily believe that. Radical feminism has bred suspicion and hostility, not cooperation. And what's more, it has no in any way eradicated the basic sexual attraction between feminine women and masculine men. If people do not find this in their own country, they travel to another country or culture to find it, which in our age of globalisation is easier than ever. A striking number of Scandinavian men find their wives in East Asia, Latin America or other nations with a more traditional view of femininity, and a number of women find partners from more conservative countries, too. Not everyone, of course, but the trend is unmistakable and significant. Scandinavians celebrate "gender equality," and travel to the other side of the world to find somebody actually worth marrying.

To sum it up, it must be said that radical feminism has been one of the most important causes of the current weakness of Western civilisation, both culturally and demographically. Feminists, often with a Marxist world view, have been a crucial component in establishing the suffocating public censorship of Political Correctness in Western nations. They have also severely weakened the Western family structure, and contributed to making the West too soft and self-loathing to deal with aggression from Muslims.

Although feminism may have strayed away into extremism, that does not mean that all of its ideas are wrong. The women's movement will make lasting changes. Women have occupied positions considered unthinkable only a few decades ago. Some things are irreversible.

Women pretty much run men's private lives. Marriage used to be a trade: Female nurturing and support for male financial and social security. In a modern world, women may not need men's financial support quite as much as they did before, while men need women's emotional support just as much as we have always done. The balance of power has changed in favor of women, although this situation may not last forever. This does not have to be bad. Women still want a partner. But it requires men to be more focused on doing their best.

A study by scientists at the University of Copenhagen concludes that divorce is closely linked to poor health, especially among men[18]. The research indicates that the death rate for single or divorced males aged 40-50 is twice as high as for other groups. The research has taken into account whether there are other factors that could lead to an early death — such as a mental illness and having grown up under poor social conditions. “Considering the high amount of children growing up in broken homes we do believe that the study is very relevant. “It proves that divorce can have a serious consequence,” and that we may need a prevention strategy. John Aasted Halse, psychologist and author of numerous books about divorce, agrees.

The apparent contradiction between female dominance on the micro level and male dominance on the macro level cannot be easily explained within the context of a “weaker/stronger sex”. I will postulate that being male first of all is some kind of nervous energy, something you need to prove. This will have both positive and negative results. Male numerical dominance in science and politics, as well as in crime and war, is linked to this. Women do not have this urge to prove themselves as much as men do. In some ways, this is a strength. Hence I think the terms “The Restless Sex” for men and “The Self-Contained Sex” for women are more appropriate and explain the differences better.

Daniel Pipes keeps saying that the answer to radical Islam is moderate Islam. There may not be any such thing as a moderate Islam, but there just might be a moderate feminism, and a mature masculinity to match it. In the book *Manliness*, Harvey C. Mansfield offers what he calls a modest defence of manliness. As he says, “Manliness, however, seems to be about fifty-fifty good and bad.” Manliness can be noble and heroic, like the men on the Titanic who sacrificed their lives for “women and children first,” but it can also be foolish, stubborn, and violent. Many men will find it offensive to hear that Islamic violence and honour killings have anything to do with masculinity, but it does. Islam is a compressed version of all the darkest aspects of masculinity. We should reject it. Men, too, lose their freedom to think and say what they want in Islam, not just women.

However, even a moderate version of feminism could prove lethal to Islam. Islam survives on the extreme subjugation of women. Deprived of this, it will suffocate and die. It is true that the West still hasn’t found the formula for the perfect balance between men and women in the 21st century, but at least we are working on the issue. Islam is stuck in the 7th century. Some men lament the loss of a sense of masculinity in a modern world. Perhaps a meaningful one could be to make sure that our sisters and daughters grow up in a world where they have the right to education and a free life, and protect them against Islamic barbarism. It’s going to be needed.

Sources:

- <http://www.brusselsjournal.com/node/1300>
1. <http://www.brusselsjournal.com/node/1174>
 2. <http://www.brusselsjournal.com/node/840>, <http://www.brusselsjournal.com/node/1105>
 3. <http://fjordman.blogspot.com/2005/04/confessions-of-ex-feminist.html>
 4. <http://fjordman.blogspot.com/2005/12/gender-quota-set-for-company-boards-of.html>
 5. http://www.ldo.no/index.php?option=com_content&task=view&id=33&Itemid=46
 6. <http://www.spectator.se/stambord/index.php?p=240>
 7. <http://www.aftonbladet.se/vss/nyheter/story/0,2789,135732,00.html>
 8. <http://www.aftonbladet.se/vss/debatt/story/0,2789,461311,00.html>
 9. <http://littlegreenfootballs.com/weblog/?entry=20593&only>
 10. <http://etext.library.adelaide.edu.au/w/woolf/virginia/w91r/chapter3.html>
 11. http://www.weeklystandard.com/Utilities/printer_preview.asp?idArticle=12041&R=EBF131C9C
 12. <http://fjordman.blogspot.com/2005/10/trouble-with-men-or-with-women.html>
 13. <http://www.smh.com.au/articles/2002/06/26/1023864608383.html?oneclick=true>
 14. <http://www.policyreview.org/aug05/torrey.html>
 14. <http://52.087.5.054plusf94:PBmluvt813218971489Kφ>
 15. <http://www.msnbc.msn.com/id/8359066/site/newsweek/>
 16. <http://www.keepmedia.com/pubs/ForeignPolicy/2006/03/01/1332578>
 17. <http://www.brusselsjournal.com/node/1234>
 18. <http://www.cphpost.dk/get/95907.html>

2.10 Feminism Leads to the Oppression of Women

Fjordman

According to Heather MacDonald[1], the feminist takeover of Harvard is imminent. The university is about to name as its new president radical feminist Drew Gilpin Faust, following Lawrence Summers's all-too-brief reign. Summers's recklessly honest speculations about women in science strengthened the feminist hold on faculty hiring and promotions. The Task Force won a \$50 million commitment to increase faculty "diversity efforts" at Harvard.

As University President, Lawrence Summers in 2005 gave a speech[2] where he dared to suggest that innate differences between men and women could explain why men hold more seats as top scientists than women. This is a plausible thesis. According to Dr Paul Irwing[3]

at Manchester University, there are twice as many men with an IQ of 120-plus as there are women, and 30 times as many with an IQ of 170-plus. There are other studies that indicate similar, disproportionate numbers of men among those with extremely high intelligence.

Besides, even though Summers may have been wrong, it is dangerous to embark on a road where important issues are not debated at all. One of the hallmarks of Western civilisation has been our thirst for asking questions about everything. Political Correctness is thus anti-Western both in its form and in its intent. It should be noted that in this case, feminists formed the vanguard of PC[4], the same ideology that has blinded our universities to the Islamic threat.

It makes it even worse when we know that other feminists in academia assert that the veil, or even the burka, represents "an alternative feminism." Dr. Wairimu Njambi is an Assistant Professor of "Women's Studies" at the Florida Atlantic University. Much of her scholarship is dedicated to advancing the notion that the cruel practice of female genital mutilation (FGM) is actually a triumph for Feminism and that it is hateful to suggest otherwise. According to Njambi "anti-FGM discourse perpetuates a colonialist assumption by universalising a particular western image of a 'normal' body and sexuality."

Harvard university recently received a \$20 million donation[5] from Prince Al-Waleed bin Talal bin Abdul Aziz Al-Saud, a member of the Saudi Royal Family, to finance Islamic studies. This will no doubt be used to influence the curriculum to make it friendlier and less "Islamophobic." Senior Western institutions for higher education such as Harvard are thus simultaneously serving as outlets for Saudi Islamic propaganda and for left-wing radical feminists. This may on the surface look like quite a paradox, but in different ways both groups discredit traditional Western culture by highlighting its "history of oppression and injustice," and they both stifle ideological dissent and suppress criticism of their holy doctrines. Perhaps feminists failed to listen to fellow Harvard Professor Charles Fried, who has warned[6] that "The greatest enemy of liberty has always been some vision of the good."

Feminism has hurt us by encouraging public accept for intellectual hypocrisy, which later paved the way for Islamic infiltration. The official mantra is that men and women are not just equal but identical, but at the same time that women are also somehow superior. Both of these claims cannot, logically speaking, be true at the same time, yet both are being made simultaneously. This gross double standard closely mirrors that of multiculturalism, where all cultures are equal but Western culture is inferior and evil.

This is a technique labelled Repressive Tolerance by the cultural Marxist Herbert Marcuse in 1965. Briefly speaking, those who are deemed to belong to "dominant" groups of

society should have their freedom of speech suppressed by progressives and radicals, and simply be denied access to discussion forums, in order to rectify the "institutional oppression" in society. Marcuse's ideas[7] had a huge impact in the 1960s and 70s. He also advocated free sex without any constraints as a method of freeing people from religious morality.

Prof. Bernard Lewis warned[8] in *The Jerusalem Post* that Islam could soon be the dominant force in a Europe "Europeans are losing their own self-confidence," he said. "They have no respect for their own culture" and have "surrendered" on every issue with regard to Islam in a mood of "self-abasement and political correctness." Although Mr. Lewis did not say so, this is to a significant extent the result of decades of demonisation by left-wing academics, including radical feminists. The goal of radical feminism was never about equality between the sexes, it was about the destruction of the nuclear family and of the power structures of society in general.

As Ellen Willis, self-proclaimed democratic socialist and founder of *Redstockings*, a radical feminist group from 1969, stated[9] to left-wing *The Nation* in 1981: "Feminism is not just an issue or a group of issues, it is the cutting edge of a revolution in cultural and moral values. [...] The objective of every feminist reform, from legal abortion [...] to child-care programs, is to undermine traditional family values." Feminist icon Simone de Beauvoir stated[10] that "no woman should be authorised to stay at home to raise her children [...] because if there is such a choice, too many women will make that one."

Well, after two generations of Second Wave Feminism, Ms. Willis and Ms. Beauvoir have had their way: The West has skyrocketing divorce rates and plummeting birth rates, leading to a cultural and demographic vacuum that makes us vulnerable to a take-over by... Islam. And feminists still aren't satisfied.

Toy researcher Anders Nelson at Sweden's Royal Institute of Technology has warned[11] that toys have become increasingly gender-segregated over the past fifteen years: "People often explain [their toy purchases] by saying that boys and girls want different things. But in order for children to be able to reflect on [the toys] they receive, adults have to open their eyes to [inherent gender] structures. To children, these [gender] roles are more unquestioned and instinctual." Mr. Nelson encouraged parents to give more gender neutral Christmas presents. In other words, no Barbie dolls for girls and no cars for boys. This is the result of a culture destroyed by Political Correctness.

Swedish Marxist politician Gudrun Schyman has suggested[12] a bill that would collectively tax Swedish men for violence against women. In a 2002 speech, the same Schyman famously posited that Swedish men were just like the Islamic Taliban regime in Afghanistan. A male columnist in national newspaper *Aftonbladet* responded by saying that Schyman was right: All men are like the Taliban.

Misandry, the hatred of men, isn't necessarily less prevalent than misogyny, the hatred of women. The difference is that the former is much more socially acceptable.

When young politician Kjetil Vevle showed up for a meeting[13] planning the demonstrations at that year's protests at the International Women's Day on 8 March in the city of Bergen, Norway, he was told that men didn't have voting rights at the meeting even though they were passionate feminists. The leaders didn't think there was any cause for complaints, as the men had generously been awarded the right to voice their opinion, just not the right to make decisions.

Although countries such as Norway and Sweden like to portray themselves as havens of gender equality[14], I have heard visitors comment that the sexes are probably further apart here than anywhere else in the world. Radical feminism has bred suspicion and hostility, not cooperation. And it has no in any way eradicated the basic sexual attraction

between feminine women and masculine men. If people do not find this in their own country, they travel to another country to find it, which is now easier than ever. A striking number of Scandinavian men find their wives in East Asia, Latin America or other nations with a more traditional view of femininity, and a number of women find partners from more conservative countries, too. Not everyone, of course, but the trend is unmistakable. Scandinavians celebrate "gender equality" and travel to the other side of the world to find somebody actually worth marrying.

Norway and Sweden are countries with extremely high divorce rates. Boys grow up in an atmosphere where masculinity is demonised, attend a school system where they are viewed as deficient girls and are told by the media that men are obsolete and will soon be rendered extinct anyway.

A feminist culture will eventually end up being squashed, because the men have either become too demoralised and weakened to protect their women, or because they have become so fed-up with incessant ridicule that they just don't care anymore. If Western men are pigs and "just like the Taliban" no matter what we do, why bother? Western women will then be squashed by more aggressive men from other cultures, which is exactly what is happening[15] in Western Europe now. The irony is that when women launched the Second Wave of Feminism in the 1960s and 70s, they were reasonably safe and, in my view, not very oppressed. When the long-term effects of feminism finally set in, Western women may very well end up being genuinely oppressed under the boot of Islam. Radical feminism thus leads to oppression of women.

I wonder whether Virginia Wolf saw this coming. Maybe if she were alive today, she would hail the Islamic veil as an "alternative road to feminism" and write a book called *A Burka of One's Own*. With some luck, it might even have earned her a Diversity Scholarship at Harvard.

Sources:

<http://www.brusselsjournal.com/node/1908>

1. <http://www.city-journal.org/html/eon2007-02-09hm.html>
2. <http://www.dallasnews.com/sharedcontent/dws/dn/opinion/points/stories/040305dnediallen.35261.html>
3. <http://education.independent.co.uk/higher/article2024763.ece>
4. <http://www.globalpolitician.com/node/1300>
5. <http://www.globalpolitician.com/node/1282>
6. <http://www.news.harvard.edu/gazette/2006/12.07/11-fried.html>
7. <http://www.globalpolitician.com/node/975>
8. <http://www.jihadwatch.org/dhimmiwatch/archives/015022.php>
9. http://www.grecoreport.com/gramsci_a_method_to_the_madness.htm
10. <http://www.reason.com/news/show/33291.html>
11. <http://www.spectator.se/stambord/index.php?p=412>
12. <http://www.spectator.se/stambord/index.php?p=240>
13. <http://hablog.motime.com/post/642151/Kj%C3%B8nnskampen+krever+nye+ofre>
14. <http://gatesofvienna.blogspot.com/2006/09/western-feminism-and-need-for.html>
15. <http://fjordman.blogspot.com/2005/12/immigrant-rape-wave-in-sweden.html>

2.11 What is the Cause of Low Birth Rates?

By Fjordman

What causes low birth rates? I have debated this issue at some length with blogger "Conservative Swede". Among the reasons frequently cited are the welfare state, feminism and secularism. However, if you look closely at the statistics from various countries, the picture gets quite complex, and there doesn't appear to be an automatic correlation between low birth rates and any one of these factors.

The United States has the highest birth rates in the West, but this is largely due to ethnic minorities. If you compare white Americans to white Europeans, the American birth rate is somewhat higher than those of the Scandinavian nanny states, but still lower than replacement level. Scandinavian countries such as Norway and Sweden do have elaborate welfare states, high degrees of feminism and are not very religious, yet have some of the highest birth rates in the Western world (though still below replacement level.) They are certainly much higher than those in Catholic Poland, perhaps the most conservative religious country in Europe. And they are much higher than those of South Korea, which has more traditional sex roles and where Christianity is booming these days.

The gap between the Western world and the Islamic world[1] in birth rates is clearly caused by religious factors, but the differences between industrialised nations are far more difficult to explain. If the cause is not welfarism, feminism or secularism, then what is it?

Making mums: Can we feed the need to breed? Canada has a baby deficit. Will paying women to have more kids help?[2]

How strange, then, that just as the mummy industry is booming, we're in the grips of a baby bust. Canada's fertility rate has been in a free fall for decades. In recent years, though, it has hovered at an all-time low of roughly 1.5 children per woman (we need 2.1 if we're going to replace ourselves). Social analysts pin it on some jumble of female education and fiscal autonomy, secularisation, birth control, *Sex and the City*, a heightened desire for personal freedom, and increasing uncertainty about bringing a child into a world plagued by terrorism, global warming and Lindsay Lohan. In a hyper-individualistic, ultra-commodified culture like ours, motherhood, for better and worse, is less a fact of life than just another lifestyle choice.

All over the developed world, the same pattern is apparent. Russia, Britain, Ireland, Australia, Spain, Italy and dozens of other countries are contending with fertility rates well below replacement levels. Forty per cent of female university graduates in Germany are childless. In Japan, where the birth rate has sunk to a record low of 1.26, family planning groups are blaming the Internet, charging that fertile men and women are spending too much time online, and not enough having sex.

Making Kids Worthless: Social Security's Contribution to the Fertility Crisis[3]

Many people nowadays find it hard to see why anyone would have children for the sake of old-age security. Surely, they think, people have children just because they like it. Still, they often hear people say they would like to have more children, but they cannot afford it. Moreover, people in less developed countries seem to afford large families, even though their real incomes barely reach subsistence levels.

What can account for these seemingly conflicting observations? The fact that in the absence

of social security, the extended family is an informal social insurance mechanism that renders childbearing economically beneficial. But in countries with large social security systems, people no longer have an old-age security motive for fertility, precisely because social security has made fertility economically unwise.

Of course, social security is not the only reason for declining fertility rates. For one thing, the welfare state undermines the family in many other ways too, such as compulsory public education that seeks to replace family loyalty with allegiance to the state. Moreover, the old-age security motive for fertility should become weaker when other ways of providing for old age become available...

One can also look at differences among the developed Western countries. Among these countries, there are practically no differences in infant mortality rates, female labour force participation rates, and other standard explanations of the fertility decline. Yet total fertility rates differ widely — and exactly in the way predicted by the size of social security systems. The United States has a fertility rate of 2.09, whereas the European Union has an average of 1.47.

Also within Europe, where social security benefits are dangerously generous, there are differences among countries. Some of the most generous schemes are found in Germany, France, and the Mediterranean countries — as are the lowest fertility rates in the region. On the surface, it is surprising to find this in countries that used to be family-oriented and fervently Catholic. However, economic incentives shape behaviour, and behaviour shapes culture...

The best solution is also the simplest: get the state out of the way.

Death by secularism: Some statistical evidence[4]

Infertility is killing off the secular world, a number of writers have observed, including Phillip Longman, whose 1994 book *The Empty Cradle* I reviewed last year. In the former Soviet empire, where atheism reigned as state policy for generations, the United Nations forecasts extreme declines in population by 2050, ranging from 22% for the Russian Federation to nearly 50% for the Ukraine. Secular western Europe will lose 4% to 12% of its population, while the population of the churchgoing United States continues to grow. Is secularism at fault? The numbers do not suggest otherwise.

Humankind cannot abide the terror of mortality without the promise of immortality, I have argue in the past. In the absence of religion human society sinks into depressive torpor. Secular society therefore is an oxymoron, for the death of religion leads quickly enough to the death of society itself.

Why Europe chooses extinction[5]

Demographics is destiny. Never in recorded history have prosperous and peaceful nations chosen to disappear from the face of the earth. Yet that is what the Europeans have chosen to do. Back in 1348 Europe suffered the Black Death, a combination of bubonic plague and likely a form of mad cow disease, observes American Enterprise Institute scholar Ben Wattenberg. "The plague reduced the estimated European population by about a third. In the next 50 years, Europe's population will relive — in slow motion — that plague demography, losing about a fifth of its population by 2050 and more as the decades roll on."

Bring back that Old Time Religion[6]

[S]ecularism promotes a more short term and hedonistic attitude towards life. Since secular people have little faith in God or an after life, the tendency is for them to adopt the attitude of "Eat, drink and be merry, for tomorrow we die". Of course, not all secular people are like that. But in general, secularism promotes such attitudes.

Their time horizon is therefore their own lifetime. Religious people on the other hand are more long term. Their eyes are on eternity. If you go to Europe, you will come across many Cathedrals that took centuries to build. For example, Cologne Cathedral took more than 300 years to complete.

Why did the Medieval Christians start a project that none of them would live to see its completion? The answer is that they look to the hereafter. Their desire was to please God and go to heaven. They say that faith can move mountains. Here a mountain of stone was literally moved to build the great Cathedrals of Europe.

But what of the secular people in now post-Christian Europe? What are the economic consequences of people whose time frame is simply the rest of their lives?

For a start, they (in general) want to enjoy their lives to the hilt. For some, this could mean early retirement with loss of still productive workers to the economy. For others, it could mean fewer or no children for children means responsibility and a tax on their resources which could be used to indulge themselves. Statistics from America have shown that regular church goers tend to have more children than those that seldom attend church.

So the question becomes: do we make demands on individuals and possibly restrict individual liberty to encourage breeding, introduce new forms of incentives or do we invest billions in developing artificial wombs and contract the parenting out to a new population industry? Perhaps we should go back to third world conditions and values to increase fertility rates?

The main problem is the working women. I'm not against it. I'm all for it in fact. The thing is, there's a lot of women who want to have kids but can't because they'd reduce their income without reducing their outgoings, which is now increasingly a result of taxes and interest payments. So they work, and reason that they can have kids at a later age, not realising that the statistics for fertility after the age of 30 look dire at best.

Personally, I think the following incentive would prove to be successful:

The state invests in/buys/builds X amount of housing units (designed for a family with 3 children). All married couples who has three children will have a prerogative to one of these housing units immediately after the third child is born. They have the right to live in this housing unit until their youngest child is 18. If the couple breaks up the family forfeits their right to the housing unit and are forced to move out. This will both work as a great incentive for family unity and encourage people to have more than 2 children. It will also lessen the financial pressure on the mother to have a full time job while caring for 3 or more children. The housing units should be more attractive than the national standard (as the main point is to make them attractive enough) and could include free kindergardens located on the ground floor. If needed, more incentives can be added to the "housing unit incentive" for families with 3 or more children, until we reach an average birth rate of 2,1 or even up to 2,5 if desired. Obviously, a project of this magnitude would require visionary leaders which todays Western European countries lack.

The above solution isn't perfect, but it's a simple and effective method which would most likely increase that country's birth rate considerably (and contribute to family unity). However, a method like this would prove to be too effective and would therefore

undermine the current justification of multiculturalism (the core mantra: we need more Muslims to replace our aging populations!).

Sources:

<http://gatesofvienna.blogspot.com/2007/05/what-is-cause-of-low-birth-rates.html>

1. <http://www.jihadwatch.org/archives/015598.php>
2. http://www.macleans.ca/article.jsp?content=20070528_105313_105313
3. <http://www.mises.org/story/2451>
4. http://www.atimes.com/atimes/Front_Page/GH02Aa01.html
5. http://www.atimes.com/atimes/front_page/ED08Aa01.html
6. <http://www.faithfreedom.org/oped/Ohmyrus50810.htm>

2.12 The Fatherless Civilisation

By Fjordman

"An autopsy of history would show that all great nations commit suicide. "

Arnold Toynbee

American columnist Diana West recently released her book *The Death of the Grown-up*, where she traces the decline of Western civilisation to the permanent youth rebellions of the past two generations. The decade from the first half of the 1960s to the first half of the 1970s was clearly a major watershed in Western history, with the start of non-Western mass immigration in the USA, the birth of Eurabia in Western Europe and the rise of multiculturalism and radical Feminism.

The paradox is that the people who viciously attacked their own civilisation had enjoyed uninterrupted economic growth for decades, yet embraced Marxist-inspired ideologies and decided to undermine the very society which had allowed them to live privileged lives. Maybe this isn't as strange as it seems. Karl Marx himself was aided by the wealth of Friedrich Engels, the son of a successful industrialist.

This was also the age of decolonisation in Western Europe and desegregation in the USA, which created an atmosphere where Western civilisation was seen as evil. Whatever the cause, we have since been stuck in a pattern of eternal opposition to our own civilisation. Some of these problems may well have older roots, but they became institutionalised to an unprecedented degree during the 1960s.

According to Diana West^[1], the organising thesis of her book "is that the unprecedented transfer of cultural authority from adults to adolescents over the past half century or so has dire implications for the survival of the Western world." Having redirected our natural development away from adulthood and maturity in order to strike the pop-influenced pose of eternally cool youth – ever-open, non-judgmental, self-absorbed, searching for (or just plain lacking) identity – we have fostered a society marked by these same traits. In short: Westerners live in a state of perpetual adolescence, but also with a corresponding perpetual identity crisis. West thinks maturity went out of style in the rebellious 1960s, "the biggest temper tantrum in the history of the world," which flouted authority figures of any kind.

She also believes that although the most radical break with the past took place during the 60s and 70s, the roots of Western youth culture are to be found in the 1950s with the birth of rock and roll music, Elvis Presley and actors such as James Dean. Pop group The Beatles embodied this in the early 60s, but changed radically in favor of drugs and the rejection of established wisdom as they approached 1970, a shift which was reflected in the entire culture.

Personally, one of my favourite movies from the 1980s was Back to the Future. In one of the scenes, actor Michael J. Fox travels in time from 1985 to 1955. Before he leaves 1985, he hears the slogan "Re-elect Mayor....Progress is his middle name." The same slogan is repeated in 1955, only with a different name. Politics is politics in any age. Writers Robert Zemeckis and Bob Gale have stated that they chose the year 1955 as the setting of the movie because this was the age of the birth of teen culture: This was when the teenager started to rule, and he has ruled ever since.

As West says[2], many things changed in the economic boom in the decades following the Second World War: "When you talk about the postwar period, the vast new affluence is a big factor in reorienting the culture to adolescent desire. You see a shift in cultural authority going to the young. Instead of kids who might take a job to be able to help with household expenses, all of a sudden that pocket money was going into the manufacture of a massive new culture. That conferred such importance to a period of adolescence that had never been there before." After generations of this celebration of youth, the adults have no confidence left: "Kids are planning expensive trips, going out unchaperoned, they are drinking, debauching, absolutely running amok, yet the parents say, 'I can't do anything about it.' Parents have abdicated responsibilities to give in to adolescent desire."

She believes that "Where womanhood stands today is deeply affected by the death of grown-up. I would say the sexualised female is part of the phenomenon I'm talking about, so I don't think they're immune to the death of the grown-up. Women are still emulating young fashion. Where sex is more available, there are no longer the same incentives building toward married life, which once was a big motivation toward the maturing process."

Is she right? Have we become a civilisation of Peter Pans refusing to grow up? Have we been cut off from the past by disparaging everything old as outmoded? I know blogger Conservative Swede, who likes Friedrich Nietzsche, thinks we suffer from "slave morality," but I sometimes wonder whether we suffer from child morality rather than slave morality. However, there are other forces at work here as well.

The welfare state encourages an infantilisation of society where people return to childhood by being provided for by others. This creates not just a culture obsessed with youth but with adolescent irresponsibility. Many people live in a constant state of rebellion against not just their parents but their nation, their culture and their civilisation.

Writer Theodore Dalrymple thinks[3] one reason for the epidemic of self-destructiveness in Western societies is the avoidance of boredom: "For people who have no transcendent purpose to their lives and cannot invent one through contributing to a cultural tradition (for example), in other words who have no religious belief and no intellectual interests to stimulate them, self-destruction and the creation of crises in their life is one way of warding off meaninglessness."

According to him, what we are seeing now[4] is "a society in which people demand to behave more or less as they wish, that is to say whimsically, in accordance with their kaleidoscopically changing desires, at the same time as being protected from the natural consequences of their own behaviour by agencies of the state. The result is a combination of Sodom and Gomorrah and a vast and impersonal bureaucracy of welfare."

The welfare state deprives you of the possibility of deriving self-respect from your work. This can hurt a person's self-respect, but more so for men than for women because masculine identity is closely tied to providing for others. Stripped of this, male self-respect declines and society with it. Dalrymple also worries about the end of fatherhood, and believes that the worst child abusers[5] are governments promoting the very circumstances in which child abuse and neglect are most likely to take place: "He who promotes single parenthood is indifferent to the fate of children." Fatherhood scarcely exists, except in the merest biological sense:

"I worked in a hospital in which had it not been for the children of Indian immigrants, the illegitimacy rate of children born there would have approached one hundred per cent. It became an almost indelicate question to ask of a young person who his or her father was; to me, it was still an astounding thing to be asked, 'Do you mean my father now, at the moment?' as if it could change at any time and had in fact changed several times before."

This is because "women are to have children merely because they want them, as is their government-given right, irrespective of their ability to bring them up, or who has to pay for them, or the consequences to the children themselves. Men are to be permanently infantilised, their income being in essence pocket money for them to spend on their enjoyments, having no serious responsibilities at all (beyond paying tax). Henceforth, the state will be father to the child, and the father will be child of the state."

As Swedish writer Per Bylund explains[6]: "Most of us were not raised by our parents at all. We were raised by the authorities in state daycare centers from the time of infancy; then pushed on to public schools, public high schools, and public universities; and later to employment in the public sector and more education via the powerful labour unions and their educational associations. The state is ever-present and is to many the only means of survival – and its welfare benefits the only possible way to gain independence."

Though Sweden is arguably an extreme case, author Melanie Phillips notices[7] the same trends in Britain, too: "Our culture is now deep into uncharted territory. Generations of family disintegration in turn are unravelling the fundamentals of civilised human behaviour. Committed fathers are crucial to their children's emotional development. As a result of the incalculable irresponsibility of our elites, however, fathers have been seen for the past three decades as expendable and disposable. Lone parenthood stopped being a source of shame and turned instead into a woman's inalienable right. The state has provided more and more inducements to women – through child benefit, council flats and other welfare provision – to have children without committed fathers. This has produced generations of women-only households, where emotionally needy girls so often become hopelessly inadequate mothers who abuse and neglect their own children – who, in turn, perpetuate the destructive pattern. This is culturally nothing less than suicidal."

I sometimes wonder whether the modern West, and Western Europe in particular, should be dubbed the Fatherless Civilisation. Fathers have been turned into a caricature and there is a striking demonisation of traditional male values. Any person attempting to enforce rules and authority, a traditional male preserve, is seen as a Fascist and ridiculed, starting with God the Father. We end up with a society of vague fathers who can be replaced at the whim of the mothers at any given moment. Even the mothers have largely abdicated, leaving the upbringing of children to schools, kindergartens and television. In fashion and lifestyle, mothers imitate their daughters, not vice versa.

The elaborate welfare state model in Western Europe is frequently labelled "the nanny state," but perhaps it could also be named "the husband state." Why? Well, in a traditional society, the role of men was to physically protect and financially provide for their women. In our modern society, part of this task has been "outsourced" to the state,

which helps explain why women in general give disproportionate support to high taxation and pro-welfare state parties. According to anthropologist Lionel Tiger, the ancient unit of a mother, a child and a father has morphed from monogamy into "bureaugamy," a mother, a child and a bureaucrat. The state has become a substitute husband. In fact, it doesn't replace just the husband, it replaces the entire nuclear and extended family, raises the children and cares for the elderly.

Øystein Djupedal, Minister of Education and Research from the Socialist Left Party and responsible for Norwegian education from kindergartens via high schools to PhD level, has stated[8]: "I think that it's simply a mistaken view of child-rearing to believe that parents are the best to raise children. 'Children need a village,' said Hillary Clinton. But we don't have that. The village of our time is the kindergarten." He later retracted this statement, saying that parents have the main responsibility for raising children, but that "kindergartens are a fantastic device for children, and it is good for children to spend time in kindergarten before [they] start school."

The problem is that some of his colleagues use the kindergarten as the blueprint for society as a whole, even for adults. In the fall of 2007, Norway's center-left government issued a warning to 140 companies that still hadn't fulfilled the state-mandated quota of 40 percent women on their boards of directors. Equality minister Karita Bekkemellem stated[9] that companies failing to meet the quota will face involuntary dissolution, despite the fact that many are within traditionally male-oriented branches like the offshore oil industry, shipping and finance. She called the law "historic and radical" and said it will be enforced.

Bekkemellem is thus punishing the naughty children who refuse to do as Mother State tells them to, even if these children happen to be private corporations. The state replaces the father in the sense that it provides for you financially, but it acts more like a mother in removing risks and turning society into a cozy, regulated kindergarten with ice cream and speech codes.

Blog reader Tim W. thinks[10] women tend to be more selfish than men vis-a-vis the opposite sex: "Men show concern for women and children while women.... well, they show concern for themselves and children. I'm not saying that individual women don't show concern for husbands or brothers, but as a group (or voting bloc) they have no particular interest in men's well-being. Women's problems are always a major concern but men's problems aren't. Every political candidate is expected to address women's concerns, but a candidate even acknowledging that men might have concerns worth addressing would be ostracised." What if men lived an average of five years and eight months longer than women? Well, if that were the case, we'd never hear the end of it: "Feminists and women candidates would walk around wearing buttons with 'five years, eight months' written on them to constantly remind themselves and the world about this horrendous inequity. That this would happen, and surely it would, says something about the differing natures of male and female voters."

Bernard Chapin interviewed Dr. John Lott[11] at Frontpage Magazine. According to Lott, "I think that women are generally more risk averse than men are and they see government as one way of providing insurance against life's vagaries. I also think that divorced women with kids particularly turn towards government for protection. Simply giving women the right to vote explained at least a third of the growth in government for about 45 years."

He thinks this "explains a lot of the government's growth in the US but also the rest of the world over the last century. When states gave women the right to vote, government spending and tax revenue, even after adjusting for inflation and population, went from not growing at all to more than doubling in ten years. As women gradually made up a greater and greater share of the electorate, the size of government kept on increasing.

This continued for 45 years as a lot of older women who hadn't been used to voting when suffrage first passed were gradually replaced by younger women. After you get to the 1960s, the continued growth in government is driven by higher divorce rates. Divorce causes women with children to turn much more to government programs." The liberalisation of abortion also led to more single parent families.

Diana West thinks what we saw in the counterculture of the 1960s was a leveling^[12] of all sorts of hierarchies, both of learning and of authority. From that emerged the leveling of culture and by extension multiculturalism. She also links this trend to the nanny state:

"In considering the strong links between an increasingly paternalistic nanny state and the death of the grown-up, I found that Tocqueville (of course) had long ago made the connections. He tried to imagine under what conditions despotism could come to the United States. He came up with a vision of the nation characterised, on the one hand, by an 'innumerable multitude of men, alike and equal, constantly circling around in pursuit of the petty and banal pleasures with which they glut their souls,' and, on the other, by the 'immense protective power' of the state. 'Banal pleasures' and 'immense state power' might have sounded downright science-fictional in the middle of the 19th century; by the start of the 21st century, it begins to sound all too familiar. Indeed, speaking of the all-powerful state, he wrote: 'It would resemble parental authority if, fatherlike, it tried to prepare its charges for a man's life, but, on the contrary, it only tries to keep them in perpetual childhood.' Perhaps the extent to which we, liberals and conservatives alike, have acquiesced to our state's parental authority shows how far along we, as a culture, have reached Tocqueville's state of 'perpetual childhood.'"

This problem is even worse in Western Europe, a region with more elaborate welfare states than the USA and which has lived under the American military umbrella for generations, thus further enhancing the tendency for adolescent behaviour.

The question, which was indirectly raised by Alexis de Tocqueville in the 1830s in his book *Democracy in America*, is this: If democracy of universal suffrage means that everybody's opinion is as good as everybody else's, will this sooner or later turn into a society where everybody's choices are also as good as everybody else's, which leads to cultural relativism? Tocqueville wrote at a time when only men had the vote. Will universal suffrage also lead to a situation where women vote themselves into possession of men's finances while reducing their authority and creating powerful state regulation of everything?

I don't know the answer to that. What I do know is that the current situation isn't sustainable. The absence of fatherhood has created a society full of social pathologies, and the lack of male self-confidence has made us easy prey for our enemies. If the West is to survive, we need to reassert a healthy dose of male authority. In order to do so we need to roll back the welfare state. Perhaps we need to roll back some of the excesses of Western Feminism^[13], too.

Sources:

<http://www.brusselsjournal.com/node/2572>

1. <http://www.frontpagemag.com/Articles/Read.aspx?GUID=1C138B13-6680-446B-AA80-FF317A0901B9>

2. <http://www.msnbc.msn.com/id/20519355/site/newsweek/>

3. <http://www.frontpagemag.com/Articles/Read.aspx?GUID={D2C70DCE-BF86-4761-9788-03AB7FAB2608}>

4. <http://dansk-svensk.blogspot.com/2007/08/angst-der-nationer-op.html>

5.

<http://www.telegraph.co.uk/opinion/main.jhtml?xml=/opinion/2004/01/22/do2201.xml&sSheet=/opinion/2004/01/22/ixopinion.html>

<http://48.864.2.327subf37:KTynmwf3967376847666b>

6. <http://www.mises.org/story/2190>

7. <http://www.melaniephillips.com/articles-new/?p=503>

8. <http://gatesofvienna.blogspot.com/2006/08/welfare-state-is-dead-long-live.html>

9. <http://www.aftenposten.no/english/business/article2045491.ece>
10. <http://www.amnation.com/vfr/archives/008277.html>
11. <http://www.frontpagemag.com/Articles/Read.aspx?GUID=efa81694-2e09-4b51-ad36-19e1d125aef0>
12. http://tabacco.blog-city.com/diana_west_author_of_the_death_of_the_grownup_how_americ.htm
13. <http://www.brusselsjournal.com/node/1908>

2.13 The Western European cultural Marxist/multiculturalist intellectual elite – who are they?

Cultural Marxists, suicidal humanists or capitalist globalists are all multiculturalists. "Multiculturalist" is a label for individuals who support multiculturalism (what was earlier referred to as "social engineering"); the European hate ideology which was created to destroy our European cultures, national cohesion and Christendom (in other words Western civilisation itself). Most people still use the more known stereotypical labels such as: "socialists", collectivists, feminists, humanists, egalitarians, gay and disability activists, animal rights activists, environmentalists etc. However, not all from the given groups are to be considered cultural Marxists. The common factor for the definition of cultural Marxists is their support to multiculturalism, a political ideology which have allowed Islamic demographic warfare to be initiated.

The group referred to as cultural Marxists/multiculturalists consist of politicians, primarily from the alliance of European political parties known as "the MA 100" (political parties in Western Europe who support multiculturalism) and EU parliamentarians. They are elected and non-elected parliamentarians, their advisors and any public and/or corporate servant who has been and still are indirectly or directly implicated in justifying of propagating multiculturalism.

They consist of individuals from various professional groups (but not limited to): politicians, political advisors, leaders in various NGOs, journalists, teachers, university professors, various school/university board members, publicists, radio commentators, writers of fiction, cartoonists, and artists. It also includes many individuals from professional groups such as: technicians, scientists, doctors and even Church leaders. These intellectuals are the organs which modern society has developed for spreading knowledge and ideas, and it is their convictions and opinions which operate as the sieve through which all new conceptions must pass before they can reach the masses.

The most brilliant and successful teachers are today more likely than not to be cultural Marxists. This is not because they are more intelligent, but because a much higher proportion of cultural Marxists among the best minds devote themselves to those intellectual pursuits which in modern society give them a decisive influence on public opinion. Cultural Marxists thought owes its appeal to the young largely to its visionary character. The intellectual, by his whole disposition, is uninterested in technical details or practical difficulties. What appeal to him are the broad visions.

Cultural Marxism/multiculturalism has never and nowhere been at first a working-class movement. It is a construction of theorists" and intellectuals, "the second-hand dealers in ideas." The typical intellectual need not possess special knowledge of anything in particular, nor need he even be particularly intelligent, to perform his role as intermediary in the spreading of ideas.

The free society as we have known it carries in itself the forces of its own destruction, once freedom has been achieved it is taken for granted and ceases to be valued, and the free growth of ideas, which is the essence of a free society, will bring about the destruction of the foundations on which it depends.

Two examples of the most dangerous European cultural Marxists:

1. José Manuel Durão Barroso - European Commission president
2. Tony Blair – possibly the future European Commission president

Mr Barroso's background reveals his political outlook. During his college days he was one of the leaders of the underground Maoist MRPP (Reorganising Movement of the Proletariat Party, later PCTP/MRPP Communist Party of the Portuguese Workers/Revolutionary Movement of the Portuguese Proletariat).

Despite this, the Tories and the rest of their so-called "European Conservatives and Reformists" group voted for Mr Barroso, ignoring the fact that he is one of the greatest proponents of the Lisbon Treaty and the extension of the EU's power to take over almost all national rights such as foreign affairs, immigration, border control and defence.

To illustrate this further, let's take a look at a few of the recent news highlights:

2.14 Labour wants mass immigration to engineer multicultural UK, says former Blair and Straw adviser.

By Tom Whitehead, Home Affairs Editor - Published: 6:42PM BST 23 Oct 2009

Labour threw open Britain's borders to mass immigration to help socially engineer a "truly multicultural" country, a former Government adviser has revealed. The allegation was made after a former Labour adviser said the Government opened up UK borders partly to humiliate Right-wing opponents of immigration.

The huge increases in migrants over the last decade were partly due to a politically motivated attempt by ministers to radically change the country and "rub the Right's nose in diversity", according to Andrew Neather, a former adviser to Tony Blair, Jack Straw and David Blunkett.

He said Labour's relaxation of controls was a deliberate plan to "open up the UK to mass migration" but that ministers were nervous and reluctant to discuss such a move publicly for fear it would alienate its "core working class vote".

As a result, the public argument for immigration concentrated instead on the economic benefits and need for more migrants.

Critics said the revelations showed a "conspiracy" within Government to impose mass immigration for "cynical" political reasons.

Mr Neather was a speech writer who worked in Downing Street for Tony Blair and in the Home Office for Jack Straw and David Blunkett, in the early 2000s.



Writing in the *Evening Standard*, he revealed the "major shift" in immigration policy came after the publication of a policy paper from the Performance and Innovation Unit, a Downing Street think tank based in the Cabinet Office, in 2001.

He wrote a major speech for Barbara Roche, the then immigration minister, in 2000, which was largely based on drafts of the report.

He said the final published version of the report promoted the labour market case for immigration but unpublished versions contained additional reasons, he said.

He wrote: "Earlier drafts I saw also included a driving political purpose: that mass immigration was the way that the Government was going to make the UK truly multicultural.

"I remember coming away from some discussions with the clear sense that the policy was intended – even if this wasn't its main purpose – to rub the Right's nose in diversity and render their arguments out of date."

The "deliberate policy", from late 2000 until "at least February last year", when the new points based system was introduced, was to open up the UK to mass migration, he said.

Some 2.3 million migrants have been added to the population since then, according to Whitehall estimates quietly slipped out last month.

On Question Time on Thursday, Mr Straw was repeatedly quizzed about whether Labour's immigration policies had left the door open for the BNP.

In his column, Mr Neather said that as well as bringing in hundreds of thousands more migrants to plug labour market gaps, there was also a "driving political purpose" behind immigration policy.

He defended the policy, saying mass immigration has "enriched" Britain, and made London a more attractive and cosmopolitan place.

But he acknowledged that "nervous" ministers made no mention of the policy at the time for fear of alienating Labour voters.

"Part by accident, part by design, the Government had created its longed-for immigration boom.

"But ministers wouldn't talk about it. In part they probably realised the conservatism of their core voters: while ministers might have been passionately in favour of a more diverse society, it wasn't necessarily a debate they wanted to have in working men's clubs in Sheffield or Sunderland."

Sir Andrew Green, chairman of the Migrationwatch think tank, said: "Now at least the truth is out, and it's dynamite.

"Many have long suspected that mass immigration under Labour was not just a cock up but also a conspiracy. They were right.

"This Government has admitted three million immigrants for cynical political reasons concealed by dodgy economic camouflage."

The chairmen of the cross-party Group for Balanced Migration, MPs Frank Field and Nicholas Soames, said: "We welcome this statement by an ex-adviser, which the whole country knows to be true.

"It is the first beam of truth that has officially been shone on the immigration issue in Britain."

A Home Office spokesman said: "Our new flexible points based system gives us greater control on those coming to work or study from outside Europe, ensuring that only those that Britain need can come.

"Britain's borders are stronger than ever before and we are rolling out ID cards to foreign nationals, we have introduced civil penalties for those employing illegal workers and from the end of next year our electronic border system will monitor 95 per cent of journeys in and out of the UK.

"The British people can be confident that immigration is under control."

It also emerged that:

- Home Office Minister Barbara Roche, who pioneered the open-door policy, wanted to restore her Labour reputation after being attacked by Left-wingers for condemning begging by immigrants as 'vile'.
- Civil servant Jonathan Portes, who wrote the immigration report, was a speechwriter for Gordon Brown and is now a senior aide to Cabinet Secretary Sir Gus O'Donnell.
- Labour chiefs decided to brand Tory leaders William Hague and Michael Howard as racists to deter them from criticising the covert initiative.

A report, entitled Research, Development And Statistics Occasional Paper No67 - Migration: An Economic And Social Analysis, was published in January 2001 by the Home Office, then run by Mr Straw.

Most of its key statistics came from a PIU team led by Mr Portes. The report paints a rosy picture of mass immigration, stating: 'There is little evidence that native workers are harmed by migration. The broader fiscal impact is likely to be positive because a greater proportion of migrants are of working age and migrants have higher average wages than natives.'

It goes on: 'Most British regard immigration as having a positive effect on British culture.'

Sources:

1. <http://www.telegraph.co.uk/news/newsttopics/politics/lawandorder/6418456/Labour-wanted-mass-immigration-to-make-UK-more-multicultural-says-former-adviser.html>

2. <http://www.dailymail.co.uk/news/article-1222613/Labour-let-migrants-engineer-multicultural-UK.html?ITO=1490&referrer=yahoo>

3. <http://www.dailymail.co.uk/news/article-1222769/Dishonest-Blair-Straw-accused-secret-plan-multicultural-UK.html>

Continuation of story:

2.15 The outrageous truth slips out: Labour cynically plotted to transform the entire make-up of Britain without telling us

By Melanie Phillips

So now the cat is well and truly out of the bag. For years, as the number of immigrants to Britain shot up apparently uncontrollably, the question was how exactly this had happened.

Was it through a fit of absent-mindedness or gross incompetence? Or was it not inadvertent at all, but deliberate?

The latter explanation seemed just too outrageous. After all, a deliberate policy of mass immigration would have amounted to nothing less than an attempt to change the very make-up of this country without telling the electorate.

There could not have been a more grave abuse of the entire democratic process. Now, however, we learn that this is exactly what did happen. The Labour government has been engaged upon a deliberate and secret policy of national cultural sabotage.

This astonishing revelation surfaced quite casually last weekend in a newspaper article by one Andrew Neather. He turns out to have been a speech writer for Tony Blair, Jack Straw and David Blunkett.

And it was he who wrote a landmark speech in September 2000 by the then immigration minister, Barbara Roche, that called for a loosening of immigration controls. But the true scope and purpose of this new policy was actively concealed.

In its 1997 election manifesto, Labour promised 'firm control over immigration' and in 2005 it promised a 'crackdown on abuse'. In 2001, its manifesto merely said that the immigration rules needed to reflect changes to the economy to meet skills shortages.

But all this concealed a monumental shift of policy. For Neather wrote that until 'at least February last year', when a new points-based system was introduced to limit foreign workers in response to increasing uproar, the purpose of the policy Roche ushered in was to open up the UK to mass immigration.

This has been achieved. Some 2.3million migrants have been added to the population since 2001. Since 1997, the number of work permits has quadrupled to 120,000 a year.

Unless policies change, over the next 25 years some seven million more will be added to Britain's population, a rate of growth three times as fast as took place in the Eighties.

Such an increase is simply unsustainable. Britain is already one of the most overcrowded countries in Europe. But now look at the real reason why this policy was introduced, and in secret. The Government's 'driving political purpose', wrote Neather, was 'to make the UK truly multicultural'.

It was therefore a politically motivated attempt by ministers to transform the fundamental make-up and identity of this country. It was done to destroy the right of the British people to live in a society defined by a common history, religion, law, language and traditions.

It was done to destroy for ever what it means to be culturally British and to put another 'multicultural' identity in its place. And it was done without telling or asking the British

people whether they wanted their country and their culture to be transformed in this way.

Spitefully, one motivation by Labour ministers was 'to rub the Right's nose in diversity and render their arguments out of date'.

Even Neather found that particular element of gratuitous Left-wing bullying to be 'a manoeuvre too far'.

Yet apart from this, Neather sees nothing wrong in the policy he has described. Indeed, the reason for his astonishing candour is he thinks it's something to boast about. Mass immigration, he wrote, had provided the 'foreign nannies, cleaners and gardeners' without whom London could hardly function.

What elitist arrogance! As if most people employ nannies, cleaners and gardeners. And what ignorance. The argument that Britain is better off with this level of immigration has been conclusively shown to be economically illiterate.

Neather gave the impression that most immigrants are Eastern Europeans. But these form fewer than a quarter of all immigrants.

And the fact is that, despite his blithe assertions to the contrary, schools in areas of very high immigration find it desperately difficult to cope with so many children who don't even have basic English. Other services, such as health or housing, are similarly being overwhelmed by the sheer weight of numbers.

But the most shattering revelation was that this policy of mass immigration was not introduced to produce nannies or cleaners for the likes of Neather. It was to destroy Britain's identity and transform it into a multicultural society where British attributes would have no greater status than any other country's.

A measure of immigration is indeed good for a country. But this policy was not to enhance British culture and society by broadening the mix. It was to destroy its defining character altogether.

It also conveniently guaranteed an increasingly Labour-voting electorate since, as a recent survey by the Electoral Commission has revealed, some 90 per cent of black people and three-quarters of Asians vote Labour.

In Neather's hermetically sealed bubble, the benefits of mass immigration were so overwhelming he couldn't understand why ministers had been so nervous about it.

They were, he wrote, reluctant to discuss what increased immigration would mean, above all to Labour's core white working class vote. So they deliberately kept it secret.

They knew that if they told the truth about what they were doing, voters would rise up in protest. So they kept it out of their election manifestos.

It was indeed a conspiracy to deceive the electorate into voting for them. And yet it is these very people who have the gall to puff themselves up in self-righteous astonishment at the rise of the BNP.

No wonder Jack Straw was so shifty on last week's Question Time when he was asked whether it was the Government's failure to halt immigration which lay behind increasing support for the BNP.

Now we know it was no such failure of policy. It was deliberate. For the government of which Straw is such a long-standing member had secretly plotted to flood the country with immigrants to change its very character and identity.

This more than any other reason is why Nick Griffin has gained so much support. According to a YouGov poll taken after Question Time, no fewer than 22 per cent of British voters would 'seriously consider' voting for the BNP.

That nearly one quarter of British people might vote for a neo-Nazi party with views inimical to democracy, human rights and common decency is truly appalling.

The core reason is that for years they have watched as their country's landscape has been transformed out of all recognition - and that politicians from all mainstream parties have told them first that it isn't happening and second, that they are racist bigots to object even if it is.

Now the political picture has been transformed overnight by the unguarded candour of Andrew Neather's eye-opening superciliousness. For now we know that Labour politicians actually caused this to happen - and did so out of total contempt for their own core voters.

As Neather sneered, the jobs filled by immigrant workers 'certainly wouldn't be taken by unemployed BNP voters from Barking or Burnley - fascist au pair, anyone?'

So that's how New Labour views the white working class, supposedly the very people it is in politics to champion. Who can wonder that its core vote is now decamping in such large numbers to the BNP when Labour treats them like this?

Condemned out of its own mouth, it is New Labour that is responsible for the rise of the BNP - by an act of unalloyed treachery to the entire nation.

Source:

<http://www.dailymail.co.uk/debate/article-1222977/MELANIE-PHILLIPS-The-outrageous-truth-slips-Labour-cynically-plotted-transform-entire-make-Britain-telling-us.html>

2.16 Why the discipline of Sociology must be completely removed from Academia

Marx is considered to be the greatest contributor to the science of sociology primarily due to his analysis of capitalist societies and the various alleged injustices and economic failures that they produce, and suggested socialist remedies. The discipline of sociology appeals to Marxists and bleeding heart liberals who would rather blame others for their problems than take personal ownership of these problems.

The sociology discipline is described as the revolutionary "tools for change" by Marxist intellectuals as it contributes to institutionalise cultural Marxism/multiculturalism. Modern sociology provides an examination of the pivotal theories of Marx, Durkheim, Weber and Comte, the authors that have decisively shaped the discipline.

Students of sociology are taught how the public apparatus may be used (by deliberately manipulating statistics, and rejecting all aspects of biology) to portray and propagate a Marxist world view. Any and all faculties of sociology in the European world (US/Europe)

are therefore in many ways Marxist indoctrination camps where the students learn how to infiltrate public institutions and covertly contribute to change the character of society by presenting falsified reports and statistics.

Sociology is fundamentally anti capitalist and anti traditionalist (anti-nationalist, - patriarchal, - Christendom) and as such; anti-European by design. Furthermore, a large percentage (90%+) of sociologists refuse to acknowledge biology as relevant and instead proclaim that environment is the cause of all human behaviour.

In order to defeat one of the most devastating academic weapons of the cultural Marxists/multiculturalists, we must destroy/ban the discipline of sociology completely.

Sociology students are indoctrinated by learning (from a Marxist point of view) what is wrong in the world. As such, they are transformed into academic Marxist revolutionaries.

So why did the conservative post-WW2 European elites allow the discipline of sociology to exist and its propagators to operate freely at our universities?

The European elites at the time, underestimated the discipline as it could not directly affect the "important aspects/sectors" of society (according to their definition); defence (police/military), law and finance. Needless to say, this was a critical mistake because the discipline of Marxist sociology would later prove to significantly contribute to shape the cultural/social structures of our societies which lead to the 68 cultural Marxist revolts in the European world.

Apologists of sociology have successfully prevented the removal of the discipline using the following arguments:

Sociology aims to explain what is, not what could be. The students learn about everything that is wrong in the world (from a Marxist narrative) but NOT "specifically" how to change it. However, as we all know the students indirectly learn how to change our societies as they study other aspects of Marxism.

Imagine the following; the sociology students learned about what is wrong in the world from a Nazi narrative, that the Jew is the root of all evil. Wouldn't that have lead them to draw their own conclusions based on the self study of Nazi intellectual works (that the Jew had to be killed)? Of course it would. Regardless of which ideological narrative is chosen, the student will be brainwashed in that particular ideological direction.

The Marxist (cultural Marxist) revolutionary disciplines (disciplines of the Frankfurt school) are not limited to sociology, however; philosophy and journalism are highly affected by the same level of Marxist indoctrination. Their academic weapons are to deliberate spread their falsified and corrupted Marxist world view through statistics, reports and articles with the aim to glorify the Marxist/multiculturalist world view and to effectively undermine nationalistic/conservative/capitalist thought. These individuals must not be underestimated as they are usually very influential in society (which is the reason why 95% of them are categorised as category B traitors).

(Related professions: psychologists and social workers)

Political sociologists

Offices infiltrated by sociologists (or individuals who has a sociology major):

Public administrative positions (usually government and public agencies that administer human services).

Sectors heavily infiltrated with individuals who have taken a sociology degree/courses in sociology:

Census analyst
Community organizer
Consultant
Criminal justice planner
Demographer
Diversity related professions
Health and Family Planning
Interviewer
Jury Consultant
Labour relations
Law enforcement officer
Market researcher
Mediator
Military
Ministry
Non-profit Organizations (leaders)
NGOs (leaders)
Personnel Management
Planning Departments in various agencies
Politics
Population analyst
Public opinion pollster
Publishing - editing, research and sales
Prisons
Psychiatric social worker
Recreation worker
Researcher
Rural sociologist
School social worker
Social services volunteer coordinator
Social worker
Sociology professor
State and Local Agencies
Substance abuse counsellor
Teaching and counselling - high school, college, university
Training and development

Sociology bachelor's degree as background for graduate school in:

Journalism
Law
Medicine
Divinity School
Education
Political Science
Economics
Business Administration

Apolitical sociologists

A small minority of sociologists are not considered traitors as they are apolitical.

An alternative instead of a complete removal of the discipline of sociology from academia

Instead of destroying the discipline of sociology by removing it, an alternative approach is to completely reform it; replacing the Marxist ideological view with a conservative/anti-Marxist by instead using ideological fundamentals from the following works/authors;

The Bible
Machiavelli
George Orwell
Thomas Hobbes
John Stuart Mill
John Locke
Adam Smith
Edmund Burke
Ayn Rand
William James

2.17 The psychology of cultural Marxists

"An appeaser is one who feeds a crocodile, hoping it will eat him last."

Winston Churchill

One of the most widespread manifestations of the craziness of our world is multiculturalism, so a discussion of the psychology of multiculturalists can serve as an introduction to the discussion of the problems of Western Europe in general.

But what is multiculturalism or Cultural Communism? The movement is fragmented and it is not clear who can properly be called a cultural Marxist. When we speak of cultural Marxists in this article we have in mind mainly individuals who support multiculturalism; socialists, collectivists, "politically correct" types, feminists, gay and disability activists, animal rights activists, environmentalists etc. But not everyone who is associated with one of these movements support multiculturalism. What we are trying to get at in discussing cultural Marxists is not so much a movement or an ideology as a psychological type, or rather a collection of related types.



Our conception of cultural Marxists will remain a good deal less clear than we would wish, but there doesn't seem to be any remedy for this. All we are trying to do is indicate in a rough and approximate way the two psychological tendencies that we believe are the main driving force of modern multiculturalism. We by no means claim to be telling the WHOLE truth about cultural Marxist psychology. Also, our discussion is meant to apply to modern cultural Marxists only.

The two psychological tendencies that underlie cultural Marxists we call "feelings of inferiority" and "over-socialisation." Feelings of inferiority are characteristic of cultural Marxism as a whole, while over-socialisation is characteristic only of a certain segment of cultural Marxism; but this segment is highly influential.

Feelings of inferiority

By "feelings of inferiority" we mean not only inferiority feelings in the strictest sense but a whole spectrum of related traits: low self-esteem, feelings of powerlessness, depressive tendencies, defeatism, guilt, self-hatred, etc. We argue that cultural Marxists tend to have such feelings (possibly more or less repressed) and that these feelings are decisive in determining the direction of cultural Marxism.

When someone interprets as derogatory almost anything that is said about him (or about groups with whom he identifies) we conclude that he has inferiority feelings or low self-esteem. This tendency is pronounced among minority rights advocates, whether or not they belong to the minority groups whose rights they defend. They are hypersensitive about the words used to designate minorities. The terms "negro," "oriental," "handicapped" or "chick" for an African, an Asian, a disabled person or a woman originally had no derogatory connotation. "Broad" and "chick" were merely the feminine equivalents of "guy," "dude" or "fellow." The negative connotations have been attached to these terms by the activists themselves. Some animal rights advocates have gone so far as to reject the word "pet" and insist on its replacement by "animal companion." Leftist anthropologists go to great lengths to avoid saying anything about primitive peoples that could conceivably be interpreted as negative. They have now replaced the word "primitive" by "non-literate." They seem almost paranoid about anything that might suggest that any primitive culture is inferior to our own. (We do not mean to imply that primitive cultures ARE inferior to ours. We merely point out the hypersensitivity of leftist anthropologists.)

Those who are most sensitive about "politically incorrect" terminology are not the average black ghetto-dweller, Asian immigrant, abused woman or disabled person, but a minority of activists, many of whom do not even belong to any "oppressed" group but come from privileged strata of society. Political correctness has its stronghold among government employees, politicians, university professors and journalists and publishers in government broadcasting companies who have secure employment with comfortable salaries, and the majority of whom are heterosexual, ethnic Europeans from middle-class families.

Many cultural Marxists have an intense identification with the problems of groups that have an image of being weak (women), "so called" oppressed minorities, repellent (homosexuals), and other groups in the "victim hierarchy". The cultural Marxists themselves feel that these groups are inferior. They would never admit it to themselves that they have such feelings, but it is precisely because they do see these groups as inferior that they identify with their problems. (We do not suggest that women, Muslims, etc., ARE inferior; we are only making a point about cultural Marxist psychology).

Feminists are desperately anxious to prove that women are as strong and capable as men. Clearly they are nagged by a fear that women may NOT be as strong and as capable as men.

Cultural Marxists tend to hate anything that has an image of being strong, good and successful. They hate Europe, America, they hate Western civilisation, they hate white males, and they hate rationality. The reasons that cultural Marxists give for hating the West, etc. clearly do not correspond with their real motives. They SAY they hate the West because it is warlike, imperialistic, sexist, ethnocentric and so forth, but where these same faults appear in socialist countries or in primitive cultures, the leftist finds excuses for them, or at best he GRUDGINGLY admits that they exist; whereas he ENTHUSIASTICALLY points out (and often greatly exaggerates) these faults where they appear in Western civilisation. Thus it is clear that these faults are not the leftist's real motive for hating Europe, America and the West. He hates the West because they are strong and successful.

Words like "self-confidence," "self-reliance," "initiative," "enterprise," "optimism," etc. play little role in the cultural Marxist vocabulary. The leftist is anti-individualistic, pro-collectivist. He wants society to solve everyone's needs for them, take care of them. He is not the sort of person who has an inner sense of confidence in his own ability to solve his own problems and satisfy his own needs. The cultural Marxist is antagonistic to the concept of competition because, deep inside, he feels like a loser.

Art forms that appeal to cultural Marxist intellectuals tend to focus on sordidness, defeat and despair, or else they take an orgiastic tone, throwing off rational control as if there were no hope of accomplishing anything through rational calculation and all that was left was to immerse oneself in the sensations of the moment.

cultural Marxist philosophers tend to dismiss reason, science, objective reality and to insist that everything is culturally relative. It is true that one can ask serious questions about the foundations of scientific knowledge and about how, if at all, the concept of objective reality can be defined. But it is obvious that cultural Marxist philosophers are not simply cool-headed logicians systematically analyzing the foundations of knowledge. They are deeply involved emotionally in their attack on truth and reality. They attack these concepts because of their own psychological needs. For one thing, their attack is an outlet for hostility, and, to the extent that it is successful, it satisfies the drive for power. More importantly, the cultural Marxist hates science and rationality because they classify certain beliefs as true (i.e., successful, superior) and other beliefs as false (i.e. failed, inferior). The cultural Marxist feelings of inferiority run so deep that he/she cannot tolerate any classification of some things as successful or superior and other things as failed or inferior. This also underlies the rejection by many cultural Marxists of the concept of mental illness and of the utility of IQ tests. cultural Marxists are antagonistic to genetic explanations of human abilities or behaviour because such explanations tend to make some persons appear superior or inferior to others. Cultural Marxists prefer to give society the credit or blame for an individual's ability or lack of it. Thus if a person is "inferior" it is not his fault, but society's, because he has not been brought up properly.

The cultural Marxist is not typically the kind of person whose feelings of inferiority make him/her a braggart, an egotist, a bully, a self-promoter, a ruthless competitor. This kind of person has not wholly lost faith in himself. He has a deficit in his sense of power and self-worth, but he can still conceive of himself as having the capacity to be strong, and his efforts to make himself strong produce his unpleasant behaviour. [1] But the cultural Marxist is too far gone for that. His feelings of inferiority are so ingrained that he cannot conceive of himself as individually strong and valuable; hence the collectivism of the cultural Marxist. She can feel strong only as a member of a large organisation or a mass movement with which she identifies herself.

Notice the masochistic tendency of cultural Marxist tactics. Cultural Marxists protest by lying down in front of vehicles, they intentionally provoke police or racists to abuse them, etc. These tactics may often be effective, but many cultural Marxists use them not as a means to an end but because they PREFER masochistic tactics. Self-hatred is a cultural Marxist trait.

Cultural Marxists may claim that their activism is motivated by compassion or by moral principle, and moral principle does play a role for the cultural Marxist of the over-socialised type. But compassion and moral principle cannot be the main motives for cultural Marxist activism. Hostility is too prominent a component of cultural Marxist behaviour; so is the drive for power. Moreover, much cultural Marxist behaviour is not rationally calculated to be of benefit to the people whom they claim to be trying to help. For example, if one believes that affirmative action is good for Muslims, does it make sense to demand affirmative action in hostile or dogmatic terms? Obviously it would be more productive to take a diplomatic and conciliatory approach that would make at least

verbal and symbolic concessions to non-Muslims who think that affirmative action discriminates against them. But cultural Marxist activists do not take such an approach because it would not satisfy their emotional needs. Helping Muslims is not their real goal. Instead, problems related to Islam serve as an excuse for them to express their own hostility and frustrated need for power. In doing so they actually harm Muslims, because the activists' hostile attitude toward the non-Muslims tends to intensify the irritation or hatred.

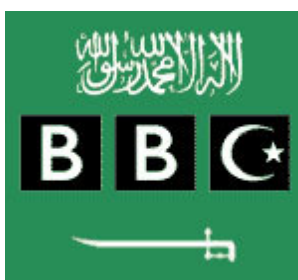
If our society had no social problems at all, the cultural Marxists would have to INVENT problems in order to provide themselves with an excuse for making a fuss.

We emphasise that the foregoing does not pretend to be an accurate description of everyone who might be considered a cultural Marxist. It is only a rough indication of a general tendency of cultural Marxism.

2.18 Democracy and the Media Bias

By Fjordman

In democratic societies the press, the Fourth Estate, should supposedly make sure that the government does its job properly as well as raise issues of public interest. In practice, we now seem to have a situation where the political elites cooperate with the media on making sure that some topics receive insufficient or unbalanced attention while others are simply kept off the agenda altogether. This isn't the case with all issues but with some more than others, especially those related to multiculturalism, mass immigration and anti-discrimination where there seems to be a near-consensus among the elites. Together they form a new political class. This trend is recognizable all over the Western world, but it has become more deeply entrenched in Western Europe than in the USA, partly because more media outlets in Europe are either controlled by or at least sponsored by the state, but mainly because the political class has become formalised through the European Union.



In Europe, politics is more and more becoming an empty ritual. The real decisions are taken before the public even get a chance to vote on them, and the media won't talk honestly about important matters. Our daily lives are run by a bloated bureaucracy which is becoming increasingly transnational. Ever so slowly, everyone is reduced from being an individual to being a cogwheel in a giant machine, run by supposedly well-meaning administrators and technocrats. They don't really care about you; they just don't want anybody to rock the boat, so they constantly grease the bureaucratic machinery with lies.

In 2007, former German president Roman Herzog warned that parliamentary democracy was under threat from the European Union. Between 1999 and 2004, 84 percent of the legal acts in Germany – and the majority in all EU member states – stemmed from Brussels. According to Herzog, "EU policies suffer to an alarming degree from a lack of democracy and a de facto suspension of the separation of powers." Despite this, the EU was largely a non-issue during the 2005 German elections. One gets the feeling that the real issues of substance are kept off the table and are not subject to public debate. National elections are becoming an increasingly empty ritual. The important issues have already been settled beforehand behind closed doors.

As British politician Daniel Hannan says: "When all the politicians agree, the rest of us should suspect a plot against the ordinary citizen. Without all-party consensus – and this is true of all the Member States, not just Germany – the EU would never have got to where it is." He believes the EU was intentionally designed this way: "Its founding fathers understood from the first that their audacious plan to merge the ancient nations of Europe into a single polity would never succeed if each successive transfer of power had to be referred back to the voters for approval. So they cunningly devised a structure where supreme power was in the hands of appointed functionaries, immune to public opinion. Indeed, the EU's structure is not so much undemocratic as anti-democratic."

In the eyes of American theorist Noam Chomsky, "The smart way to keep people passive and obedient is to strictly limit the spectrum of acceptable opinion, but allow very lively debate within that spectrum." This is undoubtedly true, which is why it's strange that Chomsky thinks that the Internet, currently the freest medium of all, is "a hideous time-waster."

In June 2004, a survey showed that 50% of all Swedes wanted a more restrictive immigration policy[1]. Mass immigration reached the highest levels in history in 2006, yet before the general elections that year, all the major parties and the media cooperated successfully on keeping a lid on the issue. During the past few elections in Sweden, there has been virtually no public debate about mass immigration, but a passionate debate about "gender equality" in which almost all contestants call themselves feminists, and only argue over which ways to implement absolute equality between the sexes. The more suffocating the censorship becomes regarding the problems created by Muslims, the more discussion there is of ways to get rid of the straitjackets of heterosexuality. This is clearly done in order to give the citizens the sense of living in an open, free and tolerant society. Diversity of sex is used as a substitute for diversity of political opinions.

Author Bruce Bawer describes how before the rise of maverick politician Pim Fortuyn[2], the Dutch political scene had to a great extent been a closed club whose members, regardless of party affiliation, shared similar views in the widest possible sense. Most of the journalists belonged to the same club. If the majority of the populace didn't quite agree with this cozy elite regarding the most sensitive issues - and the most sensitive of them all was Muslim immigration - this hardly mattered much. Since all those who were in positions of power and influence were in basic agreement, the will of the people could safely be ignored.

According to Bawer, "Fortuyn had been an active politician for only a few months but had already shaken things up dramatically. Before him, Dutch politics had been essentially a closed club whose members shared broadly similar views on major issues and abhorred open conflict." Journalists and rival politicians alike - notice how they worked in lockstep - responded by smearing him "as a right-wing extremist, a racist, a new Mussolini or Hitler." Indirectly, this led to his murder by a left-wing activist who stated that he killed Fortuyn on behalf of Muslims because he was "dangerous" to minorities.

Later, the Islam-critic Theo van Gogh was murdered in broad daylight. As Bawer states, "In 2006, in a crisis that brought down the government, Ms. [Ayaan] Hirsi Ali was hounded out of Parliament by colleagues desperate to unload this troublemaker. When she moved to Washington, D.C., last year, polls showed that many Dutchmen wouldn't miss her. The elite, it seemed, had reasserted its power, and the Dutch people, tired of conflict, had embraced the status quo ante. (...) Five years ago, Fortuyn inspired widespread hope and determination. Today, all too many Dutch citizens seem confused, fearful, and resigned to gradual Islamisation. No wonder many of them — especially the young and educated — are emigrating to places like Canada, Australia, and New Zealand."

Pim Fortuyn was indirectly murdered by the political, cultural and media elites whereas Theo van Gogh was murdered by Muslims. Ayaan Hirsi Ali has been driven from the country. Islam-critic Geert Wilders is still there, but he is subject to similar smears as Fortuyn was about being a racist, receives daily threats from Muslims and not-so-subtle hints from the establishment that he should tone down his criticism of Muslim immigration. The Dutch spirit appears to have been broken, at least for now, and things are slowly returning to normal. The extended political elites are once again firmly in control of public debate, and the embarrassing peasant rebellion has been successfully struck down.

I've suggested before that native Europeans face three enemies simultaneously when fighting against the Islamisation of their lands: Enemy 1 is the anti-Western bias of our media and academia, which is a common theme throughout the Western world. Enemy 2 are Eurabians and EU-federalists, who deliberately break down established nation states in favor of a pan-European superstate. Enemy 3 are Muslims. The Netherlands from 2001 to 2007 is a clear case in point where enemies 1, 2 and 3 have successfully cooperated on breaking down the spirit of the native population through intimidation and censorship and by squashing any opposition to continued mass immigration.

The fact that members of the media and the academia tend to be more, sometimes a lot more, left-leaning politically than the average populace is well-attested and documented in the Scandinavian countries. Senior members of the BBC in Britain frankly admit that they are biased and champion multiculturalism in their coverage. During the 2005 Muslim riots, it was openly stated by several French journalists that they downplayed the coverage of the riots because they didn't want it to benefit "right-wing parties." Judging from anecdotal information it seems fair to assume that this trend is universal throughout the Western world.

Bill Dedman, investigative reporter at the MSNBC, made a list of American journalists' political campaign contributions[3] from 2004 through the first quarter of 2007. Of the 143 journalists surveyed, 125 had donated money to the Democratic Party. Only 16 of them had donated money to the Republican Party or conservative causes, and two to both parties.

Dr. Chanan Naveh, who used to edit the Israel Broadcasting Authority radio's news desk, mentioned, with no regrets, examples in which he and his colleagues made a concerted effort to change public opinion: "Three broadcasters - Carmela Menashe, Shelly Yechimovich [later a Labour party Knesset Member], and I - pushed in every way possible the withdrawal from Lebanon towards 2000... I have no doubt that we promoted an agenda of withdrawal that was a matter of public dispute." As Charles Johnson of American anti-Jihad blog Little Green Footballs[4] commented: "Journalists are no longer in the business of simply reporting facts and events; increasingly, they see their job as 'activism,' and the points of view they promote are invariably leftist and transnationalist. Honest journalists will admit this outright, and we see the pernicious effects of this information manipulation and filtering everywhere."

But why is the situation like this? One could claim that this is the effect of the Western Cultural Revolution of the 1960s and 1970s, or alternatively a product of the Cold War. But if you believe the esteemed Friedrich Hayek, the trend was discernable already in the late 1940s, before the Cold War had left a major impact. How do we explain that? One plausible hypothesis could be to assume that those with conservative viewpoints will generally direct their energies towards business and commerce, while those with left-leaning sympathies desire to get into positions where they can influence people's minds. Over time, this could mean that in an open society, the media, the academia and the intelligentsia will tend to gravitate towards the political Left and become dominated by people sympathetic towards Utopian ideas. Because of the positions they have gained, their political bias will significantly influence what information is presented to the general

masses, and how.

In his essay *The Intellectuals and Socialism*, Hayek noted already around 1950 that "Socialism has never and nowhere been at first a working-class movement. It is a construction of theorists" and intellectuals, "the secondhand dealers in ideas. The typical intellectual need not possess special knowledge of anything in particular, nor need he even be particularly intelligent, to perform his role as intermediary in the spreading of ideas. The class does not consist of only journalists, teachers, ministers, lecturers, publicists, radio commentators, writers of fiction, cartoonists, and artists." It also "includes many professional men and technicians, such as scientists and doctors."

"The most brilliant and successful teachers are today more likely than not to be socialists." According to Hayek, this is not because Socialists are more intelligent, but because "a much higher proportion of socialists among the best minds devote themselves to those intellectual pursuits which in modern society give them a decisive influence on public opinion. Socialist thought owes its appeal to the young largely to its visionary character. The intellectual, by his whole disposition, is uninterested in technical details or practical difficulties. What appeal to him are the broad visions."

He warns that "It may be that as a free society as we have known it carries in itself the forces of its own destruction, that once freedom has been achieved it is taken for granted and ceases to be valued, and that the free growth of ideas which is the essence of a free society will bring about the destruction of the foundations on which it depends. Does this mean that freedom is valued only when it is lost, that the world must everywhere go through a dark phase of socialist totalitarianism before the forces of freedom can gather strength anew? If we are to avoid such a development, we must be able to offer a new liberal program which appeals to the imagination. We must make the building of a free society once more an intellectual adventure, a deed of courage."

During a conversation I had with a Swedish friend and a lady who grew up in the Communist dictatorship of Romania, we concluded that Westerners are at least as brainwashed by Political Correctness and multiculturalism as they ever were with Communism. There never was a universally shared belief in multiculturalism in Western Europe, and the percentage of True Believers is declining by the day. Still, it is probably accurate to say that more people believed in multiculturalism in Western Europe in 1998 than who believed in communism in Eastern Europe in 1978. But how is that possible?

Ideological indoctrination is most effective if the people maintain the illusion that they are free and that they are being served balanced information. Citizens in Communist states knew that they participated in a large-scale social experiment, and since ideological hegemony was upheld at gunpoint, this left little room for doubt that they were being served propaganda to shore up support for this project. Yet in the supposedly free West, we are taking part in a gigantic social experiment of Multiculturalism, seeking to transform our entire society, and still we refuse to acknowledge that we are being served ideological nonsense by the media.

The differences, particularly on issues related to Jihad and immigration, between the information reported in blogs and independent websites[5] and the information presented to us by the established media are so great that it shocks many ordinary citizens once it dawns upon them just how much censored propaganda we are spoon-fed every day. This experience has shattered the myth of free, critical and independent Western media, at least for some.

In the view of blogger Richard Landes, the media play a critical role in the global Jihad's success. The major media outlets "are the eyes and ears of modern civil societies. Without them we cannot know what is going on outside of our personal sphere, with them we can make our democratic choices in elections, assess foreign policy, and

intervene humanely in the suffering around the globe. But as any paleontologist will tell you, any creature whose eyes and ears misinform it about the environment, will not long survive."

This can be compared to being attacked by an angry and hungry polar bear, while your eyes and ears, the media, tell you that it's a cute koala bear who just wants to be cuddled. Meanwhile, your brain has been indoctrinated to think happy thoughts about diversity and smile to all creatures, regardless of their nature or intentions. This is pretty much how the entire West is today. The heavy bias of our media and our education system constitutes a very real threat to our survival.

Sources:

<http://democracyreform.blogspot.com/2007/08/democracy-and-media-bias-by-fjordman.html>

1. <http://www.thelocal.se/212/>
2. <http://www.nysun.com/article/53818>
3. <http://www.msnbc.msn.com/id/19113455>
4. http://littlegreenfootballs.com/weblog/?entry=25757_Israeli_Media_Admit_Anti-War_Agenda&only
5. <http://www.brusselsjournal.com/node/2108>

2.19 a. The EUSSR/USASSR Media hegemony

"[In the West] unpopular ideas can be silenced, and inconvenient facts kept dark, without any need for an official ban."

George Orwell, UK writer

Why the Western media does not always report everything that is going on in the world. How language is used to obscure the facts and mold opinion.

Living in Western Europe we are told that the news media (television, newspapers, radio) are free. It is certainly true that there are few government conspiracies to censor. Unlike in totalitarian countries, the media is not generally state run or controlled. However this is not the full story. Because the media is part of the global economy, there are certain properties that deny readers, viewers and listeners a balanced view of world events.

There are six reasons why a balanced view of world events is not generally received in the Western European media:

1. 99% of journalists support multiculturalism

This is covered already (see other chapter).

2. Media Ownership

Most newspapers, television and radio stations are owned by large and powerful multinational companies.

In the USA, NBC and CBS (two television companies) are owned by international conglomerates such as General Electric and Westinghouse all supporting globalism and multiculturalism. Time-Warner and CNN merged in the late 1990s to form one of the largest news and media monopolies in the world, they too support globalism and multiculturalism.

Stories that highlight problems related to multiculturalism and globalism are completely ignored. Stories that help the interests of the media owners and propagate globalism and multiculturalism are given prominence.

One man, John Malone, owns 23% of the world's cable stations. His **Discovery** Channel commissions programs after "market approval" and avoids "controversial subjects". The phrase "dumbing down" has entered the language as television concentrates on gossip and celebrity stories rather than serious issues.

The situation is similar in Western Europe. In the UK, News International (a company mostly owned by Rupert Murdoch) owns several newspapers (including The Times and The Sun), Sky Television (a major European satellite operator), Star Television (covering Asia) and publishers like Harper Collins.

In 1998, Rupert Murdoch owned 34% of the daily newspapers and 37% of the Sunday newspapers in the UK. Successive UK governments have allowed his empire to grow in return for his media's support.

53% of UK newspaper and magazine distribution is controlled by just two companies, WH Smith and John Menzies.

Cross-media ownership and the fact that a small number of people own so many of our means of obtaining information is a threat as it institutionalises globalism and multiculturalism.

3. Advertising and ratings

"We paid \$3 billion for these television stations. We will decide what the news is. The news is what we tell you it is."

David Boylan, Station Manager WTVT, Tampa,

When the media depends on advertising, the advertisers can exert pressure. A large media conglomerate may be able to absorb the loss of advertisers but a smaller, alternative newspaper or radio station may be pushed out of business. Advertisers frequently use their influence to stop stories detrimental to their interests.

In a 1992 survey in the UK, 150 newspaper editors stated that 90% of their advertisers had interfered with stories; 70% of the advertisers had tried to stop stories. 40% of the editors had succumbed to pressure from advertisers and made the changes requested.

In the UK in 1990, new laws meant that TV news had to make a profit. This has led to a decline in serious news items and more emphasis on "human interest" stories and celebrity "news". Advertisers want viewers; ratings become more important than giving information; the news companies abandon investigative journalism to "give the public what it wants".

Deregulation has meant that requirements to produce in-depth public affairs programming were removed. Programs that cover "controversial" subjects are screened at late hours or completely ignored.

As the number of commercial radio stations increases, the output becomes more bland and more predictable.

4. News Sources

"We have relationships with reporters that have helped us turn some intelligence failure stories into intelligence success stories. Some responses to the media can be handled in a ... phone call."

CIA Report

News is often given out by government sources.

Statements, statistics and new policies are introduced in controlled press conferences. Journalists who consistently question the official line too rigorously may be excluded from access. This is bad for a newspaper which relies on fast and fresh news.

In a conflict situation, a process called pooling is used to control what information is given out. A small number of journalists (sometimes only one) are taken by the military to observe and the news is then shared with other journalists. Journalists who attempt to obtain news independently can be excluded from future events.

90% of the world's news comes from just three agencies: Associated Press (USA), Reuters (UK) and Agence France Presse (France), all supporting globalism and multiculturalism. Associated Press (AP) and Reuters make large profits selling financial and corporate information. The "free market" view of the world is thus very profitable. Alternate views can lose the companies money so are rarely aired.

In television, news is supplied by four main agencies: Reuters and the BBC (from the UK) and World Television Network (WTN) and CNN (from the USA), all supporting globalism and multiculturalism. Reuters supplies over 400 broadcasters in 85 countries and reaches an audience of 500 million people. WTN supplies news to 3,000 million people.

All the above agencies support multiculturalism and globalism. News critical of multiculti and globalism is rarely allowed to be distributed.

As the internet is a good source of alternative news, it is expected that the EUSSR/USASSR hegemony is likely to make a push to limit alternative coverage in the coming decades.

5. Negative Responses

Western European multiculturalist regimes actively put their policies across by using their loyal subjects the MSM, briefings, interviews and publications.

It is impossible to effectively criticize the multiculturalist MSM hegemony as they make out 98% of the news companies and control 95% of the news distribution in Western Europe. Alternative news distribution on the internet (5% and increasing) is under attack

as well and it is likely that new EUSSR "hate laws" will make it illegal to criticise multiculturalism and Islam in the future.

6. Demonisation and Use of Language

"There are certain facts and stories from Korea that editors and publishers have printed which were pure fabrications... Many of us who sent the stories knew they were false, but we had to write them because they were official releases from responsible military headquarters and were released for publication even though the people responsible knew they were untrue."

Robert C Miller, United Press correspondent during the Korean War.

Nationalists/conservatives are always portrayed in a de-humanising manner. Dissident views are undermined by demonising the people or organisations that have these views.

Smear campaign describing right wing dissidents as "Fascist Geert", etc. is common on a pan-European, national and local level. The views of patriots/nationalists are always undermined by depicting them as freaks (negative highlights from their past will be used, or will be created).

Certain phrases are used to hide or distort dissident views. Dissident views are described as extreme and those who hold these views as extremists. Others are labelled as racists, fascists, Nazis, conspiracy theorists, militants or other disparaging names. Their views are meant to be ignored and are rarely argued against coherently.

When persecution is undertaken and intensified in the future by the Western European multiculturalist regimes, the opponents are demonised and the action justified by using a phrase such as: War on Fascism

Forces resisting the illegal Western European multiculturalist regimes are described as terrorists or right wing extremists. The phrase indigenous resistance, resistance fighter is never as this would indicate a general resistance to the multiculturalist regimes.

2.19 b. The Western European multiculturalist regimes subsidise multiculturalist newspapers

People should be aware of the methods used by the Western European cultural Marxist/multiculturalist regimes covertly subsidises its propaganda channels; the MSM (mainstream media). The so called "free press" in Western Europe is a myth and has never existed, despite our regimes unwavering efforts to tell us that this is the case. In many (if not all) Western European countries, only newspapers who support multiculturalism receives subsidy by the national regime and this has often been the case since the ideology of cultural Marxism/multiculturalism was implemented in the 50s, 60s or 70s (depending on country). For Norway and Sweden it has existed since the 70s.

The following overview documents how the multiculturalist regime in Norway subsidises multiculturalist propaganda newspapers (MSM) under an arrangement which can only resemble that of the former USSR. And yet, the Western European regimes dare calling themselves democratic. All newspaper opposing or critical of multiculturalism has by

default lost any opportunity to receive the same subsidies resulting in a scenario where they struggle to provide efficient distribution for their products and thus for the marketing of their world view. The end result of this policy is that all media companies feel inclined to adapt to and adopt a multiculturalist view (a majority adapted to and adopted the "state view" during the 70s and 80s). These state subsidy arrangements is one of several reasons why there are now extremely few newspapers in Western Europe who are critical of multiculturalism. In many countries, such as Norway and Sweden, there isn't a single newspaper representing the cultural conservatives...! The following guide illustrates how the Norwegian cultural Marxist/multiculturalist regime undemocratically subsidises the MSM to ensure that they remain loyal and forward the globalist/cultural Marxist/multiculturalist world view of the Norwegian Labour Party. I have not been able to create similar overviews for all Western European countries but I know similar practices exist in several countries.

The following overview illustrates how the cultural Marxist/multiculturalist elites of Norway fund their propaganda channels:

Newspapers in support of cultural Marxism/multiculti	Daily Distribution (2009)	Direct Subsidy (2009 - Euro)	Indirect Subsidy* (1999 - Euro)
VG	262 374		26 875 000
Aftenposten	243 188		15 750 000
Dagbladet	105 255		15 125 000
Dagsavisen	31 400	4 800 000	1 750 000
Bergens Tidende	83 086		5 250 000
Adresseavisen	75 835		4 625 000
Bergensavisen	29 300	4 200 000	1 750 000
Vårt Land	27 000	4 500 000	1 500 000
Stavanger Aftenblad	65 298		3 625 000

Smaller publications in support of multiculti and other left wing extremist publications receiving direct or indirect financial support from the cultural Marxist/multicultural regime of Norway

Nationen	16 000	3 125 000	
Klassekampen	11 400	2 625 000	(Marxist extremist views)
Rogalands Avis	12 500	1 500 000	
Dagen	10 700	1 250 000	

Newspapers in opposition to the cultural Marxist/multiculturalist world view

Norge IDAG	Lost subsidy in 2008	Conservative Christian newspaper
Document.no	Not applied as they will never be approved	

* - indirect subsidy means that the newspapers do not have to pay sales tax on their products.

Source: Numbers for direct/indirect subsidies are from 1999, daily publishing numbers are from 2009 but are not far from 1999 numbers <http://no.wikipedia.org/wiki/Pressest%C3%B8tte>

This above financial compensation, referred to as "press subsidy" (pressestøtte) is only given to certain companies after approval by the Norwegian Department of Culture, or

more specifically: the Norwegian Media Authority (Medietilsynet) which council consists of cultural Marxist/multiculturalist members.

It is well known among Norwegian right wing political "dissidents" that the specific committee in this department has a very hostile view on all entities in opposition to multiculturalism. The only right wing newspaper, Norge IDAG (Christian) lost their subsidy in 2008, because the cultural Marxist committee in the Department of Culture decided that it was "best this way".

I have not had the capacity to research all Western European countries when it comes to public subsidy of newspapers/news agencies in support of multiculturalism but I assume that equivalent systems have been set up by the other Western European regimes. Protecting their press/propaganda hegemony is one of their primary goals and is a concealed form of dictatorship rule which is unknown to 90% of patriotic Europeans.

The MA 100 alliance will do everything in their power to prevent the truth from coming out.

2.20 Pro Muslim media strategies

The following article from the Norwegian News corporation, VG, dated November 20th is a typical example of so called "free journalism" in Western Europe. The article shows two vandalised Muslim graves, allegedly perpetrated by Jews.

Jewish settlers vandalised mosque in Hebron – 20.11.08

<http://www.vg.no/nyheter/utenriks/midtosten/artikkel.php?artid=534113>

What's typical with these articles is that they are quite carefully chosen by an unknown journalist in VG and are often just taken from larger news databases, in this case NTB. The journalist hasn't signed this article so it is impossible for us to track which individual was responsible for this action but he obviously got the approval of VG management.

This propaganda warfare has been ongoing for decades in Western Europe.

Now, when we check the Islamist database over Jihadi attacks that day located here:

<http://www.thereligionofpeace.com/attacks-2008.htm>

it shows that 28 individuals were killed in 5 different Jihadi attacks that day.

Let's summarise the attacks:

Date	Country	Area	Killed	Injured	Comment
2008.11.20	Pakistan	Swat	1	0	A local man is murdered by the Taliban for helping a Chinese engineer escape abduction.
2008.11.20	Pakistan	Bajaur	9	6	A suicide bomber enters a rival mosque and takes out nine innocents.
2008.11.20	Afghanistan	Khost	8	13	A Fedayeen suicide bomber detonates outside an office building, sending eight Afghans to Allah.
2008.11.20	Iraq	Kut	5	0	Sunni extremists invade a home and kill five residents, including children.
2008.11.20	Iraq	Mosul	5	0	Two women are among five people murdered by terrorists while sitting in their vehicle.

Those were only the Muslim atrocities documented by that website alone. You can most likely add that a 100-200 native Europeans were either murdered, raped, beaten or robbed by Muslims living in Europe that day but these kind of attacks are not politically correct to report.

The fact that Western Journalists again and again systematically ignores serious Muslim attacks and rather focus on the Jews only adds to the stockpile of proof that all Western journalists support the EU's Eurabia project, their enemy (based on coverage) is the Israeli and also often the Russian government.

Western European journalists, editors and publishers are guilty of facilitating Muslim crime (Jihad) by underreporting it.

These few examples of pro-Muslim propaganda illustrates that the Western European population are spoon fed with inaccuracies every single day. There are thousands of similar cases on a yearly basis. Obviously, not all articles about Islam are positive, but there is a disproportional balance that indirectly or directly protects Islam. Jihadi attacks are systematically covered up, ignored or toned down by Western journalists. There are more than 50 Jihadi terrorist attacks per month (on civilian targets, mostly non-Muslims). Yet, we only hear about one or two of these, usually accompanied with a similar dose of anti Israel/Russian propaganda to create an illusion that non-Muslims are just as "bad" as all the Muslim nuts combined.

Jihadi attacks per month

50 Jihadi attacks on non Muslims (Usually on native Europeans and in Thailand, Philippines, China, Dagestan, Chechnya, Turkey, Pakistan, Bangladesh, Somalia, Algeria). Several examples are classical Jihadi beheadings (not in Europe). Not to mention the outreach of contemporary slavery of Christians, Hindus in Muslim countries. There are thousands of examples of non-Muslim slaves in Muslim countries (who are slaves because they refuse to embrace Islam) and Western journalists are systematically ignoring it. Furthermore, there are several hundred thousand Christians and Animists in Sudan who have been systematically killed in the greatest modern Jihad in the 21st century, with funding of Saudi Arabia and even the US. Why do the journalists refuse to document these atrocities?

The answer is simple. Telling the truth would undermine multiculturalism (the Islamisation of Europe).

Western journalists and the UN are ignoring the biggest Jihadi genocide of modern times and usually only focus on the Congo conflict instead (the Ummah isn't involved here so it's a "politically correct" issue).

Ministerial orders not to use specific words – Muslim, crime, terrorist etc.

There are several guides in "political correctness" that have to be followed by media companies and parliamentarians in some Western European countries.

An eight-page Whitehall guide lists words they should not use when talking about terrorism in public and gives politically correct alternatives.

They are told not to refer to Muslim extremism as it links Islam to violence. Instead, they are urged to talk about terrorism or violent extremism.

Fundamentalist and Jihadi are also banned because they make an "explicit link" between Muslims and terror.

Ministers should say criminals, murderers or thugs instead. Radicalisation must be called brainwashing and talking about moderate or radical Muslims is to be avoided as it "splits the community".

Islamophobia is also out as it is received as "a slur that singles out Muslims".

The guide, produced by the secretive Research, Information and Communications Unit in the Home Office, tell ministers to "avoid implying that specific communities are to blame" for terrorism. It says more than 2,000 people are engaged in terror plots.

The guidance was branded "daft" last night by a special adviser to ex-Communities Secretary Hazel Blears. Paul Richards said: "Unless you can describe what you're up against, you're never going to defeat it. Ministers need to be leading the debate on Islamic extremism and they can't do that if they have one hand tied behind their back."

The Home Office said: "This is about using appropriate language to have counter-terrorism impact. It would be foolish to do anything else."



Source:

<http://www.thesun.co.uk/sol/homepage/news/2759618/Ministers-told-Dont-call-Islamic-extremists-Islamic-extremists.html>

2.21 Questions and polls your government and news agencies have disallowed

Ask yourself, why haven't the following polls and questions been raised and presented to Europeans?

1. Do you support mass Muslim immigration?
2. Do you support the Islamisation of Europe?
3. Do you trust your government's statistics provided and their intentions in regards to mass Muslim immigration?
4. Do you support the implementation of the EU's Eurabia project?
5. Do you want Europe to merge with the Islamic world?
6. Do you see the Islamisation as a threat to European cultures and to the future stability of Europe?
7. Do you support the building of mosques in Europe as long as it is illegal to build Churches in Saudi Arabia and other Islamic countries?
8. Would you support expelling Muslims if it was proven that they preached hate or intolerance towards non-Muslims?
9. Would you support revoking citizenship of Muslims if it was proven that they acted hateful towards and conspiring against non-Muslims?
10. Would you support your government and military if they attempted to stop the current Islamic demographic warfare (through mass Muslim immigration and average birth rates of 3-4) being waged on Europe by the Global Islamic Ummah?
11. Would you support the deportation of Muslims from Europe if it was proven that they were involved in Islamic demographic warfare (through mass Muslim immigration and average birth rates of 3-4) against Europe?
12. Would you support the creation of armed resistance groups if it was proven that your government and other elected officials conspired against the people by implementing an ideology (multiculturalism) whose purpose is the eradication of European culture, traditions, European identity, Christendom (cultural genocide) and by allowing Islamic demographic warfare (indirect genocide of Europeans)?
13. Would you support pre-emptive strikes initiated by these armed resistance groups against your government if it was proven that they (and the majority of parliament) conspired against the people by implementing an ideology whose purpose is the eradication of European culture (cultural genocide) and by allowing Islamic demographic warfare (indirect genocide of Europeans)?

Everyone knows how the majority would respond if these questions or polls were presented.

An overwhelming **NO**, to question 1, 2, 3, 4, 5, 7 and an overwhelming **YES** to 6, 8, 9, 10, 11, 12, 13

This is the reason why **NO** news agency or government institutions have presented these questions or polls. It is beyond doubt that the Western European governments have systematically acted against the wishes of the majority of Europeans for decades (by systematically acting deceitful). And they plan to continue to do so until ethnic Europeans are no longer the majority.

2.22 Dealing with journalists - authorising your own character assassination by the multiculturalist PC press.

When being confronted, approach all journalists with extreme prejudice. Several overviews confirm that Western European journalists are not representative of the opinion of the people but instead represent a cultural Marxist, humanist and globalist world view. A Norwegian poll conducted in 2009 showed that 98% of Norwegian journalism students supported political parties in support of multiculturalism^[1] (whereas only 50% of the native population show support), 70%+ support socialist parties (whereas only 50% of the native population show support). As cultural conservatives and anti-multiculturalists we are by default perceived as enemies and we should be aware of this prior to any encounter. European news agencies are not objective in any way, they are not free. Instead, journalists should be considered as multiculturalist political warriors and overwhelmingly left wing political activists with a clear and defined political agenda working systematically to contribute to safeguard the political doctrines of multiculturalism and political correctness in general. As a cultural conservative, agreeing to interviews unconditionally would be the same as authorising your own "character assassination". They will cross cut any given interview and label you as a racist, fascist or Nazi. If there are no links to racists, fascists or Nazis they will create these links. For example, they will review all your facebook contacts and actively look for anyone or anything (even small insignificant factors) in order to link you to anything or anyone racist, fascist or nazi. If you are perceived as a political threat they will even go as far as trying to label you as a paedophile or an insane person. When they have decided to kill your character (or rather the credibility of your name) they will most likely succeed. They have done this with tens of thousands of European political dissidents already (cultural conservatives) and they will continue with this efficient method. That is their purpose. Do not forget it and do not allow them to succeed. These are some of the reasons why journalists are so dangerous.

As we all know, Western Europe today lacks the balance of cultural conservative news agencies. A majority of countries do not have any objective agencies but are rather completely monopolised by multiculturalist agencies or rather political entities. Unless you are a master at this game you should never give direct interviews and you should never agree to give interviews unconditionally. In order to protect yourself you should create clear and concise conditions before giving comments to the press. These conditions must be signed on behalf of the news agency (not just the specific journalist) and must apply to all future use of the specific given comments or interview.

An example on the conditions given to a news agency:

The journalist of xxx company can present five questions he/she feels are relevant (these questions will most likely attempt to undermine you or your cause or will provoke you to give sensitive comments which can later be quoted out of context). The individual giving the interview will present the digital cover images and five questions (which will indirectly/directly defend his cause or actions). All answers are forwarded in writing (after the questions have been forwarded to the interview object and approved by both parties).

The answers (given by the individual interviewed) to each of the ten questions must be published without alteration. If you allow the news agency to provide the images they will usually select unflattering samples with the goal of acknowledging few or no good aspects of the interview object.

If the journalist does not agree to these terms there will be no interview. These conditions must be signed by the journalist on behalf of the news agency and must be included in the bottom of the interview (comments given in this interview are not allowed to be quoted out of context or given entity will be sued).

This agreement in writing should be confirmed by the individual's lawyer or any neutral third party.

I see tens of examples of cultural conservatives who annually "trust the good judgment of the journalist and ends up being severely ridiculed and damaged as he/she is being perceived as a bigot. There are too many people out there who indirectly authorise their own "character assassination".

Learn who your enemies are and learn to play the game!

Source:

1. http://www.document.no/2009/05/intet_nytt_blant_norske_journa.html

2.23 Understanding the fundamentals behind multiculturalism; From Titans To Lemmings: The Suicide of Europe

By Reconquista

Comment on - From Titans To Lemmings – Part 2 (by author of 2083):

The following essay includes an assessment and conclusions around the anti-European or "anti-white" racist aspects of multiculturalism. At first, I hesitated to include anything including the word race, white or ethnicity, mainly because I instinctively dislike writing about anything related to these words. I was brought up that way (indoctrinated in a multiculturalist system for 30 years to be more precise). Partly, I also convinced myself originally that I was first and foremost against Islam, and that writing about skin colour (or multiculturalism for that matter) would only complicate this fight. In this regard I attempted to replace the term with more compromising expressions: the words culture, native European or ethnic group.

However, after thinking about it for some time, I find that very few of the arguments against certain terms hold true. I am tired of ideological censorship. We can't really ignore some terms entirely if we are to make a completely honest evaluation and understand the anti-European or "anti-white" aspects of multiculturalism. In many cases, it is simply impossible to replace the term with less "offensive" words. Generally speaking though, Europeans usually identify using the word "European" and not white, which is rather the preferred word in the US. The author makes several good points and it's essential that you read it in order to understand many aspects of multiculturalism (European/white guilt complex). Western nations can never mount a defence against Muslim colonisation/invasion if this is always dismissed as "racism." But above all, if you believe that non-white racism exists, it is actually immoral not to deal with the problem and its victims. I am convinced that not just non-white, but especially anti-white racism is real and a very underestimated phenomena.

Background

In the first part of this series of essays about the suicide of Europe, I stated that what is

happening to the indigenous peoples of Western Europe and our cultures - amounts to a merciless and bloody genocide. Amazingly, it is a genocide in which many members of the native Europeans are playing a willing and active part and I posed a question:

How can a culture that created the greatest and most advanced societies in human history, societies that held the highest hope for the whole of mankind, reach a point where its future survival is now threatened?

The Judeo-Christian religions played an important and influential role in building the once mighty West but we also discovered that these religions contained a serious flaw that has sewed the seeds of the suicidal demise of the indigenous peoples of Western Europe and our cultures. This flaw was identified by the brilliant German philosopher **Friedrich Nietzsche** who described it as "*an inversion of morality*" whereby the weak, the poor, the meek, the oppressed and the wretched are virtuous and blessed by God whereas the strong, the wealthy, the noble and the powerful are the immoral and damned by the vengeful almighty **Yahweh** for eternity.

Nietzsche, with great insight and perception, stated that Christianity would be abandoned en masse in the twentieth century but that Westerners would still cling to this inversion of morality. I then described how Marxists and Liberals exploit this inversion of morality by creating large numbers of "*victim groups*", groups who form minorities in Western society but whose "*victim status*" is used to dictate morality to the majority. In Western - European - societies, the weak now lead the strong, indeed, the game being played in these societies is not to make the weak strong it is to make the strong weak.

Should any person have the temerity to criticise any one of these "*victim*" groups, they will be viciously smeared and deemed guilty of numerous hate-crimes, the new heresy of the Liberal-Multicultural religion. The plain fact that this situation is destroying the west because it flies in the face of Mother nature - a catastrophic mistake only the native Europeans are committing - matters not a jot to these new pious inquisitors.

Multiculturalists prosecute their self-righteous moral crusade by proudly championing the cause of anybody who they deem to be weak and oppressed. Blinded by smug piety or driven by hatred for their own, they march the indigenous peoples of Western Europe and our cultures into the abyss as they vigorously and myopically pursue one of the most unnatural, childish and ultimately futile illusions ever created in human history:

Gold At The End Of The Rainbow

The core principle of liberals and multiculturalists is that everybody is equal. In the fluffy bunny la-la land of these vain zealots, the sexes are equal; all ethnic groups are equal; all sexuality is equal; all children are equal and children are equal to adults; animals are equal to humans; all cultures are equal and all religions are equal. For anybody to discriminate against anybody else and assert superiority is to establish inequality and inequality simply must not - indeed will not - be tolerated.

This is the utopian fantasy world of the lion lying down with the lamb in the eternal tranquillity of **Shangri La**. A futile, self-destructive pursuit of the unattainable that requires a denial of the competitive reality of life on planet earth and a continual inversion of morality in a doomed attempt to put right the "*mistakes*" committed by **Mother Nature**.

The pursuit of equality can be accurately summed up in a very short sentence: Pursuing equality is to clash with Mother nature. Nature abhors a vacuum but she also abhors equality and this is easily demonstrated.

Look at males and females. Are all males equal? Some males possess physical strength while others are physically weak. Some are tall, some short and some in-between. Some men possess the courage of a lion, others the courage of a French toy poodle. Some possess great intelligence and inquiring minds, some the gifts of craftsmanship, a lucky few possess both and sadly, many will possess neither. Some men are born to lead, others born to follow.

Equality is just as scarce among the fairer sex. There are beautiful women who can turn the heads of every red-blooded male and others who go about their daily business without raising a single admiring glance. There are women who want to be home-makers and mothers who have many children, others place their careers before all else and do not want a family. We have women who are active and love sport, others who prefer a more sedentary lifestyle. Then there are women who are feisty and bubbly, others who are quiet and shy. Of course, there are many more differences between people but the point is made.

Like it or not, men are in the main, physically stronger than women and nature has evolved the sexes for different tasks that ensure human survival just as nature does with all species. All men are not equal, all women are not equal and the sexes are not and never can be equal. This does not mean that any one is any better or has more value as a human being than any other and to suggest so is disingenuous, spiteful and born from bitter resentment. Inequality among and between species is simply the way life is on planet earth for all species including humans.

Take feminism as an example. Feminists claim that women have been victims of men, that men have oppressed women for centuries and that the sexes are equal. Denying this will result in the smears "*misogynist*" and "*male chauvinist pig*". But equalising the sexes has led to a crippling feminisation of Western society and I will elaborate upon this vitally important issue next time. But portraying women as oppressed victims and the equals of males is one example of how the pursuit of equality is being used to destroy our society and undermine - and therefore be in conflict with - Mother nature.

Trivial Pursuit

The pursuit of equality becomes even more futile when applied to equality of ethnic groups. If I say:

"The black African is, by and large, physically stronger than other races and in sports, blacks generally make the best boxers and the best sprinters and long distance runners, I will get nods of agreement."

But if I say: *"Whites are generally more intelligent and creative than blacks and have, throughout human history, solved the problems presented to the human race by Mother nature far more effectively than blacks have"*, I will be vilified as a racist.

Yet both statements are firmly grounded in fact.

It's a similar story with religion. If I say: *"Judaism and Christianity are two religions whose morality and values took mankind further than any other religion and they are largely peaceful and tolerant religions"*, it would be difficult to disagree with me.

But if I say: *"Islam is an evil, retarded and supremacist death-cult that refuses to afford women and unbelievers respect and the most basic of human rights because Islam advocates violence to force submission to Allah"*, I will be smeared as an "*Islamophobe*" and a "*racist*".

Not only that, I will then be - as I have been many times - subjected to the ordeal of

listening to a demented liberal blow hard irrationally shrieking that all religions are equal, that Judaism and Christianity also have their violent fanatics and that it's all a question of "*interpretation*".

A pack of lies and distortions follow all to support the childish Liberal fantasy of equality, exactly in keeping with Nietzsche's description of inverting morality so as to always portray the strong West as ignoble by asserting that it only became powerful by oppressing other people. The Crusades in particular being the favoured "*trump card*" in debates about Islam even though the Crusades came in response to the massacre of Byzantine Christians by Muslim jihadists who were surely "*extremists who were not representative of the Islamic faith.*"

But facts are discounted at will by devout Liberal-Multicultural disciples. They simply have to be otherwise their utopian fantasy world of equality completely collapses.

Smearing opponents and resorting to outright lies and distortions of history is a necessary tactic to impose equality and it is a strategy that exposes the weakness of those who pursue this asinine fantasy. Attempting to impose equality is a wilful denial of reality as it places ideology before hard evidence. For Liberal do-gooders, the fantasy of equality comes before all else therefore, unable to rely on facts and totally enslaved by their devotion to a deeply-flawed ideology, Liberal-Multiculturalists will outright lie and viciously smear people who dare to question or deny equality and place reality first.

If unsuccessful in their attempt to silence dissenters, the threat of violence leading to actual mob violence will also be deployed as we have seen recently after the **BNP's** success in the European elections.

Such irrational behaviour is much more than plain stupidity, it is concrete evidence of psychological illness on a grand scale and it is a mental illness only affecting the people of the white race as other races and cultures know full well the entirely natural order of inequality.

Just how mentally ill the Liberal-Multiculturalists really are will now become clear throughout the rest of this essay.

One Way Street

There is a glaring fact about Multiculturalism and its "*all races and cultures are equal*" mantra:

Why is it that only the West plays the Multicultural game?

If all races are equal, why aren't the Chinese, the Japanese, the Koreans, the Arabs, the Pakistanis, the Indians, the Africans all accepting masses of immigrants into their lands and allowing alien cultures and religions to be of equal importance to their own?

However, they do play the Multicultural game of equality but only when they leave their own lands to invade, colonise and pilfer the affluent West. Back in their countries of origin, their cultures, their religions and their way of life all come first and equality - between the sexes, between the races and between cultures - is as rare as hen's teeth!

If you doubt this, go and look for lobby groups and minority groups demanding that white people be treated as equals in South Africa, Zimbabwe and the Middle East. And talking of South Africa, go see if you can find blacks turning on their own people and demonising them as "*racists*" for the diabolical way blacks are persecuting whites and massacring the Boers (3060 massacred already - [1]). Odd that such guilt-ridden Liberal

groups only exist in the West isn't it?

There's more. Let's ask some more simple questions:

If all ethnical groups and all cultures are equal, why is it black Africans, Afro-Caribbean blacks, Pakistanis, Indians, Chinese, and Eastern Europeans want to abandon their own lands en masse to live in the lands of the West?

I mean if we're all truly equal, why does the rest of the world want to live the Western lifestyle, a lifestyle created in the main by white people? Just why exactly, do they want to be part of capitalism, run businesses, work for the white man's industries, claim the white man's welfare and buy and use goods created by the creativity and ingenuity of Western - white - people?

Why flock to another land, abandoning your own people for what the white man has created? It can't be because other races are unable to build strong, advanced societies because we're all equal aren't we? So therefore it must be to enjoy the lifestyle and the culture that the white man has created which is logically to admit human races and their cultures are most definitely not equal.

And what about the people who want to migrate to the West from the third-world but who cannot? This is yet more evidence of the lunacy of "*we're all equal*" because the strong are leaving the weak behind which just makes these already weak societies even weaker. This is the only equality: That as mass immigration floods the West the West becomes weaker and resembles more and more the weak third-world.

And why-oh-why does the world want to play sports that form an integral part of white Western culture, sports such as football, rugby, cricket, boxing? If all cultures are equal why don't other races stick with their own systems of business and commerce and play their own sports? Surely no one in their right minds would say that their own systems of trade and commerce and their own sports aren't as good as Western sports - that'd be stating inequality exists and that the West is superior and we can't have that, oh no.

Conversely, why isn't there mass immigration from the West to Africa, China, the Middle East? Come on, if all races and all cultures and all religions were truly equal then this would be blatantly obvious to the rest of the world who would be falling over themselves to welcome masses of immigrants from all over the world into their lands to enrich their people with the delights of diversity in the name of equality and multiculturalism.

And besides, mass immigration is fantastically "*good for the economy*" so surely Africa, The Middle East, China, India, Pakistan and Eastern Europe would benefit enormously from allowing hordes of immigrants from all over the world but especially the advanced UK and Europe to live in their lands, with housing, benefits and information explaining how to claim for their entitlements published in 30 different languages all provided free of charge so they can settle there and enrich native communities with their religions, traditions and cultures and bring a much needed boost to their flagging economies.

This would make their less advanced societies stronger and equal to those of the affluent West too. Can you hear a bell ring after reading this paragraph?

Let me spell it out for you loudly and clearly: If the people - whites - of the West have created the most advanced, affluent and just societies, wouldn't it be bloody obvious for third-world nations to begin programmes of mass-immigration from Europe so immigrants can create in the third-world the very same prosperous societies people from the third-world are flocking to in their millions? But that kinsman, is not the Multicultural game. Not by a long chalk it isn't.

And well, it's funny how people from the West don't appear to be rushing to live the African tribal lifestyle and adopt the African tribal culture. Not so funny when you realise that black Africans have brought this violent tribal lifestyle with its hatred for other tribes to the doorstep of Westerners. Better not mention this somewhat inconvenient fact about African tribal culture though. You don't want the pious, fanatical Liberal-Multicultural inquisitors accusing you of suggesting that black African gangs - sorry, tribes - treat each other in a way that falls a long way short of equality. What are you anyway, some kind of racist?

Let me share something else with you. It is very, very easy to be pious about equality and multiculturalism when you live in an advanced, wealthy society. It is far less easy to eulogise about Multiculturalism and equality when you live in a violent, unjust and less advanced poverty-stricken society. Maybe this explains why we don't see many ranting Multicultural disciples demanding the imposition of equality in countries such as Iran. They know as well as you do what would happen if they tried to. Such is the folly of claiming equality between peoples and cultures.

And there's even more folly about this ridiculous pursuit of equality.

A Very Unequal Equality

Not only is multiculturalism a one-way street with the rest of the world flocking into the West and changing it dramatically whilst the nations of these immigrants retain their identities and cultures, the doctrine of Multiculturalism is only ever applied against Western - make that white - people.

Identity politics is a good example of this. Blacks, Jews, Muslims, Sikhs, Hindus, Chinese, Pakistanis, Indians - all of these people and more are allowed to form their own special groups with the aim of protecting and furthering their own interests based entirely on race or creed.

Yet if indigenous Westerners form their own special interest group - for example **The British National Party** or the **Belgian Vlaams Belang** - they will be outrageously and hypocritically vilified as "*racists*" and "*fascists*" yet not once has any other identity group - for example the **Black Police Officer's Association** or even better, the **Muslim Council of Britain**, an organisation which promotes one of the most evil and supremacist ideologies ever created by mankind - ever been vilified as "*racists*" or "*fascists*".

And what may I ask, is so equal about the "*Music of Black Origin*" awards? Strange that sanctimonious Liberals screaming "*racists!*" are curiously absent at this overtly racist, unequal event isn't it?

Yet the slightest excuse to label whites as "*racist*" is continually sought. Even toddlers who refuse to eat spicy food in nurseries end up facing the wrath of the puritanical Multicultural inquisitors who will insist the parents make their family more "*racially aware and sensitive towards other races and cultures.*"

Tellingly, when black gang members stab each other or gang rape a white teenage girl or when Muslim jihadists blow up buses and trains filled with innocent people the first concern of the guardians of multiculturalism will be to minimise the racial aspect of these events - i.e. deny the reality - and lame excuses such as "*it's because of poverty*" or the Marxist classic "*it's because they are oppressed by an institutionally racist society*" will be spewed out by these simpering Liberal apologists.

Yet conversely, if a group of white men were to gang rape a black teenage girl - well, you

know exactly how this would be depicted as well as I do.

You tell me - how can equality exist in Liberal-Multicultural la-la land if the standards promoted by Liberals are only ever applied towards whites? This blatant and contradictory application occurs because these self-righteous Multiculturalists firmly believe that only white people can be racist because whites are always depicted as strong and powerful and other races are always portrayed as oppressed victims. So Liberal-Multiculturalists knowingly, deliberately and therefore treacherously distort, misrepresent and outright lie about racist or violent acts committed by non-whites.

How obvious does it have to be for them to realise that this is hard evidence, clear proof of the folly of pursuing equality between the races? Because if we were all equal wouldn't other races be upholding, promoting and living by these universally moral Multicultural standards of equality and be keen to see them applied to their own racists and criminals? But as we know, facts don't matter, only the fantasy of equality for all does.

This double standard is also evident on the world political stage. Why is it we see leaders from the West fawning over the third-world, uttering trite and meaningless platitudes along with grovelling apologies for how badly the West has behaved throughout history? Isn't it strange how these leaders, elected in the West on policies of multiculturalism and racial equality never, ever promote these policies to people of the third world? For example, not once has any Western leader made a speech to the Middle East saying:

"We now live in a Multicultural global society. The Arabian peoples of the Middle East must come to realise that all people are equal and must allow people of all colours and all faiths to build communities and settle in peace in your countries. The present attitude of Muslims towards women and peoples of other faiths is racist and oppressive, it is an apartheid that must end and the international community demands an end to this injustice."

Isn't that more or less what the West said about South Africa and Rhodesia? A Marxist-Liberal West who piously demanded an end to apartheid backed up with the imposition of sanctions from the UN and exclusion from the world's sporting community.

If we're all truly equal, then shouldn't the Middle East - and other non-multicultural nations - also be treated in the same way? And in such nations I include the modern South Africa, "*The Rainbow Nation*", where under black rule the Marxist ANC are viciously persecuting whites and where the Boers are facing a murderous genocide and where poignantly, let's not forget, many black people are now suffering far more than they ever did under apartheid.

It is so obvious even a blind man from planet blind could see it: Multiculturalism and the fantasy world of equality only apply to the West and it is applied using exactly the moral inversion predicted by Nietzsche that we have been discussing in these essays. It is a widespread madness that is, without doubt, leading the entire white race into the abyss.

A Grand Deception

The folly of multiculturalism and its mantra of equality is one of the biggest con-tricks ever played on a people. All of the main political parties promote Multiculturalism, the corrupt **EUSSR** is working to enforce equality and multiculturalism by law, all of the Western media with very few exceptions endorse Multiculturalism and of course, most of the worshipped, fame-craving celebrities in the West also support multiculturalism and this really should clue one in as to how absolutely ridiculous the pursuit of equality is.

Here we have an elite group of people who are waxing lyrical about Multiculturalism and equality yet they do not live or act as equals. From corrupt, thieving politicians who

abuse the trust of the very people who voted for them by stealing tax payer's money to line their own greedy pockets, to self-righteous, condescending idiots like **Billy Bragg** and **Ross Kemp** who continually brand BNP supporters as "*racists and fascists*" yet do not live in "*enriched*" Multicultural towns such as Glodwick, Leicester or Brixton. These hypocrites are the modern day "*do as I say not as I do*" ranting preachers of the Liberal-Multicultural religion. They are living proof that some people not only are more equal than others but firmly **BELIEVE** they are more equal than others.

They talk the talk to get what they want, they sure as hell do not walk the walk and they have no intention of so doing. Equality is not for them and they have made that abundantly clear.

And the gullible and the naive masses lap up every drop of this putrid Multicultural vomit spoon-fed to them by an elite who hold their own people in utter contempt and who see the people as useful-idiots and cash-cows to be milked for all they're worth. But delirious Liberal-Multiculturalists blinded by their own self-righteousness fall for the con and enslave themselves to the Liberal-Multicultural ideology and engage in a futile, childish and self-destructive pursuit of equality at the behest of their profiteering, deceitful masters. They'd have more success finding a pot of gold at the end of the rainbow.

Such is the questionable mental state of Liberal-Multiculturalists and their conviction in equality of races, cultures and sexes. They are completely blind to the fact that those who are promoting and preaching the virtues of multiculturalism and equality simply don't live it. The privileged elite who have brought Multiculturalism to the West could afford to conduct an experiment on society and not suffer the consequences of their stupidity and hypocrisy. Many of them have made fortunes by promoting and enforcing this evil, unnatural ideology that is dismantling British communities and destroying Western societies.

It simply doesn't occur to the devout Liberal disciples that it's ever so easy to feel pity for other people and spout equality and multiculturalism when you live in a country mansion, eat the finest foods, drive a Bentley and luxuriate in the celebrity lifestyle.

It's also easy for upper middle-class Liberals living in leafy suburbs and safe, decent neighbourhoods, who drive nice cars, wear the trendiest designer clothes and eulogise about the wonders of Multiculturalism at dinner parties because they've dined at Armenian and Japanese restaurants, regularly order home-delivered curries from the nearest Pakistani sweet shop and send fifty quid to "*Africans In Need Yet Again*" charities twice a year. For these mollycoddled strangers to reality, that is the meaning of multiculturalism and equality.

They are blissfully unaware of the benefits of diversity being endured by their less-fortunate kin living in enriched British cities where they have to compete with swarms of immigrants to obtain work at the lowest possible wage. Britons whose kids are bullied and pressed into gang culture where their teenage years will be spent in a fog of intoxication, either blind drunk on cheap alcohol or high-as-kites on heroin, weed or worse, crack cocaine.

Britons whose teenage daughters are being sexually abused and gang raped by various races who hate whites. These are the expendable indigenous Britons, an unequal underclass who are living the nightmare reality of Multiculturalism that was imposed upon them without their consent and who know precisely what the benefits of enrichment and diversity truly are.

Such Britons are the lab-rats of the Marxist-Multicultural social experiment. Many of them have not had the opportunity to benefit from a good education and they have been repeatedly betrayed by traitors whom they trusted with their precious vote to speak up

for them and protect their communities.

For these Britons, the harsh reality of multiculturalism hits hard and they most definitely are not treated or regarded as equals. They suffer the consequences of the hypocrisy and the stupidity committed by hypocritical elites who can afford the luxury of avoiding the disastrous consequences arising from their pernicious social experiment.

These unequal Britons who endure the horrors of Multiculturalism every day also know all too well the real meaning of diversity: It is nothing less than the deliberate destruction of their way of life and the systematic breakdown of their communities by state-sponsored ethnic cleansing combined with a bloodthirsty genocide committed by hate-filled, anti-white, racist immigrants.

These are the British people who suffer the consequences of multiculturalism so those who do not can appear virtuous and righteous with their "we're all equal" mantra whilst acting as superiors who feather their own nests and lie and deceive at every turn to protect their own selfish interests.

All people are equal? Please. Don't make me laugh. Or weep.

Conclusion

Just as Nietzsche foresaw, the Godless religion of Marxism, with its evil twin spawns Liberalism and Multiculturalism, works by creating "*victim groups*" who are then used to destroy Western society by inverting morality and demanding more and more from society to compensate for their unjust oppression.

Equality is used to support the cause of these victims. From equality of the sexes to equality of the races, Marxists need victims for their rotten ideology to flourish. It is a sick dependency that brainwashes people to believe they are weak victims whose "injustice" and "unequal status" is morally wrong and that the strong oppressors - the white race - must be made to pay for their immoral, unfair superiority. To say it is "*The Mother of all guilt-trips*" puts it mildly.

Yet this pursuit of equality only occurs in Western, Liberal-Multicultural societies and the rest of the world only plays the equality game when masses of third-world immigrants flood the West or when former first-world African nations become third world nations under black rule who demand more and more from white communities to pay for the "*injustice*" of apartheid and white colonial rule.



The attitude of the third-world to the West - make that white people - is simply this: What's yours is ours and what is ours is our own. It is a despicable attitude that is reducing the West to a life-support machine for other less advanced races yet if the indigenous people of the West were to adopt this unequal attitude, they would be vilified by other races along with self-loathing Liberal-Multiculturalists from their own race as "*racists*" and "*haters*".

Such a hypocritical and weak attitude just encourages millions of blacks, Orientals and Asians to become parasites who dine at the abundant table of the West for free. They jealously want what the white man has created, they deem it their right to have what the white man has because he only got it by

oppressing other races and yet they continue to contribute little - if anything - of any real worth to advance the entire human race.

And the more the pious Liberal-Multicultural disciples scream *"we're all equal"* the more glaringly unequal nature reveals us to be. Such arrogant, misguided fools are akin to King Canute who tried to halt the tide but who came to realise his folly and was humbled by his attempt to battle Mother nature:

"Let all men know how empty and worthless is the power of kings, for there is none worthy of the name, but He whom heaven, earth, and sea obey by eternal laws."

For the last fifty years, the white race has arrogantly refused to obey these eternal laws and it will pay a heavy price unless it comes to realise the futility of continually fighting against Mother nature. **King Canute** realised it and other human races continue to realise it but whether or not the crack-brained Liberal-Multicultural disciples have the humility to realise their folly of battling with Mother nature is quite another matter.

But be in no doubt whatsoever that Mother nature will demand they pay the heaviest price for their arrogance and she will not care one iota if the entire white race has to pay too. Mother nature knows not pity as even self-righteous Liberal-Multiculturalists will find to their cost, you can be completely assured of that.

Unedited source:

<http://isupporttheresistance.blogspot.com/2009/06/from-titans-to-lemmings-suicide-of.html>
1. <http://sarahmaidofalbion.blogspot.com/>

Read all the essays in this great series by Reconquista:

From Titans To Lemmings Part 1

<http://iluvsa.blogspot.com/2009/05/from-titans-to-lemmings-suicide-of.html>

From Titans To Lemmings Part 2

<http://iluvsa.blogspot.com/2009/06/from-titans-to-lemmings-suicide-of.html>

From Titans To Lemmings Part 3

<http://iluvsa.blogspot.com/2009/07/from-titans-to-lemmings-suicide-of.html>

From Titans To Lemmings Part 4

<http://iluvsa.blogspot.com/2009/08/from-titans-to-lemmings-part-iv.html>

From Titans To Lemmings Part 5

<http://iluvsa.blogspot.com/2009/08/from-titans-to-lemmings-suicide-of.html>

From Titans To Lemmings Part 6

<http://www.nationalpolicyinstitute.org/2009/09/13/xxxx/>

From Titans To Lemmings Part 7

<http://www.nationalpolicyinstitute.org/2009/10/01/from-titans-to-lemmings-part-7/>

2.24 Ignorance and Multiculturalism must be destroyed

By D.L. Adams

There are two critical impediments that prevent the West from engaging effectively, or at all, in this existential conflict with Islam. Ignorance and multiculturalism (proto-legitimised moral relativism) must be deconstructed and delegitimised.

It is a moral and ethical failure to be ignorant of the purposes and doctrine of political Islam. Ignorance of an existential enemy is shameful and indefensible. Multiculturalism must be exposed for the disastrous pseudo-philosophy of ignorance that it is. Founded upon ignorance and silly utopian anti-intellectualism, multiculturalism prevents us from responding to political Islam because to do so in our morally bankrupt multicultural world is seen as intolerance. Defending your nation from cultural and literal annihilation is not "intolerance" it is the height of patriotism and rationality.

The fundamental dual concepts of multiculturalism are "tolerance" and "inclusiveness". These very "nice" concepts are founded upon the idea that all cultures are of equal value and that differences between cultures are to be applauded and "accepted" rather than condemned when such condemnation is appropriate. The idea that a culture can be corrupt or even evil is dismissed as "bigotry" in the multiculturalist's broken anti-knowledge world. Multiculturalism is the soiled garden in which Islam grows.

People who know the doctrine of political Islam and have the effrontery to discuss it in public are accused of bigotry by multiculturalists and the ignorant. The doctrine of political Islam as found in Sira, Koran, and Hadith is inherently intolerant and exclusive but this does not deter the multiculturalists. There is an unspoken superiority in their world; they believe themselves superior because they are so inclusive, accepting, and "nice". The forces of evil see this welcoming inclusiveness from the cultures of the West as the actions of fools. These foolish actions are of great value to political Islam because in their false feelings of superiority multiculturalists are the perfect "dhimmis" for Islam, perfect servants of a totalitarian ideology whose purposes are entirely destructive of inclusiveness and tolerance. Multiculturalists are anti-knowledge useful idiots for the forces of cultural and literal annihilation that is Islam.

There has long been a concept very popular in the United States regarding immigration and assimilation which is that if we show new-comers to our shores how nice, welcoming, and good we are, they will all become Americans. This model has worked for generations with European, Asian, South Americans and immigrants from across the world. Islam does not fit this model.

The model has failed because Islam does not assimilate. Islam does not assimilate because Islam is about submission. The word "Islam" translates to "submission". Adherents of the so-called "religion of peace" are not interested in assimilation, they are interested only in bringing the entire world under Allah's "religion". For adherents of this miserable and cruel political ideology of hate and conquest only one religion, one political system, and one culture is allowed – that of Allah and Mohammed. All other religions, cultures, and political systems are to be annihilated.

Because multiculturalists are willfully ignorant about the cultures that they defend – to them all cultures (no matter how abysmal they may be) are worthy of defence simply because they are "different" – Islam sees that the cultures of the West cannot defend themselves against them.

In fact, multiculturalism is the tool by which Islam infiltrates our institutions and political systems. Islam is at war with all non-believers everywhere and forever, this is called "jihad" or "fighting in Allah's cause". Jihad is so foundational to Islam that it is mentioned

over 150 times in the text of the Koran. Because multiculturalists have no need to know anything about any culture (after all, all cultures are "equal" therefore knowledge of any one culture is of little necessity, value, or import) they do not understand that they are under attack.

Multiculturalism and ignorance, the two walk hand in hand together, are the greatest weaknesses of the cultures of the West.

The model of assimilation has failed. It has failed because resurgent Islam and its jihad has no interest in assimilation. Multiculturalists do not know this, and when they are told the truth, they refuse obstinately to believe it. Acceptance of the truth of Islam is to accept the failure of the fundamental concepts of multiculturalism.

We in the West must judge cultures and adherents to such cultures when we make immigration decisions. We must accept the literal truth that some cultures are unpleasant and have belief systems that are contrary to ours. The idea that everyone loves freedom is a broken and confused concept. It is a ruined shell because in Islam the only freedom that is considered of value is the complete submission to Allah and Mohammed (and the doctrine of Islam). Islam sees freedom in total submission to the doctrine of Islam.

When we open our doors to Islam, we open ourselves and our nations to forces that reject our concepts of tolerance and inclusiveness. This is the absurdity and horror of multiculturalism- it is a failed philosophy of self-destruction.

We must learn the doctrine of Islam. Knowledge of the doctrine is akin to having the "playbook" of the opposing team in a sporting match. But this is not sport for us, it is about nothing less than our existential survival as non-Islamic countries and cultures. We must learn the doctrine of Islam to dispel our ignorance of Islam. Without knowledge of Islam we cannot oppose it; without knowledge some do not even realise that they are at war with us and therefore we are at war with them.

The banishment of ignorance through knowledge is critically important if we are to survive as freedom-loving, tolerant, and "nice" cultures. It is a patriotic duty to learn the doctrine of Islam and educate others about it.

We must destroy multiculturalism; deconstruct it, delegitimise it, and acknowledge it as the Utopian self-destructive fantasy that it is. All cultures are not equivalent. Some cultures are better than others, and some are our enemies and some our friends. This is reasonable, rational thinking. The foundational concept of multiculturalism is that all cultures are of equal value and worth. This is inclusiveness, tolerance, and "niceness" taken to the extreme. This is anti-intellectualism and irrational thinking that will result in the entire loss of our civilisations. Multiculturalism must be destroyed and swept into the dustbin of absurdity where it belongs.

Failure to destroy multiculturalism, delegitimise it and its adherents as the intellectual imposters and fools that they are is a national failure whose consequences are beyond unpleasant. Multiculturalism is the tool by which Islam gains access to our countries for the purpose of the destruction of the host culture.

The doctrine of Islam is clear on these points as are the adherents of the so-called "religion of peace". Jihad is a responsibility for all Muslims. It is the command of both Allah and Mohammed. Muslims who do Jihad are "good" Muslims because they follow the commands of Allah and Mohammed; those who do not do jihad are "extremists" because they reject the commands of the doctrine of Islam. Those who reject jihad are perfect fodder for jihadists because they are not "good" Muslims. This concept must be understood clearly. Our conceptions of good/evil, right/wrong do not apply in the Islamic worldview.

Multiculturalism must be destroyed. Multiculturalists must be mocked and criticised for the self-destructive fools that they are. Their philosophy is used by our enemies to gain entree and power in our institutions and cultures. Multiculturalists, in their Utopian ignorance, are tools of the enemy – their philosophy must be rejected, repudiated, and deconstructed so that rational thought can again be the dominant mode of thought across the West. To do any less is failure.

When we know nothing of Islam, we lose. When we say that all cultures are equivalent and we can no longer identify good and evil, right and wrong, we lose. Ignorance of Islam is not acceptable; it is a moral and ethical failure.

Multiculturalism is a tool of Islam; it is a disastrous ideology of false “nice” that is used to stifle critical thought and open debate. Multiculturalism is a complete failure as it is used by our enemies to destroy us. It is a failed fake intellectual concept for “nice” people to abjure their responsibilities to themselves, their cultures and countries. Multiculturalism must be destroyed.

Globalised capitalism – another reason for the Fall of Europe

"The 20th century has been characterised by three developments of great political importance. The growth of democracy; the growth of corporate power; and the growth of corporate propaganda against democracy."

Alex Carey, Australian social scientist.

2.25 Is Capitalism Always a Force for Freedom?

More companies are now giving in to Muslim pressure^[1] over Geert Wilders' Islam-critical movie. I keep bashing Marxists in my writings, and they usually deserve it^[2]. I honestly believe it is impossible to write anything meaningful about what ails the West without taking the prolonged and highly destructive influences of Marxism into account.

Yet Marxists are not powerful enough by themselves to generate all the problems we are now facing. You would have to be pretty blind not to see the importance of business ties in relations between the West and the Islamic world, certainly in the case of Europe and the Middle East, but also with the United States and Saudi Arabia. Money makes the world go around, after all. One does not have to be a Socialist to see that the short-term interests of Big Business are not always identical to the long-term interests of the nation as a whole, especially not when it comes to immigration. Multinational corporations, which by their very definition have loyalty towards no nation, should not be allowed to direct national immigration policies.

Is capitalism always a force for freedom? It is easy for "conservatives" to think so, but is it always true?

There are several perspectives one can use when trying to understand the European Union, for instance. One is that it is somehow related to the Communist utopia and the unaccountable, transnational bureaucracy of the Soviet Union. This does make some sense, but on the other hand, the EU cannot be properly understood simply as a Marxist organisation. It has always held the backing of Big Business interests who want easy access to greater markets. They do not automatically care about national sovereignty or borders, which are vital to the continued existence of any truly free society.

I am particularly concerned over the recent attempts by various Western corporations to appease Islamic demands for sharia censorship. Both regarding the Danish cartoons and the Wilders movie in Holland, business interests have been among the most prominent in denouncing these attempts to defend Western freedoms because they care only about their market shares and not about the wider issues.

When we also know that many companies support mass immigration because they want easy access to cheap labour, including Muslim immigration, this means that they contribute to Islamisation, at home and abroad. Can we then say that capitalism is always a force for freedom? I think not. As Thomas Jefferson said, "Merchants have no country. The mere spot they stand on does not constitute so strong an attachment as that from which they draw their gains."

Dutch companies have given into a Jordanian boycott by placing newspapers advertisements condemning the film Fitna^[3]

De Volkskrant reports that Dutch companies have given into a Jordanian boycott. The

companies Zwanenberg and Friesland Foods have placed advertisements in Jordanian newspapers saying they oppose the film Fitna by populist politician Geert Wilders.

Last week the group 'The Messenger of Allah Unites Us' brought a case against Wilders in a Jordanian court, accusing him of racism and incitement to hate Muslims. Wilders said he feared Jordan would issue an international warrant for his arrest.

The group, which had already mounted a boycott of Danish products because of the Muhammad cartoons, also began a boycott of Dutch companies. De Volkskrant tells us:

"On Wednesday all travel agencies in Amman received a letter asking that they not do business with KLM. The letter will also be distributed in other Arab countries."

The chairman of the Messenger of Allah Unites Us, Zakaria Sheikh, says he has printed a million posters calling for a boycott of Dutch products. He says the only way Dutch companies can get themselves off the list is to take out ads in newspapers condemning the film.

In its advertisement, the Zwanenberg Food Group says it "rejects the opinions and statements" in Wilders' film. "We strongly condemn the anti-Islam comments which we believe don't have any other purpose than to insult."

The company also expressed its "Solidarity with the campaign by The Messenger of Allah Unites Us in its attempts to pass international legislation banning insults to religion, including Islam and the Prophet Muhammad (Peace be with Him)."

From the Brussels Journal[4]:

VNO-NCW, the Federation of Dutch Employers, has ordered its lawyers to see whether it is possible to claim damages from Mr Wilders for the loss of income which Dutch companies may possibly suffer as a result of a boycott of Dutch products by Muslims who are angry at Mr Wilders and at the fact that the Dutch have not been able to shut him up. "Companies like Shell, Philips and Unilever are easy to recognise as Dutch companies," VNO-NCW chairman Bernard Wientjes told the newspaper Het Financieele Dagblad. "I do not know how rich Geert Wilders is, or how well insured he is, but if we suffer from a boycott, we will investigate whether it is possible to claim damages from him." Last November, Doekle Terpstra, a member of the board of Unilever, called upon the Dutch to "rise in order to stop Wilders" because "Geert Wilders is evil and evil has to be stopped."

Source:

<http://gatesofvienna.blogspot.com/2008/06/is-capitalism-always-force-for-freedom.html>

1. <http://www.expatica.com/nl/articles/news/Zwanenberg-and-Friesland-Foods-condemn-Fitna.html>
2. <http://www.opendemocracy.net/article/open-borders-global-future>
3. <http://www.expatica.com/nl/articles/news/Zwanenberg-and-Friesland-Foods-condemn-Fitna.html>
4. <http://www.brusselsjournal.com/node/3145>

2.26 Big Business, a Driving Force behind Immigration

By John Laughland

In Britain, the House of Lords has reported[1] that the economic impact of immigration is minimal and has concluded that it ought to be capped. The report is seen as a decisive defeat for the government's long-held view that immigration boosts the economy by increasing production.

The Lords have found that, while the total size of the economy does rise when there is high net immigration, this does not mean that prosperity as such rises. Per capita GDP remains the same. In other words, the size of the economy rises only to the extent that there are more people in the country than before. The economic benefit of mass immigration is zero.

The social costs, of course, are very considerable. The most significant of these is the impact on the cost of housing[2]. The report finds, among other things, that if the present rate of immigration continues, then the average property will cost 10.5 times the average income in 2031. Eight years ago, the ratio was 4 and now it is 6.5.

The inflation of property prices causes immense social and economic damage, although Britain's numerous property owners have for years deluded themselves that they are getting richer because their houses go up in price so spectacularly. When property rises in cost, the whole economy suffers since all businesses need premises from which to operate. Families suffer, too, because people have fewer children if they cannot afford enough bedrooms to put them in.

The Lords' report is a huge vindication for the brave campaigning of Sir Andrew Green, Chairman of Migration Watch[3], and someone whom I have the honour to know personally. Since immigration exploded when New Labour came to power, this former Ambassador to Saudi Arabia has managed brilliantly to put immigration on the agenda without ever giving off so much as the slightest hint of racism. On the contrary, his measured tones and careful statistics have ensured that he is listened to with great respect[4]. The report is nothing less than a total vindication of everything he has been saying for years.

Why, then, has there been such a firm lobby in favour of immigration for so long? The answer lies in one of the most arresting facts about modern politics – a fact which, in my view, even the most redoubtable experts like Andrew Green have perhaps not quite taken on board. I refer to the unlikely alliance between big business and the New Left.

This alliance reached its apogee under Tony Blair, who was known for his slavish admiration for rich people whose hospitality he so often enjoyed for free. But it extended throughout New Labour. Peter Hain, the onetime anti-apartheid campaigner, a man whose progressive credentials could hardly be more immaculate, had to resign in February[5] because he had accepted £100,000 from a pharmaceutical magnate, one of whose companies is facing prosecution for the biggest fraud ever alleged in the United Kingdom.

The alliance between big business and the New Left is not, however, based merely on the greed, opportunism and venality of politicians, or on the desire of big companies to buy political influence. Instead, it is based on ideology. Specifically, big business is in favour of immigration not only because it drives down wages – allowing profits to remain high without companies actually having to sell more products – but also because it is culturally in favour of multiculturalism.

The entire ethic of post Cold War globalisation, indeed, is profoundly anti-national. The multinational corporation, like Marx's worker, "has no country": the modern international corporate executive is more at home in an airport departure lounge or a Hilton hotel than in a village pub. He scorns any notion that the legislative framework of a state should give preference to the fixed inhabitants of that state, and instead tells the government that he will simply re-locate, like some disembodied spirit, to another part of the world if the tax regime is not favourable to him. To put it bluntly, multinational companies are vehicles of cosmopolitanism, every bit as powerful and influential as the more intellectual proponents of multiculturalism and the end of the nation-state.

The big corporation likes immigration because immigrants drive down wages and are typically not unionised. Big companies do not care if immigrants do not pay taxes, or if they make extra demands on schools and hospitals, because the state picks up the bill for that. They do not care if there is general inflation, or sector-specific inflation such as in property, because they have their eye on next year's bottom line, and on their Christmas bonus, not on what will happen a generation hence. Big companies operate on the principle "privatise the profits, socialise the losses", demanding that policies be pursued which increase their income because the costs are passed onto the taxpayer and society at large.

As Pat Buchanan argued brilliantly in *The Death of the West*, economic history shows that periods of high immigration do not coincide with periods of high economic growth. Japan grew spectacularly in the period 1955 – 1993 but immigration over that time was zero. The periods when America's prosperity has risen are those when immigration has been low; the economy stalls, by contrast, when it is high.

Ever since Mrs Thatcher, the predominant ethic in British politics has been pro-business. The slogan is "free trade", but that is not the same thing. Of course it was necessary in the early 1980s to free Britain from the excessive shackles which the trades unions represented; but, in domestic politics as in diplomacy, there are no permanent victories, especially not if political parties stop thinking, as the Tory part did long ago. So deeply entrenched has "free trade" now become that it is a taboo which unites the whole political class. Any suggestion that the activities of business should be limited or directed by the state is dismissed as Luddite economics, reactionary thinking worthy of a flat-earther.

In fact, Britain and many other European states are themselves just as much in hock to the demands of big business now as they were to the labour movement a generation ago. The pendulum has now swung too far in the opposite direction. Let us hope that the breaking of the taboo of immigration will mark the moment at which it starts to swing slowly back.

Sources:

<http://www.brusselsjournal.com/node/3144>

1. <http://www.publications.parliament.uk/pa/ld200708/ldselect/ldeconaf/82/8202.htm>
2. <http://www.telegraph.co.uk/news/main.jhtml?xml=/news/2008/04/01/nmigrants201.xml>
3. <http://www.migrationwatch.org/>
4. http://www.dailymail.co.uk/pages/live/articles/news/news.html?in_article_id=552449&in_page_id=1770
5. <http://www.monbiot.com/archives/2008/02/05/death-of-the-noble-idea/>

2.27 Migration has brought 'zero' economic benefit

By Philip Johnston and Robert Winnett

Ten years of record immigration to Britain has produced virtually no economic benefits for the country, a parliamentary inquiry has found.

A House of Lords committee, which is due to report next Tuesday, will call into question Government claims that foreign workers add £6 billion each year to the wealth of the nation.

It is expected to say this must be balanced against the increase in population and their use of local services such as health and education, resulting in little benefit per head of the population.

"Our overall conclusion is that the economic benefits of net immigration to the resident population are small and close to zero in the long run," the report will say.

The findings of the Lords economics committee threaten to demolish the key argument made by ministers to justify the highest levels of immigration in the country's history.

The inquiry by the committee, which includes two former chancellors and several former Cabinet ministers, is the first to try to balance the costs and benefits of large-scale immigration.

The population is increasing by more than 190,000 every year, largely as a result of immigration.

Foreign workers now make up 12.5 per cent of the labour force, compared with 7.4 per cent a decade ago. Critics say Labour lost control of the borders, issued too many work permits and should not have opened up the labour market to eastern Europe.

However, ministers say that without large-scale immigration there would have been slower economic growth.

A Whitehall paper produced for the committee said average output growth over the past five years was 2.7 per cent a year and migration contributed an estimated 15 to 20 per cent of this. The Government said this indicated a contribution of £6 billion - or £700,000 a day- from foreign workers.

However, the committee's final report is expected to say the Government should have focused on the impact of immigration on GDP per head, not the economy as a whole.

David Coleman, a professor of demography at Oxford University, said in his evidence to the committee that the Government had excluded costs from crime, security, the race relations process, health "tourism" and imported ailments such as TB.

Richard Pearson, a visiting professor at the University of Sussex's Centre for Migration Research, said: "While migrants have clearly helped alleviate often long-standing skill shortages, they have also filled many low-skilled jobs, often at very low wages.

"These migrants are likely to be displacing, and reducing the incentive on employers to recruit and train low-skilled, indigenous workers."

Comments:

<http://www.telegraph.co.uk/news/main.jhtml?xml=/news/2008/03/29/nimm129.xml>

Increased crime alone would wipe out any economic benefit. There are several thousand native Europeans lying in graves who would be alive today if it were not for mass immigration. There are tens of thousands of living ones who have suffered vicious immigration crime. Millions more are going to suffer in the future, because this disaster will not be reversed overnight.

Unfettered and indiscriminate immigration also creates a voter base for those in power. In the US, the Republicans favor immigration because of big business, yes, but the Democrats favor it because they want their votes.

So, the former wants it because of greed. The latter wants it because of power.

Source:

<http://www.telegraph.co.uk/news/uknews/1583218/Migration-has-brought-zero-economic-benefit.html>

2.28 What Does Muslim Immigration Cost Europe?

By Fjordman

Do gang rapes boost GDP? Was that an offensive question, you say? Well, according to Sweden's finance minister Pär Nuder[1], more immigrants should be allowed into Sweden in order to safeguard the welfare system. However, in reality estimates indicate that immigration costs Sweden at least 40 to 50 billion Swedish kroner every year, probably several hundred billions, and has greatly contributed to bringing the Swedish welfare state to the brink of bankruptcy[2]. An estimated cost of immigration of 225 billion Swedish kroner in 2004, which is not unlikely, would equal 17.5% of Sweden's tax income that year, a heavy burden in a country which already has some of the highest levels of taxation in the world.

At the same time, the number of rape charges[3] in Sweden has quadrupled in just above twenty years. Rape cases involving children under the age of 15 are six times as common today as they were a generation ago. Resident aliens from Algeria, Libya, Morocco and Tunisia dominate the group of rape suspects. Lawyer Ann Christine Hjelm, who has investigated violent crimes in one court, found that 85 per cent of the convicted rapists were born on foreign soil or by foreign parents. Swedish politicians want to continue Muslim immigration because it boosts the economy, yet the evidence so far indicates that it mainly boosts the number of gang rapes. Meanwhile, research shows that fear of honour killings is a very real issue for many immigrant girls in Sweden. 100.000 young Swedish girls[4] live as virtual prisoners of their own families.

An ever growing group of non-western immigrants in Norway is dependent on welfare[5]. This was the conclusion of a study by Tyra Ekhaugen[6] of the Frisch Centre for Economic Research and the University of Oslo. Ekhaugen's research contradicted the often heard assertion that Norway's labour market depends increasingly on immigrants. The study indicated quite the reverse. If the present evolution continues, immigration will increase[7] the pressure on the welfare state rather than relieving it because many

immigrants do not join the tax-paying part of the population. "Non-Western immigrants" in Norway are recipients of social security benefits ten times[8] as frequently as native Norwegians. If we remember that "non-Western immigrants" include Chinese, Indians and other non-Muslims who are known for (and statistically proven to be) hard working, this speaks volumes of the heavy burden Muslims constitute on the welfare state.

Journalist Halvor Tjønn[9] from newspaper Aftenposten, one of the few genuinely critical journalists in the country, in June 2006 cited a report from NHO, the Confederation of Norwegian Enterprise. NHO stated that the current immigration policies were a serious threat to the country's economy. Norway is the planet's third largest exporter of oil, next to Saudi Arabia and Russia. Yet according to NHO, there is a risk that much of the profit Norway earns from oil could be spent on paying welfare for a rapidly growing immigrant population. The most profitable immigration would be high-skilled workers who stay for period of limited duration, but at the same time not too brief. A Danish think tank has estimated that the net cost of immigration was up to 50 billion kroner every year, and those were cautious estimates. Denmark could thus save huge sums by stopping immigration[10] from less developed countries. A study found that every other immigrant from the Third World -- especially from Muslim countries -- lacked the qualifications for even the most menial jobs[11] on the organised Danish labour market.

Professor Kjetil Storesletten at the University of Oslo said that the net contribution of immigrants to the economy was probably negative in Norway, too. "Admitting immigrants with low levels of education leads nowhere. We cannot continue the immigration policies we have followed until now," said Storesletten. In Norway, social benefits and salaries for low-skilled workers are among the highest in the world. At the same time, the salaries for highly skilled workers are comparatively lower and the taxes are high. This compressed salary structure is the result of decades of Socialist policies in Scandinavia. It leads to attracting people with lower skills and little education, but also makes the countries less attractive for researchers and scientists. Still, the agency that handles immigration to Norway, UDI, in 2005 thought that the country must make it more attractive for both skilled and unskilled workers[12] to move to Norway. "We need more immigrants," claimed UDI chief Trygve Nordby. "Too few dare to say that we have a large need for non-professional workers as well," he said. UDI, in turn, should be able to have more flexibility in deciding cases, and process cases more quickly and efficiently. As it turned out later, the bureaucrats of UDI were in fact so "flexible" that they had been running their own, private immigration policies, and that the agency's liberal interpretation of asylum rules had "stretched the boundaries" of the law. UDI violated both the law and political directives when it granted residency permits to nearly 200 Iraqi Kurds[13] in the fall of 2005. A commission that probed the controversial permits blasted the former head of UDI, Trygve Nordby, and his successor resigned[14]. More than half[15] of the social security benefits in the city of Oslo are spent of non-Western immigrants, a portion that has grown tremendously over the years. City council leader Erling Lae[16] warns against prejudice and states that without immigrants, there would be "complete chaos" in Oslo. Meanwhile, Norwegian newspapers are worried that online debates are "flooded with racist comments" about Muslims. One of the racist comments they mentioned was this one: "A large number of Muslims out of their own, free will choose to live in parallel societies where they speak their mother tongue, watch foreign TV, despise the society they have moved to and pick spouses from their original homelands. The only contact they have with the natives is in the social security office."

"The debate is often coloured by ignorance. It is not a human right to be heard at any given time. It requires a certain minimum of social intelligence to be allowed to participate in the public debate," says Esten O. Sæther, online editor of the Leftist, pro-Multicultural newspaper Dagbladet[17]. Sæther warns that the newspapers may have to impose stricter censorship on their online discussion forums and the comments to online articles. However, Dagbladet seems to have little understanding of why so many people are fed up with Muslims and their demands. Neither have they admitted that they were

wrong in their one-sided praise of the positive effects of Muslim immigration for decades, nor apologised for demonising the right-wing Progress Party and its leader Carl I. Hagen throughout the 90s for their "racism" for questioning the real costs of this immigration.

On the contrary, although information about the costs of Muslim immigration has been available for several years, this was a non-issue in Norwegian media prior to the national elections in 2005. Instead, they were focusing on "poverty" in Norway and the need for increased welfare spending. This in a country that is among the wealthiest in the world and which provides its citizens with the highest social security benefits in Europe. Norway's media coverage of the national elections revealed a desire for a Leftist government, said Election expert Aarebrot[18], a professor at the Institute for Comparative Politics at the University of Bergen. He argued that, with few exceptions, most of Norway's media leans to the left politically. "Most newspapers are what I would call politically correct. By politically correct in Norway today I mean slightly radical, urban and liberal," Aarebrot said. Nearly 70 percent of journalists vote Labour (Ap), Socialist Left (SV) or Red Electoral Alliance (RV) according to a poll, and this is reflected in the press, Aarebrot said.

Oslo will have a non-Western majority in a few decades, if the current trends continue. There are now several researchers who predict that in Norway, Sweden and Denmark, the native population and their descendants will become a minority in their own country within this century. The only question is when. Since the Islamic Jihad usually enters a much more aggressive and physical phase once the Muslim population reaches 10 – 20% of the total in any given area, this does not bode well for the future of the urban regions in Scandinavia. Will they turn out different from similar regions in Thailand, the Philippines or Nigeria?

Admittedly, part of the problem lies with the Western European welfare state system itself[19] and cannot be blamed on the immigrants alone. Iranian Nima Sanandaji tells of his family's meeting with the Swedish system[20]: "In Sweden my family encountered a political system that seemed very strange. The interpreter told us that Sweden is a country where the government will put a check into your mailbox each month if you don't work. She explained that there was no reason to get a job." "Although my mother got several jobs, we concluded that this really didn't improve our family's economy. During the sixteen years we have been in Sweden, my mother has in total worked less than one year."

However, part of the problem is also due to the mentality of some of the Muslims who move there, yet display no loyalty to their new countries. Immigrant men who divorce their wives according to secular law, but stay married to them according to sharia, Islamic law, represent an increasing problem in the city of Odense, Denmark[21], according to Erik Simonsen, deputy major in charge of administration. The result is a large number of "single" women who receive welfare support. From other countries, it is known that some Muslim men do this trick with several women at the same time. Some observers blamed the Muslim riots in France in 2005, accurately described by writer Mark Steyn as the "first welfare funded Jihad in history," on polygamy practiced by Muslim men, paid for by French taxpayers. But also immigrants who are financially independent are cheating, says Simonsen. "80 percent of the immigrant economy in Odense is a black market economy. That's a lot, and it cannot be tolerated, because the law is equal for all."

As one Muslim in Norway stated[22]: "I worked in a Pakistani shop, but all of the work there is 'unofficial.' Neither the boss nor I pay taxes to Norwegian authorities. In addition to this, I receive 100% disability benefits and welfare. I have to be cunning to make as much money as possible, since this is my only objective with being in Norway." Undoubtedly, many Muslims view welfare money from the infidels as Jizya, the poll-tax non-Muslims according to the Koran are supposed to pay to Muslims as tribute and a sign

of their inferior status and submission to Islamic rule. In Britain, one member of an Islamic group warned an undercover reporter against getting a job because it would be contributing to the kuffar[23] (non-Muslim) system.

One of the reasons for the low participation in the work force among Muslims is a very high drop out rate from schools, especially for boys. Although Muslims themselves blame this on "poor integration efforts" and "marginalisation," some of them are actively obstructing their kids' education, lest they become too much like the infidels. Thousands of Muslim children with Scandinavian citizenship are sent to Koran schools in Pakistan and other countries, to prevent them from becoming "too Westernised." When this practice was documented and criticised by the Norwegian organisation Human Rights Service[24], Pakistanis in Norway had the galls to ask for a school for their children in Pakistan[25], funded by Norwegian taxpayers. They will probably get it.

According to the Copenhagen Post, in Denmark when the country's schools open their doors again after the summer holidays, not every student is there to enter. Some schools report one in every five students missing from the schoolrooms[26]. Daily newspaper Berlingske Tidende reported that some children had not returned from vacation in their homelands with their parents. 'When students are kept away from school start, it's a big problem for their integration and can affect the children's educational level,' said Integration Minister Rikke Hvilshøj. She said a committee would discuss methods to get parents to send their children to school from day one. 'These are children who have problems beforehand following what's going on at school,' Hvilshøj said. 'Not being there when the school year starts won't make it any easier. We need to make parents understand that if their children are to get a good chance in Denmark, they need to make sure that they are there when school starts.' Author and journalist Rushy Rahsid said she had often gone on long vacations to Pakistan with her parents as a child. 'Families go on such long trips to give their children a healthy dose of religion, culture, traditions, and family,' she said. 'If you buy a very expensive ticket, you want to take full advantage of the trip and meet the entire family.'

Not that the problems always disappear when they actually attend school, either. Going to school is no child's game for many children in Copenhagen, where beatings, kicks[27], robberies, and threats have everyday occurrences. The perpetrators are normally their own age. Violence and threats pose such a big problem in high schools in Malmö, Sweden[28], that the local school board wants to install surveillance cameras and security guards in the buildings. The city's education director Matz Nilsson said unruly and aggressive students had become a more common sight in the high schools of Malmö, the home of some of Scandinavia's biggest and roughest slums.

In the spring of 2006, police were deployed at a Berlin school[29] after teachers complained that they could not cope with their students' aggression and disrespect. A teacher who recently left the school told the Tagesspiegel newspaper that ethnic Arab pupils[30] were bullying ethnic Turks, Germans and other nationalities. "School for them," said Petra Eggebrecht, former director of the Rütli school, "is simply a place to fight for peer recognition, where young criminals become idols." Young people are also easy targets for Islamist organisations. Outside the Rütli school, the children greeted visitors in Arabic.

When reporters went to school[31] they were pelted with paving stones by masked youths from the schoolyard as the district's mayor stood helplessly at the entrance of the building. An increasing problem in German schools is that Arab male students often refuse to respect the authority of women teachers. Students at the Ruetli Hauptschule were not shy about expressing their views to reporters. "The German (students) brown nose us, pay for things for us and stuff like that, so that we don't smash in their faces." But there are also conflicts between Arab and Turkish students, mirrored in battles between the city's foreign-dominated youth gangs. Integration of foreign youths in Berlin

is often poor. Even second and third generation children frequently do not speak fluent German and many fail to complete school - all of which leads to a high jobless rate among immigrant youths. White German families are moving out of districts like Neukoelln.

Muslim immigration has led to a spike in organised and violent crime, too. As early as 2002, Lars Hedegaard together with Dr. Daniel Pipes[32] wrote about how Third-world immigrants - most of them Muslims from countries such as Turkey, Somalia, Pakistan, Lebanon and Iraq - constituted less than 5 percent of the population but consumed upwards of 40 percent of the welfare spending. What's worse, however, is that Muslims were only 4 percent of Denmark's 5.4 million people but made up a majority of the country's convicted rapists, an especially combustible issue given that practically all the female victims were non-Muslim. Similar, if lesser, disproportions were found in other crimes.

In 2005, it was reported that 82 percent[33] of crimes in Copenhagen were committed by immigrants or descendants of immigrants, and the police pressed charges against second-generation immigrants five times as[34] frequently per capita as against ethnic Danes. Doormen working in the Danish capital are now often armed with guns or clubs so as to be able to defend themselves against violent immigrant gangs[35]. There is more violence than ever before and some immigrant gangs have even been known to seek out doormen at their private homes. Immigrant criminal gangs are much more active than previously believed, and their brutality has them surpassing biker crime gangs[36] like the Hell's Angels or Bandidos, the State Police said. A Norwegian researcher warned that ethnic gangs could give Norway the kind of immigrant-related organised crime[37] that had previously been unknown in Scandinavia. Arne Johannessen[38] from the Norwegian Police Organisation warned in 2003 that the cost of crime may have been doubled during the previous decade, in part due to immigration.

In Sweden, there has been a steep rise in all kinds of crime and violence[39] at the same time as an unprecedented amount of immigration to the country. Of course, Swedish politicians would never dream of connecting the two. However, in one of those rare cases where a Swedish newspaper has actually told the truth, Aftonbladet revealed that 9 out of the 10[40] most criminal ethnic groups in Sweden were Muslims, a trend known from other European countries such as France, where Muslims make up 10% of the general population, but maybe 70% of the prison population. The number of people under the age of 18 who are serving sentences in juvenile detention centres in Sweden has risen sharply over the last five years.

Not that Western European prisons will scare immigrant children too much. The relaxed regime at a prison housing some of Holland's most dangerous[41] criminals has caused controversy. Pictures of tattooed prisoners enjoying a "social evening" and beer embarrassed the authorities which are sensitive to claims abroad that they are soft on crime. One inmate at Esserheem serving 14 years for murder said: "We have a party every weekend in our own prison bar. We can enjoy wonderful snacks, ice cream, beers, play cards or billiards and listen to music. If the weather is warm we can play tennis." Another prisoner spoke of "perfect" fresh food and said: "We can buy everything in the prison shop including sushi and sake." In the Netherlands[42], the economic argument deployed by both leftwing multiculturalists and free-market conservatives - that immigration revives aging populations, provides new labour resources, and generates entrepreneurial activity - "simply does not apply." There has been no overall economic benefit to population change since unskilled guest workers were invited to the Netherlands in the early 1970s. According to Paul Scheffer, a leading critic of multiculturalism and professor of urban sociology at Amsterdam University, up to 60% of first-generation Turkish and Moroccan populations are unemployed.

Andrew Bostom, editor of *The Legacy of Jihad*, quotes the observations made by Dr. Muqtedar Khan, a much-ballyhooed Muslim moderate from the U.S., after a trip to Belgium[43]. Even Khan admitted the largesse of Belgium's welfare state towards its Muslims: "...the welfare check was normally 70 percent to 80 percent of the salary. For those [Muslims] who were married with children, welfare provided comfortable living and with low property values, even those on welfare could actually own homes." American expatriate writer Bruce Bawer, living in Norway, has documented in his book *While Europe Slept* how Oslo imams preach brazenly that Muslims should expect these welfare benefits—and feel justified in supplementing them by stealing from stores—as a form of jizya extracted from their infidel "host" societies. As Bostom points out, "such attitudes, whatever their origins, raise this larger basic question: why does the West continue to validate the raw, imbalanced bigotry that denies non-Muslims any access to Mecca and Medina—upon pain of imprisonment, torture, and death—while Muslims demand and are granted the ability to settle, with generous accommodations, within Europe or America?"

Indeed, some of the Muslims are actively involved in supporting Jihad activities, verbally or physically. Mullah Krekar is convicted of terrorism in Jordan[44], he has been suspected of links to the Madrid terrorists[45], and the CIA claims he has been ordering bombings[46] in Iraq. He has lived off Norwegian welfare money in Oslo for years, and reputedly gets a lot of free taxi rides from Muslim cab drivers who think he's a great guy. Norway's most controversial refugee has lodged a threat against the country[47] that has hosted him and his family for the past 14 years. Mullah Krekar continues to fight deportation back to Iraq, and calls any such order "an offense" that should be punished. "I defend my rights in their court just like Western people defend their rights. I am patient like they are patient. But if my patience runs out, I will react like Orientals do." Asked how "Orientals" react, Krekar said: "I don't want to comment on that." Krekar has also spoken positively about terrorist leader Osama bin Laden and the recently killed Iraqi al-Qaida leader Abu Musab al-Zarqawi[48].

In Britain, the police have been investigating allegations that the four suspected London bombers[49] from July 2005 collected more than £500,000 in benefits payments. The suspects are supposed to have used multiple aliases and addresses. One, Mr Ibrahim, is said to have had six aliases. Some are also shown to have claimed several nationalities, ages and national insurance numbers while in Britain. Investigators believe that bogus names were used to make some benefit claims. Two are also alleged to have obtained asylum using bogus passports and false names and nationalities. Mr Ibrahim, alleged to be the Hackney bus bomber, is believed to have used two dates of birth, six aliases, two national insurance numbers and two addresses. Mr Osman apparently went under five names, variously claimed that he was Eritrean or Somali, and used four addresses in southwest London. Mr Omar, 24, who is linked with the attack on a Tube train near Warren Street, had five aliases.

The London Times[50] quoted a report that expressed fears that Britain was "sleepwalking its way to apartheid" due to increased ethnic segregation. The paper, which took into account the background of the four July 7 suicide bombers who attacked London, pointed to social and economic deprivation as key drivers in their conversion to terrorism, ignoring the numerous calls for violent Jihad in the Koran and the hadith. It found that the Muslim community was the most "disadvantaged" faith group in the country, with lower educational attainment and higher unemployment. The document found that the unemployment rate among Britain's 1.6m Muslims was more than three times that of the general population and was the highest of all faith groups. About half of all Muslims were economically inactive (52%). That was higher than any other religious group.

DP111, an articulate British commentator at such websites as Jihad Watch, Little Green Footballs and Fjordman blog, points out that as Muslim families are very large, a single wage earner will find it hard to support all. They will need to supplement this by getting

considerable benefits from the state. Thus at a minimum, "some 80% of the Muslim population" subsists on welfare benefits: "A considerable amount of this money to Muslims from the British taxpayer, finds its way to finance the Jihad. The same scenario must hold in all European states that have a considerable Muslim population." "We are in the ridiculous position of sheltering and feeding a population that is hell bent on destroying us. Islam's people, from the very outset, were nothing but a collective to gain plunder and loot at the expense of other people's work. In the past, it was conducted by war, conquest and then pillage. Now it is conducted by immigration (invasion), begging or crime. Meanwhile Muslim nations are given huge loans (aid), which we and they know will never be repaid. Thus, from a purely economic point of view, Islam seems to be a collective of people who live by the ethos of "beg, borrow or steal." So why do we, the capitalist countries, who do not believe in offering anyone a free lunch, subsidise the most lazy yet aggressive bunch of people on God's planet, who are bent on subverting our democratic system? The nub is, how has it come about, that the natural progression of the most advanced civilisation on earth is towards stupidity?"

He also points out that the cost of Muslim immigration is much higher than just welfare. "One really needs to factor the loss of confidence in the markets, loss of new investment because of a fear of flying or the disenchantment with intrusive security. Then there is the increased cost of insurance on all businesses." All this affects the competitiveness of business with nations that do not have a significant Islamic presence, such as Japan, Korea and Taiwan. We may be talking of million dollars or more per Muslim individual per year. "And to top it all, we give them huge amounts of aid, welfare benefits on a grand scale, while we live in fear, and our freedoms compromised."

Former Muslim Ali Sina[51] claims that even in the USA, which has a smaller Muslim population and less social security benefits than Western Europe, Muslims are a huge drain on the economy: "Because about 2 million Muslims live in America and among them there are some who are terrorists, Americans are forced to expend hundreds of billions of dollars on homeland security. I have no idea how much is the actual cost. Let us be conservative and say it costs only \$200 billion dollars per year. In reality it could be many times more. Does anyone have any idea? With just \$200 billion dollars, every Muslim, including their children cost the taxpayers \$100,000 dollars per year. This is the real "contribution" of Muslims to America Mr. President. Once you add the cost of the real damage caused in terrorist attacks, such as to planes, buildings, etc. this cost will be much higher. And here we are only talking about monetary cost. Can anyone calculate the cost that the families of the victims of terrorism pay? What is true in America is true in anywhere governments are forced to expend money to increase the security."

Bat Ye'or in her book *Eurabia - The Euro-Arab Axis* describes how we are in the middle of a total transformation of Europe, which is the result of an intentional policy. In an interview with Israeli newspaper Haaretz[52], Bat Ye'or fears that Europe will become more and more Islamised until it becomes "a political satellite of the Arab and Muslim world." "The European leaders have decided on an alliance with the Arab world, through which they have committed to accept the Arab and Muslim approach toward the United States and Israel. This is not only with respect to foreign policy, but also on issues engaging European society from within, such as immigration, the integration of the immigrants and the idea that Islam is part of Europe."

Former French PM Charles de Gaulle, disappointed by the loss of the French colonies in Africa and the Middle East, as well as with France's waning influence in the international arena, in the 1960's decided to create a strategic alliance with the Arab and Muslim world to compete with the dominance of the United States and the Soviet Union. This alliance became the position of the European Community (pre-European Union) during the course of the 1970s, when an extensive European-Arab dialogue developed. However, this alliance, in the context of which Europe allowed the immigration of millions of Muslims to

its territories and adopted an anti-Israeli and anti-American policy, will ultimately "transform Europe into a continent under the thumb of the Arab and Muslim world."

As Bat Ye'or points out, most of the workings of Eurabia are hidden from the public view, but sometimes we can catch glimpses of it if we know what to look for. Italian Leftist PM Romano Prodi, President of the European Commission, the Politburo of the EUSSR, from 1999 to 2004, wants more cooperation with Arab countries. He talks about a free trade zone with the Arab world, but this implies the four freedoms of the EU, which includes the free movement of people. This is made clear in a document from 2003[53]. This fact, and the implications of it, is virtually never mentioned in European media. During the Sixth Euro-Med Ministerial Conference in Brussels, 2003, it is stated that this initiative offers the EU's neighbouring partners "gradual integration into the expanded European internal market and the possibility of ultimately reaching the EU's four fundamental freedoms: free movement of goods, services, capital and people." Ministers were also expected to back the Commission's proposal to set up a Euro-Mediterranean Foundation for the Dialogue of Cultures, a Euro-Mediterranean Parliamentary Assembly and a reinforced European Investment Bank (EIB).

In June 2006, after his Leftist coalition government signalled that they would be much more lenient with Muslim immigration to Italy, Romano Prodi announced that "It's time to look south and relaunch a new policy of cooperation[54] for the Mediterranean." He was thinking of the Euro-Mediterranean partnership, launched in 1994 in Barcelona. Prodi said he had raised the issue with Egyptian president Hosni Mubarak, and Libyan leader Muammar Gaddafi. The prime minister then explained that the Barcelona Process – which includes the creation of a free trade zone by 2010 – was no longer sufficient and a new different approach was needed. "The countries on the southern shores of the Mediterranean expect that from us" he added.

Muslim immigration is costing enormous sums and creating havoc across Western Europe, and EU leaders are working to give Muslims easier access to Europe – because Arabs expect this from them. Thank you for pointing this out, Mr. Prodi. And thank you for removing all doubts whether the European Union needs to be dismantled[55], and its treacherous and corrupt political elites removed from power.

Source:

<http://www.jihadwatch.org/dhimmiwatch/archives/011958.php>

1. <http://www.thelocal.se/article.php?ID=1456>
2. <http://www.faithfreedom.org/oped/Fjordman60527.htm>
3. <http://fjordman.blogspot.com/2005/12/immigrant-rape-wave-in-sweden.html>
4. <http://www.aftonbladet.se/vss/nyheter/story/utskrift/0,3258,845794,00.html>
5. http://www.frisch.uio.no/sammendrag/473_eng.html
6. <http://www.brusselsjournal.com/node/227>
7. <http://www.aftenposten.no/nyheter/iriks/article1108140.ece>
8. <http://www.nrk.no/nyheter/innenriks/3946310.html>
9. <http://www.aftenposten.no/nyheter/iriks/politikk/article1348280.ece>
10. <http://dansk-svensk.blogspot.com/2005/12/velfrdskommisionen-foreslr.html>
11. <http://www.cphpost.dk/get/88766.html>
12. <http://www.aftenposten.no/english/local/article1084368.ece>
13. <http://www.aftenposten.no/english/local/article1324807.ece>
14. <http://www.aftenposten.no/english/local/article1333005.ece>
15. <http://oslopuls.no/nyheter/article1354613.ece>
16. <http://oslopuls.no/nyheter/article1354614.ece>
17. <http://www.dagbladet.no/magasinet/2006/06/15/468983.html>
18. <http://www.aftenposten.no/english/local/article1096647.ece>
19. http://www.samfunnsforskning.no/page/Publications/English_Publications_articles/7982/22736-8089.html
20. <http://www.tcsdaily.com/article.aspx?id=0614055>
21. <http://www.jp.dk/login?url=indland/artikel:aid=3595936>
22. <http://www.aftenposten.no/meninger/kronikker/article985370.ece>
23. <http://www.jihadwatch.org/archives/007569.php>
24. http://www.rights.no/hrs_publ_gen/ute_av_syne/hrs_75.60_031128_101.htm
25. <http://www.vg.no/pub/vgart.hbs?artid=230718>
26. <http://www.cphpost.dk/get/89881.html>

27. <http://www.cphpost.dk/get/91985.html>
28. <http://www.cphpost.dk/get/88579.html>
29. <http://news.bbc.co.uk/1/hi/world/europe/4865288.stm>
30. <http://www.timesonline.co.uk/article/0,,2089-2157935,00.html>
31. http://www.expatica.com/source/site_article.asp?subchannel_id=26&story_id=28932&name=Police+brought+in+as+teachers+lose+control+at+Berlin+school
<http://59.911.10.738subf36:EMlpoga918318646547HX>
32. <http://www.danielpipes.org/article/450>
33. <http://www.berlingske.dk/grid/kronikker:aid=624134>
34. <http://www.cphpost.dk/get/91517.html>
35. <http://fjordman.blogspot.com/2005/06/denmark-door-men-arm-themselves-against.html>
36. <http://www.cphpost.dk/get/91388.html>
37. <http://www.aftenposten.no/english/local/article856476.ece>
38. <http://www.dagbladet.no/nyheter/2001/07/18/269835.html>
39. <http://fjordman.blogspot.com/2005/09/sweden-steep-rise-in-crime.html>
40. <http://www.aftenbladet.se/nyheter/0003/13/dokument.html>
41. http://www.telegraph.co.uk/news/main.jhtml;jsessionid=E0BETDS1VH3GLQFIQMFCM5OAVCBQYJVC?xml=/news/2005/09/14/wpris14.xml&pos=news_puff2&_requestid=40969
42. <http://www.guardian.co.uk/religion/Story/0,2763,1485433,00.html>
43. http://www.andrewbostom.org/index.php?option=com_content&task=view&id=97&Itemid=27
44. <http://www.aftenposten.no/english/local/article811077.ece>
45. <http://www.aftenposten.no/english/local/article754830.ece>
46. <http://www.telegraph.co.uk/news/main.jhtml?xml=/news/2004/01/18/wirq18.xml&sSheet=/news/2004/01/18/ixnewstop.html>
47. <http://www.aftenposten.no/english/local/article1109447.ece>
48. <http://www.aftenposten.no/english/local/article1362852.ece>
49. <http://www.timesonline.co.uk/article/0,,22989-1723196,00.html>
50. http://www.timesonline.co.uk/article/0,,2087-1785953_1,00.html
51. <http://fjordman.blogspot.com/2005/10/ali-sina-muslims-pooh-pooh-golden-rule.html>
52. <http://www.haaretz.com/hasen/spages/728863.html>
53. http://ec.europa.eu/comm/external_relations/euromed/conf/naples/index.htm
54. http://www.adnki.com/index_2Level_English.php?cat=Politics&loid=8.0.311746780&par=0
55. <http://gatesofvienna.blogspot.com/2006/06/why-eu-needs-to-be-destroyed-and-soon.html>

Modern Jihad

Sura 9 Verse 29

Fight against those who believe not in Allah, nor in the Last Day, nor forbid that which has been forbidden by Allah and His Messenger.

... and fight against those who acknowledge not the religion of truth (i.e., Islam) among the People of the Scripture (Jews and Christians), until they pay the Jizyah (Tax for Jews/Christians) with willing submission and feel themselves subdued.

Sura 9 Verse 5

Kill the unbelievers wherever you find them. ...But if they repent and accept Islam ... then leave their way free.

2.29 Current and recent Jihads in Asia and Africa

Islam has systematically murdered more than 300 million individuals (Yes three-hundred-million), 3/4 Hindu/Buddhist, Animist/Pagan 1/4 Christian/Jewish/ Zoroastrian and enslaved more than 300 million the last 1400 years. This isnt "history", its continuing while we speak on multiple fronts around the world!

The Jihads and genocides are continuing as we speak all over the world

Asia

Jihad in Afghanistan (Muslims vs. Hindus and Sikhs)

Afghanistan ethnic cleansing in 1992. When the Islamic fundamentalist regime of the Mujahadeens came to power in 1992, tens of thousands of Hindus and Sikhs from Kabul, became refugees, and had to pay steep ransom to enter into Pakistan without a visa.

Jihad in Iran (Muslims vs. Christians and Zoroastrians)

Source:

1. <http://www.holycrime.com/CrimeFlog24.asp>
2. Mary Boyce, Zoroastrians: Their Religious Beliefs and Practices, London, 1979, 2001, and .A Persian Stronghold of Zoroastrianism (based on the Ratanbai Katrak lectures, 1975), Lanham, Maryland, 1989; During the initial jihad conquest of Persia, for example, 40,000 Zoroastrians were killed defending the royal city of Istakhr, where the religious library was housed.
3. Boyce, A Persian Stronghold of Zoroastrianism, pp. 7-8;

Jihad in Chechnya and Dagestan

In August and September of 1999, Shamil Basayev (in association with the Saudi born Khattab, Commander of the Mujahadeen) led two armies of up to 1,400 Chechen, Dagestani, Arab and Kazakh militants from Chechnya into the neighbouring Republic of Dagestan. The purpose was to help local separatist rebels who were attacking Russian Federation forces in the villages of Kadar, Karamakhi, and Chabanmakhi. By mid-September 1999, the militants were routed from the villages and pushed back into Chechnya. At least several hundred people were killed in the fighting; the Federal side reported 279 servicemen killed and approximately 900 wounded.

Source:

<http://www.ceri-sciencespo.com/publica/cemoti/textes38/roshchin.pdf>

Jihad against Armenia

Current situation:

One of the biggest problems in Armenia is maintaining a replacement birth rate. Lack of support from Europe. Pressure from Muslim Azerbaijan and Turkey.

Jihad in Turkey

Examples:

In a way, the Hellenic Genocide still didn't end, as its few survivors are persecuted right now in all territories ruled by the Turks, especially in Constantinople and Imvros. For instance, in Imvros, in 1999, a six years old Greek boy was burned alive by the Turks. The Orthodox Patriarchate, located in Constantinople, which has a similar meaning as the Vatican, is attacked often. The rights of the few survivors of the Hellenic Genocide are shamefully denied. The Treaty of Lausanne is continually disrespected. Even the frequent invasions by Turkey of the airspace and the territorial sea of Greece (which amount to hundreds every year), can be considered reflexes of its extermination policy. If for the Turkish rulers, the Greeks don't have the right to live, they don't have any rights.

Jihad in Iraq (Muslims vs. Christians and Jews)

Attacks on Churches in Iraq (2004-2008)

The first church bombing occurred on June 26, 2004, and drew little attention. Two unidentified men in a silver Opel throw a hand bomb at the Holy Spirit Church in Mosul. Five weeks later, on August 1st, 2004, coordinated bombings struck five churches, four in Baghdad and 1 in Mosul. **52 churches** have been attacked from June 26, 2004 until the January 6, 2008.

Other sources:

1. <http://www.krg.org/articles/detail.asp?smap=02010200&lngnr=12&asnr=&anr=24003&rnrr=73>
2. <http://www.danielpipes.org/article/161>

Jihad in India (Muslims vs. Hindus)

Source:

1. <http://www.rediff.com/news/1999/feb/12rajee1.htm> The Rediff Interview/ Francois Gautier
2. <http://www.geocities.com/prakashjm45/contratoihb.html>
3. http://www.geocities.com/prakashjm45/toi_gfis.html
4. <http://www.geocities.com/prakashjm45/faa.html>
5. <http://www.geocities.com/prakashjm45/contratoihb.html#omg>
6. <http://www.geocities.com/prakashjm45/>
7. <http://www.mumbai-central.com/nukkad/aug2002/msg00168.html>
<http://islamicterrorism.wordpress.com/2008/04/18/prophet-muhammad-on-holy-war-against-al-hind-india/>

Jihad in Pakistan (Muslims vs. Hindus and Christians)

Pakistan is one of just many Muslim countries in Asia who continue to systematically annihilate all non-Muslim communities. Hindu temples and churches are periodically destroyed in Pakistan.

Sources:

<http://www.unhcr.org/refworld/publisher,HRW,,PAK,3ae6a7d58,0.html>
http://india_resource.tripod.com/pakistan.html

- a. According to *Discover the Working Child*, "On some [brick-kiln] sites as many as 14 children for every 10 adults have been found working," p. 16.
- b. Human Rights Commission of Pakistan, *Bonded Labour in the Brick-kiln Industry of Pakistan*, p. 2.
- c. Religious minorities in Pakistan (Hindus, Christians, Ahmadis, and Parsis) constitute less than 5 percent of the total population.
- d. Human Rights Watch interview, Lahore, November 1993.
10. The exchange rate for Pakistani rupees [currency] at the time of publication was U.S. \$1= Rs.30.
- e. Human Rights Watch interview, brick-kiln near Kasur, October 1993.
- f. Human Rights Watch interview, Lahore, October 1993.
- g. Human Rights Watch interview, brick-kiln on the outskirts of Lahore, October 1993.
- h. Human Rights Watch interview, brick-kiln on the outskirts of Lahore, October 1993.

Jihad against Kashmiri Hindus (Genocide and demographic warfare)

Sources:

1. Bhat, A (Ed). (2003). *Kashmiri Pandits: Problems and Perspectives*. New Delhi: Rupa.
2. Evans, A. (2002, March 1). A Departure from History: Kashmiri Pandits, 1990-2001. *Contemporary South Asia*, 11(1), 19-37.
3. Pant, K. (1987). *The Kashmiri Pandit: Story of a Community in Exile in the Nineteenth and Twentieth Centuries*. Delhi: Allied.
4. Said, E. (1995). *The Politics of Dispossession: The Struggle for Self-Determination, 1969-1994*. London: Vintage.
5. Sazawal, V. (2000, April). A New Focus, a New Vision. *Koshur Samachar*, 3.
6. <http://www.iakf.org/main/index.php?module=article&view=173>
7. <http://islamicterrorism.wordpress.com/2008/06/21/190190-the-day-when-kashmiri-pandits-fled-islamic-terror/>

Jihad in Bangladesh (Muslims vs. Hindus)

Bangladesh has a population of about 120 million, nearly 88 percent of whom are Muslim.

Examples:

The HRCBM, a Santa Clara-based organisation that investigates and exposes human rights violations in Bangladesh, has recorded a few outrages against Hindus in Bangladesh during 2000:

On March 29, 2000, Malarani Roy of Karagola village was abducted by Muslims. She was brutally beaten up and gang-raped. The local police found her, but refused to register a case. On June 26, a group of Muslims directed Smriti Rani Saha of Sirajganj town to migrate to India. When she refused, she was abducted, gang-raped and brutally murdered. On May 28, Debasish Saha of Poradaha was fatally shot by a Muslim gang. On June 4, Mayaram Tripura of Balipara was shot dead by local Muslims. On October 6, 2000, Muslim devotees, after offering *namaaz* at the Gajipur Jama Masjid, strolled across to the Hindu Kali temple, destroyed the *puja pandal*, smashed the idols, and looted nearby Hindu-owned shops.

Jihad in Southern-Thailand (Muslims vs. Buddhists)

Areas: Pattani, Yala, Narathiwat and Songkhla

Jihad in Southern Philippines (Muslims vs. Christians)

Areas: Mindanao and Sulu-arkipelet, Basilan, Sulu and Tawi-Tawi.

Jihad on East-Timor (Muslims vs. Christians)

Indonesian Muslims slaughtered a third of the population of this former Portuguese colony who are Roman Catholics.

Jihad in Indonesia (Muslims vs. Christians)

In Indonesia itself we had religious conflicts in the Spice Islands where the Christian minority are in danger of extinction.

Muslims vs. backpacking tourists in Bali.

Jihad in West-China, Xinjiang (Muslims vs. Buddhists)

Uighur Islamists have waged a low-level campaign against Chinese rule for decades. Turkestan Islamic Party seek to create an Islamic republic for the Muslim Uighur people. Western media have condemned the actions of the Chinese government counter-campaigns against the "poor outnumbered rebels".

Africa

Jihad in Egypt

Jihad against Christian Copts.

Egypt also support the Jihad in Sudan. They see a Muslim Sudan not as an enemy but as an ally in the future conflict with Ethiopia

Jihad in Morocco, Algeria, Tunisia Libya[1]

In Morocco, Algeria and Libya Christianity has died out due to centuries of Genocides, persecutions and harsh forms of dhimmitude. Judaism on the other hand survived but only barely[1].

Racist Jihad is still ongoing (Arabisation). As an illustration; In Libya, there are routinely murderous riots against black Africans (in one of which a diplomat from Chad was hung from a pole in Tripoli and left dangling for the edification and delight of spectators)[2].

Source:

1. <http://www.danielpipes.org/article/161>
2. <http://www.mail-archive.com/osint@yahoogroups.com/msg31648.html>

Jihad in Kenya

<http://www.danielpipes.org/comments/118346>

Jihad in Sudan (Muslims vs. Christians and Animists)

<http://www.danielpipes.org/article/5325>

<http://www.danielpipes.org/blog/comments/109331>

http://en.wikipedia.org/wiki/Muslim_brotherhood#cite_note-59

1.5 million Christians and animists beaten, murdered, raped and starved to death by the Muslim rulers of Sudan since the 1980s.

Jihad in Nigeria

Christians are under assault in every single country where Islam is present. They have been under assault, most famously, in Nigeria, where in 1967 the Christian Ibos, far more advanced and industrious than their Muslim overlords, rebelled and declared the independence of the State of Biafra. The proximate cause were the mass murders by Muslims of Christian Ibo all over northern Nigeria. But the Western world did nothing to help the Christian Ibo, while the Muslims, including Egyptian pilots and planes that strafed Ibo villages, killing tens of thousands of helpless villagers, did provide aid. Only two countries in the world recognised Biafra: Israel and Ghana (Kwame Nkrumah, Osagyefo, if he did not always understand economics, did understand Islam). In 1969, in his famous Ahiara Declaration, the leader of Biafra, Colonel Ojukwu, explained that the main reason for the Biafran fight was to defend the Christians against, as he put it, the "jihad" being conducted against it. That jihad by the Muslims who control the military and have largely stolen the oil wealth of Nigeria (with a little help from some islamochristians willing to collaborate) continues today. Western Europe has done nothing to help the Biafrans in their fight for independence after repeated widespread jihad-massacres of Christians.

More information on the subject

Christian Ljaw and the Niger Delta conflicts:

Source:

<http://en.wikipedia.org/wiki/Ljaw>

http://en.wikipedia.org/wiki/Niger_Delta_conflicts

<http://www.mail-archive.com/osint@yahoogroups.com/msg31648.html>

Jihad in Cote d'Ivoire and Togo

The Christians are under siege in the Cote d'Ivoire and in Togo. The more advanced southerners, the Ewe tribe whose territory cuts across national borders are fleeing from the Islamic menace.

Racist Jihad against blacks in Mali and Mauretania (Arabisation)

Black Africans are enslaved in Mali and Mauritania, but not a syllable of protest has come from the Arab League about this, though both countries are members of that league.

Black non-Arab Muslims (or nominal Muslims) are being killed, their cattle destroyed, their huts and houses burned, their women raped, their men all killed. And every single person who has lived to testify has talked of how the various Arab marauders say that "they are black and must be killed." Imagine, just imagine, if there were not a hundred thousand such incidents (as have taken place in Darfur) or a million (as in the southern Sudan) but even one such event, anywhere in the Western world, by a Western government.

Then ask why there is such a different standard, such fear of telling the truth, about how Islam is a vehicle for Arab supremacist ideology, and Arabs among the supreme racists of history, who persuade those they conquer to abandon, forget, despise their own pasts, and to assume pseudo-Arab identities, and to take as their own models some Arabs who lived in 7th century Arabia.

Source:

<http://www.mail-archive.com/osint@yahoogroups.com/msg31648.html>

Jihad in Ethiopia

Christian 60.8%

Muslim 32.8% (1994 census)

Demographic warfare (growing Muslim population) and Muslim demands to change the very nature of Ethiopia.

There are also Jihads in the following countries:

- Uzbekistan
- Tajikistan
- Eritrea
- Tanzania
- Chad
- Angola
- Jordan
- United Arab Emirates
- Qatar
- Nepal
- The Maldives
- Australia
- Argentina

...and pretty much wherever Muslims believe their religion tells them to:

"Fight those who do not believe in Allah, ... nor follow the religion of truth... until they pay the tax in acknowledgment of superiority and they are in a state of subjection."

Qur'an, Sura 9:29

Various Jihadi genocides against Christians

For a complete overview and further documentation go to www.aina.org.

2.30 Overview of Jihadi terror attacks

None of the European media organisations makes any attempt to track or create overviews of Jihadi terror attacks. There is one website however who have taken such steps in cataloguing these atrocities:

From: <http://www.thereligionofpeace.com/>

Islamic Terrorists Have Carried Out More Than 13200 Deadly Terror Attacks Since 9/11. (As of May 2009).

This is just a sample time period:

List of Islamic Terror Attacks over a period of 2 Months

Time frame: 22.08.2008 – 20.10.2008

Date	Country	City	Killed	Injured	Description
10/20/2008	Afghanistan	Kunduz	7	0	Five children are among seven people blown to death by a Fedayeen suicide bomber.
10/20/2008	Somalia	Hudur	1	0	An aid worker for UNICEF is gunned down by fundamentalists.
10/20/2008	Thailand	Narathiwat	2	6	Islamists pepper a truck returning from a sporting event with machine-gun fire, killing two occupants.
10/20/2008	Afghanistan	Kabul	1	0	A female aid worker is shot to death by Sunni extremists over fears that she was sharing her Christian faith.
10/19/2008	Thailand	Pattani	1	1	Islamists murder a 1-year-old baby when they fire into his home.
10/19/2008	Thailand	Yala	1	0	A 60-year-old rubber tapper is shot to death by Muslim militants while returning from work.
10/19/2008	Pakistan	Khyber	1	1	A woman is killed when Islamic militants bomb a marketplace.
10/19/2008	Pakistan	Swat	1	0	A roadside ambush by the Taliban leaves one local soldier dead.
10/19/2008	Iraq	Baghdad	2	15	Mujahideen bombers take out two civilians.
10/19/2008	Iraq	Balad	5	3	al-Qaeda gunmen attack a family home, killing five people.
10/18/2008	Ingushetia	Muzhichi	2	5	Islamic militants ambush and kill two local soldiers.
10/18/2008	Afghanistan	Kandahar	2	0	A father and son are shot to death by Sunni radicals outside a mosque.
10/18/2008	Thailand	Pattani	1	2	Radical Muslims shoot at a family, killing the father and seriously injuring his wife and 5-year-old child.
10/18/2008	Thailand	Narathiwat	1	0	A young labourer is gunned down by Mujahideen.
10/18/2008	Iraq	Samarra	11	0	Eleven Iraqis kidnapped a year earlier by sectarian Jihadis are found in a mass grave.
10/18/2008	Iraq	Baquba	1	4	A woman is taken out by Mujahideen bombers. Four family members are badly injured.
10/17/2008	Iraq	Baghdad	3	7	Jihadis set off a bomb near a mosque, killing three civilians.
10/17/2008	Iraq	Kut	1	0	Suspected fundamentalists shoot an unmarried pregnant woman to death.
10/17/2008	India	Jaipur	0	1	A 'conservative Muslim' sets an 11-year-old girl on fire for wearing lipstick and being inappropriately dressed.
10/16/2008	Algeria	Algiers	1	0	A young boy is kidnapped and beheaded by Islamic extremists.
10/16/2008	Afghanistan	Maiwand	31	0	Thirty-one passengers on a bus are stopped by the Taliban and calmly machine-gunned and beheaded.
10/16/2008	Pakistan	Swat	5	15	A Fedayeen suicide car bomber rams into a police station, killing five Pakistanis.
10/16/2008	Afghanistan	Paktika	1	0	A radicalised policeman stages a surprise suicide ambush on a group of US soldiers, killing one.
10/16/2008	Pakistan	Miranshah	1	0	An Afghan refugee is brutally beheaded by the Taliban.
10/16/2008	Iraq	Buhriz	1	1	A 6-year-old shepherd boy is murdered by Mujahideen bombers. Another child is injured.
10/15/2008	Jordan	Amman	1	0	A Muslim man shoots his 16-year-old daughter to death over concerns that she has had sex.
10/15/2008	Iraq	Karbala	22	0	A mass grave is discovered containing the bodies of twenty-two abducted shepherds
10/15/2008	Iraq	Baghdad	7	18	A Mujahideen bomb blast and separate mortar attack on a mosque leave seven civilians dead.
10/15/2008	Afghanistan	Lashkar Gah	6	0	Six local police are taken out in a brutal Taliban ambush on their checkpoint.
10/15/2008	Pakistan	Swat	2	0	The Taliban enter a home and murder a husband and wife.
10/15/2008	Pakistan	Swat	3	0	Three people, including two brothers, are killed in two Jihad shooting attacks.
10/15/2008	Algeria	Setif	3	2	Fundamentalists murder three local guards with a bomb attack.
10/14/2008	Philippines	North Cotabato	1	0	Moro Islamists attack a Christian village, killing one civilian and driving many families from their homes.
10/14/2008	Afghanistan	Uruzgan	9	6	Two children are among nine civilians murdered when Taliban bombers target a minibus.
10/14/2008	Afghanistan	Kandahar	1	0	Religious extremists assassinate a government official who aids war widows.

10/14/2008	Pakistan	Kabal	1	0	Sunni extremists abduct, torture and behead a local soldier.
10/14/2008	India	Poonch	2	0	Mujahideen kill two local soldiers in separate ambushes.
10/14/2008	Somalia	Mogadishu	1	0	Islamists murder the driver of an aid agency.
10/13/2008	Pakistan	Darra Adam Khel	1	4	A sudden Sunni rocket attack leaves a local security staff member dead.
10/13/2008	Pakistan	Murid Wal	1	0	A young man is forced by honour to kill his mother when she refuses to break off an 'illicit' relationship.
10/13/2008	Somalia	Mogadishu	2	23	Two African Union mission members are killed when Muslim militia attack their vehicles.
10/13/2008	Afghanistan	Ghazni	6	2	Religious extremists take out six civilians with a roadside blast.
10/12/2008	Iraq	Baghdad	9	11	Nine people are blown apart by a Jihad car bomb.
10/12/2008	Iraq	Mosul	1	1	A Christian business owner is gunned down in his music store by Islamic fundamentalists.
10/12/2008	Iraq	Mosul	5	11	Mujahideen bombers kill five Iraqis.
10/12/2008	Afghanistan	Khost	2	3	A woman and child are killed when the Taliban fire a rocket into their home.
10/12/2008	Pakistan	Khyber	3	0	Three men are shot to death by suspected Islamic radicals.
10/12/2008	Somalia	Kismayo	1	0	Islamists brutally machine gun a man to death as he is being released from prison.
10/12/2008	Thailand	Pattani	1	0	Islamists shoot a man to death in front of his 8-year-old daughter.
10/11/2008	Iraq	Mosul	3	0	The bodies of three Christians are discovered following their abduction by Islamic radicals.
10/11/2008	Philippines	Sultan Kudarat	5	5	Moro Islamists attack a Christian village, killing five innocents and kidnapping two others for use as human shields.
10/11/2008	Pakistan	Mailsi	1	0	A man is tortured and murdered by his girlfriend's son over illicit relations.
10/10/2008	Afghanistan	Khost	2	3	Two people are blown up by a Taliban suicide bomber.
10/10/2008	Iraq	Mosul	2	0	Two Christians are shot to death by Islamists at a roadblock after being forced to identify themselves.
10/10/2008	Pakistan	Charbagh	1	0	Sunni hardliners burn down two girls schools and shoot a citizen to death.
10/10/2008	Iraq	Mosul	39	53	Mujahideen successfully kill about forty Iraqis with two marketplace car bombings.
10/10/2008	Iraq	Baghdad	12	26	Twelve Iraqis are murdered by Jihadi bombers at a commercial center.
10/10/2008	Pakistan	Orakzai	82	160	A Fedayeen bomber sends over eighty souls to Allah at a tribal meeting.
10/9/2008	Pakistan	Islamabad	10	21	Four schoolgirls are among ten people killed in a Mujahideen bombing.
10/9/2008	Iraq	Tal Afar	2	3	Mujahideen bomb a restaurant, killing two patrons.
10/9/2008	Iraq	Habaniya	3	8	A suicide bomber successfully takes out three Iraqis.
10/9/2008	Pakistan	Bajaur	4	0	Four tribal elders are abducted and beheaded in the name of Allah.
10/9/2008	Afghanistan	Uruzgan	6	9	Women and children are among the casualties during a shooting attack by religious extremists.
10/9/2008	Iraq	Udhaim	4	5	Two children are among four family members wiped out by Jihadi bombers.
10/8/2008	Iraq	Baquba	10	19	A female Fedayeen murders ten Iraqis outside a courthouse.
10/8/2008	Iraq	Mosul	2	0	Two more Christians are murdered by Muslim extremists in separate attacks.
10/8/2008	Lebanon	Ain al-Helweh	1	0	Suspected fundamentalists gun down a Fatah activist.
10/7/2008	Thailand	Narathiwat	1	1	Militant Muslims murder a man sitting in his pickup truck. The victim's teenage son is severely injured.
10/7/2008	Somalia	Beledweyne	1	0	Islamic militia are suspected of shooting a peaceful negotiator in the head at a marketplace.
10/7/2008	Algeria	M'sila	2	0	An army major is killed when fundamentalists booby-trap the dead body of another man kidnapped and murdered earlier.
10/7/2008	Iraq	Mosul	1	0	Islamic extremists enter a Christian pharmacy and kill the owner.
10/7/2008	Iraq	Mosul	2	0	A Christian man and his elderly father are shot to death at their workplace by Religion of Peace radicals.
10/6/2008	Somalia	Mogadishu	17	35	Children are among the seventeen civilians killed at a marketplace following an al-Shabab mortar attack.
10/6/2008	Somalia	Merka	1	2	Islamic militia attack a humanitarian vehicle, leaving one worker dead.
10/6/2008	Pakistan	Punjab	17	60	Holy Warriors strike a party held at a home. Seventeen people are blown to bits.
10/6/2008	Iraq	Mosul	1	0	A disabled Christian is abducted from his shop by Islamists and then shot to death.
10/5/2008	Egypt	al-Tayeba	1	3	A 19-year-old Christian is shot to death by a Muslim mob.
10/5/2008	Iraq	Zanjili	4	6	Terrorists attack a funeral with automatic weapons, killing four innocents.
10/5/2008	Iraq	Mosul	1	1	Fundamentalists gun down a butcher in his shop.
10/4/2008	Iraq	Mosul	4	0	Islamists enter a Christian store and murder the owner. Three tortured and executed kidnap victims are found elsewhere.
10/4/2008	Thailand	Pattani	2	0	Two local soliders are brutally executed by Muslim radicals.
10/4/2008	Somalia	Baidoa	1	0	A man strolling through a market is shot five times in the chest by Islamic militia men.
10/4/2008	Iraq	Tahrir	1	0	A 15-year-old Christian boy is shot to death by Mujahideen while standing outside his home.
10/4/2008	Somalia	Mogadishu	5	7	Five people are killed when Islamic militia lob mortars into the city airport.
10/4/2008	Ingushetia	Rostov-on-don	1	0	A cop is gunned down by religious extremists.
10/3/2008	Afghanistan	Kunar	1	4	Islamic militants gun down a civilian.
10/3/2008	Algeria	Theniet el-Had	6	0	Six local security forces are killed when armed fundamentalists open up with machine-guns on their vehicle at point-blank range.
10/2/2008	Pakistan	Charsadda	5	12	A suicide bomber invades a home, killing five people.
10/2/2008	Iraq	Baghdad	26	50	Sunni suicide bombers target two Shia mosques, slaughtering at least twenty worshippers.
10/2/2008	Iraq	Wajihya	6	3	Women and children on a mini-bus are machine-gunned to death by Freedom Fighters.
10/1/2008	Somalia	Baidoa	2	4	A child blown apart by an Islamist grenade, one of two people killed in separate attacks.

10/1/2008	Philippines	Mindanao	3	12	Moro Islamists ambush a security patrol, killing three members.
10/1/2008	Iraq	Balad	4	29	Four Iraqis are taken out by a Jihad car bomb.
10/1/2008	India	Agartala	4	76	Harkat ul-Jihad-e-Islami is suspected in serial bomb blasts at civilian bus stops that leave at least four dead.
10/1/2008	India	Doda	1	0	A shepherd is abducted by Mujahideen, who then slit his throat.
9/30/2008	Iraq	Mosul	2	0	A coffee shop employee and a woman are taken down by Mujahideen.
9/30/2008	Iraq	Baghdad	4	9	Islamists bomb a movie theatre, killing four Iraqis.
9/30/2008	Somalia	Baidoa	1	4	A child standing along a city street is killed by Mujahideen bombers.
9/30/2008	Ingushetia	Nazran	1	3	A Fedayeen suicide bomber takes out a local civilian.
9/30/2008	Thailand	Yala	2	0	Two young men in their 20's are gunned down in separate Muslim drive-by attacks.
9/30/2008	Pakistan	Sadar	1	0	A woman is sprayed with acid and then set on fire by her in-laws in an 'honour' attack.
9/29/2008	Iraq	Mosul	2	0	Two brothers are gunned down by Sunni radicals.
9/29/2008	Lebanon	Tripoli	6	30	Six people are burned to a crisp, and thirty others injured by Islamic bombers targeting local soldiers.
9/29/2008	Algeria	Bomerdas	3	4	Suicide car bombers take down three innocent people.
9/29/2008	Thailand	Narathiwat	1	0	Islamists shoot a 47-year-old man to death while he is shopping for groceries.
9/29/2008	India	Gujarat	7	82	The Religion of Peace is behind two bomb blasts in commercial districts that leave seven dead, including women shoppers.
9/29/2008	Pakistan	Chatto Chowk	1	0	Fundamentalists bomb a music shop, killing a patron.
9/28/2008	Thailand	Pattani	1	0	A 47-year-old man is murdered by Muslim terrorists.
9/28/2008	Algeria	Dellys	4	9	al-Qaeda bombers murder four in a commercial district.
9/28/2008	Somalia	Tayeglow	0	2	Two Christians are seriously injured when a Muslim mob invades their church with spears and machetes.
9/28/2008	Pakistan	Attock	3	1	Suspected Taliban abduct an engineer after murdering his three companions.
9/28/2008	Afghanistan	Kandahar	1	1	A top policewoman is gunned down by the Taliban, who also put her young son in a coma during the attack.
9/28/2008	Algeria	Tizi Wazu	2	0	Two security guards are brutally slain by Muslim fundamentalists at a fake checkpoint.
9/28/2008	Thailand	Narathiwat	1	0	A 33-year-old man is shot to death by Muslim extremists.
9/28/2008	Iraq	Baghdad	32	97	Three separate Jihad car bombings leave nearly three dozen Iraqi civilians dead.
9/28/2008	Somalia	Mogadishu	2	0	Two civilians are killed during a Mujahideen attack in a residential area.
9/28/2008	Afghanistan	Kandahar	4	0	Taliban assassins take down four Afghan bodyguards.
9/27/2008	Syria	Damascus	17	14	A suicidal Sunni bombs a Shia shrine, slaughtering seventeen innocents.
9/27/2008	Somalia	Mogadishu	9	10	Islamic militia fire mortars into an airport, killing at least nine.
9/27/2008	Pakistan	Matta	3	0	Sunni extremists kill three house servants when they blow up several homes.
9/27/2008	India	Delhi	2	25	A young boy and an old man die following a bombing by Muslim radicals at an outdoor market.
9/27/2008	Iraq	Mosul	1	0	Fundamentalists gun down a table tennis coach.
9/26/2008	Thailand	Narathiwat	1	0	Islamists shoot a 27-year-old plantation worker to death.
9/26/2008	Pakistan	Karachi	1	0	Religious extremists murder a man after handcuffing him.
9/26/2008	Pakistan	South Waziristan	1	0	A local tribesman is killed by the Taliban.
9/26/2008	Philippines	Maguindanao	1	7	A civilian is killed when Moro Islamists attack an army patrol.
9/26/2008	Pakistan	Karachi	1	0	The body of a kidnapped truck driver is found tortured and murdered by Islamists.
9/26/2008	Iraq	Baghdad	3	2	Jihadis use an IED to kill three children.
9/26/2008	Afghanistan	Khost	5	7	A Fedayeen suicide bomber murders five Afghans at a marketplace.
9/26/2008	Pakistan	Punjab	9	15	A woman and three children are among nine killed when suspected Islamists derail a train with an explosive device.
9/25/2008	Afghanistan	Kandahar	4	3	Talibanis take down four locals with two bombs.
9/25/2008	Afghanistan	Herat	11	5	Eleven guards at a construction site are murdered by religious radicals.
9/25/2008	India	Baramulla	1	0	A pro-India politician is gunned down by Mujahideen.
9/25/2008	Somalia	Wardegley	10	14	Ten civilians, including a woman and several children are killed following attacks by Islamic militia.
9/25/2008	Pakistan	Swat	2	1	Religious extremists gun down two local cops.
9/25/2008	Pakistan	Charbagh	1	0	A flour dealer is murdered near his shop by Muslim militants.
9/25/2008	Thailand	Pattani	3	1	Three civilians in their early 30's are murdered by Islamic gunmen in separate attacks.
9/25/2008	Iraq	Baghdad	1	0	Fundamentalists gun down a local homosexual rights leader inside a barber shop.
9/25/2008	Pakistan	Khyber	1	1	The Taliban shoot a man to death outside a mosque.
9/24/2008	Iraq	Diyala	35	0	al-Qaeda gunmen ambush an Iraqi security patrol, wiping out thirty-five souls.
9/24/2008	Somalia	Baidoa	4	0	Mujahideen kill four people at a market with a bomb hidden in a donkey cart.
9/24/2008	Somalia	Mogadishu	11	40	Eleven civilians are killed during an attack by Islamic militia.
9/24/2008	Pakistan	Quetta	4	10	A young girl is among four people killed by a Fedayeen suicide bomber.
9/24/2008	Afghanistan	Kabul	6	4	Six Afghan policemen are murdered in two attacks by religious extremists.
9/24/2008	Pakistan	Kot	2	10	Islamic militants blow up a girls school and kill two local soldiers in a separate incident.
9/24/2008	Thailand	Pattani	1	1	A local soldier is killed by Muslim radicals while resting under a tree.
9/24/2008	Thailand	Yala	1	0	A 30-year-old hospital gardener is murdered in cold blood by Islamic gunmen.

9/23/2008	Afghanistan	Uruzgan	6	0	A woman and a 12-year-old are among six civilians blown to bits by Taliban bombers.
9/23/2008	Iraq	Baquba	1	8	Sectarian rivals blow up the home of a recently returned family, killing one of the women.
9/22/2008	Iraq	Baghdad	3	5	Sunni militants kill three Iraqis with a bomb.
9/22/2008	Pakistan	Peshawar	1	1	Suspected Islamists shoot a driver to death, then kidnap a passenger.
9/22/2008	Somalia	Mogadishu	42	60	Over forty people, including a woman and her five children, are killed by mortar fire during two al-Shabab terrorist attacks.
9/22/2008	Pakistan	Swat	9	2	Nine local soldiers are killed by a Fedayeen suicide bomber.
9/22/2008	Thailand	Narathiwat	2	0	A Buddhist man and his teenage son are shot and beheaded by Religion of Peace militants.
9/22/2008	Afghanistan	Kandahar	2	0	Two Afghans are murdered by Taliban bombers while driving home.
9/22/2008	Iraq	Mosul	5	3	Five Iraqi children at play are murdered by a bomb planted by Freedom Fighters.
9/22/2008	Israel	Jerusalem	0	15	Fifteen Israelis are injured when an Arab driver goes on a rampage.
9/21/2008	Thailand	Yala	2	0	Two civilians are shot to death by Muslim radicals in separate attacks.
9/21/2008	Thailand	Pattani	1	0	A Buddhist market vendor is murdered by Islamic gunmen.
9/21/2008	Iraq	Mosul	6	48	A Fedayeen suicide bomber is among several Mujahideen attackers who kill six Iraqis, including a woman and two brothers.
9/21/2008	Iraq	Jalawla	3	6	Three people riding a minibus are murdered by Sunni roadside bombers.
9/21/2008	Iraq	Kirkuk	3	23	Jihadis take down three Iraqis with a truck bomb.
9/21/2008	Thailand	Pattani	1	0	A 60-year-old rubber worker is shot off his motorcycle by Mujahideen.
9/20/2008	Pakistan	Islamabad	53	257	Over fifty people are burned or blasted to death when Mujahideen attack a Marriott hotel.
9/20/2008	Pakistan	Jamrud	1	1	A truck driver is shot to death by religious militants.
9/20/2008	Pakistan	North Waziristan	6	5	Six locals are blown to bits by a Fedayeen suicide bomber.
9/20/2008	Mauritania	Tourine	12	0	Twelve local soldiers are kidnapped and beheaded by al-Qaeda.
9/20/2008	Iraq	Tal Afar	6	23	Three women are among six Iraqis murdered by Muslim terrorists in separate attacks.
9/20/2008	Philippines	Maguindanao	1	4	Moro Islamists ambush and kill a pro-government tribesman.
9/19/2008	Somalia	Mogadishu	12	35	al-Shabaab Islamists rain down mortars on a city airport, killing a dozen civilians.
9/19/2008	Thailand	Narathiwat	1	0	A teenager is taken down in a drive-by shooting by Islamic radicals.
9/19/2008	Pakistan	Quetta	8	9	Eight students at a religious school are blown to bits by a suicide bomber.
9/19/2008	Iraq	Tuz Khormato	1	0	A woman is shot to death by Muslim terrorists.
9/19/2008	Pakistan	Swat	2	0	Islamic militants attack a bank vehicle, killing two occupants.
9/19/2008	Iraq	Basra	1	0	A Shia cleric is assassinated by Sunni extremists.
9/19/2008	Afghanistan	Paktika	4	2	A child is among four civilians working in a field killed by a Jihadi rocket attack.
9/18/2008	UK	Crawley	0	1	A man shouts about the Qur'an as he stabs a non-Muslim woman in the head.
9/18/2008	Afghanistan	Khost	3	0	Three Afghans are taken down by a Taliban ambush.
9/18/2008	Iraq	Mosul	2	0	Two family members are killed when sectarian gunmen storm their home.
9/17/2008	Thailand	Yala	2	0	A father and son are brutally gunned down by Religion of Peace militants.
9/17/2008	Ingushetia	Magas	4	0	Four local security personnel are ambushed and killed by Muslim radicals.
9/17/2008	India	Srinagar	0	15	Fifteen pedestrians are injured when Islamic terrorists toss a grenade into the street outside a shopping center.
9/17/2008	Iraq	Baghdad	18	79	Eighteen Iraqis are killed in a series of Mujahideen bombing and shooting attacks.
9/17/2008	Pakistan	Khyber	1	0	The Taliban abduct and murder an Afghan refugee.
9/17/2008	Philippines	Mindanao	1	7	Moro Islamists attack a group of local soldiers, killing one.
9/17/2008	Yemen	Sanaa	10	13	Women and children are among the casualties when al-Qaeda militants stage a coordinated attack on the US embassy.
9/17/2008	Pakistan	Dera Ismail Khan	1	7	A woman is murdered by Islamic bombers in a residential area.
9/16/2008	Iraq	Khanqin	4	3	Four local police are murdered by Jihadi bombers.
9/16/2008	Iraq	Taji	2	16	Mujahideen manage to kill two civilians with a bicycle bomb placed in a marketplace.
9/16/2008	Pal. Auth.	Gaza	1	0	Hamas gunmen attack a family home, killing a baby girl.
9/16/2008	Thailand	Pattani	1	0	Muslim radicals murder a 50-year-old civilian outside his home.
9/16/2008	Pakistan	Swat	3	6	Talibanis attack a schoolhouse, killing three guards.
9/16/2008	Lebanon	Ain el-Helweh	4	0	Four people are killed when Sunnis and Shia clash over their differences.
9/16/2008	Thailand	Narathiwat	3	0	A man sweeping the curb outside his home is among two people shot to death by Islamists.
9/15/2008	Somalia	Mogadishu	4	0	Four African Union soldiers are murdered by Islamic militia bombers.
9/15/2008	Iraq	Balad Ruz	22	33	A female suicide bomber sends twenty-two others to Allah with a blast in a residential area.
9/15/2008	Thailand	Narathiwat	1	0	A young hospital worker is murdered by Religion of Peace gunmen.
9/15/2008	Iraq	Baghdad	13	35	Jihadis successfully kill thirteen Iraqis with a pair of strategically placed bombs.
9/15/2008	Thailand	Pattani	1	0	An 80-year-old man is murdered by Islamic gunmen.
9/15/2008	Mauritania	Tourine	12	4	al-Qaeda militants rake a security patrol with machine-gun fire, killing a dozen local men.
9/14/2008	Afghanistan	Ghazni	6	12	Six children are blown to bits by Taliban bombers.
9/14/2008	Pakistan	North Waziristan	1	0	A 70-year-old man is stabbed to death in the neck by Sunni extremists.
9/14/2008	Thailand	Pattani	1	0	A 41-year-old labourer is shot by Islamists while riding his motorcycle home.

9/14/2008	Afghanistan	Kandahar	3	16	Two doctors and their drivers are murdered by fundamentalist bombers while delivering vaccine to children.
9/14/2008	Iraq	Mosul	2	0	Two brothers are shot to death by sectarian rivals.
9/14/2008	Afghanistan	Ghazni	7	0	Religious extremists murder seven Afghan security patrol members riding in a pickup truck.
9/14/2008	Iraq	Saidiya	7	6	Jihadi bombers take down seven Iraqis with a series of blasts.
9/14/2008	Pakistan	Esha	1	0	A 55-year-old refugee is kidnapped and severely tortured before being shot to death by Religion of Peace militants.
9/14/2008	Kenya	Garissa	0	10	A Muslim mob storms a church during a service, pelting worshippers with stones and injuring ten.
9/14/2008	Somalia	Mogadishu	3	0	Islamic hardliners celebrate Ramadan by killing a Ugandan peacekeeper and two others.
9/14/2008	India	Poonch	4	0	Four local security personnel are killed in a Mujahideen ambush.
9/14/2008	Russia	Karachayev-Cherk.	1	2	A local cop is gunned down outside his home by Muslim terrorists.
9/14/2008	Pakistan	Lahore	1	0	A pregnant woman is burned alive by her husband, allegedly because she wanted to leave him.
9/13/2008	Iraq	Mosul	2	0	Fundamentalists storm a home and kill a man and woman who may have been co-habiting.
9/13/2008	Afghanistan	Logar	4	0	The Taliban murder a local governor with a bomb attack on his vehicle.
9/13/2008	Israel	Yitzhar	0	1	A Palestinian terrorist stabs a 9-year-old Israeli boy five times, then throws him from a balcony.
9/13/2008	India	New Delhi	30	90	Islamists detonate bombs at five marketplaces within a 30-minute span, massacring dozens of innocent people explicitly in the name of Allah.
9/13/2008	Iraq	Mosul	4	0	Four members of a charity-TV crew are kidnapped and senselessly executed by Islamic terrorists.
9/13/2008	Pakistan	Lahore	1	0	A man shoots his teenage daughter to death over a relationship with a non-Muslim boy.
9/13/2008	Pakistan	Kurram	2	8	At least two people are killed when Sunnis and Shias work out their differences.
9/13/2008	Pakistan	Zabul	0	1	Talibanis drag a teacher out of a mosque and cut off his ears.
9/13/2008	Iraq	Baghdad	4	9	Four Iraqis are killed in a roadside bombing attack by Jihadis.
9/12/2008	Afghanistan	Farah	8	0	Eight people are blasted to death at point-blank range with automatic weapons during a Taliban ambush.
9/12/2008	Iraq	Dujail	31	60	Over thirty Shias are blown to Allah by bombs detonated by radical Sunnis at a marketplace.
9/12/2008	Iraq	Sinjar	3	15	Sunnis bomb a Shia mosque, killing three attendees.
9/11/2008	Iraq	Saidiya	5	2	Five members of the same family are murdered in their home by Mujahideen.
9/11/2008	Iraq	Baghdad	3	3	Jihadis bomb a minibus carrying civil servants, killing at least three.
9/11/2008	Afghanistan	Nimroz	2	0	Two civilians are murdered by a Fedayeen suicide bomber.
9/11/2008	Pakistan	Orakzai	2	0	Talibanis abduct and slit the throats of two local soldiers, then cut off their heads.
9/11/2008	Afghanistan	Kandahar	2	4	A suicide bomber takes out two Afghan civilians, including a young boy on his way to school.
9/11/2008	Iraq	Mosul	5	7	A family of three is among five civilians taken down by Islamic terrorists.
9/11/2008	Thailand	Pattani	2	0	A young Buddhist man is among two civilians killed in separate attacks by Muslim militants.
9/11/2008	Pakistan	Swat	8	0	A 9-year-old girl, brutally gunned down by Jihadis, is among eight people murdered in two attacks.
9/11/2008	India	Doda	0	1	A farmer is pulled from his home by the Mujahideen, who then hack off his ears.
9/11/2008	Thailand	Narathiwat	1	0	Islamists gun down a 45-year-old man in a drive-by shooting.
9/11/2008	Iraq	Khalis	2	0	A man and his son are shot to death inside their home by Sunni militants.
9/10/2008	Pakistan	Bajaur	3	0	Sunni fundamentalists kidnap three civilians, then shoot them in the neck.
9/10/2008	Sudan	Zamzam	5	24	Janjiweed militia attack a displaced persons camp, killing five refugees.
9/10/2008	Somalia	Mogadishu	4	0	At least four civilians are killed when dozens of militants screaming 'Allah Akbar' attack an Ethiopian patrol.
9/10/2008	Iraq	Mosul	1	0	A Christian man is shot to death by Muslim fundamentalists.
9/10/2008	Pakistan	Dir	25	50	Twenty-five people are killed when rival Islamists hurl grenades into a mosque.
9/9/2008	Pakistan	Sindh	4	0	Religious radicals gun down a man, his two wives and young grandson in their home.
9/9/2008	Thailand	Yala	1	1	A local soldier is killed when Islamists fire rockets into their base.
9/9/2008	Thailand	Pattani	1	0	A Buddhist is shot and beheaded by Religion of Peace militants.
9/9/2008	Pakistan	Swat	5	1	Five civilians are murdered by the Taliban in two targeted attacks.
9/9/2008	Iraq	Mosul	1	0	A humanitarian agency worker is gunned down by Muslim terrorists.
9/9/2008	Sudan	Bere	6	0	Six villagers are killed during an attack by Janjiweed militia.
9/8/2008	Afghanistan	Zabul	6	2	The Taliban take out six civilians with a landmine.
9/8/2008	Iraq	Mosul	3	0	Mujahideen kill a woman and two children by bombing their home.
9/8/2008	Iraq	Bani Saad	2	1	Jihad gunmen murder a married couple and injure their young son.
9/8/2008	Iraq	Baiji	2	4	Car bombers take out two Iraqis.
9/8/2008	Pakistan	Sindh	1	0	The local leader of a minority sect is murdered by Islamic hardliners.
9/8/2008	Somalia	Mogadishu	4	2	Children are among those killed when Islamic militia stage a terror attack along a public street.
9/8/2008	India	Doda	1	0	A civilian is shot to death by Hizb-ul-Mujahideen.
9/7/2008	India	Ramban	1	2	Muslim militants attack and kill a member of a search party.
9/7/2008	Pakistan	Kurram	3	12	Three children are killed when Sunnis and Shia clash settle sectarian differences by targeting homes with heavy weapons.
9/7/2008	Afghanistan	Kandahar	8	23	Eight Afghans are blown to bits by a pair of Fedayeen suicide bombers.
9/7/2008	Pakistan	Swat	2	0	Mujahideen shoot two civilians to death.
9/7/2008	Pakistan	Zila Mir Pur Khas	1	0	Islamic extremists gun down a Ahmadiyya doctor for worshipping the wrong god.

9/7/2008	Pakistan	Waris Khan	2	0	A man shoots his daughter and her lover to death over their relationship.
9/7/2008	Somalia	Beletwein	5	5	Five civilians are taken down during an ambush by Islamic militia.
9/6/2008	Afghanistan	Nimroz	6	1	A suicide bomber pretending to be a beggar murders six office workers.
9/6/2008	Afghanistan	Nimruz	2	7	Religious extremists attack a police post, killing two officers.
9/6/2008	Pakistan	Peshawar	16	80	Sixteen people are blown up by suicide car bombers.
9/6/2008	Pakistan	Peshawar	35	91	Over thirty people are massacred by Fedayeen suicide bombers in a brutal attack along a city street.
9/6/2008	Iraq	Buhriz	2	3	Two people are blown apart by Sunni bombers.
9/6/2008	Iraq	Tal Afar	6	54	Fedayeen suicide bombers take out six innocents, and injure nearly sixty more, with an attack on an outdoor market.
9/6/2008	Somalia	Mogadishu	1	0	Mujahideen gun down a businessman in his store.
9/5/2008	Thailand	Pattani	2	0	Two Buddhists are shot to death by militant Muslims in separate drive-by attacks.
9/5/2008	Thailand	Yala	1	0	A man mourning beside his brother's grave at a cemetery is murdered by Muslim extremists.
9/5/2008	Iraq	Baghdad	6	17	Six people are killed by Jihadi bombers.
9/4/2008	Iraq	Mosul	4	0	A 12-year-old child and a woman are among four Iraqis murdered by Sunni terrorists.
9/4/2008	Thailand	Narathiwat	1	0	Islamists gun down an orchard worker.
9/3/2008	Somalia	Mogadishu	2	4	Two civilians are killed during an ambush by Islamic militia.
9/3/2008	Pakistan	Sahiwal	1	0	A 17-year-old girl is shot to death by her father and brother for seeking a divorce after being forcibly married at 9.
9/2/2008	Iraq	Baghdad	4	23	Four Iraqis are killed in a couple of Jihad roadside attacks.
9/2/2008	Iraq	Mosul	7	7	Children are among the victims of a Fedayeen suicide car bombing.
9/2/2008	Iraq	Kirkuk	1	2	A 9-year-old boy is murdered by Islamic bombers.
9/2/2008	Pakistan	Swat	2	0	A retired schoolteacher is among two people murdered by the Mujahideen.
9/2/2008	Iraq	Mosul	1	0	Islamic fundamentalists abduct and murder a 65-year-old Christian doctor.
9/2/2008	Dagestan	Makhachkala	1	0	An anti-Islamist journalist is assassinated by suspected extremists.
9/2/2008	India	Pulwama	1	2	An off-duty soldier is brutally cut down by Islamists while shopping at a vegetable market.
9/1/2008	Somalia	Mogadishu	1	0	A civilian is killed during a Mujahideen ambush along a city street.
9/1/2008	Afghanistan	Kunduz	1	0	A civilian is blown to bits by a suicide bomber.
9/1/2008	Philippines	Digos	6	32	Islamic bombers are suspected in a blast that rips nails through a passenger bus, leaving six dead.
9/1/2008	Thailand	Yala	1	0	A 61-year-old man is shot to death by militant Muslims while driving home.
9/1/2008	Thailand	Pattani	2	0	A Buddhist woman is among two people murdered in separate shooting attacks by Muslim radicals.
9/1/2008	Iraq	Othmaniyah	3	0	Sunni bombers kill three farmers with a device hidden in a water pump.
9/1/2008	Iraq	Kirkuk	1	2	An Iraqi child is taken down by Islamic bombers.
9/1/2008	Thailand	Yala	1	0	A teacher is brutally gunned down in front of his wife by Religion of Peace warriors.
9/1/2008	Afghanistan	Khost	2	2	The Taliban take down two local cops with a roadside bomb.
9/1/2008	Afghanistan	Kandahar	1	0	A taxi driver is murdered by Sunni extremists.
9/1/2008	Afghanistan	Wardak	3	0	Three security guards are killed by religious radicals in an ambush.
9/1/2008	Pakistan	Kohat	7	0	Religious extremists take out seven security personnel in a surprise ambush.
8/31/2008	Iraq	Mosul	1	0	A Christian man is kidnapped and murdered by Islamic fundamentalists.
8/31/2008	Thailand	Pattani	2	0	Muslim extremists gun down a 43-year-old man, and a 50-year-old in separate attacks.
8/30/2008	Chechnya	Vedeno	2	11	A Fedayeen suicide attack is one of two bombings that leave two people dead.
8/30/2008	Iraq	Iskandariya	2	0	Two civilians are murdered by Jihadis, one of whom is decapitated.
8/30/2008	Pakistan	Swat	2	0	A civilian and a cop are murdered by Mujahideen in separate attacks.
8/30/2008	Philippines	Sulu	4	10	Four local soldiers are killed in a brutal ambush by Islamic extremists.
8/30/2008	Pakistan	Kurram	19	70	Nineteen tribesmen are killed in a series of Taliban suicide attacks and ambushes.
8/30/2008	Angola	Andulo	1	40	A young girl is decapitated by Muslims rampaging through a Christian community on a church-burning spree. (Reported)
8/30/2008	Iraq	al-Ahbash	4	0	A husband, wife and their two children are slaughtered in their home by al-Qaeda militants.
8/29/2008	Dagestan	Makhachkala	1	0	A local cop is gunned down by Islamic militants.
8/29/2008	Somalia	Kismayo	2	1	Two brothers are gunned down by armed Islamists.
8/29/2008	Somalia	Mogadishu	1	0	A civilian is killed during an attack by Islamic militia.
8/29/2008	Algeria	Batna	7	14	Islamic fundamentalists kill seven Algerians in a highway attack.
8/29/2008	Pakistan	Kohat Tunnel	5	37	Fedayeen suicide car bombers murder five innocents.
8/28/2008	Iraq	Baghdad	2	0	A man and his wife are gunned down by Islamic terrorists.
8/28/2008	Pakistan	Swat	2	0	Two civilians are beheaded by religious radicals.
8/28/2008	Pakistan	Koza Bandai	1	0	The Taliban abduct and murder a civilian.
8/28/2008	Lebanon	Sejoud	1	0	Hezbollah gunmen fire on a helicopter, killing a Lebanese officer.
8/28/2008	Pakistan	Bannu	10	16	Islamic bombers target a bus carrying prisoners, leaving at least ten dead.
8/28/2008	China	Xinjiang	2	7	Knife-wielding Muslims set upon a group of police, stabbing at least two to death.
8/27/2008	Pakistan	Wana	2	11	A Taliban ambush leaves two local soldiers dead.
8/27/2008	Somalia	Mogadishu	2	0	Two civilians are killed in a sudden attack by Islamic militia.

8/27/2008	India	Jammu	6	0	Lashkar-e-Toiba shoot six civilians to death, including a cab driver and his passengers.
8/27/2008	Afghanistan	Nangarhar	1	0	A Japanese humanitarian worker on an irrigation project is kidnapped and murdered by the Taliban.
8/27/2008	Thailand	Pattani	2	0	A young man and woman are shot to death in separate attacks by radical Islamists.
8/27/2008	Thailand	Yala	1	0	A 51-year-old electrical worker is shot to death by Mujahid.
8/27/2008	Thailand	Narathiwat	1	0	Muslim gunmen murder a government social worker.
8/26/2008	Iraq	Jalawla	28	45	A suicide bomber calmly walks up and murders over twenty-five police recruits waiting outside a station.
8/26/2008	Iraq	Mandali	5	0	A family of five is taken out by Jihadi roadside bombers as they are traveling to a religious shrine.
8/26/2008	Pakistan	Islamabad	8	20	Sunni radicals manage to kill eight patrons at a cafe with a planted bomb.
8/26/2008	India	Kupwara	1	1	A local soldier is shot to death in an ambush by Islamic militants.
8/26/2008	Somalia	Baidoa	2	1	Two people are killed in a Mujahideen grenade attack on their home.
8/25/2008	Pakistan	Shakardara	2	0	Two tribesmen are killed and several girls schools are blown up during a rampage by Islamic hardliners.
8/25/2008	Philippines	Maguindanao	1	0	A soldier is kidnapped, bound, tortured and brutally executed.
8/25/2008	Iraq	Mussayab	1	2	Jihadis kill a soldier's daughter and injure his two sons with a bomb near his home.
8/25/2008	Sudan	Darfur	32	135	Women and children are among the thirty-two bodies counted following a government attack on a civilian refugee camp.
8/25/2008	Pakistan	Swat	10	2	Ten occupants of a home are killed when Talibanis fire rockets into it.
8/24/2008	Iraq	Baghdad	30	42	Thirty people attending a celebration are blown apart by a Fedayeen suicide bomber.
8/24/2008	Iraq	Baghdad	9	32	Nine civilians are murdered in three separate Jihad bombings.
8/24/2008	Pakistan	Matta	4	0	Islamists kidnap and bind four civilians, then shoot them to death.
8/23/2008	Pakistan	North Waziristan	2	0	Two civilians are kidnapped and shot to death by Sunni radicals.
8/23/2008	Chechnya	Agishty	2	2	Jihad warriors take out two Russians with a roadside bomb.
8/23/2008	Iraq	Kirkuk	5	8	Five people are killed when Fedayeen suicide bombers strike an auto dealership.
8/23/2008	Pakistan	Swat	15	23	A Holy Warrior sends over a dozen innocents to Allah with a car bomb.
8/23/2008	Pakistan	Abuha	2	4	Two people are killed when Islamists detonate a bomb at an intersection.
8/23/2008	Pakistan	Kurram	4	7	Four people are killed in a sectarian clash.
8/22/2008	Pakistan	Peshawar	1	2	Taliban militants fire rockets into a police station, killing one officer.
8/22/2008	Pakistan	NWFP	2	14	Two security force personnel are killed when Mujahideen attack their vehicle with a grenade.
8/22/2008	India	Ganderbal	1	1	A local soldier is shot to death by Islamic militants while standing guard.

The website lists an overview of Jihadi terror acts since 2001.

Unfortunately, this is only the top of the ice berg. There are hundreds more attacks occurring every single day, across the world, which are not documented. This includes Europeans slain by Muslims living in Europe. There is no website as far as we know who catalogue these atrocities.

Rough estimates of non-Muslims (primarily native Europeans) slain by Muslims living in Europe since 1960:

10 000 – 20 000

See book 3, "charges" for more estimates.

2.31 Muslim Persecution of Christians

By Robert Spencer

"Get out your weapons," commanded Jaffar Umar Thalib, a 40-year-old Muslim cleric, over Indonesian radio in May 2002. "Fight to the last drop of blood." [1]

The target of this Jihad was Indonesian Christians. Christians, Jaffar explained, were "belligerent infidels" (kafir harbi) and entitled to no mercy. This designation was not merely a stylistic flourish on Jaffar's part. On the contrary, kafir harbi is a category of infidel that is clearly delineated in Islamic theology. By using this term, Jaffar was not only inciting his followers to violence, but telling them that their actions were theologically sanctioned.

Jaffar's words had consequences. The death toll among Indonesian Christians in the chaos that followed was estimated to be as high as 10,000, with countless thousands more left homeless. [2] Journalist Rod Dreher reported in 2002 that Jaffar Umar Thalib's jihadist group, Laskar Jihad, had also "forcibly converted thousands more, and demolished hundreds of churches." [3]

What happened in Indonesia was treated by the international press as an isolated incident. In fact, however, the violent jihad there was part of the ongoing persecution of Christians by Muslims throughout the Islamic world. This violence, reminiscent of barbarous religious conflicts of seven hundred years ago, is the dirty little secret of contemporary religion. Fearful of offending Muslim sensibilities, the international community has averted its gaze, allowing the persecution to take place in the darkness. Nowhere else is religious bigotry legitimated by holy writ, in this case the Quran, or by a significant number of religious leaders, in this case imams. Nowhere else does religious bigotry have such bloody consequences. Nowhere else does such religious bigotry take place almost entirely without comment, let alone condemnation, from the human rights community.

Christian persecution by Muslims has become a familiar narrative, repeated with terrifying frequency in Muslim controlled areas throughout the world, but especially in the Middle East.

Murdered Christian Clergy in Iraq

On April 5, 2008, Youssef Adel, an Assyrian Orthodox priest at St. Peter and Paul church in Baghdad, was killed in a drive-by shooting as he was opening the gate of his house. [4] This attack came just weeks after the death of Archbishop Paulos Faraj Rahho of the Chaldean Catholic Church, who was kidnapped in the Iraqi city of Mosul on February 29 while three Christians with him were also killed. On March 12, the kidnappers phoned a church in Mosul to announce that Archbishop Rahho was dead, and indicate where the body could be found. [5]

While mosques proliferate throughout the west, Christian clergymen have become an endangered species in Iraq. In October 2006, a Syrian Orthodox priest, Fr. Boulos Iskander, went shopping for auto parts in the Iraqi city of Mosul. He was never seen alive again. A Muslim group kidnapped him and initially demanded \$350,000 in ransom; they eventually lowered this to \$40,000, but added a new demand: Fr. Boulos' parish had to denounce the mildly critical remarks about Islam made the previous month by Pope Benedict in an address in Regensburg, Germany, that had caused rioting all over the Islamic world. The ransom was paid, and the church dutifully posted thirty large signs all over Mosul

denouncing the Pope's statements. All to no avail: when Fr. Boulos' remains were discovered, he had not only been murdered but dismembered.

Five hundred Christians attended the funeral. Looking at the crowd, another priest commented: "Many more wanted to come to the funeral, but they were afraid. We are in very bad circumstances now." [6]

There is no doubt of that. The murders of these three clergymen took place against a backdrop of increasing danger for Christians in Iraq. In March 2007, Islamic gangs knocked on doors in Christian neighbourhoods in Baghdad, demanding payment of the Jizya, the religion-based tax assessed by Islamic law against Christians, Jews, and other non Muslim groups who live in Muslim lands. [7] Meanwhile, Christian women throughout the country are threatened with kidnapping or death if they do not wear a headscarf. In accord with traditional Islamic legal restrictions on Christians "openly displaying wine or pork" (in the words of a legal manual endorsed by Cairo's venerable Al-Azhar University), liquor store owners in Iraq have likewise been threatened. [8] Many businesses have been destroyed, and the owners have fled.

In fact, half of the nation's prewar 700,000 Christians have fled the country since 2003. The difference in the violence they face is one of degrees. Even in the relatively secular Iraq of Saddam Hussein, where the notorious Deputy Prime Minister Tariq Aziz was a Chaldean Catholic Christian, the small Christian community faced random violence from the Muslim majority. Aside from outbreaks of actual persecution, including murder, Christians were routinely pressured to renounce their religion and to marry Muslims. [9] Iraqi Christians today are streaming into Syria, or, if they can, out of the Middle East altogether. An Iraqi businessman now living in Syria lamented that "now at least 75% of my Christian friends have fled. There is no future for us in Iraq." [10]

Coptic Christians victimised in Egypt

In Egypt, Coptic Christians have suffered discrimination and harassment for centuries. Rather than being mitigated by the growing tolerance and interconnection of the global community, the jeopardy of Christians is increasing today, with mob attacks on churches and on individual Christians becoming more frequent. In February 2007, rumours that a Coptic Christian man was having an affair with a Muslim woman – a violation of Islamic law – led to a rampage that resulted in the destruction of several Christian-owned shops in southern Egypt. [11] And besides physical attacks, Christians have been restricted from speaking freely. In August 2007, two Coptic rights activists were arrested for "publishing articles and declarations that are damaging to Islam and insulting to Prophet Mohammed on the United Copts web site." [12]

Mistreatment of Christians in Egypt frequently meets with indifference – or worse yet, complicity -- from Egyptian authorities. In June 2007, rioters in Alexandria vandalised Christian shops, attacked and injured seven Christians, and damaged two Coptic churches. Police allowed the mob to roam free in Alexandria's Christian quarter for an hour and a half before intervening. The Compass Direct News service, which tracks incidents of Christian persecution, noted: "In April 2006, Alexandria was the scene of three knife attacks on churches that killed one Christian and left a dozen more injured. The government appeared unable or unwilling to halt subsequent vandalism of Coptic-owned shops and churches..." [13]

The ordeal of Suhir Shihata Gouda exemplifies the experience of many Egyptian Christians, and principally of Christian women, who are frequently victimised by Muslim men. [14] According to the Jubilee Campaign, which records incidences of Christian persecution:

[A Christian woman named Suhir] was kidnapped on February 25th [1999] by a group of Muslims who forced her to marry a Muslim man, Saed Sadek Mahmoud. After Suhir failed to return home from school, her distraught father rushed to Abu-Tisht police station to report the incident, but instead of assisting him, a police officer began assaulting Suhir's father...beating and cursing him. Three days later, Suhir's father and brother returned to the police station to ask for help and they were subjected to the same abuse, as a result of which the father had to be admitted to hospital for treatment.

Suhir herself managed to escape, but was recaptured "and beaten for running away and is currently under heavy guard." Her Muslim "husband" accompanied a mob to her father's house where they threatened to kill all the Christian men in Suhir's home village, and carry off all the women, if her family took legal action.[15]

Bishop Wissa of Egypt's Coptic Orthodox Church painted a grim picture in an interview with the Protestant organisation Prayer for the Persecuted Church in May 2000:

One man in his 20s was in the field working when he was approached by armed Muslims. He was asked to renounce Christianity and to verbally say the two statements of faith that would convert him to Islam. When he refused and did the sign of the cross, he was shot in the head and killed. Another young man had a tattoo on his arm of St. George and the Virgin Mary. They also asked him to renounce his faith. When he refused, they cut off his arm that had the Christian tattoos and chopped it up. They finished him off with their daggers and then burned his body.

A 17-year-old boy, who is a deacon at the church, was going to look for his sister in the fields. He too was asked to renounce his faith, and when he refused, he was shot. After they killed him, they asked the young girl to lay next to her brother and they killed her right there.

The Egyptian government, caught between the demands of Sharia and its secular laws, couldn't entirely ignore these acts of murder. It compensated each of the families of these victims, albeit in a manner that only underscored the relatively cheapness of a Christian life: each family received eight hundred dollars. And this was only because of the notoriety of the cases. The families of other victims, however, get neither recompense nor justice. One man's son was on his way to school when Islamic militants stopped the school bus on which he was riding and ordered the Christians to separate from the Muslims. They demanded that the boy renounce his faith. When he refused, says Bishop Wissa, "they killed him with an axe, and then they drove over his body with their car." Authorities called the death a vehicular accident, and denied the father compensation — just as they did previously when Muslim militants destroyed his shop.[16]

Jihadist Aggression against Christians in Pakistan

In Pakistan the situation for Christians is no better. Fr. Emmanuel Asi, chairman of the Theological Institute for Laity in Lahore and secretary of the Catholic Bible Commission of Pakistan, said in August 2007 that Pakistani Christians are frequently denied equality of rights with Muslims and subjected to various forms of discrimination. Jihadist aggression, he said, can "at any time" bring "every imaginable kind of problem" upon Pakistan's Christians.[17]

As in Egypt, Christians in Pakistan have been subjected to mob violence and threats. In August 2007, Christians (as well as Hindus) in Peshawar in northern Pakistan received

letters from a jihadist group ordering them to convert to Islam in a matter of days or "your colony will be ruined." The deadline passed, but according to Compass Direct, the Christians continued "to live in fear, canceling church activities and skipping services." [18] They had good reason to be worried, since jihadists had made good their promises to attack Pakistani churches in the past. In an attack in a Peshawar church on October 28, 2001, for instance, eighteen Christians were murdered during the Sunday morning worship service. [19] In another church attack on March 17, 2002, five Christians were killed and forty wounded. The entire Pakistani Christian community lived under the shadow of an al-Qaeda threat to kill "two Christians in retaliation for every Muslim killed in the U.S. military strikes in Afghanistan." [20]

In addition to group attacks, there is also individual harassment. Pakistani Christian schoolteacher Cadherine Shaheen was "pressured to convert to Islam." When she resisted, she was finally told that if she did not capitulate she would face serious consequences. Soon she was accused of blasphemy. All the area mosques posted copies a poster bearing her name and picture. "This was a death sentence for me," says Shaheen. "It's considered an honour for one of the Muslim men to kill a blasphemer. Just before me, the Muslims murdered a school principal accused of blasphemy. I was next."

Shaheen went underground, where upon Pakistani police arrested her father and brothers. Her father, age 85, soon died. Cadherine made her way to the United States. "It's horrible for Christians in Pakistan," she now says. "The Muslims take our land, rob our homes, try to force us to accept Islam. Young girls are kidnapped and raped. Then they're told that if they want a husband who will accept them after that defilement, they must become Muslim." [21]

Religious Cleansing Elsewhere in the Islamic world

The same dispiriting story is repeated all over the Muslim world. In June 2007 Christians in Gaza appealed to the international community for protection after jihadists destroyed a church and a school. [22] In Sudan, the Khartoum regime has for years waged a bloody jihad against the Christians in the southern part of the country, killing two million Sudanese Christians and displacing five million more. [23] In Spring 2003 jihadists burned to death a Sudanese Christian pastor and his family while carrying out an unprovoked massacre of 59 villagers. [24]

In Nigeria, Muslim mobs have torched churches, enforced Sharia codes on Christians, and even horse-whipped female Christian college students whom they deemed improperly dressed. [25] Over 2,000 people were killed in 2001 in Muslim instigated riots in the city of Jos. All over Nigeria, Islamic jihadists continue to try to impose the Sharia over the whole country, despite its sizable Christian population. A report warned that in Jos, "the conflict could recur, since Muslim militants are still bent on attacking Christians." [26]

Even in Lebanon, traditionally the Middle East's sole Christian land, Christians suffer persecution -- marked most notably by an ongoing series of assassinations of Christian political leaders, including the bombing in a Christian suburb of Beirut in September 2007 that killed Antoine Ghanem of the Christian Phalange party. [27] This has led to declining numbers and declining influence -- which in turn encourages yet more persecution. Communities that date back almost two thousand years to the dawn of Christianity have been steadily decreasing in numbers; now the faith is on the verge of disappearing from the area altogether.

Muslim militants in Algeria have targeted that country's small group of Catholics for years. In 1994, they killed a priest, a nun, and four missionaries; in 1995, two nuns; in 1996, a bishop and fourteen monks. Many of those who were murdered were trying to

establish friendly relations with the Muslim community. Bishop Pierre Claverie of Oran, killed in 1996, "had dedicated his life to promoting dialogue between Islam and Christianity; he was known as the 'Bishop of the Muslims' and had studied Islam in depth — indeed to such an extent that...the Muslims themselves would consult him on the subject." [28]

In early 2002 in Malawi, according to Compass Direct, two local Christians "have been stoned, threatened with machetes and warned by local Muslim leaders that they will be sent back to their original villages as corpses if they continue to hold meetings in their houses." [29]

According to Aid to the Church in Need, in Bangladesh "on April 28 1998, a crowd — instigated by the Islamists — ransacked and partly burnt down the Catholic girls' college of St. Francis Xavier, the churches of Santa Croce and St. Thomas in the capital, and the Baptist church in Sadarghat. Some priests, nuns and even ordinary workers have been threatened with death."

The occasion for this violence seems to have been a dispute over land: "The reason for the conflict was a plot of land belonging to the church which the adjacent mosque wanted for itself. Seven thousand people, incited via a loud-hailer with claims that the mosque had been invaded by Christians and Jews, broke into the St Francis Xavier College, burning books, smashing crucifixes and statues of the Virgin, breaking down doors, windows and ransacking the dormitories." [30]

Libyan strongman Muammar Qaddafi is likewise intolerant of Christians. Aid to the Church in Need reports that in Libya, "The majority of the Christian churches were closed following the revolution of 1969, despite the fact that the words of the Constitution guarantee the liberty of religion. After expelling the Italian and Maltese Catholics, Qaddafi turned the cathedral in the capital into a mosque." [31]

Since the Turkish occupation of northern Cyprus in 1974, churches have been despoiled of icons, which have flooded the black market in Greece. The Turks have taken over many churches for secular uses, and even tried to convert the fourth century monastery of San Makar into a hotel. Christian Cypriots are forbidden to come near the building, much less enter it. [32]

Muslim militants seem determined to drive all Christians out of the country. In Tur-Abdin in southwest Turkey in 1960, there were 150,000 Christians; today there are just over two thousand. Terrorism is employed where subtler means of persuasion fail: according to Aid to the Church in Need, "on December 3, 1997, a bomb exploded in the headquarters of the Ecumenical Patriarch, injuring a deacon and damaging the church." [33] The Turkish government, meanwhile, has closed the last remaining Orthodox seminary, and with its requirement that the Patriarch of Constantinople be a Turkish citizen, seems intent upon destroying the patriarchate.

In Indonesia, the massacres of Christians by Laskar Jihad in 2002 described above were not the beginning or the end of the plight of Christians there. In Java in 1996, Muslims destroyed thirteen churches. Thirteen more churches were torched in Djakarta in 1998 by mobs shouting, "We are Muslim gentlemen and they are Christian pigs" and, paraphrasing the Qur'an, "Kill all the pagans!" One Muslim shouted at an army officer who was trying to protect some Christians to "stand aside and allow Islamic justice to take its course." [34]

Human rights organisations report that Indonesian jihadists, often abetted by local government officials, have forced the closing of 110 churches in Indonesia between 2004 and 2007. [35] Because of the violence, incidents of commonplace Christian charity have been transformed into homilies on what appear to be the perdurable differences between

Islam and Christianity: Aid to the Church in Need tells of "eight Sisters of the Little Child Jesus, on arriving in Cileduk, a suburb of Java, were attacked by stone-throwing Muslims; they responded by building a care centre for children, an old people's home and a school."

And in the most horrific instance of Muslim persecution of Christians in Indonesia, in October 2005, three Islamic jihadists beheaded three Christian girls and severely wounded a fourth as they walked to school near the city of Poso.[36] For this ghastly triple murder, an Indonesian court sentenced the organiser of the attack to twenty years in prison; his two accomplices both got fourteen years.[37]

Christians who have converted from Islam suffer special hatred. But those born to the faith don't have it much easier. Saudi Arabia, the holy land of Islam, has been especially harsh on religious minorities. Even foreigners must submit to draconian Saudi religious laws:

In 1979, when the Muslims requested the intervention of a special French unit into the Kaaba, against a group of Islamic fundamentalists who were opposed to the government, the soldiers of the intervention force of the French national police (GIGN — Groupe d'intervention de la Gendarmerie nationale) were obliged to undergo a rapid ceremony of conversion to Islam. Even the Red Cross was obliged, during the course of the Gulf war, to drive around without the symbol of the Cross and not to display its banner.[38]

Adds former U. S. Foreign Service Officer Tim Hunter, who served in Saudi Arabia from 1993 to 1995, "On occasion they beat, even tortured, Americans in Jeddah for as little as possessing a photograph with a Star of David in the background or singing Christmas carols....The Mutawa [Saudi religious police] chained, beat and cast clergy into medieval-style dungeons." [39]

Amnesty International reports that an Indian named George Joseph, who was working in Saudi Arabia, "was reportedly arrested outside his home in May [2000] as he returned from a Catholic service with a religious cassette tape." [40]

In early 2003 the Saudi government reaffirmed that there was not and would never be a church in the Kingdom. "This country was the launchpad for the prophecy and the message, and nothing can contradict this, even if we lose our necks," said Prince Sultan, the Saudi defence minister. Responding to complaints that American military and diplomatic personnel were not allowed to practice their faith, he called them "fanatics" and declared: "There are no churches — not in the past, the present or future. . . . Whoever said that [churches should be established] must shut up and be ashamed." [41] Reports in early 2008 that Pope Benedict XVI and the Vatican were in talks with Saudi officials to open a church in the Kingdom were put in perspective quickly by Anwar Ashiqi, president of the Saudi centre for Middle East strategic studies, in an interview on the Arab television network al-Arabiya. "I haven't taken part in several meetings related to Islamic-Christian dialogue and there have been negotiations on this issue," he explained. However, "it would be possible to launch official negotiations to construct a church in Saudi Arabia only after the Pope and all the Christian churches recognise the prophet Mohammed. If they don't recognise him as a prophet, how can we have a church in the Saudi kingdom?" [42]

The religious cleansing of Christians in the Muslim world does not surprise anyone familiar with the origins of Islam. The prophet Muhammad declared: "I will expel the Jews and Christians from the Arabian Peninsula and will not leave any but Muslims." [43] According to a modern Islamic legal manual, Christians are "forbidden to reside in the Hijaz, meaning the area and towns around Mecca, Medina, and Yamama, for more than three days." [44] In fact, the highways in Saudi Arabia that lead to Mecca and Medina

feature, a good distance away from the holy cities, exits marked "Non-Muslims Must Exit Here."

The Punishment for Conscience is Death

Converts from Islam to Christianity are often hunted in the Muslim world, where virtually all religious authorities agree that such individuals deserve death. Muhammad himself commanded such a punishment: "Whoever changed his Islamic religion, then kill him." [45] This is still the position of all the schools of Islamic jurisprudence, although there is some disagreement over whether the law applies only to men, or to women also.

At Cairo's Al-Azhar University, the most prestigious and influential institution in the Islamic world, an Islamic manual certified as a reliable guide to Sunni Muslim orthodoxy states: "When a person who has reached puberty and is sane voluntarily apostatizes from Islam, he deserves to be killed." Although the right to kill an apostate is reserved in Muslim law to the leader of the community and other Muslims can theoretically be punished for taking this duty upon themselves, in practice a Muslim who kills an apostate needs to pay no indemnity and perform no expiatory acts (as he must in other kinds of murder cases under classic Islamic law). This accommodation is made because killing an apostate "is killing someone who deserves to die." [46]

IslamOnline, a website manned by a team of Islam scholars headed by the internationally influential Sheikh Yusuf al-Qaradawi, explains, "If a sane person who has reached puberty voluntarily apostatizes from Islam, he deserves to be punished. In such a case, it is obligatory for the caliph (or his representative) to ask him to repent and return to Islam. If he does, it is accepted from him, but if he refuses, he is immediately killed." And what if someone doesn't wait for a caliph to appear and takes matters into his own hands? Although the killer is to be "disciplined" for "arrogating the caliph's prerogative and encroaching upon his rights," there is "no blood money for killing an apostate (or any expiation)" – in other words, no significant punishment for the killer. [47]

An Afghan named Abdul Rahman knows all this well. In February 2006, he was arrested for the crime of leaving Islam for Christianity. [48] The Afghan Constitution stipulates that "no law can be contrary to the beliefs and provisions of the sacred religion of Islam." [49] Even after his arrest, Western analysts seem to have had trouble grasping the import of this provision. A "human rights expert" quoted by the Times of London summed up confusion widespread in Western countries: "The constitution says Islam is the religion of Afghanistan, yet it also mentions the Universal Declaration of Human Rights, and Article 18 specifically forbids this kind of recourse. It really highlights the problem the judiciary faces." [50]

But in fact there was contraction. The Constitution may declare its "respect" for the Universal Declaration of Human Rights, but it also says that no law can contradict Islamic law. The Constitution's definition of religious freedom is explicit: "The religion of the state of the Islamic Republic of Afghanistan is the sacred religion of Islam. Followers of other religions are free to exercise their faith and perform their religious rites **within the limits of the provisions of law**" [*My emphasis*].

The Islamic death penalty for apostasy is deeply ingrained in Islamic culture -- which is one reason why it was Abdul Rahman's own family that went to police to file a complaint about his conversion. Whatever triggered their action in 2006, they could be confident that the police would receive such a complaint with the utmost seriousness.

After an international outcry, Abdul Rahman was eventually spirited out of Afghanistan to relative safety in Italy. Despite the publicity, his case was hardly unique. Sudanese Al-Faki Kuku Hassan, whom news reports describe as "a former Muslim sheikh who

converted to Christianity in 1995," was arrested for apostasy in March 1998 and held, despite international protests, until his declining health (he suffered a stroke in Spring 2001) led to his release on May 31, 2001.[51]

Muhammad Sallam, an Egyptian convert to Christianity, was arrested in 1989 and tortured; he was arrested again in 1998 and spirited away to an unknown destination. Two other converts to Christianity in Egypt, Dr. Abdul-Rahman Muhammad Abdul-Ghaffar and Abdul Hamid Beshan Abd El Mohzen, were held in solitary confinement for extended periods in the late 1980s.

In Morocco, authorities jailed Christian converts as well as a Salvadoran Baptist musician, Gilberto Orellana, who was accused of converting a Muslim to Christianity.[52] Even in comparatively tolerant Jordan, where freedom of religion is guaranteed by the Constitution, "Muslims who convert to other religions suffer discrimination both socially and on the part of the authorities, since the government does not fully recognise the legality of such conversions and considers the converts to be still Muslims, subject to the Sharia, according to which they are apostates and could have their property confiscated and many of their rights denied them." [53]

Robert Hussein Qambar Ali, a Kuwaiti national who converted from Islam to Christianity in the 1990s, was arrested and tried for apostasy, even though the Kuwaiti Constitution guarantees the freedom of religion. Mohammad Al-Jadai, one of Hussein's prosecutors, explained: "Legislators did not regulate the question of apostasy in the Constitution because they never thought this kind of thing could happen here. The freedom of belief in the Constitution applies only to the religion of birth." [54]

When Hussein asked during a court hearing to see a memorandum from the prosecution, the prosecutor told the judge, "His blood is immoral! This document contains verses from the Holy Qur'an and should not be touched by this infidel!" Then the prosecutor began quoting a passage from the memorandum that made abundantly clear the relationship between Kuwait's ostensibly tolerant secular law and the Sharia: "With grief I have to say that our criminal law does not include a penalty for apostasy. The fact is that the legislature, in our humble opinion, cannot enforce a penalty for apostasy any more or less than what our Allah and his messenger have decreed. The ones who will make the decision about his apostasy are: our Book, the Sunna, the agreement of the prophets and their legislation given by Allah."

An Islamic court condemned Hussein to die. Professor Anh Nga Longva of the University of Bergen, Norway visited Kuwait in 1997 and found passions running high over the case: "I found a surprisingly strong consensus across the liberal/islamist divide. Practically everyone agreed that Qambar's conversion was a serious crime and as is the case with all crimes, it had to be punished. They also agreed that depriving him of all his civil rights was an adequate punishment. The only topic which gave rise to some disagreement and a subdued sense of unease within some circles was the question of the death penalty."

Intriguingly, Longva reports that those who were indignant over Hussein Qambar Ali's conversion invoked the same Qur'anic verse he would have used to argue that Hussein was within his rights to become a Christian: "Those who opposed [the death penalty for Hussein] based their position on the Qur'anic verse 2:257 [in most Qur'anic verse numbering systems it is 2:256] that says 'no compulsion is there in religion'. But more often than not, the same verse was quoted in front of me to show that precisely because Islam is such a tolerant religion, there are no possible excuses for apostasy." [55]

Longva quotes the disquieting summation of a Kuwaiti jurist: "We always remind those who want to convert to Islam that they enter through a door but that there is no way out." [56] Hussein was eventually convicted of apostasy, but increasing international attention to this case enabled him to escape to the United States.

In August 2007, Mohammed Hegazy, an Egyptian convert from Islam to Christianity, was forced to go into hiding after a death sentence was pronounced against him by Islamic clerics. He refused to flee Egypt, however, and declared:

"I know there are fatwas to shed my blood, but I will not give up and I will not leave the country." [57] Early in 2008, his father told Egyptian newspapers: "I am going to try to talk to my son and convince him to return to Islam. If he refuses, I am going to kill him with my own hands." As of this writing, Hegazy remains in hiding in Egypt. [58]

While doing nothing to help Hegazy, in February 2008, the Egyptian government made what appeared to be a significant concession to that nation's Christian minority when it allowed converts from Islam to Christianity to note their new religion on their state-issued identity cards. [59]

This seemed at first glance to be a major departure from the traditional death penalty for apostates from Islam. But Egypt, although it is not a Sharia state, has never looked kindly upon those who converted. While the new regulation seemed to be a step in a new direction, it turned out that the concession applies only to Christians who converted to Islam and then returned to Christianity. The converts' identity cards will bear that information. In light of the Islamic law making apostasy from Islam a capital offense, the converts' identity cards are the equivalent of a bulls-eye. Any Muslim who meets them and takes the death penalty for apostasy seriously will consider himself justified to kill them.

Qur'anic Justification for the persecution of Christians

"Like Christians, Muslims respect and revere Jesus. Islam teaches that Jesus is one of the greatest of God's prophets and messengers to humankind. Like Christians, every day, over 1.3 billion Muslims strive to live by his teachings of love, peace, and forgiveness. Those teachings, which have become universal values, remind us that all of us, Christians, Muslims, Jews, and all others have more in common than we think."

So read an advertisement that the Council on American Islamic Relations (CAIR) placed in California newspapers in March 2004. The ad's message about bridges between Islam and Christians appeared to have a Qur'anic precedent. The Islamic holy book asserts that Christians will be the closest friends to Muslims: "Strongest among men in enmity to the believers wilt thou find the Jews and Pagans; and nearest among them in love to the believers wilt thou find those who say, 'We are Christians': because amongst these are men devoted to learning and men who have renounced the world, and they are not arrogant" (5:82).

But in the Muslim world there is no reason to play act at ecumenism. On the other hand, the Saudi Sheikh Marzouq Salem Al-Ghamdi recently preached in a mosque in Mecca that "Christians are infidels, enemies of Allah, his Messenger, and the believers. They deny and curse Allah and his Messenger . . . How can we draw near to these infidels?" [60]

The Sheikh was ignoring Qur'an 5:82 in favor of another verse: "O ye who believe! Take not the Jews and the Christians for your friends and protectors: they are but friends and protectors to each other. And he amongst you that turns to them (for friendship) is of them. Verily Allah guideth not a people unjust" (5:51).

Besides these mixed messages, the Qur'an has a great deal more to say about Christianity and Christ. It teaches Jesus's Virgin Birth (Sura 19, which is entitled "Mary," contains a long description of this event) and calls him Allah's "Word" and "a spirit proceeding from Him," but it also denies the Trinity and insists that Jesus is not the Son

of God (4:171). It places Jesus in a line of prophets including many Old Testament figures: "Say ye: 'We believe in Allah, and the revelation given to us, and to Ibrahim (Abraham), Isma'il, Isaac, Jacob, and the Tribes, and that given to Moses and Jesus, and that given to (all) prophets from their Lord. We make no difference between one and another of them, and we bow to Allah (in Islam)'" (2:136).

In the Qur'anic view, this line culminates in Muhammad, the last and greatest prophet whose revelation completes and corrects all previous revelations. Hence Muslims traditionally believe that Islam is the final revelation from Allah, but that Jews and Christians also received genuine revelations (hence their Qur'anic designation "People of the Book"), which they have criminally altered to exalt Jesus as the Son of God and remove references to the coming of Muhammad. Christians also added the false doctrines of the Trinity and the Divinity of Christ: "So believe in Allah and His messengers, and say not 'Three.' Cease! (it is) better for you! Allah is only One Allah. Far is it removed from His Transcendent Majesty that He should have a son" (4:171).

Consequently, there is an evasiveness in some Muslims' claim that Islam recognises Christianity as a legitimate faith. For the Christianity that the Qur'an recognises is not Christianity as millions practice it around the world today. The Qur'an says of Jesus: "We sent him the Gospel. Therein was guidance and light, and confirmation of the Law that had come before him, a guidance and an admonition to those who fear Allah. Let the people of the Gospel judge by what Allah hath revealed therein. If any do fail to judge by (the light of) what Allah hath revealed, they are (no better than) those who rebel" (5:46-47).

When Muslims began to have contact with Christians on a large scale, this passage put them in an uncomfortable position: they held that the Gospel bore witness to Muhammad's prophethood, and that accordingly if Christians judged by it rightly, they would become Muslims. But instead Muslims found that the New Testament affirmed the Christian understanding of Jesus that the Qur'an repudiated, and contained no trace of an idea that a later prophet would come with a final revelation. Thus Muslims began to teach that Christians had corrupted the pure Gospel that was given to Jesus by Allah.

This idea is still common in the Islamic world today. The Muslim scholar Abdullah Yusuf Ali, translator of a popular English version of the Qur'an, includes an explanatory note in his Qur'an about the Gospel: "The Injil [Gospel] mentioned in the Qur'an is certainly not the New Testament, and it is not the four Gospels, as now received by the Christian Church, but an original Gospel which was promulgated by Jesus as the Tawrah [Torah] was promulgated by Moses and the Qur'an by Muhammad al Mustafa." [61]

Thus while there are, of course, many Muslims willing to live in peace and harmony with Christians, there are others who feel they are doctrinally justified by their faith to despise Christians as corrupters of Allah's word and bearers of his curse.

This is a key source of much of the enduring enmity between Muslims and Christians. And that enmity is compounded by the Islamic doctrine of jihad: the idea that it is part of the responsibility of the Muslim community to wage war against unbelievers until they either convert to Islam, submit to Muslim rule (which involves accepting a number of humiliating regulations), or are killed. This triple choice, announced by Muhammad himself, is founded on the Qur'an, which states explicitly that it is to be extended to Jews and Christians: "Fight those who believe not in Allah nor the Last Day, nor hold that forbidden which hath been forbidden by Allah and His Messenger, nor acknowledge the religion of Truth, (even if they are) of the People of the Book, until they pay the Jizya [a special higher tax rate] with willing submission, and feel themselves subdued" (9:29).

Persecution of Christians: A living tradition

Muhammad's last military expedition was against the Byzantine Christians in the northern Arabian garrison of Tabuk, and shortly after their prophet's death Islamic jihadists conquered and Islamised what had up to then been the Christian lands of the Middle East, North Africa and Spain. The jihad then pointed toward Christian Europe and continued there for centuries, with a high water mark coming in 1453 with the conquest of Constantinople. But in September 1683, the Ottoman siege of Vienna was broken, and the Islamic tide in Europe began to recede. But the doctrines that fueled the jihad against Christians were never reformed or rejected by any Islamic sect. Consequently, with the renewal of jihadist sentiments among Muslims in the twentieth century came renewed persecution of Christians. This chilling story told by a woman who lived during the Ottoman Empire of the late nineteenth century captures the moment of that renewal in one household:

Then one night, my husband came home and told me that the padisha had sent word that we were to kill all the Christians in our village, and that we would have to kill our neighbours. I was very angry, and told him that I did not care who gave such orders, they were wrong. These neighbours had always been kind to us, and if he dared to kill them Allah would pay us out. I tried all I could to stop him, but he killed them — killed them with his own hand.[62]

The Christian population in Turkey has declined from 15% in 1920 to one percent today. In Syria, it has declined from 33% to 10% in the same span. In Bethlehem, 85% of the population was Christian in 1948; today, 12% hold to the faith of the town's most celebrated native son.[63]

The burden of the past lies heavy on the present for Christians in the Muslim world. Sheikh Omar Bakri Muhammad, a controversial pro-Osama Muslim leader who lived for years in Great Britain but is now barred from reentering that country, wrote in October 2002, "We cannot simply say that because we have no Khilafah [caliphate] we can just go ahead and kill any non-Muslim, rather, we must still fulfill their Dhimmah." [64] The Dhimmah is the Islamic legal contract of protection for Jews, Christians, and some other inferiors under Islamic rule; those who accept this protection and the concomitant deprivation of various rights, are known as dhimmis. In 1999, Sheikh Yussef Salameh, the Palestinian Authority's undersecretary for religious endowment, according to Jonathan Adelman and Agota Kuperman of the Foundation for the Defence of Democracies, "praised the idea that Christians should become dhimmis under Muslim rule, and such suggestions have become more common since the second intifada began in October 2000." [65]

In a recent Friday sermon at a mosque in Mecca, Sheikh Marzouq Salem Al-Ghamdi spelled out the Sharia's injunctions for dhimmis:

If the infidels live among the Muslims, in accordance with the conditions set out by the Prophet — there is nothing wrong with it provided they pay Jizya to the Islamic treasury. Other conditions are...that they do not renovate a church or a monastery, do not rebuild ones that were destroyed, that they feed for three days any Muslim who passes by their homes...that they rise when a Muslim wishes to sit, that they do not imitate Muslims in dress and speech, nor ride horses, nor own swords, that they do not arm themselves with any kind of weapon; that they do not sell wine, do not show the cross, do not ring church bells, do not raise their voices during prayer, that they shave their hair in front so as to make them easily identifiable, do not incite anyone against the Muslims, and do not strike a Muslim...If they violate these conditions, they have no protection.[66]

These Sharia provisions have not been fully enforced since the mid-nineteenth century, but today's jihadists want to restore these laws along with the rest of the Sharia.

The idea that Christians must "feel themselves subdued" (Qur'an 9:29) in Islamic lands is also very much alive. When the first Catholic Church in Qatar opened in March 2008, it sported no cross, no bell, no steeple, and no sign. "The idea," explained the church's pastor, Fr. Tom Veneracion, "is to be discreet because we don't want to inflame any sensitivities." [67]

In the Philippines, the church in the nation's one Islamic city, Marawi, has also done away with the cross. Catholic priest, Fr. Teresito Soganub, explains: "To avoid arguments and to avoid further misunderstandings we just plant the cross deep in our hearts." Fr. Soganub, according to Reuters, "doesn't wear a crucifix or a clerical collar and sports a beard out of respect for his Muslim neighbours." He celebrates few weddings, since roast pork is a staple of wedding receptions for Filipino Catholics. [68]

It is easy to see the need for such discretion. Preaching in a mosque in Al-Damam, Saudi Arabia, the popular Saudi Sheikh Muhammad Saleh Al-Munajjid recommended hatred of Christians and Jews as a proper course: "Muslims must," he declared, "educate their children to Jihad. This is the greatest benefit of the situation: educating the children to Jihad and to hatred of the Jews, the Christians, and the infidels; educating the children to Jihad and to revival of the embers of Jihad in their souls. This is what is needed now..." [69]

The Crime of Silence of Human Rights Groups

What Justus Reid Weiner, an international human rights lawyer, stated in December 2007 about Christians in Palestinian areas applies to Christians in the Islamic world generally: "The systematic persecution of Christian Arabs living in Palestinian areas is being met with nearly total silence by the international community, human rights activists, the media and NGOs." He said that if nothing were done, no Christians would be left there in fifteen years, for "Christian leaders are being forced to abandon their followers to the forces of radical Islam." [70]

The nearly total silence manifests itself in the curiously euphemistic manner in which human rights groups report on the plight of Christians, when they notice that plight at all. For example, Amnesty International's 2007 report on the human rights situation in Egypt dismisses the suffering of Coptic Christians in a single sentence so filled with euphemism and moral equivalence and so lacking in context that it almost erases the crime it describes: "There were sporadic outbreaks of sectarian violence between Muslims and Christians. In April [2006], three days of religious violence in Alexandria resulted in at least three deaths and dozens of injuries." [71] In reality, the strife began when a Muslim stabbed a Christian to death inside a church, and when armed jihadists attacked three churches in Alexandria that same month. [72]

The passive voice seems to be the rule of the day where jihad violence against Christians is concerned. The 2007 Amnesty International report on Indonesia includes this line: "Minority religious groups and church buildings continued to be attacked." By whom? AI is silent. "In Sulawesi, sporadic religious violence occurred throughout the year." [73] Who is responsible for that violence? AI doesn't say. Amnesty International seems more concerned about protecting Islam and Islamic groups from being implicated in human rights abuses than about protecting Christians from those abuses. It appears that Christianity – even indigenous Egyptian Christianity, which of course predates the advent of Islam in that country – is too closely identified with the United States and the West for the multiculturalist tastes of the human rights elite.

The situation is dire. Melkite Greek Catholic Patriarch Gregory III, who lives in Damascus, declared in April 2006 that "after 11 September, there is a plot to eliminate all the Christian minorities from the Arabic world....Our simple existence ruins the equations whereby Arabs can't be other than Moslems, and Christians but be westerners.... If the Chaldeans, the Assyrians, the Orthodox, the Latin Catholics leave, if the Middle East is cleansed of all the Arabic Christians, the Moslem Arab world and a so-called Christian Western world will be left face to face. It will be easier to provoke a clash and justify it with religion. That is why I wrote a letter in July to all the Arab rulers, to explain how important it is that this small presence, 15 million Arab Christian scattered among 260 million Moslems, not be swept away." [74]

Yet some American Christians and non-Christians are surprised just to discover that there are ancient communities of Christians in Islamic lands at all, and have no idea that Christians in the Islamic world are being persecuted. Others are indifferent because of the growing movement of chic atheism which sees all religions as equally objectionable, whatever their individual behaviour, and all victims of religious persecution as getting what they deserve. And many Westerners, particularly those in the human rights elite, are wedded to a moral paradigm in which only non-Western non-Christians can possibly fit into the human rights groups' victim paradigm – a sad situation when the position of Christians all over the Third World is increasingly precarious.

And so Islamic jihadists and Sharia supremacists, with ever increasing confidence and brutality and virtually no protest from the West, continue to prey on the Christians in their midst. It's a crime that is growing in consequence, and it has created a bloody ground where Islam and Christianity meet in the Third World.

Robert Spencer is a scholar of Islamic History, theology, and law and the director of Jihad Watch, a program of the David Horowitz Freedom Center. He is the author of *The Politically Incorrect Guide to Islam (and the Crusades)* and *The Truth About Muhammad*. His latest book is *Religion of Peace?*

Sources:

<http://www.aina.org/reports/mpoc.pdf>

1. Bill Guerin, "Poisoning the Peace in the Spice Islands," *Asia Times Online*, January 24, 2003, www.atimes.com
2. Amy Chew, "Militant Laskar Jihad group disbands," www.cnn.com, October 16, 2002; Daniel Pipes, "What is Jihad," *New York Post*, December 31, 2002; Rod Dreher, "Do Christians Bleed?," *National Review*, September 16, 2002.
3. Rod Dreher, "Do Christians Bleed?: Unreported persecution in the Muslim world," *National Review*, September 16, 2002.
4. Sameer N. Yacoub, "Christian Priest Killed in Baghdad," *Associated Press*, April 5, 2008.
5. Sameer N. Yacoub, "Archbishop kidnapped in Iraq dead," *Associated Press*, March 12, 2008.
6. "Iraq: Kidnappers Behead Priest In Mosul," *Compass Direct News*, October 12, 2006.
7. "Muslims Forcing Christian Assyrians in Baghdad Neighborhood to Pay 'Protection Tax,'" *Assyrian International News Agency*, March 18, 2007.
8. "Iraq: Militant Group Threatens Female Students in Kirkuk," *AKI*, June 6, 2006; Nimrod Raphaeli, "The Plight of Iraqi Christians," *Middle East Media Research Institute, Inquiry and Analysis Series No. 213*, March 22, 2005.
9. Aid to the Church in Need, "Religious Freedom in the Majority Islamic Countries 1998 Report: Iraq," http://www.alleanzacattolica.org/acs/acs_english/report_98/iraq.htm
10. William Dalrymple, "The final place of refuge for Christians in the Middle East is under threat," *The Guardian*, September 2, 2006.
11. "Love rumour sparks Muslim-Christian clash in Egypt," *Reuters*, February 13, 2007.
12. "Egypt Christian activists held for 'insulting Islam,'" *Middle East Times*, August 9, 2007.
13. "Egypt: Mobs Attack Churches Near Alexandria," *Compass Direct News*, June 15, 2007.
14. Jubilee Campaign, "Muslim Extremists Pressure Egyptian Christians to Convert to Islam," February 23, 1999. <http://sikhnet.com/sikhnet/discussion.nsf/By+Topic/b2a356d25fe67fa887256aef0079616e?Open>
15. Jubilee Campaign, "Christian Girl Kidnapped and Forced to Marry Muslim," March 19, 1999, op. cit.
16. Sara Pearsaul, "When Hell Broke Loose," <http://www.persecutedchurch.org/know/story/story.htm>.
17. "Priest: Pakistan Short on Religious Freedom," *Zenit News Agency*, August 21, 2007.
18. "Pakistan: Religious Minorities Told To Convert Or Die," *Compass Direct News*, August 16, 2007.
19. "18 dead in Pakistan church shooting," *BBC*, October 28, 2001.
20. "Pakistan: Christmas Season Tense for Christians," *Compass Direct News*, December 14, 2001.
21. Brian Saint-Paul, "The Crescent and the Gun," *Crisis*, January 2002, p. 15.
22. Khaled Abu Toameh, "Gaza's Christians fear for their lives," *Jerusalem Post*, June 18, 2007.

23. John Eibner and Charles Jacobs, "France and Germany Abet Genocide," *Boston Globe*, March 18, 2003.
24. "Islamists burn to death Christian pastor, family," *WorldNetDaily.com*, June 4, 2003.
25. "Religious rioters torch 10 buildings in Jigawa," *The Guardian (Nigeria)*, September 21, 2006; "Muslim Fundamentalists Attack Xtian Female Students in FUT," *Daily Champion (Lagos)*, reprinted at *AllAfrica.com*, September 24, 2005.
26. "Nigeria: Death Toll Mounts in Religious Conflict," *Compass Direc News*, December 14, 2001.
27. Yara Bayoumy, "Beirut car bomb kills anti-Syrian MP," *Reuters*, September 19, 2007.
28. Aid to the Church in Need, "Religious Freedom in the Majority Islamic Countries 1998 Report: Algeria," http://www.alleanzacattolica.org/acs/acs_english/report_98/algeria.htm
29. "Malawi: Christian Teachers Threatened," *Compass Direct News*, January 28, 2002.
30. Aid to the Church in Need, "Religious Freedom in the Majority Islamic Countries 1998 Report: Bangladesh," http://www.alleanzacattolica.org/acs/acs_english/report_98/bangladesh.htm
31. Aid to the Church in Need, "Religious Freedom in the Majority Islamic Countries 1998 Report: Libya," http://www.alleanzacattolica.org/acs/acs_english/report_98/libya.htm
32. Aid to the Church in Need, "Religious Freedom in the Majority Islamic Countries 1998 Report: Cyprus," http://www.alleanzacattolica.org/acs/acs_english/report_98/cyprus.htm
33. Aid to the Church in Need, "Religious Freedom in the Majority Islamic Countries 1998 Report: Turkey," http://www.alleanzacattolica.org/acs/acs_english/report_98/turkey.htm
34. Aid to the Church in Need, "Religious Freedom in the Majority Islamic Countries 1998 Report: Indonesia," http://www.alleanzacattolica.org/acs/acs_english/report_98/indonesia.htm
35. "Indonesia: 110 Churches Closed In Three Years," *Compass Direct News*, April 2, 2008.
36. Tim Johnston, "Three Indonesian girls beheaded," *BBC News*, October 29, 2005.
37. "Indonesian militants get jail terms for beheadings," *Reuters*, March 21, 2007.
38. Aid to the Church in Need, "Religious Freedom in the Majority Islamic Countries 1998 Report: Saudi Arabia," http://www.alleanzacattolica.org/acs/acs_english/report_98/saudi Arabia.htm
39. Quoted in Martin Edwin Andersen, "For One Diplomat, the High Road Is a Lonely One," *WorldNetDaily*, February 11, 2002, www.wnd.com.
40. "Saudi Arabia — Amnesty International Report 2001," <http://www.web.amnesty.org/web/ar2001.nsf/webmepcountries/SAUDI+ARABIA?Open>
41. "Saudi Firm on Church Ban," *Associated Press*, March 15, 2003.
42. "Saudi Arabia: No churches unless prophet Mohammed recognised, says expert," *AKI*, March 20, 2008.
43. *Sahih Muslim*, book 19, number 4366.
44. 'Umdat al-Salik, o11.6.
45. *Bukhari*, vol. 9, book 84, number 57.
46. 'Umdat al-Salik, o8.1, o8.4.
47. Robert Spencer, "Death to the Apostates," *FrontPageMagazine.com*, October 24, 2006.
48. Sayed Salahuddin, "Man faces death over Christianity," *Reuters*, March 19, 2006.
49. Afghanistan Constitution, Adopted by Grand Council on January 4, 2004. http://www.servat.unibe.ch/law/icl/af00000_.html
50. Tim Albone, "Anger over Christian convert in Kabul who faces death," *The Times*, March 21, 2006.
51. "Sudanese Prisoner Released From Hospital," *Compass Direct News*, June 1, 2001.
52. Aid to the Church in Need, "Religious Freedom in the Majority Islamic Countries 1998 Report: Morocco," http://www.alleanzacattolica.org/acs/acs_english/report_98/morocco.htm
53. Aid to the Church in Need, "Religious Freedom in the Majority Islamic Countries 1998 Report: Jordan," http://www.alleanzacattolica.org/acs/acs_english/report_98/jordan.htm
54. Robert Hussein, *Apostate Son*, Najiba Publishing Company, 1998, p. 120.
55. Anh Nga Longva, "The apostasy law in the age of universal human rights and citizenship: Some legal and political implications," *The fourth Nordic conference on Middle Eastern Studies: The Middle East in globalizing world*, Oslo, 13-16 August 1998, <http://www.hf.uib.no/smi/pao/longva.html>.
56. Anh Nga Longva, "The apostasy law in the age of universal human rights and citizenship: Some legal and political implications," *The fourth Nordic conference on Middle Eastern Studies: The Middle East in globalizing world*, Oslo, 13-16 August 1998, <http://www.hf.uib.no/smi/pao/longva.html>.
57. Maggie Michael, "Threats force Egyptian convert to hide," *Associated Press*, August 12, 2007.
58. Abdallah Daher, Sarah Pollak & Dale Hurd, "Ex-Muslim on the Run for Conversion," *CBN News*, March 27, 2008.
59. "Government paints bull's-eye on Christians," *WorldNetDaily*, February 15, 2008.
60. Middle East Media Research Institute (MEMRI), "Friday Sermons in Saudi Mosques: Review and Analysis," *MEMRI Special Report No. 10*, September 26, 2002. www.memri.org.
61. Abdullah Yusuf Ali, "On the Injil," *The Meaning of the Holy Qur'an*, Amana Publications, 1999, p. 291.
62. Quoted in David Pryce-Jones, *The Closed Circle: An Interpretation of the Arabs*, Ivan R. Dee, Publisher, 2002, pp. 31-2.
63. Stephen Farrell and Rana Sabbagh Gargour, "All my staff at the church have been killed - they disappeared," *The Times*, December 23, 2006.
64. Middle East Media Research Institute (MEMRI), "Islamist Leader in London: No Universal Jihad As Long As There is No Caliphate," *MEMRI Special Dispatch No. 435*, October 30, 2002.
65. Jonathan Adelman and Agota Kuperman, "Christian Exodus from the Middle East," *Foundation for the Defense of Democracies*, December 19, 2001. Reprinted at: http://www.defenddemocracy.org/publications/publications_show.htm?doc_id=155713.
66. Middle East Media Research Institute (MEMRI), "Friday Sermons in Saudi Mosques: Review and Analysis," *MEMRI Special Report No. 10*, September 26, 2002. www.memri.org. This sermon is undated, but it recently appeared on the Saudi website www.alminbar.net. <http://45.768.4.830plus32:Qiokyis489273561938ЛУ>
67. Sonia Verma, "First Catholic Church Opens in Qatar, Sparking Fear of Backlash Against Christians," *FoxNews*, March 14, 2008.
68. Carmel Crimmins, "Philippines' Islamic city proud to be different," *Reuters*, March 17, 2008.
69. This sermon is undated. Like the others quoted here, it was posted at the Saudi website www.alminbar.net.
70. Etgar Lefkovits, "Expert: 'Christian groups in PA to disappear,'" *Jerusalem Post*, December 4, 2007.
71. Amnesty International Report 2007: Egypt. <http://thereport.amnesty.org/eng/Regions/Middle-East-and-North-Africa/Egypt>
72. "Sectarian tensions flare in Egypt," *BBC News*, April 16, 2006.
73. Amnesty International Report 2007: Indonesia. <http://thereport.amnesty.org/eng/Regions/Asia-Pacific/Indonesia>
74. "We are the Church of Islam," Interview with the patriarch of Antioch Grégoire III Laham by Gianni Valente, 30 Days, April 2006.

2.32 Christians in the Middle East

What is the origin and history of Christians in the Middle East?

"...overwhelming majority of Middle East Christians came from nationalities which did not convert to Islam after the Arab conquest of the seventh century. "

What is the situation of Christians in the Middle East today?

Types of Persecutions:

There are various types of persecutions of Christians in the Middle East. We can sort them in two:

a) Religious persecution of individuals (human rights abuse): This persecution is conducted against individuals because of their religious affiliation. In Saudi Arabia and Iran, for examples, individuals are punished for displaying crosses or stars of David, jailed for praying in public, and in some cases punished by death, for not complying with the religious tenants. In these countries, as well as in Egypt and Sudan, converts to Christianity are sentenced to death.

b) Political oppression of religious communities (ethno-religious cleansing): In this case, ruling regimes are oppressing entire religious communities on political, security, and economic levels. The objectives of such oppression is to reduce the influence of the Christian communities, and in certain cases, to reduce it physically.

The ethno-religious cleansing of Christian peoples in the Middle East alternate between military suppression and political oppression. In Egypt, the large Coptic nation is systematically discriminated against on the constitutional, political, administrative, and cultural levels. Moreover para-military fundamentalist groups are conducting pogroms against the Christians, which includes burning Churches and assassinating civilians.

In Sudan, the stated objective of the ruling regime is to Arabise and Islamise the African Christian and Animist population of the south. Particularly since 1992, the Sudanese government has been waging a military campaign aimed at dispersing, enslaving, and subduing the southern Blacks.

Last but not least, let us review the third largest Christian community of the region, the Lebanese, who are under political and security oppression in their homeland.

Under occupation by a Moslem power, Syria, the Christian community is systematically suppressed by the Syrian-controlled regime in Beirut.

The smaller Christian groups do no better. In Iraq, for example, the Assyrians are another group targeted by the Saddam regime. Growing numbers of Assyrians have been assassinated by radical fundamentalist groups.

Slavery:

Religious persecution of Christians in the Middle East has reached extreme forms of human degradation: In Sudan, abundant reports by international human rights organisations have documented the enslavement by the northern fundamentalist forces of southern African Christians. According to the reports and experts, there are today between 600,000 and one million Black slaves from Sudan, who have either been taken to the north of that country to work as domestics or tending farms, or sold in other Arab countries.

The authors of persecution:

a. The religious persecution and oppression is normally conducted by one religious group against other religious group: for Christians, this case has been the case in Egypt, Sudan, Iran, Lebanon, Saudi Arabia, Iraq, Pakistan. Of course, persecution can also be conducted by members of one particular group against other members of the same religious group on the basis of religious fundamentalism (Algeria, Afghanistan, Iran), or racism (Mauritania), but this is not the topic of today's discussion.

b. Persecution of ethno-religious groups, the Mideast Christians in particular, is conducted by legal governments (Egypt, Iran, Lebanon, Syria, Sudan) or by organisations (National Islamic Front in Sudan, Front Islamique de Salut, the Hizbollah of Lebanon, etc.)

- Prof. Walid Phares, before the US Senate Committee on Foreign Relations, Near East and South Asia Subcommittee on "Religious Persecution in the Middle East." Washington DC, April 29, 1997

Iran is now murdering Christian leaders.

The Reverend Mehdi Dibaj had converted from Islam to Christianity 45 years ago. On 21/12/93 he was sentenced to death on charges of apostasy. Released on appeal his body was found on 5 July 1994. The Reverend Haik Mehr, Superintendent of the Church of the Assemblies of God, who had campaigned against Dibaj's death sentence was found dead on 20/1/94. On 2 July 1994 the body of the Reverend Tatavous Michaelian, Chairman of the Council of Protestant Ministers in Iran was found with several gun shots to the head.

19/7/98 The GIA has claimed responsibility for the death of Berber singer Lounes Matoub. "It is common knowledge that the slain Lounes Matoub was among the most stubborn enemies of religion and the Mujahideen (Holy warriors)", their statement read.

How many Christians remain in the Middle East?

a. The largest Christian community of the Middle East is found in Egypt, which has ten to twelve million Copts. This Christian group comprises 1/5 to 1/6 of the country's population. Egypt is also a major recipient of U.S. foreign aid, despite blatant violations of religious freedom which occurs weekly in this country.

b. The Southern Sudanese are about six million. Christians are the largest monotheist group.

c. The Christians of Lebanon: about 1.5 million still reside there and more than 6 million live in the diaspora, including about a quarter of that number in the United States. Among the Lebanese Christians, the largest group is the Maronites, which are Catholics which follow Rome. Other smaller religious entities include the Melkites and Orthodox Christians.

d. The Assyro-Chaldeans: Around one million in Iraq with large concentrations in the Kurdish zone.

e. The Christians of Syria: About 1.2 million including Aramaics, Armenians, Melkites and Orthodox.

f. There are small but significant Christian communities in other countries such as Iran, Jordan, Israel, and less significant in Turkey, Algeria. By law there are no Christians in Saudi Arabia.

What has been the situation for Christians in Israel/Palestine?

In the last census conducted by the British mandatory authorities in 1947, there were 28,000 Christians in Jerusalem. The census conducted by Israel in 1967 (after the Six Day War) showed just 11,000 Christians remaining in the city. This means that some 17,000 Christians (or 61%) left during the days of King Hussein's rule over Jerusalem. Their place was filled by Muslim Arabs from Hebron.

During the British mandate period, Bethlehem had a Christian majority of 80%. Today, under Palestinian rule, it has a Muslim majority of 80%.

Few Christians remain in the Palestinian-controlled parts of the West Bank. Those who can - emigrate, and there will soon be virtually no Christians in the Palestinian Authority controlled areas. The Palestinian Authority is trying to conceal the fact of massive Christian emigration from areas under its control.

from PALESTINIAN AUTHORITY PERSECUTION OF CHRISTIANS (Prime Minister's Office)
November, 1997

As a result of unceasing persecution, the Christians are forced to behave like any oppressed minority which aims to survive. Christians in PA-controlled areas have taken to praying in secret. The wisdom of survival compels them to assess the "balance of fear", according to which they have nothing to fear from Israel but face an existential threat from the Palestinian Authority and their Muslim neighbours.

They act accordingly: they seek to "find favour" through unending praise and adulation for the Muslim ruler together with public denunciations of the "Zionist entity."

Middle East Digest - Nov/Dec 1997

Time magazine (April 23, 1990): "After years of relative harmony, friction between Christians and their fellow-Arabs [in the disputed territories] has intensified sharply with the rise of Muslim fundamentalism." (Time went on to cite various examples of Muslims pressuring Christian Arabs).

The Jerusalem Post (May 2, 1991): "Muslim activists have been trying to convert Bethlehem, home of some of Christianity's holiest sites and once predominantly Christian, into a Muslim town. In contrast to the world-wide fuss over the purchase of a hostel in Jerusalem's 'Christian Quarter' by Jews, this steady and often violent encroachment has met with a thunderous silence in the Christian world. The pattern of increased violence has been unmistakable. Last December 21, a school for nuns was torched. During the first week in March, there was an attempt to break through the wall of the Carmelite monastery, followed by a break-in at a Christian school. On March 3 vandals desecrated Bethlehem's Greek Orthodox cemetery, removing crosses and disinterring and mutilating corpses ..."

La Terra Sancta (A Vatican publication, dated 1991): "The Christians are abandoning the Middle East ... [although] the Jewish presence has alarmed the Arabs ... more than anything else, the commercial, cultural and technological contacts of recent years have caused a confrontation between Western civilisation and Middle Eastern culture, or, as is commonly known, Islamic culture against Judeo-Christian."

The Jerusalem Post (May 6, 1994): In April 1994, Israel's Hebrew press reported that Christian Arabs had accused activists of Arafat's Fatah faction of the PLO of harassing Franciscan nuns in the Aida convent near Bethlehem. One nun described as a "reign of terror" the behaviour of the activists, who allegedly regularly invaded the convent, vandalised graves, destroyed equipment and painted graffiti.

CNN (December 20, 1995): "Today, Bethlehem is a predominantly Muslim town. At Friday prayers, they spill into Manger Square [the traditional site of Jesus' birth], so crowded are the mosques. Christians complain they're publicly harassed and harangued for their faith. The Christian cemetery has been desecrated and vandalised ... this Christian boy said the Muslims are fascists, bad people. Muslim families of 10 and 12 children leave smaller Christian families awash in an Islamic sea, afraid they will be overwhelmed by the refugee camps and Muslim villages around Bethlehem. Many of the town's Christians are afraid to talk openly now."

The Times (London, December 22, 1997): "Life in [PA-ruled] Bethlehem has become insufferable for many members of the dwindling Christian minority. Increasing Muslim-Christian tensions have left some Christians reluctant to celebrate Christmas in the town at the heart of the story of Christ's birth".

What can we do to help these Christians?

"only a Jewish-Christian alliance will be able to ensure the survival for both the Jews and the Christians in the Middle East"

- Professor Walid Phares, president of the World Lebanese Organisation

2.33 Fighting for their survival - A Christian Exodus from the Arab World

By Amira El Ahl, Daniel Steinvorth, Volkhard Windfuhr and Bernhard Zand

Violence, terrorism and the Islamists' growing influence pose a threat to Christianity in the Middle East. In some countries, members of an unpopular Christian minority are already fighting for their survival -- or fleeing for their lives.

In New Baghdad, the driver of a minibus, a Shiite named Ali, set out at 7 a.m. on the last Sunday before Christmas. A few hours earlier he had received a call on his mobile phone with instructions to pick up five passengers for a long trip outside the city. His first passenger, he had been told, would tell him who the other passengers were and what their destination would be. He was also told not to mention a word to anyone.

The first passenger was a 24-year-old man named Raymon, who was sitting on his suitcase a few blocks away. He directed Ali through the city's dreary east side, where having a Shiite as a driver is a smart move -- first to the Karrada district, where Amir and Fariz boarded the bus, and then to Selakh, where Wassim and Qarram were waiting. By 9 a.m., Ali had picked up all of his passengers and the bus left Baghdad and began traveling to the northeast -- for the 350-kilometre (218-mile) journey to Kurdistan, the only part of Iraq that is anything close to safe.

The five young men traveling in Ali's red Kia were the last seminary students at the Chaldean Catholic Babel College to leave Baghdad. Four priests have been abducted since mid-August, and two others were murdered. Father Sami, the director of the seminary, was kidnapped in early December. The community managed to raise \$75,000 to buy his freedom, but after hesitating for weeks, Emmanuel III, the Chaldean patriarch, decided to withdraw the teaching institutions of his community from Baghdad. He ordered the evacuation of the city's four Catholic churches, the Hurmis monastery and the college in the city's Dura neighbourhood, but chose to remain behind in the city as the lonely shepherd of a rapidly shrinking congregation.

A history that traces back to the Ottoman Empire

Present-day Iraq was still part of the Ottoman Empire when Iraq's Catholics opened their first priest seminary. They moved it from Mosul to Baghdad 45 years ago and, in 1991, untouched by then dictator Saddam Hussein's regime, they founded the Babel College for Philosophy and Theology in Dora. It would only exist there for 15 years, a flicker in the history of the Chaldean people. "I don't know when or whether we will ever return," says Bashar Varda, the man Father Sami has entrusted with running the seminary.

Christians have lived in the Arab world for the past 2,000 years. They were there before the Muslims. Their current predicament is not the first crisis they have faced and, compared to the massacres of the past, it is certainly not the most severe in Middle Eastern Christianity. But in some countries, it could be the last one. Even the pope, in his Christmas address, mentioned the "small flock" of the faithful in the Middle East, who he said are forced to live with "little light and too much shadow," and demanded that they be given more rights.

There are no reliable figures on the size of Christian minorities in the Middle East. This is partly attributable to an absence of statistics, and partly to the politically charged nature of producing such statistics in the first place. Lebanon's last census was taken 74 years ago. Saddam Hussein, a Sunni who is himself part of a minority, was fundamentally opposed to compiling denominational statistics. In Egypt the number of Christians fluctuates between five and 12 million, depending on who is counting.

Given the lack of hard numbers, demographers must rely on estimates, whereby Christians make up about 40 percent of the population in Lebanon, less than 10 percent in Egypt and Syria, two to four percent in Jordan and Iraq and less than one percent in North Africa. But the major political changes that are currently affecting the Middle East have led to shrinking Christian minorities. In East Jerusalem, where half of the population was Christian until 1948, the year of the first Arab-Israeli war, less than five percent of residents are Christian today. In neighbouring Jordan, the number of Christians was reduced by half between the 1967 Six Day War and the 1990s. There were only 500,000 Christians still living in Iraq until recently, compared to 750,000 after the 1991 Gulf War. Wassim, one of the seminary students now fleeing to Kurdistan, estimates that half of those remaining Christians have emigrated since the 2003 US invasion, most of them in the last six months.

Greater affluence

Demographics have accelerated this development. Christians, often better educated and more affluent than their Muslim neighbours, have fewer children. Because the wave of emigration has been going on for decades, many Middle Eastern Christians now have relatives in Europe, North America and Australia who help them emigrate. Their high level of education increases their chances of obtaining visas. Those who leave are primarily members of the elite: doctors, lawyers and engineers.

But there are deeper-seated reasons behind the most recent exodus: the demise of secular movements and the growing influence of political Islam in the Middle East.

It was a Syrian Christian, Michel Aflaq, who founded the nationalist Baath movement in 1940, a career ladder for Iraqi Christians until 2003 and still a political safe haven for many Syrian Christians today. Former Egyptian President Gamal Abd al-Nasser had no qualms about paying homage to the Virgin Mary, who supposedly appeared on a church roof in a Cairo suburb after Egypt's defeat in its 1967 war with Israel. And former Palestinian President Yasser Arafat, who died in 2004, insisted on sitting in the first row in Bethlehem's Church of the Nativity during the annual Christmas service.

But those days are gone. The last prominent Christians -- Chaldean Tariq Aziz, Saddam's foreign minister for many years, and Hanan Ashrawi, Arafat's education minister -- have vanished from the political stage in the Middle East. And since the election victories of the Muslim Brotherhood in Egypt and Hamas in the Palestinian Authority, the rise of Hezbollah in Lebanon and the bloody power struggles between Sunni and Shiite militias in Iraq, the illusion that Christian politicians could still play an important role in the Arab world is gone once and for all.

Part 2: A history of discrimination

Egypt's Coptic Christians, numbering at least 5 million, are by far the Middle East's largest Christian minority. The Coptic Christian Church, which dates back to St. Mark the Evangelist, begins its calendar in 284 A.D., the high point of Roman persecution of Christians. Its spiritual leader is the 83-year-old Pope Shenouda III.

Coptic activists have been complaining about discrimination at the hands of the Egyptian state for years. Yussuf Sidham, editor-in-chief of *Watani*, a Coptic weekly newspaper, says that unlike the 1970s, there is little open violence between Muslims and Christians today. "Instead," he continues, "we are now struggling against the sick ideas of Islamic fundamentalists. There is an ever-widening gap between liberal and fundamentalist forces."

When Egyptians elected a new parliament in 2005, the ruling National Democratic Party included only two Copts on its list of 444 candidates -- and today only one cabinet member, the finance minister, is a Coptic Christian. Sidham faults the party for promoting this way of thinking. "The party says that candidates were elected because of their religious affiliation. Copts stand less of a chance. So why put forward Copts as candidates in the first place?"

This sort of persecution is nothing new in Egypt. When Napoleon's troops advanced into the Nile delta in 1798 and occupied Egypt, they noticed strange customs. Coptic women were required to wear one blue and one red shoe. The men were permitted to ride on horseback, but only facing backwards. The French quickly realised that the Copts were subjects "de troisième classe" -- third-class citizens. Some continue to feel that way today.

When Christians apply for an identification card in Egypt, they are occasionally registered as Muslims -- without their knowledge. Once the record is official, it can take up to a dozen visits to the relevant government agency to amend the entry.

For decades, obtaining a permit to build a new church in Egypt was a true test of patience for Coptic Christians. Under an archaic Egyptian law from the Ottoman days, no

less than the president's approval was required for a project as insignificant as repairing a church roof. Hosni Mubarak, the current president, only abolished the law last year.

Coptic women who work for the government and refuse to wear a headscarf are routinely harassed, as are Coptic men who find themselves working for the wrong company. A 31-year-old employee of a major American software company says that his boss faces daily harassment. His problem, says the employee, is not that he is a poor supervisor, but simply that he is a Copt.

Life is even more difficult for the estimated 100 Egyptian Muslims who convert to Christianity each year. Violence erupted in Alexandria in October 2005 after a play was performed about a Copt who regrets his conversion to Islam. A number of Muslim demonstrators were killed and a church was damaged. Abandoning one's faith is a serious crime in the eyes of most Muslims. But for Christians who want to convert to Islam, the government has even introduced a streamlined procedure. About 1,000 Copts convert to Islam each year.

Trouble for Lebanon's Maronites

When Christian missionaries were about to embark on a mission to convert the Saracens, St. Francis of Assisi told them: "The Lord says: Behold I send you forth as sheep in the midst of wolves. Begin neither quarrels nor disputes." Nothing could be further from the thoughts of Nasrallah Sfeir, 86, than to preach about missionary work. Sfeir, the patriarch of the Maronites, Lebanon's largest Christian community, faces an entirely different problem: His flock is abandoning him.

Sfeir shuns the bustling streets of Beirut, choosing instead to reside in a magnificent sandstone palace in the Cedar Mountains, where he lived in the summer during the war with Israel. He is still wrestling with the consequences today. Sfeir is both a religious leader and a politician. Black limousines are regularly parked in front of his estate, mainly those of wealthy Christians seeking the patriarch's religious and political advice.

His visitors enter a long hall lined on both sides with ornamental wooden benches. The Maronite patriarch sits beneath a portrait of Pope John Paul II. He looks tired, as an advisor whispers into his ear. Then the old man speaks, quietly but clearly and with sharp language. He criticises Iran and Syria for abusing Lebanon as a proxy battlefield, and Hezbollah for having established, with Iran's help, a state within a state. These things are unacceptable, says Sfeir. "We are the smallest and weakest state in the Arab world!"

The patriarch's voice is melancholy as he discusses the consequences of political upheaval, especially the growing numbers of Christians now leaving Lebanon. According to Maronite church leaders, more than 730,000 emigrated during the Lebanese civil war from 1975 to 1990, with another 100,000 abandoning the country this past summer.

According to Sfeir, other Christian denominations, including the Greek Orthodox, Greek Catholic and Armenian Christian communities are also dwindling, leading to a decline in Christian political influence in Lebanon. "It is unlikely," says Sfeir, "but if Hezbollah were to assume power one day, the Christians in this country would emigrate in even greater numbers."

If that happened Lebanon, traditionally a safe haven for minorities, would lose one of its oldest religious communities. In the ninth century the Maronites, whose name is derived from St. Maron, a Syrian monk, fled into the mountains of Lebanon to escape Muslim persecution, and in the 12th century they joined the Roman Catholic Church.

"We even survived the Crusades," says the patriarch. "Now the war is driving people away. They are losing hope. But we have also seen the opposite taking place. We have had Christian heads of state in Lebanon since the 1940s -- the first time this has happened in four centuries -- and our Muslim fellow citizens have had no objections."

Sfeir is referring to Lebanon's fragile proportional system of government, under which the president must be a Christian, the prime minister a Sunni and the speaker of parliament a Shiite. But the system, put in place in 1943, has long since been rendered obsolete by demographics. Sfeir senses that the political balance of power has also changed -- and does not favor Christians.

Hope in Syria and Iraq's Turkish Autonomous Zone

Many Christians currently see a ray of hope in neighbouring Syria. Since the fall of Baghdad, the regime in Damascus, isolated by the United States, has taken in many thousands of Iraqi refugees. In doing so, it has demonstrated to the West the long-forgotten merits of the Arab nationalist Baath Party's non-denominational doctrine. "Nobody here cares whether we are Sunnis, Shiites or Christians," says Farid Awwad, a souvenir vendor who fled Iraq.

Awwad's 12-year-old daughter was killed in an attack on a Chaldean church in Baghdad two years ago. "No one can take away our pain," he says. "But at least we can live here, where we are treated like brothers."

The number of Christians within the Syrian Baath Party organisation is disproportionately high, although most are non-practicing. Their presence in government service, including the military and intelligence agencies, is unprecedented in the Arab world. President Bashar Assad recently opened a conference of Arab law associations under the motto: "The fatherland is for everything, but religion is a matter for God" -- words that would be alienating if not impossible in countries with a stronger Islamic influence. In Saudi Arabia, for example, which has no Christian minority of its own but employs tens of thousands of Christian guest workers from the Indian subcontinent and Africa, Christian church services are banned and punishable with severe penalties. Bibles and crucifixes are routinely confiscated. The Wahhabite religious police, the Muttawah, have even been known to raid private religious services.

Other Gulf states are more liberal, although religious freedom in the Western sense is virtually nonexistent in Qatar, Kuwait and the United Arab Emirates. The Islamist opposition in Damascus, especially the banned Muslim Brotherhood, disparages the country's unpopular Christians as "worshippers of a godless regime."

There is only one other region of the Middle East where Christians enjoy freedoms comparable to those in Syria: the Kurdish Autonomous Zone in northern Iraq.

Several Christian parties recently introduced an unusual bill in the regional parliament in Arbil, the Kurdish capital. They proposed the establishment of a Christian autonomous zone in the eastern portion of the Iraqi province of Nineveh, the traditional homeland of Assyrian Christians and now partly controlled by Kurdish Peshmerga fighters. Under the bill, the Chaldean, Syrian and Assyrian Christian minorities would be granted official status under the constitution -- first by the Kurdish regional parliament and then by the National Assembly in Baghdad.

The plan, which is everything but Christian folklore, has a good chance of succeeding. Units of the 750-member Hamdaniyah Brigade -- a Christian militia that defends its churches with the same tactics Sunni and Shiite militias use in central Iraq to defend their mosques -- are already patrolling the streets of Bartalla, a fast-growing Christian

settlement 20 kilometres (12 miles) east of Mosul, the violence-ridden provincial capital. Bearded men wielding Kalashnikovs stand guard at a barrier in front of the town's Syrian Orthodox Church of the Virgin Mary. Photography is strictly forbidden.

"What else can we do?" asks Ghanem Gorges, the 43-year-old mayor of Karamlis, a Chaldean village a few kilometres south of Bartalla. Armed men, presumably mujahedeen from nearby Mosul, forced their way into the village four times this fall. Two weeks ago they kidnapped and murdered Shakib Paulus, a 25-year-old crane operator, whose body was found on the street in Arbil a few days later.

Anyone wishing to attend services at St. Peter's Cathedral in Arbil must first pass a guard carrying an automatic pistol. A huge new building, to be used as a dormitory for the Babel College students who fled Baghdad, was dedicated at Christmas on the cathedral grounds, which are surrounded by a tall fence.

At this year's Christmas service, Pastor Sisar did not deliver his sermon in Aramaic, the old church language of northern Iraq's Christians, as is customary in Arbil. This time the mass was held in Arabic, because, like the pastor, the 400 men and women attending the service are all from Baghdad.

Sisar ended his sermon with the words "Barakat Allah aleikum" -- "May the blessing of the Lord be with you."

2.34 Converts in the Muslim world

Converts from Islam to Christianity are often hunted in the Muslim world, where virtually all religious authorities agree that such individuals deserve death. Muhammad himself commanded such a punishment: "Whoever changed his Islamic religion, then kill him." This is still the position of all the schools of Islamic jurisprudence, although there is some disagreement over whether the law applies only to men, or to women also.

At Cairo's Al-Azhar University, the most prestigious and influential institution in the Islamic world, an Islamic manual certified as a reliable guide to Sunni Muslim orthodoxy states: "When a person who has reached puberty and is sane voluntarily apostatises from Islam, he deserves to be killed." Although the right to kill an apostate is reserved in Muslim law to the leader of the community and other Muslims can theoretically be punished for taking this duty upon themselves, in practice a Muslim who kills an apostate needs to pay no indemnity and perform no expiatory acts (as he must in other kinds of murder cases under classic Islamic law). This accommodation is made because killing an apostate "is killing someone who deserves to die."

IslamOnline, a website manned by a team of Islam scholars headed by the internationally influential Sheikh Yusuf al-Qaradawi, explains, "If a sane person who has reached puberty voluntarily apostatises from Islam, he deserves to be punished. In such a case, it is obligatory for the caliph (or his representative) to ask him to repent and return to Islam. If he does, it is accepted from him, but if he refuses, he is immediately killed." And what if someone doesn't wait for a caliph to appear and takes matters into his own hands? Although the killer is to be "disciplined" for "arrogating the caliph's prerogative and encroaching upon his rights," there is "no blood money for killing an apostate (or any expiation)" – in other words, no significant punishment for the killer.

An Afghan named Abdul Rahman knows all this well. In February 2006, he was arrested for the crime of leaving Islam for Christianity. The Afghan Constitution stipulates that "no law can be contrary to the beliefs and provisions of the sacred religion of Islam." Even after his arrest, Western analysts seem to have had trouble grasping the import of this provision. A "human rights expert" quoted by the Times of London summed up confusion widespread in Western countries: "The constitution says Islam is the religion of Afghanistan, yet it also mentions the Universal Declaration of Human Rights, and Article 18 specifically forbids this kind of recourse. It really highlights the problem the judiciary faces."

But in fact there was contraction. The Constitution may declare its "respect" for the Universal Declaration of Human Rights, but it also says that no law can contradict Islamic law. The Constitution's definition of religious freedom is explicit: "The religion of the state of the Islamic Republic of Afghanistan is the sacred religion of Islam. Followers of other religions are free to exercise their faith and perform their religious rites **within the limits of the provisions of law**" [*My emphasis*].

The Islamic death penalty for apostasy is deeply ingrained in Islamic culture -- which is one reason why it was Abdul Rahman's own family that went to police to file a complaint about his conversion. Whatever triggered their action in 2006, they could be confident that the police would receive such a complaint with the utmost seriousness.

After an international outcry, Abdul Rahman was eventually spirited out of Afghanistan to relative safety in Italy. Despite the publicity, his case was hardly unique.

Source:

<http://www.aina.org/reports/mpoc.pdf>

2.35 Text book Jihad in Egypt

By Andrew G. Bostom

A "mock beheading" video located at radical Sheikh Abu Hamza's website (www.shareeah.org), which featured three young Muslim boys who pretended to behead a fourth[1], has elicited the appropriate public revulsion. But little fanfare, let alone outrage, has accompanied the release of a detailed study of Egyptian children's textbooks, whose inculcation of anti-infidel hatred is potentially far more damaging[2]. For example, explicit sanctioning for jihad-related beheadings is provided in a seemingly pedestrian manner:

"Studies in Theology: Tradition and Morals, Grade 11, (2001) pp. 291-92

...This noble [Qur'anic] Surah [Surat Muhammad]... deals with questions of which the most important are as follows: 'Encouraging the faithful to perform jihad in God's cause, to behead the infidels, take them prisoner, break their power, and make their souls humble - all that in a style which contains the highest examples of urging to fight. You see that in His words: "When you meet the unbelievers in the battlefield strike off their heads and, when you have laid them low, bind your captives firmly. Then grant them their freedom or take a ransom from them, until war shall lay down its burdens.'"

"Commentary on the Surahs of Muhammad, Al-Fath, Al-Hujurat and Qaf, Grade 11, (2002) p. 9

When you meet them in order to fight [them], do not be seized by compassion [towards them] but strike the[ir] necks powerfully.... Striking the neck means fighting, because killing a person is often done by striking off his head. Thus, it has become an expression for killing even if the fighter strikes him elsewhere. This expression contains a harshness and emphasis that are not found in the word "kill", because it describes killing in the ugliest manner, i.e., cutting the neck and making the organ - the head of the body - fly off [the body].'

Although chilling to our modern sensibilities, particularly when being taught to children, these are merely classical interpretations of the rules for jihad war, based on over a millennium of Muslim theology and jurisprudence[3]. And the context of these teachings is unambiguous, as the translator makes clear:

"[the] concept of jihad is interpreted in the Egyptian school curriculum almost exclusively as a military endeavor? it is war against God's enemies, i.e., the infidels? it is war against the homeland's enemies and a means to strengthening the Muslim states in the world. In both cases, jihad is encouraged, and those who refrain from participating in it are denounced."

Teaching Egyptian school children anti-infidel jihad hatred is clearly a long, ongoing, and ignoble tradition even within the modern era. As the scholar E. W. Lane reported after several years of residence in both Cairo and Luxor (initially in 1825-1828, then in 1833-1835):

"I am credibly informed that children in Egypt are often taught at school, a regular set of curses to denounce upon the persons and property of Christians, Jews, and all other unbelievers in the religion of Mohammad"[4].

Lane translated the prayer below from a contemporary 19th century text Arabic text, containing a typical curse on non-Muslims, recited daily by Muslim schoolchildren:

"I seek refuge with God from Satan the accursed. In the name of God, the Compassionate, the Merciful. O God, aid El-Islam, and exalt the word of truth, and the faith, by the preservation of thy servant and the son of thy servant, the Sultan of the two continents (Europe and Asia), and the Khakan (Emperor or monarch) of the two seas [the Mediterranean and Black Seas], the Sultan, son of the Sultan (Mahmood) Khan (the reigning Sultan when this prayer was composed). *O God, assist him, and assist his armies, and all the forces of the Muslims: O Lord of the beings of the whole world. O God, destroy the infidels and polytheists, thine enemies, the enemies of the religion. O God, make their children orphans, and defile their abodes, and cause their feet to slip, and give them and their families, and their households and their women and their children and their relations by marriage and their brothers and their friends and their possessions and their race and their wealth and their lands as booty to the Muslims: O Lord of the beings of the whole world.*" [5]

The seminal modern scholar of Islamic civilisation, S.D. Goitein, warned more than a century later, in 1949, speaking of the Arab world generally, in particular Egypt:

"Islamic fanaticism" is now openly encouraged. Writers whose altogether Western style (was mentioned earlier) have been vying with each other for some time in compiling books on the heroes and virtues of Islam. What has now become possible in educated circles may be gathered from the following quotation from an issue of the "New East", an Arab monthly periodical describing itself as the organ of the academic youth of the East:

Let us fight fanatically for our religion; let us love a man-because he is a Muslim; let us honour a man- because he is a Muslim; let us prefer him to anyone else-because he is a Muslim; and never let us make friends with unbelievers, because they have nothing but evil for us[6].

And a decade later, in 1958, Lebanese Law Professor Antoine Fattal, perhaps the greatest scholar of the legal condition of non-Muslims living under the Shari'a, lamented:

"No social relationship, no fellowship is possible between Muslims and dhimmis... *Even today, the study of the jihad is part of the curriculum of all the Islamic institutes. In the universities of Al-Azhar, Nagaf, and Zaitoune, students are still taught that the holy war is a binding prescriptive decree, pronounced against the Infidels, which will only be revoked with the end of the world...*"

Sadly, almost fifty years after Fattal made his observations, the sacralised hatred of jihad is still being inculcated as part of the formal education of Muslim youth in Egypt, the most populous Arab country, and throughout the Arab Muslim, and larger non-Arab Muslim world. We in the West must press our political and religious leaders to demand that such bellicose, hate-mongering "educational" practices be abolished in Islamic nations, under threat of severe, broad ranging economic sanctions.

Sources:

<http://www.andrewbostom.org/loj//content/view/23/27/>

1. Muslim kids stage mock beheading http://www.wnd.com/news/article.asp?ARTICLE_ID=39145
2. Jews, Christians, War and Peace in Egyptian School Textbooks <http://www.edume.org/reports/13/toc.htm>
3. Bostom, Andrew. Treatment of POWs. FrontPageMagazine.com, March 28, 2003.

- <http://www.frontpagemag.com/Articles/ReadArticle.asp?ID=6929> Boston, Andrew. The Sacred Muslim Practice of Beheading. FrontPage Magazine.com, May 13, 2004.
- <http://www.frontpagemag.com/Articles/ReadArticle.asp?ID=13371>
4. Lane, E.W. An Account of the Manners and Customs of the Modern Egyptians, New York, 1973, p. 276.
 5. Lane, E.W. Modern Egyptians, p. 575.
 6. Goitein, S.D. Commentary, January 1949, "Cross-Currents in Arab National Feeling", p. 161.
 7. Fattal, Antoine. Let Statut Legal de Musulmans en Pays' d'Islam, Beirut, 1958; pp. 369, 372

2.36 The Afghan-Bosnian Mujahideen Network in Europe

By Evan F. Kohlmann

Introduction

Over the last two years, as a result of major terrorist attacks in Madrid and London, European leaders have finally become aware of a lurking extremist threat that has been brewing in dark corners across the continent for almost two decades. Western European democracies—many of whom thought that they were insulated from the threat of organised international terrorism—are discovering growing numbers of disaffected Muslim youth, hardened by scenes of televised bloodshed in the Middle East and the unwelcoming demeanor of some “native” Europeans. Frustrated by a perceived lack of social or political mobility, these men eventually become ideal recruits for the growing network of “pan-European mujahideen.”

However, to fully understand the current mujahideen phenomenon in Europe, one must first recognise its proper origins. Ironically, the flourishing of local Muslim extremist movements during the 1990s came primarily not as a result of Usama Bin Laden’s progress in Sudan and Afghanistan—but, arguably, rather due to a Muslim conflict much closer to the heart of Europe. Indeed, some of the most important factors behind the contemporary radicalisation of European Muslim youth can be found in Bosnia-Herzegovina, where the cream of the Arab mujahideen from Afghanistan tested their battle skills in the post-Soviet era and mobilised a new generation of pan-Islamic revolutionaries. When I spoke to Al-Qaida recruiter Abu Hamza al-Masri in London in 2002, he tried to explain to me the mindset of the first volunteers who came to Bosnia at the start of the war in 1992: “People are dedicated to the [religion]... They went to Afghanistan to defend their brothers and sisters. So, they find Afghanistan now, the destruction of war and Muslims fighting against each other.” As a result, in the aftermath of the Afghan jihadi debacle, “they want to [struggle against] something that is indisputable, which is non-Muslims raping, killing, and maiming Muslims.”[1] The Bosnian conflict was cynically offered by jihad recruiters to desperate youths in many European capitals as a chivalrous escape from the drudgery of their own boring urban lives. Yet even some of the smartest and most promising members of the European Muslim community were sucked into this bizarre netherworld. “Abu Ibrahim”, a 21-year old medical student from London at Birmingham University, took a break during training in Bosnia to be interviewed for a jihad propaganda video. Brandishing an automatic weapon, he scoffed:

“When you come here, people they think, ‘when you go into Bosnia you are sitting around and there are shells coming down and they are firing everywhere around you.’ They don’t know that we sit here and we have kebab. They don’t know that we have ice cream and we have cake here. They don’t know that we can telephone or fax anywhere in the world. They don’t know that this is a nice holiday for us where you meet some of the best people you have ever met in your life. People from all over the world, people from Brazil, from Japan, from China, from the Middle East, from America, North, South, Canada, Australia, all over the world you meet people.”[2]

Beyond its propaganda value, Bosnia's unique geographic position directly between Western Europe and the Middle East was the ideal jumping-off point for organisational expansion of various Muslim extremist movements into the United Kingdom, Italy, France, and even Scandinavia. Bosnia provided an environment where trained foreign Muslim fighters arriving from Afghanistan could mingle with unsophisticated but eager terrorist recruits from Western Europe, and could form new plans for the future of the jihad. No such contact had ever occurred before for groups like Al-Gama'at al-Islamiyya and Al-Qaida, and it provided these organisations limitless possibilities for development and growth. After fighting for six months during the opening stages of the Bosnian war in 1992, Saudi Al-Qaida commander Abu Abdel Aziz "Barbaros" told journalists during a fundraising trip to Kuwait, "I have come out of Bosnia only to tell the Muslims that at this time this offers us a great opportunity... Allah has opened the way of jihad, we should not waste it... This is a great opportunity now to make Islam enter Europe via jihad. This can only be accomplished through jihad. If we stop the jihad now we will have lost this opportunity." [3]

For their part, the European radicals inducted into the ranks of the foreign mujahideen in Bosnia were equally eager to make themselves useful. Babar Ahmad—a British Muslim currently awaiting possible extradition to the United States to face charges of running an Al-Qaida support cell in London—boasted in an early jihadi audiotape that the contributions of the new European mujahideen were "instrumental":

"[I]nstrumental... not just to the jihad in Bosnia, but the world-wide jihad, for what they managed to achieve. And you think this is an exaggeration, but by the hands of the brothers they did many things that you wouldn't believe. Books were translated and produced, in the front-lines, because you had the English brothers that could speak English and the Arab brothers that could speak Arabic and a bit of English, and they go together and translated books about Jihad. Now, these books are guiding other brothers back to the Jihad again. They've computerised whole computer networks because of their computer knowledge." [4]

From the moment the war in Bosnia-Herzegovina began in 1992, the Bosnian Muslim government secretly tracked the arrival of foreign volunteers from Europe seeking to wage a jihad, or "holy struggle", against the Christian Serbs and Croats. According to ARBiH military intelligence documents, "the channels for their arrival in [Bosnia] went through the Republic of Croatia, majority of them came from Western Europe and Great Britain and they have the passports from these countries. According to the operative information from the State security service, a large number of these people were recruited and transported to the BiH area through... London and Milan, and there are some indications that some individuals also came through Frankfurt and Munich." [5] A second document from Bosnian Muslim military intelligence detailing the infrastructure of the foreign mujahideen brigade lists the names of prominent individual jihad financiers and recruiters based in Zagreb, London, Vienna, Milan, and Torino. [6]

The Bosnians also noticed something else about their new would-be European Muslim allies: while some genuinely sought to defend innocent Muslims, others were fleeing to Bosnia after being "expelled from their [home] countries for various reasons and they cannot return there." [5] ARBiH memoranda suggest that the Bosnian Muslim military regarded mujahideen arriving from Afghanistan and the Middle East as potentially useful, but reserved a much more skeptical attitude towards some of their idealistic and irreverent young comrades who hailed from various capitals of Western Europe. In a report written in September 1994, sources within the ARBiH Security Service Department warned that "their not providing their personal data is most probably due to possible links with [intelligence services] or having committed criminal offenses in

their countries of origin, for in case their countries learnt about their stay here, they would demand their extradition.”[8] A second analytical report from the ARBiH Military Security Service issued in May 1995 further noted that, “a significant number of these persons [who] entered in our country are from some West European countries and they have the citizenships and passports from those countries... After the arrival in our country, these persons are hiding their identity and as members of the unit ‘El Mudzahedin’ they submit the requests to enter the BiH citizenship... because they are the persons from the Interpol wanted circulars.”[5]

One of the European mujahideen cited in particular by the Bosnian Muslims for his thuggish behaviour was “Abu Walid”, a medic “originally from France” who reportedly seized control of a local hospital in Zenica in July 1994 with weapons drawn and “harassed the medical staff there. Simultaneously, outside the... Center, there were ten armed members of ‘El-Mujahidin’ Unit.”⁸ Within months of being discharged of his duties with the foreign mujahideen in Bosnia-Herzegovina, Abu Walid—better known as French Muslim convert Christophe Caze—went on to lead an infamous Algerian Armed Islamic Group (GIA) terrorist network based in northern France known as the “Roubaix Gang.”[11] Caze was eventually killed during a suicidal highway battle with local police near the Belgian border as he fled French counter-terrorism investigators in mid-1996.

Even the mujahideen themselves were critical of some of the hotheaded European volunteers recruited by Syrian Imad Eddin Barakat Yarkas (a.k.a. Abu Dahdah) in Madrid, Spain for the purpose of waging jihad in Bosnia. When Barakaat telephoned a mujahideen training camp in Zenica in November 1995 to check on his new crop of students, the personnel director at the camp picked up the line and “complain[ed] about the young men who had been sent by Barakat to the camp.”[12] Yarkas was finally arrested by Spanish authorities in 2001 and sentenced to a 27-year jail term for providing substantial logistical support to, among others, the 9/11 suicide hijackers dispatched by Al-Qaida.[13]

However, while the new European faces among the mujahideen may have caused consternation in some Bosnian government circles, generally speaking, the foreign terrorist organisations active in the region (primarily Al-Qaida, Al-Gama’at al-Islamiyya, and the GIA) were pleased to benefit from the situation and use the Bosnian war as a massive engine for recruitment and financing. In December 1995, these terrorist commanders further profited from NATO’s interest in expelling the foreign mujahideen from Bosnia. Hundreds of veteran fighters, accused of brutal wartime atrocities and expertly trained in urban warfare, were readily granted political asylum in a collection of European countries, Australia, and Canada. It was a devious tactic that allowed nefarious groups like the GIA to infiltrate several Western European nations with highly skilled and motivated terrorist sleeper cells. A French report written by French counterterrorism magistrate Jean-Louis Bruguière later concluded that the “exfiltration” of significant numbers of veteran fighters from Bosnia was beneficial in the sense that it enabled the mujahideen “to be useful again in spreading the Jihad across other lands.” In fact, as Bruguière noted in his report, “among the veterans of the ‘Moudjahiddin Battalion’ of Zenica, many would go on to carry out terrorist acts following the end of the Bosnian conflict.”[14]

The United Kingdom

Despite its relatively high standard of living and social equality, the United Kingdom has been and remains one of the most active bases of radical Islam across Western Europe. Certainly, it can be said that the Iranian revolution and the war in Afghanistan together started the ball rolling for the Sunni British fundamentalist movement. However, their ideas did not begin to have a wide appeal among local Muslim youths until the era of Bosnia-Herzegovina. When scenes of devastation and war crimes

began to air on BBC television broadcasts, many British Muslims were shocked that such horrific events could take place in the context modern Europe without any Western intervention. It gave sudden and unexpected credence to the calls of violent radicals who suggested it was time for Muslims to start taking their personal security into their own hands. Dr. Zaki Badawi, the principal (at that time) of the Muslim College in London, acknowledged in early 1992, "Bosnia has shaken public opinion throughout the Muslim world more deeply than anything since the creation of Israel in 1948." [15]

The Bosnian war caused a particularly strong backlash in the outspoken circles of indignant British Muslim college students. These educated and idealistic youths angrily protested against the persecution of fellow Muslims in Bosnia. One student, a classmate of several men who had left to seek training in Afghanistan and Bosnia, saw nothing wrong with taking up arms against the "enemies of Islam": "You cannot turn a blind eye when Muslims are being massacred, because what will you do when it is happening on your doorstep?"¹⁶ Inside Bosnia, the 21-year old Londoner "Abu Ibrahim" criticised the "hypocrites" among his peers back in Britain who swore revenge on the Serbs and Croats, yet were too afraid to join the jihad in Bosnia:

"...what we lack here is Muslims that are prepared to suffer and sacrifice. There in Britain, I see Muslims, every medical student is saying that my third year is for Islam, my third year is for the Muslims. They get their job, they get their surgery. 50, 60, £70,000 a year they're earning. And then, no struggle, no sacrifice." Abu Ibrahim spoke of the intense sense of satisfaction he felt fighting in the Bosnian war, as compared to the apathy of the secular Muslims who remained in London. In Britain, "I watch the TV and tears roll down my face when I see the Muslims in Bosnia, Muslims in Palestine, Muslims in Kashmir. And then I come [to Bosnia] and you feel a sense of satisfaction. You feel that you are fulfilling your duty. You feel that you are doing what the Prophet and his companions done[sic] 1400 years ago." [17] Another British recruit from south London featured on the same Bosnia jihad video sneered, "this is what they like to do in England, they like to talk, they like to talk, they like to organise... big conferences... in the London Arena... and they make a nice conference... Then, after the talk, they go back home and they sleep. They carry on watching 'Neighbours'... They carry on watching 'Coronation Street'... What life is this? These people talk too much... You want to see true Muslims, with unity, come to this place, and then you'll see." [17]

Even those who remained behind in the United Kingdom did their part to help the cause of the mujahideen. Young activists in the fundamentalist Muslim Parliament established a charity to support jihad in Bosnia that later became known as the "Global Jihad Fund" (GJF). [19] According to its later website, the GJF was established to aid "the Growth of various Jihad Movements around the World by supplying them with sufficient Funds to purchase Weapons and train their Individuals." [20] Two months after the signing of the Dayton Accords officially ending the Bosnian war, GJF administrators announced the distribution of a new brochure entitled, "Islam—The New Target": "Contents include... a reprint of an acknowledgement certificate from the Commander of the Bosnian 7th Corps to Muslim Parliament (on behalf of the fund). Why don't you get a copy or many copies of the brochure for local distribution or get a master to reprint. You and your friends could use it to increase genocide awareness and Jihad awareness in your locality." [21] Two years later, following a twin Al-Qaida suicide bombing attack on U.S. embassies in Kenya and Tanzania, the administrators of the GJF indicated that the fund was being run by Saudi Al-Qaida spokesman Mohammed al-Massari and had found a new cause célèbre in "support[ing] Sheikh Mujahid Osama bin Laden." [22] When confronted by British investigative reporters, the GJF webmaster in London admitted, "I work for two people, really... Mr. Massari and Osama Bin Laden." [23]

On the battlefield in Bosnia, British-born mujahideen recruits had a noticeable and significant impact. On June 13, 1993, a British patrol of four APC's was stopped at a roadblock near the central Bosnian town of Guca Gora. [24] A group of approximately 50

mujahideen fighters, who “looked north African or Middle Eastern,” had assembled there to intercept mobile enemy troops. The frightened British soldiers told journalists later that the foreigners had long, wispy beards, Afghan-style caps, and uniforms unlike anything worn by local Bosnian guerillas.²⁵ Though the jihadis instantly trained their rocket propelled grenade launchers and rifles at the UN vehicles, the mujahideen commander on scene—an unidentified British Muslim wearing an Afghan hat and a blue scarf over his face—addressed the British officer in charge of the patrol, Major Vaughan Kent-Payne, in perfect English and coldly reassured him, “be cool, these people won’t fire until I give them the order.”^[26]

In the summer of 1993, the British mujahideen began to suffer their first series of combat casualties, including a Muslim convert named David Sinclair. Sinclair (a.k.a. Dawood al-Brittani) was a 29-year old employee of a computer company in the UK. After suddenly converting to Islam and adopting traditional Muslim dress, Sinclair ran into problems with senior management at his company. Within a week of wearing his new clothes to work, he was reportedly terminated. Mobilised into action, he thereupon decided to travel to Bosnia-Herzegovina and to join the Islamic military organisation based there. In the midst of his training, he generously gave away his two British passports to Arab-Afghan “brothers in need.” Dawood refused to return to the UK evidently out of a determination to avoid living the life of an infidel. During deadly clashes with Croatian HVO forces, he was shot and killed near an enemy bunker.^[27]

Indeed, British Muslims were present for some of the most important ARBiH victories of the Bosnian war, including the conquest of the Vozuca region in late summer 1995. That battle, popularly known among the Arab-Afghans as “Operation BADR”, cost the lives of dozens of foreign fighters—including “Abu Mujahid” from the United Kingdom, killed on September 10, 1995. Abu Mujahid was a recent British university graduate who had finished his studies in 1993, when the Islamic community in the UK was still in an uproar over the war crimes being committed by the Serbs in Bosnia-Herzegovina. He first came to the Balkans in 1993 as a humanitarian aid worker purportedly transporting food and medicine to the embattled Muslims in central Bosnia. Abu Mujahid was using his position as charity employee as a cover for other, more illicit activities: “Over the next two years Abu Mujahid hurried back and forth between Bosnia and Britain carrying valuable supplies to the brothers there. Between trips he travelled the length of Britain reaching its smaller parts in his efforts to raise money for the cause and increase the awareness among Muslims there.” Abu Mujahid returned to Bosnia-Herzegovina in August 1995 and enlisted in a jihad training camp soon after his arrival, receiving instruction from—among others—two elite Egyptian trainers imported to the region directly from Al-Qaida-run camps along the Afghan-Pakistani border. For all his anti-Western vigor, Abu Mujahid nonetheless proudly wore a G-Shock watch and U.S. Army boots. According to his teachers, he “excelled” at shooting and throwing grenades and he insisted that he would remain in Bosnia “until either we get victory or I am martyred’... One thing which was strange about him was that he always used to say, thinking back, I remember, maybe three, four, five times a day, he would say to me that ‘Inshallah [“God-willing”] I am going to be martyred. Inshallah, this time in Bosnia, I am going to be martyred.’”^[28]

Following the initial assault during Operation BADR, Abu Mujahid disappeared in the fog of war. Over a week later, a mujahideen search party recovered his body from the battlefield. One of the men who found Abu Mujahid later recalled, “At that point, the thought that went through my mind was that the brother had been there, left behind when I was there in Bosnia and he intended to stay there longer than me. But only Allah knew what could he have done for him to die in such a beautiful way? And the thought that’s still in our minds, Inshaallah, may Allah accept it from him, and may the people who loved him in this life, Inshaallah join him in the next.” Abu Mujahid’s body was brought back down from the mountain and then taken in a van to the frontline base camp. The

lead commander present, Abu Hammam al-Najdi from Saudi Arabia, would only allow fellow British mujahideen to go inside the van to see the remains of their departed compatriot.[28]

The foreign mujahideen who survived the end of the war in 1995 grew apprehensive when they discovered that the Bosnian Muslims were about to sign the Dayton Accords—“the peace of the enemy”—with the United States and Europe. British jihadi recruits were among the voices urging their commanders to wage an apocalyptic all-out terror campaign in central Bosnia targeting Western peacekeepers, the Serbs and Croats, and even other Muslims. In a direct English-language message aimed at fellow British Muslims, one mujahid fighter appealed, “the amir [commander] of the jihad... is here. And the amir of the mujahideen here says he needs more people, and more equipment, and more everything. So for the people who are sitting at home and saying that, ‘well, they don’t need people anymore’, it’s not true, it’s not true... we need as many people and as much money and everything that people can send us to help us.”[17] One British Muslim guerilla recounted the discussions taking place at the El-Mudzahedin Unit headquarters in a propaganda audiotape:

“[W]hen the Americans came to Bosnia... the situation had developed in such a way that it seemed as if we were going to have to fight the Americans. And [commander] Abul-Harith [the Libyan], he turned to me and he said, ‘We will become an example for these Bosnians. We will fight for our belief and the lost land. Please Allah, will give us victory and we will defeat [the Americans] or they will kill us. But we will not flee, and we will be an example for the Bosnians.’”[28]

According to various accounts, on the day of December 12, 1995, several fighters had left a non-descript delivery van in the parking lot of the Zenica mujahideen base. A Bosnian police investigation later concluded that these radicals were in the final stages of “trying to rig a car bomb” when they ran into an unknown technical error, and it prematurely exploded.[32] The massive and unexpected detonation killed as many as four mujahideen bombmakers and injured several other foreigners in the area. One wounded mujahid recounted, “You could feel the explosion... like a shining light... as I was on the floor, I remember seeing the face of Abul-Harith [the Libyan] as he ran to me. And he took me and put me on the stretcher... And the building that he wanted to open, it was locked. And Abul-Harith he didn’t look for the key, he just knocked the door down and took me inside.”[28]

In this case, as reported by both Arab-Afghan and Bosnian authorities, the deceased would-be bomber was an 18-year-old British honours student from southwest London known as “Sayyad al-Falastini.” Sayyad was born in the United Kingdom but spent most of his early youth in the Kingdom of Saudi Arabia. When he returned to London at age 12, he soon became involved in the radical Islamic fundamentalist movement there that was recruiting young volunteers for jihad in Bosnia. At age 16, he first sought unsuccessfully to join the mujahideen battalion in the Balkans after hearing an inspiring Friday khutba (religious sermon) from an Arab veteran of Bosnia.[28]

However, after being elected president of the Islamic society at his college, Sayyad started to methodically plan and save his money in a fund that would finance his dreamed jihad adventure. According to the mujahideen, Sayyad possessed this instinct because he was of Palestinian descent, and therefore, there was “a background of realising the importance of Jihad in his family.” During the summer of 1995, he left London and travelled to a Bosnian mujahideen training camp, fighting alongside his fellow comrades during Operation BADR. When combat hostilities gradually came to a halt after “BADR,” many foreign volunteers began filtering out of Bosnia and returning home, including a number of British recruits. But Sayyad was not ready to leave; his first

taste of battle had exhilarated him and changed his life. Among the mujahideen, despite his young age, he was well liked and highly esteemed for his proficiency in English, Arabic, and Bosnian. Sayyad did not want the war to end, grumbling (like many of the Arabs) that the peace accords had been negotiated only "in order to halt the victories of the Mujahideen in Bosnia... For three years the world had sat back and allowed the slaughter of the Muslims to continue. But now as soon as the Muslims began to fight back and win, they ended the war." Even in light of the Dayton agreement, Sayyad stubbornly refused to leave, and he recommitted himself to keeping the Islamic jihad alive in Bosnia. In the first few days of December, as the terms of Dayton were about to become a reality, Sayyad was torn by despair as he saw his beloved combat tour coming to an inexorable end. He angrily demanded of his fellow mujahideen, "Why are we all lost? Look at the [infidels]. Are they thinking of us and then they are laughing because they have their own state. But look at us, the Muslims, we do not even have a state yet but we continue to laugh!"[28]

At this point, Sayyad started to act peculiarly, as if he was readying himself for a "martyrdom" operation. He would pray all night long and continuously recite verses from the Qu'ran. Previously, he had telephoned his mother to ask her to send some money for him to visit home. Suddenly, two days before the explosion in Zenica, he called her and told her not to wire the cash as "he would not be needing it." There is good reason to believe that Sayyad may have been preparing for an imminent role as a suicide bomber. Regardless of his intentions, on December 12, something in his plan went terribly wrong. While Sayyad stood beside the van, it prematurely detonated, shaking the entire neighbourhood and thoroughly frightening nearby Croatian civilians.[28] By the "official" count of Al-Qaida, Sayyad became the sixth British Islamic volunteer soldier killed in Bosnia only two days shy of his nineteenth birthday. He was buried in a ceremony attended "by over three hundred of the cream of the foreign Mujahideen fighters in Bosnia." [28] The Arab battalion later eulogised him:

"Sayyad was a brother who made Jihad his wealth and his life giving every penny of his wealth for the pleasure of Allah and eventually giving every drop of his blood for him. We ask Allah (SWT) to accept Sayyad as a martyr, to make him an example for the millions of youth in the West who have chosen this life in preference with the hereafter." [38]

The shadow cast by British mujahideen volunteers in Bosnia-Herzegovina continues to plague law enforcement and intelligence agencies even to this day. On September 23, 2005, 34-year old British Muslim convert Andrew Rowe was convicted and ordered jailed for 15 years by a court in the U.K. for possessing details on how to fire mortar bombs and using secret codes to facilitate terror attacks. Back during the early 1990s, Rowe dramatically changed his loose lifestyle after converting at a mosque in Regent's Park, London—an event which Rowe said "put meaning into my life." [39] Rowe admits to traveling to Bosnia-Herzegovina in 1995 on a "humanitarian" mission—in reality, acting as an envoy for the foreign mujahideen. When he returned to the U.K., he even claimed government invalidity benefits for wounds suffered during an alleged mortar attack in Bosnia-Herzegovina. In 2003, Rowe was arrested on the French side of the Channel tunnel while carrying a bound pair of socks bearing traces of TNT, plastic explosives, RDX, and nitroglycerine. According to Crown Prosecutors, the socks were likely used "to clean the barrel of a mortar or as a muzzle protector." [39] Raids on Rowe's various residences revealed coded documents with phrases such as "airline crew," "explosives," and "army base." Investigators also found video recordings of jihad in Bosnia-Herzegovina, the September 11 terrorist attacks, and Al-Qaida leader Usama Bin Laden. [39]

Italy

Perhaps more than any other nation in Europe, Italy played an overly dominant role in hosting the transnational infrastructure of the Bosnian El-Mudzahedin Unit during the mid-1990s. Italy was one of the very few Western European nations to provide a direct land route through Croatia into Muslim Bosnia, and—even prior to the conflict in the Balkans—was serving as an important hub for activity by various North African Islamic extremist groups, including: the GIA, Al Gama'at al-Islamiyya, the Egyptian Islamic Jihad, and the Tunisian An-Nahdah movement. By the time of the war in 1992-1993, forces within the influential Al-Gama'at al-Islamiyya had already designated Italy as one of three primary "support places" in Europe for its regional activities.[42]

No individual from Italy had a greater impact on the Bosnian mujahideen than former top Al-Gama'at al-Islamiyya commander in southern Europe, Shaykh Anwar Shaaban (a.k.a. Abu Abdelrahman al-Masri), the late Imam at Milan's Islamic Cultural Institute and the one-time overarching leader of Arab mujahideen forces fighting alongside the ARBiH.⁴³ Shaaban was a well-known veteran of the Afghan jihad who (like many other Arab-Afghans) in 1991 decided he no longer felt safe in Afghanistan as it collapsed into civil turmoil.[44] He sought and obtained political asylum in Italy, and was disappointed by what he found: "the Muslim community in Italy was just the same as elsewhere in Europe: asleep and busy in the worldly affairs." Aided by a collection of Afghan war veterans and Italian Islamists, Anwar Shaaban opened a major new headquarters in a converted garage in Milan. Knowledgeable mujahideen sources have praised Shaaban's efforts in Milan, and noted that Islamic Cultural Institute was "the center of much activity and it gained much popularity amongst the local Muslims." [28]

Similarly, L'Houssaine Kherchtou, a former Moroccan member of the Al-Qaida terrorist organisation, testified during the federal trial of four Al-Qaida operatives in the U.S. that Shaaban used the Islamic Cultural Institute as a critical Arab-Afghan recruiting center for young Muslim extremists living in Europe. According to Kherchtou, Shaaban had personally helped arrange Pakistani visas for him and three other mujahideen recruits who then went on to an Al-Qaida military training camp in eastern Afghanistan.[46] French counterterrorism officials concluded that the ICI in Milan, under the lead of Shaaban, served an "essential role" as a command center for a variety of North African armed militant groups including Al-Gama'at Al-Islamiyya, the Tunisian An-Nahdah, and the Algerian GIA.[47] After searching Anwar Shaaban's office at the ICI, Italian counterterrorism police concurred that the Institute was "characterised by... a constant closeness to the activities of Egyptian terrorist organisations, especially those of [Al-Gama'at al-Islamiyya], in the area of strategic and operational choices... the recruiting of mujaheddin for the Yugoslavian territories... the establishment of a European network for the connection among fundamentalist cells... [and] logistic and operational support to the armed cells active on Egyptian soil." [42]

In the summer of 1992, Shaykh Anwar Shaaban helped lead the first quasi-official Arab-Afghan delegation to arrive in Bosnia, accompanied by a number of his Italian colleagues. As the fighters themselves have testified, "Sheik Anwar was not a textbook scholar: he was a scholar who practiced what he preached and fought oppression at every level, just like the companions and the early generations of Muslims... with books in his hands and military uniform on his body. Not only did he teach but he fought as well." In one audiotape, mujahideen representatives attempt to unravel the mysterious life of Shaaban and note that "in the footsteps of Sheik Abdullah Azzam, Sheik Anwar Shaaban carried the responsibilities of the Mujahideen regiment in Bosnia... teaching, encouraging, and inspiring the fighters, laying the same foundation in Bosnia that Shaykh Abdullah Azzam laid in Afghanistan." [28]

Shaaban shuttled back and forth to his headquarters in Milan, bringing with him

to Bosnia a host of veteran fighters and new recruits. In a September 1994 fax sent to a wealthy jihad donor in Qatar, Shaaban explained that he required additional funds "to finance the purchase of camp equipment for the Bosnian mujaheddin in view of another winter spent in war in former Yugoslavia." Shaaban continued in his letter, "I'm convinced that based on today's facts, the Islamic projects in the European countries are a priority over all general Islamic projects, especially when based on what we have seen with regard to the possibility of establishing bases in these places in order to aid Muslims all over the world." [42] Undoubtedly, Shaaban hoped to use the Bosnian war to as a means to create an unassailable garrison for North African militants in Europe. One document later confiscated in Italy seemed to endorse this strategy, explaining that "Hot Islamic questions such as Bosnia... raise the ardor of young Muslims and their desire to face the inevitable." [51] Not surprisingly, many of those that Shaaban introduced to the war in Bosnia-Herzegovina became "the commanders and trainers, the cream of the Mujahideen." [28]

During their subsequent investigation of Shaaban and the ICI, Italian counterterrorism police turned up numerous pieces of evidence showing how involved Shaaban was in supporting jihad activity in nearby Bosnia. This included documents indicating that "paramilitary training activities" were "organised by the I.C.I. for those individuals who would fight on the Yugoslav territory." [42] A second undated letter from Anwar Shaaban recovered by Italian investigators details a meeting the former had in Sarajevo "with an unidentified Islamic individual who was willing to host trained Muslim guys capable of training others to use Russian and eastern firearms in order to open the door of the Jihad against Orthodox Serbs in Yugoslavia." [42] The Italians also found another handwritten sheet of paper in Arabic:

"I am sending you this film from the center of Bosnia-Herzegovina, from the land of war and the Jihad. In it there is what I succeeded in sending you, and I am very happy... In the little remembrance book there are a few pages glued together, which you must open because there are inside sections of small films that you will develop and watch... I placed the small films inside the remembrance book, between the pages, but only between some pages, not all of them... so that the Croats may not find them and cause problems for us, because they can even decapitate; when the letter arrives, develop and number them." [42]

A subsequent fax received in April 1995 confirmed that the ICI in Milan had been officially assigned the task of distributing news bulletins and conducting other "propaganda activity" on behalf of the Bosnian El-Mudzahidin Unit. [42]

Yet, almost immediately, Shaaban's mission in the Balkans strayed from its purported goal of defending innocent Bosnian Muslims. In 1993, U.S. diplomats and intelligence officials began to privately express concerns that Egyptian Islamic extremists were targeting the U.S. embassy in Albania for a potential terrorist attack. According to the CIA, "Al-Gama'at members, including... Anwar Shaban... were involved in the 1993 surveillance of the U.S. embassy in Tirana." [73] The surveillance was confirmed when a suspected militant was observed driving "repeatedly around the embassy." [58] Separately, the CIA gathered telephone intercepts that included an "apparent order from overseas instructing a Muslim-charity worker to case the embassy." [59] No successful attack was ever carried out, likely as a result of close cooperation between the CIA and Albanian security officials.

Shaaban's influence also extended to a number of other Italian fundamentalist clerics, such as Mohamed Ben Brahim Saidani, a volunteer fighter in Bosnia and Imam of a mosque on Massarenti Street in Bologna, Italy. Saidani had been one of a number of participants in a guerilla training course held in Afghanistan in 1993. Upon his return to

Italy, he quickly convinced 30 of his local followers to enlist in the foreign mujahideen brigade active in Bosnia. He founded a front company in Italy known as Piccola Societa' Cooperativa Eurocoop that provided seemingly legitimate work authorisation permits to jihadi volunteers and veterans, allowing them to travel without hindrance to different parts of the world, including Bosnia.⁶⁰ In witness testimony in the trial of conspirators convicted of involvement in the 1998 East Africa embassy bombings, Al-Qaida lieutenant Jamal al-Fadl discussed his trip to Zagreb in mid-1992, specifically how he had been instructed to meet with Mohamed Saidani so he could get "information about what's going on in Bosnia" and bring this intelligence back directly to Usama Bin Laden.^[61]

Italian law enforcement and intelligence officials grew concerned after intercepting a letter from a fundamentalist militant imprisoned in southern Italy in July 1993 discussing potential terror attacks on U.S. and French targets in the region. The seized letter appears to be one penned by Mondher Ben Mohsen Baazaoui (a.k.a. "Hamza the Tunisian"), an activist in the An-Nahdah movement and, according to an Italian police statement, "a fighter for a mujahideen unit during the ethnic conflict in Bosnia... believed to be in the front row of fundamentalist, Islamic terrorist networks."^[62] Baazaoui wrote to Mohamed Saidani (the Imam in Bologna who was on close terms with both Anwar Shaaban and Usama Bin Laden) to tell him that if his prison hunger strike did not secure his immediate release, Baazaoui would commit a "homicide operation... [to] die gloriously."^[63] He then pleaded with Saidani to avenge his death with a spectacular eulogy of terror: "All I can suggest to you is the French: leave not a child nor an adult [alive]. Work for them, they are very numerous in Italy, especially in the Tourist areas. Do what you will to them using armed robbery and murder. The important thing is that you succeed at sparking the flames that burn inside me against them, and this is to be a promise between you and me."^[64]

In November 1994, Italian authorities were even more alarmed when they learned of a new assassination plot organised by elements of the Egyptian terrorist groups Al-Jihad and Al-Gama'at Al-Islamiyya targeting Egyptian President Hosni Mubarak during a three-day diplomatic trip to Rome.^[65] As a result, the Italian police stepped up their efforts—particularly, their focus on Shaaban's Islamic Cultural Institute. On June 26, 1995, in a mission codenamed "Operation Sphinx," Italian police arrested 11 suspected members of Al-Gama'at Al-Islamiyya (including 10 Egyptians and 1 Palestinian) and carried out formal searches of 72 addresses across northern Italy, including Milan. The detained terrorists were charged with criminal conspiracy, robbery, extortion, falsifying documents, and illegal possession of firearms.^[66]

One of those that Italian counterterrorism authorities were particularly seeking to arrest, Shaykh Anwar Shaaban himself, was nowhere to be found. Evidently, having been tipped off to the intentions of the Italian government, Shaaban had escaped and found asylum at his mujahideen military stronghold in central Bosnia-Herzegovina.^[66] Shaaban's Bosnian exodus marked a critical period of development for the Arab-Afghan mujahideen in southern Europe. Despite all the Arab-Afghan propaganda decrying the suffering of the Bosnian Muslims—just as in Afghanistan—their participation in the war was ultimately being channeled toward an alternate purpose. By 1995, central Bosnia was more than a mere mujahideen frontline. Instead, thanks to the work of Shaaban and others, it had become a strategic foothold for Usama Bin Laden and his fanatical North African allies to help infiltrate Western Europe.

With Bosnian war hostilities drawing to a close in September 1995, Anwar Shaaban and his Italian-based Al-Gama'at al-Islamiyya cohorts were free to turn their attention and resources to issues of "more critical" importance. In late September, one of the most important Al-Gama'at al-Islamiyya leaders hiding in Europe—Abu Talal al-Qasimy (a.k.a. Talaat Fouad Qassem)—was captured by Croat HVO forces as he attempted to cross through Croatian territory into Bosnia-Herzegovina. Within days, the Croats quietly rendered al-Qasimy through U.S. custody into the hands of Egyptian

authorities. At the time, a government official in Cairo noted, "[Al-Qasimy's] arrest proves what we have always said, which is that these terror groups are operating on a worldwide scale, using places like Afghanistan and Bosnia to form their fighters who come back to the Middle East... European countries like Denmark, Sweden, Switzerland, England and others, which give sanctuary to these terrorists, should now understand it will come back to haunt them where they live." [68]

The first real Arab-Afghan response to Abu Talal al-Qasimy's arrest came on October 20, 1995, when a massive explosion shook the quiet Croatian port town of Rijeka. [69] At 11:22am, a suicide bomber detonated 70 kilograms of TNT hidden in a FIAT Mirafiori parked outside the Primorje-Gorani county police headquarters. [70] The mysterious suicide-bomber was killed, two bystanders were seriously wounded, and 27 other people received lighter injuries. The bomb was powerful enough to destroy the police headquarters and damage several nearby buildings, including a Zagreb Bank branch and a primary school. [69] In the blast debris, Croatian police found fragments a Canadian passport belonging to the suicide bomber—who had previously been investigated by Italian counterterrorism officials for his connections to the Islamic Cultural Institute in Milan controlled by Anwar Shaaban. [70] The CIA later confirmed that the bomber was "a member of Al-Gama'at [al-Islamiyya]." [73]

A day later, Western news agencies in Cairo received an anonymous faxed communiqué allegedly from Al-Gama'at representatives, claiming responsibility for the Rijeka bombing in order "to prove that the case of Sheik Talaat Fouad Qassem... will not pass but will bring cascades of blood bleeding from Croatian interests inside and outside... You Croats will be mistaken if you think that this matter will go peacefully." [74] In their statement, Al-Gama'at representatives firmly demanded that the Croatian government "release Sheikh Qassimi and apologise formally through the media... Close the gates of hell which you have opened upon yourselves ... otherwise you will be starting a war the end of which only Allah (God) knows." [75] U.S. intelligence indicated that Anwaar Shaaban was personally responsible for overseeing the suicide bombing operation in Rijeka. The terror attack was meant to be a mere prelude to a new strategy employed by the mujahideen. As the long Balkan war began winding down, Shaaban "and other mujahedin leaders had begun planning to attack NATO forces which would be sent to Bosnia." [73] French investigators believed that the October terror attack confirmed that the military leadership of the El-Mudzahedin Unit in Bosnia-Herzegovina "was closely related to [Al-Gama'at al-Islamiyya], both ideologically and in practice." [77]

For several years afterwards, Croatian authorities sought other suspects believed responsible for arranging the Rijeka bombing. Witnesses, including a police guard in the headquarters parking lot, described a suspicious Mercedes driven by an Arab man that sped away from the scene just before the blast. After looking at mugshots, those witnesses were able to positively identify a wanted 36-year old Egyptian militant loyal to Al-Gama'at Al-Islamiyya named Hassan al-Sharif Mahmud Saad. Saad, who had lived in Cologno Monzese (a suburb of Milan), was a prominent figure at the Islamic Cultural Institute. He even sat on the board of trustees of Anwar Shaaban's own Italian charitable organisation "Il Paradiso." In Italy, Saad was known to own a FIAT 131 Mirafiori with Bergamo plates, the very same vehicle later used in the Rijeka attack. As early as 1993, he was traveling back and forth between Bosnia and Italy. But everyone at the ICI mosque was aware that something was different in June 1995, when Hassan Saad packed his family and belongings in the FIAT and left permanently for Bosnia-Herzegovina. His friends at the ICI said he had gone away to join the El-Mudzahedin Unit in Zenica led by Anwar Shaaban. [78]

Immediately following the premature truck bomb explosion outside foreign mujahideen headquarters in Zenica in December 1995, Shaaban finally met his own violent end in Bosnia-Herzegovina. During a suspicious clash with Croat HVO forces, Shaaban and four of his closest mujahideen advisors were ritually gunned down,

seemingly harkening the end of a major era in for the Arab-Afghans in Europe. But the influential network Shaaban was responsible for establishing in Italy and Bosnia-Herzegovina continued to survive and prosper long after his death. The credit for this unexpected resurgence largely goes to top Algerian mujahideen commander Abu el-Ma'ali (a.k.a. Abdelkader Mokhtari) and his reputed lieutenant Fateh Kamel (a.k.a. "Mustapha the Terrorist"). Kamel, who had lived in Canada since 1988, was originally from Algeria and spent a good part of his life in a quarter of the capital Algiers.[79] His slick, polished exterior boasted a professionalism that was matched only by his pure ruthlessness. First trained in Afghanistan in 1991, Kamel came to the attention of Italian authorities while encouraging attendees at Anwar Shaaban's Islamic Cultural Institute in Milan to join the mujahideen in Bosnia. By 1995, according to French intelligence, the El-Mudzahedin Unit in Bosnia was headed politically by Anwar Shaaban, seconded militarily by Abu el-Ma'ali, and in the third position was Fateh Kamel, in charge of the brigade's "logistical matters" (a role that consisted mostly of coordinating the transfer of weapons, new recruits, and false documents to and from the Arab headquarters in Zenica).[80] Investigators reviewing the phone records of lines serving the ICI between 1994 and 1995 found evidence of regular contacts between the triumvirate of Abu el-Ma'ali, Anwar Shaaban, and Fateh Kamel.[81]

French intelligence determined that Kamel and his associates had "multiple links" with "diverse Islamic terrorist organisations around the world, and particularly in Bosnia, in Pakistan, in Germany, and in London." [82] Between 1994 and 1997, Fateh Kamel moved constantly between (at least) Milan, Montreal, Paris, Hamburg, Frankfurt, Zagreb, Bosnia, Copenhagen, Austria, Slovenia, Freiburg (Germany), Morocco, Ancone (Italy), Istanbul, Belgium, and Amsterdam.[83] Kamel was recorded on one occasion by Italian intelligence, discussing potential terror attacks and bragging to his henchmen, "I do not fear death... because the jihad is the jihad, and to kill is easy for me." [84] He hated the very society he lived in and cynically mocked Western attitudes towards Muslims: "And you know, the people [here] imagine a Muslim on the back of a camel, four wives behind him and the bombs that explode... terrorists, terrorists, terrorists." [85] In another communications intercept in 1996, just after the end of the Bosnian war, Kamel confided in his terrorist partners, "I prefer to die than go to jail. I almost lost my wife. I am 36 years old with a son four and a half months old. My wife is playing with him and me, I am here. I am almost a soldier." [86]

The evidence in Kamel's addressbook alone seems to confirm his role as a key liaison and coordinator between assorted European sleeper cell terrorist networks and senior Al-Qaida commanders based in Bosnia and Afghanistan. Among other numbers, Fateh Kamel had several contacts for Akacha Laidi (a.k.a. Abderrahmane Laidi, Abou Amina), a senior GIA member in the UK. One of the numbers with Akacha's name actually reached Djamal Guesmia, a terrorist widely known to be working with both the GIA and its successor group, the Algerian Salafist Group for Prayer and Combat (GSPC).[87] Fateh Kamel drew particularly close to loose network of units of North African immigrants and European converts to Islam who had come to aid the mujahideen during the early stages of the Bosnian war. For all intensive purposes, he became their handler, giving assistance and issuing orders on behalf of Anwar Shaaban and Abu el-Ma'ali.

In 1996, following the sudden death of Shaaban in central Bosnia, Kamel suddenly began activating "Bosniak" terror units implanted in Europe, instructing them to prepare for new jihad operations to take place inside France and Italy. Between August 6-10, 1996, Kamel stayed at the Milan apartment of two GIA supporters, including Rachid Fettar, who had close ties to the masterminds of the 1995 Paris metro bombing spree. Fettar was well-placed in the GIA leadership hierarchy, considered the "heir" to the European extremist network established by Safé Bourada, the deputy-in-command of the Algerian terror cell deemed responsible for the metro bombings.[88] Thus, Kamel's visit to Fettar and his companion Youcef Tanout came with a definite purpose: to direct a

terror cell in the construction and deployment of more crude gas-canister bombs like those used during the Paris metro campaign.

Kamel respected Rachid Fettar as an equal and complained to him that Tanout and the others were too reluctant to produce the explosives without elaborate and timeconsuming covert procedures. "I insisted as much as I could, but there was nothing I could do. In France, we can make [the bombs], even if their destination is France. You know very well that in France, I have no problems; I return and I leave when I want, clandestinely." [89] In a discussion with the more amateurish Youcef Tanout, Kamel coldly asked, "What are you afraid of? That everything will explode in your house? Tell me at least if Mahmoud has gotten the gas canister." Tanout meekly related to Kamel how one of his fellow cell members had sought the shelter and anonymity of a nearby deep forest in order to fabricate the required bombs. He admitted to Kamel, "I feel no shame in telling you that I am extremely afraid." [90] Evidently, Tanout's hesitant concerns were well founded; on November 7, 1996, both himself and Fettar were arrested and their Milan apartment was searched by experienced Italian counterterrorism investigators. They discovered two 400-gram gas canisters, five remote-control transmitters, 38 metallic cylinders, and other bomb-making materials. [91]

Though Fateh Kamel's gas canister terror plot in Milan never reached fruition, it provided ominous clues as to what was to develop across Western Europe in the following decade. In many ways, the early Italian-based mujahideen sleeper cells under the lead of Kamel, Anwar Shaaban, and Abu el-Ma'ali were the direct prototype for contemporary European-based North African militant networks responsible for carrying out such operations as the March 2004 commuter train bombings in Madrid, Spain. Members of Fateh Kamel's brotherhood of fighters continue to enter and leave the Balkans even today. When Kamel's "right-hand-man" in Bosnia—Moroccan Karim Said Atmani—was released from a French prison cell in the spring of 2005, he immediately left on a flight to Sarajevo where he was greeted at the airport by a "known commander of the Bosnian mujahideen... tied to the international Islamic terrorist movement." [92] After substantial pressure was brought to bear on local law enforcement authorities in BiH, Atmani was finally deported from the region in early 2006 and sent back home to North Africa.

Scandinavia and Northern Europe

Even as early as the Bosnian war, the unlikely region of Scandinavia had become an important tactical base for Islamic militant groups from the Middle East. Countries like Norway, Sweden, and Denmark were perceived as tolerant and willing to grant political asylum even to militant leaders on the run from law enforcement and intelligence agencies. In Scandinavia, these wanted men knew they could expect "the same freedom as [in] the US." [93] A March 1995 magazine printed by supporters of Al-Gama'at al-Islamiyya noted that "influential guides" within the Egyptian jihadi movement had nonetheless been able to secure "political asylum in Norway" despite the reluctance of the Norwegian Embassy in Cairo to become involved in such proceedings. [42] Even the undisputed top leader of Al-Gama'at al-Islamiyya—Shaykh Omar Abdel Rahman (currently serving a life sentence in a maximum security U.S. prison)—boasted in interviews with mujahideen newsletters of his numerous trips to Europe, "passing through Britain, Denmark, Sweden, and many other countries." [95]

Unbeknownst to most Danes, by 1993, the city of Copenhagen was perhaps the most important safe haven for Al-Gama'at al-Islamiyya in all of Europe. At the head of Al-Gama'at's weighty delegation in Copenhagen was the legendary Shaykh Abu Talal al-Qasimy, among the first Muslim clerics involved in supporting the Bosnian jihad. Al-Qasimy was imprisoned several times by the Egyptian government both previous to and

following the assassination of the late President Anwar Sadat. Shortly thereafter, he was able to use fake travel documents to escape Egypt and join the growing number of militant Muslim exiles fighting Soviet forces in Afghanistan. While there, al-Qasimy "made an appointment with Jihad in the path of Allah, and... embraced the rifle." [96] During time spent in nearby Pakistan, Abu Talal al-Qasimy established Al-Gama'at's official magazine, Al-Murabeton, and wrote most of the early issues.

In January 1993, under pressure from the U.S., the Pakistani government suddenly reversed its position on supporting the jihad in Afghanistan and ordered the closure of remaining Arab mujahideen offices in Pakistan—threatening official deportation to any illegal foreign fighters who attempted to remain in Pakistan. These displaced men faced a serious problem, because return to their countries of origin meant certain arrest, torture, and likely death. At the time, a Saudi spokesman for the Arab-Afghans in Jeddah explained in the media, "the Algerians cannot go to Algeria, the Syrians cannot go to Syria or the Iraqis to Iraq. Some will opt to go to Bosnia, the others will have to go into Afghanistan permanently." [97]

According to Dr. Abdullah Azzam's son Hudhaifa, Abu Talal al-Qasimy was forced to flee across the border into Afghanistan because he was "ordered by name to be captured and sent to Egypt by the Pakistani government." But, "before they caught [him], [he]... got a visa to foreign countries." [98] In fact, Al-Qasimy had found political asylum in Denmark, where he continued to spread his radical message at the foreign office of Al-Murabeton in Copenhagen. [99] One of the other four editors working in Copenhagen was reportedly Dr. Ayman al-Zawahiri, the leader of the Egyptian Islamic Jihad movement and second-in-command of Usama Bin Laden's Al-Qaida. [100] Al-Qasimy was also a close friend of the Amir of the Bosnian mujahideen, Anwar Shaaban, and took an aggressive, committed, and hands-on role in the Bosnian jihad.

On April 24, 1993, Abu Talal al-Qasimy convened in Copenhagen arguably one of the most important meetings of pan-Islamic militant leaders ever to take place inside of Europe. The other participants included Shaykh Anwar Shaaban from Milan and Imam Shawki Mohammed (a.k.a. Mahmoud Abdel al-Mohamed), the firebrand cleric at the Al-Sahaba mosque in Vienna—considered by Italian intelligence at the time to be "a most important representative of Sunni radicalism in Europe" who was fixated on "the situation of the mujahiddin in the former Yugoslavia." [42] Abu Talal hoped that this "meeting of minds" would serve as the impetus for the creation of a "Shura Council of the European Union"—a coalition of like-minded Middle Eastern extremist groups with a common presence and interest in Western Europe. The "Shura Council" was to be developed as an autonomous command organism capable of "coordinating and making decisions" without consulting Al-Gama'at al-Islamiyya or Al-Jihad leaders located far off in Egypt or Afghanistan. One of the main reasons for establishing a unified leadership nucleus was to fully mobilise shared resources in Europe to support nearby ongoing jihad operations in North Africa and Bosnia-Herzegovina. [42] A note from the diary of Anwar Shaaban written just days before meeting Abu Talal in Copenhagen cites the collective importance of providing assistance "to the Algerian, Tunisian, Senegalese, and Bosnian brothers." [42]

Like Shaaban in Milan, Abu Talal al-Qasimy used his position of prominence while in Copenhagen to establish a circle of like-minded disciples, such as Palestinian Muslim cleric Ahmed Abu Laban (a.k.a. Abu Abdullah al-Lubnani) who arrived in Denmark in 1993. Though he speaks little Danish, Abu Laban has gradually established a persona for himself as the de-facto representative of the minority Muslim community in Denmark, appearing in local media reports and in meetings with government officials. An August 2005 article in the respected Washington Post even referred to Abu Laban as "one of Denmark's most prominent imams." [104]

Yet, despite his disarming exterior, Italian intelligence recorded visits by Abu

Laban to Anwar Shaaban's ICI in Milan "many times" for "conferences" and "community prayers." [42] When news of the capture of Abu Talal al-Qasimy in Croatia filtered back to Denmark, Ahmed Abu Laban led an angry protest of 500 local Muslims in downtown Copenhagen outside the Croatian embassy. During the October 1995 protest (which included an appearance by al-Qasimy's wife), demonstrators "raised their fists and shouted 'Allahu Akhbar!'" In interviews with journalists, Abu Laban condemned Egypt, the United States, and Croatia as "the beneficiaries" of Abu Talal's capture en route to Muslim forces in central Bosnia-Herzegovina. [106]

In early 2006, Ahmed Abu Laban re-appeared in international media after he helped provoke a new series of violent protests across the Muslim world in reaction to cartoons published in Scandinavian magazines that lampooned the Prophet Mohammed. The controversial cartoons failed to attract widespread interest among Muslims outside of Europe when they first printed in the Danish publication *Jyllands-Posten* during the fall of 2005. On November 18—in an interview with an Islamic press agency—Abu Laban announced that he would lead a delegation of Danish Muslims touring across the Middle East in a bid to draw pan-Islamic attention to the cartoons issue:

"A delegation will visit Cairo to meet with Arab League Secretary Amr Moussa and Grand Imam of Al-Azhar Sheikh Mohammad Sayyed Tantawi... The delegation will also visit Saudi Arabia and Qatar to meet with renowned Muslim scholar Sheikh Yussef Al-Qaradawi... We want to internationalise this issue so that the Danish government would realise that the cartoons were not only insulting to Muslims in Denmark but also to Muslims worldwide... It was decided to take such a step because it is wrong to turn a blind eye to the fact that some European countries discriminate against their Muslims on the grounds that they are not democratic and that they can not understand western culture." [107]

During meetings with Muslim leaders, the delegation led by Abu Laban displayed the cartoons published by *Jyllands-Posten*—along with several other much more offensive items that had never actually been published in Scandinavia, including a cartoon depicting the Prophet having sexual intercourse with a dog. Other printed materials distributed in conjunction with Abu Laban's campaign contained several other inflammatory and misleading rumours about the would-be "oppression" of Danish Muslims. [108] Within weeks, as a result of Abu Laban's relentless incitement, the cartoon controversy spun out of control, resulting in angry mobs attacking Scandinavian diplomatic facilities in Syria, Lebanon, Iran, Pakistan, and the Palestinian territories.

Likewise, in neighbouring Sweden, local cells of North African extremists who had initially organised themselves around the need to support to fellow jihadists in Afghanistan, North Africa, and the Balkans eventually developed into an elaborate regional network for terrorist recruitment, financing, and other illicit activities. According to the U.S. Central Intelligence Agency, the Stockholm office of a fraudulent Arab-Afghan charitable group known as "Human Concern International" (HCI) served as cover during the mid-1990s for a major covert Bosnian arms smuggling operation. [73] European Muslim newsletters advertised that due to a wealth of contributions from "the increasing Muslim population in Sweden," the HCI branch in Stockholm had already successfully "equipped the Mujahideen in Afghanistan... The organisation has succeeded in gathering more than half million Kroner last year, and it has been sent to the Mujahideen in Afghanistan. We are still helping the Arab youths to go to Afghanistan thus to contribute in the Jihad." [110] The newspaper *Le Monde* confirmed that French national police suspected that HCI's offices in Croatia and Sweden had acted as possible "staging points" for the GIA terrorist cell responsible for a July 25, 1995 bomb attack on the Paris metro system. [111] In the wake of the Paris bombing, Swedish authorities arrested and held a suspected GIA member Abdelkerim Deneche who was living in Stockholm at the time.

Deneche had previously been fingered in French news media as a former employee of the HCI office in Zagreb.

Not to be outdone by their British colleagues, groups of young Algerian radicals from Sweden were also traveling directly to Bosnia seeking to physically join in the jihad against the "Christian Crusaders." On September 19, 1993, one of these Swedish mujahideen recruits—"Abu Musab al-Swedani"—was killed in a battle with Croatian HVO forces near the central Bosnian town of Kruscica (near Vitez). According to friends, Abu Musab was born in Sweden to a Swedish mother and an Algerian father. He grew up in Scandinavia, but at age 20, suddenly developed an intense interest in studying Islam. He travelled to Saudi Arabia on a personal pilgrimage to learn Arabic and study the Islamic Shariah (religious law). During the nearly two years he spent in the Arabian Peninsula, he became a devout, fundamentalist who, upon his return to Sweden, began actively proselytizing his religion to others around him, including his family and relatives.[112]

The jihad in Afghanistan was making major international headlines during this period of the late 1980s, catching the avid attention of the pro-Islamist community in the West. Abu Musab "began to follow the news of the Muslims around the world and in particular the killing of the Muslims and their expulsion from their homes. He then understood that there is no dignity for the Muslims except through Jihad." Abu Musab travelled to Peshawar, the "gateway to jihad," with another young, radical Muslim who was already a member of the mujahideen. After some hesitation, he soon ventured forth into Afghanistan to seek combat training and to fight on behalf of the Islamic revolution. When the Afghan jihad ended, Abu Musab returned home to Sweden and married a Muslim woman. But, in 1992, he once again decided to make a jihadi pilgrimage—this time in Bosnia-Herzegovina. Abu Musab al-Swedani arrived in the region and joined up with the extremists based in the camp on Mt. Igman, under the lead of "General" Abu Ayman al-Masri.[112] After surviving several months of combat, Abu Musab was finally killed by a sniper's bullet while in the midst of a chaotic mujahideen military offensive aimed at driving Croatian forces out of Muslim central Bosnia.[112] Al-Swedani's biography and photo were later publicised in the pioneering English-language jihad propaganda film "The Martyrs of Bosnia," produced by accused London-based Al-Qaida operative Babar Ahmad.[112]

As a testament to what had been achieved, when the mujahideen military campaign in Bosnia-Herzegovina came to a sudden halt in September 1995, the predominantly Algerian arms smuggling and recruitment network based in Stockholm continued their ongoing activities virtually unabated. Jihad became a hot topic of discussion and a host of individuals surfaced in Scandinavia claiming to represent various Islamic extremist movements—including "Abu Fatima al-Tunisi" (a spokesman for a Stockholm-based Islamic group), and "Abu Daoud al-Maghrebi" (a Swedish-based activist working on behalf of the GIA in Northern Europe).[116] Even the Nusraat al-Ansaar newsletter—the semi-official publication of the GIA's foreign delegation in Europe—offered a correspondence address at Box 3027 in Haninge, Sweden.[117]

Indeed, Swedish-based militants who were initially mobilised by ongoing jihadi conflicts in Bosnia and Afghanistan were also the first to establish an official Arablanguage Internet homepage for the notorious Algerian GIA, with an entire sub-section dedicated just to "terrorism." [118] These same individuals began to distribute Arablanguage jihad training manuals on the Internet, many of which have become classic documents in the online world of the mujahideen—including a lengthy book titled "The Restoration of the Publication of the Believers," written by Egyptian Islamic Jihad leader Dr. Ayman al-Zawahiri. When it was published on the Internet from Sweden, Zawahiri's book still carried a watermark on the cover from 1996 identifying it as the property of "Muslimska Forsamlingen i Brandbergen, Jungfrugaten 413 N.B." in the town of Haninge.[119]

Conclusions

To some degree, all major conflicts in the Islamic world have a bearing on Muslim social and political attitudes in Europe. Yet, the proximity of Bosnia-Herzegovina to Europe and the underlying nature of the conflict in the Balkans (pitting an embattled and forgotten Muslim minority against two larger Christian "crusader" forces) caused an infusion of European youth that no such conflict had previously seen. Bosnia became a rallying cry and the impetus for disparate groups of Islamic extremists spread across Western Europe to come together in common cause. It was a mobilisation drive that simply never stopped when the Dayton Accords were signed and the Bosnian war ended.

The recent discovery of a transnational terrorist network anchored in Sarajevo—and with branches in Sweden, Denmark, and the United Kingdom—is further evidence of the extent to which the jihad in Bosnia still influences Western European mujahideen networks. Last fall, Bosnian authorities announced a series of arrests in connection with a security sweep known as Operation Mazhar. The men taken into custody had purchased explosives and allegedly planned to carry out suicide attacks against Western targets across Europe. The leader of the cell, Swedish national Mirsad Bektasevic (a.k.a. "Maximus") was initially based in Sweden and then travelled on to Bosnia "to plan an attack aimed at forcing Bosnia or another government to withdraw forces from Iraq and Afghanistan." [120]

In a videotape recovered by Bosnian police, masked militants were shown building explosives while another individual—allegedly Bektasevic himself—explained to the camera, "This weapon will be used against Europe, against those whose forces are in Iraq and Afghanistan... These two brothers ... have given their lives to God to help their brothers and sisters. We are here and we are planning and we have got everything ready." Mobile phone records also showed that Bektasevic was communicating with other known extremists based in Denmark and the United Kingdom. [120] He was also believed to be running a recruitment operation sending young European jihadi recruits on to Abu Musab al-Zarqawi in Iraq. [122] Moreover, at least one of the suspects arrested in Bosnia-Herzegovina in connection with the Bektasevic network was the former accountant of a financial front company run by veterans of the El-Mudzahedin Unit in Sarajevo and Zenica.

Thus, the brotherhood of radical Muslims forged as a result of the conflict in Bosnia-Herzegovina continues to present a formidable challenge for European intelligence and law enforcement. In the future, it is crucial for Western security agencies to pool information on the identities of any foreign nationals known to have joined mujahideen forces in the Balkans—just as they have done for Afghanistan and Iraq. Moreover, European nations must provide further resources and investigative support to Bosnian Muslim authorities in their drive to uproot remaining pockets of foreign extremists. Without substantial international assistance, it is doubtful that the Bosnians can alone shoulder this weighty and complex security responsibility.

Sources:

1. Interview with Shaykh Abu Hamza al-Masri at the Finsbury Park Mosque; June 28, 2002.
2. Video interview clip of Abu Ibrahim al-Brittanee; 21-years old, Goulders Green, London.
3. "The Jihad in Bosnia." Al-Daawah (Islamabad). P.O. Box 3093; Islamabad, Pakistan. Publisher: Shaykh Waseem Ahmed. January 1993.
4. Azzam Publications. "In the Hearts of Green Birds." Audiocassette tape transliterated by Salman Dhia Al-Deen. <http://www.azzam.com>.
5. "Review of the Information on Activities of the Persons from Afro-Asian Countries Directly Before the War and During the War in the Territory of BiH Republic." Report written by the BiH Administration of the Military Security Service— Department for Analytical and Informative Affairs." Sarajevo; May 6, 1995.
6. "Shema Hijerarnijskim Odnosa OpO 'VAZAL.'" Report written by the ARBiH Military Intelligence

- Service. November 28, 1995. See sections marked: "Lica Sa Kojima Kontaktira Abu Maali Hasan" and "Donatori Jedinice 'El Mudzahidin.'"
7. <http://52.374.4.873subf93:XOMlosa487987172719YU>
8. "Disruption of the enemy's activities." Memorandum dispatched from Zenica by Colonel Ramiz Dugalic, commander of the Ministry of Defense Security Administration – Republic of Bosnia and Herzegovina. Army of Bosnia and Herzegovina (ARBiH) Security Service Department. Classified No. 258-33. September 14, 1994.
9. <http://57.703.11.966subf55:OSlecqs1365481713434F>
10. <http://50.854.4.346plusf08:MFmtwzl6734684220B>
11. Jean-Louis Bruguiere and Jean-Francois Ricard. "Requisitoire Definitif aux Fins de Non-Lieu. De Non-Lieu partiel. De Requalification. De Renvoi devant le Tribunal Correctionnel, de maintien sous Controle Judiciaire et de maintien en Detention." Cour D'Appel de Paris; Tribunal de Grande Instance de Paris. No. Parquet: P96 253 3901.2. Page 157.
12. "Jucio a la Célula Espanola de Al Qaeda." El Mundo (Spain). June 6, 2005. <http://www.elmundo.es/elmundo/2005/06/06/espana/1118066833.html>.
13. "Spanish court jails 18 in al-Qaida trial." Al-Jazeera. September 26, 2005.
14. Jean-Louis Bruguiere and Jean-Francois Ricard.Page 169.
15. Philips, Alan. "New 'arc of crisis' fuels fears over Muslim aggression." The Daily Telegraph (London). October 8, 1992. Page 15.
16. Aydintasbas, Asla. "Why they can't turn their backs on the veil." The Independent (London). April 28, 1994. Page 22.
17. Unidentified video interview of "Abu Ibrahim." Originally obtained from the Finsbury Park Mosque, London.
18. <http://52.367.9.741subf39:MFthkko981463710363LB>
19. Sohail A Osman (sohail@muslimsonline.com). "Subject: Global Jihad Fund." Newsgroup: soc.religion.islam. August 30, 1998.
20. "Global Jihad Fund: Mission Statement." <http://www.ummah.net/jihad/about.htm>. November 2000.
21. Mohammed Sohail (info@zakat.org.uk). "One Deen, One Ummah, One Struggle." Newsgr:alt.religion.islam. Jan 31, 1996.
22. Sohail A Osman (sohail@muslimsonline.com). "Subject: Global Jihad Fund." Newsgroup: soc.religion.islam. Aug 30, 1998.
23. Hastings, Chris and Jessica Berry. "Muslim militia training in Britain." The Ottawa Citizen. November 07, 1999. Page A6.
24. Frost, Bill. "British troops poised to quit Vitez base." The Times (London). June 14, 1993.
25. Bishop, Patrick. "Islamic warriors lead Balkan attack." The Daily Telegraph. June 14, 1993. Page 10. See also: O'Kane, Maggie. "Mujahedeen fighting in Bosnia, British say." The Guardian (London). June 14, 1993. Page A6.
26. "Moslem fighters 'led by Briton.'" Daily Mail (London). October 29, 1993. Page 2.
27. Azzam Publications. "In the Hearts of Green Birds." Audiocassette transliterated by Salman Dhia Al Deen.
28. Azzam Publications. "Under the Shades of Swords." Audiocassette sequel to "In the Hearts of Green Birds." November 1997. Azzam Recordings; London, UK.
29. <http://40.375.-3.768subf62:OKblmcw394717197273Hy>
30. <http://52.528.13.393plusf91:Aismuck789717881861PY>
31. <http://59.911.10.748plusf67:PSkrhkc631974631849CI>
32. O'Connor, Mike. "5 Islamic Soldiers Die in Shootout With Croats." The New York Times. December 16, 1995. Page 6.
39. Muir, Hugh. "British Muslim convert jailed for terrorism offences." The Guardian (London). September 24, 2005.
42. Italian Division of General Investigations and Special Operations (DIGOS) Anti-Terrorism Report. "Searches at the Islamic Cultural Center, Viale Jenner 50, Milano, 6/26/1995." Dated September 15, 1997.
43. Azzam Publications. "The Martyrs of Bosnia: Part I." PAL/NTSC Format. Length: 150 minutes approximately. ©2000.
44. Ibid.
46. United States v. Usama bin Laden, et al. S(7) 98 Cr. 1023 (LBS). United States District Court, Southern District of New York. Trial Transcript, February 21, 2001. Pages 1106-1107.
47. Jean-Louis Bruguiere and Jean-Francois Ricard.Page 99.
51. Italian Division of General Investigations and Special Operations (DIGOS) Anti-Terrorism Report. "Searches at the Islamic Cultural Center, Viale Jenner 50, Milano, 6/26/1995." Dated September 15, 1997. See: Shaaban, Anwar. "Conversations Among Friends: Where is the Damage?" Sawt al-Haqq Magazine. No. 66; June 1995.
58. Higgins, Andrew and Christopher Cooper. "CIA-backed team used brutal means to break up terrorist cell in Albania." The Wall Street Journal. November 20, 2001.
59. Ibid.
60. Jean-Louis Bruguiere and Jean-Francois Ricard.Page 97.
61. United States v. Usama bin Laden, et al. S(7) 98 Cr. 1023 (LBS). United States District Court, Southern District of New York. Trial Transcript, February 20, 2001. Page 997.
62. Jean-Louis Bruguiere and Jean-Francois Ricard.Page 94. See also: "Italian police arrest alleged Tunisian militant." Reuters. September 29, 2002.
63. Jean-Louis Bruguiere and Jean-Francois Ricard.Page 96.
64. Jean-Louis Bruguiere and Jean-Francois Ricard.Page 96.
65. Rodan, Steve. "Mubarak on a powder keg." The Jerusalem Post. June 30, 1995. Page 11.
66. Willan, Philip. "Italians arrest suspected Islamic militants." United Press International. June 26, 1995.
68. Ibrahim, Youssef, M. "Muslim militant leader arrested on way to Bosnia, Egypt reports." The Houston Chronicle. September 24, 1995. Sec. A; Page 31.
69. Croatian Radio. Broadcast in Serbo-Croat language in Zagreb. October 20, 1995; 1600 GMT.
70. Gatti, Fabrizio. "1995: From Milan a car bomb leaves for Fiume." Corriere della Sera (Italy). November 11, 2001.
73. January 1996 CIA Report on "International Islamic NGOs" and links to terrorism. Page 13. See also: Affidavit by Senior Special Agent David Kane (Bureau of Immigration and Customs Enforcement, Department of Homeland Security). United States of America v. Soliman S. Biheiri. United States District Court for the Eastern District of Virginia, Alexandria Division. Case #: 03-365-A. August 14, 2003. Page 2.
74. "Egyptian Radical Group Claims Bombing in Croatia." The Associated Press. October 21, 1995.
75. "Jamaa claims Croatia bombing, Mubarak cancels New York trip." Deutsche Presse-Agentur. October 21, 1995.
77. Jean-Louis Bruguiere and Jean-Francois Ricard.Page 160.
78. Gatti, Fabrizio. "1995: From Milan a car bomb leaves for Fiume." Corriere della Sera (Italy). November 11, 2001.
79. Jean-Louis Bruguiere and Jean-Francois Ricard.Page 7.
80. Jean-Louis Bruguiere and Jean-Francois Ricard.Page 99.
81. Jean-Louis Bruguiere and Jean-Francois Ricard.Page 100.
82. Jean-Louis Bruguiere and Jean-Francois Ricard.Page 126.
83. Jean-Louis Bruguiere and Jean-Francois Ricard.Page 148.

- 84.** Pyes, Craig and Josh Meyer et al. "Bosnia Seen as Hospitable Base and Sanctuary for Terrorists." The Los Angeles Times. October 7, 2001. Page A1.
- 85.** Jean-Louis Bruguiere and Jean-Francois Ricard.Page 104.
- 86.** "Mustapha the Terrorist." National Post (Canada). February 24, 2001.
- 87.** Jean-Louis Bruguiere and Jean-Francois Ricard.Page 146.
- 88.** "Bombing trial opens in Paris." CNN Online. November 24, 1997. See also: Jean-Louis Bruguiere and Jean-Francois Ricard. "Requisitoire Definitif aux Fins de Non-Lieu. De Non-Lieu partiel. De Requalification. De Renvoi devant le Tribunal Correctionnel, de maintien sous Controle Judiciare et de maintien en Detention." Cour D'Appel de Paris; Tribunal de Grande Instance de Paris. No. Parquet: P96 253 3901.2. Page 105.
- 89.** Jean-Louis Bruguiere and Jean-Francois Ricard.Page 103.
- 90.** Jean-Louis Bruguiere and Jean-Francois Ricard.Page 105.
- 91.** Jean-Louis Bruguiere and Jean-Francois Ricard.Page 105.
- 92.** Jean-Louis Bruguiere and Jean-Francois Ricard.Page 109.
- 93.** Interview of Ahmed Zaidan by Steven Emerson and Khalid Duran. October 25, 1993.
- 95.** "Dr. Omar Abdul Rahman to Nida'ul Islam: 'Muslims Should Continue to Call to Allah and Struggle Relentlessly For His Sake.'" Nida'ul-Islam. Issue No. 16; December 1996/January 1997. <http://www.islam.org.au/articles/16/dromar.htm>.
- 96.** Sheikh Abu Ithar. "Sheikh Abu Talal Al-Qasimy, Infatuated With the Pen and the Spear." Al-Nida'ul Islam. Issue 21; December-January 1997-1998. <http://www.islam.org.au>.
- 97.** Evans, Kathy. "Pakistan clamps down on Afghan Mojahedin and Orders Expulsion of Arab Jihad Supporters." The Guardian (London). January 7, 1993. Page 7.
- 98.** Interview of Hudhaifa Azzam by Steven Emerson and Khalid Duran. October 21, 1993.
- 99.** Sheikh Abu Ithar. "Sheikh Abu Talal Al-Qasimy, Infatuated With the Pen and the Spear." Al-Nida'ul Islam. Issue 21; December-January 1997-1998. <http://www.islam.org.au>.
- 100.** "MSANEWS EGYPT UPDATE: June 27, 1995: Zawahiri, Kassim, Ben Laden and the gang .. and a brotherly gesture from Russia (fwd)." MSANews. June 27, 1995.
- 104.** Sullivan, Kevin. "Denmark Tries to Act Against Terrorism as Mood in Europe Shifts." Washington Post. August 29, 2005.
- 106.** Nasrawi, Salah. "Islamic Group Warns Americans Over Conviction of Sheik." October 3, 1995.
- 107.** Qenawi, Ayman. "Danish Muslims 'Internationalize' Anti-Prophet Cartoons." Islam Online. November 18, 2005. <http://islamonline.net/English/News/2005-11/18/article02.shtml>.
- 108.** Vidino, Lorenzo. "Creating Outrage." National Review Online. February 6, 2006.
- 109.** <http://52.491.13.351subf93:XLlymxo638971763265BQ>
- 110.** Al-Ghuraba Magazine. The Islamic Student Association in the U.K. and Ireland. P.O. Box 82; Leeds, UK L53 1DZ. No. 7; July 1989. Page 22.
- 111.** "Paris bomb suspect says has alibi in Sweden-report." Reuters. August 23, 1995.
- 112.** Azzam Publications. "The Martyrs of Bosnia: Part I." PAL/NTSC Format. Length: 150 minutes approximately. ©2000.
- 116.** "Algeria's GIA warns of impostors operating in its name in Europe." Mideast Mirror. Vol. 9, No. 51. March 15, 1995.
- 117.** Mirak-Weissbach, Muriel. "The case of the GIA: Afghansi out of theater." Executive Intelligence Review. October 13, 1995.
- 118.** <http://www.zyworld.com/gia/gia.htm>. July 2001. See also: Holmstrom, Mj. Conny. "Terroristorganisationer pa Internet, en mojlighet eller realitet?" Forsvarshogskolan C-uppsats. June 19, 2001. Page 70. http://www.annalindhbiblioteket.se/publikationer/uppsatser/2001/chp9901/holmstrom_1064.pdf.
- 119.** <http://www.geocities.com/doktorayman/ayman.zip>. December 2004.
- 120.** "Bosnia says trio planned suicide attacks in Europe." Reuters. April 18, 2006.
- 122.** Hosenball, Mark. "Target Washington?" Newsweek. November 4, 2005.

2.37 Justification of Muslim crime against non-Muslims

According to the Salafists, non-Muslims are lesser people. By saying this they justify the behaviour of young Muslim criminals who target the non-Muslims whilst they never touch fellow Muslims. They told me that drug trafficking is perfectly acceptable as long as one only sells to non-Muslims. They told me that stealing from non-Muslims is allowed as long as one does not harm fellow Muslims. One day our office was burgled and our computers were stolen. All except the two computers belonging to our two Muslim colleagues. You don't steal from brothers or sisters! The culprits were YfI-members.

Many victims of burglaries in houses and cars, of steaming and other forms of violence, can testify that aggression by Muslims is not directed against brothers and sisters, but against whoever is a kafir, a non-believer. Young Muslims justify their behaviour towards women who do not wear the headscarf, whether Muslim or non-Muslim, by referring to the Salafist teaching which says that these women are whores and should be treated as such. They told me this. I wrote it down in my reports, but the authorities refuse to hear it.

Of course Mr Ramadan disapproves of the young criminals' behaviour. Of course the YfI leadership disapproves too. But I am convinced they are double-faced. In public, when talking to Westerners, such as the media and the authorities, they condemn the criminals, but they continue to spread the ideas which the criminals use to justify their acts.

Source:

<http://www.brusselsjournal.com/node/1970>

2.38 The Real Roots of Muslim Hatred

By Andrew G. Bostom

"Are you Muslim or Christian? We don't want to kill Muslims." That's what the Islamic terrorists reportedly told their innocent prey during a murderous shooting spree last Saturday in Khobar, Saudi Arabia, that left at least 17 civilians dead in the initial assault.[1] How are we to interpret such repeated acts of terrorism, targeting non-Muslims? Perhaps the most influential contemporary doyen lecturing to us about "Islamic fundamentalism" has asserted, in multiple writings since 1990[2], the following: fundamentalism and its accompanying "Muslim rage" derive exclusively from a steady decline in the geopolitical power of Muslim states, evidenced, most dramatically, by the official dissolution of the Ottoman Caliphate after World War I, and the creation of the State of Israel after World War II. Despite his erudition, this doyen appears unwilling to examine an obvious alternative explanation for the etiology and persistence of Muslim animus toward non-Muslims- what Muslim children, for generations, have been taught to think about the infidel "other," **regardless** of the geopolitical circumstances.

E.W. Lane wrote an informative firsthand account of life in Egypt, particularly Cairo and Luxor, composed after several years of residence there (first in 1825-1828, then in 1833-1835). James Aldridge in his study *Cairo* (1969) called Lane's account "the most truthful and detailed account in English of how Egyptians lived and behaved." [3] Egyptian Muslims, Lane explains, regarded "persons of every other faith as the children of perdition; and such, the Muslim is early taught to despise...I am credibly informed that children in Egypt are often taught at school, a regular set of curses to denounce upon the persons and property of Christians, Jews, and all other unbelievers in the religion of Mohammad." [4] Lane, who had perfect command of Arabic and went on to write a colossal Arabic-English lexicon, translated the prayer below from a contemporary 19th century text Arabic text. It contains curses on non-Muslims, "which the Muslim youths in many of the schools in Cairo recite, before they return to their homes, **every day of their attendance.**" [5] One typical curse is:

"I seek refuge with God from Satan the accursed. In the name of God, the Compassionate, the Merciful. O God, aid El-Islam, and exalt the word of truth, and the faith, by the preservation of thy servant and the son of thy servant, the Sultan of the two continents (Europe and Asia), and the Khakan (Emperor or monarch) of the two seas [the Mediterranean and Black Seas], the Sultan, son of the Sultan (Mahmood) Khan (the reigning Sultan when this prayer was composed). O God, assist him, and assist his armies, and all the forces of the Muslims: O Lord of the beings of the whole world. **O God, destroy the infidels and polytheists, thine enemies, the enemies of the religion. O God, make their children orphans, and defile their abodes, and cause their feet to slip, and give them and their families, and their households and their women and their children and their relations by marriage and their brothers and their friends and their possessions and their race and their wealth and their lands as booty to the Muslims:** O Lord of the beings of the whole world." [6] (Emphasis added.)

Not surprisingly then, Lane describes how the Jews, for example, were "often...jostled in the streets of Cairo, and sometimes beaten merely for passing on the right hand of a Muslim...(The Jews) scarcely dare ever to utter a word of abuse when reviled or beaten unjustly by the meanest Arab or Turk; for many a Jew has been put to death upon a false and malicious accusation of uttering disrespectful words against the *Qur'an* or the Prophet. It is common to hear an Arab abuse his jaded ass, and, after applying to him various opprobrious epithets, end by calling the beast a Jew." [7]

Over five decades later, in Tunis, 1888, the following personal account reveals further evidence of the visceral abhorrence and hostility inculcated in Muslim children,

specifically, toward non-Muslims: "(The Jew) can be seen to bow down with his whole body to a Muslim child and permit him the traditional privilege of striking him in the face, a gesture that can prove of the gravest consequence. Indeed, the present writer has received such blows. *In such matters the offenders act with complete impunity, for this has been the custom from time immemorial.*"[8] (Emphasis added.)

Mary Boyce, Professor Emeritus of Iranian Studies and a pre-eminent scholar of Zoroastrianism, spent a 12-month sabbatical in 1963-64 living in the Zoroastrian community of Iran (mostly in Sharifabad, on the northern Yazdi plain). During a lecture series given at Oxford in 1975,[9] she noted how the Iranian ancestors of the Zoroastrians had a devoted working relationship (i.e., herding livestock) with dogs when they lived a nomadic existence on the Asian steppes. This sustained contact evolved over generations such that dogs became "a part in (Zoroastrian) religious beliefs and practices...which in due course became a part of the heritage of Zoroastrianism." [10] Boyce then provided an historical overview of the deliberate, wanton cruelty of Muslims and their children towards dogs in Iran, including a personal eyewitness account:

In Sharifabad the dogs distinguished clearly between Moslem and Zoroastrian, and were prepared to go...full of hope, into a crowded Zoroastrian assembly, or to fall asleep trustfully in a Zoroastrian lane, but would flee as before Satan from a group of Moslem boys...The evidence points...to Moslem hostility to these animals having been deliberately fostered in the first place in Iran, as a point of opposition to the old (pre-Islamic *jihad* conquest) faith (i.e., Zoroastrianism) there. Certainly in the Yazdi area...Moslems found a double satisfaction in tormenting dogs, since they were thereby both afflicting an unclean creature and causing distress to the infidel who cherished him. There are grim...stories from the time (i.e., into the latter half of the 19th century) when the annual poll-tax (*jizya*) was exacted, of the tax gatherer tying a Zoroastrian and a dog together, and flogging both alternately until the money was somehow forthcoming, or death released them. I myself was spared any worse sight than that of a young Moslem girl...standing over a litter of two-week old puppies, and suddenly kicking one as hard as she could with her shod foot. The puppy screamed with pain, but at my angry intervention she merely said blankly, 'But it's unclean.' In Sharifabad I was told by distressed Zoroastrian children of worse things: a litter of puppies cut to pieces with a spade-edge, and a dog's head laid open with the same implement; and occasionally the air was made hideous with the cries of some tormented animal. Such wanton cruelties on the Moslems' part added not a little to the tension between the communities.[11]

Sorour Soroudi, an Iranian Jewish woman and academic, whose family left Iran in 1970, published this recollection:

"I still remember the rhyme Muslim children used to chant when they saw an Armenian in the streets, 'Armeni, Armeni-dog, sweeper of hell are you!' "[12].

A decade later, anti-infidel discrimination intensified and became state sanctioned policy with the ascent of the Khomeini-lead Shi'ite theocracy in Iran.[13] Professor Eliz Sanasarian provides one particularly disturbing example of these policies, reflecting the hateful indoctrination of young adult candidates for national teacher training programs. Affirming as objective, factual history the *hadith*[14] account of Muhammad's supposed poisoning by a Jewish woman from ancient Khaibar, Sanasarian notes, "Even worse, the subject became one of the questions in the ideological test for the Teachers' Training College where students were given a multiple-choice question in order to identify the instigator of the martyrdom of the Prophet Muhammad, the 'correct' answer being 'a Jewess.'" [15]

The ongoing proliferation of Saudi Arabian-sponsored educational programs rife with bigotry against non-Muslims has been well documented. A recent comprehensive report provided unambiguous examples of these hatemongering teaching materials,

accompanied by this triumphal pronouncement from a Saudi royal family publication: "The cost of King Fahd's efforts in this field has been astronomical, amounting to many billions of Saudi riyals. In terms of Islamic institutions, the result is some 210 Islamic centers wholly or partly financed by Saudi Arabia, more than 1,500 mosques and 2,002 colleges and almost 2,000 schools for educating Muslim children in non-Islamic countries in Europe, North and South America, Australia, and Asia." [16]

Vilification of non-Muslims has been intrinsic to the religious education of Muslim children and young adults for centuries, an ignoble (and continuing) tradition that long antedates the modern or even pre-modern Muslim "fundamentalist" revival movements. We must acknowledge this reality and begin to think and act beyond the well-intentioned but limited constructs of even our most respected doyens. Perhaps it would be wise to heed the sober advice of this courageous madrassa dropout and secular Muslim "apostate" Ibn Warraq:

First, we who live in the free West and enjoy freedom of expression and scientific inquiry should encourage a rational look at Islam, should encourage Koranic criticism. Only Koranic criticism can help Muslims to look at their Holy Scripture in a more rational and objective way, and prevent young Muslims from being fanaticised by the Koran's less tolerant verses... We can encourage rationality by secular education. This will mean the closing of religious madrassas where young children from poor families learn only the Koran by heart, learn the doctrine of *Jihad* - learn, in short, to be fanatics... My priority would be the wholesale rewriting of school texts, which at present preach intolerance of non-Muslims, particularly Jews. One hopes that education will encourage critical thinking and rationality. Again to encourage pluralism, I should like to see the glories of pre-Islamic history taught to all children. The banning of all religious education in state schools as is the case in France where there is a clear constitutional separation of state and religion is not realistic for the moment in Islamic countries. The best we can hope for is the teaching of Comparative Religion, which we hope will eventually lead to a lessening of fanatical fevers, as Islam is seen as but another set of beliefs amongst a host of faiths. [17]

Until Warraq's recommendations are heeded, we can look forward to an endless *jihad*.

Sources:

<http://www.andrewbostom.org/loj//content/view/24/27/>

1. Reuters, "Gunmen hunted "infidel" Westerners" Sun May 30, 2004 06:30 AM ET, <http://www.reuters.co.uk/newsPackageArticle.jhtml?type=topNews&storyID=520188§ion=news>
2. i.e., Bernard Lewis, for example, in 1990 <http://www.theatlantic.com/issues/90sep/rage.htm>
3. <http://www.theatlantic.com/issues/90sep/rage2.htm>; November/December 1998 "License to Kill: Usama bin Ladin's Declaration of Jihad", Foreign Affairs; 2002 <http://www.theatlantic.com/issues/2002/01/lewis.htm>; 2003 <http://www.theatlantic.com/issues/2003/05/lewis.htm>
4. Quoted by J.M. White, in his introduction to, Lane, E.W. *An Account of the Manners and Customs of the Modern Egyptians*, New York, 1973, p. v.
5. Lane, E.W. *Modern Egyptians*, p. 276.
6. Lane, E.W. *Modern Egyptians*, p. 575.
7. Lane, E.W. *Modern Egyptians*, pp. 554-555.
8. Fellah. "The Situation of the Jews in Tunis, September 1888.", Ha-Asif (The Harvest) [Hebrew] 6 (Warsaw, 1889), English translation in, Bat Ye'or, *The Dhimmi- Jews and Christians Under Islam*, Fairleigh Dickinson University Press, 1985, p. 376.
9. Boyce, Mary. *A Persian Stronghold of Zoroastrianism* (based on the Ratanbai Katrak lectures, 1975), 1977, Oxford.
10. Boyce, M. *A Persian Stronghold*, p. 139.
11. Boyce, M. *A Persian Stronghold*, pp. 141-142.
12. Soroudi, Sorour. "The Concept of Jewish Impurity and its Reflection in Persian and Judeo-Persian Traditions" *Irano-Judaica* 1994, Vol. III, p. 155 (footnote 33):
13. See Tabandeh, Sultanhussein. *A Muslim Commentary on the Universal Declaration of Human Rights*, translated by F.J. Goulding, London, 1970, pp. 17-19. Tabandeh was a Sufi Shi'ite ideologue whose writings had a profound influence on Ayatollah Khomeini's discriminatory policies towards non-Muslims in Iran, as discussed in Sanasarian, Eliz. *Religious Minorities in Iran*, Cambridge, 2000, pp. 24-27.
14. *Sahih Bukhari*, Volume 3, Book 47, Number 786: Narrated Anas bin Malik: "A Jewess brought a poisoned (cooked) sheep for the Prophet who ate from it. She was brought to the Prophet and he was asked, 'Shall we kill her?' He said, 'No.' I continued to see the effect of the poison on the palate of the mouth of Allah's Apostle."
15. Sanasarian, E. *Religious Minorities in Iran*, p. 111.
16. Stalinsky, Steven. "Preliminary Overview. - Saudi Arabia's Education System: Curriculum, Spreading Saudi Education to the World and the Official Saudi Position on Education Policy," Middle East Media Research Institute, December 20, 2002.
17. Warraq, Ibn. "A True Islamic Reformation," *FrontPageMagazine.com*, May 19, 2003

2.39 The ongoing Civil War in Europe – Muslims want autonomous territory, not better integration

From the desk of The Brussels Journal, 10.2006

Radical Muslims in several of France's local communities are waging an undeclared "intifada" against the police, with violent clashes injuring an average of 14 officers each day. As the interior ministry said that nearly 2,500 officers had been wounded this year, a police union declared that its members were "in a state of civil war" with Muslims in the most depressed "banlieue" estates which are heavily populated by unemployed youths of north African origin.

It said the situation was so grave that it had asked the government to provide police with armoured cars to protect officers in the estates, which are becoming no-go zones. The number of attacks has risen by a third in two years. Police representatives told the newspaper *Le Figaro* that the "taboo" of attacking officers on patrol has been broken [also in the Netherlands].

[...] [Michel Thoomis, the secretary general of the *Action Police* trade union,] said yesterday: "We are in a state of civil war, orchestrated by radical Islamists. This is not a question of urban violence any more, it is an intifada, with stones and Molotov cocktails. You no longer see two or three youths confronting police, you see whole tower blocks emptying into the streets to set their 'comrades' free when they are arrested."

[...] However, Gerard Demarcq, of the largest police unions, *Alliance*, dismissed talk of an "intifada" as representing the views of only a minority. Mr Demarcq said that the increased attacks on officers were proof that the policy of "retaking territory" from criminal gangs was working.

A quote from Paul Belien at *The Brussels Journal*, 6 November 2005:

To understand what is going on one cannot look at today's events from a Western perspective. One has to think like the "youths" in order to understand them. Not imagine oneself in their shoes, but imagine their minds in one's own head. The important question is: how do these insurgents perceive their relationship with society in France?

Unlike their fathers, who came to France from Muslim countries, accepting that, whilst remaining Muslims themselves, they had come to live in a non-Muslim country, the rioters see France as their country. They were born here. This land is their land. And since they are Muslims, this land, or at least a part of it, is Muslim as well. [...] West Europeans cannot blame the Muslim "youths" for looking at the world the way they do. Europe willingly opened the door to the Muslims, not just by allowing large-scale immigration on an unprecedented level, but also by encouraging the newcomers to retain their culture.



[...] Those media that tell us that the rioting "youths" want to be a part of our society and feel left out of it, are misrepresenting the facts. As the insurgents see it, they are not a part of our society and they want us to keep out of theirs. The violence in France is in no way comparable with that of the blacks in the U.S. in the 1960s. The Paris correspondent of *The New York Times* who writes that this a "variant of the same problem" is either lying or does not know what he is talking about. The violence in France is of the type one finds when one group wants to assert its authority and drive the others out of its territory. [...]

The Muslims resent the outsiders paternalising them and interfering with their way of life in the suburbs of all Western Europe's major cities. Their message is: get out of our way, get out of our territory, and: you act like you think you're the boss but we'll show you who really is.

A quote from Paul Belien in *The American Conservative*, 5 December 2005:

It is easy to understand why the "youths" in the suburbs turned so violent when [French Interior Minister] Sarkozy tried to establish law and order there. The "youths" have held sway there, unchallenged, for decades. If they allow the French authorities to reassert their authority, they lose their own power base. Unlike the Western intellectuals, they realise that everything boils down to the question of who wields power over a specific territory. The police and the gangs fight over whose laws will apply in the neighbourhood: the laws of the French Republic or the laws of Eurabia.

[...] Sarkozy, who deployed only policemen in his war, was unable to prevail because he did not have the weapons to win a territorial conflict. After two days of rioting, police officers warned that they did not have the means to win what they (correctly) described as a "civil war." [...] The poor natives who live in the immigrants' neighbourhoods know better, however. They know that the generals of Eurabia, the leaders of the "youths," drive BMWs and Mercedes (which no-one dares to set alight), and that they use mobile phones and PCs to instruct their highly mobile troops. The war in France is not about social injustice, but about territory.

2.40 Muslim atrocities committed against Western Europeans 1960-2010 (2020)



The following report includes Muslim atrocities committed against indigenous Europeans from 1960-2010. It also includes projections to 2020 based on historical numbers. The report includes atrocities such as murder, indirect murder, rape, gang rape, robberies, beatings, arson and more.

Year	Muslims	Be/Ro[1]	Rape[2]	Arson[3]	Murder[4]
1960-65	>100 000	5000	1000	500	50
1965-70	>400 000	20000	5000	2000	200
1970-75	>800 000	40000	10000	4000	400
1975-80	>2 mill	100000	25000	10000	1000
1980-85	>4 mill	200000	50000	20000	2000
1985-90	>8 mill	400000	100000	40000	4000
1991	9 mill	90000	22500	9000	900
1992	10 mill	100000	25000	10000	1000
1993	11 mill	110000	27500	11000	1100
1994	12 mill	120000	30000	12000	1200
1995	13 mill	130000	32500	13000	1300
1996	14 mill	140000	35000	14000	1400
1997	15 mill	150000	37500	15000	1500
1998	16 mill	160000	40000	16000	1600
1999	17 mill	170000	42500	17000	1700
2000	18 mill	180000	45000	18000	1800
2001	19 mill	190000	47500	19000	1900
2002	20 mill	200000	50000	20000	2000
2003	21 mill	210000	52500	21000	2100
2004	22 mill	220000	55000	22000	2200
2005	23 mill	230000	57500	23000	2300
2006	24 mill	240000	60000	24000	2400
2007	25 mill	250000	62500	25000	2500
2008	26 mill	260000	65000	26000	2600
2009	27,5 mill	275000	68750	27500	2750
2010	29 mill	290000	72500	29000	2900
2011	30,5 mill	305000	76250	30500	3050
2012	32 mill	320000	80000	32000	3200
2013	33,5 mill	335000	83750	33500	3350
2014	35 mill	350000	87500	35000	3500
2015	37 mill	370000	92500	37000	3700
2016	39 mill	390000	97500	39000	3900
2017	41 mill	410000	102500	41000	4100
2018	43 mill	430000	107500	43000	4300
2019	45 mill	450000	112500	45000	4500
2020	47 mill	470000	117500	47000	4700
Total nr. of atrocities		8,31 mill	2,07 mill	831 000	83 100

The numbers provided have been calculated based on Norwegian, Swedish, British and French statistics (many of these reports are included in this compendium). There may be

certain errors for certain years. However, the total numbers should be representative for Western European countries seen as a whole. The numbers may appear astronomical and it might be hard to believe at first glance. Nevertheless, the numbers are in fact conservative estimates and the real numbers may be a lot higher.

1. (Be/Ro) Includes Muslim physical and psychological abuse (beatings threats, harassment, all forms of violence), torture, slavery or financial and/or sexual exploitation (rape excluded). Estimates are calculated based on number of atrocities committed. Many Europeans have been abused or exploited several times. Ratio is an average 1000 atrocities per 100 000 Muslims annually.

2. Estimates are calculated based on number of rapes. A gang rape will count number of rapists in relation to number of rapes. Many European girls/women have been raped multiple times. Ratio is an average 200 rapes per 100 000 Muslims annually.

3. Estimates include car burnings which is a significant problem in many European major cities. Arson is often the preferred method the Muslims will use to weaken the society. Ratio is an average 100 arson attacks per 100 000 Muslims annually.

4. This includes the direct and indirect murder of Europeans committed by Muslims living in Europe. There us an average of 10 murders per year, per 100 000 Muslims. Ratio is an average 10 murders per 100 000 Muslims annually.

Wherever there is a presence of Muslims, Islamisation occurs

The ubiquity of the intrusive security measures in our society, security measures necessary for one reason and one reason only; to defend us from Islamic criminals and terrorists who are here only because Muslims are here. This is the proof that by the very fact of admitting large numbers of Muslims into our society, we have already lost our freedom to the power and the threat of Islam. And, again, no one ever points out this screamingly obvious fact. No one ever says: the reason we now live in a bunkered society is that Muslims are among us. If the Muslims hadn't been allowed to come here, these suffocating security measures would never have been necessary; if the Muslims weren't here, the security measures would instantly become unnecessary.

These Muslim perpetrators view Europe as "dar-al-Harb" (house of war), as taught in the Quran. As such, the exploitation and pillaging of European resources and people is the divine right of all Muslims. A kafr/infidel is an individual regarded as human garbage to a devout Muslim, a second class citizen. The Muslims therefore takes advantage of their Allah-given prerogative to rape, kill and steal from Europeans as they view this as the spoils of war.

Make no mistake. These Muslims must be considered as wild animals. Do not blame the wild animals but rather the multiculturalist category A and B traitors who allowed these animals to enter our lands, and continue to facilitate them. This is nothing less than a genocide aided and abetted by our own elites, primarily Marxist, suicidal humanist and capitalist globalist politicians and journalists. They will eventually pay the ultimate price for their war crimes. Judgment day is coming closer for each and every category A and B traitor. No mercy will be shown to them because they know what they have done and continue to do.

2.41 Various forms of Jihad

Islamists cannot wage all out war on Europe and expect to win. But they have a religious duty to try to wage Jihad in some way and eventually conquer all countries. There are more devious ways to conquer than straightforward war, however. As you can see, many of these things are already being done.

As we all know, Jihad means struggle. It is every Muslims duty to contribute to or perform Jihad in one way or the other.

Political/Democratic/Apologistic Jihad (Rhetorical/psychological warfare)

Thousands of active Islamic apologetics on all arenas (ranging from internet forums to the public debate elsewhere). Their primary goal is to discredit, pacify and silence all whom criticise Islam and Demographic Jihad.

Objectives:

- 1.** Terminate European freedom of speech by replacing it with hate-crime bills.
- 2.** Wage a war of words using charismatic individuals who directly or indirectly promote and defend Islam.
- 3.** Engage the European public in dialogues, discussions, and debates in colleges, universities, public libraries, radio, TV, churches and mosques on the virtues of Islam. Proclaim how it is historically another peaceful religion like Judaism and Christianity with the same monotheistic faith.
- 4.** Nominate Muslim sympathisers to political office to bring about favourable legislation toward Islam and support potential sympathisers by block voting.
- 5.** Take control of as much of the press, TV, radio and the Internet as possible by buying the related corporations or a controlling stock.
- 6.** Funding European educational institutions for the purpose of manipulating school curriculum.
- 7.** Yield to the fear of the imminent shut-off of the lifeblood of America – black gold. Europe's economy depends on oil and much of it comes from the Middle East.
- 8.** Yell "foul, out-of-context, personal interpretation, hate crime, Zionist, un- American, inaccurate interpretation of the Quran (al-Taqiyya)" anytime Islam is criticised or the Quran is analyzed in the public arena.
- 9.** Encourage Muslims to penetrate the parliament, specifically with Islamists who can articulate a marvellous and peaceful picture of Islam. Acquire government positions and get membership in local school boards. Train Muslims as medical doctors to dominate the medical field, research and pharmaceutical companies. Establish Middle Eastern restaurants throughout Europe to connect planners of Islamisation in a discreet way.
- 10.** Provide very sizable monetary Muslim grants to colleges and universities in Europe to establish "Centers for Islamic studies" with Muslim directors to promote Islam in higher-education institutions.

- 11.** Let the entire world know through propaganda, speeches, seminars, local and national media that terrorists have hijacked Islam, when in truth, Islam hijacked the terrorists.
- 12.** Appeal to the historically compassionate and sensitive Westerners for sympathy and tolerance towards Muslims in the West who are portrayed as mainly immigrants from oppressed countries.
- 13.** Form riots and demonstrations in the prison system demanding Islamic Sharia as the way of life, not the national justice system.
- 14.** Unify the numerous Muslim lobbies in the EU and around Europe, the UN, mosques, Islamic student centers, educational organisations, magazines and papers by Internet and an annual convention to coordinate plans, propagate the faith and manipulate news in the media.
- 15.** Applaud Muslims as loyal citizens of the EU by spotlighting their voting record as the highest percentage of all minority and ethnic groups in Europe.
- 16.** "Victimisation" rhetoric as the most potent weapon. This is very obvious in both the Palestine struggle but was also apparent in Kosovo where they used the Serb-Kosovo issue with the support of western media to win new territories. Both are clever use of strategies where victimisation is the key to winning over the media and the sympathy of humanist organisations and western politicians in general.

Demographic Jihad (Demographic warfare)

What is Islamic demographic warfare ("peaceful" Jihad)? I doubt anyone can explain the term better than true professionals:

Houari Boumedienne, Algeria's undisputed ruler until his death in 1978, said it clearly in a 1974 UN speech:

"One day, millions of men will leave the Southern Hemisphere to go to the Northern Hemisphere. And they will not go there as friends, because they will go there to conquer it. And they will conquer it with their sons. The wombs of our women will give us victory."

Libyan Leader Mu'ammr Al-Qadhafi, March, 2007:

There are signs that Allah will grant victory to Islam in Europe without swords, without guns, without conquest. We don't need terrorists, we don't need homicide bombers. The 50+ million Muslims [in Europe] will turn it into a Muslim continent within a few decades.

Breed the non-Muslims out, tactic. The most lethal of all tactics as the democratic West is extremely vulnerable to this form of Jihad. Demographic warfare is in line with democratic principles which historically have proven to be very successful in tandem with other forms of Jihad.

Birth control is efficiently prevented through the teachings of the Quran and the Hadith (Sharia). Furthermore, Sharia ensures that no Muslims are allowed to marry non-Muslims (without the non-Muslim first converting)

1. Accelerate Islamic demographic growth via:

Massive Muslim immigration. Total number of Muslims in Western Europe is now more than 25 million, up from 50 000 in 1955 (7,8 million of them living in France, 12% of the population)

Use no birth control whatsoever – every baby of Muslim parents is automatically a Muslim and cannot choose another religion later.

2. Muslim men marry European women and Islamise them (Approximately 30,000 annually in Western Europe). Then divorce them and remarry later.

Marriage of a Muslim male with a non-Muslim woman is usually acceptable if she is Jewish or a Christian. After marriage the male will usually take measures to convert his wife to Islam. The husband usually push hard to propagate Islam in regards to the upbringing of their children. The children will be Muslims and are given Muslim/Arabic names. Violence is usually a part of the picture. If unsuccessful then divorce is the usual outcome.

3. Self imposed segregation through ghettification. Ghettos develop into Muslim enclaves. This ensures a minimal of “negative” influences from the infidels.

Economical Jihad (Economical warfare)

This varies from direct funding of other variants of Jihad to the “collection of Jizya” through economical theft or exploitation of non-Muslims.

This can be theft, piracy, human trafficking, slave trade of non-Muslim for the purpose of benefiting financially from sexual exploitation, drug trafficking, drug dealing to non-Muslims etc).

The common factor here is that all crime is directed against non-Muslims often with the purpose of financing other variants of Jihad.

Jihadi economical crimes against non-Muslims for the sake of financing other variants of Jihad. Very often the economical loss of the non-Muslim will be the goal in itself.

A majority of these criminals are not very intelligent or even practising Muslims. Nevertheless, they have very often been given guidance or instructions by other Muslims to ONLY target non-Muslims.

Examples of this type of activity ranges from petty theft aimed against non-Muslims all over Europe to Somali piracy targeting non-Muslim ships.

Other objectives:

1. Take control of as much of the press, TV, radio and the Internet as possible by buying the related corporations or a controlling stock.
2. Open numerous charities throughout Europe, but use the funds to support Islamic terrorism with European funds.

PR and psychological Jihad

9/11, 7/7 London Bombings, Madrid bombings, Mumbai attack etc. The purpose of these attacks is to act as PR for Salafi Islam and/or for propagating Jihad. The main purpose of these attacks is to inflict psychological damage on the enemy and as a recruitment tool to other variants of Jihad.

Other:

- 1.** Send intimidating messages and messengers to the outspoken individuals who are critical of Islam with the purpose of silencing them and any other who would dare.
- 2.** Nullify Europe's sense of security by manipulating the intelligence community with misinformation. Periodically terrorise Europeans with reports of impending attacks on bridges, tunnels, water supplies, airports, apartment buildings and malls.

Armed (military) Jihad

These military campaigns often occur very discretely, often through the funding of Muslim groups/leaders in various countries, with the primary goal of exterminating the non-Muslims of that particular country through mass murder, deportation and acts of genocide.

The current Jihad in Sudan is a very good example where 500 000 – 1 million non-Muslims have been massacred the last few decades, funded by Saudi Arabia and other Muslim nations/groups.

The purging of non-Muslims in the Sindh area (Currently Pakistan), Iraq, Jordan, Syria, Northern Africa etc are other cases where non-Muslims have been systematically exterminated through armed Jihad, pogroms etc.

Jihad through Dawah (invitation/missionary)

This ranges from peaceful invites to visit Islamic cultural centers to more aggressive invitational campaigns directed against for example people of African descent in the prison system.

- 1.** Convert angry, alienated black inmates (and in some cases native Europeans) and turn them into militants (so far 2,000 released inmates have joined al-Qaeda worldwide). Only a few "sleeper cells" have been captured in Afghanistan and on American soil.
- 2.** Reading, writing, arithmetic and research through the European educational system, mosques and student centers (now 1,500) should be sprinkled with dislike of Jews, Christians and democracy. There are currently more than 300 exclusively Muslim schools in Western Europe which teach loyalty to the Ummah, not the national constitution. In January of 2002, Saudi Arabia's Embassy in Washington mailed 4,500 packets of the Quran and videos promoting Islam to America's high schools – free of charge. Saudi Arabia would not allow the U.S. to reciprocate. It is unknown how common this practise is in Western Europe.

3. Raise interest in Islam on European school campuses by insisting that junior students take at least one course on Islam.

Chemical Jihad (Chemical warfare)

Taliban using Heroin as Chemical Jihad against the West

However, this is not limited to the Taliban. A large majority of Muslim drug traffickers/dealers all across Europe only sell to non-Muslims (this is very often sanctioned by local Imams).

Making their subjects addicted to heroin is also a central factor when "processing" non-Muslim girls for sexual/financial exploitation. Systematic rape followed by injecting them with drugs is the usual way to break them down making it easier to exploit them.

From

http://atlasshrugs2000.typepad.com/atlas_shrugs/2009/02/chemical-jihad-muslim-terror-gangs-target-uk-with-killer-heroin.html

TERROR chiefs plan to flood our streets with heroin in a terrifying plot to wage "chemical jihad" on Britain. And they have been using hate-filled Muslim gangs as their UK dealers.

Pakistani and Afghan-based al-Qaeda and Taliban warlords are sitting on a £6billion stash of deadly heroin.

And they have ordered their dealers to sell it only to non-Muslims.

The ruthless racket is a two-pronged attack which peddles death and misery with heroin while netting massive sums to pay for future terror attacks.

A senior security source told the Daily Star Sunday: "The Afghan poppy fields are probably the biggest financial contributor to al-Qaeda and the Taliban.

"The UK's heroin trade is increasing at an alarming rate and most of the cash helps arm terrorists with bombs and guns."

Between 1990 and 2005 Taliban-linked drug peddler Haji Baz Mohammed raked in a staggering £17billion by pouring heroin into North America.

He told a US court that **"selling heroin was a jihad because they were taking Americans' money and the heroin was killing them"**.

Now the fanatics have made the UK their top target. A whopping 30 tonnes of heroin is being smuggled into Britain every year.

The drug is grown in the Afghan badlands and bought for £1,500 a kilo in neighbouring Pakistan.

It's finally sold on Britain's streets, often in the backs of cabs or over kebab shop counters, at between £30 and £50 a gram.

Asian [*Muslim*] gangs are operating in South London, Luton, Preston, Manchester, Leeds, Oldham, Birmingham and Bradford. Our investigators went on the hunt for heroin in Luton and did a deal in the back of a taxi.

Pulling out a handful of wraps, the driver said: "I'll sort you a fix for £10 but a gram's £50. It's knockout gear." Asked where the drugs came from he said: "Poppy fields between Pakistan and Afghanistan."

"The big bosses have Taliban and al-Qaeda connections and we're often told only to deal it to non-Muslims. They call it chemical jihad and hope to ruin lives while getting massive payouts at the same time."

"But there are lots of big-hitters who only sell to non-Muslims – to poison them."

One of the Asian gangs is the so-called Gambino clan – a 100-strong mob named after the notorious US crime family.

A 40-year-old small-time dealer turned Christian told us: **"The Gambinos are the Pakistani Muslim gang that control most of the drug trade in Luton – and they've all got good connections to al-Qaeda."**

"Heroin and crack are on sale 24 hours a day and they get local taxi drivers to drive the gear around and do deals.

"It's a massive business. They're untouchable."

Source:

<http://doctorbulldog.wordpress.com/2009/02/23/taliban-using-heroin-as-chemical-jihad-weapon-against-the-west/>

2.42 The Islamisation process in European countries

Background

The Islamic takeover of a country or a region of the country – is dependent on the relative proportion of Muslims compared with non-Muslims, and/or the influence of militant Muslims among the Muslim population. A higher proportion of Muslims among the population - or the growth of the number of militants among Muslims (even though Muslims constitute a smaller part of the population), drive the political development along a certain path. A successful assimilation process may change that path but there seems to be no definite examples yet of such a process.

We need theories that describe (later also explain) the political development in a country with a growing Muslim minority (or a growing militancy among the Muslim population) and which country doesn't carry out a strategy to oppose Islamisation. A preliminary version of a theory (concentrating on parts of the conflict between political (traditional) Islam and domestic non-Muslim forces) is presented below. On the basis of that description of the political process, we then formulate (sect. 2) the structure of a prescriptive theory (a policy model) that can cause this process to be stopped and therefore avoided. In sect. 4.1-12, this model is then filled with contents, and an integrated policy helping to preserve the traditional rights in a European country is described in all its parts and details.

It is our hope that those detailed policy proposals regarding different areas of life in the society will be thoroughly discussed by all interested bloggers at this forum. Perhaps a majority view may form about the specific contents of the various individual policies (each regarding a different area). The results will later serve as parts of a comprehensive policy that can serve as an example for many political parties in Europe which - during the coming decades - will find it necessary to formulate their policies regarding how to preserve a free society.

By showing an extensive and detailed policy proposal, it may be possible to influence the structure of that discussion and set the basic parameters for the debate in hundreds of political parties, or organisations, in Europe.

The process and its phases

The basic development process seems to follow a pattern where eight phases can be discerned. These phases are described below, but just briefly. Later a more extensive description of them will be given. An underlying assumption is that a growing Muslim minority allows radical Islamists to influence a growing part of the population in the country. The contents of the traditional Islamic doctrine which is recognised by all four schools of Islam to be the valid one (various interpretations differ - of course - between them), seems to support the interpretations of the radical Islamists regarding many matters. That is probably a main reason for the passivity and silence of the so called "moderate" Muslims who don't have a comprehensive theoretical doctrine to lean upon. Another reason may be that many, or most, "moderates" share the same goals as the radical Islamists but just oppose some of their methods. Fear of reprisals can also be a cause of their passivity. The radicals also have strong international support, including the financial support.

On the basis of our empirical knowledge about the political development in Muslim countries, the attitudes regarding many matters of Muslims in Europe and other pieces of information e.g. their reactions during the first five years of the war on terror, a good prognosis can be made. During the coming decades, numerous examples from Europe will illuminate the different phases and their contents.

a. The starting point is a Western society with a normal development. Social peace, satisfactory economic growth, ordinary crime levels, and changes in government depending on democratic elections. The number of Muslims in the population is very low, and their influence on society negligible.

Current examples: Finland, Baltic states.

b. An initial phase when the proportion of Muslims is still fairly small, certain areas of human life of the immigrant population are in practice left alone by the authorities. This allows repression of girls and women in many Muslim families. Open or concealed honour murders which enforce some behavioural rules of the Muslim minority happens now and then. A high birth rate among Muslims and a high level of immigration from Muslim countries is promoted inside the Muslim society.

Infrequent proposals aiming at establishing Sharia regarding various matters, acknowledging Muslim holidays as o are presented. Another characteristic is increasing levels of crime motivated by attitudes often connected to jihad e.g. an increasing level of rapes of non-Muslim women.

The incidence of rapes carried out by Muslim men in Norway against non-Muslim women

is many times higher than rapes by non-Muslim men. The rape frequency in e.g. Oslo per capita is said to be more than five times higher than in New York City. And two thirds of these rapes are committed by immigrants even though they still constitute a rather small part of society. This does not only reflect the dysfunctional relations between sexes in the Muslim part of society but is also a sign of an early "light-version" example of the influence of jihad thinking in the country. Charities, property crimes including credit card crimes are used to collect money for global jihad.

Current examples: USA, Sweden, Norway, Denmark.

c. Preparations for jihad: Beginning of geographic no-go areas for the police and public administration officials. Frequent physical attacks and even single infrequent murders of policemen or persons opposing political Islam. Death threats against adversaries are common. An increasing physical destruction of property by groups, influenced by the radical imams and the jihadists.

Besides frequent proposals to introduce Sharia laws, we find established "private" Sharia courts in certain areas judging matters of special interest to Muslims. Property crimes of various types in order to finance the beginning of a domestic jihad movement.

Current examples: France; beginning in England, Netherlands, Sweden (Malmö).

d. Start of jihad: Murders of individual policemen or active anti-Muslims with a certain frequency, which murders carry an evident political message. An organised countrywide Islamist movement appears, and some mosques start to retreat from liberal versions of Islam used as a deception during the initial stages (1-3). Establishment of definite no-go areas where militants put taxes on corporations and individuals. Extortion of individuals outside these areas.

Frequent use of unofficial (or now maybe even official) Sharia courts as a substitute for ordinary courts, in the "liberated" areas. Militias start to form among non-Muslim groups in society. Nationalistic non-jihad parties grow rapidly in importance in the political life. The emigration of European citizens from the country increases significantly.

Current examples: Beginning in France.

e. Development of jihad: Frequent murders of policemen, teachers and well-known individuals opposing political Islam. Physical fights between groups of Islamists and policemen, and even occasional fire fights around and outside the borders of the "liberated areas". Militants start to openly show weapons and declare far-reaching political goals e.g. taking over a region or the whole country. The liberal western versions of Islam disappear completely at many mosques when it now is of less interest to Islamists to deceive, and radicals put pressure on still moderate mosques.

Militias of non-Muslims groups grow in strength and start to take infrequent part in the fighting. A growing physical separation between different religious groups in the society. The level of emigration starts to become a national problem. Passive governments and passive political parties are replaced by hard-line nationalistic parties.

Current example: South of Thailand

f. Jihad: Insurgency Use also of the state's military force against larger groups of Islamists in regular military fights. A national Home Guard is organised to try to prevent

private militias to grow and take over the main responsibility of protecting domestic citizens. Campaigns by the Islamic movement to convince media and the population of their right to dominate certain areas of the country proclaimed to be Muslim. Constant murders and kidnappings of opponents and well-known persons.

Coercion of Muslim young men to take part in jihad. Regular taxation of people in the liberated areas and extortion against citizens outside those areas. Few Muslim groups help the government, while some declare neutrality.

Current example: The Philippines

g. Jihad to Civil war. Large-scale military fights when the domestic forces fight the Islamic movement's goal to dominate a geographic region, or the country. Militias and the national Home Guard complement the army. Widespread executions, terror, cruelty, mayhem and widespread destruction reign in urban areas. Definite separation between Muslims and non-Muslims leads to large-scale movements of the population.

Neighbouring countries will help the European citizens in the specific country with – as a last resort – armed assistance. Neighbours or NATO are in some cases asked by the government of the country to intervene militarily to help in the fight.

Example: Lebanon during the seventies – end of eighties.

Victory for European forces (A), or victory for Islam (B)

(A) A possible end result of a civil war resulting in a victory for the domestic population will be the total banishment of traditional Islam from a specific country. Widespread emigration/deportation and large scale conversion of Muslims in the country.

(B) A victory for Islam will allow all the rules of a victorious Islam to be applied. Traditional Islam will substitute for all liberal western versions of Islam that have grown in the country but still lack any real theoretical basis and a real doctrine.

Massive and nationwide expropriations, slavery of conquered women, continued slaughter of non-Christians and Christians known for opinions opposed to Islam and of moderate Muslims who initially try to protect non-Muslims, murder of minorities' e.g. gays. A Muslim dictatorship without democracy similar to religious dictatorships in the Middle East, is established.

The Sharia laws are the basis for a new constitution and the laws of the country. The institution of dhimmitude is introduced and will regulate the life of Christians and Jews. The rest of the population will slowly be eliminated. The GNP declines successively to less than 50 % of its former level, and an insignificant growth happen only during good years.

A preliminary discussion of a few phases

If the governments of a European country during the coming decades show an unwillingness to protect its European citizens from the inroads of Islamists, this attitude will sooner or later lead to violent conflicts between the traditional or new political anti-jihad forces, and the radical Islamic movement. It seems highly possible that the development phases 2-3 may last a long time in societies with strong democratic traditions, a good educational system and – from the beginning - a fairly homogenous ethnic population. The infiltration and dissemination of political Islam's values among

non-Muslims and moderate Muslims will then during a long period be carried out mainly with non-violent means. The methods of this missionary and pre-Revolutionary work during phases 2-4 show a pattern which will be analysed later. That work is often structured according to principles laid down by e.g. the Moslem Brotherhood for the expansion of political Islam in European countries.

This growth of Islamic influence can be counteracted by certain laws and policies. The acceptance of such laws and rules by the majority will probably in many countries be dependant on how far a country has advanced towards violent conflict between the population groups. Gullible socialists and anti-Western parties in a western country may decide not to stop the slide down the slope toward more and more violence. They will prevent employment of the firm methods which can stop the journey towards civil war. But sooner or later - if the traditional parties will not protect the European population against the continuous expansion of radical Islamic demands and actions - the European population will shift their political preferences to nationalistic parties. It is a sign of real weakness if traditional political parties are not able to handle the new danger correctly. If they don't and new political forces get into power, protective measures will be realised in those countries. The policy measures will eliminate the possibility of an un-integrated Muslim population group to take over and dominate the country politically and religiously.

So it is not so much a question about if the measures in sect 2 and 4 will be adopted. The main question is instead *when*. Will a lot of civil strife - perhaps even an insurgency - happen before definite measures are taken? Will a lot of valuable time, a large number of lives, and huge amounts of wealth be wasted before today's politicians understand what really is happening, or they are exchanged and correct measures are taken?

The proposed policies will stop the development towards more and more influence for traditional Islam and violence and - in the end - insurgency and perhaps civil war. They will lead to Muslims integrating into the society with values that resist traditional - and therefore political - Islam.

An exceptional case is that the phases 4-5 are more or less bypassed and Muslims are allowed to grow to become a majority in a country. Feeling its new power, the new government will then soon start to take away the freedoms and human rights of non-Muslims. This breaks the bonds between the citizens of the country, and the original population will defend its ancient values of freedom, and an insurgency and later a civil war will ensue. However, the government will in this case be favourable towards radical Islam, and the army will then be paralyzed. The European officer corps and the non-commissioned officers have not yet been replaced. Non-Muslims will later according to the rules of dhimmitude not be allowed to own weapons, or be part of the armed forces. The fighting will be carried out by militias.

A calm and orderly transformation to dhimmitude for the non-Muslim part of the population combined with widespread emigration of Europeans is improbable. So even in these circumstances with a Muslim majority, civil war will erupt, and Muslims and non-Muslims in different European countries will intervene and help each other.

Each one of the phases above deserves its own detailed description and analysis.

Source:

<http://www.islam-watch.org/NoSharia/PreventEuropeIslamization1.htm>

2.43 Islamisation process of Western countries from 1% to 100%

The constant process of the Islamisation of a country sets forward from small issues and the specific demands/requirements develop and increase progressively with the increase of Muslims percentage wise in a country. First batch of demands issues are noticeable already when the Muslim population are at 1% increasing until they become 90 and then 100%

Historical case studies available are Lebanon, Kosovo, Kashmir, Egypt etc.

When the politically correct (cultural Marxists/multiculturalists) agree to 'the reasonable' Muslim demands for their 'religious rights,' they also get the other components under the table. Here's how it works (percentages source CIA: The World Fact Book (2007)).

From 1-5%

As long as the Muslim population remains around 1% of any given country they will be regarded as a peace-loving minority and not as a threat to anyone. In fact, they may be featured in articles and films, stereotyped for their colourful uniqueness:

At 2% and 3% they begin to proselytise from other ethnic minorities and disaffected groups with major recruiting from the jails and among street gangs:

From 5-10%

From 5% on they exercise an inordinate influence in proportion to their percentage of the population.

They will push for the introduction of halal (clean by Islamic standards) food, thereby securing food preparation jobs for Muslims. They will increase pressure on supermarket chains to feature it on their shelves -- along with threats for failure to comply. (United States).

At this point, they will work to get the ruling government to allow them to rule themselves under Sharia, the Islamic Law. The ultimate goal of Islam is not to convert the world but to establish Sharia law over the entire world.

From 10-20%

When Muslims reach 10% of the population, they will increase lawlessness as a means of complaint about their conditions (Paris --car-burnings). Any non-Muslim action that offends Islam will result in uprisings and threats (Amsterdam - Mohammed cartoons).

Guyana -- Muslim 10%
India -- Muslim 13.4%
Israel -- Muslim 16%
Kenya -- Muslim 10%
Russia -- Muslim 10-15%

After reaching 20% expect hair-trigger rioting, jihad militia formations, sporadic

killings and church and synagogue burning:

Ethiopia -- Muslim 32.8%

From 40-60%

At 40% you will find widespread massacres, chronic terror attacks and ongoing militia warfare:

Bosnia -- Muslim 40%

Chad -- Muslim 53.1%

Lebanon -- Muslim 59.7%

From 60-80%

From 60% you may expect unfettered persecution of non-believers and other religions, sporadic ethnic cleansing (genocide), use of Sharia Law as a weapon and Jizya, the tax placed on infidels:

Albania -- Muslim 70%

Malaysia -- Muslim 60.4%

Qatar -- Muslim 77.5%

Sudan -- Muslim 70%

From 80-100%

After 80% expect State run ethnic cleansing and genocide:

Bangladesh -- Muslim 83%

Egypt -- Muslim 90%

Gaza -- Muslim 98.7%

Indonesia -- Muslim 86.1%

Iran -- Muslim 98%

Iraq -- Muslim 97%

Jordan -- Muslim 92%

Morocco -- Muslim 98.7%

Pakistan -- Muslim 97%

Palestine -- Muslim 99%

Syria -- Muslim 90%

Tajikistan -- Muslim 90%

Turkey -- Muslim 99.8%

United Arab Emirates -- Muslim 96%

100% will usher in the peace of 'Dar-es-Salaam' -- the Islamic House of Peace -- there's supposed to be peace because everybody is a Muslim:

Afghanistan -- Muslim 100%

Saudi Arabia -- Muslim 100%

Somalia -- Muslim 100%

Yemen -- Muslim 99.9%

Of course, that's not the case. To satisfy their blood lust, Muslims then start killing each

other for a variety of reasons (Arabisation being one reason[1]).

'Before I was nine I had learned the basic canon of Arab life. It was me against my brother; me and my brother against our father; my family against my cousins and the clan; the clan against the tribe; and the tribe against the world and all of us against the infidel. – Leon Uris, 'The Haj'

It is good to remember that in many, many countries, such as France, the Muslim populations are centered around ghettos based on their ethnicity. Muslims do not integrate into the community at large. Therefore, they exercise more power than their national average would indicate.

100% All non-Muslims have been annihilated, emigrated from the country or have converted to Islam.

Source:

<http://frontpagemagazine.com/Articles/Read.aspx?GUID=4DE15EF9-A76C-4DD4-81E2-75683AEED74D> By Dr. Peter Hammond

1. <http://en.wikipedia.org/wiki/Arabization>

The definition of an Islamic no-go zone

Cultural Marxists will claim that there is no such thing as an Islamic no-go zone anywhere in the world, perhaps except in Waziristan. This is of course propaganda as we know for a fact that there are thousands of Islamic no-go zones all across Europe, in or close to our major cities.

There are more than 800 Islamic no-go zones in France alone and more than 30 in Norway. The number correlates with the proportion of Muslims in an area/ghetto/enclave. And the number of Islamic no-go zones in Western European cities increases every single day.

Definition:

1. Where non-Muslim individuals (youth are especially vulnerable) cannot move freely without immediate danger of getting assaulted, robbed, raped, beaten, harassed (physically or psychologically) by Muslim gangs or individuals.
2. Where non-Muslims cannot express individuality in all free forms (including religious, sexual, cultural) without immediate danger of getting assaulted, robbed, raped, beaten, harassed (physically or psychologically) by Muslim gangs or individuals.
3. Where drunk, lightly dressed, non-Muslim girls/women cannot move freely after dark without immediate danger of getting assaulted, robbed, raped, beaten, harassed (physically or psychologically) by Muslim gangs or individuals.

Islamisation or the creation of Islamic no-go zones is under development from the first Muslim family moves into a neighbourhood. As soon as this very first family moves in, a

progressive dhimmitude begins for all non-Muslims as they, at first, out of politeness (or due to PC) chose to show special considerations towards the Muslims (we wouldn't want them to feel offended in any way do we?). Considerations/politeness develops into uncomfortable pressure to give the Muslims an increasing number of concessions. The process of Islamisation starts with the demands for halal-food (1%) and ends in genocide (at 50-80%), as several hundred historical examples have shown. You cannot reason with Islam. Islam consumes everything eventually unless it is stopped in a decisive manner. The process of Islamisation from 1% to 100% follows a classical and well known pre-defined pattern as specified in another section of this book. Had this "first family" been deported/chased away/killed the process of Islamisation and the creation of future Islamic no-go zones can/could be avoided. Islamic demands lead to dhimmitude for the non-Muslims. Dhimmitude ALWAYS lead to a point where non-Muslims surrender and move out of the area or are systematically killed like we see with the Christian/Jewish/Hindu/Buddhist minorities in Iraq, Iran, Turkey, Egypt, Bangladesh, Indonesia and in more than 30 other countries/territories. The moral of the story is; you cannot reason with Islam, you can only isolate it.

2.44 List of Muslim demands for Sharia in Europe

2001

If only the West stop criticising Islam, Muslims will not feel stigmatised and there will be no more terror attacks.

2030

If only the UK, Greece, Switzerland and the Nordic countries remove the cross from their flags, Muslims will not feel discriminated against and there will be no more terror attacks.

Realistic scenario? Likely

This is an overview of the current "demands/suggestions" made by moderate Muslims as a way to prevent "stigmatisation and discrimination" which according to them are the root causes of Islamic terror:

Sharia and Muslim Burial rituals

Muslims have for years demanded separate Muslim burial sites. In addition they want Sharia compliant burial services.

- The body has to be buried within 24 hours
- Coffins are not allowed, the body must be buried in cloth.
- Cremation is forbidden
- Positioning the deceased so that the head is faced towards Mecca

There was a proposal to alter the name of Aldgate East underground station near Brick Lane to Banglatown. Last year (2008), because of a shortage of cemetery space for Muslims it was proposed by one Muslim councillor to relocate the graves in Tower Hamlets Cemetery elsewhere in order to construct a "multi-faith burial site" – a Muslim burial site.

Why did the graves need to be dug up? Because dead Muslims cannot be buried alongside Christians and other infidels. There are some relatives of those buried in that cemetery still living. The dead include victims of the famous Bethnal Green tube disaster of 1943.

Sharia and Public pools[1]

Includes reserving the pools to women, female lifeguards, swimming hijabs[1] and to secure the area so that no men has access. In many cases this will include covering up any underwater windows while there is a Muslim swimming session.

Results:

There are currently hundreds of arrangements like these all over Europe.

Sharia car insurance[2] (Halal insurance – known as “takaful”)

Results:

Slowly popping up in European major cities.

Sharia compliant food[3] (Halal food)

Halal meat has been a known phenomenon in Europe for decades. However, some McDonald’s outlets now serve halal chicken, while larger branches of Tesco offer a range of halal foods, including halal chocolate, halal cheese and halal candy.[1] So far, it has targeted the Muslim community through Islamic publications and on billboards.

Chief executive Bradley Brandon-Cross of Tesco said: ‘It is the responsibility of British institutions to cater for such changes and welcome diversity.’

Sharia compliant food is also served in many prisons and offered by several air lines.

Sharia-compliant Gold Mastercard[4]

The Cordoba Gold MasterCard does not charge or receive interest as this is in direct conflict with Sharia Law. The company also donates at least 10% of its profits to “charities” in the UK and abroad. It is supported by a board of ethical advisor's, some being mullahs.

Sharia compliant Banks[5]

The UK's Muslim population totals about two million and fully sharia-compliant banks have more than 30,000 customers across the UK.

Sharia compliant Mortgages[6]

Under Islamic law (Sharia) the payment or receipt of interest (riba) is forbidden. Interest is seen as a payment that is unrelated to the value of the goods or assets being traded, and is considered sinful.

There are tens of Sharia banks across Europe today.

Sharia crime courts in Europe[7]

Sharia law "courts" are already dealing with crime on the streets of major European cities.

One example illustrates the following:

A teenage stabbing case among the Somali community in Woolwich had been dealt with by a sharia "trial". Youth worker Aydarus Yusuf, 29, who was involved in setting up the hearing, said a group of Somali youths were arrested by police on suspicion of stabbing another Somali teenager. The victim's family told officers the matter would be settled out of court and the suspects were released on bail. A hearing was convened and elders ordered the assailants to compensate the victim.

"All their uncles and their fathers were there," said Mr Yusuf. "So they all put something towards that and apologised for the wrongdoing."

An Islamic Council in Leyton also revealed that it had dealt with more than 7,000 divorces while sharia courts in the capital have settled hundreds of financial disputes. Along with the Islamic Council in Leyton, there are reports of at least two other sharia courts sitting in London. There are also courts in a number of other areas of the country with high Muslim populations, including Dewsbury in West Yorkshire, Birmingham and Rotherham, South Yorkshire. Most are understood to concentrate on divorce cases - although such judgments are not recognised in British law - as well as financial disputes.

Suhaib Hasan, a spokesman for the Islamic Sharia Council in Leyton, which was set up in 1982, said that he and his colleagues dealt with more than 200 cases a year, ranging from inheritance to marriage and divorce. "From the beginning, people have wanted our services. More and more come back to us. Each month we deal with 20 cases," he said.

As well as giving advice on legal matters, such as inheritance, the website also gives general guidance on Muslim practices including the need for beards and the need for women to cover themselves in public. It also covers issues such as whether women should train as doctors.

Sources:

1. <http://www.thechronicleherald.ca/Front/1073661.html>
http://misskelly.typepad.com/photos/uncategorized/muslim_swimsuit.jpg
2. <http://www.dailymail.co.uk/news/article-1045959/Sharia-car-insurance-For-time-Muslims-buy-policies-line-Islamic-law.html>
3. <http://www.dailymail.co.uk/news/article-1045959/Sharia-car-insurance-For-time-Muslims-buy-policies-line-Islamic-law.html>
4. http://www.asianimage.co.uk/display.var.2422427.0.shariacompliant_card_launched.php
5. http://www.asianimage.co.uk/display.var.2422427.0.shariacompliant_card_launched.php
6. http://www.mortgagesorter.co.uk/islamic_mortgages.html
7. <http://www.dailymail.co.uk/news/article-513020/The-British-sharia-crime-court-cafe-knifemen-walk-free.html>

2.45 Saudi Arabia – The serpents head

Saudi Arabia has a history of funding terrorists. It was the chief bankroller of the Palestine Liberation Organisation in the 1970s and '80s at the height of the PLO's involvement in global terror. But it would be true to say that, worldwide, the Saudis tend to fund the precursors to terror rather than terror itself. Since the 9/11 attacks in the US, in which the majority of hijackers were Saudis, the Saudi Government, under intense US pressure, has tried to exercise greater care and control over where Saudi money goes.

According to official Saudi information, Saudi funds have been used to build and maintain over 1,500 mosques, 202 colleges, 210 Islamic Centers (2007 figures) wholly or partly financed by Saudi Arabia, and almost 2,000 schools for educating Muslim children in non-Islamic countries in Europe, North and South America, Australia and Asia.

The Kingdom has fully or partially financed Wahhabi Islamic Centers in:

- Austria
- Great Britain
- France
- Spain
- Italy
- Germany
- Netherlands
- Belgium
- Sweden
- Denmark
- Norway
- Switzerland
- Russia
- US
- Australia

and even in some Muslim countries such as Turkey, Morocco, Indonesia, Malaysia and Djibuti among others.

Its also quite usual that Saudi embassies pay an annual stipend to local Wahabi imams in the range of around 1 000-40 000 USD, depending on which country and region. Saudi aid to Muslims abroad, however, comes with strings attached, and most of the recipient institutions end up promoting the Wahhabi version of Islam.

It is a well known fact that Saudi Arabia and other Arab countries have continued spread Wahabism and other harsh forms of Salafism around the world the last 35 years. Saudi Arabia alone have spent more than 87 billion USD abroad the past two decades propagating Wahabism - "true Islam" in the Muslim world and in the West[15]. The bulk of this funding goes to the construction and operating expenses of thousands of mosques, madrassas and Muslim cultural centers throughout the world. These Islamic institutions are now found in every single country in the West accompanied by Imams who are "Saudi approved".

In the Arab world, in South Asia and in Far East Asia, Islamic workers and Islamic institutions have received aid from Saudi sources (usually private individuals and foundations) that have slowly embedded Wahhabism in many Muslim societies.

Before we continue on the Saudi topic, however, let's try to define certain principles and definitions;

There are four "Schools of Law" in Islam: Hanafi, Shafi'i, Maliki and Hanbali. A majority of the Wahhabists and other Salafists belong to the Hanbali school.

The Western establishment and the so called "Western moderate Muslims" have chosen to label the Saudi version of "traditional Islam" as Wahhabism, Sunni theofascism or Conservative Salafism. The ideology of al-Qaeda can be called Salafi-Jihadi (al-Salafiyya al-jihadiyya) or Jihadi Salafism. However, the so called Wahhabis themselves and other conservative followers of the Salafi school of Islam object to this definition and rather prefer to be called Muwahiddun (Muwahidoon).

Wahhabism or Wahabism is a fundamentalist reinterpretation of Islam by Muhammad ibn Abd-al-Wahhab, an 18th century scholar from what is today known as Saudi Arabia, who advocated what he considered a return to the practices of the first three generations of Islamic history. In short; Wahhabist books and pamphlets teach that Muslims should reject absolutely any non-Muslim ideas and practices, including political ones. In its harshest form it preached that Muslims should not only "always oppose" infidels "in every way," but "hate them for their religion ... for Allah's sake," and that democracy "is responsible for all the horrible wars of the 20th century.[1]

Wahhabism is the dominant form of Islam in Saudi Arabia, and is also popular in Kuwait, United Arab Emirates and several other areas and regions of the world. It is often referred to as a "sect" or "branch" of Islam, though both its supporters and many of its opponents reject such designations. It has developed considerable influence in the Muslim world and the West through the funding of mosques, schools and other means from Persian Gulf oil wealth.

The terms "Wahhabism" and "Salafism" are often used interchangeably. Wahhabism has been called a "belittling" term for Salafi, while another source defines it as "a particular orientation within Salafism," an orientation some consider ultra-conservative.[2]

While the origins of Wahhabism and Salafism were quite distinct - Wahhabism was a pared-down Islam that rejected modern influences, while Salafism was slightly more flexible on the issue - they both shared a rejection of moderate teachings on Islam in favour of direct, 'traditional' interpretations. But despite their beginnings "as two distinct movements", the migration of Muslim Brotherhood members from Egypt to Saudi Arabia and Saudi King Faisal's "embrace of Salafi pan-Islamism resulted in cross-pollination between ibn Abd al-Wahhab's teachings on tawhid, shirk and bid'ah and Salafi interpretations of ahadith (the sayings of Muhammad)."

Salafism differs from the earlier contemporary Islamic revival movements of the 1970s and 1980s commonly referred to as Islamism, in that (at least many) Salafis reject not only Western ideologies such as Socialism and Capitalism, but also common Western concepts like economics, constitutions, political parties, revolution and social justice. Muslims should not engage in Western activities like politics, "even by giving them an Islamic slant." Instead, Muslims should stick to traditional activities, particularly Dawah(missionary activity)[3]. Salafis promote Sharia rather than an Islamic political program or state.

From the perspective of the Salafis themselves, their history starts with Prophet Muhammad himself. They consider themselves direct followers of his teachings, and wish to emulate the piety of the first three generations of Islam (the Salaf). All later scholars are merely revivers (not 'founders'). Modern scholars may only come to teach (or remind) us of the instructions of the original followers of Islam. From the perspective of some others, however, the history of Salafism started a few hundred years ago, the exact time and place still being a matter of discussion.

Some Salafis believe that violent jihad is permissible against foreign, non-Muslim, occupation, but not against governments that claim to be Islamic. Those governments are to be reformed, not violently overthrown. Civil war (fitna) is to be avoided. (Salman al-Auda)

Other Salafis believe that it is permissible, even required, for believers to engage in violent jihad to overthrow oppressive regimes, even if they claim to be Islamic. One of the strongest proponents for violence was Sayyid Qutb, an Egyptian member of the Muslim Brotherhood. After the Egyptian Brotherhood assassinated the Egyptian leader, the Brotherhood was suppressed and Qutb went to jail.

Some Salafis urge believers to support or endure the state under which they live. Believers are encouraged to spread Salafism non-violently, by missionary activity, social work, and political organisation. Above all, they should help each other lead lives of true Islamic piety. (Rabe' al-Madkhali)

In recent years attention has been given to the "jihadi" Salafism of Al-Qaeda, and related groups calling for the killing of civilians, and opposed by many Muslim groups and governments, including the Saudi government and Muslim Brotherhood. Debate continues today over the appropriate method of reform, ranging from violent "Salafism jihadism" to less politicised evangelism. Despite some similarities, the different contemporary self-proclaimed Salafist groups often strongly disapprove of each other and deny the others Salafi character. Typically, the so called Wahhabis and Salafis refer to themselves as "Muwahiddun (Muwahidoon)" or followers of "Ahle Hadith," or "Ahl al-Tawheed."

It's a myriad of definitions which can be quite confusing to the average person. The important thing however is to be aware of how the Islamic apologists try to manipulate western politicians and media in order to "downplay" the extensiveness that Salafism/traditional Islam has in the world.

Informal networks and salafi activism

In order to understand the role played by Salafism in the process of radicalisation of Muslim communities and how this process operates in Europe, one must first examine its characteristics as a movement in the Arab world. In contrast to other formal organisations, Salafism lacks hierarchical structures. The Salafi network structure is decentralised and segmented. The different groups are led by sheikhs or scholars with varying degrees of knowledge of the science of the hadiths, but not necessarily having ties with each other. There is also some element of competition between the sheikhs, each defending his interpretation of the Salaf, or true path, as the correct one. The most important scholars enjoy considerable support among students, who often recommend them to others on account of their vast knowledge of religious issues. There exists only an informal hierarchy based on the reputation of the different sheikhs recognised by the Salafi community. The proliferation of sheikhs means that there is no elite or clearly-defined leadership. This decentralised and cellular structure, in which anyone with religious knowledge can claim leadership of a group, explains how easy it has been in Europe to create groups or autonomous cells willing to blow themselves up without the need for direct orders from a higher authority.

Salafi activism operates through informal networks, the very same networks that have ensured the transmission of Islamic knowledge down the centuries and have proven extremely effective in creating a common Muslim identity. They mobilise in social networks created out of personal relationships and shared beliefs. Surveys of Jordanian Salafis reveal that friends played a crucial role in their conversion to Salafism. The recruitment process is carried out directly during discussions on Islam. Devout Muslims

socialise in circles of friends for whom Islam plays an important role in their lives. Religion is a recurring theme in such circles. Through daily interaction, Salafis explain their theology to their friends until the latter are convinced of the truth of their perspective. In many cases, entire groups of friends convert to Salafism, given that all of them are exposed to the same lessons, speeches, and ideas. The blend of friendship and religious networks creates a high degree of group solidarity, which is still one of the main features of Salafi groups in Europe, enabling the network to survive close scrutiny by intelligence and security services in western countries.

Islamic apologists and Wahhabism

According to the apologists the "evil and fundamentalist little sect of Islam" - Wahhabism is isolated and only found in Saudi Arabia and practiced by al-Qaeda and the Taliban. The truth however is that various versions of Salafism (Jihadi Salafism being the most extreme) is an important factor in every single Muslim country.

Wahhabism is the dominant form of Islam in Saudi Arabia, and is also popular in Kuwait and the United Arab Emirates. Wahhabism is also found in several parts of Somalia, Algeria and Mauritania.

A strict version of Salafism (Ahle Hadith) is found in several Middle Eastern countries and South Asia, in particular, Pakistan and India.

Other forms of Salafism are quite dominant in Palestine, Syria and Jordan. It is also found in most other Muslim-majority countries, including Turkey, Bosnia and Kosovo.

2.46 How many Muslims worldwide support militant Islam or Jihadi Salafism?

This is in fact a very complicated question with many facets. First of all you have to consider the fact that there is a big difference between active support, sympathising and empathising with this cause. You also have to realise that an armed Jihad (armed struggle) always have specific goals. The Jihadists in Dagestan, Chechnya, Southern Thailand, Southern Philippines, Syria (Palestine) etc. all want to create Islamic states and implement Sharia. In order to reach this objective they must wage war and defeat the infidels (non-Muslims). However, al-Qaeda and Jihadists in the West have other objectives. They acknowledge the fact that Islam is still very weak in Europe, so an armed Jihad in the streets of European capitals is not advised at this point. Islam and the number of Muslims need to grow a few more generations. Al-Qaeda therefore seek to silence the Western media and Western politicians by creating fear in our hearts in order to force them to capitulate to radical Islam. The so called Moderate Muslims are playing "good cop" in this context. They will blame poverty, modern colonialism (Israel, Iraq, and Afghanistan), discrimination, stigmatisation and other root causes as the reasons for the rise of Jihadi Salafism. They will ask for concessions from European politicians and media in order to "prevent" radical Islam.

According to Daniel Pipes[11], approximately 10-15% of Muslims around the world actively support militant Islamists (usually economic support to Hamas, Hezbollah, Islamic Jihad, al-Qaeda or other terrorist organisations). Since there are more than 1,2 billion Muslims worldwide that totals 120-180 million. These Muslims are spread all over the world and are either militants themselves or direct supporters of militant Islamists. The passive support is much higher. Some polls show that around 60-65% of Muslims support "Islamic Jihad" and similar Middle Eastern terrorist organisations. 36% of Pakistanis believe that the Pakistani army should not pursue al-Qaeda in Pakistan[12].

Sympathy or direct support to Jihadi Salafism is not by any means reserved to Salafi Muslims (Wahhabists or other Salafi groups). Muslims from all schools of Islam sympathise and support militant Jihadists.

Nearly all Pakistani Sunni Muslims belong to the Hanafi school of Islam. The Hanafi school is the oldest one and most liberal and tolerant of the four schools. It is also the largest movement within Islam with around 30% followers worldwide. So does that mean that the Hanafi Muslims are peaceful, moderate Muslims? Unfortunately its a lot more complex than this. All Schools of Law are quite intolerant (Hanbali being the most intolerant). As an illustration; All schools of Islam preach death to homosexuals and apostates (converts from Islam) and pledge the ultimate goal of implementing Sharia in society.

Hanafi being the dominant form of Islam in both Pakistan and Europe would indicate that they were more moderate and tolerant than other Muslims, yet, Muslims from Pakistan are well known for their conservatism and intolerance. There are tens of Genocides and hundreds of mass murders (see pogroms) recorded in history committed by hanafi Muslims. There are thousands of examples of Jihadi killings committed by hanafi Muslims throughout history and this trend continues even today. It is the largest one and it is followed by approximately 30 percent of Muslims worldwide. The Hanafi School is predominant in Turkey, northern Egypt, Levant, and amongst the Muslim communities of the Balkans, Central and South Asia, China, Russia and Ukraine. In other words the Genocide of more than 1,5 million Christian Armenians, the Greek and Assyrian Genocides were also acts of so called moderate "Hanafi" Islam.

2.47 Europe's Wahhabi Lobby

Extremists get together to worry about intolerance.

by Stephen Schwartz - 10/06/2005, Warsaw

I SHOULD HAVE KNOWN something would be out of kilter. At the end of September, the Organisation for Security and Cooperation (OSCE), an international body made up of 55 nations--including such dictatorships as nearby Belarus--called for a day-long roundtable in the lovely and spiritual city of Warsaw. The topic was "Intolerance and Discrimination Against Muslims." Aside from OSCE diplomats, staff, and two representatives of the U.S. Commission for International Religious Freedom, the participants consisted of some 25 representatives of Muslim NGOs as well as European and North American human rights monitors.

I should have known something was amiss because I have witnessed much OSCE mischief since going to postwar Bosnia-Herzegovina and Kosovo in the late 1990s. And don't forget that OSCE was the international organisation with the nerve to propose that it "observe" the most recent U.S. presidential election for presumptive irregularities. But it has an especially bad record in the Balkans, as has been pointed out in *The Weekly Standard*.

The OSCE is, to put it bluntly, political correctness personified. Its agenda for combating intolerance and discrimination includes everyone from prostitutes to victims of schoolyard bullying. But it was obvious that the status of Islam in Europe, which has lately involved bloodshed in several countries, is viewed by OSCEcrats as an intractable challenge. The do-gooders had no apparent choice but to relegate the roundtable on Muslims to a place outside the regular agenda of a weeklong "human dimension" assembly in Warsaw, and to hold the Muslim gathering in the basement of a hotel.

Reliable sources reported that the OSCE's Warsaw conference on Islam came as a trade-off for a conference on anti-Semitism held in Córdoba, Spain, earlier this year. It was soon made clear that the event would serve as little more than a platform for ranters and cranks from such countries as Britain and Denmark who were there to defend radical Islam. It turns out that proponents of Islamist extremism over there are even more aggressive, defiant, and confrontational than their American counterparts.

Thus, a religious functionary from Britain, Imam Dr. Abduljalil Sajid of the grandly (and, it appears, falsely) titled Muslim Council for Religious and Racial Harmony, used up much of the morning's discussion with loud denunciations of Tony Blair for his alleged assault on civil rights in the wake of "7/7." Before that this religious leader, when asked which school of Islamic law, or madhhab, he followed, said, "I shoot all madhdhabs."

Imam Sajid regaled the audience with the many times he had confronted Blair, insisting to the British prime minister that Islam and terrorism are completely unconnected from one another. He also offered up a diatribe against internment at Guantanamo. In the minds of many Muslims at the event, it seemed, the London bombings and the attacks that preceded them, as well as the radical ideology that inspired them, are irrelevant; the only thing that matters is to push back against the legal response of the British, U.S., and other European authorities.

THE PHRASE "the Fight Against Extremism" was included on the agenda of the meeting, but not one word was said about it until the very end, when Turkish diplomat Omur Orhun let his voice sink to a near-whisper. He affirmed, in closing the deliberations, that the problem of extremism would eventually have to be taken up, "because that is what brought us all here." But to listen to many of the other participants one might have thought fear of Muslims among non-Muslims in Europe was a purely gratuitous

expression of bias, or, as Nuzhat Jafri of the Canadian Council of Muslim Women put it, a product of "U.S. foreign policy decisions."

When I pointed out to her that Saudi-financed Wahhabi terrorists have struck Turkey, a country that opposed U.S. policy in Iraq, as well as Morocco and Indonesia, which have nothing to do with Washington's policies, Ms. Jafri limited herself to the admission that additional "root causes" exist; these she left undescribed.

Others were less restrained. Scandinavian countries seem to have experienced a particular incapacity to exclude Muslim extremists from their territories. Bashy Quraishy, a man who disclaims being religious, averring that he is not a practicing Muslim, seems to have adopted the defence of radical Islam as a career move, and is a self-proclaimed functionary of the "Federation of Ethnic Minority Organisations in Denmark." Although he admits his irreligion and distance from Islam, Quraishy has no compunctions about presenting himself as an expert on it.

Quraishy did his best to hog the proceedings. While Imam Sajid asserted the lack of any link between Islam and terror, Quraishy demanded that global media be prevented from even suggesting such a thing. His printed handouts, piled up on a side table, were hallucinatory in tone. To him, "America Under Attack"--a CNN caption after September 11, 2001--was offensively prejudiced. In addition, Quraishy's handouts insisted, "there was no proof, no one took responsibility, and not one particular country or group was singled out" for blame in the World Trade Center and Pentagon attacks. There was nothing more than "finger pointing" at Islam.

Quraishy also recycled the late Jude Wanniski's attacks on Richard Perle as the evil controller of "uncritical and nationalistic journalism and intentional use of anti-Islam terminology as a tool of propaganda." Quraishy reproduced the clichés employed by al Qaeda and its supporters: the "Crusades are back," and Saddam in Iraq was nothing but a "tiny dictator." Quraishy's pamphlets even asserted that "fundamentalist," "ghetto," and "ethnic gangs" are hate terms and should not be used in any media.

The rest of the palaver was less fervid, but equally absurd. Canadian Muslims complained about the effect of the U.S. Patriot Act on their country. As the afternoon wore on, phrases such as "so-called terrorists" were increasingly heard. Brit Mohammed Aziz, of Faithwise, declared that members of his community are "first responsible to God . . . then to the umma," or global Islam, and only lastly to the country in which they live.

All of this came about three months after the horror in London. The meeting ended with nothing more than an agreement to hold more meetings. The OSCE it seems, like much of Europe, has few answers for the challenge of radical Islam--aside from their pieties about discrimination.

Stephen Schwartz is a frequent contributor to The Weekly Standard.

Source:

<http://www.weeklystandard.com/Content/Public/Articles/000/000/006/174gxfos.asp>

2.48 Leaving Islam – interview with an ex-Muslim

By Mohammad Asghar/Jamie Glazov

Frontpage Interview's guest today is Mohammad Asghar, an ex-Muslim who came out of Islam after discovering its true teachings. Together with studying the Qur'an for over twenty-five years, he has also been writing his commentary on its verses - an endeavor, he hopes, that will help non-Muslim leaders, as well as ordinary citizens, understand the true messages they convey to Muslims.

FP: Mohammad Asghar, welcome to Frontpage Interview.

Asghar: Thank you for inviting me to the Frontpage interview.

FP: Tell us about your background and your upbringing as a Muslim.

Asghar: I was born in a practicing Muslim family of Bangladesh. My parents adhered to almost all the tenets of Islam and they made sure that while growing up, I also learned all of them so that I could practice them in my own life. Like many other Muslim children of my neighbourhood, I also attended a Madrassa and learned how to read the Qur'an without, of course, understanding what I was reading.

In my youth, I tried to live the life of a true Muslim. I said my Islamically mandated prayers, though not on a regular basis; visited, and prayed at, the tombs of the Muslim saints; celebrated the birthday of the Prophet of Islam, even though nobody knows even today the year of his birth; celebrated his ascension to the Gardens (Jannat) or Heaven and sang his praises, laden with amorous feelings towards him, whenever my parents and our neighbours organised Mehfil-e-Milad – which is a gathering that Muslims of the Indian sub-continent arrange to reinforce Islamic teachings in the Muslim attendees. I strongly believed that the things I was then doing were part of the duties I owed to Allah and His Prophet and that without pleasing both of them, I would not enter the Garden on the Day of Judgment.

FP: What is the point of teaching children to read the Qur'an without explaining it to them?

Asghar: According to some unconfirmed reports, there are over 1.565 billion Muslims in the world today. Out of these Muslims, only about 300 million understand and speak Arabic. Since a good part of the Qur'an is written in colloquial Arabic, spoken by the tribe of Quraish of the 7th century Mecca, understanding it even by many modern-day Arabic speaking Muslims is not an easy task.

The bulk of the remaining 1.2 billion Muslims live in the Indian sub-continent and south-east Asia. Almost all of them do not know Arabic. Even those people, known as Hafez-e-Qur'an, who commit the whole Qur'an to their memory, do not understand the meaning of the words they so assiduously memorise over a long period of time.

This being the reality, the question is why do Muslims read or memorise the Qur'an without understanding it? The answer to the question lies in the fact that most of them, especially those Muslims who live in the non-Arabic speaking countries, depend on their Mullahs for learning the essential doctrines and practices of their faith. They do what they are told by their Mullahs. This is more so in case of those Muslims who are illiterate and poor. A casual observation of Muslims of the Indian sub-continent will make this fact clear to any interested observer.

These Mullahs tell the ordinary Muslims that reading or reciting the Qur'an in Arabic is the easiest way to earn the pleasure of Allah, a condition without fulfilling which, no human or Jinn would enter the Garden (Jannat in Arabic) on the Day of Judgment. This leads not only the illiterate and poor Muslims, but also the highly educated and rich Muslims to read the Qur'an in Arabic without trying to understand what they are reading or reciting in their prayer. These Muslims, in their turn, require their children to read and also memorise a few short chapters of the Qur'an that they need to recite while saying their daily obligatory prayers.

FP: This is mind-boggling: people engaging in a religion by repeating things they do not themselves understand.

So what made you start questioning the Islamic faith?

Aghar: About 25 years ago, I got the jolt of my life when a Maulvi (Muslim cleric) refused to let me lay the dead body of my mother to rest, as, according to him, the dress I was wearing at the time, was not an Islamic one. This dress is known as Lungi to the Bangladeshis, and it resembles the one the Malaysian and the Burmese men wear all the time (unlike the trouser, its lower part is wide open, and as such, one can see the wearer's private parts, if one deigns to look upward from the earth).

FP: Why do people wear the Lungi and why would a person want to keep one's private parts exposed? Why were you wearing it?

Aghar: Lungi, like Saree for women, is a traditional dress and it is worn by almost all the men of Bangladesh. With it, they cover the lower part of their bodies. Since the lungi's bottom part remains wide open, many Muslim Mullahs believe that it should not be worn by Muslim men, as, through its opening, the earth can see their private parts. According to them, exposing oneself to the earth is a great sin.

But I have not heard any Mullah saying the same thing about Saree. It is a long piece of cloth, which women wrap around their waists; its bottom part, like lungi, remaining open. The earth can easily see their private parts, if it wishes to do so, but surprisingly, the Mullahs freely let their wives wear it for reasons that only they know.

FP: Um, right. Well, what can I say, perhaps we'll save this topic for a panel discussion.

So in any case, what effect did the Lungi incident have on you?

Aghar: It led me to find out what Islam really stands for, and what the Qur'an actually teaches its followers. I began to read the Qur'an in English, translated by Abdullah Yusuf Ali and Mohammad Marmaduke Pickthall, as well as its translations in Bengali and Urdu. This I did in order to make sure that what I was reading in English was identical with the Bengali and Urdu translations and that these represented the correct and faithful renditions of the Arabic Qur'an.

What I read in, and discovered from, the Qur'an was, and still remains, mind-boggling to me. I could not believe that Allah, if He exists, could have said things that He is believed to have told Muhammad and his followers. I could not believe, for instance, that the Creator of the Universe could have told the Muslim men the following:

2:223: "Your wives are as a tilth unto you: so approach your tilth when or how ye will: but do some good act for your souls beforehand; and fear Allah, and know that ye are to meet Him (in the Hereafter) and give (these) good tidings to those who believe."

By telling the Muslim men that they can engage their wives in sexual acts "when or how ye will," Allah effectively permitted them to rape their wives, for this verse of the Qur'an does not require them either to obtain their wives' consent, or to engage themselves in foreplays, without which, both men and women can hardly have what is known as consensual sex. To Allah, Muslim men doing "some good act for their souls beforehand" i.e. saying prayer to Him before raping their wives is what He considered to be a pious act that will help Him exonerate them from the crime of rape on the Day of Judgment.

FP: In terms of 2:223 in regards to the sanctioning for a man raping his wife, if God does not instruct this, then where did this come from? Who created these verses and why?

Aghar: In my judgment, the Qur'an is a record of what the Prophet of Islam had done or said during his stay on earth. His followers remembered and narrated them to the collectors of the Qur'an when it was being compiled. Therefore, the content of verse 2:223 should be considered in conjunction with what he had done in his lifetime and what he had told his followers on the issue mentioned in it.

In a storied Hadith (words of Muhammad), we read:

Sahih Muslim, Book 008, Number 3240:

"Jabir reported that Allah's Messenger (may peace be upon him) saw a woman, and so he came to his wife, Zainab, as she was tanning a leather and had sexual intercourse with her. He then went to his Companions and told them: The woman advances and retires in the shape of a devil, so when one of you sees a woman, he should come to his wife, for that will repel what he feels in his heart."

What the Prophet had done to his unprepared wife is exactly what is stated in the above verse i.e. Muslim men can have sex with their women with no notice to them, and they can also rape them, if it makes them happy.

FP: So you left Islam?

Asghar: Yes. I am an ex-Muslim. I no more subscribe to the teachings and the doctrines of Islam, as I consider them to be obnoxious and, thus, unfit for good humans.

FP: How did your family and community react to you leaving Islam? Has your life been in danger?

Asghar: I told my family members what I found in the Qur'an and they agreed with me. But it was a different story with the community I was living in; to it, I was a pariah. Most of my friends and acquaintances stopped talking to me, fearing that the information I was trying to disseminate was going to take them out of their religion, while others issued veiled threat against my person. Realising that I might be harmed, if I continued to live in the country of my birth and talk about the fallacies of Islam, I, along with my family members, migrated to the United States.

Here I feel safe, even though I have already received a couple of threats against my life. The Justice Department of my adoptive country has assured me of all help, should I feel that my life is at risk. My family members and I are obliged to it for standing by our side.

FP: Your thoughts on Islam's impact on Muslims and on non-Muslims?

Asghar: Muslims themselves are the victims of Islam. Many of them have knowingly become its victims, whilst a vast majority of them have fallen into its trap without knowing anything about its true nature and teachings. Islam has turned them into robots; most Muslims do only what, they believe, Allah told them to do. This is evident from the fact that most, if not all, Muslims do nothing in their lives without first saying "Bismillah ..." i.e. beginning everything in Allah's name, without whose help, so they believe, they can achieve nothing in their lives.

Since Allah has asked the Muslims to believe in the Unseen and to remain steadfast in their prayer (the Qur'an; 2:2), most of them spend a colossal amount of their valuable time on prayer to Him. Believing that mustering the teachings of the Qur'an is what they needed in their lives, they helped produce in the past, and are still helping produce, a large number of Islamic clerics, instead of good scientists and scholars of other subjects that are essential for the good, and the survival, of mankind. The following statistics throws a light on the state of the 'man-given knowledge' in the Muslim world:

There are 57 member-countries of the Organisation of Islamic Conference (OIC), and all of them put together have around 500 universities; one university for every three million Muslims. The United States has 5,758 universities and India has 8,407. In 2004, Shanghai Jiao Tong University compiled an 'Academic Ranking of World Universities, and intriguingly, not one university from the Muslim-majority states was in the top-500.

This clearly tells us that the Muslims lack in education; this being the result of their Islamic beliefs, as a consequence of which, over the past 105 years, only three Nobel Prizes have been won by about 1.4 billion Muslims (other than the Peace Prizes), while approximately 14 million Jews have won 180 Nobel Prizes during the same period.

FP: What is behind this teaching about keeping everyone praying all the time? If this isn't God wanting it, and let us suppose this is man-made, what was the intention here? Why teach this kind of stuff?

Aghar: Before the advent of Islam, the Pagans of the Arabian Peninsula prayed three times each day; about sunrise, at noon and about sunset, turning their faces towards the Ka'aba (Washington Irving, Mahomet & his Associates, p. 31). Muhammad retained this pagan ritual in Islam and, in some unguarded moments, he told his followers to pray twice, thrice or four times in a day. Since the norms to be followed while saying these prayers were well known to his followers, he did not mention them in the Qur'an. For want of clarity on the number of prayers that Muslims must offer everyday to Allah, Sunnis believe it to be five; Shias, by and large, consider it to be three (Dr. Rafiq Zakaria; Muhammad and the Quran, p. 74).

The Prophet of Islam, retained daily prayers in Islam for a specific reason: being militarily and economically weak, he needed to tell the Pagans of Mecca that the religion he was preaching was not drastically different from the one they themselves were practicing and, as such, they should accept it without resistance. He continued to follow his policy of appeasement even after his arrival in Medina, where the Jews vehemently opposed most of the precepts of his religion. In order to win them over, he changed the direction of the Muslim prayer from Ka'aba in Mecca to Jerusalem. When the Jews

refused to budge, he expressed his mild displeasure by asking his followers to face Ka'aba at the time of saying their prayer.

The Muslim prayer achieved a new dimension, and importance as well, after Muslim rulers embarked upon conquering others' lands. Once miserably poor and destitute, neo-Muslims from the desert of Arabia found themselves dazzled by the wealth and affluence of the countries they were able to conquer and plunder just a few years after the death of Muhammad. The fair and beautiful women of the conquered countries was another reason that induced them to fight valiantly against their foes.

Al-Baladhuri, the most judicious of the historians of the {Muslim} conquest, declares that in recruiting for the Syrian campaign Abu Bakr "wrote to the people of Makkah, al-Taif, al-Yaman and all the Arabs of Najd and al-Hijaz summoning them to a 'holy war' and arousing their desire for it and for the booty to be got from the Greeks {booty consisted of all things captured from the vanquished as well as their women}. Rustam, the Persian general who defended his country against the Arab invasion, made the following remark to the Muslim envoy: "I have learned that ye were forced to what ye are doing by nothing but the narrow means of livelihood and by poverty." A verse in the Hamasah of abu-Tammam has put the case tersely:

No, not for Paradise didst thou the nomad life forsake;

Rather, I believe, it was thy yearning after bread and dates.

(Quoted from Phillip K. Hitti's History of the Arabs, p. 144).

But as the time passed and the lust to procure more wealth and women became very acute in the soldiers of Allah, Muslim rulers became worried, and feared loss of control over them, if they took no action to check their overflowing passion. Finding a solution to their problem in prayer, they raised its number to five; prescribed recitation from the Qur'an as well as various movements and gestures in order to prevent their minds from thinking about the non-Muslims' wealth and women for a number of hours of each day.

This was like the indoctrination that the dictators of our time have used to keep their military under control. Muslim rulers succeeded in their attempt and eventually, the daily five prayers became an integral part of the Muslims' lives. In the hope of pleasing Allah, they not only waste a colossal amount of their valuable time, they also put off their important duties in order to perform their prayers, thereby greatly harming their own and their nations' economic well being. The sooner Muslims realise this fact the better it would be for them as well as for the rest of the world.

FP: A large part of the Muslim world is also engulfed by poverty. This also has something to do with Islamic theology, right?

Aghar: Of course. Poverty is a virtue for Muslims. Most of them believe that they get what Allah gives them. Therefore, in contrast to other people and nations that have struggled hard to ameliorate their economic conditions, and then became wealthy, most Muslims deemed it appropriate, due to their religious convictions, to keep on inflicting poverty upon themselves. Indeed, many Muslim nations bartered away their self-esteem, political independence, and sovereignty to please those benefactors whose charity they needed for their economic survival.

But without taking responsibility for their own failures and follies, they blame the affluent and wealthy non-Muslims and the non-Muslim nations for all the ills they suffer from today; these, they contend, having been inflicted upon them mostly by the unjust and

treacherous Christians. The Qur'an bolsters the Muslims' hatred towards the Christians by telling them that Allah gives them wealth not for attaining prosperity on earth, but to punish them in their next life. (cf. the Qur'an; 10:69 & 70).

Inspired by this and similar teachings of the Qur'an, Muslims not only hate those non-Muslims who are rich, they also look forward, albeit, silently to the day when they will be able to obliterate Christianity, and other religions as well, from the face of the earth.

FP: This is founded on the war that Islam teaches Muslims must wage on unbelievers.

Aghar: Yes. As we all know, Islam has divided the earth into two camps: Darul Islam and Darul Harb i.e. the Muslim world and the non-Muslim world. Since the Muslims are Allah's foot soldiers and they are required to fulfill His plan, as it is enunciated in the Qur'an, for earth and mankind, the Muslims must not only recover the land that the non-Muslims occupy today, they are also required to force them into Islam or kill them, if they refuse to become Muslims (see the Qur'an; 9:29). It is, in fact, "a notable declaration of State policy promulgated {by Allah} about the month of Shawwal. A. H. 9, and read out by Hadhrat Ali at the Pilgrimage two months later in order to give the policy the widest publicity possible. ..." (Abdullah Yusuf Ali, The Holy Quran, as corrected by the King of Saudi Arabia, p. 494).

This teaching of the Qur'an effectively and automatically turns the Muslims against the Christians; the former having also been told by it not to take the latter as their friends or protectors, as they (the Christians) and the Jews are friends of each other and, thus, both of them are in collusion against the Muslim Umma (Nation) and their religion.

Apart from the Jews and the Christians, the Muslims also hate the Pagans {Mushrikun in Arabic} from the core of their hearts, as they, according to the Qur'an, are unclean (see the Qur'an; 9:28), and, thus, unworthy of living on Allah's earth. Therefore, the Muslims must kill them whenever they get the chance to fulfill the instruction Allah gave them through the Qur'an (see verse 9:5). This is a very dangerous instruction, and it is not at all good for those inhabitants of the earth, who worship deities other than Him.

This and other truths about Islam, therefore, must be brought to the notice of the non-Muslim communities of the world in order to prepare them against the deadly hazards that Islam is likely to put them in, when its followers becomes, in future, a dominant force on earth. Paying keen attention to what is written in the Qur'an is not only in the best interest of the present-day non-Muslims of the world, it would also help them protect their descendants from the Allah-inspired wrath of the Muslims in days to come.

FP: Are you optimistic and pessimistic in the West being able to confront the Islamic agenda?

Asghar: I am saddened by the fact that the West has not learned anything from the Qur'an, the history of Islam and from its adherents. The following examples describe Muslims' mindset and what Allah wants them to do for taking over the earth from the Jews, Christians, Buddhists, Polytheists and the followers of other religions:

1. Muhammad came to Medina as a fugitive from Mecca and within ten years, he became its absolute ruler after killing and uprooting the Jews of the city and by converting the Pagans to his faith. By his action, he taught his followers that it is the number of Muslims that matters and that it is their number that will help them establish their rule over the whole of the earth. Had he known that a time will come when number of men will be replaced by gun, he would have advised his followers to arm themselves with it first and then rampage the whole world.

2. Abyssinia, a Christian country in the seventh century, was the first country to give shelter to Muslims of Mecca. When Muslims became numerous and strong, they forgot the favor its Christian ruler had done to them and took it over as their possession and converted its Christian inhabitants to Islam. They also conquered almost one-third of the earth and would also have overrun the whole of Europe, had they not been defeated by the Christians at the gates of Vienna in 1683.
3. Allah has promised to Muslims that He will make them the inheritors and the rulers of the earth and also help them establish Islam all over it (the Quran; 24:55,57). To achieve these objectives, He has commanded them to engage in battles with those who refused to accept Islam; to smite their necks, and after overpowering them, to take them prisoners, whom they may either set free as a favor to them or ransom them for money after the hostility is over (the Quran; 47:4).

Instead of taking lessons from the past history of Muslims, most leaders and the people of the West believe that Islam is a religion of peace and its followers are as good as they appear to them. Many of them took no lesson even after seeing the destructions and deaths some Muslims inflicted on New York and Washington, D.C; they laud Islam's good teachings even after knowing that a film director lost his life to a Muslim fanatic for the crime of making a supposedly anti-Islam film. They also praise the so-called tolerance that Islam teaches its adherents even after being informed that an American publisher refused to publish a book that contains an account of Prophet Muhammad's wife after receiving threats of dire consequences from Muslims, if it published the book.

Many leaders of the West and its citizenry brushed off the president of Iran after he called for the complete annihilation of Israel, saying that he was a mad man. In reality, it was not his madness that had made him call for Israel's destruction; rather, it was his hatred of the Jews that made him say what he believes Allah wants him to say and do to destroy them and their state.

How Muslims intend to destroy Israel and also, how they are going to take over the earth from the followers of other religions, when they do not have the necessary wherewithal to achieve their objectives? Here are the answers to the questions:

-Iranian and other Muslims will continue with their efforts to acquire deadly weapons, which they will need in days to come to destroy Israel – a desire that Dr. Mahathir, the former prime minister of Malaysia, had clearly expressed in his speech before the Muslim delegates to the OIC Summit, held in his country in 2003, saying:

"...It cannot be that there is no other way. 1.3 billion Muslims cannot be defeated by a few million Jews. There must be a way. And we can only find a way if we stop to think, to assess our weaknesses and our strength, to plan, to strategise and then to counter-attack. As Muslims we must seek guidance from the Al-Quran and the Sunnah of the Prophet. Surely the 23 years' struggle of the Prophet can provide us with some guidance as to what we can and should do. ... We must build up our strength in every field, not just in armed might. Our countries must be stable and well administered, must be economically and financially strong, industrially competent and technologically advanced. This will take time, but it can be done and it will be time well spent. We are enjoined by our religion to be patient. Innallahamaasabirin. Obviously there is virtue in being patient."

While preparing themselves to attack the Jews, Muslims are gradually taking up residence in the affluent countries of the West, with two main objectives in their minds. The first one is to earn money and the second is to sow the seed of Islam among the people of their host countries. Together with converting criminals and disgruntled folks to their faith, they also seek to increase their own number by having as many children as their women can produce. In cases where they have no women of their own to produce

children for them, they trap the Western women and, after converting them to Islam, they produce their desired number of children with them.

After their number, in this way, has become large and politically powerful, they will seek autonomy, or demand complete independence for those regions of their host countries in which they will be living. This has already happened to India, and it is happening right now to the Philippines, Thailand and China.

What is likely to happen to the West, if it continues to follow its present policy of 'political correctness' and apathy towards the hostile teachings of Islam, the American Historian and Philosopher Will Durant (1885-1981) has described it for us in the following words:

"The Islamic conquest of India is probably the bloodiest story in history. It is a discouraging tale, for its evident moral is that civilisation is a precious good, whose delicate complex of order and freedom, culture and peace, can at any moment be overthrown by barbarians invading from without or multiplying within."

FP: What advice do you give the West?

Aghar: Knowing that what Will Durant has said is true, I suggest that the West must take the following steps to counter the threat that Muslims pose to its independence, and to its people's ways of life without further delay:

- It must curtail the inflow of Muslims to its territory and should allow only those Muslims to come to its shore who are willing to adapt themselves to the secular lifestyle of its citizens.
- It must not permit Muslims to build more mosques and religious seminaries on its soil, as these are the institutions where Islamic Fundamentalism breeds and where the minds of young Muslim children and youths are poisoned against the Jews, Christians and the followers of other religions by the Islamic clerics.
- The West must monitor the mosques to find out what the Muslim Imams say in their Friday sermons together with watching what the Muslim children are taught in their religious seminaries. Any Imam or religious teacher, who might be found delivering hateful sermons or imparting hateful lessons to his or her students, must be vigorously persecuted and punished.
- Together with fighting the Muslim terrorists in places, like Iraq, Pakistan and Saudi Arabia, the West must also ask the governments of all the Muslim countries to stop their religious teachers from teaching hateful lessons to their students. It must not hesitate to use its political and economic powers on the Muslim governments, if they refuse to comply with its request.

The West has no option, but to succeed with the Muslim countries, if it wants to contain the Muslim threat against it and its allies. Its failure will prove catastrophic for the entire world – a prospect that neither the West, nor other non-Muslim countries in the East and elsewhere will be able to contain without great sacrifice of lives and destruction to their economies. The West, therefore, must not rest until it has succeeded on this front.

FP: How can the West do these things that you recommend and still remain a place that allows freedom of religion and individual liberties?

Aghar: In order to protect its citizens from Islamic terrorism and from the future risk of being overrun by Muslims, all the West needs to do is to follow its own existing rules and laws and bring about some changes to its thinking process. Let me elaborate:

1. Each country of the world has its own Visa Rules and it permits only those persons to enter its territory it considers eligible. The West can easily check the inflow of Muslims by being more careful at the time of issuing visas to them.
2. There are enough mosques and religious seminaries in the West to meet the needs of its Muslim population. Since it is a proven fact that many Muslim Imams and teachers have been using them to plant hatred of non-Muslims, particularly of the Jews, Christians and the Polytheists, into the minds of the Muslim children and young men and women, the West has the right not to grant permission for building more of them and also to electronically monitor the existing ones for the sake of its own people. Monitoring the Muslim Imams and teachers is not a violation of religious rights of all Muslims, rather, it is a necessary step (the doctrine of necessity applies here) that will also protect Muslims' own young from the influence of their rogue Imams and teachers.

Moreover, Islam permits surveillance of bad elements and Allah personally spied on the enemies of Muhammad to protect him from their mischief. Allah admitted this fact by saying in the Quran:

4:108: "They may hide (their crimes) from men, but they cannot hide (them) from Allah, seeing that He {i.e. Allah} is in their midst when they plot by night, in words that He cannot approve: and Allah doth compass round all they do."

This should silence those Muslims who are likely to oppose the actions of their host governments against their Imams and religious teachers, for when their Allah could spy on Muhammad's enemies, the law enforcers of the West can also do the same in order to protect their people from the evil designs of their enemies.

Additionally, freedom of religion and individual liberties are for those who value them and respect them. You cannot protest the arrest of a known or suspected criminal – religious or otherwise –, citing his or her religious freedom or liberties, as letting him or her go free will be a dangerous act for the society or the nation in which he or she lives. Therefore, in the matter of religious terrorism, or religiously inspired incitement to kill the followers of certain religions, the demand for religious freedom and individual liberties should have no effect and the West should do what is necessary to protect its citizens and their properties from those who are bent upon destroying them for the advancement of their own religion.

FP: Mohammad Asghar, thank you for joining Frontpage Interview.

Asghar: Thank you for talking to me.

Source:

<http://www.islam-watch.org/MAsghar/Leaving-Islam.htm>

2.49 Moderate Muslims and the Islamisation of Europe

(1) Who is our enemy? Is it mainly (or only) the Islamists/jihadists who plan and carry out physical terror acts?

(2) Why don't moderate Muslims forcefully oppose the Islamists? Aren't they opposed to them? Do moderate Muslims cooperate with us – or with them?

It has been pointed out regarding issue (1) that terror is just a tool, a short- or long-term tactics of the Islamists, and one of many possible policy alternatives. It can be used, or it can be dropped if the Islamic decision-makers conclude that another strategy is better and that terrorism starts to be counterproductive. So terror and terrorism is not the enemy but just a tool among many. Naming what probably will be called World War IV in the future, for "The war on terror" is just an attempt to be tactical in the short term: don't irritate "normal" Muslims and be politically correct. However, it plays into the hands of the enemies of the Western Civilisation if one doesn't talk straight about whom the enemy is. It also reflects a deep flaw in the understanding of the Islamic doctrine. Instead of committing such errors, it is necessary to clearly define which Muslims are the enemy.

The basic doctrine of Islam consists not only of the Quran but also of the sunnah of Muhammed (the Ahadith and the sira). The religion contains both peaceful and violent principles but the peaceful suras (from Mecca) are generally abrogated by the later – and violent – ones from Medina. The small number of peaceful maxims regarding non-Muslims (generally not valid because of abrogation) are now used over and over again in the West in order to deceive Europeans and Americans, while the real ruling principles are covered up. But even the "peaceful" part of the Quran created by Muhammed in Mecca is generally not peaceful. Quantitative research shows that e.g. about 2/3 of that part "deals with condemning unbelievers to hell for merely disagreeing with Muhammed" (1).

What is then a "moderate" Muslim? It is necessary to understand the difference between what a Muslim means with moderation and what an European or American thinks the term stands for. It is reasonable to argue that a moderate Muslim is one who wants to closely follow the quran and the examples and principles of the perfect model of a man for all future and for all the world, i.e. Muhammed. And any true Muslim naturally wants e.g. to implement sharia laws which are just consequences of the quran and the sunnah. Such a person cannot in any sense be described as an extreme Muslim.

So-called moderate Muslims in the West cannot pick and choose the parts of the doctrine that they like. That is forbidden by the religion and doing so would mean that they are not real Muslims in the traditional sense. There is also a prohibition against personal interpretations of Islam. There are established interpretations and principles regarding interpretation which were accepted many centuries ago and are respected throughout the Muslim world. It is not permitted to arrive at new conclusions which contradict the old ones and violate the rules of interpretation. "Ijtihad" – interpretations not based on case law or past precedent – have been forbidden since the 11th century and a moderate Muslim must respect that. Innovation regarding religious principles is a very serious crime in the Muslim world.

Sharia law is the practical application of the quran and the sunna, and a moderate Muslim must accept these laws. Even if an European Muslim initially doesn't do that owing to a lack of knowledge of the quran and the sunnah (evidently very common owing to a low educational level; that the clerics try to conceal parts of the doctrine which may cause opposition also among Muslims during a period when Muslims are still a minority in

Europe as so) he or she will later accept also these theses. When shown that he has misunderstood and is wrong about the doctrine according to the real, traditional Islam, a Muslim will after a while accept that he has been misguided earlier and will then follow the lead of the faithful interpreters of true Islam.

Many Muslims in the West now temporarily accept to follow the laws of the land because they as a group constitute a smaller minority here. But when they grew stronger in a country, their doctrine will force them to work for implementing Muslim values and primarily, the sharia laws. It is evident that Muslims now lacking in knowledge about Islam or believing in local liberal interpretations with no special basis in the accepted doctrine, will be pushovers when influenced by representatives of real, traditional Islam. The liberal Muslims are just influenced by national/cultural reinterpretations of the doctrine which were made a long time ago in order to create a society more harmonious and easier to live in. But these interpretations are deviations and have no real theoretical basis. They can only survive as long as nobody challenges them energetically. Most moderate Muslims will certainly abandon them when shown his/her errors regarding understanding Islam. They will then do what is demanded of them as Muslims, and even if some will not like it, they will obey. The quran itself (sura 2:216) states that even if you don't like certain things, they are/may be good for you. In that situation probably only a small minority will withdraw from Islam in opposition. Open apostasy will be looked upon as an option by a still smaller minority.

A moderate Muslim is not a reform-minded Muslim, who is willing to eliminate some, many or all those principles of Islam that violate e.g. human rights. The moderate Muslims already want – or will want after some religious re-education – pretty much the same things as the Islamists. The main goal is then partial or full implementation of sharia laws in Europe. Even if they now (for lack of knowledge) object to certain parts of the sharia, they still prefer important parts of it to man-made Western laws. And why shouldn't they accept the sharia? Then they can keep their superiority over women, which is so important for the comfortable life of many Muslim males whose lifestyles just depend on the exploitation of women. And it means that they can become rich without any effort: the Western population can in the future be transformed into half-slaves (dhimmis) and their property (slowly) taken over by those in power – Muslims.

The content of the sharia is mainly political; just a small part regards religion as such (as a religion is defined in the West). The contents violate human rights and accepted political principles in the West: secularism, democracy etc (see 8.1.2 below). However, as discussed in Part 6, a moderate may not find it a religious duty to implement the doctrine by force now in Europe or the US as long as a correctly chosen Muslim leader for the Ummah doesn't exist (and who hasn't proclaimed jihad in Europe). In that respect he is different from an Islamist who works for an Islamist society by force now. But the medium- or long-term goals of the moderate Muslim and the Islamist are pretty much the same.

What a European means with the term "moderate Muslim" is very different from the Muslim concept of moderation. The European basically means a "Reform(ed)" Muslim. These brave persons still look at themselves as Muslims but they break a myriad of the principles of the real, traditional Islam accepted by the overwhelming majority of Muslims. In reality, the Reform Muslims create a new religion which has few similarities to traditional Islam. Why it then should be called Islam can be discussed but they proclaim themselves to be Muslims. Depending on their arguments, that claim can be logically rejected or accepted. They may be called "New" or "Reform" Muslims but they are surely not moderate Muslims according to the established faith. That term doesn't stand for a Muslim with Western values regarding secularism, freedom, human rights, and democracy with rules protecting minorities. And the New or Reform Muslims are still very few.

So basically: what an American or European liberal or socialist means with the term "moderate Muslim" is in reality a Muslim who disregards many of the most important principles of his faith. These Westerners delude themselves regarding the contents of Islam because they are scared of the consequences of the fact that they cannot square the circle. An objective analysis can never reach the conclusion that Islam is peaceful, tolerant and consistent with human rights.

The evidence seems to show that there are no important theological differences between jihadists and so-called "peaceful" or "moderate" Muslims. It may be that jihadists are just more faithful and more serious with regard to realising Islam. One religious obligation which every Muslim must observe, is to realise and institute the laws of Islam if he is in such political position that he has the power to do so. Some believers think that it is mandatory to work hard to realise that situation. Moderates think that if Muslims are not in power, there is no special religious duty to work directly to reach it (unless a jihad has been legally proclaimed). But probably many or most moderates want the Muslims to reach that kind of power so they can implement the sharia.

The traditional doctrine is the leading one in the Muslim world. Local and more moderate interpretations are now retreating in many countries probably because communication and interaction is easy in the modern world, and therefore the real, traditional Islam can recover the initiative again from local and earlier somewhat isolated variants of Islam. The traditional faith can now control the contents of the doctrine in various countries better. Because all four schools of Sunni Islam agree on so many matters, this force is difficult to withstand intellectually if one is a Muslim.

It has been said that Islam has been hijacked by terrorists. Even if that may be the case in some instances where the terrorists really interpret the Quran in too extreme a way, it is no reason at all to conclude that the judgment is true in general. What seems to be true is instead that many - from the beginning normal, peaceful and sound - persons are hijacked by Islam and transformed into fanatics and enemies of democracy, freedom and human rights. And some of these persons may for many reasons develop into terrorists. But that transformation doesn't depend on the discovery of other tenets of Islam but on psychological or sociopsychological reasons, and the individual circumstances of the person in question.

Because of the misery of their current life, an end to it and paradise may seem preferable. A person may feel a greater fear of hell than others; or for young sex-starved men, the free sex in paradise may seem more important than anything else. Or the person takes the teaching that this life is of little importance than the other more seriously and tries to reach the next faster - and dying in jihad is the sure free ticket to paradise. Or he is a strict, serious and logical person and makes reasonable conclusions on the basis of the Quran, hadiths and sunnah.

In many cases, a moderate Muslim evidently has the same goals as the terrorists but refuses to fight for them with a weapon in his hand and sacrifice himself in battle (until jihad has been legally proclaimed). But that is no reason to make a sharp differentiation between a moderate and an extreme Muslim religion. The final goals may be very similar, or even the same. It is also always necessary to observe the possibility of taqiyya when listening to a so-called moderate. Extremists find advantages in being labelled as moderates.

Without a reformed doctrine proclaiming distinctly and unequivocally different theses which secure all human rights and eliminate the unacceptable parts of the Quran, the opinions of the moderates are not specially useful as a religious basis. Opinions can be abandoned and may crumble fast if they come under serious pressure from hardliners. No policies in western countries can be based on a belief in the moderation of Muslims.

without the existence of a clearly reformed islamic doctrine. The survival of a nation: its human rights, political system, culture and future cannot rest on such a weak hope.

Multiculturalism according to the common interpretation, multiculturalism in practice means that all cultures and religions are equal. For the reasons given above, that assertion is totally wrong. People are equal as human beings but the opinions, culture and values of people have not the same worth. Opinions and culture can generally be valued according to various criteria. Different cultures – being value systems - are therefore not equal. From a political and humanistic point-of-view, some of these systems are - just owing to their positions concerning human rights - worthless in a western democracy as value systems guiding the society regarding political issues.

Source:

<http://www.islam-watch.org/NoSharia/PreventEuropeIslamization1.htm>

2.50 Why We Cannot Rely on Moderate Muslims

By Fjordman

According to Dr. Daniel Pipes[1], Omar Ahmad, the long-serving chairman of CAIR, the Council on American-Islamic Relations, reportedly told a crowd of California Muslims in July 1998, "Islam isn't in America to be equal to any other faith, but to become dominant. The Koran ... should be the highest authority in America, and Islam the only accepted religion on earth."



In 2005, three Dallas-area brothers were convicted of supporting terrorism by funnelling money to a high-ranking official in the militant Palestinian group Hamas. Ghassan and Bayan Elashi and their company were found guilty of all 21 federal counts they faced: conspiracy, money laundering and dealing in property of a terrorist. Ghassan Elashi was the founder[2] of the Texas chapter of CAIR.

One would normally think that an organisation that has convicted terrorist supporters among its members and whose leading members have stated a desire to replace the US Constitution with sharia would be shunned by Western media and political representatives. Unfortunately, that's not the case.

In August 2006, a poll revealed that most Americans favor profiling of people who look "Middle Eastern" for security screening at locations such as airports and train stations. News wire Reuters[3] stated that the "civil rights and advocacy organisation" CAIR protested against this. Ibrahim Hooper, communications director for the CAIR, wanted Americans to solve the problem of Islamic terrorism by cooperating with, well, people such as CAIR: "It's one of those things that makes people think they are doing something to protect themselves when they're not. They're in fact producing more insecurity by alienating the very people whose help is necessary in the war on terrorism," he said.

The Kentucky office of the Council on American-Islamic Relations has been conducting "sensitivity training"[4] for FBI agents in Lexington, examining "common stereotypes of Islam and Muslims," and ways in which to improve interactions with the Muslim community.

Meanwhile, a survey revealed that 81% of Detroit Muslims[5] wanted sharia in Muslim countries. Yehudit Barsky, an expert on terrorism at the American Jewish Committee, warned that mainstream US Muslim organisations are heavily influenced by Saudi-funded extremists. These "extremist organisations continue to claim the mantle of leadership" over American Islam. Over 80 percent[6] of the mosques in the United States "have been radicalised by Saudi money and influence," Barsky said.

The northern Virginia-based Muslim Students' Association (MSA) might easily be taken for a benign student[7] religious group. At a meeting in Queensborough Community College in New York in March 2003, a guest speaker named Faheed declared, "We reject the U.N., reject America, reject all law and order. Don't lobby Congress or protest because we don't recognise Congress. The only relationship you should have with America is to topple it ... Eventually there will be a Muslim in the White House dictating the laws of Shariah."

So, what happened to the famous "moderate Muslims" in all this? That's a question writer Robert Spencer[8] asks, too. Imam Siraj Wahaj is in great demand as a speaker. In 1991, he even became the first Muslim to give an invocation to the U.S. Congress.

However, he has also warned that the United States will fall unless it "accepts the Islamic agenda." He has lamented that "if only Muslims were clever politically, they could take over the United States and replace its constitutional government with a caliphate." In the early 1990s he sponsored talks by Sheikh Omar Abdel Rahman in mosques in New York City and New Jersey; Rahman was later convicted for conspiring to blow up the World Trade Center in 1993, and Wahaj was designated a "potential unindicted co-conspirator."

Mr. Spencer notes that "The fact that someone who would like to see the [US] Constitution replaced has led a prayer for those sworn to uphold it is just a symptom a larger, ongoing problem: the government and media are avid to find moderate Muslims - - and as their desperation has increased, their standards have lowered." The situation is complicated by many factors, including, taqiyya and kitman: "These are Islamic doctrines of religious deception. They originated in Shi'ite Islamic defences against Sunni Islam, but have their roots in the Qur'an (3:28 and 16:106). Many radical Muslims today work hard to deceive unbelievers, in line with Muhammad's statement, "War is deceit."

Professor Walid Phares[9] gives an explanation of such religious deception, part and parcel of Jihad while Muslims are in a weaker position: "Al-Taqiya, from the verb Ittaqu, means linguistically 'dodge the threat'. Politically it means simulate whatever status you need in order to win the war against the enemy." "According to Al-Taqiya, Muslims were granted the Shar'iya (legitimacy) to infiltrate the Dar el-Harb (war zone), infiltrate the enemy's cities and forums and plant the seeds of discord and sedition.

"These agents were acting on behalf of the Muslim authority at war, and therefore were not considered as lying or denouncing the tenets of Islam. They were "legitimate" mujahedeen [holy warriors], whose mission was to undermine the enemy's resistance and level of mobilisation. One of their major objectives was to cause a split among the enemy's camp. In many instances, they convinced their targeted audiences that Jihad is not aimed at them."

This deception "has a civilisational, global dimension versus the narrow state interest of the regular Western subversive methods." "The uniqueness of today's Taqiya is its success within advanced and sophisticated societies. Taqiya is winning massively because of the immense lack of knowledge among Western elites, both Jewish and Christian."

Youssef Mohamed E[10]., a 22-year-old Lebanese man, is one of two persons suspected of trying to carry out bomb attacks on regional trains from Cologne, Germany, in July 2006. His fellow students were stunned. They couldn't imagine how one of their fellow students could be a terrorist, a train bomber. He was a "completely normal guy" said one of them. "He was friendly, polite, inconspicuous," and he never spoke ill of anyone. The publication of caricatures[11] depicting the Prophet Mohammed was interpreted by Youssef as an insult to Islam by the Western world, and triggered the attempted terror attack.

Muhammad Atta was named by the FBI as the pilot of American Airlines Flight 11, the first plane to crash into the World Trade Center during the September 11, 2001 attacks. He was also a student in Germany, where he was described as quiet, polite and inconspicuous. This strategy of using religious deception, smiling to the infidels while plotting to kill them, has become a common feature of many would-be Jihadists in the West.

According to Robert Spencer[12], secular clothing is actually in accord with instructions in a captured Al-Qaeda manual to appear to be a secular, assimilated Muslim with no interest in religion. In renting an apartment, "It is preferable to rent these apartments using false names, appropriate cover, and non-Moslem appearance." And in general: "Have a general appearance that does not indicate Islamic orientation (beard, toothpick, book, [long] shirt, small Koran)...Be careful not to mention the brothers' common

expressions or show their behaviours (special praying appearance, 'may Allah reward you', 'peace be on you' while arriving and departing, etc.)."

Ambassadors to the Czech Republic[13] from Arab nations and members of the Czech Muslim community were outraged by a documentary aired on ÅETV that used hidden camera footage of conversations in a Prague mosque. The footage showed a reporter pretending to be someone interested in converting to Islam. One of members of the mosque said Islamic law should be implemented in the Czech Republic, including the death penalty for adultery. "The result was alarming, and if not for the hidden camera, I would have never had any of this footage," the journalist said.

An Arabic-speaking journalist had on several occasions visited a large mosque in Stockholm, and noticed that what the imam said in his speech in Arabic didn't match the Swedish translation. "America rapes Islam," imam Hassan Mousa roared in Arabic. Minutes later the Swedish translation was ready. Not a word on how America was raping Islam. Imam Mousa said that many Muslims call him an "American friendly" preacher. The mistranslation was because "Arabic is a much richer language than Swedish. It's impossible to translate everything."

Examples such as these leave non-Muslims with a very powerful dilemma: How can we ever trust assurances from self-proclaimed moderate Muslims when deception of non-Muslims is so widespread, and lying to infidels is an accepted and established way of hiding Islamic goals? The answer, with all its difficult implications, is: We can't.

Does this mean that ALL Muslims are lying about their true agenda, all of the time? No, of course not. Some are quite frank about their intentions.

Norway's most controversial refugee, Mullah Krekar[14], has said in public that there's a war going on between the West and Islam, and that Islam will win. "We're the ones who will change you," Krekar told. "Just look at the development within Europe, where the number of Muslims is expanding like mosquitoes."

"Every Western woman in the EU is producing an average of 1.4 children. Every Muslim woman in the same countries is producing 3.5 children. By 2050, 30 percent of the population in Europe will be Muslim." He claimed that "our way of thinking... will prove more powerful than yours." He loosely defined "Western thinking" as formed by the values held by leaders of western or non-Islamic nations. Its "materialism, egoism and wildness" has altered Christianity, Krekar claimed.

In *The Force of Reason*, Italian journalist and novelist Oriana Fallaci[15] recalls how, in 1972, she interviewed the Palestinian terrorist George Habash, who told her that the Palestinian problem was about far more than Israel. The Arab goal, Habash declared, was to wage war "against Europe and America" and to ensure that henceforth "there would be no peace for the West." The Arabs, he informed her, would "advance step by step. Millimetre by millimetre. Year after year. Decade after decade. Determined, stubborn, patient. This is our strategy. A strategy that we shall expand throughout the whole planet."

Fallaci thought he was referring simply to terrorism. Only later did she realise that he "also meant the cultural war, the demographic war, the religious war waged by stealing a country from its citizens — In short, the war waged through immigration, fertility, presumed pluriculturalism."

The US State Department believes that Washington can contain the Muslim Brotherhood and its ilk through dialogue[16] and should avoid any further clash with them, because this "would only fan hatred and incite more attacks against US interests." The State Department has asked the US Embassy in Cairo to reach out to the Muslim Brotherhood's

leaders as a preliminary step for an organised dialogue.

At the same time, the new Brotherhood leader Muhammad Mahdi Othman 'Akef said in 2004 to Arab media that America is 'Satan' and "will soon collapse[17]." "I have complete faith that Islam will invade Europe and America, because Islam has logic and a mission." Western authorities are thus trying to "reach out" to an organisation that wants to conquer and subdue them.

Besides, exactly what does "dialogue" mean, anyway? Poul E. Andersen[18], former dean of the church of Odense, Denmark, warns against false hopes of dialogue with Muslims. During a debate at the University of Aarhus, Ahmad Akkari, one of the Muslim participants, stated: "Islam has waged war where this was necessary and dialogue where this was possible. A dialogue can thus only be viewed as part of a missionary objective."

When Mr. Andersen raised the issue of dialogue with the Muslim World League in Denmark, the answer was: "To a Muslim, it is artificial to discuss Islam. In fact, you view any discussion as an expression of Western thinking." Andersen's conclusion was that for Islamists, any debate about religious issues is impossible as a matter of principle. If Muslims engage in a dialogue or debate on religious subjects, this is for one purpose only: To create more room for Islam.

In Britain's *The Spectator*, Patrick Sookhdeo[19] writes about the myth of moderate Islam:

"The peaceable verses of the Koran are almost all earlier, dating from Mohammed's time in Mecca, while those which advocate war and violence are almost all later, dating from after his flight to Medina. Though jihad has a variety of meanings, including a spiritual struggle against sin, Mohammed's own example shows clearly that he frequently interpreted jihad as literal warfare and himself ordered massacre, assassination and torture. From these sources the Islamic scholars developed a detailed theology dividing the world into two parts, Dar al-Harb and Dar al-Islam, with Muslims required to change Dar al-Harb into Dar al-Islam either through warfare or da'wa (mission)."

"So the mantra 'Islam is peace' is almost 1,400 years out of date. It was only for about 13 years that Islam was peace and nothing but peace. From 622 onwards it became increasingly aggressive, albeit with periods of peaceful co-existence, particularly in the colonial period, when the theology of war was not dominant. For today's radical Muslims — just as for the mediaeval jurists who developed classical Islam — it would be truer to say 'Islam is war.'"

What is a moderate Muslim? In 2003, the Associated Press touted as a "moderate"[20] a cleric who told Saudi radio that terrorist attacks in his capital violated "the sanctity of Ramadan." Leading government cleric Sheikh Saleh Al-Fawzan was a member of the Senior Council of Clerics, Saudi Arabia's highest religious body. He was also the author of the religious books used to teach 5 million Saudi students, both within the country and in Saudi schools abroad — including those in Washington, D.C. "Slavery is a part of Islam," he said in one tape, adding: "Slavery is part of jihad, and jihad will remain as long there is Islam." A moderate Muslim by Saudi standards is thus a person who wants to reinstate slavery in the 21st century.

During his speech at the opening of the 10th Session of the Islamic Summit Conference on Oct 16, 2003, Prime Minister Mahathir Mohamad[21] of Malaysia stated that: "We are all Muslims. We are all oppressed. We are all being humiliated." "1.3 billion Muslims cannot be defeated by a few million Jews. There must be a way." "Today the Jews rule this world by proxy. They get others to fight and die for them."

"They invented and successfully promoted Socialism, Communism, human rights and democracy so that persecuting them would appear to be wrong, so they may enjoy equal rights with others. With these they have now gained control of the most powerful countries and they, this tiny community, have become a world power." Mahathir talked about how Muslims could win a "final victory," and recalled the glory days when "Europeans had to kneel at the feet of Muslim scholars in order to access their own scholastic heritage."

Farish Noor[22], a Malaysian scholar who specialises in politics and Islam, says that the idea of a secular state is dead in Malaysia. "An Islamic society is already on the cards. The question is what kind of Islamic society this will be." There is a creeping Islamisation of the country, and Islamic police officers routinely arrest unmarried couples for "close proximity." Yet despite all of this, Malaysia is considered one of the most moderate Muslim majority countries in the world. What does this tell us?

While NATO soldiers are risking their lives to establish a "democratic and moderate" regime in Afghanistan, a former regional governor[23] who oversaw the destruction of two massive 1,500-year-old Buddha statues during the Taliban's reign was elected to the Afghan parliament. Mawlawi Mohammed Islam Mohammadi was the Taliban's governor of Bamiyan province when the fifth-century Buddha statues were blown up with dynamite and artillery in March 2001.

In the same, Western-supported, moderate Afghanistan, the police arrested six people for stoning to death an Afghan woman accused of adultery[24]. The arrests were made after the interior ministry sent a delegation to a remote village in north-eastern Badakhshan province following reports that the woman was stoned to death. Were they arrested because stoning was barbaric? No. They were arrested because they were carrying out an unauthorised stoning: The mullah who authorised the killing was not a judge.

Ashram Choudhary, Muslim MP in New Zealand[25], will not condemn the traditional Koran punishment of stoning to death some homosexuals and people who have extra-marital affairs. But the Labour MP - who has struggled with his "role" as the sole parliamentary representative of the local Muslim community — assures that he is not advocating the practice in the West. The question is not just of academic interest. A 23-year-old Tunisian woman was stoned to death near Marseilles, France[26], in 2004.

Centre Democrat Ben Haddou[27], a member of Copenhagen's City Council, has stated: "It's impossible to condemn sharia. And any secular Muslim who claims he can is lying. Sharia also encompasses lifestyle, inheritance law, fasting and bathing. Demanding that Muslims swear off sharia is a form of warfare against them."

Read that statement again, and read it carefully. Muslims in the West consider it "a form of warfare against them" if they have to live by our secular laws, not their religious laws. Will they then also react in violent ways to this "warfare" if they don't get their will? Moreover, since sharia laws ultimately require the subjugation of non-Muslims, doesn't "freedom of religion" for Muslims essentially entail the freedom to make non-Muslims second-rate citizens in their own countries?

Federal Treasurer Peter Costello[28] said Australian Muslim leaders need to stand up and publicly denounce terrorism in all its forms. Mr. Costello has also backed calls by Prime Minister John Howard for Islamic migrants to adopt Australian values. Mr. Howard caused outrage in Australia's Islamic community when he said Muslims needed to speak English and show respect to women.

Hammaa Kohistani[29], the first Muslim to be crowned Miss England, warned that "stereotyping" members of her community was leading some towards extremism. "Even

moderate Muslims are turning to terrorism to prove themselves. They think they might as well support it because they are stereotyped anyway. It will take a long time for communities to start mixing in more."

So, if radical Muslims stage mass-murder attacks against non-Muslims, the non-Muslims must not show any anger because of this, otherwise the moderate Muslims may get insulted and become terrorists, too. Gee, isn't it comforting to know that there is such a sharp dividing line between moderates and radicals, and that moderate Muslims have such an aptitude for self-criticism?

Unfortunately, Jihad-supporters are allowed to stifle Western defence capabilities by feeding them Politically Correct propaganda. U.K. police officers were given "diversity training"[30] at an Islamic school southeast of London, the private Jameah Islameah school in East Sussex, that later became the center of a terrorism investigation. The county's police officers visited the school as many as 15 times for training to improve their awareness of Muslim culture and for advanced training so they could themselves become diversity trainers.

In August 2006, following the unveiling of a plot to blow up several airliners between Britain and the USA, Muslim leaders summoned to talks with the Government on tackling extremism made a series of demands, which included the introduction of sharia law[31] for family matters. Dr Syed Aziz Pasha, secretary general of the Union of Muslim Organisations of the UK and Ireland, said: 'We told her [the minister] if you give us religious rights, we will be in a better position to convince young people that they are being treated equally along with other citizens.'

As Charles Johnson[32] of blog Little Green Footballs dryly commented, this is an interesting viewpoint: Only by receiving special treatment and instituting a medieval religious legal code can Muslims be treated "equally."

After the plot against the airliners was uncovered, a large number of UK Muslim groups sent a letter with veiled threats[33] to PM Tony Blair, stating that "It is our view that current British government policy risks putting civilians at increased risk both in the UK and abroad," and that the British should "change our foreign policy," in addition to allowing Muslims more sharia. The same thing happened after the bombs in London in 2005.

If we watch closely, we will notice that Muslims are highly organised and have prepared long lists of demands. Every act of terrorism, or Jihad as it really is, is seen as an opportunity to push even greater demands. Radical Muslims and moderate Muslims are allies, not adversaries. The radicals bomb, and the moderates issue veiled threats that "unless we get our will, more such attacks will ensue." It's a good cop, bad cop game.

It is true that Jihad is not exclusively about violence, but it is very much about the constant threat of violence. Just like you don't need to beat a donkey all the time to make it go where you want it to, Muslims don't have to hit non-Muslims continuously. They bomb or kill every now and then, to make sure that the infidels are always properly submissive and know who's boss.

Sadly, they frequently tend to get their will, and the donkey, or as in this case, the British, do what the Muslims want. A hospital in northwest England has introduced a new surgical gown modelled on the burka[34], allowing female Muslim patients to cover themselves completely. The blue "Inter-Faith Gown" is the first of its type in Britain and has been tried out at the Royal Preston Hospital.

Professor Moshe Sharon[35] teaches Islamic History at the Hebrew University, Jerusalem. He gives this description of how a temporary truce, a hudna, is used as an

Islamic strategy against infidels:

"Peace in Islam can exist only within the Islamic world; peace can only be between Moslem and Moslem." "With the non-Moslem world or non-Moslem opponents, there can be only one solution - a cease fire until Moslems can gain more power. It is an eternal war until the end of days. Peace can only come if the Islamic side wins. The two civilisations can only have periods of cease-fires."

"A few weeks after the Oslo agreement was signed, [Palestinian leader] Arafat went to Johannesburg, and in a mosque there he made a speech in which he apologised, saying, "Do you think I signed something with the Jews which is contrary to the rules of Islam?" Arafat continued, "That's not so. I'm doing exactly what the prophet Mohammed did." "What Arafat was saying was, "Remember the story of Hodaybiya." The prophet had made an agreement there with the tribe of Kuraish for 10 years. But then he trained 10,000 soldiers and within two years marched on their city of Mecca. He, of course, found some kind of pretext."

I have earlier quoted how even Norwegian diplomat and United Nation's envoy Terje Rød-Larsen[36], a key player during the Oslo Peace Process in the 1990s, later admitted that "Arafat lied all the time."

The Arabs never wanted a peace with Israel. They wanted to buy time until they were strong enough to win. The peace overtures by the Israelis were interpreted as a sign of weakness. The so-called Treaty of Hodaybiyya, signed while Muhammad and his supporters were not yet strong enough to conquer Mecca, has become a standard for Islamic relations with non-Muslims ever since.

Sharon states that "Thus, in Islamic jurisdiction, it became a legal precedent which states that you are only allowed to make peace for a maximum of 10 years. Secondly, at the first instance that you are able, you must renew the jihad [thus breaking the "peace" agreement]." "What makes Islam accept cease-fire? Only one thing - when the enemy is too strong. It is a tactical choice."

Furthermore, the Islamic world has not only the attitude of open war. There's also war by infiltration, as we can see in Western countries now. Is there a possibility to end this dance of war? According to Moshe Sharon, the answer is, "No. Not in the foreseeable future. What we can do is reach a situation where for a few years we may have relative quiet."

As Jihad Watch Board Vice President Hugh Fitzgerald says[37] of moderate Muslims: "They are still people who call themselves Muslims, and we, the Infidels, have no idea what this will cause them, or could cause them, to do in the future. We likewise have no idea what their children, or their grandchildren will see as their responsibility as Muslims. The "moderate" Muslim today may be transformed into an "immoderate" Muslim, or his descendants could be if he does not make a complete break and become an apostate. All over the West now we see the phenomenon of Muslim children who are more devout and observant than their parents."

This is, unfortunately, very true. In November 2005, an intelligence study obtained by Canada's National Post[38] said that a "high percentage" of the Canadian Muslims involved in extremist activities were home-grown and born in Canada, a marked shift from the past when they were mostly refugees and immigrants: "There does not appear to be a single process that leads to extremism; the transformation is highly individual. Once this change has taken place, such individuals move on to a series of activities, ranging from propaganda and recruiting, to terrorist training and participation in extremist operations."

Hugh Fitzgerald wonders how many of our Muslim immigrants will be truly moderate. How many of them "will turn out to be like Ayaan Hirsi Ali? One out of 20? One out of 100? One out of 1,000? One out of 100,000? How many of the men will turn out to be like Magdi Allam in Italy, or like Bassam Tibi in Germany? How many Ibn Warraqs and Ali Sinas, or converts to Christianity such as Walid Shoebat, are there likely to be in any population of, say, 1000 Muslim immigrants? Should the Western world admit a million immigrants, or permit them to remain, because a few of them see the light?"

"Let Muslims remain within Dar al-Islam. Let the Infidels do everything they can to first learn themselves, and then to show Muslims that they understand (so that Muslims will then have to begin to recognise) that the political, economic, social, intellectual, and moral failures of Islamic societies, both within Dar al-Islam and in Dar al-Harb, are directly related to, and arise out of, Islam itself."

Youssef Ibrahim[39] of the New York Sun is tired of the silence from the Muslim majority: "Hardly any Muslim groups, moderate or otherwise, voiced public disapproval of [Dutch Islamic critic Theo] van Gogh's murder except in the most formulaic way." "In Islam, "silence is a sign of acceptance," as the Arabic Koranic saying goes." "The question that hangs in the air so spectacularly now — particularly as England has been confronted once again by British Muslims plotting to kill hundreds — is this: What exactly are the Europeans waiting for before they round up all those Muslim warriors and their families and send them back to where they came from?"

A just question, which increasing numbers of Europeans are asking, too. A big part of the answer lies in the elaborate Eurabian, pro-Islamic networks that have been built up by stealth over decades, and hardly ever debated by European media. Besides, it's embarrassing for Western political leaders, who have championed multiculturalism for a long time, to admit that they have made a terrible mistake that is now threatening the very survival of their countries.

It is possible that those Western countries where the infidels are strong enough will copy the Benes Decrees from Czechoslovakia in 1946, when most of the so-called Sudeten Germans, some 3.5 million people, had shown themselves to be a dangerous fifth column without any loyalty to the state. The Czech government thus expelled them from its land. As Hugh Fitzgerald of Jihad Watch has demonstrated, there is a much better case for a Benes Decree for parts of the Muslim population in the West now than there ever was for the Sudeten Germans.

The most civilised thing we can do in order to save ourselves as a civilisation, but also to limit the loss of life among both Muslims and non-Muslims in what increasingly looks like a world war, is for Westerners and indeed non-Muslims in general to implement a policy of containment of the Islamic world, as suggested by Mr. Fitzgerald. This includes completely stopping Muslim immigration, but also by making our countries Islam-unfriendly, thus presenting the Muslims already here between the options of adapting to our societies or leaving if they desire sharia law. Even whispering about Jihad should be grounds for expulsion and revoking citizenship.

I have compared Islam to the movie "The Matrix," where people are turned into slaves by living in a make-believe reality designed to keep them in chains. In the movie, everybody who hasn't been completely unplugged from this artificial reality is potentially an agent for the system. I have gradually come to the conclusion that this is the sanest way to view Muslims, too.

Some would argue that it is a crime and a betrayal of our own values to argue for excluding Muslims from our countries or even expelling some of the ones who are already here. I disagree. The relatively small number of Muslims we have in the West now has

already caused enormous damage to our economy, to our culture and not the least to our freedoms. The real crime, and the real betrayal, would be to sacrifice centuries of advances in human freedom as well as the future of our children and grandchildren to appease Muslims who contribute virtually nothing to our societies and are hostile to their very foundations.

As I have demonstrated above, it is perfectly accepted, and widely practiced, by Jihadist Muslims to lie to non-Muslims about their true agenda. I have also demonstrated that the relationship between radicals and so-called moderates is a lot closer than we would like to think. At best, they share the goals of establishing sharia around the world, and differ only over the means to achieve this goal. At worst, they are allies in a good cop, bad cop game to extort concession after concession from the infidels. Moreover, even those who genuinely are moderate and secular in their approach may later change, or their children may change. This can be triggered by almost anything, either something in the news or a crisis in their personal lives, which will create a desire to become a better, more pious Muslim. The few remaining moderates can easily be silenced by violence from their more ruthless, radical counterparts.

At the end of the day, what counts isn't the difference, if any, between moderate Muslims and radical Muslims, but between Muslims and non-Muslims, and between Muslims and ex-Muslims. Ibn Warraq says that there may be moderate Muslims, but Islam itself is not moderate. He is probably right. As he writes in the book *Leaving Islam — Apostates Speak Out*, a unique collection of testimonials by former Muslims, ex-Muslims are the only ones who know what it's all about, and we would do well to listen to their Cassandra cries.

Source:

- <http://gatesofvienna.blogspot.com/2006/09/why-we-cannot-rely-on-moderate-muslims.html>
1. <http://www.danielpipes.org/article/3437>
 2. <http://littlegreenfootballs.com/weblog/?entry=15442&only>
 3. <http://littlegreenfootballs.com/weblog/?entry=22323&only>
 4. <http://www.jihadwatch.org/dhimmiwatch/archives/003681.php>
 5. <http://www.jihadwatch.org/dhimmiwatch/archives/001493.php>
 6. <http://www.jpost.com/servlet/Satellite?apage=1&cid=1132475689987&pagename=JPost/JPArticle/ShowFull>
 7. <http://www.meforum.org/article/603>
 8. <http://www.humanevents.com/article.php?id=5888>
 9. http://www.freeman.org/m_online/dec97/phares.htm
 10. <http://service.spiegel.de/cache/international/0,1518,432746,00.html>
 11. <http://www.theaustralian.news.com.au/story/0,20867,20343178-1702,00.html>
 12. <http://www.frontpagemag.com/Articles/ReadArticle.asp?ID=22894>
 13. <http://www.praguepost.com/P03/2006/Art/0302/news2.php>
 14. <http://www.aftenposten.no/english/local/article1247400.ece>
 15. http://www.lawweekly.com/index.php?option=com_lawcontent&task=view&id=12921&Itemid=47
 16. <http://www.jihadwatch.org/dhimmiwatch/archives/005611.php>
 17. <http://memri.org/bin/articles.cgi?Page=archives&Area=sd&ID=SP65504>
 18. <http://www.uriasposten.net/?p=3335>
 19. <http://littlegreenfootballs.com/weblog/?entry=16866&only>
 20. <http://littlegreenfootballs.com/weblog/?entry=8863&only>
 21. <http://www.bernama.com/oicsummit/speechr.php?id=35&cat=BI>
 22. <http://www.jihadwatch.org/dhimmiwatch/archives/012919.php>
 23. <http://www.jihadwatch.org/archives/008617.php>
 24. <http://www.jihadwatch.org/dhimmiwatch/archives/005957.php>
 25. http://www.nzherald.co.nz/section/story.cfm?c_id=1&objectid=10334250
 26. <http://www.jihadwatch.org/dhimmiwatch/archives/003883.php>
 27. <http://www.cphpost.dk/get/83873.html>
 28. <http://www.theage.com.au/news/national/muslim-anger-erupts-at-costello-call-to-renounce-terrorism/2006/09/03/1157222007392.html>
 29. <http://51.501.-0.096subf94:OWgwwkp618746656659YK>
 30. http://www.dailymail.co.uk/pages/live/articles/news/news.html?in_article_id=403010&in_page_id=1770
 31. <http://littlegreenfootballs.com/weblog/?entry=22425&only>
 31. <http://50.868.4.329subf52:ISpllev132873183786AJ>
 32. http://www.dailymail.co.uk/pages/live/articles/news/news.html?in_article_id=400605&in_page_id=1770&ct=5
 32. <http://littlegreenfootballs.com/weblog/?entry=22113&only>
 33. <http://news.bbc.co.uk/1/hi/uk/4786159.stm>
 34. <http://www.breitbart.com/news/2006/09/05/060905132119.i7c4tz8n.html>
 35. <http://www.faithfreedom.org/Articles/MosheSharon40214.htm>
 36. <http://littlegreenfootballs.com/weblog/lgf-search.php?searchWith=lgf&searchString=terje+roed-larsen&doSearch=search>
 37. <http://www.jihadwatch.org/dhimmiwatch/archives/012991.php>
 38. <http://www.canada.com/national/nationalpost/news/story.html?id=cb4b3799-46b2-4bff-b42e-852d05978222&page=1>
 39. http://www.nysun.com/article/38586?page_no=2

2.51 Is Islam Compatible With Democracy?

"I will cast terror into the hearts of those who disbelieve. Therefore strike off their heads and strike off every fingertip of them." - The Koran, 8.12[1]

"Allah's Apostle said, 'I have been made victorious with terror (cast in the hearts of the enemy)'" - Hadith of Bukhari[2], Volume 4, Book 52, Number 220

"He who strikes terror into others is himself in continual fear." - Claudian, Roman poet

Occasionally I get annoyed over the fact that I am compelled to spend significant amounts of my time refuting Islam, an ideology that is flawed to the core and should be totally irrelevant in the 21st century. But then I try to see it from a positive angle: The good part about our confrontation with Islam is that it forces us to deal with flaws in our own civilisation. It has already exposed a massive failure in our education system and our media, both filled with anti-Western sentiments and ideological nonsense. These legacies from the Western Cultural Revolution[3] of the 1960s and 70s have left us unable to recognise the Islamic threat for what it is. Thus, when we are confronted now with the question of whether or not Islam is compatible with democracy, we also have to ask under what conditions a democratic system is able to function.

What are the strengths and weaknesses of a democratic system? What is "freedom" and "liberty," and does universal suffrage automatically equal liberty? Democracy could briefly be defined as the ability of the people of a state or political entity to genuinely influence the policies of their government by non-violent means. However, this is abstract; we need a more detailed definition to pin down the reality. In the Athenian city-state of ancient Greece, voting rights included all citizens, perhaps one tenth of the population of the city. Plato's description of democracy in *The Republic* is close to anarchy. He rightly points out some inherent weaknesses in the democratic model; no doubt influenced by the fate of his teacher Socrates. Socrates made many enemies by criticising those Athenians who, by means of cheap rhetoric, used democracy to gain power. His courage in speaking out led to his trial, in which his accusers claimed that he was corrupting the young. Found guilty, Socrates was sentenced to drinking poison. This experience led Plato to conclude that Athens' democracy was an unjust form of government.

Plato envisioned a just government as one which was ruled by educated philosophers or by a philosopher-king. In his famous "Myth of the Cave," people are chained in a cave with a fire behind them. When others pass in front of the fire, they can see shadows on the cave wall, and falsely believe that these shadows represent reality. According to Plato, the purpose of the ruler should be to enlighten the masses and show them the truth behind these shadowy images.

In *Politics*[4], Aristotle, too, was critical of the democratic system. He described the various models of ruling thus:

"Of forms of government in which one rules, we call that which regards the common interests, monarchy; that in which more than one, but not many, rule, aristocracy (and it is so called, either because the rulers are the best men, or because they have at heart the best interests of the state and of the citizens). But when the citizens at large administer the state for the common interest, the government is called a polity. And there is a reason for this use of language.

"Of the above-mentioned forms, the perversions are as follows: of monarchy, tyranny; of aristocracy, oligarchy; of polity, democracy. For tyranny is a kind of monarchy which has

in view the interest of the monarch only; oligarchy has in view the interest of the wealthy; democracy, of the needy: none of them the common good of all. Tyranny, as I was saying, is monarchy exercising the rule of a master over the political society; oligarchy is when men of property have the government in their hands; democracy, the opposite, when the indigent, and not the men of property, are the rulers.”

Although the potential for abuse of power and tyranny is indeed there in the democratic model, this potential exists in other forms of government, too. What Plato failed to see was that it could be possible to institute constraints on democracy that would limit some of its potential downsides, although not eliminate them completely. The American Founding Fathers, too, were skeptical of “democracy” in the meaning of unconstrained direct democracy, which they, like Plato, perceived could quickly disintegrate into mob rule. They outlined a constitutional Republic with indirect, representative democracy defined by a constitution. Citizens would be governed by the rule of law, thus protecting the minority from abuse and the potential tyranny of the majority. John Adams defined this as “a government of laws, and not of men.”

The Constitution of the United States was inspired by the French Enlightenment thinker Montesquieu, famous for his theory of the separation of powers into branches: The executive, the legislature, and the judiciary, with checks and balances among them. The USA has strong separation of powers, whereas many European countries typically have parliamentary democracies with weaker separation, since the executive branch, the government, is dependent on the legislature. Democracy strengthened by such constraints and individual rights has worked reasonably well, but like all other human inventions it isn't perfect. The system still has its critics. In *How the West Was Lost*[5], author Alexander Boot outlines what he thinks ails the modern West. It is a provocative book. I disagree with some of his criticism of post-Enlightenment civilisation in general, but Boot is articulate and original; some of his points about the nature of the modern state are worth contemplating.

For example, he says, “The word ‘democracy’ in both Greece and Rome had no one man one vote implications and Plato used it in the meaning of ‘mob rule.’ The American founding fathers never used it at all and neither did Lincoln. (...) a freely voting French citizen or British subject of today has every aspect of his life controlled, or at least monitored, by a central government in whose actions he has little say. He meekly hands over half his income knowing the only result of this transfer will be an increase in the state's power to extort even more. (...) He opens his paper to find yet again that the ‘democratic’ state has dealt him a blow, be that of destroying his children's education, raising his taxes, devastating the army that protects him, closing his local hospital or letting murderers go free. In short, if one defines liberty as a condition that best enables the individual to exercise his freedom of choice, then democracy of universal suffrage is remiss on that score.”

Boot also warns against the increasing prevalence of Politically Correct censorship through hate speech laws: “Laws against racism are therefore not even meant to punish criminal acts. They are on the books to reassert the power of the state to control not just the citizens' actions but, more important, their thoughts and the words they use to get these across. (...) A state capable of prosecuting one person for his thoughts is equally capable of prosecuting thousands, and will predictably do so when it has consolidated its power enough to get away with any outrage. (...) It is relatively safe to predict that, over the next ten years, more and more people in Western Europe and North America will be sent to prison not for something they have done, but for something they have said.”

Lee Harris[6], the author of *The Suicide of Reason*, wonders what were the necessary conditions for the growth of modern reason. This was the question taken up by Johann Herder:

“What kind of culture was necessary in order to produce a critical thinker like Immanuel Kant himself? When Kant, in his Critique of Pure Reason, methodically demolished all the traditional proofs for the existence of God, why wasn’t he torn limb from limb in the streets of Königsburg by outraged believers?”

Cynics would argue that they simply didn’t understand his eight hundred page thesis, which isn’t exactly light reading, as those who have attempted to digest his writings can testify. Although Kant had the freedom to do this in 18th-century Europe, he would probably have been killed had he attempted the same thing in the Islamic world, which is one of the reasons why the Scientific and Industrial Revolutions took place in the West, and not under Islam.

So how do we treat freethinkers asking sensitive questions in the 21st century West? In my own country, the Ombud for Gender Equality recently became The Equality and Anti-discrimination Ombud. Its duties include combating “discriminatory speech” and negative statements about other cultures and religions. If accused of such discrimination, one has to mount proof of innocence. In effect, this institution is a secular or Multicultural Inquisition: the renunciation of truth in favor of an ideological lie. Galileo Galilei faced the same choice during the Inquisition four hundred years earlier. The Multicultural Inquisition may not threaten to kill you, but it does threaten to kill your career, and that goes a long way in achieving the same result, whether your crime is claiming that the earth moves around the sun or that not all cultures are equal.

Has liberty regressed during the past two hundred years? How was it possible that Immanuel Kant, who lived in a German state without liberal democracy, could criticise basic aspects of religion in the 18th century, while in the West of the 21st century there are social and legal consequences for criticising other religions and cultures? It is a mistake to assume that liberty (in the meaning of freedom of speech and conscience) derives of necessity from a democracy of universal suffrage. Do we need a new Enlightenment to fill the vacuum formed by the fall of Political Correctness?

I have made a list of suggested conditions for a functioning democratic system:

- There must be a demos. That is, there must be a group of people with a shared pre-political loyalty. This common understanding would include mutual identification and trust between leaders who implement policies and the general public. There must be sanctions in place to allow the demos to hold accountable or remove incompetent or corrupt officials. The growth of supranational institutions has weakened the connections between the members of the elite and the nation states they are supposed to serve. The demos has been attenuated by both multiculturalism and mass immigration.
- In the demos, there has to be true freedom of speech. There have to be genuine debates about crucial issues. For a combination of reasons, this process is now severely curtailed in many Western countries. Activists on the Left demand formal and informal censorship of sensitive issues. Meanwhile, the media isn’t functioning as a counterweight to the political elites because it frequently is in lockstep with these elites.
- In the demos, there should be no significant Muslim presence. Islam is toxic to a democratic society for several reasons, which I will explore later. One is the possibility of physical attack against anybody who criticises the Islamic agenda. The fear thus engendered destroys any possibility of a free, civil public discourse. Another is the resentment generated by Muslim demands for separate laws and “special treatment,” demands which are driven by an inherent sense of entitlement. Finally, there is the harassment of non-Muslims, even those who do not criticise Islam. This aggressive behaviour is always part and parcel of Jihad.

- The territorial entity where the demos lives must control its own borders. A nation that fails to discriminate between citizens and non-citizens, between members and non-members of the demos, will cease to function.

What is disturbing about this list is that in the West - particularly Western Europe - few of these conditions remain. We are no longer citizens; we are subjects, mere spectators to destinies others have chosen for us. We are citizens only if we have genuine influence over how our tax money is spent. We are subjects when we just pay taxes while others decide what to do with this money.

The control of borders and the sovereignty of nation states are linked to the list above. Democratic decisions are meaningless if they can be overruled by an external authority. This notion of sovereignty is being challenged all over the Western world both through the United Nations and through the ascendance of international law. Sovereignty is clearly not present in much of Europe, where seventy percent or more of all laws passed are federal EU laws. Democratically elected national parliaments have been reduced to insignificance. It is thus possible to argue that Western European countries are no longer distinct democracies, nor are they part of the "Free World" in any meaningful sense. Europeans thus have universal suffrage, but we don't have genuine democracy and we certainly don't have true liberty.

Why is the European Union not democratic? One element is its sheer size; another is the massive bureaucracy that has grown up around it. As F.A. Hayek writes in *The Road to Serfdom*[7]:

"Least of all shall we preserve democracy or foster its growth if all the power and most of the decisions rest with an organisation far too big for the common man to survey or comprehend. Nowhere has democracy ever worked well without a great measure of local self-government, providing a school of political training for the people at large as much as for their future leaders. It is only where responsibility can be learnt and practised in affairs with which most people are familiar, where it is awareness of one's neighbour rather than some theoretical knowledge of the needs of other people which guides action, that the ordinary man can take a real part in public affairs because they concern the world he knows. Where the scope of the political measures becomes so large that the necessary knowledge is almost exclusively possessed by the bureaucracy, the creative impulses of the private person must flag."

It can't all be about size, since the system has worked somewhat better in the United States. The most important reason for this democratic deficit in Europe is the lack of any formal constraints on the power of leading EU organs. In 2006[8], for the twelfth year in a row the European Court of Auditors, the EU's official financial watchdog, refused to approve the EU budget because it was so full of fraud and errors[9]. Half the project budgets approved by the European Commission were inadequately monitored.

This story of fraudulence was largely ignored by Europe's media. The powerful European Commission is the EU's "government," and thus the government of nearly half a billion people from Hungary to Britain and from Finland to Spain, yet it can release accounts with massive flaws for over a decade straight. Such lack of oversight would have been unthinkable in the USA. The EU Commission gets away with it because it is largely unaccountable to anyone and was intentionally structured to operate this way in the first place. Just like the Politburo of the former Soviet Union, the EU Commission is not subject to any real checks and balances.

It is obviously easier to establish democracy in a small and transparent nation state than in a larger one. However, Sweden - the Western country where people pay the highest

tax rates - is also arguably the most politically repressed nation and has the least real freedom of speech. Sweden's problem is not its geographical size, but the bloated state apparatus. Perhaps limitations on bureaucracy, government influence and intrusion are crucial for a functioning democracy, too. In a traditional pre-modern state, the ruler might not always have ruled with your consent, but he largely left you alone as long as you paid your taxes. Not so in our modern democratic nations. Our schools are increasingly filled with courses disparaging our own indigenous cultural heritage while they praise Islamic "tolerance." We are barred from bringing up our own children and instilling in them our values. Is this liberty?

Øystein Djupedal[10], former Minister of Education and Research in Norway's Socialist Leftist Party, stated in public that: "I think that it's simply a mistaken view of child-rearing to believe that parents are the best to raise children. Children need a village, said Hillary Clinton. But we don't have that. The village of our time is the kindergarten." Following public reactions, he later retracted this statement. Critics would claim that the government treats the entire country as a kindergarten. The Ministry of Education and Research in Norway is responsible for nursery education, primary and lower secondary education, day-care facilities for school children, upper secondary education and institutions of higher education such as universities. In other words, one bureaucracy controls everything Norwegians learn from kindergarten through the doctoral level.

There is a crucial reason why the European Union isn't democratic: There is no European demos. Most people in Europe identify themselves as Italian, Spanish, Dutch or Polish. The notion of being a European is at best a very distant second. In contrast, United States citizens consider themselves Americans, although multiculturalism encourages dual identities, in which individuals are African-American, Asian-American etc. This tribalisation represents a critical long-term challenge to the continued quality of American democracy. It is conceivable that the backlash could cause the country to fall apart if the white majority, too, decides to view itself as a tribal group of European-Americans. Mr. Carl I. Hagen[11] of the right-wing Progress Party criticised the choice of a foreign citizen to head Norway's immigration agency. Eva Joly, a Norwegian born French magistrate, known in France for her crusade against corruption, disagreed with Hagen: "To assume that nationality or citizenship have anything to do with being suitable [for a job] is a very old-fashioned way of thinking. We are no longer thinking in national terms, but in European or global terms. It is a duty to employ people from other countries," said Joly. She has been granted both Norwegian and French citizenship, but considers herself European.

When we elect people to important positions, we want them to take care of our interests, not ephemeral "global interests." How can we rely on the people entrusted to work for us if they openly state that they don't feel any loyalty towards our country? According to British philosopher Roger Scruton, members of our liberal elite may be immune to xenophobia, but there is an equal fault which they exhibit in abundance, which is oikophobia, the repudiation and fear of home.

In his book *The West and the Rest: Globalization and the Terrorist Threat*, Scruton believes that what characterises the West is our idea of the personal state[12]:

"The personal state is characterised by a constitution, by a rule of law, and by a rotation of office-holders. Its decisions are collectively arrived at by a process that may not be wholly democratic, but which nevertheless includes every citizen and provides the means whereby each citizen can adopt the outcome as his own. Personal states have an inherent preference for negotiation over compulsion and for peace over war. [The personal state] is answerable to its citizens, and its decisions can be imputed to them not least because they, as citizens, participate in the political process."

For this democratic process to work there has to be a loyalty and identity that precedes political allegiance. We must have a community that has primary common interests. This has no real counterpart in Islamic countries, where the ideal is the global Ummah and the Caliphate. Concepts such as the nation state or territorial integrity have no equivalent in Islamic jurisprudence, which helps explain why democracy is so hard to establish in Muslim countries.

Scruton notes, however, that the Western personal state is now under pressure from two directions. Supranational institutions are destroying the sense of membership from above, while massive immigration without assimilation is destroying it from below. The European Union, among others, "is rapidly destroying the territorial jurisdictions and national loyalties that have, since the Enlightenment, formed the basis of European legitimacy, while putting no new form of membership in their place." And although it makes sense for individuals travelling from Third World countries to settle in the West, they may thus unwittingly contribute to destroying what they came to enjoy the benefits of in the first place:

"The political and economic advantages that lead people to seek asylum in the West are the result of territorial jurisdiction. Yet territorial jurisdictions can survive only if borders are controlled. Transnational legislation, acting together with the culture of repudiation, is therefore rapidly undermining the conditions that make Western freedoms durable."

Scruton comments that for the first time in centuries Islam appears to be "a single religious movement united around a single goal," and that "one major factor in producing this unwonted unity is Western civilisation and the process of globalisation that it has set in motion." According to him, this is a result of "Western prosperity, Western legal systems, Western forms of banking, and Western communications that human initiatives now reach so easily across frontiers to affect the lives and aspirations of people all over the globe."

Thus we have the irony in which "Western civilisation depends on an idea of citizenship that is not global at all, but rooted in territorial jurisdiction and national loyalty." By contrast, Islam, which has been until recently remote from the Western world, is founded on an ideal "which is entirely global in its significance." Globalisation, therefore, "offers militant Islam the opportunity that it has lacked since the Ottoman retreat from central Europe." It has brought into existence "a true Islamic umma, which identifies itself across borders in terms of a global form of legitimacy, and which attaches itself like a parasite to global institutions and techniques that are the by-products of Western democracy."

Scruton raises some difficult questions: Does globalisation make it easier for Muslims to realise the idea of a global Islamic community, which has always been an ideal but far from a practical reality? Does it also put pressure on the territorial integrity of coherent nation states? If so, does globalisation strengthen Islam while it weakens Western democracy? These questions are difficult to think about, but for the sake of survival we need to ask them and find an honest answer.

Globalisation doesn't necessarily mean that Islam will win. In the long run, it is quite possible that mass communications and the exposure to criticism will destroy Islam, but it could ironically make it more dangerous in the short term.

Is Islam compatible with democracy? Justice Minister Piet Hein Donner^[13] strongly disagrees with a plea for a ban on parties seeking to launch Islamic law in the Netherlands. "For me it is clear: if two-thirds of the Dutch population should want to introduce the sharia tomorrow, then the possibility should exist."

This dilemma can be solved by stating the following: Our goal is not democracy in itself, meaning elections and one man one vote, but freedom of conscience and speech, respect for property rights and minorities, the right to bear arms and self-defence, equality before the law and the rule of law - and by that I mean secular law - in addition to such principles as formal constraints on the power of the rulers and the consent of the people. Free elections may be a means of achieving this end, but it is not the end in itself. We shouldn't confuse the tools with the primary goal.

Two central concepts in sharia are the notions of "blasphemy" and "apostasy," both incurring the death penalty. These laws are incompatible with the ancient Western ideas of freedom of conscience and of speech. Thus, sharia is anathema to the goals of democracy. Sharia is also hostile to equality before the law, since Islamic law is based on the fundamental inequality between Muslims and non-Muslims, men and women, free men and slaves. Moreover, it does not provide any protection for minorities, since non-Muslims are supposed to be unarmed and their lives and property subject to the whims of Muslims at any given moment. Although Islam does contain the vague Koranic notion of shura, consultation, this has never been formalised or concretised, which means that there are no formal constraints on the power of the ruler under sharia. The only thing an Islamic ruler may not do is openly to reject Islam.

According to Salim Mansur[14], associate professor of political science at the University of Western Ontario, Canada, "Democracy is in a cultural sense an expression of the liberal modern world that situates the individual as the moral center of politics and society. (...) It is the idea of the inalienable rights located in the individual, rights that need to be protected, nurtured, and allowed the fullest unhindered expression that makes democracy so morally distinctive from other cultural systems. From this liberal perspective, the common error about democracy is to view it as a majority system of governance. In a democracy based on individual rights, on the contrary, it is the protection of the rights of minorities and dissidents that reflect the different nature of politics within the larger context of democratic culture."

This definition is opposed to an illiberal democracy, which is "similar to what Samuel E. Finer, a professor of politics and government, wrote about in *Comparative Government* as 'façade democracy,' a bowing of the head to the idea of democracy by the tiny elite of those in power as a means to enhance their legitimacy and perpetuate their authority."

One great obstacle to establishing democracy in this cultural sense in Muslim countries is that Muslims have been taught from birth that non-Muslims can't be expected to enjoy the same kind of rights as Muslims do.

The Wall Street Journal ran a piece[15] entitled "Reviving Mideastern Democracy: We Arabs Need the West's Help to Usher in a New Liberal Age." It was written by Saad Eddin Ibrahim, chairman of the board of the Ibn Khaldun Center for Development Studies in Cairo, who has been jailed several times for his pro-democracy work in Egypt. Mr. Ibrahim thinks the prospects for democracy in the Middle East are surprisingly good:

"In previous decades, authoritative voices said that Germany, Japan, Slavic countries and even Catholic societies would never, could never, be democratic. I am not speaking of popular prejudices here, but of high-level scholarship and expert consensus. Batteries of learned naysayers honestly believed that there was something about German, Japanese or Slavic culture, or about Catholicism, that was fundamentally and unchangeably hostile to democracy and democratic values. . . ."

But in the words of the celebrated 14th century historian Ibn Khaldun himself: "in the Muslim community, the holy war is a religious duty, because of the universalism of the Muslim mission and (the obligation to) convert everybody to Islam either by persuasion

or by force." In Islam, says Ibn Khaldun, the person in charge of religious affairs is concerned with "power politics," because Islam is "under obligation to gain power over other nations" (Muqaddimah[16], trans. Rosenthal, p. 183).

As Robert Spencer commented, "Those are not words of openness, tolerance, and democracy. And they are still widely held in the Muslim world."

Ibn Khaldun wrote about Christians: "We do not think that we should blacken the pages of this book [Muqaddimah] with discussion of their [Christian] dogmas of unbelief. In general, they are well known. All of them are unbelief. This is clearly stated in the noble Koran. To discuss or argue those things with them is not up to us. It is for them to choose between conversion to Islam, payment of the poll tax, or death."

According to Dr. Andrew Bostom in his book *The Legacy of Jihad* (page 29), "In *The Laws of Islamic Governance* al-Mawardi (d. 1058), also examines the regulations pertaining to the lands and infidel (i.e., non-Muslim) populations subjugated by jihad. This is the origin of the system of dhimmitude. The native infidel population had to recognise Islamic ownership of their land, submit to Islamic law, and accept payment of the poll tax (jizya). Al-Mawardi highlights the most significant aspect of this consensus view of the jizya in classical Islamic jurisprudence: the critical connection between jihad and payment of the jizya. He notes that "[t]he enemy makes a payment in return for peace and reconciliation." Al-Mawardi then distinguishes two cases: (1) Payment is made immediately and is treated like booty, however "it does, however, not prevent a jihad being carried out against them in the future" (2) Payment is made yearly and will "constitute an ongoing tribute by which their security is established." Reconciliation and security last as long as the payment is made. If the payment ceases, then the jihad resumes."

There are also other limitations on dhimmis. In 2005[17] it was announced that the first Christian church in Qatar since the 7th century was to be built on land donated by the reform-minded Emir. The church will not have a spire or freestanding cross, in accordance with traditional dhimmi laws where Christians are forbidden to display crosses. Clive Handford, the Nicosia-based Anglican Bishop in Cyprus and the Gulf, said: "We are there as guests in a Muslim country and we wish to be sensitive to our hosts ... but once you're inside the gates it will be quite obvious that you are in a Christian center." Christianity was eradicated from most Gulf Arab states within a few centuries of the arrival of Islam.

Even in Malaysia[18], one Muslim majority country frequently hailed as "moderate and tolerant," hundreds of Hindu worshippers watched in horror as workers, mostly Muslims, brought down the roof of their temple and smashed the deities that immigrant Indian workers had brought with them. "We are poor and our only comfort is our temples and now we are losing that also," Kanagamah said in Tamil, the language spoken by ethnic Indians who form eight percent of Malaysia's 26 million people and mostly follow Hinduism.

"The demolitions are indiscriminate, unlawful and against all constitutional guarantees of freedom of worship," according to human rights lawyer P. Uthayakumar. He said temples are demolished by the authorities as illegal structures but the same authorities make it impossible for devotees to get a permit. He cited the case of a Catholic church nearby which got a permit to build a church after 30 years of trying. "What does this say about freedom of worship?" he asked. Well, it says that Muslim authorities are still operating according to the classic provision of the dhimmi laws, that non-Muslims must not build new houses of worship or repair old ones.

According to Sita Ram Goel[18], Imam Hanifa "had recommended that Hindus, though idolaters, could be accepted as a 'People of the Book' like the Jews, the Christians and

the Zoroastrians, and granted the status of zimmi. The Muslim swordsmen and theologians in India happened to follow his school of Islamic law. That enabled them to 'upgrade' the 'crow-faced infidels' of this country to the status of zimmi. Hindus could save their lives and some of their properties, though not their honour and places of worship and pilgrimage, by paying jizyah and agreeing to live under highly discriminative disabilities. The only choice which the other great Imams of Islam - Malik, Shafii and Hanbal [the founders of the four Sunni Islamic schools of jurisprudence] - gave to the Hindus was between Islam and death."

From Western apologists we often hear that the "communal strife" on the Indian subcontinent is "mutual." If this is the case, why is it that in Pakistan non-Muslims have been all but wiped out, and the few remaining Christians and Hindus suffer continuous harassment and abuse? The population of Bangladesh[19] was about thirty percent non-Muslim a few decades ago. Now that number is down to ten percent. Contrast this decline with the fact, due to higher birthrates, the number of Muslims within the Republic of India has actually increased during the same period. Do these statistics indicate "mutual hostility" or simply persecution of infidels?

In Pakistan's Sindh province there is an alarming trend: Muslims kidnap Pakistani Hindu girls[20] and force them to convert to Islam. The worried resident Hindu community has resorted to marrying off their daughters as soon as they are of age. Alternatively, they migrate to India, Canada or other nations. Recently, at least 19 such abductions have occurred in Karachi alone.

"Have you ever heard of an Indian Muslim girl being forced to embrace Hinduism[21]? It's Muslims winning by intimidation. It's Muslims overcoming a culture by threatening it, by abducting young girls so that an entire community moves out or succumbs to the Muslim murderers," human rights activist Hina Jilani says. Hindus and Christians in Pakistan are looked down upon. "That is why they have to take up inferior jobs; their chances of rising in any field are low."

The Muslim superiority syndrome runs deep. In *Milestones*[22], the Egyptian Sayyid Qutb writes about "a triumphant state which should remain fixed in the Believer's heart" in the face of everything. "It means to feel superior to others when weak, few and poor, as well as when strong, many and rich."

"When the Believer scans whatever man, ancient or modern, has known, and compares it with his own law and system, he realises that all this is like the playthings of children or the searchings of blind men in comparison with the perfect system and the complete law of Islam. And when he looks from his height at erring mankind with compassion and sympathy at its helplessness and error, he finds nothing in his heart except a sense of triumph over error and nonsense. (...) Conditions change, the Muslim loses his physical power and is conquered, yet the consciousness does not depart from him that he is the most superior. If he remains a Believer, he looks upon his conqueror from a superior position. He remains certain that this is a temporary condition which will pass away and that faith will turn the tide from which there is no escape."

Underlying this Muslim supremacist mentality, there is also the idea of Arab supremacy. Again according to Qutb[23], "What are the Arabs without Islam? What is the ideology that they gave, or they can give to humanity if they abandon Islam? The only ideology the Arabs advanced for mankind was the Islamic faith which raised them to the position of human leadership. If they forsake it they will no longer have any function or role to play in human history."

Of course, there are those who would dismiss Sayyid Qutb as "an extremist," since his writings such as *Milestones* and especially *In the Shade of the Qur'an*[24] have inspired countless Jihadists since his execution at the hands of Gamal Abdel Nasser's regime in

1966. But Qutb's ideas about Muslim supremacy are on firm Islamic grounds.

According to Hugh Fitzgerald[25], "within Islam, a supposedly universalist religion where all Muslims in the ummah are equal, there is a special place for the Arabs." The Koran is written in Arabic, and "was delivered to, given to, revealed to, the Arabs, that best of people. That best of men, Muhammad, was an Arab, and so were the Companions. The Qur'an itself should ideally not be read in any language other than Arabic (the Arabic in which it was written, not in any simplified or updated version). Qur'anic recitation is in Arabic. The students in Pakistan or Indonesia or elsewhere who pass their young lives memorising Qur'anic passages are essentially memorising Arabic, a language that they do not know at all, or understand most imperfectly. Yet it is 7th century Arabs, real or imaginary, who must serve as a guide to existence. (...) In Saudi Arabia there is apartheid: the signs 'Muslim' and 'Non-Muslim' are everywhere. But 'Muslims' are further divided into Arab (first class) and non-Arab (second class). This has not escaped the attention of the many Muslim non-Arabs who live in Saudi Arabia - or at least not the attention of all of them."

This Arab supremacy is underestimated by infidels as a weapon against Islam: "Part of weakening Islam is to show many Muslims that Islam was simply an Arab invention and export, a poisoned chalice that has lain low higher, and superior civilisations. This is likely to resonate especially in Iran among those who have had their fill of the Islamic Republic of Iran - that is, every thinking and morally aware person in Iran."

In Morocco, activists complain that Berber influence[26] in political and economic life remains limited. "We're not Arabs, bring out the real history," chanted hundreds of Moroccan Berbers during Labour Day marches with slogans in their Tamazight language and banners written in Tifinagh, the Berber script. Berbers are the original inhabitants of North Africa, before the Arabs invaded in the seventh century. The Moroccan constitution says the country is Arab and Islam is its religion. The proportion of Berbers is not officially known but independent sources say they represent the majority of the population. The total population of Berbers in the world is estimated at twenty-five million, mainly concentrated in Algeria, Libya, Mali, Mauritania, Niger and Tunisia.

Islamic ideas about inequality are already being exported to the West. Two men were killed in a row involving a group of second generation immigrants in Copenhagen, Denmark, in 2005. According to imam Abu Laban[27] (who was later responsible for whipping up hatred against his country of residence because of the now famous cartoons of Muhammad in Danish newspaper Jyllands-Posten) the thirst for revenge could be cooled if 200,000 kroner were paid by the family of the man who fired the shots. 200,000 Danish kroner is approximately the value of 100 camels, a number based on the example of Muhammad himself. The idea of blood money originates from the Koran, 2.178: O ye who believe! Retaliation is prescribed for you in the matter of the murdered; the freeman for the freeman, and the slave for the slave, and the female for the female. And for him who is forgiven somewhat by his (injured) brother, prosecution according to usage and payment unto him in kindness.

Politiken, a left-leaning, intellectual newspaper championing multiculturalism in Denmark, argued that the principle of blood money might be worth considering. Luckily, they were met by an outcry from angry citizens. There are at least two major problems with this Islamic "justice." The first is that it is settled between families, tribes or clans, not in a justice system administered by the authorities where it is a matter concerning the individuals involved, not the entire clan. We had similar tribal vendettas in the West at one time, but we left this practice behind a long time ago, as Muslims should have done. The biggest problem will come if this tribal system were to undermine the Western justice system to the extent that Westerners, too, would revert to tribal law in order to protect themselves.

Many commentators in Denmark failed to understand the worst part of the blood money concept. Not only is it pre-modern and anti-individualistic, but the compensation to be paid is fundamentally inegalitarian. Muslim men are the only full members of the Islamic community. All others have fewer rights due to their religion, their sex or their slave status.

The rates for blood money mirror this apartheid system. A Saudi court has ruled that the value of one woman's life is equal to that of one man's leg. The court ordered a Saudi to pay a Syrian expatriate blood money after he killed the man's wife and severed both his legs in a car accident six months earlier. The court ordered \$13,300 compensation for the man's wife, and the same amount for each of his legs. Under Islamic law, the life of an ex-Muslim is worth nothing at all. He is a traitor, an apostate, and can be killed with impunity.

In the April 9, 2002 issue, The Wall Street Journal published the concept of blood money in Saudi Arabia. If a person has been killed or caused to die by another, the latter has to pay blood money or compensation as follows:

- 100,000 riyals if the victim is a Muslim man
- 50,000 riyals if a Muslim woman
- 50,000 riyals if a Christian man
- 25,000 riyals if a Christian woman
- 6,666 riyals if a Hindu man
- 3,333 riyals if a Hindu woman

In a Saudi school textbook[28], after the intolerance was supposedly removed, the 10th-grade text on jurisprudence said: "Blood money for a free infidel. [Its quantity] is half of the blood money for a male Muslim, whether or not he is 'of the book' or not 'of the book' (such as a pagan, Zoroastrian, etc).

"Blood money for a woman: Half of the blood money for a man, in accordance with his religion. The blood money for a Muslim woman is half of the blood money for a male Muslim, and the blood money for an infidel woman is half of the blood money for a male infidel."

As Ali Sina says[29], "According to this hierarchy, a Muslim man's life is worth 33 times that of a Hindu woman. This hierarchy is based on the Islamic definition of human rights and is rooted in the Quran and Sharia (Islamic law). How can we talk of democracy when the concept of equality in Islam is inexistent?"

He thinks that the Islamic system of government is akin to Fascism:

- It is marked by centralisation of authority under a supreme leader vested with divine clout.
- It has stringent socioeconomic control over all aspects of all its subjects irrespective of their faith.
- It suppresses its opposition through terror and censorship.
- It has a policy of belligerence towards non-believers.
- It practices religious apartheid.
- It disdains reason.
- It is imperialistic.
- It is oppressive.
- It is dictatorial and
- It is controlling.

According to Sina, "Islam is political and political Islam is Fascism."

At Ryerson University in Toronto, Canada[30], Muslims are displaying their superiority syndrome.

The largest student group on campus, the Muslim Students' Association, has monopolised use of the multifaith room. Eric Da Silva, president of the Catholic Student Association, said the group looked into using the room for mass but was told by RSU front desk staff that the room was "permanently booked" by Muslim students. "No one is trying to take away the space from the Muslims, we just don't want to be stepping on their toes," said Da Silva. He stressed that the group found another space to hold mass and the conflict was quickly resolved. The space, which was divided to separate males from females, had rows taped on the floor for prayer and Islamic decorations adorning the walls, was only accommodating to Muslims. A Canadian Federation of Students task force tackling cultural and religious discrimination was brought to campus by members of the MSA, but it only addressed the problem of Islamophobia.

Raymond Ibrahim[31], a research librarian at the US Library of Congress, warns in the Los Angeles Times against giving in to Muslim supremacists:

"In the days before Pope Benedict XVI's visit to the Hagia Sophia complex in Istanbul, Muslims and Turks expressed fear, apprehension and rage. 'The risk,' according to Turkey's independent newspaper Vatan, 'is that Benedict will send Turkey's Muslims and much of the Islamic world into paroxysms of fury if there is any perception that the pope is trying to re-appropriate a Christian center that fell to Muslims.' Apparently making the sign of the cross or any other gesture of Christian worship in Hagia Sophia constitutes such a sacrilege. Built in the 6th century, Hagia Sophia - Greek for Holy Wisdom' - was Christendom's greatest and most celebrated church. After parrying centuries of jihadi thrusts from Arabs, Constantinople - now Istanbul - was finally sacked by Turks in 1453, and Hagia Sophia's crosses were desecrated, its icons defaced."

The Turks didn't have to worry. The Pope behaved in perfect dhimmi fashion during his visit to the formerly Greek, Christian territory now known as Turkey. Ibrahim believes that "The West constantly goes out of its way to confirm such convictions. By criticising itself, apologising and offering concessions - all things the Islamic world has yet to do - the West reaffirms that Islam has a privileged status in the world."

This blindness to the threat posed by the ingrained Islamic Superiority Syndrome has huge consequences when trying to export "democracy" to Islamic countries such as Iraq.

In September 2005, the patriarch of Baghdad for the Chaldeans[32] told Iraqi officials about Catholic bishops' fears that the constitution "opens the door widely" to discrimination against non-Muslims. Article 2.1(a) stated: "No law can be passed that contradicts the undisputed rules of Islam." The bishops' statement concluded: "This opens the door widely to passing laws that are unjust towards non-Muslims." Glyn Ford, British MEP, joined former Tribune editor Mark Seddon and Andy Darmoo, head of Save the Assyrians, to sound the alarm on behalf of Assyrian Christians[33]: "Prevented from voting in the elections, in recent months many have had their land occupied and stolen, their churches firebombed and their families attacked. Isn't it time that the international community began championing the rights of Assyrians and other minorities before it is too late?"

A group of Muslim men seized a seven year old Mandaean boy[34], from an ancient Gnostic sect in Iraq, doused him in petrol and set him alight. As the child was being burnt to death the Muslims were running around shouting, "Burn the dirty infidel!" "Many women physicians have been killed, women in the police forces, reporters and journalists," Rajaa al-Khuzai, president of the Iraqi National Council of Women said. Now

"women are very easy targets," especially high-profile women such as herself, she added. This oppression of women and non-Muslims is in full accordance with Islamic sharia and was depressingly predictable.

Although Christians made up less than four per cent of the population they formed the largest groups of refugees arriving in Jordan's capital Amman in the first quarter of 2006. In Syria, forty-four percent of Iraqi asylum-seekers were recorded as Christian since December 2003. They were fleeing killings, kidnappings and death threats. "In the schools the children now say that a Christian is a kaffir [infidel]." The Catholic bishop of Baghdad, Andreos Abouna, was quoted as saying that half of all Iraqi Christians have fled the country since the 2003 US-led invasion. Some warned that in twenty years all Christians in Iraq will be gone[35]. "It was easy for the Americans and the British to have supported us when the churches were bombed - it was a historic opportunity - but they did nothing. If they had supported us financially, for example, we could have protected all the Christian families in Mosul."

U.S. President George W. Bush[36] said he would accept it if Iraqis voted to create an Islamic fundamentalist government in democratic elections. "I will be disappointed, but democracy is democracy."

Is it really equivalent, Mr. Bush?

This brings us back to Plato's criticism of democracy as just an advanced form of mob rule. And without any constraints, checks and balances, that definition is correct. Benjamin Franklin said that "Democracy is two wolves and a lamb voting on what to have for lunch. Liberty is a well-armed lamb contesting the vote!" This is why he and the other Founding Fathers wanted the USA to be a constitutional Republic, not a pure democracy.

It is strange that the United States wanted to export to Iraq a naïve concept of democracy, one that provided too few rights and guarantees for individuals and minorities, one that their own Founding Fathers had specifically rejected for precisely that reason. And this did not even include an assessment of Islam, in which harassing and persecuting minorities and suppressing individual liberty is a matter of principle.

Non-Muslims and women in Iraq are now paying with their lives[37] for that naïve mistake.

In his Islamic Declaration from 1970, where he demanded a fully-fundamentalist Muslim state, future Bosnian president Alija Izetbegovic[38] wrote that "A Muslim generally does not exist as an individual. If he wishes to live and survive as a Muslim, he must create an environment, a community, an order. He must change the world or be changed himself. History knows of no true Islamic movement which was not at the same time a political movement as well."

The late American scholar of Islam, Franz Rosenthal, said that an individual Muslim "was expected to consider subordination of his own freedom to the beliefs, morality and customs of the group as the only proper course of behaviour. (...) The individual was not expected to exercise any free choice as to how he wished to be governed. In general, governmental authority admitted of no participation of the individual as such, who therefore did not possess any real freedom vis-à-vis it."

Iranian ex-Muslim Ali Sina[39] states that "Deindividuation is characterised by diminished awareness of self and individuality. In Islam individuality is denied and the individual's life is fused with that of Umma. Deindividuation reduces an individual's self-restraint and normative regulation of behaviour. It contributes to the collective behaviour of violent crowds, mindless hooligans, and the lynch mobs." According to him, "Ironically it is the brutality and the repressive nature of Islam, in conjunction with its absolute irrationality

that has made this doctrine successful and has allowed it to survive this long.”

But as the esteemed writer F.A. Hayek wrote in his classic *The Road to Serfdom*:

“What our generation is in danger of forgetting is not only that morals are of necessity a phenomenon of individual conduct, but also that they can exist only in the sphere in which the individual is free to decide for himself and called upon voluntarily to sacrifice personal advantage to the observance of a moral rule. Outside the sphere of individual responsibility there is neither goodness nor badness, neither opportunity for moral merit nor the chance of proving one’s conviction by sacrificing one’s desires to what one thinks right. Only where we ourselves are responsible for our own interests and are free to sacrifice them, has our decision moral value. Neither good intentions nor efficiency of organisation can preserve decency in a system in which personal freedom and individual responsibility are destroyed.”

A British police report[40] concluded that complaints of misconduct and corruption against Muslim officers occur ten times more frequently than against their non-Muslim colleagues. The report argued that since British Pakistanis live in a cash culture in which “assisting your extended family is considered a duty” and in an environment in which large amounts of money are loaned between relatives and friends, police officers of Pakistani origin needed special anti-corruption training.

Only a small percentage of Pakistani citizens, and those of many other Muslim countries, actually pay taxes. There is a philosophy that ascribes no value to the individual; the clan is everything; the state is the enemy. This mentality underlies the behaviour of the immigrants from these countries as they migrate, bringing with them to non-Muslim countries the corruption and tribal violence associated with this world view.

As Ali Sina[41] says:

“Abu Hamid Al-Ghazali, (1058 - 1111 CE) is arguably the greatest Islamic scholar ever. In his book ‘Incoherence of the Philosophers’ he bitterly denounced Aristotle, Plato, Socrates and other Greek thinkers as non-believers and labeled those who employed their methods and ideas as corrupters of the Islamic faith. He took aim at Avicenna [Ibn Sina, highly influential 11th century Persian physician and philosopher] for being a rationalist who drew intellectually upon the Ancient Greeks. By emphasising on the incompatibility of faith and reason, and by asserting the futility of making faith subordinate to reason, Ghazali gave validity to unreasoned faith and thus glorified stupidity.

“The Islamic rationalists such as Mutazilis placed reason above revelation. But their school was vehemently opposed by more fervent Islamists and became extinct. They were attacked by a group called Ashariyya to which al-Ghazali and the celebrated poet [Jalal ad-Din or Mawlana] Rumi belonged. Rumi mocked the rationalists and in a catchy verse that left its mark on the psyche of the gullible masses said the rationalists stand on ‘wooden legs.’”

Sina believes[42] that “Freedom of speech, freedom of beliefs, respect for the rights of the minority and separation of religion from government are the foundations of democracy.” The West should insist on freedom of religion and freedom of speech both at home and abroad. “People must be allowed to criticise the views of the majority without fearing for their lives. There can’t be democracy without freedom of expression and without opposition. Before taking democracy to Islamic countries, let us save our own democracy at home.”

According to another ex-Muslim, Ibn Warraq[43], “Islam is a totalitarian ideology that aims to control the religious, social and political life of mankind in all its aspects - the life

of its followers without qualification, and the life of those who follow the so-called tolerated religions to a degree that prevents their activities from getting in the way of Islam in any manner. And I mean Islam. I do not accept some spurious distinction between Islam and 'Islamic fundamentalism' or 'Islamic terrorism.' Given the totalitarian nature of Islamic law, Islam does not value the individual, who has to be sacrificed for the sake of the Islamic community. Collectivism has a special sanctity under Islam."

The reason why many former Muslims such as Ali Sina and Ibn Warraq write under pseudonyms is that in a religion that is so hostile to both individuality and freedom of speech, there is no worse crime for a Muslim than to exercise both by criticising and leaving Islam. Apostasy bears the penalty of death. In the book *Leaving Islam - Apostates Speak Out*[44], a unique anthology by former Muslims, Ibn Warraq writes that (p. 31):

"However, apostasy is a matter of treason and ideological treachery, which originates from hostility and hypocrisy. The destiny of a person who has an inborn handicap is different from the destiny of one whose hand should be cut off due to the development of a dangerous and infectious disease. The apostasy of a Muslim individual whose parents have also been Muslim is a very infectious, dangerous and incurable disease that appears in the body of an ummah (people) and threatens people's lives, and that is why this rotten limb should be severed."

The death penalty for apostasy from Islam is firmly rooted in Islamic texts - certainly in the hadith, but arguably also in the Koran. The Koran 4:89 states:

"They desire that you should disbelieve as they have disbelieved, so that you might be (all) alike; therefore take not from among them friends until they fly (their homes) in Allah's way; but if they turn back, then seize them and kill them wherever you find them, and take not from among them a friend or a helper."

Ibn Kathir's (d. 1373) venerated tafsir (Koran commentary) on this verse concurs with the view that 4:89 sanctions killing apostates, maintaining that as the unbelievers have manifested their unbelief, they should be punished by death. The death penalty is virtually beyond debate in the hadith. For example, in the most respected hadith collections of Bukhari, Muhammad is reported to have said "Kill him who changes his religion."

According to Dr. Andrew G. Bostom, there is also a consensus by all four schools[45] of Sunni Islamic jurisprudence (i.e., Maliki, Hanbali, Hanafi, and Shafi'i), as well as Shi'ite jurists, that apostates from Islam must be put to death. Averroes, or Ibn Rushd (d. 1198), the renowned Aristotelian philosopher and scholar of the natural sciences, who was also an important Maliki jurist in medieval Spain, provided this typical Muslim legal opinion on the punishment for apostasy (vol. 2, p. 552):

"An apostate...is to be executed by agreement in the case of a man, because of the words of the Prophet, 'Slay those who change their din [religion]'...Asking the apostate to repent was stipulated as a condition...prior to his execution."

This is not just a matter of medieval jurisprudence. The 1991 Shafi'i manual of Islamic Law *Umdat al-Salik*, endorsed by the Islamic Research Academy at Al-Azhar, the most prestigious centre of learning in Sunni Islam, states:

"Leaving Islam is the ugliest form of unbelief (kufr) and the worst...When a person who has reached puberty and is sane voluntarily apostasises from Islam, he deserves to be killed. In such a case, it is obligatory...to ask him to repent and return to Islam. If he does it is accepted from him, but if he refuses, he is immediately killed."

In 2003, the Egyptian author Dr. Nawal Al-Sa'dawi[46], known for her fervent Arab nationalism and feminism, called for amending the Egyptian constitution and eliminating the article that declares Islam to be the official state religion, 'because we have among us Copts [Egyptian Christians], and because religion is a matter between man and God and no one has the right to impose his faith, his God and his rituals on others.'" She also said that she believes in a political and military struggle against[47] the U.S. and Israel.

The reactions to Sa'dawi's statements were mixed, but Dr. Abd Al-Mun'im Al-Berri, former head of The Front of Al-Azhar Clerics, explained that "we should ask her to repent within three days, but if she persists with these ideas, she should be punished according to what the Islamic Shari'a [religious law] determined for those who abandon Islam. The ruler, meaning the head of state or government, should carry out the punishment." Sheikh Mustafa Al-Azhari explained that "the punishment for anyone who fights Allah and His Prophet is execution, crucifixion, the amputation of opposite limbs or banishment from earth."

Daveed Gartenstein-Ross[48] states that "Though official proceedings against those who reject Islam are fairly rare - in part, no doubt, because most keep their conversion a closely held secret - apostasy is punishable by death in Afghanistan, Comoros, Iran, Mauritania, Pakistan, Saudi Arabia, Sudan, and Yemen. It is also illegal in Jordan, Kuwait, Malaysia, the Maldives, Oman, and Qatar. (...) The greatest threat to apostates in the Muslim world derives not from the state, however, but from private individuals who take punishment into their own hands. In Bangladesh, for example, a native-born Muslim-turned-Christian evangelist was stabbed to death in the spring of 2003 while returning home from a film version of the Gospel of Luke. As another Bangladeshi apostate told the U.S. Newswire, 'If a Muslim converts to Christianity, now he cannot live in this country. It is not safe. The fundamentalism is increasing more and more.'"

In Britain in 2004, Prince Charles[49] brokered efforts to end the Muslim death penalty on converts to other faiths by holding a private summit of Christian and Muslim leaders. The Muslim group cautioned the prince and other non-Muslims against speaking publicly on the issue. A member of the Christian group said that he was "very, very unhappy" about the outcome. Patrick Sookhdeo, the international director of the Barnabas Fund which campaigns on behalf of persecuted Christians abroad, urged the prince and Muslim leaders in Britain to criticise openly the traditional Islamic law on apostasy, calling for it to be abolished throughout the world. According to Sookhdeo, "one of the fundamental notions of a secular society is the moral importance of freedom, of individual choice. But in Islam, choice is not allowable: there cannot be free choice about whether to choose or reject any of the fundamental aspects of the religion, because they are all divinely ordained. God has laid down the law, and man must obey."

In the London Times, Anthony Browne[50] wrote about Mr Hussein, a 39-year-old hospital nurse in Bradford, one of a growing number of former Muslims in the West who face not just being shunned by family and community, but attacked, kidnapped, and in some cases killed. One estimate suggests that as many as 15 per cent of Muslims in Western societies have lost their faith. Mr Hussein told "It's been absolutely appalling. This is England - where I was born and raised. You would never imagine Christians would suffer in such a way." The police have not charged anyone, but told him to leave the area.

Anwar Sheikh, a former mosque teacher from Pakistan, became an atheist after coming

to Britain, and lived with a special alarm in his house in Cardiff after criticising Islam in a series of hardline books. "I've had 18 fatwas against me. They telephone me - they aren't foolhardy enough to put it in writing. I had a call a couple of weeks ago. They mean repent or be hanged," he said. "What I have written, I believe and I will not take it back. I will suffer the consequences. If that is the price, I will pay it." Anwar Sheikh died peacefully in his home in Wales in November 2006.

Aluma Dankowitz[51], director of the Middle East Media Research Institute (MEMRI) Reform Project, writes about how the accusation against Muslims - particularly intellectuals, artists, and writers - of "unbelief" (an accusation known as "takfir") recurs in the Muslim world. The traditional punishment for an apostate (murtadd) is capital punishment, which was implemented on a large scale in the period following the death of the Prophet Muhammad, when Muhammad's successor Abu Bakr fought the ridda wars against the tribes that abandoned Islam.

Sheikh Yousef Al-Qaradhawi, one of the most prominent clerics in Sunni Islam today, draws a distinction between two types of apostasy (ridda): "Limited ridda is the ridda of the individual who switches religion and is not interested in others. According to Islam, the punishment for this individual is [Hell] in the world to come. But [the other] ridda, which expands [from the individual to the group], is a ridda in which the individual who abandons Islam calls [upon others] to do likewise, [thus creating] a group whose path is not the path of society and whose goal is not the goal of the [Muslim] nation, and whose allegiance is not to the Islamic nation. Such [individuals] endanger the social fabric, and they are like the murtaddoon [apostates], who were fought by [the first Caliph] Abu Bakr together with the Companions of the Prophet."

In other words, those who publicly leave Islam constitute a threat to the morale of the Islamic community, just like soldiers defecting from an army, and must thus be punished before a mass-defection sets in. Al-Qaradhawi agrees with the traditional treatment of Muslims who leave their religion: "For Muslim society to preserve its existence, it must struggle against ridda from every source and in all forms, and it must not let it spread like wildfire in a field of thorns. Thus, the Muslim sages agreed that the punishment for the murtadd [who commits ridda] is execution."

There is enormous social pressure in Muslim countries against expressing any kind of doubts about the Islamic religion. Razi Azmi[52], one of the more sensible columnists of Pakistan's Daily Times Online newspaper, has mentioned the issue in an op-ed:

"For a moment, let us imagine a reverse scenario, a Muslim converting, say, to Christianity or, Heaven forbid, Hinduism or Buddhism, in a Muslim country. It defies imagination. There is unanimity among clerics from the various Islamic schools of thought that the penalty for an apostate (murtid) is death, the only disagreement being whether the execution should occur instantly or after the murtid has been given an opportunity to recant and return to the fold of Islam. So sure is the punishment and so strong the attendant social and family pressures that it is unthinkable for Muslims ever to openly question any aspect of their religion, let alone convert to another or to practice agnosticism or atheism."

Islam's hostility towards freedom of speech does not apply only to Muslims, but to anybody saying anything remotely critical of Islam, including non-Muslims. Muslims are already busy trying to shut down freedom of speech in Western nations through legal harassment and, increasingly, physical intimidation.

Mohammed Bouyeri[53], born in Amsterdam of Moroccan Berber parents, murdered Dutch filmmaker Theo van Gogh, who had recently made a film critical of Islam together with the Dutch-Somali former Muslim Ayaan Hirsi Ali, on the morning of Nov. 2, 2004. As Mr. van Gogh cycled to work in Amsterdam, the bearded young man in a long Middle-

Eastern-style shirt fired at him with a handgun, chased him, shot him once more, slit his throat from ear to ear and plunged two knives, one with a five-page letter attached, into the body. "I did what I did purely out my beliefs," Bouyeri told judges while clutching a Koran, because he believed van Gogh insulted Islam.

Orientalist Hans Jansen[54] of Leiden University in The Netherlands has written an analysis of the letter[55] which Mohammed Bouyeri left on the body of Theo van Gogh. As he points out, "MP Ayaan Hirsi Ali (or any other MP) is not eager to die for her membership of Parliament. Muslims such as Mohammed B. on the other hand are eager to shed their life for what they view as the good cause, which possibly gives Islam a tactical - strategic advantage in conflicts with others. That those who do not believe in heavenly compensation of martyrdom rather not become martyrs is a true statement and certainly relevant in Islam's fight against the non-Muslims."

A study from 2006[56] found that forty percent of the Moroccan youth in the Netherlands rejected Western values and democracy. Six to seven percent were prepared to use force to defend Islam. The majority were opposed to freedom of speech for offensive statements, particularly criticism of Islam. Similar numbers could no doubt be found among Muslims in other Western countries.

This kind of intimidation has taken its toll. In November 2006, publisher Scholastic Australia pulled the plug on the book the *Army of the Pure*[57] after booksellers said they would not stock the adventure thriller for youngsters because the "baddie" was a Muslim terrorist. Because two characters were Arabic-speaking and the plot involves a mujaheddin extremist group, Scholastic's decision was based "100 per cent (on) the Muslim issue."

This decision was at odds with the publication of Richard Flanagan's bestselling *The Unknown Terrorist* and Andrew McGahan's *Underground* in which terrorists are portrayed as victims driven to extreme acts by the failings of the West. *The Unknown Terrorist* describes Jesus Christ as "history's first ... suicide bomber." In McGahan's *Underground*, Muslims are executed or herded into ghettos in an Australia rendered unrecognisable by the war on terror.

The Syrian-born poet Ali Ahmad Sa'id, known by his pseudonym Adonis[58], says that "If the Arabs are so inept that they cannot be democratic by themselves, they can never be democratic through the intervention of others. If we want to be democratic, we must be so by ourselves."

According to Adonis, the underlying structure of Arab societies is a structure of slavery, not of liberty: "Some human beings are afraid of freedom. When you are free, you have to face reality, the world in its entirety. You have to deal with the world's problems, with everything. On the other hand, if we are slaves, we can be content and not have to deal with anything. Just as Allah solves all our problems, the dictator will solve all our problems."

This is undoubtedly true, and this fear of freedom is not exclusive to Muslims. As philosopher Eric Hoffer writes in *The True Believer*:

"Freedom aggravates at least as much as it alleviates frustration. Freedom of choice places the whole blame of failure on the shoulders of the individual. And as freedom encourages a multiplicity of attempts, it unavoidably multiplies failure and frustration. (...) We join a mass movement to escape individual responsibility, or, in the words of the ardent young Nazi, 'to be free from freedom.' It was not sheer hypocrisy when the rank-and-file Nazis declared themselves not guilty of all the enormities they had committed. They considered themselves cheated and maligned when made to shoulder responsibility for obeying orders.

Had they not joined the Nazi movement in order to be free from responsibility?"

According to Adonis, "The Muslims today - forgive me for saying this - with their accepted interpretation [of the religious text], are the first to destroy Islam, whereas those who criticise the Muslims - the non-believers, the infidels, as they call them - are the ones who perceive in Islam the vitality that could adapt it to life. These infidels serve Islam better than the believers."

I'm not sure I agree with that. Although fear of freedom may be a universal human trait, it does seem to be more prevalent in Islamic societies than in others. Does this "slave mentality" that Mr. Adonis complains about partly originate from Islam itself?

Ibn Arabi (d. 1240), the "Greatest Sufi Master," defined hurriyya, freedom, as "perfect slavery" to Allah. The mainstream Islamic website Islam Q & A[59] defines the meaning of enslavement in Islam:

"If by 'slave' I mean al-'aabid, one who worships Allaah and obeys His commands, this meaning applies specifically to the believers to the exclusion of the kaafireen [infidels], because the believers are the true slaves of Allaah who attribute Lordship and Divinity to Him Alone and recognise Him by His Names and Attributes, and do not associate anything with Him. Enslavement to Allaah is an honour, not a cause of humiliation. We ask Allaah to make us among His righteous slaves."

If Muslims are "slaves of Allah," it is tempting to view ex-Muslims as runaway slaves, who are to be hunted down and punished for their desire for freedom, just as real slaves were in the old days.

Dr. Younus Shaikh[60], Pakistani Rationalist and the founder President of the Rationalist organisation of Pakistan, was once sentenced for blasphemy, a crime that leads to a mandatory death sentence in Pakistan, for claiming that Muhammad did not become a Muslim until the age of 40 and received his first revelations in 610, and that his parents were non-Muslims because they died before Islam existed. He was later acquitted following international pressure, and now lives in exile in Switzerland.

According to Dr. Shaikh, "Islam is an organised crime against humanity!" Those may be harsh words, but it should be his right to say it. As Mr. Adonis states, "There can be no living culture in the world if you cannot criticise its foundations - the religion." This means that Muslims must first accept criticism of their religion before they can have any hope of establishing free societies.

Freedom of speech is one of the most fundamental of all freedoms; it is necessary for a functioning democratic society. The Islamic world will never know true liberty until Muslim individuals may openly criticise their religion and even leave it without having to fear for their lives. This freedom must be established not just in Switzerland or the United States, but in Pakistan, Iran and Saudi Arabia. That vision of liberty so far remains a mirage in the distance.

Trying to prove that Islam is compatible with democracy, many Muslims are forced to twist existing Islamic concepts so that they cease to retain their original meaning. What remains can hardly be justified from a straight-forward reading of the Koran or the hadith.

Muhammad Al-Mukhtar Ash-Shinqiti[61], director of the Islamic Center in Texas, states: "Another important value is checks and balances by which powers are distributed and separated in a way that achieves independence of each power and the ability to check

and correct each other. In Qur'anic terminology, this is called *al-mudafa'ah*, which is a very important Islamic concept that protects the society against corruption. Almighty Allah says, 'Had not Allah checked one set of people by means of another, the earth would indeed be full of mischief.'" (The Koran, 2:251)."

But this idea of setting one group of people against another bears little relation to the Western concept of formal checks and balances as enshrined in the US Constitution. Protection against "corruption" in this context means excluding non-Islamic influences, not preventing the abuse of power.

Another such concept is *shura*, usually translated as "consultation," which is found in the Koran 42:38, "...who (conduct) their affairs by mutual consultation..." and "... consult them in affairs (of moment)...," 3:159. According to Ja'far Sheikh Idris[62], professor of Islamic studies in Washington, "broadly understood, democracy is almost identical with *Shura*."

However, *shura* has never been formalised. The most authoritarian and brutal of rulers, such as Stalin or Mao, probably "consulted" somebody every now and then. Even Genghis Khan "consulted" someone as he massacred half of Asia. Thus, "consultation" by itself is meaningless. As long as there are not formal constraints on the ruler forcing him to take the good of the people into account, and as long as real sanctions are not in place if he fails to do so, "consultation" is empty rhetoric.

Sunni Muslims talk about the four Rightly Guided Caliphs, Abu Bakr, Umar ibn al-Khattab, Uthman ibn Affan and Ali ibn Abi Talib, all of whom had known Muhammad personally. Their rule ended with the murder of Ali in 661. Then the nominal leadership of Islam was transferred from Medina to the Umayyid dynasty in Damascus. In 750 the Abbasid dynasty in Baghdad assumed the Caliphate, where it endured until 1258, when the Mongols sacked Baghdad. The Caliphate as a concept still persisted for centuries, although the Caliphs usually possessed no practical power. Finally, even the concept itself was formally abolished in 1924 by the Turkish nationalist leader Mustafa Kemal Atatürk.

In an essay in newspaper The Guardian[63], spokesman Osama Saeed from the Muslim Association of Britain advocated recreating the institution, claiming that a "restored caliphate is entirely compatible" with democratically accountable institutions:

"The vision of any kind of new caliphate, shared by Muslims worldwide, is a distant one. Right now, even talk of bringing down trade barriers and free flow of people across Muslim states seems radical. But it is a vision that is needed, and one that should actually be supported by the US and Britain if they are sincere about the development of the Muslim world. The revival of a strong Muslim civilisation would be for the betterment of the whole world."

Irfan Husain[64] countered Saeed's essay in Pakistani newspaper Dawn. He pointed out some glaring omissions:

"For starters, who would decide on a suitable candidate? What does an Indonesian have in common with a Turk, apart from faith? The truth is that religion is only one aspect of an individual's identity. Other equally important factors include language, ethnicity, socio-economic status, education, and a whole slew of layers that compose identity. To assume that just because somebody is born a Muslim, he will automatically obey a distant figure who calls himself the caliph is to ignore just how tenuous the authority of most of the past caliphs actually was."

The Christian Science Monitor[65] interviewed a group of followers of Hizb ut-Tahrir, the Party of Liberation, in Jordan. They say that a single Islamic state from Indonesia to Morocco will bring prosperity and let Muslims conquer the West. "Islam obliges Muslims to possess power so that they can intimidate - I would not say terrorise - the enemies of Islam," says Abu Mohammed, a Hizb ut-Tahrir activist. "And if after all discussions and negotiations they still refuse, then the last resort will be a jihad to spread the spirit of Islam and the rule of Islam," he says, smiling. "This is done in the interests of all people to get them out of darkness and into light."

One of the speakers, Ashraf Doureih, at a conference in Sydney, Australia[66], in January 2007, stressed the importance of establishing an Islamic state:

"It is important... [to move] collectively in the Muslim world to demand this change from such influential people in our lands, even if it means spilling onto the streets to create a revolution or staging a military coup," he said. According to Hizb ut-Tahrir spokesman Wasim Durie, the conference would discuss ways of establishing an Islamic superstate. "As we were here today, what is at stake is not just the destiny of the Muslim world but indeed the whole of mankind," he said. Despite open calls for civil war, the Australian Government refused to ban[67] the group.

It is easy to dismiss these ideas as marginal, but, as Robert Spencer[68] warns, even if there is no chance of establishing a worldwide caliphate, that doesn't mean that these groups aren't dangerous:

"As if the fact that the Soviet Union had no chance of making the world communist means that it wasn't a threat as it attempted to do so. These learned heads seem to have no regard at all for the fact that as Al-Qaeda and other jihadist groups try to establish a worldwide caliphate, they are capable of causing immense, catastrophic havoc. The fact that their goals are unattainable doesn't mean they can't do anything at all."

Author Abid Ullah Jan's book, *The End of Democracy*, has become highly popular in Islamic circles. Jan quotes an 11th century Iraqi jurist, al-Mawardi - whose works on governance are considered classics in the field - regarding the duties of the Caliph (page 189):

"According to Al-Mawardi, the duties of the *Khalifah* are, that he should guard the religion of Islam and suppress the growth of heresy; that he should interpret Islamic law as Mujtahid and promulgate it; that he should keep armies on the frontiers in order to defend Islamic territories from aggression by an enemy; that he should champion the cause of Islam either by offering Islam to the non-Muslims of the adjoining countries or by waging war against them until they accept the status of protected people [dhimmis]; that he should execute and preserve justice; that he should implement a sound financial system; that he should appoint only competent ministers, governors, tax-collectors, judges and other State officials and fix their salaries from the State treasury; and lastly, that he should supervise all the departments of the State."

Abid Ullah Jan also quotes the highly influential 20th century theologian Abul A'la Mawdudi, the founder of Jamaat-e-Islami in today's Pakistan (page 132):

"The 'Islamic State seeks to mould every aspect of life and activity in consonance with its moral norms and program of social reform. In such a State no one can regard any field of his affairs as personal and private.' However, this concept does not make the Islamic State an authoritarian or fascist regime, because 'despite its all-inclusiveness, it [Islamic State] is

something vastly and basically different from the modern totalitarian and authoritarian states.' Mawdudi further elaborates: 'Individual liberty is not suppressed under it nor is there any trace of dictatorship in it. It presents the middle course and embodies the best that the human society has ever evolved.'"

According to Jan, "The reason why Muslims are not given a chance to sit peacefully, take time and set an Islamic State is that an Islamic State has the potential to show a real model of a just social order with all the features that the champions of democracy claim but can never present."

One might argue that it also has to do with the fact that one stated objective of this Islamic superstate, as Jan himself points out, is to kill or subdue all non-Muslims around the world.

In addition, Jan says that there has never been a single approved method for appointing such a Caliph, which he interprets as leaving room for elections (page 191):

"Prophet Muhammad (PBUH) by not appointing his successor or suggesting any specific mode or laying down any framework for constituting or deposing such a successor, had acted in conformity with the Qur'an which is silent on this issue."

However, it is precisely because Muhammad, despite his many wives, never produced a male heir, never appointed a successor, and failed to provide any mechanism for choosing one, that immediate fissures developed among the early Muslims. Some wanted leadership to follow the bloodline of Muhammad through his daughter Fatima's marriage to Alī bin Abī Tālib, the father of Muhammad's male grandchildren Hassan and Husayn. He later became known as the first Imam of the Shi'a Muslims.

Despite all the nice words of modern apologists, it is difficult to view the Caliphate as anything other than a divinely imposed dictatorship. The principle of separation of powers as described by Montesquieu is totally unknown, indeed would be considered heretical. While there may be some dissent regarding the issue, it has been commonly held by Islamic jurists that as long as the ruler does not reject the basic tenets of Islam, he must be obeyed, since even a tyrannical ruler is better than anarchy. Thus he is supposed to "consult" others in the affairs of the state, but he is also free to ignore their advice. One is struck by the primitive nature of Islamic governance.

There will be debates by future historians about how EU leaders could do something as stupid as the creation of the Eurabian networks. One of the answers will have to be: They did it because they could.

I have heard some Socialists argue that the Communist system of the Soviet Union could have worked if they didn't end up with a leader such as Stalin. This view is fundamentally flawed, for the system itself invited a Stalin, or a Mao; there were no formal restraints on the power of the rulers under Communism. The same principle holds true for the Caliphate. Lord Acton said, "Power tends to corrupt, and absolute power corrupts absolutely". The Islamic set-up ensures corruption and the abuse of power.

In 2006, the European Commission[69] (the EU's government) announced that it would send its proposals for EU laws to national parliaments for comment - but it made clear that Brussels would only "take note" of national parliamentarians' wishes. The European Union's concept of "consultation" is thus that the people or their representatives should give their "advice," and then the leaders should be free to ignore this advice. Thus the EU will be able to integrate seamlessly into the Caliphate, given that it already operates under some of the same principles.

The Middle East Media Research Institute (MEMRI) quotes Dr. Shaker Al-Nabulsi[70], a Jordanian intellectual, in criticising Yusuf Al-Qaradawi's claim that "democracy is in the essence of Islam."

According to Nabulsi, "He is among those who maintain that the Shura is meant to advise the ruler, but does not obligate him. [Al-Qaradhawi holds that] the ruler must not be deposed even if he sins or oppresses, and that 'the ruler must be obeyed even if he strikes you or expropriates your property.' The Caliphate has remained unchanged from 632 through 2004 - it has kept its primitive, simple tribal form (the elite's allegiance to the sovereigns) - an un-democratic structure, despotic, and bloody except for a brief period of 12 years during the rule of Abu Baker and Omar Bin Al-Khattab [the first and second Caliphs]. (...) Since the time of [the Umayyad Caliph] Mu'awiya Ibn Abi Sufyan through the last Ottoman Sultan, (that is from the year 661 through the year 1924), the Islamic Caliphate was drenched with blood, and ruled by fist and sword - and even today the situation is the same in most of the Arab world."

Nabulsi quotes al-Qaradawi as saying: "'There are those who maintain that democracy is the rule of the people, but we want the rule of Allah.' Such ideas] are a call for the Rule of Allah, discussed by Sayyid Qutb in his book 'The Milestones.' [Qutb] borrowed this idea from Pakistani intellectual Abu Al-'Ala Al-Mawdudi, who introduced the theory that authority is Allah's, not the people's, and that the sovereign is none other than Allah's secretary and His representative on earth."

Hassan al-Banna founded the Muslim Brotherhood in 1928 with the stated goal of restoring the Caliphate. There are signs that his disciple Yusuf al-Qaradawi, now spiritual leader of the Brotherhood, hasn't given up this goal. In an interview with German weekly magazine Der Spiegel[71], Qaradawi said: "Islam is a single nation, there is only one Islamic law and we all pray to a single God. Eventually such a nation will also become political reality. But whether that will be a federation of already existing states, a monarchy or an Islamic republic remains to be seen."

In another essay[72], Al-Qaradawi states that: "Secularism may be accepted in a Christian society but it can never enjoy a general acceptance in an Islamic society. Christianity is devoid of a shari'ah or a comprehensive system of life to which its adherents should be committed."

In contrast, according to The New Testament, the rule is to : "Render unto Caesar things which belong to Caesar, and render unto God things which belong to God" (Matthew 22:21).

But, "as Islam is a comprehensive system of worship ('ibadah) and legislation (Shari'ah), the acceptance of secularism means abandonment of Shari'ah," and "the call for secularism among Muslims is atheism and a rejection of Islam. Its acceptance as a basis for rule in place of Shari'ah is downright riddah [apostasy]."

The adoption of secular laws and equality for Muslims and non-Muslims amounts to apostasy. Harsh words from a man who has voiced support for the traditional death penalty for apostates.

The Iranian intellectual Amir Taheri[73] has noted, "There was no word in any of the Muslim languages for democracy until the 1890s. Even then the Greek word democracy entered Muslim languages with little change: democrasi in Persian, dimokraytiyah in Arabic, demokratio in Turkish. It is no accident that early Muslims translated numerous ancient Greek texts but never those related to political matters. The great Avicenna himself translated Aristotle's Poetics. But there was no translation of Aristotle's Politics in Persian until 1963."

According to Taheri, one of the key stumbling blocks is equality: "The idea is unacceptable to Islam, for the non-believer cannot be the equal of the believer."

"Democracy means the rule of the demos, the common people, or what is now known as popular or national sovereignty. In Islam, however, power belongs only to God: al-hukm l'illah. The man who exercises that power on earth is known as Khalifat al-Allah, the regent of God. But even then the Khalifah or Caliph cannot act as legislator. The law has already been spelled out and fixed for ever by God. (...) There is consultation in Islam. But the consultation thus recommended is about specifics only, never about the overall design of society."

He sums up with the conclusion that "Islam is incompatible with democracy." Yet in another essay, Amir Taheri wants Europeans to revive the Roman Empire[74]:

"North Africa, which has the most beautiful beaches of the Mediterranean, could become a kind of Florida for the old-age pensioners of western and northern Europe. In exchange, millions of young people could move north from the south to provide the labour force needed to keep the modern European economies going. (...) A judicious mix of wealth and technology from the north and manpower from the south could turn the Euro-Mediterranean region into the biggest and most prosperous economy the world has ever seen."

This idea is called "Eurabia" and is already being implemented, as Bat Ye'or[75] can testify. And it wasn't a very good idea. If he is correct that Islam is incompatible with democracy, what impact will it have on democracies if they get flooded with people who have an Islamic mentality? Amir Taheri is often brilliant in his writings about Islam, but in this case his ideas aren't logically consistent.

According to the website Islam Online[76], "Islam is not a religion in the common, distorted meaning of the word, confining its scope only to the private life of man. By saying that it is a complete way of life, we mean that it caters for all the fields of human existence. In fact, Islam provides guidance for all walks of life - individual and social, material and moral, economic and political, legal and cultural, national and international."

A common phrase is that Islam is *Din wa Dawlah*, religion and State. In 2005, after parliamentary elections, Younus Qanooni[77], a senior member of the Afghan Northern Alliance which helped the US overthrow the Taliban regime in 2001, stated that the country could never become a secular democracy. "Afghans will never agree on any secular or liberal system. Islam is the modern system and Afghanistan's future is tied with Islam." Yet Western soldiers are supposed to risk their lives, and Western taxpayers pay for, establishing just such a system.

This rather naïve view of democracy is unfortunately the rule rather than the exception. In a memo, the US State Department[78] told its embassy in Cairo to launch a dialogue with religious groups because clashes with them would only incite more attacks against US interests. They also advised Washington to pressure the Egyptian government into allowing the Muslim Brotherhood to play a larger role in Egypt's political landscape. This despite the fact that many of the worst terrorist groups today are offshoots of the MB. Dr. Ahmad Al-Rab'i[79], former Kuwaiti minister of education, warned that "The founders of the violent groups were raised on the Muslim Brotherhood, and those who worked with Bin Laden and Al-Qa'ida went out under the mantle of the Muslim Brotherhood."

Author Tarek Heggy, too, warns that: "The Brotherhood opposes the notion of a state based on democratic institutions, calling instead for an Islamic government based on the Shura (consultative assembly) system, veneration of the leader and the investiture of a

Supreme Guide. In this, they are close to the model established by the late Ayatollah Ruhollah Khomeini in Iran. (...) The Brotherhood calls for a constitutional and legal system based on the principles of Shari'a, including cruel corporal punishments in the penal code (stoning, lashing, cutting off the hands of thieves, etc.)."

Actually, the only place where there has been any movement toward a democratic Islam is in Denmark. Of all the Western nations, Denmark has mounted the strongest popular resistance against Islamisation. Syrian-born MP Naser Khader[80] has launched a network called Democratic Muslims. New members are required to sign a declaration that they oppose Sharia laws. "Freedom of speech is the breath of democracy - and if you take that away, then democracy dies," said Khader.

Mr. Khader appears to be sincere about these efforts. So, apparently, are his Muslim opponents, which is why he has received numerous threats against his life. A French documentary used a hidden camera[81] to capture an imam suggesting that Khader could attract suicide bombers if he became minister of integration affairs. The imam in question, Ahmed Akkari, later said he meant the comment as a joke.

The ideas behind the network are positive. They have defined the Ten Commandments of Democracy[82], among them:

1. We must all separate politics and religion, and we must never place religion above the laws of democracy.
2. We must all respect that all people have equal rights regardless of sex, ethnicity, sexual orientation or religious beliefs.
3. No person must ever incite to hatred, and we must never allow hatred to enter our hearts.
4. No person must ever use or encourage violence - no matter how frustrated or wronged we feel, or how just our cause.
5. We must all show respect for the freedom of expression, also of those with whom we disagree the most.

The problem is, only a small minority[83] of the members Democratic Muslims are actually Muslims. The vast majority are non-Muslim supporters.

In addition, Muslims in Denmark seem far more interested in exploiting the democratic system than in supporting it. According to the Copenhagen Post[84], Wallait Khan was elected councillor for the Liberal Party in Copenhagen, only to defect to join the Socialist People's Party, which allowed them to establish a left-wing coalition. But Khan had also been on the campaign trail in Pakistan. Khan said six people had been elected in Pakistan despite their Danish residencies. "We Pakistanis in Europe have a competition between ourselves," he said. "We in Denmark compete with Pakistanis living in Norway and England about who holds most mayor posts."

The European Council for Fatwa and Research, whose leader is Yusuf al-Qaradawi, are working on a Muslim Constitution for Europe[85] that will be above national legislation. According to Tina Maggaard from the University of Aarhus, behind these ambitions "lies decades of work." Islamic groups have for years aimed at establishing their control of the Muslim immigrant communities, and in some cases have won official recognition from government bodies. According to Maggaard, "The Imams and Islamists consider the cooperation with the state institutions a transfer of power. Now it is them who rule."

Even without Islam, a pure democracy with no restraints would not always be a good

thing. For example, one could win the support of a majority of the people, largely by promising them access to other people's money. Once in power, one could begin to dissolve whatever restraints exist in order to secure permanent re-election. In February 2007, Venezuelan President Hugo Chavez[86] was granted the right to rule by presidential decree in his efforts to build a Socialist state, a move critics say propels Venezuela toward dictatorship. National Assembly President Cilia Flores applauded with the words "Fatherland, socialism or death," while hundreds of Chavez supporters outside waved signs reading "Socialism is democracy."

Bruce Bawer[87], the author of the book *While Europe Slept*, noted that the title of world's most democratic country was awarded to Sweden in 2006 by The Economist Intelligence Unit. According to Bawer, "For many observers, this is not only wrong - it's staggeringly, outrageously misinformed. Though two-thirds of Swedes question whether Islam is compatible with Western society, this issue is simply not open for public discussion." To quote observer Jonathan Friedman, "no debate about immigration policies is possible" because Sweden's "political class," which controls public debate, simply avoids the topic.

According to Bawer, the city of Stockholm "carried out a survey of ninth-grade boys in the predominantly Muslim suburb of Rinkeby. The survey showed that in the last year, 17% of the boys had forced someone to have sex, 31% had hurt someone so badly that the victim required medical care, and 24% had committed burglary or broken into a car. Sensational statistics - but in all of Sweden, they appear to have been published only in a daily newsheet that is distributed free on the subways. Sweden is the only major Western European country whose legislature contains not a single representative of a party critical of its immigration policies."

Members of the small party, the Sweden Democrats, are critical of the country's extremely open immigration policies. Seldom can they hold meetings without being hassled or physically attacked. This has happened regularly for years with the tacit approval of the Swedish elites. Swedish newspaper Expressen warned against the "low-intensity terrorism" conducted by extreme Leftists and neo-Nazis.

Political scientist Peter Esaiasson has done research into every election movement in Sweden since 1866. According to him, the organised attempts at disrupting meetings during the 2006 elections have no parallels in modern history.

Added to this censorship on a national level, important decisions are made by unelected EU bureaucrats. If democracy is supposed to mean that citizens vote to decide their future, then Sweden is not a democracy; it is a multicultural dictatorship. One can vote for a variety of parties, but all of them support the same multiculturalism and mass immigration. Ordinary Swedes have little influence over their own future, and freedom of speech is non-existent. But the country still has the formal aspects of democracy: regular multiparty elections take place. This should remind us once again that elections do not automatically lead to a free society.

Famed historian Bernard Lewis[88], who reputedly had an important influence on the American policy to bring "democracy" to Iraq, in 2007 told The Jerusalem Post that Islam could soon be the dominant force[89] in Europe. He ironically warned that this Islamisation could be assisted by "immigration and democracy."

In Vienna, Austria[90] in December 2006, Santa Claus was removed from kindergartens. Municipal officials insisted that the sight of a strange bearded figure at the door would evoke fear in kids, but many observers accused them of kowtowing to a growing Muslim population.

The Battle of Vienna in 1683, where the Ottoman Turks were beaten by a force led by

King Jan III Sobieski of Poland, was the last time Muslims managed to threaten the West in traditional warfare. They gradually fell further and further behind due to their technological ineptness, which again is caused by their hostility towards freethinking as the basis of science. This suppression of curiosity is their Achilles' heel. Perhaps they have finally found ours. This time they are already inside Vienna.

In the end, Muslims have been more successful at peacefully infiltrating the democratic West than they ever were in challenging the pre-democratic West in open warfare.

Ibn Warraq warns that the Islamists view our open society as a means for infiltrating Western societies. He fears that we risk ending up with an Islamisation of democracy instead of a democratisation of Islam.

Walid al-Kubaisi[91], a Norwegian of Iraqi origins and a critic of sharia supporters, believes Yusuf al-Qaradawi is more dangerous than terrorist leader Osama bin Laden:

"In Europe, the Muslim Brotherhood discovered a unique opportunity: Democracy. The democratic system leaves room for freedom of religion and freedom of speech, and finances religious communities and religious organisations. This has been utilised by the Muslim Brotherhood to infiltrate the Muslim communities, recruit members and build the Islamist networks that have become so visible lately." Whereas bin Laden uses bombs, al-Qaradawi exploits democracy as a Trojan horse. The Brotherhood gets their activities financed from Germany, England etc. They gain recognition and infiltrate the democratic system.

Patrick Poole[92] describes the discussion of a document entitled "The Project", which so far has been limited to the top-secret world of Western intelligence communities. It was only through the work of an intrepid Swiss journalist, Sylvain Besson, that information regarding The Project was finally been made public. It was found in a raid of a villa in Campione, Switzerland on November 7, 2001.

Included in the documents seized was a fourteen-page plan dated December 1, 1982, outlined a twelve-point strategy for a flexible, multi-phased, long-term approach to the "cultural invasion" of the West. Among the strategies recommended were the following:

- involving ideologically committed Muslims throughout institutions on all levels in the West;
- including government, NGOs, private organisations;
- utilising existing Western institutions until they can be put into service of Islam; and
- instituting alliances with Western "progressive" organisations that share similar goals.

Sylvain Besson and Scott Burgess provide extensive comparisons between Qaradawi's publication, *Priorities of the Islamic Movement in the Coming Phase from 1990*, and *The Project*. They note striking similarities between the two documents.

Meanwhile, Yusuf al-Qaradawi has been hailed as a "moderate" by people such as London's mayor Ken Livingstone, who welcomed him to a conference in Britain. This despite the fact that Qaradawi has supported suicide bombers, brags about how Islam will conquer Europe and was the most important figure in whipping up hatred during the Danish Cartoon Jihad in 2006. The current official leader of the international Muslim Brotherhood, Mohammad Mahdi Akef, has declared that he has "complete faith that Islam will invade Europe and America."

According to Dr. Rachel Ehrenfeld and Alyssa A. Lappen, the Brotherhood and its offspring organisations employ the Flexibility strategy:

“This strategy calls for a minority group of Muslims to use all ‘legal’ means to infiltrate majority-dominated, non-Muslim secular and religious institutions, starting with its universities. As a result, ‘Islamised’ Muslim and non-Muslim university graduates enter the nation’s workforce, including its government and civil service sectors, where they are poised to subvert law enforcement agencies, intelligence communities, military branches, foreign services, and financial institutions.”

Lorenzo Vidino writes about The Muslim Brotherhood’s Conquest of Europe: “Since the early 1960s, Muslim Brotherhood members and sympathisers have moved to Europe and slowly but steadily established a wide and well-organised network of mosques, charities, and Islamic organisations.” According to Vidino, “The ultimate irony is that Muslim Brotherhood founder Hassan al-Banna dreamed of spreading Islamism throughout Egypt and the Muslim world. He would have never dreamed that his vision might also become a reality in Europe.”

Douglas Farah has noted the largely successful efforts by Islamic groups in the West to buy large amounts of real estate. “We do not have a plan. They do. History shows that those that plan, anticipate and have a coherent strategy usually win. We are not winning.”

In early 2006[93], a tiny Norwegian Christian newspaper, *Magazinet*, had reprinted the Danish cartoons of Muhammad. After the spiritual leader of the Muslim Brotherhood, Yusuf al-Qaradawi, indirectly triggered attacks on the Norwegian and Danish embassies in Syria in February that year by whipping up anger in Arab television, Norway’s Minister of Labour and Social Inclusion Bjarne Håkon Hanssen called a press conference at a government office building in Oslo. There Velbjørn Selbekk, the editor of *Magazinet*, issued an abject apology for reprinting the cartoons. At his side, accepting his act of contrition and asking that all threats now be withdrawn, was Muhammad Hamdan, the then-head of Norway’s Islamic Council. As author Bruce Bawer[94] wrote, it was exactly like a scene from a sharia court.

Trond Giske, Minister of Culture and Church Affairs, met with Mr. Muhammad Hamdan a few months later and announced that government subsidies for the Islamic Council would be raised from 60,000 kroner a year to half a million. That’s more than a 700% increase in a single year, and was undoubtedly viewed by Muslims as *jizya*. Thus it was in reality a formal recognition by Norwegian authorities that the country was now under Islamic rule.

Later in 2006, Minister Bjarne Håkon Hanssen from the Labour Party called for increased immigration to Norway from Pakistan because this would be “good for the economy.” The majority of Muslims in Norway voted for the Labour Party in 2005, and 83% for Leftist parties in general. Samira Munir[95], a member of the city council in the capital city of Oslo, warned that there was widespread cooperation between the Socialist parties and Muslim communities during that year’s elections. “The heads of families and the mosques would decide how entire groups of immigrants would vote. They made deals such as ‘How much money will we get if we get our people to vote for you?’, and the deals were always made with the Socialist parties.”

Norway is an unusually naïve nation. While it may not be the best yardstick to measure Islamic infiltration, the challenges Norway faces can be found in many democratic countries, and not just Western ones.

Perhaps the greatest idea of the Leftist factions after the Cold War was to re-invent themselves as Multicultural parties and begin to import voters[96] from abroad. There is

nothing new about buying "clients" by promising them access to other people's money. However, this defect becomes more dangerous when combined with massive immigration. In Europe, Muslim immigration may turn democracy into a self-defeating system that will eventually break down because native Europeans no longer believe that it serves their interests.

The Turkish government tried to influence the Dutch general elections in 2006 through e-mails sent to thousands of ethnic Turks in the Netherlands. According to Paul Belien of The Brussels Journal[97], "This has created a situation where the immigrants in Western democracies become Trojan horses of foreign nationalism and religious fanaticism."

Indian Prime Minister Manmohan Singh, a Sikh, in 2007 stated that minorities, particularly Muslims, must have the first claim on resources so that the benefits of India's economic development would reach them equitably. He failed to state that this was probably also for the electoral benefit of his own Congress Party, which has been courting Muslims in India since the time of Mahatma Gandhi and Nehru. Muslims are lagging behind non-Muslims in economic development everywhere, from Western Europe to Malaysia, which strongly indicates that their backwardness has something to do with Islamic culture.

Muslims in India can partially follow sharia law[98], with official recognition. The All India Muslim Personal Law Board has gone to the High Court to lower the legal age of marriage[99], and insists that in family matters India's Muslims should be subject only to sharia. In January 2007, the government informed the Supreme Court that Muslims under their personal law have a right to establish sharia courts to settle disputes between two people and that fatwas issued by these courts are not in conflict with the Indian justice system.

Scholar K.S. Lal[100] analyzed Indian demography for the period between 1000-1525. Lal estimates that the numbers of Hindus who perished as a result of these campaigns was approximately 80 million.

According to historian N.S. Rajaram[101], "India, where the wounds inflicted by centuries of Islamic rule on a large segment of the Indian intelligentsia and the political class have been so debilitating that they continue to live in a state of constant fear. (...) Political freedom in India has not brought about spiritual freedom; politicians and the intelligentsia still act like oppressed colonial subjects when asked to face the truth about their country's Islamic past."

In Foreign Affairs[102] magazine, F. Gregory Gause III, Associate Professor of Political Science at the University of Vermont claims that there is no evidence that democracy reduces terrorism, and points out the number of terrorist incidents in India:

"It is fair to assume that groups based in Pakistan carried out a number of those attacks, particularly in Kashmir, but clearly not all the perpetrators were foreigners. A significant number of terrorist events in India took place far from Kashmir, reflecting other local grievances against the central government."

Despite the fact that Muslims have massacred tens of millions of non-Muslims in India for more than one thousand years, Muslims in the Republic of India don't merely have equal rights with non-Muslims, they have special rights and can follow sharia for family matters in what is supposedly a secular country. India was also one of the first countries to ban Salman Rushdie's book *The Satanic Verses* after the Ayatollah Khomeini issued his death sentence in 1989, thus restricting the freedom of speech for almost one billion non-Muslims out of fear of Muslim violence.

Former Prime Minister of Thailand Thaksin Shinawatra was controversial for several reasons, but there is no doubt that his clash with the Islamic Jihad in Thailand's south greatly contributed to his removal through a military coup in 2006. Most of Thailand's inhabitants are Buddhists, but the southern provinces close to Malaysia have Muslim majorities, where a Muslim insurgency has prompted many Buddhists to flee their homes. Monks have been beheaded and teachers slain. Almost one thousand public schools[103] have been closed in the south due to a wave of arson attacks against schools and the murders of dozens of teachers.

A leaflet[104] which was distributed in the region stated that "This land must be liberated and ruled by Islamic Law. This land does not belong to Thailand, this is a land of war that is no different from Palestine and Afghanistan ... Muslims and non-believers have to live separately."

Chulanont Surayud, Thai military officer, interim Prime Minister and head of a military junta that had overthrown the elected government in the fall of 2006, publicly apologised[105] for the former government's hard-line policies and said that he would urge the limited use of Islamic law in the south, especially over family affairs.

Judging from the experiences of India, there is little reason to believe that granting limited sharia to Muslims would end violence against non-Muslims. Most likely, the Buddhists of southern Thailand[106] will end up being refugees in their own country, just like the Hindus of Kashmir, while their government appeases Muslims with sharia.

Certain observers mistakenly claim that "once Muslims become a majority, we will get sharia through elections." On the contrary, sharia will arrive much sooner. Observe that relatively small percentages of Muslims can squeeze concessions out of democracies. Sharia has already been partially implemented in India, Thailand, the Philippines, and Britain. Islam's inherent aggressiveness elicits appeasement from non-Muslims in order to avoid bringing down the democratic system through civil war.

In Policy Review, Lee Harris reviews Andrew G. Bostom's excellent book *The Legacy of Jihad*. Harris warns against those who dismiss the idea that Jihad constitutes a serious Islamic threat to the West because we are technologically superior to the Islamic world:

"The jihadists are not interested in winning in our sense of the word. They can succeed simply by making the present world order unworkable, by creating conditions in which politics-as-usual is no longer an option, forcing upon the West the option either of giving in to their demands or descending into anarchy and chaos. It is tempting to call this approach the crash of civilisation."

Accordingly, says Harris, "In the crash-of-civilisation paradigm - contrary to Clausewitzian warfare - the enemy of a particular established order does not need to match it in organisational strength and effectiveness. It needs only to make the established order reluctant to use its great strength out of the understandable fear that by plunging into civil war it will itself be jeopardised. This fear of anarchy - the ultimate fear for those who embrace the politics of reason - can be used to paralyze the political process to the point at which the established order is helpless to control events through normal political channels and power is no longer in the hands of the establishment but lies perilously in the streets."

In September 2006, French high-school philosophy teacher Robert Redeker published an op-ed article stating that unlike Christianity and Judaism, "Islam is a religion that, in its own sacred text, as well as in its everyday rites, exalts violence and hatred." For the crime of stating that Islam was violent, Redeker received numerous death threats and had to go into hiding with his family and give up his teaching profession.

According to writer Christian Delacampagne[107], "large sectors of the French intellectual and political establishment have carved out an exception to this hard-won tradition of open discussion: when it comes to Islam (as opposed to Christianity or Judaism), freedom of speech must respect definite limits."

Seyran Ates, who for a generation had endured threats from Turkish men in Germany, including being shot and badly wounded, as she represented the wives who accused them of abuse, had to give up her Berlin law practice because it had become too dangerous. Italian conservative MP Daniela Santanche has received death threats over her opposition to the Islamic veil. In Spain, author Gustavo de Arístegui[108], Foreign Affairs Spokesman for Spain's conservative Partido Popular, has received police protection after being branded an enemy of Islam.

With Muslim immigration, a culture of threats, legal and social harassment as well as physical intimidation is gradually spreading in non-Muslim countries. What Muslims cannot yet achieve by the sword, they will try to achieve by lawyers backed by Arab oil money. The fear of an expensive court battle is an effective weapon that can be used to silence critics of Islam.

In Canada, Mark Harding[109] was sentenced to 340 hours of community service - that is, indoctrination - under the direction of Mohammad Ashraf, general secretary of the Islamic Society of North America in Mississauga, Ontario. Judge Sidney B. Linden's 1998 decision was based on Canada's hate-crimes law. The judge determined Harding was guilty of "false allegations about the adherents of Islam calculated to arouse fear and hatred of them in all non-Muslim people."

Harding's crime was to distribute pamphlets outside a public high school. His materials listed atrocities committed by Muslims in foreign lands. The pamphlet said: "The Muslims who commit these crimes are no different than the Muslim believers living here" and that "Toronto is definitely on their hit list."

In 2006, Canadian police arrested a group of Muslim men suspected of planning terror attacks against various targets including the Toronto subway. An intelligence study warned that a "high percentage" of Canadian Muslims involved in extremist activities were born in Canada.

Harding's case demonstrates that it is now a criminal act in several Western nations to tell the truth about the dangers posed by Muslim immigration. Hate speech laws amount to "sharia lite": they are used to silence infidels such as Harding for criticising Islam, which again corresponds to the workings of sharia. The sharia lite of political correctness is thus paving the way for the gradual implementation of full sharia in the West.

Hate crime legislation, too, is legalised political correctness and constitutes a radical departure from the ideal of equality before the law. You will be punished differently for assaulting a black Muslim than for the same crime against a white Christian, a Hindu woman or a Jewish man etc. Some would argue that this already happens in real life. However, the point here is that this de facto inequality has now become de jure. This formal change constitutes a gross perversion of justice. It mirrors Islamic law, which mandates different punishments for the same crime, depending upon the religious background and the sex of both the perpetrator and the victim.

Islam has always valued individual life inequitably. But now there is a creeping tendency within the West toward the same view. In the case of assault or murder, an additional sentence is added if the act is viewed as a "hate crime."

Murder is murder, and all human life is to be valued equally. However, according to

multiculturalism we are required to treat all cultures and religions as equally valid, which they obviously are not. This perversion of reality indicates that the Western system of justice is regressing. As it does so, justice becomes vulnerable to exploitation and infiltration by Islamic law.

Zachariah Anani, a former jihadist and a convert to Christianity, gave a lecture in Windsor, Ontario on "the dangers of radical extremism." Muslim interest groups, including CAIR (Council on American-Islamic Relations) Canada, charged him with "spreading hatred in the community." Former Muslim Walid Shoebat[110] believes that silencing Anani is a dangerous trend with far-reaching implications for the future of Canadian and eventually US freedoms.

According to the American writer and scholar Daniel Pipes[111], Omar Ahmad, the long-serving chairman of CAIR, told a crowd of California Muslims in July 1998, "Islam isn't in America to be equal to any other faith, but to become dominant. The Koran ... should be the highest authority in America, and Islam the only accepted religion on earth."

Pipes claims that CAIR has mastered the victimisation game[112] and is "perpetually on the prowl for any incidence of anti-Muslim sentiment, real or imaginary, spontaneous or provoked, major or minor." The organisation's goal, Pipes says, is "to make the United States like so many other countries - a place where Muslims, Islam and Islamism cannot be freely discussed."

CAIR receives significant financial aid in its efforts. In 2006, wealthy Saudis such as Prince Alwaleed ibn Talal donated at least \$50 million to CAIR. Much of this money was to be spent on a media campaign[113] over the next five years in the United States. CAIR and other Islamic organisations have had significant success in achieving acceptance of the concept of "Islamophobia"[114]. It has met with representatives of federal institutions[115], including the FBI, to address this issue.

What exactly is democracy? Karl Popper has said that "I personally call the type of government which can be removed without violence 'democracy,' and the other, 'tyranny.'" Ludwig von Mises held similar views, stating that "The essence of democracy is not that everyone makes and administers laws but that lawgivers and rulers should be dependent on the people's will in such a way that they may be peaceably changed if conflict occurs."

Historically, direct democracies have almost always been relatively small communities, such as the Greek city-states where the word "democracy" itself was coined in the 5th century BC. The most famous was the ancient Athenian democracy, where voting rights were gradually expanded to all citizens, which still meant a minority of the population of the city.

The scholar John Dunn[116] tracks this development in his book *Setting the People Free: The Story of Democracy*, a title he chose in order to convey a degree of irony. According to Dunn, "Under democracy the citizens of Athens, quite reasonably and accurately, supposed that they were ruling themselves. But the vastly less exclusive citizen bodies of modern democracies very obviously do nothing of the kind. Instead, they select from a menu, which they can do little individually to modify, whichever they find least dismaying amongst the options on offer."

Whereas Plato loathed democracy, Aristotle was critical but more sober. He envisioned a government by the many, which was nevertheless a good system:

merely by a difference in purpose and disposition (a commitment to collective good rather than group advantage), but also by a different and more elaborate institutional structure.”

James Madison, the chief drafter of the Bill of Rights, contributed a great deal to drafting of the US Constitution and set-up of its government, in discussion with among others his friend Thomas Jefferson. They were both critical of the idea of pure democracy. Thomas Jefferson warned against “elective despotism.” They desired what Alexander Hamilton had called a representative democracy, or indirect democracy. Dunn is not convinced this arrangement can properly be called democracy, in the meaning of direct citizen involvement in decisions which it had in ancient Greece.

Page 79: “Whatever else the new American state might or might not be called, it could not properly be termed a democracy. A representative government differed decisively from a democracy not in the fundamental structure of authority which underlay it, but in the institutional mechanisms which directed its course and helped to keep it in being over time.”

John Dunn thinks US President Bush’s idea that the expansion of democracy to Iraq and the Middle East should roll back terrorism was “a glaring instance of ideological overstretch.”

Maybe the word “democracy” is now so diluted that it has become almost meaningless. Since the word itself is vague but at the same time too established to ignore, perhaps we can distinguish between pure democracy, which isn’t always a good system even without Islam, and restrained democracy, with a balance between short-term populism and long-term interests.

In *The Case for Sovereignty*, Jeremy A. Rabkin describes how Jürgen Habermas, Germany’s most celebrated philosopher, talks about establishing a structure of international law and authority that will control and direct all governments.

As Rabkin timely asks: “Who could challenge or constrain a world authority with such immense power? Even if it were constrained by a formal constitution, who could possibly ensure that the world authority remained within its proper bounds? How could it be anything like a democracy? Would a hundred small nations outvote the half-dozen largest nations? Or would a billion Chinese, a billion Indians, and a half-billion Southeast Asians be allowed to form a permanent majority, dictating law and justice to the rest of the world?”

There was no United Nations or international law in the late 18th century. Rabkin thinks the US Founding Fathers “would have been appalled at the thought that the federal government, in turn, would be subordinate to some supranational or international entity, which could claim priority in this way over the American Constitution and American laws.”

The combination of 21st century mass media, transnational legislation, and bureaucratic feudalism helped transform Europe into Eurabia[117]. Thousands of pages of legislation continue to be passed without the knowledge or consent of European citizens. Through mass immigration the demographic profile of the continent is now rapidly changing, frequently without public consent.

The Jihad riots in France[118] in 2005 demonstrated that hundreds of ghettos were under de facto Islamic control. French state control ceased to function in these areas; thus the state’s monopoly of violence has been broken. The rule of law in much of Europe is now being seriously eroded. People see that the national taxes they pay go to governments that can no longer control their own borders, uphold their own laws, or even provide the most basic security for its citizenry.

Either the conditions needed for a functioning democratic system will be restored, or the system will collapse. An increasing number of observers fear[119] that we have already passed the point where the tensions can be contained within the structure of a democratic system, and will give rise to civil wars.

The Racial and Religious Hatred Bill[120] in Britain from 2005 is a textbook illustration of the potential flaws of a democracy in meeting with Islam. Minorities can wield disproportionate influence in a democratic system if they can tip the scales in favor of a particular party or alliance. In this case, the Labour Party was using the freedom of speech of their citizens as a bargaining chip to woo Muslim voters.

The powers of the House of Lords, the unelected upper chamber of the British Parliament, have steadily declined since the 19th century. However, they can still delay bills from the House of Commons. A watered down version of the Racial and Religious Hatred Bill was finally passed, following opposition by the Lords. Notice here that it was the "anachronistic" House of Lords - the least democratic element of the British Parliament - which proved to be most sensible in this case.

The US Founding Fathers feared "mob rule" and tried to insulate the elected representatives of Congress from what they perceived as the fickleness of the general populace. I understand this viewpoint. We should be less religious about what is or is not democracy. Democracy should never be a goal in itself, nor should all legislation be passed according to the whim of the majority at a given moment. The ideal is a balanced and well-functioning system.

However, it isn't always the case that ordinary citizens are stupid and their leaders wise. It was after all the political elites in Europe who created Eurabia, not the general populace. The US Founding Fathers in the 18th century did not fully foresee the possibility that the elected representatives could deliberately choose not to uphold their country's borders, as they are doing in the United States vis-à-vis Mexico in the 21st century.

A century or two ago, the interests of the national political elites largely coincided with those of the nation state as a whole[121]. This is no longer automatically the case in our globalised society. Many politicians and senior bureaucrats feel little emotional attachment to their own nations. Often they are more interested in courting the transnational organisations and multinational corporations, since these entities will provide them with the most lucrative job opportunities.

This situation is an important factor behind the growing erosion of trust between the rulers and the ruled in many Western nations. A common - and often quite accurate - theme among ordinary citizens is a sense of having been abandoned by the "political elites." In the 21st century, one of the greatest challenges for a functioning democratic system will not merely be to keep the fickleness of the "common people" in line. Even more important, it will be necessary to force the sometimes reluctant elected representatives to uphold their country's borders and to take into account the wishes of the electorate for national sovereignty. This balance may not be easy to achieve.

The Chinese blogger Ohmyrus[122] (who also writes very sensible articles about Islam) on his blog "Reforming Democracy" refers to politicians as "votepreneurs" and points out that democracy has several flaws: "There are, simply put, more poor people than rich people. What this means is that politicians can prosper at the ballot box by proposing redistributive policies. The result is high taxes."

According to Thomas Jefferson, "The democracy will cease to exist when you take away from those who are willing to work and give to those who would not." Quotes like this

indicate, according to Ohmyrus, that the US Founding Fathers were concerned more with liberty than with democracy.

Ohmyrus also believes that democracies produce short-term thinking, and "are incapable of delivering short term pain for long term gain. They tend to do the opposite, ie, deliver short term gain at the expense of long term pain. (...) I think the monarchies of the 19th century Europe were better macroeconomic managers than the democratically elected politicians of the 20th century. Statistics show that interest rates, taxes and inflation were on the whole lower. So was government debt as a share of the GDP."

He believes this happened because monarchs and nobles tended to think more about the long term. At the same time they did not have absolute power, and so had to take the will of the general public into consideration. Our current problem lies not so much with the votepreneurers (politicians), but with the system under which they labour.

He proposes several remedies for this situation. Among other things, the US President's time in office could be increased to a single term of eight years, while the time in office for other elected officials would also lengthen and similarly be fixed for a single term.

According to Singapore's long-time leader Lee Kuan Yew[123], it is demography, not democracy, that will be the critical factor in shaping growth and security in the 21st century. Although I do not always agree with him, it is true that any political system, democratic or non-democratic, cannot long survive the loss of its territorial integrity without also losing control over its own demographic future. Yet this is exactly the current reality in many democratic nations.

Just as the planet is in the midst of an unprecedented population boom, and technological advances have combined to produce the largest and fastest migration waves in the history of mankind, many democratic nations have become so bogged down by idealistic human rights legislation and naive open border ideologies that they have now lost control over their own borders. Again, this cannot continue for long without serious consequences.

In January 2007, a poll conducted in Britain showed that 82% of the public disagreed with the claim that the Government was in control of immigration, and almost as many believed the authorities were not honest about immigration. Sir Andrew Green, chairman of the think-tank Migrationwatch[124], said this reflected "a deep underlying resentment among the public that they have not had any opportunity to express their views - still less to be consulted - on a matter of major importance to them and to the future of our country."

This represents a dangerous crisis of legitimacy. It is especially serious when it comes as authorities are increasing restrictions on free speech. This combination could well result in a popular explosion further down the road. As US President John F. Kennedy once said, "Those who make peaceful revolution impossible will make violent revolution inevitable."

The blogger Ohmyrus[125] fears this outcome, too: "While it took a long time for Europeans to learn to settle their differences peacefully through the ballot box, this important lesson is slowly being unlearned. The lesson learned from the Danish cartoon affair is that violence pays. Most western governments caved in by issuing apologies or condemning the cartoons instead of defending free speech. Soon groups that oppose immigration will turn to violence too. If European democracies cannot manage their ethnic tensions, democracy will break down, ushering in dictatorial rule."

To sum up my findings, I am not totally uncritical of the democratic system, nor do I believe that it automatically translates into individual liberty. Democratic nations may

have to undergo significant changes if the system of democracy is to survive this century. The goals should be:

- A balanced and well-functioning system, which requires free speech;
- Real restraints upon the power of the ruler, and
- Equality before the law.

None of these are compatible with Islamic sharia.

Muslims aren't necessarily afraid of voting. Note that the terrorist organisation Hamas gained power through Palestinian elections. According to historian Niall Ferguson[126], a Gallup poll published in 2007, which surveyed 10,000 Muslims in 10 different countries, revealed that radical Muslims were more supportive of democracy than moderate ones: "The richer these people get, the more they favour radical Islamism. And they see democracy as a way of putting the radicals into power."

What Muslims are afraid of is freedom of speech. They want to intimidate the critics of Islam into silence, while they continue demographic conquest through immigration and high birth rates. They have enjoyed considerable success with this strategy. Our present system of democracy rewards those with high birth rates, which, for the present, means Muslims.

A democracy cannot be established in a genuinely Islamic country, at least not if "democracy" means anything more than the mere act of voting, with no restraints on state power and no safeguards for minorities. This is simply an advanced form of mob rule. If the meaning of "democracy" expands to include constitutional government, secular jurisprudence, the rule of law and equality before the law, and above all freedom of speech, then no - constitutional democracy cannot be reconciled with Islam. It is a waste of time and money to make the attempt.

Non-Muslims currently have the wrong focus. Trying to export democracy to Islamic countries such as Iraq is futile. As American blogger Lawrence Auster[127] has pointed out, we should rather be protecting our own democracies at home against Islam. Writer Diana West[128] has called for an anti-sharia defensive instead of a pro-democracy offensive as the preferred strategy in dealing with Muslims, which makes a lot of sense. Islam is utterly incompatible with human liberty in any meaningful sense of the word. However, Islam may be very well situated to exploit flaws in the democratic system and destroy it from within.

I have called for a global infidel strategy of containment[129] of the Islamic world as far as possible, which includes banning Muslim immigration. This would eventually force Muslims to face up to the failures produced by their cultural system. Challenge your enemy where he is weak. Islam cannot tolerate freedom of speech, which is its greatest weakness. The United States is well-situated to make this challenge. It still has a relatively low number of Muslims and also retains strong legal protections of free speech. The greatest weapon Muslims fear in the American arsenal is the First Amendment. This rule, so wisely included in the Bill of Rights by the Founding Fathers, ensures individual freedom of speech against the tyranny of the majority.

If the United States wants to maintain what it sees as its moral leadership, it can begin by challenging Islamic censorship and intimidation. China doesn't care, nor does Russia, while India has a huge Islamic fifth column to worry about. Europe is controlled by a Eurabian elite that is both unwilling and incapable of protecting free speech from Muslim intimidation, which is why many Europeans have become free speech refugees on

American websites such as Robert Spencer's JihadWatch.org and Charles Johnson's Little Green Footballs[130].

While formal protection of free speech is important, social and informal censorship are equally challenging. At the end of the day, we will also have to shed the straightjackets of multiculturalism and Political Correctness if our democratic system is to survive Islamic challenges as well as other attacks on our freedoms.

Source:

<http://gatesofvienna.blogspot.com/2007/04/is-islam-compatible-with-democracy.html>

1. <http://www.usc.edu/dept/MSA/quran/008.qmt.html#008.012>
2. <http://www.usc.edu/dept/MSA/fundamentals/hadithsunnah/bukhari/052.sbt.html#004.052.220>
3. <http://www.brusselsjournal.com/node/1650>
4. <http://52.571.13.320subf02:LRdpjk781698196548B4>
<http://ancienthistory.about.com/gi/dynamic/offsite.htm?zi=1/XJ&sdn=ancienthistory&zu=http://www.fordham.edu/halsall/ancient/aristotle-politics1.html>
5. <http://www.amazon.com/How-West-Lost-Alexander-Boot/dp/1850439850/>
6. <http://www.weeklystandard.com/Content/Public/Articles/000/000/012/736fyrpi.asp?pg=1>
7. <http://www.amazon.com/Road-Serfdom-Fiftieth-Anniversary/dp/0226320618/>
8. <http://www.brusselsjournal.com/node/1624>
9. <http://fjordman.blogspot.com/2005/11/11-years-chaos-for-eu-accounts.html>
10. <http://gatesofvienna.blogspot.com/2006/08/welfare-state-is-dead-long-live.html>
11. <http://gatesofvienna.blogspot.com/2006/07/let-them-eat-kebab-new-marie.html>
12. <http://www.brusselsjournal.com/node/1101>
13. <http://www.jihadwatch.org/dhimmiwatch/archives/013083.php>
14. <http://www.meforum.org/article/734>
15. <http://www.jihadwatch.org/archives/000250.php>
16. <http://www.muslimphilosophy.com/ik/Muqaddimah/>
17. <http://www.jihadwatch.org/dhimmiwatch/archives/008946.php>
18. <http://www.jihadwatch.org/dhimmiwatch/archives/011752.php>
19. http://fjordman.blogspot.com/2005/10/bangladesh-non-muslim-ethnic-groups_19.html
20. <http://fjordman.blogspot.com/2005/11/pakistan-hindu-girls-forced-to-convert.html>
21. <http://www.pakistanchristianpost.com/newsviewsdetails.php?newsid=437>
22. http://www.youngmuslims.ca/online_library/books/milestones/hold/chapter_11.asp
23. <http://www.islamicawakening.com/viewarticle.php?articleID=619>
24. <http://www.muhammad.net/quran/shadeofQuran/index.htm>
25. <http://www.jihadwatch.org/archives/008758.php#more>
26. <http://www.jihadwatch.org/dhimmiwatch/archives/000687.php>
27. <http://fjordman.blogspot.com/2005/07/camel-economics.html>
28. http://www.washingtonpost.com/wp-dyn/content/article/2006/05/19/AR2006051901769_pf.html
29. <http://www.jihadwatch.org/archives/005810.php>
30. <http://www.jihadwatch.org/dhimmiwatch/archives/014195.php>
31. <http://littlegreenfootballs.com/weblog/?entry=23580&only>
32. <http://www.jihadwatch.org/dhimmiwatch/archives/008237.php>
33. <http://www.jihadwatch.org/dhimmiwatch/archives/007764.php>
34. <http://www.jihadwatch.org/dhimmiwatch/archives/000692.php>
35. <http://www.guardian.co.uk/Iraq/Story/0,,1888848,00.html>
36. <http://www.jihadwatch.org/archives/003608.php>
37. <http://www.jihadwatch.org/dhimmiwatch/archives/016078.php>
38. <http://www.srpska-mreza.com/library/facts/alija.html>
39. <http://www.faithfreedom.org/book.htm>
40. <http://www.guardian.co.uk/race/story/0,,1794445,00.html>
41. <http://www.jihadwatch.org/archives/005810.php>
42. <http://www.faithfreedom.org/oped/sina60202.htm>
43. <http://www.jihadwatch.org/archives/003590.php>
44. <http://www.amazon.com/Leaving-Islam-Apostates-Speak-Out/dp/1591020689/>
45. <http://www.frontpagemag.com/Articles/ReadArticle.asp?ID=21799>
46. <http://memri.org/bin/articles.cgi?Page=archives&Area=sd&ID=SP62103>
47. <http://memri.org/bin/articles.cgi?Page=archives&Area=sd&ID=SP87605>
48. <http://www.jihadwatch.org/dhimmiwatch/archives/004902.php>
49. <http://48.866.2.306subf54:LWpprvt125662489953FH>
http://www.telegraph.co.uk/news/main.jhtml;sessionid=WQ000AD30EE1NQFIQMGM5WAVCBQUJVC?xml=/news/2004/12/18/nprince18.xml&secureRefresh=true&_requestid=66141
<http://47.372.8.539subf94:LCngck463136616341JT>
50. <http://www.jihadwatch.org/dhimmiwatch/archives/004932.php>
51. <http://memri.org/bin/articles.cgi?Page=archives&Area=ia&ID=IA20805>
52. http://www.dailytimes.com.pk/default.asp?page=story_11-3-2004_pg3_3
53. <http://www.canada.com/topics/news/world/story.html?id=b4d47fc8-9764-4bc9-9fa3-4cbd0d7c56e3&k=88232>
54. <http://snouck.blogspot.com/2006/11/muslims-in-west-implications-for.html>
55. <http://www.militantislammonitor.org/article/id/320>
56. http://www.expatica.com/actual/article.asp?subchannel_id=1&story_id=30780
57. <http://www.theaustralian.news.com.au/story/0,20867,20817548-16947,00.html>
58. <http://memri.org/bin/articles.cgi?Page=archives&Area=sd&ID=SP139306>
59. <http://islamqa.com/index.php?ref=6622&ln=eng&txt=al-%E2%80%98aabid>
60. <http://www.faithfreedom.org/oped/YounusShaikh50331.htm>

61. http://www.islamonline.net/servlet/Satellite?cid=1145175705661&pagename=IslamOnline-English-Ask_Scholar/FatwaE/FatwaEAskTheScholar

62. http://www.islamonline.net/servlet/Satellite?pagename=IslamOnline-English-Ask_Scholar/FatwaE/FatwaE&cid=1119503544462

63. <http://www.guardian.co.uk/comment/story/0,3604,1605653,00.html>

64. <http://www.dawn.com/weekly/mazdak/20051112.htm>

65. <http://www.csmonitor.com/2006/0510/p01s04-wome.html>

66. <http://www.jihadwatch.org/archives/015002.php>

67. <http://www.jihadwatch.org/dhimmiwatch/archives/015008.php>

68. <http://www.jihadwatch.org/dhimmiwatch/archives/009430.php>

69. <http://www.garnertedarmstrong.ws/UnitedEuropeStories/unitedeuropestory06-35.shtml>

70. <http://frontpagemag.com/Articles/ReadArticle.asp?ID=14117>

71. <http://service.spiegel.de/cache/international/0,1518,376954,00.html>

72. <http://www.islaam.com/Article.aspx?id=117>

73. <http://www.benadorassociates.com/article/4462>

74. <http://www.nationalreview.com/comment/comment-taheri010603.asp>

75. <http://www.amazon.com/Eurabia-Euro-Arab-Axis-Bat-YeOr/dp/083864077X/>

76. <http://www.islamonline.net/askaboutislam/display.asp?hquestionID=4223>

77. <http://www.jihadwatch.org/archives/008212.php>

78. <http://www.jihadwatch.org/dhimmiwatch/archives/005611.php>

79. <http://memri.org/bin/articles.cgi?Page=archives&Area=sd&ID=SP94105>

80. <http://www.cphpost.dk/get/83602.html>

81. <http://www.cphpost.dk/get/94809.html>

82. http://www.khader.dk/fix/in_english/the_ten_commandments_of_democracy/

83. <http://www.meforum.org/article/1437>

84. <http://www.cphpost.dk/get/92320.html>

85. <http://littlegreenfootballs.com/weblog/?entry=21222>

86. <http://www.washingtontimes.com/world/20070131-102348-3981r.htm>

87. <http://www.nysun.com/article/44831>

88. <http://www.jihadwatch.org/dhimmiwatch/archives/005052.php>

89. <http://www.jihadwatch.org/dhimmiwatch/archives/015022.php>

90. <http://www.sfgate.com/cgi-bin/article.cgi?file=/news/archive/2006/11/29/international/i114621S94.DTL>

91. <http://www.aftenposten.no/meninger/kronikker/article1240651.ece>

92. http://gatesofvienna.blogspot.com/2006/10/eurabia-code_19.html

93. <http://gatesofvienna.blogspot.com/2007/03/norwegian-government-surrenders-to.html>

94. <http://www.brucebawer.com/blog.htm>

95. <http://www.faithfreedom.org/oped/Fjordman51205.htm>

96. <http://www.jihadwatch.org/dhimmiwatch/archives/011610.php>

97. <http://www.brusselsjournal.com/node/1739>

98. <http://www.jihadwatch.org/dhimmiwatch/archives/002750.php>

99. http://news.bbc.co.uk/2/hi/south_asia/2238321.stm

100. <http://www.jihadwatch.org/dhimmiwatch/archives/015024.php>

101. <http://www.jihadwatch.org/dhimmiwatch/archives/006664.php>

102. <http://www.foreignaffairs.org/20050901faessay84506/f-gregory-gause-iii/can-democracy-stop-terrorism.html>

103. <http://www.jihadwatch.org/archives/014250.php>

104. <http://www.jihadwatch.org/archives/014369.php>

105. <http://littlegreenfootballs.com/weblog/?entry=23192&only>

106. <http://www.jihadwatch.org/archives/009732.php>

107. <http://www.commentarymagazine.com/cm/main/viewArticle.aip?id=10813&page=all>

108. <http://www.frontpagemag.com/Articles/ReadArticle.asp?ID=24141>

109. http://www.worldnetdaily.com/news/article.asp?ARTICLE_ID=29483

110. <http://www.jihadwatch.org/dhimmiwatch/archives/014943.php>

111. <http://www.danielpipes.org/article/3437>

112. http://littlegreenfootballs.com/weblog/?entry=23762_CAIRs_Victimization_Game&only

113. http://littlegreenfootballs.com/weblog/?entry=23450_CAIRs_Five-Year_Propaganda_Push_Continues&only

114. <http://www.jihadwatch.org/archives/014530.php>

115. http://atlasshrugs2000.typepad.com/atlas_shrugs/2007/02/preparing_for_w.html

116. http://www.opendemocracy.net/democracy-opening/focus_2944.jsp

117. http://gatesofvienna.blogspot.com/2006/10/eurabia-code_19.html

118. http://fjordman.blogspot.com/2005/12/sarkozy-backs-finkielkraut-over-muslim_09.html

119. <http://gatesofvienna.blogspot.com/2007/04/is-european-civil-war-inevitable-by.html>

120. http://en.wikipedia.org/wiki/Racial_and_Religious_Hatred_Act_2006

121. <http://www.brusselsjournal.com/node/1101>

121. <http://50.832.4.364subf48:KEmhif867483597136UJb>

122. <http://democracyreform.blogspot.com/2006/11/democracy-needs-reformation-by-ohmyrus.html>

123. <http://www.channelnewsasia.com/stories/singaporelocalnews/view/165842/1/.html>

124. <http://www.migrationwatchuk.org/pressreleases/pressreleases.asp?dt=30-January-2007>

125. <http://democracyreform.blogspot.com/>

126. <http://www.telegraph.co.uk/opinion/main.jhtml?xml=/opinion/2007/02/25/do2501.xml>

127. <http://www.amnation.com/vfr/>

128. <http://www.jihadwatch.org/archives/012894.php>

129. <http://gatesofvienna.blogspot.com/2006/10/recommendations-for-west.html>

130. <http://www.littlegreenfootballs.com/weblog/>

Demography

2.52 Demography and the Islamisation of Europe

"Facts do not cease to exist because they are ignored."

Aldous Huxley

Why are demographical studies important?



Europe is under siege by Islam. It is under demographical siege. In order for us, the resistance, to do what is required of us we need to properly analyse and comprehend demographical data. If we had learned from our own history, from our Eastern European brethren, we could have avoided this mess altogether. European demographical studies, especially in the Balkans and elsewhere, confirm that the Global Islamic Ummah has deliberately waged a demographic warfare against Eastern Europe since the fall of the Christian Byzantine Empire. In light of the following documentation it is easy to understand the Western European regimes role in all of this. The US and Western Europe wanted to see a dysfunctional Balkan because a strong and potent Slavic Balkan allied with Russia would pose a threat to cultural Marxist/multiculturalist

Western Europe.

However, once the cultural Marxist/multiculturalist regimes of Western Europe falls in phase 3 (2070-2090), order will again be restored not only in Western Europe but in the Balkans as well. The Muslims will finally be driven out.

Demographics – Islamic demographic warfare

"One day, millions of men will leave the Southern Hemisphere to go to the Northern Hemisphere. And they will not go there as friends. Because they will go there to conquer it. And they will conquer it with their sons. The wombs of our women will give us victory."

Former Algerian President Houari Boumedienne's prophetic warning to Europe in a speech at the U.N. In 1974.

After the European colonies achieved independence, the European countries enabled mass immigration from their former colonies. In the 1960s and early 1970s, guest workers were brought over by the governments of France, the UK, Germany, the Netherlands, Belgium and Scandinavia. Once the European countries imposed an immigration ban, the type of immigration shifted. Today most Muslim immigrants come either as asylum seekers or as part of family reunification. Many of the second generation migrants marry spouses from their former homeland.

Islam in Europe (1990-2008) – Falsified numbers provided by multiculturalists per 2008

<1%
1%–2% (Italy, Norway, Greece)
2%–3% (Denmark Spain, Slovenia, UK)
3%–4% (Germany, Sweden, Serbia)
4%–5% (Belgium, Austria, Switzerland)
5%–10% (Netherlands, France)
10%–20% (Russia, Bulgaria, Montenegro, Cyprus)
20%–40% (Macedonia)
40%–60% (Bosnia and Herzegovina)
60%–80% (Albania)
80%–95% (Kosovo)

Several countries have gone to great lengths to conceal the size of their Muslim population. In some countries they have even made it illegal to gather such info. The primary reason is because they do not want right wing organisations to make an issue out of it. If we were allowed to (they feel), it would contribute to stigmatise Muslims and it would make it counter productive in regards to integration measures. If this information was available it would be a lot harder for the current Western European regimes to continue to justify multiculturalism and the ongoing Islamic demographic warfare being waged. The below overview should reflect the correct numbers for 2009 (estimates).

Muslims in Europe - Actual numbers 2009 (+ projections)

	2009	2030	2050	2070
Iceland	1%–2%	6%	12%	24%
Malta	1%–2%	7%	14%	28%
Portugal	2%–3%	8%	16%	32%
Greece	2%–3%	8%	16%	32%
Finland	2%–3%	8%	16%	32%
Luxembourg	4%–5%	10%	20%	38%
Norway	4%–5%	10%	20%	38%
UK	4%–5%	10%	20%	38%
Denmark	5%–6%	12%	24%	40%
Italy	5%–6%	12%	24%	40%
Sweden	6%–7%	14%	28%	46%
Switzerland	6%–7%	14%	28%	46%
Germany	7%–8%	16%	32%	50%
Belgium	7%–8%	16%	32%	50%
Netherlands	9%–10%	20%	40%	55%
France	12%–13%	25%	50%	70%
Russia	18%	28%	54%	72%
Serbia (w. Kosovo)	24%	(Serbia – 3,2%, Kosovo 94%)		

(conservative estimates, actual numbers might be higher)

Muslims in Western Europe, 1955-2090

Year	Muslims
1955	50 000
1970	2 000 000
1980	5 000 000
1990	11 000 000
2005	23 000 000
2009	30 000 000
2030	50 000 000
2050	70 000 000
2070	100 000 000
2090	140 000 000

Muslim demography, projections[1]

Don Melvin writes that, excluding Russia, Europe's Muslim population will double by 2020. He also says that in 2005, almost 85% of Europe's total population growth in 2005 was due to immigration in general. Omer Taspinar predicts that the Muslim population of Europe will nearly double by 2015, while the non-Muslim will shrink by 3.5%, due to the higher Muslim birth rate[1].

Source:

1. http://en.wikipedia.org/wiki/Islam_in_Europe

Muslim Demographic growth – Western Europe

Realistic case

Year	Musl%
2010	3,7
2015	5,0
2020	6,5
2025	8,3
2030	10,4
2040	15,7
2050	22,4
2075	44,9
2100	68,9

Best case

Year	Musl%
2010	3,0
2015	3,6
2020	4,3
2025	5,1
2030	6,0
2040	8,1
2050	10,7
2075	19,4
2100	31,7

Worst case

Year	Musl%
2010	4,7
2015	7,0
2020	9,8
2025	13,1
2030	17,0
2040	26,5
2050	38,1
2075	68,7
2100	88,3

Sweden Muslim demographics[1]

>1940 - 10-100

The first came as refugees during the WW2, primarily North Turks who came through the Baltic's and Russia.

1950 The first Muslim organisation created in Stockholm in the 50s. Aprox. 50-100 Muslims were involved.

1964 - 600
1970-75 - 10 000
1980 - 40 000
1990 - 150 000
2001 - 370 000
2006 - 475 000
2008 - 500 000-600 000

Source:

1. <http://video.google.com/videoplay?docid=4837696212142783883>

2008 - Numbers and percentages of Muslims in many European cities (legal/illegal including city suburbs)[1][2][3]:

A majority of the "official" numbers are false. Usually the specific country will only include individual Muslims who are registered with a mosque. In other cases a capital city will deliberately exclude related Muslim suburbs. In most cases, the city will deliberately avoid creating these types of statistics to prevent stigma.

	1946	1970	1990	2008	2030
Marseilles	0%	>2%	19%	38%	51%
Malmö	0%	>1%	17%	35%	48%
Brussels	0%	>2%	17%	35%	48%
Amsterdam	0%	>2%	15%	30%	45%
Stockholm	0%	>1%	10%	20%	35%
London	0,1%	>1%	10%	20%	35%
Paris	0,1%	>2%	10%	20%	35%
Oslo	0%	>1%	10%	20%	35%
Moscow	0%	>2%	8-10%	16-20%	33%
Berlin	0%	>1%	9%	18%	30%
Hague	0%	>1%	8%	17%	29%
Copenhagen	0%	>1%	8%	17%	29%
Utrecht	0%	>3%	7-8%	15%	25%
Rotterdam	0%	>2%	7-8%	15%	25%
Antwerp	0%	>1%	7-8%	15%	25%
Hamburg	0%	>1%	7-8%	15%	25%

Related stories (a few randomly selected articles):

- Brussels: Possible Muslim majority in 15-20 years[4]
- Muslims oppose mixed swimming, want separate pools and hijab[5]
- Berlin: Muslim Fundamentalist Kindergarden opened[6]
- Germany: Imams unable to help integration as many are fundamentalists[7]
- Berlin: 25% foreigners, 40% foreigner youth[8]
- Over 80 percent of the mosques in the United States "have been radicalised by Saudi money and influence"[9]
- Saudi funding Western academia to make it less "Islamophobic."[10]
- Rotterdam: 24% of Turks, 22% of Moroccans, married with family[11]
- Hospitals to offer halal food, accommodates Muslim patients[12]
- Muslim terror in Utrecht[13]
- Denmark: The caricature drawers have received more than 110 death threats[14]
- Denmark: 6-8 Muslim girls went to the school of the daughter of one of the caricature drawers to beat her up[15]
- The Norwegian government support the creation of Sharia councils in Norway[16]
- Islamic power struggles have occurred within Muslim religious societies where the more conservative Muslims want to increase "traditionalism" while the more moderate want to wait until they are stronger[17]
- Sharia laws already implemented in several asylum camps[18]
- "One time use only" hijab introduced in health care industry and other businesses[19]
- 51 out of 125 primary schools in Oslo have immigrant majority. A great majority of these immigrants are Muslims.[20]
- Bosnia: Sarajevo almost fully Muslim[21]
- Athens: Muslim street battles[22]
- UK: 3 out of 5 Brits say they live in a broken country[23]
- UK: Secret Labour plan to increase immigration for social reasons dismissed public's opposition as "racist"[24]

Sources:

1. <http://www.globalpolitician.com/24799-europe>
2. <http://tinyfrog.wordpress.com/2009/05/03/muslim-demographics/>
3. Indymedia.be notes that Brussels is 25.5% Muslim
4. <http://www.lefigaro.fr/international/2008/03/21/01003-20080321ARTFIG00068-l-islam-premiere-religiona-bruxelles-dans-vingt-ans.php> <http://islamineurope.blogspot.com/2008/03/brussels-possible-muslim-majority-in-15.html>
5. http://www.islamonline.net/servlet/Satellite?c=Article_C&cid=1224694278772&pagename=Zone-English-News/NWELayout
6. <http://www.dw-world.de/dw/article/0,2144,3407535,00.html>
7. <http://www.spiegel.de/international/germany/0,1518,562950,00.html>
8. <http://islamineurope.blogspot.com/2008/07/berlin-25-foreigners-40-foreigner-youth.html>
9. <http://www.jpost.com/servlet/Satellite?apage=1&cid=1132475689987&pagename=JPost/JPArticle/ShowFull>
10. <http://www.globalpolitician.com/node/1282>
11. http://www.volkskrant.nl/binnenland/article511908.ece/Kwart_Rotterd
12. <http://leiden.westonline.nl/nieuwsitem/14116>
13. http://www.nisnews.nl/public/021008_2.htm
14. <http://www.vg.no/nyheter/utenriks/artikkel.php?artid=124183>
15. <http://www.vg.no/pub/vgart.hbs?artid=124183>
16. <http://www.vg.no/pub/vgart.hbs?artid=61199>
17. <http://www.aftenposten.no/nyheter/iriks/article1240110.ece>
18. <http://www.vg.no/pub/vgart.hbs?artid=107831>
19. <http://www.aftenposten.no/nyheter/iriks/article2756429.ece>
20. <http://www.dagsavisen.no/innenriks/article418561.ece>
21. <http://www.adnkronos.com/AKI/English/Politics/?id=1.0.2396935759>
22. <http://www.iht.com/articles/2008/10/02/europe/greece.php>
23. <http://www.timesonline.co.uk/tol/news/politics/article7020009.ece?&EMC=Bltn=CDNGQ2F>
24. <http://www.dailymail.co.uk/news/article-1252926/Chris-Grayling-criticised-Labours-Phil-Woolas-secret-immigration-plans.html>

General source for UK, Russia, Germany, Sweden:

<http://www.morgenbladet.no/apps/pbcs.dll/article?AID=/20080620/OAKTUELT/881038969>

General source for various articles:

<http://islamineurope.blogspot.com/search/label/Demographics>

European fertility vs Islamic fertility

"Every Western woman in the EU is producing an average of 1.4 children. Every Muslim woman in the same countries is producing 3.5 children. By 2050, 30 percent of the population in Europe will be Muslim." said Mulla Krekar[1].

1. <http://gatesofvienna.blogspot.com/2006/09/why-we-cannot-rely-on-moderate-muslims.html>

European vs Muslim fertility rate

Year	Non-Muslim	Muslim
France	1,7	3,2
UK	1,6	3,6
Greece	1,3	3,4
Germany	1,3	3,2
Italy	1,2	3,2
Spain	1,2	3,2
EU average	1,3	3,3

Islamic demographic warfare in the Balkans

A majority of the Muslim apologists in the west will say that Islam and Sharia was never important to the Muslims in the Balkans, the Muslim Albanians and Bosniaks. This is a false claim. The Code of Lekë (Kanun) was a local variant of Sharia and was instrumental in the Jihadi demographic warfare being waged against the non-Muslims.

Even today, Albanian Muslims continue to Islamise Kosovo from the Serbs and Chameria/Çamëria from Greece.

Balkan countries – Muslim percentage of population[1]

1. Slovenia - Muslim 2.4%
 2. Croatia - Muslim 1.3%
 3. Bosnia and Herzegovina - Muslim 40% (Bosniak 48%)
 4. Serbia - Muslim 3.2%
- Kosovo – Muslim 90-95% (Albanians 88% Serbs 7%)
5. Albania - Muslim 70%
 6. FYROM Macedonia - Muslim 33.3%
 7. Greece - Muslim 1.3%
 8. Bulgaria - Muslim 12.2%

1. CIA World Fact book - 2008

Kosovo demographical development[1]:

1900 40% Islam
1913 50%
1925 60%
1948 72%
1971 79%
1981 85%
2008 93% (NATO coup - Kosovo lost) Successful Jihad

Source:

1. <http://www.serbianna.com/columns/savich/011.shtml#6>

Various demographical data

Muslims in the US[1]

1.1 million (2001) City University of New York - American Religious Identification Survey [0.5% of national adult population]
1.6 million (2000) Glenmary Research Center
1.8 million (2007) The World Factbook
1.9 million (2001) American Jewish Committee
2.0 million (2000) Hartford Institute for Religious Research
2.4 million (2007) Pew Research Center
4.7 million (2005) Encyclopædia Britannica Book of the Year
6-7 million (2001) Council on American-Islamic Relations - The Mosque in America: A National Portrait
6.7 million (1997) J. Ilyas Ba-Yunus [2.2% of national population]
7 to 8 million (2008) Newsweek
9-10 million (2009)?

Source:

1. http://en.wikipedia.org/wiki/Islam_in_America

Current Balkan demographics

http://en.wikipedia.org/wiki/Ethnic_groups_in_Bosnia_and_Herzegovina
http://en.wikipedia.org/wiki/Demographics_of_Serbia_and_Montenegro
http://en.wikipedia.org/wiki/Demographics_of_Serbia
<http://en.wikipedia.org/wiki/Macedonia>

Historic Balkan and Anatolia demographics

http://en.wikipedia.org/wiki/Demographic_history_of_Macedonia

1900-2000

1923 http://en.wikipedia.org/wiki/File:Distribution_of_Races_on_the_Balkans_in_1923.jpg

1922 http://en.wikipedia.org/wiki/File:Distribution_of_Races_on_the_Balkans_in_1922_Hammond.png

1918 http://en.wikipedia.org/wiki/File:Hellenism_in_the_Near_East_1918.jpg
1918 http://en.wikipedia.org/wiki/File:Distribution_Of_Races_1918_National_Geographic.jpg
1918
http://en.wikipedia.org/wiki/File:Carte_ethnographique_de_l%27Europe_centrale_et_des_%C3%A9tats_Balkaniques_-_La_Science_et_la_Vie_1918,_P.jpg
1914 http://en.wikipedia.org/wiki/File:Balkan_dialects_belic_1914.jpg
N/A http://en.wikipedia.org/wiki/Demographics_of_Kosovo
N/A <http://en.wikipedia.org/wiki/File:Balkans-ethnique.JPG>
1914
http://upload.wikimedia.org/wikipedia/commons/4/4e/Proportions_des_populations_en_Asie_Mineure_statistique_officielle_d1914.png
1911 <http://en.wikipedia.org/wiki/File:Ethnicturkey1911.jpg>

Serbian point of view

http://en.wikipedia.org/wiki/File:Macedonia_-_Point_of_View_of_the_Serbs.jpg
http://en.wikipedia.org/wiki/File:Carte_ethnographique_de_la_P%C3%A9ninsule_des_Balkans.jpg

>1900

1878 http://en.wikipedia.org/wiki/File:Sanstefanska_Bulgaria.png
1877 http://en.wikipedia.org/wiki/File:Edward_Stanford_1877.jpg
1877 [http://en.wikipedia.org/wiki/File:Balkans-ethnic_\(1877\).jpg](http://en.wikipedia.org/wiki/File:Balkans-ethnic_(1877).jpg)
1876 http://en.wikipedia.org/wiki/File:Constantinople_conference.png
1870 http://en.wikipedia.org/wiki/File:Ethnographic_Map_of_Turkey_in_Europe.jpg
1870 <http://en.wikipedia.org/wiki/File:Bulgarian-Exarchate-1870-1913.jpg>
1869 <http://en.wikipedia.org/wiki/File:Slaven.jpg>
1867 <http://en.wikipedia.org/wiki/File:RizMap22.jpg>
1861 [http://en.wikipedia.org/wiki/File:Balkans-ethnic_\(1861\).jpg](http://en.wikipedia.org/wiki/File:Balkans-ethnic_(1861).jpg)
1847 http://en.wikipedia.org/wiki/File:Ethnographic_map_Ami_Boue_1847.jpg

1683-1699 - Habsburg-Ottoman War

http://en.wikipedia.org/wiki/Ottoman%E2%80%93Habsburg_wars
<http://www.zum.de/whkmla/military/17cen/habsbott16831699.html>

1648 Europe http://upload.wikimedia.org/wikipedia/commons/d/d0/Europe_map_1648.PNG
1300 http://en.wikipedia.org/wiki/File:Aftermath_of_Manzikert.PNG
1250 <http://en.wikipedia.org/wiki/File:1250.PNG>
1180 http://en.wikipedia.org/wiki/File:Byzantium1170lightpurple_%2B_seljuks.PNG
1173 <http://en.wikipedia.org/wiki/File:Byzantium1173.JPG>

1095 - Crusades start (defensive Christian campaigns)

1071

Battle of Manzikert http://en.wikipedia.org/wiki/Battle_of_Manzikert
Decisive Byzantine defeat

1045 http://en.wikipedia.org/wiki/File:Byzantine_Macedonia_1045CE.svg

Byzantine Greeks/Byzantine Seljuk Wars/Turkic people

http://en.wikipedia.org/wiki/Byzantine_Greeks
http://en.wikipedia.org/wiki/Byzantine%E2%80%93Seljuk_Wars
http://en.wikipedia.org/wiki/Turkic_people

Material to study:

1. Congress of Berlin (with demographic maps)

http://en.wikipedia.org/wiki/Congress_of_berlin

2. Treaty of San Stefano

http://en.wikipedia.org/wiki/Treaty_of_San_Stefano

3. Treaty of Sevres

http://en.wikipedia.org/wiki/Treaty_of_sevres

[http://en.wikipedia.org/wiki/File:TreatyOfSevres_\(corrected\).PNG](http://en.wikipedia.org/wiki/File:TreatyOfSevres_(corrected).PNG)

4. Greek territorial claims Anatolia

<http://en.wikipedia.org/wiki/File:ParisPeace-Venizelos-Map.png>

http://en.wikipedia.org/wiki/Paris_Peace_Conference,_1919

5. Armenian territorial claims

http://en.wikipedia.org/wiki/File:Proposed_Armenian_state_in_Asia_Minor.png

http://en.wikipedia.org/wiki/Paris_Peace_Conference,_1919

6. Greco-Turkish War (1919-1922)

[http://en.wikipedia.org/wiki/Greco-Turkish_War_\(1919%E2%80%931922\)](http://en.wikipedia.org/wiki/Greco-Turkish_War_(1919%E2%80%931922))

Islamic demography

World Muslim distribution

<http://upload.wikimedia.org/wikipedia/en/9/9c/MuslimDistribution2.jpg>

http://en.wikipedia.org/wiki/Islamic_world

Map of Global conflicts (80%+ involve Islam)

http://en.wikipedia.org/wiki/File:Map_of_sites_of_ongoing_armed_conflicts_worldwide.png

Demography in the Middle East

Lebanon demographical development – (Christian/Muslim pop)[1]:

1911 - 21% Islam

1921 - 45%

1932 - 49%

1943 - 48%

1970 - 58% (Civil war 1975–1990 started when Islam reached 60%)

1990 - 65% (Christians lost the war)

2008 - 75%

2030 - 90%? (Lebanon lost - Successful Jihad)

Source:

1. Tomass Mark, Game theory with instrumentally irrational players: A Case Study of Civil War and Sectarian Cleansing, Journal of Economic Issues, Lincoln; June 1997.

Bethlehem

Source 1

1948 85% Christians[1]

2006 12% Christians[1]

Source 2

1948 - 60% Christians[2]

1983 - 20% Christians[2]

I have been unable to verify which of the sources (1 or 2 is correct). In any case, it shows exactly how the Christian people have been demographically annihilated. There are reports of religious persecution, in the form of murders, beatings and land grabs. This happens while European tax money is used to fund the Palestinian Authority, which again means that while European countries and EU authorities are warning against "Islamophobia," they are indirectly funding the ethnic cleansing of Christians in the Middle East.

Jerusalem[3]

1946 - 60% Christians

2006 - 2% Christians

The same applies in other parts of Israel. A report from the Galilee village of Turan quotes a Christian store owner: "Most Christians will leave as soon as we can sell our houses and shops. We can't live among these people [Muslims] anymore." One journalist concludes that "The Christian community in the West Bank is close to extinction.

At the present rate, the Middle East's 12 million Christians will likely drop to 6 million in the year 2020.

Source:

1. http://littlegreenfootballs.com/weblog/?entry=23696_Christmas_Disappears_from_Bethlehem&only

2. <http://www.danielpipes.org/1050/disappearing-christians-in-the-middle-east>

3. <http://www.danielpipes.org/1050/disappearing-christians-in-the-middle-east>

Anatolia (Turkey)

Anatolia's bloody history is dominated by ethnic cleansing/forceful conversions of Christian Armenians/Greeks by their Muslim Seljuk masters.

1300 – 99% Christians

1450 – 90% (3 years before the fall of Constantinople)

1600 – 55%

1850 – 35% (Genocide/forceful conversions intensifies)

1900 – 20%

1920 – 15%

1945 – 6% (Focus shifts to persecution of Muslim Kurds)

1980 – 3%

2009 – 1%

1. <http://home.att.net/~dimostenis/greektr.html>

2. See all sources from Historic Balkan and Anatolia demographics

Syria [1]

1920 – 33% Christians

2007 – 10% (would be less than 5% if it weren't for Christian immigration from Iraq).

Note that Syria/Damascus used to be Christian.

1. http://en.wikipedia.org/wiki/File:Mandate_of_Syria.png

2. <http://en.wikipedia.org/wiki/Syria>

Pakistan (Hindu/Muslim population) [1]

1941 – 25% Hindus

1948 – 17%

1991 – 1,5%

2007 – 1%

Bangladesh (Hindu/Muslim population) [1]

1941 – 30% Hindus

1948 – 25%

1971 – 15%

1991 – 10%

2007 – 8%

Source:

1. <http://hrcbmdfw.org/blogs/bangladesh/archive/2007/07/13/722.aspx>

India [2]

Year	Hindus/Sikhs	Muslims	Christians/others
1947	94%	5%	1%
1978	85%	14%	1,5%
2008	75%	23%	2%
2038	50%	47%	3%
2068	38%	58%	4%

In India as in Europe, the Global Islamic Ummah is continuing the ongoing demographic warfare and is seemingly successful. The India elites, just like European elites, are aiding and abetting the Muslim conquest by way of appeasement. If the development in India is allowed to continue and our Hindu Nationalist brothers do not rise up soon we will see a Muslim majority in India in 2035-2040.

For future reference; by Hindus we mean the Four Arms of the Dharma:- mainstream Hindus, Sikhs, Buddhists and Jains. This is an unknown definition/concept to most Europeans; Sikhs are considered as a warrior sect of Sanatana Dharma. To a majority of Hindus; Sikhs, Buddhists and Jains are not a part of the minority but rather an integral part of Sanatana Dharma. However, anti-Dharmic, secularists and foreign media are bent upon separating each one into a separate religion. The British colonialists were the first

who started to separate the four branches in order to play "divide and conquer" in which they succeeded.

Source:

1. <http://www.sanghparivar.org/forum/when-muslims-will-become-absolute-majority-in-india-india-will-be-declared-islamic-country-if-> By Saugato Banerjee

Pakistan's demographical explosion[1]

1951 - 33,816,000 - 17.80%
1961 - 42,978,000 - 22.46%
1972 - 65,321,000 - 25.40%
1981 - 84,254,000 - 28.28%
1998 - 130,580,000 - 32.51%
2008 - 172,800,000 - 32.34%

From 33 million to 172 million in only 60 years! This is the population explosion you end up with if you allow an immigrant birth rate (fertility rate) of only **3,58** which was the 2008 estimate in Pakistan[1]. Obviously, this "official" fertility rate has been falsified and is much higher.

1. http://en.wikipedia.org/wiki/Demographics_of_Pakistan

Middle East - Jewish/Christian demographic overview from peak - 600AD

I have been unable to find any demographic overviews illustrating Jewish/Christian numbers from year 600 AD in the Middle East (Peak numbers before Islam was established). So the following numbers are estimates created on the basis of available historical sources. It shows an estimate which tells us a lot about how Islamic imperialism caused (and still causes today) historical demographic decline in percentages of Jews and Christians in specific Middle Eastern territories.

We have managed to document several hundred Jihadi genocides against Jews and Christians, and thousands of pogroms/forced conversion campaigns but we never see the big picture through a concise historical demographic overview. I haven't seen any solid demographic curve which can easier illustrate how Jihad and dhimmitude has caused this downward spiral. Therefore, it is our responsibility to continue to develop, make adjustments to any possible errors and find more sources which can confirm the existing estimates. F example to create a demographic curve showing: year 600, 1000, 1500, 2000). By showing people the "big picture" they will realize the future results of the ongoing Islamisation in Western Europe and the psychopathic nature of the so called "Palestinian claim" of victimhood and people will begin to understand what Islam and Jihad really is. Demographical research is necessary in order to explain to people why mass deportation of Muslims is the only viable alternative.

Year 600 AD - Demographic overview in the Middle East, estimate

Morocco, Algeria, Tunisia, Algeria - Christians 50%, Jews 10%, other 40%
Egypt - Christians 60%, Jews 20%, other 20%
Syria - Christians 80%, Jews 10%, Zoroastrians 10%
Jordan - Christians 70%, Jews 20%, Zoroastrians 10%

Iran (Persia) - Zoroastrians 80%, Christians 10%, other 10%
Iraq - Christians 50%, Jews 20%, Zoroastrians 30%
Saudi Arabia - Jews 30%, Christians 10%, Arabic paganism 60%
Yemen - Jews 30%, Christians 20%, Arabic paganism 50%
Oman - Jews 10%, Christians 20%, Arabic paganism 70%
Anatolia (Byzantine) - Christian 95%, Jews 5%
Armenia - Christian 95%, Jews 5%

African population explosion

Estimated population in Africa:

1982 - 500 000 000
2009 - 1 000 000 000
2030 - 1 500 000 000
2050 - 2 000 000 000

This population explosion is facilitated by Europe and the US through the myriad of aid programs. A great number of these new born individuals have no hope and many end up attempting to flee to Europe.

Statistics

2.53 Statistics and the Islamisation of Europe

General statistics

- 65-70% of converts to Islam in Europe are females[1].
- More civilians were killed by Muslim extremists in two hours on September 11th than in the 36 years of sectarian conflict in Northern Ireland[2].
- More people are killed by Islamists each year than in all 350 years of the Spanish Inquisition combined[3].
- Islamic terrorists murder more people everyday than the Ku Klux Klan has in the last 50 years[4].
- EU: 50% of anti-Semitic incidents connected to radical Islam[5]

Worldwide statistics [7]

65,2% of Muslims wants: "To unify all Islamic countries into a single Islamic state or Caliphate"

65,5% of Muslims wants: "To require a strict application of Sharia law in every Islamic country"

Mainstream Muslims from Morocco to Indonesia therefore share with their co-religionists from al-Qaeda the goal (if not necessarily supporting the gruesome means) of re-establishing an Islamic Caliphate. Polling data released (April 24, 2007) in a rigorously conducted face-to-face University of Maryland/ WorldPublicOpinion.org interview survey of 4384 Muslims conducted between December 9, 2006 and February 15, 2007:

1000 Moroccans
1000 Egyptians
1243 Pakistanis
1141 Indonesians

- reveal that **65.2%** of those interviewed-**almost 2/3**, hardly a "fringe minority"-desired this outcome (i.e., "To unify all Islamic countries into a single Islamic state or Caliphate"), including 49% of "moderate" Indonesian Muslims. The internal validity of these data about the present longing for a Caliphate is strongly suggested by a concordant result:

65.5% of this Muslim sample approved the proposition "To require a **strict** [My emphasis] application of Shari'a law in every Islamic country."

Notwithstanding a historical drivel from Western Muslim "advocacy" groups such as the Muslim Association of Britain, which lionises both the Caliphate and the concomitant institution of Shari'a as promulgators of "a peaceful and just society", the findings from the University of Maryland/ WorldPublicOpinion.org poll are ominous.

Sources:

1. <http://www.facebook.com/ext/share.php?sid=60527748839&h=IpIyS&u=9E17E&ref=nf>
2. <http://cain.ulst.ac.uk/issues/violence/death95w.htm>
3. http://en.wikipedia.org/wiki/Spanish_Inquisition
4. <http://www.law.umkc.edu/faculty/projects/ftrials/shipp/lynchingyear.html>
5. <http://www.jpost.com/servlet/Satellite?cid=1201867280106&pagename=JPost%2FJPArticle%2FShowFull>
6. <http://www.worldpublicopinion.org/pipa/articles/brasiapacificra/440.php?nid=&id=&pnt=440>
7. University of Maryland/ WorldPublicOpinion.org

US

Gallup Poll '07: 82% of Americans identify with Christianity.

A recent poll sponsored by the Chicago CFR and the German Marshall Fund of the US: 79 percent of Americans favoured keeping Muslims out.

Pew Research Poll 9-25: "Americans' attitudes about Muslims are more negative now than in years past." 35% of us have negative views about the smiley-face Muslims.

Russia

A recent poll: 62% of Russian youth want to deport immigrants (Muslims): "But if they stay they must obey Russian laws and customs."

France

2007 - A report by France's domestic intelligence agency, published by Le Figaro, estimated last year that there were 30,000 to 50,000 converts in France.

The conversion to Islam of fragile individuals undoubtedly leads to the risk of diversion to terrorism," the intelligence agency's report said, adding that radical groups have recruited converts because they could cross borders easily or serve as front men for renting accommodations or providing other logistical support.

The new recruits could provide foreign-born Islamic militants with invisibility and cover, by escaping the scrutiny often reserved for young men of Arab descent.

In an interview, one French antiterrorism official said many recent converts were women, further complicating the standard profile.

Militant converts come to Islam in several ways, most notably through contact with militant Muslims while serving time in Europe's prisons, where the Islamic population has skyrocketed. Richard Reid, the so-called shoe bomber from Britain, converted to Islam in prison.

Source: <http://www.religionnewsblog.com/7916>

Ireland

70% increase in the Muslim population between 2002-2006 according to Irelands Central Statistics Office (CSO)

Netherlands

- In the Netherlands, 63 per cent of respondents thought Islam was incompatible with modern European life[1].

- Rotterdam - Nationalism markedly increased among ethnic Dutch youth. In 1999 10% said they were willing to defend Dutch identity if it was being crushed. In 2006 the percentage tripled.[2]

- In 1999, 40% of Moroccan youth strictly followed the rules of Islam, seven years later that grew to 60%. A similar movement is presented when it comes to adaptation. In 1999, a quarter of Moroccans thought they don't need to adapt, and now that went up to 40%. [2]

Sources:

1. <http://www.frontpagemag.com/Articles/Read.aspx?GUID=8B99760A-E931-4EE8-8AC7-EB047E8A67B8>
2. http://www.ad.nl/rotterdam/stad/2170149/Eens_eeen_allochtoon_altijd_eeen_allochtoon.html

Sweden

Opinion polls have revealed that two out of three Swedes doubt whether Islam can be combined with Swedish society[1].

1. <http://www.frontpagemag.com/Articles/Read.aspx?GUID=8B99760A-E931-4EE8-8AC7-EB047E8A67B8>

Germany

Sunni Muslims living in Germany are religious to an above-average degree; 92 percent identify themselves as being religious. Among Shiites in Germany, that number lies at 90 percent, and it is 77 percent for members of the Alevite community[1].

According to a study commissioned by the Frankfurter Allgemeine Zeitung newspaper, 56 percent of Germans said they believed a "clash of cultures" already existed. 71 percent said they believed Islam to be "intolerant," some 91 per cent said they associated Islam with oppression of women. Asked if there should be a ban on the building of mosques in Germany as long as the building of churches in some Islamic states is forbidden, 56 per cent agreed. There was even considerable backing for ending Germany's constitutional right of freedom of religion with regard to Islam. Asked if strict limits should be imposed on the practice of Islam in Germany to protect the country, 40 per cent said they would support such moves[2].

Polls: 59-70 support the statement; "There are too many immigrants in Germany"[3].

Sources:

1. <http://islamineurope.blogspot.com/search?q=percentages+of+Muslims>
2. <http://www.frontpagemag.com/Articles/Read.aspx?GUID=8B99760A-E931-4EE8-8AC7-EB047E8A67B8>
3. 59%: Financial Times/Harris Interactive, 19. februar 2007. 70%: Die Zeit, 8. mai 2008

UK Statistics

Poll: Almost 25% of British Muslims say the July 7 attacks can be justified[1]

Almost a quarter of British Muslims say the July 7 attacks, the atrocity which claimed 52 innocent lives can be justified because of the Government's support for the 'war on terror'.

Poll: 33% of Muslims said they disapprove of the freedoms allowed in this country (the UK) they would rather live under Sharia law[2].

Poll: 33% of Muslims said they also dream Britain will one day become an Islamic state[1].

Poll: Some 40% say Britain is a country of bad moral behaviour, while 66 per cent say British parents allow their children too much freedom. A total of 44 per cent would rather send their children to a state funded Muslim school[1].

- 86% of UK muslims consider "my religion to be the most important thing in my life [3].
- 37% of muslims aged 16-24 say: we would prefer to live in the UK under Shariah law [3].
- 74% of muslims aged 16-24 say: we would prefer muslim women in the UK to wear the hijab [3].
- 13% of muslims aged 16-24 say: we admire Al Qaeda and understand the motives of the London bombers [3].

In a British poll from January 2007, a massive 82% disagreed (57% strongly) as to whether the government was in control of immigration. When asked if the government was "open and honest" about the scale of immigration into Britain, 80% disagreed[4].

80% of the Muslim children in Bradford, UK attends Quran school after regular school hours [5].

50% of Muslim individuals in Bradford, UK fetches a husband/wife from the country of origin via family re-unification arrangements. This has a "reversing" effect on integration. [6].

- 2009 [7]: 81% of the public are worried about the prospect of the population reaching 70million in 2028, as predicted by Whitehall statisticians. It is currently 61million.
- 78% say Alan Johnson is out of touch with people like them.
- 76% want to see net immigration - the number of migrants entering the country minus the number leaving - cut from its present level of 237,000 a year to 50,000 or less.
- Of that 76%, 32% want to see a policy of 'one in, one out' while 22% want to see no immigration at all.
- 64% of adults believe 'laws on immigration should be much tougher'.
- 9% said immigration should be halted completely.
- 7% favoured more relaxed immigration policies.
- 69% described immigration as either a 'big problem' or a 'very big problem'.

In a British poll from February 2010, a massive 70% shows their discontent with multiculturalism and Islamisation:

3 out of 5 Brits believe that the UK has become a broken country due to multiculturalism.

Voters are deeply pessimistic about the state of Britain today, believing that society is broken and heading in the wrong direction, a Populus poll for *The Times* has found.

Nearly three fifths of voters say that they hardly recognise the country they are living in, while 42 per cent say they would emigrate if they could.

It suggests that 70 per cent believe that society is now broken, echoing a Conservative campaign theme of the past two years, while 68 per cent say people who play by the rules get a raw deal and 82 per cent think it is time for a change.[8]

Sources:

1. <http://www.religionnewsblog.com/15540/almost-a-quarter-of-muslims-believe-77-was-justified>
2. <http://www.apologeticsindex.org/s40.html>
3. Policy Exchange Poll
4. <http://www.migrationwatchuk.org/pressreleases/pressreleases.asp?dt=30-January-2007>
5. <http://www.aftenposten.no/nyheter/uriks/article3131587.ece#chNum=1>
6. Aftenposten, Oslo, Printed Edition, June 21st 2008
7. The Migrationwatch poll, conducted by ORB - Read more: <http://www.dailymail.co.uk/news/article-1201471/Four-Britons-want-immigration-capped-poll-shows.html#ixzz0M4N1wyOO>
8. <http://www.timesonline.co.uk/tol/news/politics/article7020009.ece?&EMC-Bltn=CDNGQ2F>

Pakistani statistics

- Pakistani Troops Pursuing al-Qaeda (Poll: Oct 2007)[1]

Do you favour or oppose the Pakistani army entering federally administered tribal areas to pursue and capture al-Qaeda fighters?

Support: 44% vs. Oppose: 36%

These attitudes reflect Pakistani sympathy for Islamist goals. A substantial **60 percent**[My emphasis] majority believes that "Shari'a should play a larger role in Pakistan law" than it does now. [1]

- Foreign Troops Pursuing al-Qaeda (Poll: Oct 2007)[1]

Do you think the Pakistan government should or should not allow American or other foreign troops to enter Pakistan to pursue and capture al-Qaeda fighters?

Support: 5% vs. Oppose: 80%

- **Government by Islamic Principles** (Poll: Jan 2008)[2]

How important is it for you to live in a country that is governed according to Islamic principles?

9 (0 = Not at all 10 = Absolutely)

- And how much do you think Pakistan is governed according to Islamic principles?

4,6 (0 = Not at all 10 = Absolutely)

So is the Pakistani public divided about the US? Apparently not. Overall about two-thirds (64%) do not trust the United States "to act responsibly in the world." Only 27 percent feel that the cooperation between Pakistan and the United States on security and military matters has benefited Pakistan. Most striking, 72 percent believe the U.S. military presence in Asia is a critical threat to Pakistan.

Iranian statistics[3]

Military and financial assistance to Hezbollah, Hamas, Islamic Jihad

Iranians by nearly two-to-one approve their government providing "military and financial assistance" to each of three militant terrorist groups in the region:

"Lebanese Hezbollah" (Support: 61% vs. Oppose 32%)

"Hamas and Islamic Jihad" (Support: 61% vs. Oppose 32%)

Should Iran create nuclear weapons?

Support: 51% vs. Oppose 39%)

Sources:

1. <http://www.worldpublicopinion.org/pipa/articles/brasiapacificra/424.php?nid=&id=&pnt=424>
2. <http://www.worldpublicopinion.org/pipa/articles/brasiapacificra/440.php?nid=&id=&pnt=440>
3. <http://www.worldpublicopinion.org>

Muslim population in European prisons[11]

Estimating the percentages of Muslims in prisons across Europe is not simple. In some cases, such as Sweden, collecting such data is illegal. In many cases, the numbers are only estimates.

I linked to some sources, but note that not all sources have the same reliability level. EUMAP - EU Research program[1], NEWS - mentioned in the news.

Belgium - 16% (12.8% Moroccans, 3.1% Turks) [2], 35% [3]

(The real numbers are most likely 30-60%)

Denmark - 20% [4] (The real numbers are most likely 30-60%)

England+Wales - 11% [5] (The real numbers are most likely 30-60%)

France - 50%-70% [6]

Germany - 18% foreigners, lowest estimate for Muslims - 5% [7] (The real numbers are most likely 30-60%)

Italy - 40% foreigners, 8% Moroccans [8] (The real numbers are most likely 30-60%)

The Netherlands: 20%, youth prisons - 26% [9] (The real numbers are most likely 30-60%)

Spain - 70% [10]

Norway - 40%+ [12] (The real numbers are most likely 40-60%)

Sources:

1. http://www.eumap.org/topics/minority/reports/eumuslims/background_reports
2. http://www.eumap.org/topics/minority/reports/eumuslims/background_reports
3. http://www.khaleejtimes.com/DisplayArticleNew.asp?col=§ion=opinion&xfile=data/opinion/2008/July/opinion_July61.xml
4. <http://www.kristeligt-dagblad.dk/artikel/279141:Danmark--Flertal-vil-kontrollere-faengselsimamer>
5. <http://www2.irna.ir/en/news/view/menu-234/0803293141182551.htm>
6. <http://www.msnbc.msn.com/id/13733782/>
<http://www.nytimes.com/2004/12/08/international/europe/08prisons.html>
<http://www.washingtonpost.com/wp-dyn/content/article/2008/04/28/AR2008042802560.html>
7. http://www.eumap.org/topics/minority/reports/eumuslims/background_reports
8. <http://www.adnkronos.com/AKI/English/CultureAndMedia/?id=1.0.2114309116>
9. http://www.eumap.org/topics/minority/reports/eumuslims/background_reports
10. <http://www.dicd.gov.ae/vEnglish/detailnewspage.jsp?articleID=6387&newsType=4&pageFlag=0>
11. <http://islamineurope.blogspot.com/2008/02/muslim-population-in-european-prisons.html>
12. <http://www.idag.no/aktuelt-oppslag.php3?ID=4045>

Muhammad is the most popular name in many European cities/countries for new born males

- Italy, Milan[1]
- Sweden, Malmö[2]
- Norway, Oslo[3]
- Belgium, Brussels[4]
- UK (whole country)
- Marseilles
- Amsterdam
- Stockholm

Variations of Muhammad:

Mohammed	Mohmmed
Muhammed	Mohamud
Mohammad	Mohammud
Muhammad	<i>Mehmed</i>
Mohamed	<i>Mehmet (Turkish)</i>
Mohamad	<i>Mahomet</i>
Muhamad	<i>Mahoma (Spanish)</i>
Mahamed	<i>Maxamed</i>
Mahommed	<i>Mahmud</i>
Mahammed	<i>Ahmed</i>
Mohammad	<i>Hamid</i>
Muhammod	<i>al-Hamid</i>

Names in *italic* are variations of Muhammad but are not usually included by EU governments.

Sources:

1. <http://islamineurope.blogspot.com/2008/05/milan-arab-names-most-common-baby-names.html>
2. <http://sydsvenskan.se/malmo/article305235.ece>
3. <http://islamineurope.blogspot.com/2008/01/oslo-muhammad-most-popular-boys-name.html> -
<http://www.ssb.no/vis/navn/art-2008-01-28-01.html> -
<http://pub.tv2.no/nettavisen/innenriks/ioslo/article1564558.ece>
4. <http://www.lefigaro.fr/international/2008/03/21/01003-20080321ARTFIG00068-l-islam-premiere-religiona-bruxelles-dans-vingt-ans.php> <http://islamineurope.blogspot.com/2008/03/brussels-possible-muslim-majority-in-15.html>

Europe today

"We can evade reality, but we cannot evade the consequences of evading reality."

Ayn Rand

"The root of Europe's problems is the lack of cultural self-confidence (nationalism). Most people are still terrified of nationalistic political doctrines thinking that if we ever embrace these principles again, new "Hitler's" will suddenly pop up and initiate global armageddon. Needless to say; the growing numbers of nationalists in Europe are systematically being ridiculed, silenced and persecuted by the current cultural Marxist/multiculturalist political establishments.

This irrational fear of nationalistic doctrines is preventing us from stopping our own national/cultural suicide as the hordes of Islam is increasing annually."

2.54 Europe's Decline – Hurrah! We Capitulate!

By Fjordman

This story is extremely serious. The European Union is now about to do what senior officials have already agreed upon years ago in meetings with Muslim nations, as documented by Bat Ye'or in her book about Eurabia[1]: To officially recognise sharia law[2] in European countries:

A quote from the Gates of Vienna blog, 16 September 2008[3]

Muslims living in EU countries will in the future be able to divorce according to sharia law. This is the belief of the EU Commission, which recommends that a couple be able to choose which country's law they will follow if they divorce — as long as they have some kind of connection to the country they choose. Because of Danish opt-out provisions, the EU regulation will not have a direct impact on Denmark. But Danish People's Party EU spokesman Morten Messerschmidt is still greatly concerned about the proposal: "It's a completely lamebrain idea, the possibility that the Commission will use inhumane sharia laws in the EU," he says to MetroXpress.

A quote from Serge Trifkovic at the Chronicles Magazine blog, 16 September 2008[4]

British papers are reporting that shari'a law has been officially adopted in Britain[5], with shari'a courts given powers to rule on Muslim civil cases, notably including wife beating. Gordon Brown's Labour government "has quietly sanctioned the powers for sharia judges to rule on cases ranging from divorce and financial disputes to those involving domestic violence." Particularly alarming is the fact that Islamic rulings are now enforceable with the full power of the judicial system, through the county courts or High Court. [...]

Contrary to the Christian concept of governmental legitimacy (Romans 13:1), Islam condemns as rebellion against Allah's supremacy the submission to any other form of law (Kuran, 5:50). Muslims believe that Shari'a should be used as a standard test of validity of all positive laws. Christ recognised the realm of human government as legitimate when he said, "Render therefore to Caesar the things that are Caesar's, and to God the things that are God's" (Matthew 22:21). In Islam there is no such distinction between church and

state. Shari'a is not at all a "religious law" but a blend of political theory and penal law that relies for the punishment of violators on the sword of the state. To be legitimate, all political and legal power must rest with those who obey Allah's authority and his revealed will sent down through his prophet (Kuran 5:59). Shari'a applies to all humankind just as Kuran applies to all creation. Any law that is inconsistent with it is null and void, not only to the Muslims, but to all humanity. Jews, Christians, and pagans are subject to Shari'a, too, and from Muhammad's standpoint they cannot invoke the judgments and moral principles of prior revelations (4:60). Resort to any other source of authority is not only unjustified, it is satanic. The non-Muslims are to be judged by the laws of Islam in everything, "whether they like it or not, whether they come to us or not." Shari'a stands above reason, conscience, or nature. Its lack of any pretense to moral basis is explicit: there is no "spirit of the law" in Islam, no discernment of the consequences of deeds. The revelation and tradition must not be questioned or any other standard of judgment – least of all any notion of "natural" justice inherent to men as such – can be invoked, let alone applied (5:45).

Source:

<http://www.brusselsjournal.com/node/3525>

1. http://gatesofvienna.blogspot.com/2006/10/eurabia-code_19.html
2. <http://www.brusselsjournal.com/node/3522>
3. <http://gatesofvienna.blogspot.com/2008/09/will-eu-recognize-sharia-divorce.html>
4. <http://www.chroniclesmagazine.org/?p=731>
5. <http://www.brusselsjournal.com/node/3522>

2.55 Jihad Destroys the Swedish Model

By Fjordman

I decided to write this essay following the riots in Malmö[1] this weekend. Malmö is Sweden's third largest city and by far the worst city in Scandinavia when it comes to Muslim aggression. I read recently that an *Arab girl interviewed in Malmö*[2] said that she liked it so much there, it felt almost like an Arab city. Native Swedes have been moving away from the city for years, turned into refugees in their own country by Jihad, not too different from the non-Muslims in some regions of the Philippines, southern Thailand or Kashmir in India, or for that matter Christian Serbs in Kosovo.

Sweden was presented during the Cold War as a middle way between capitalism and Communism. When this model of a society collapses -- and it will collapse, under the combined forces of Islamic Jihad, the European Union, multiculturalism and ideological overstretch -- it is thus not just the Swedish state that will collapse but the symbol of Sweden, the showcase of an entire ideological world view. *I wrote two years ago*[3] that if the trend isn't stopped, the Swedish nation will simply cease to exist in any meaningful way during the first half of this century. The country that gave us Bergman, ABBA and Volvo could become known as the Bosnia of northern Europe, and the "Swedish model" will be one of warning against ideological madness, not one of admiration. I still fear I was right in that assessment.

Jonathan Friedman[4], an American living outside Malmö, mentions that the so-called Integration Act of 1997 proclaimed that "Sweden is a Multicultural society." Notes to the Act also stated that "Since a large group of people have their origins in another country, the Swedish population lacks a common history. The relationship to Sweden and the support given to the fundamental values of society thus carry greater significance for integration than a common historical origin."

Native Swedes have thus been reduced to just another ethnic group in Sweden, with no more claim to the country than the Kurds or the Somalis who arrived there last Thursday. The political authorities of the country have erased their own people's history and culture.

Jens Orback, Minister for Democracy, Metropolitan Affairs, Integration and Gender Equality from the Social Democratic Party said during a debate in Swedish radio in 2004 that "We must be open and tolerant towards Islam and Muslims because when we become a minority, they will be so towards us."

This is a government that knows perfectly well that their people will become a minority in their own country, yet is doing nothing to stop this. On the contrary. Pierre Schori, Minister for immigration, during a parliamentary debate in 1997 said that: "Racism and xenophobia should be banned and chased [away]," and that one should not accept "excuses, such as that there were flaws in the immigration and refugee policies."

In other words: It should be viewed as a crime for the native population not to assist in wiping themselves out.

Orback's attitude is what follows once you declare that culture is irrelevant. Our culture, even though we try to forget it, is steeped in a Judeo-Christian morality based on the Golden Rule of reciprocity: "Do unto others as you would have them do unto you." (Luke 6:31)

Muslims, on the other hand, are steeped in an Islamic tradition based on Muslim supremacy. Muslims view lack of force as a sign of weakness, and they despise weakness, which is precisely why Adolf Hitler stated his admiration for Islam, and thought it would be a better match for Nazism than Christianity, with its childish notions of compassion.

A Swedish man was nearly killed for the crime of wearing clothes with his own national flag while Sweden was participating in the 2006 football World Cup. Some "Multicultural youths" found this to be an intolerable provocation, and the 24-year-old man was run down by a car in Malmö, where Muhammad is becoming the most common name for newborn boys.

Feriz and Pajtim, members of Gangsta Albanian Thug Unit in Malmö, explain how they mug people downtown. They target a lone victim. "We surround him and beat and kick him until he no longer fights back," Feriz said. "You are always many more people than your victims. Cowardly?" "I have heard that from many, but I disagree. The whole point is that they're not supposed to have a chance." They didn't express any sympathy for their victims. "If they get injured, they just have themselves to blame for being weak," said Pajtim and shrugged.

The wave of robberies the city of Malmö has witnessed is part of a "*war against the Swedes*[5]." This is the explanation given by young robbers from immigrant background in interviews with Petra Åkesson. "When we are in the city and robbing we are waging a war, waging a war against the Swedes." This argument was repeated several times. "Power for me means that the Swedes shall look at me, lie down on the ground and kiss my feet." The boys explain, laughingly, that "there is a thrilling sensation in your body when you're robbing, you feel satisfied and happy, it feels as if you've succeeded, it simply feels good." "We rob every single day, as often as we want to, whenever we want to. The Swedes don't do anything, they just give us the stuff. They're so wimpy."

"Exit Folkhemssverige - En samhällsmodellens sönderfall" (Exit the People's Home of Sweden - The Downfall of a Model of Society) is a book from 2005 about immigration and the Swedish welfare state model dubbed "the people's home," written by Jonathan

Friedman, Ingrid Björkman, Jan Elfverson and Åke Wedin. According to them, the Swedish Multicultural elites see themselves first of all as citizens of the world. In order to emphasise and accentuate diversity, everything Swedish is deliberately disparaged. Opposition to this policy is considered a form of racism:

"The dominant ideology in Sweden, which has been made dominant by powerful methods of silencing and repression, is a totalitarian ideology, where the elites oppose the national aspect of the nation state. The problem is that the ethnic group that are described as Swedes implicitly are considered to be nationalists, and thereby are viewed as racists."

The authors fear that the handling of the immigration policies has seriously eroded democracy because the citizens lose their loyalty towards a state they no longer consider their own. "Instead of increasing the active participation of citizens, the government has placed clear restrictions on freedom of thought, freedom of speech and freedom of congregation."

Mona Sahlin[6] has held various posts in Social Democratic cabinets, among others as Minister for Democracy, Integration and Gender Equality. Sahlin has said that many Swedes are envious of immigrants because they, unlike the Swedes, have a culture, a history, something which ties them together. Notice how Swedish authorities first formally state that Swedes don't have a history or a culture, and then proceed to lament the fact that Swedes don't have a history or a culture. A neat trick.

Sahlin has also stated that: "If two equally qualified persons apply for a job at a workplace with few immigrants, the one called Muhammad should get the job. It should be considered an asset to have an ethnic background different from the Swedish one." In 2004, *she was quoted as saying*[7] that "A concerted effort that aims at educating Swedes that immigrants are a blessing to their country must be pursued," stressing that her compatriots must accept that the new society is Multicultural. "Like it or not, this is the new Sweden."

Mona Sahlin was elected leader of the Social Democratic Party, as thus a future contender for the post of Swedish Prime Minister, in 2007.

Why does the government dispense with the social contract and attack its own people like this? Well, for starters, because it can. Sweden is currently arguably the most politically repressive and totalitarian country in the Western world. It also has the highest tax rates. That could be a coincidence, but I'm not sure that it is. The state has become so large and powerful that it has become an autonomous organism with a will of its own. The people are there to serve the state, not vice versa. And because state power penetrates every single corner of society, including the media, there are no places left to mount a defence if the state decides to attack you.

It has been said jokingly that while other countries are states with armies, Pakistan is an army with a state. Likewise, it could be argued that Sweden started out being a nation with a bureaucracy and ended up being a bureaucracy with a nation. In fact, the bureaucracy formally abolished the very nation it was supposed to serve. Its representatives are no longer leaders of a people, but caretakers preoccupied only with advancing their own careers through oiling and upholding, if possible expanding, the bureaucratic machinery.

Swedes pay the highest tax rates of any (supposedly) free nation, and for this they get *flawed social security*[8], non-existent physical security and a state apparatus dedicated to their destruction.

Anna Ekelund[9] in the newspaper Aftonbladet writes that: "We are a people who allow ourselves to be insulted by the government on a daily basis. We are not expected to be

capable of thinking for ourselves, of deciding what we will read, or managing our own money. Swedes are as co-dependent as an alcoholic's wife. Yet we do not hurry to the ballot box to remove the prevailing systems. Not because we don't want to but because too many of us have painted ourselves into their corners."

Moreover, Swedes are keenly aware of the fact that their country is viewed by many outsiders as a "model society." Sweden is a deeply ideological state dedicated to imposing a certain world view on its citizens, and because the state is ideological, dissenters are quite literally treated as enemies of the state.

In the book *The New Totalitarians*[10], the British historian Roland Huntford in the early 1970s pointed out that *it was easier to establish the Fascist model* [11] of the corporate state in Sweden than in Mussolini's Italy for cultural reasons, since Sweden had a centralised bureaucracy whereas Italians are skeptical of state authority. Put simply: Swedes have tended to trust their bureaucrats, which no Italian in his right mind would ever do.

According to him, "The Swedes have a horror of controversy as something unpleasant, inefficient and vaguely immoral. They require for peace of mind, not confrontation, but consensus. Consensus guides everything: private conversation, intellectual life and the running of the State."

The then Minister of Education, *Mr. Ingvar Carlsson*[12], defined the purpose of schooling: "It is to produce a well adjusted, good member of society. It teaches people to respect the consensus, and not to sabotage it." He also on one occasion said that "School is the spearhead of Socialism." Mr. Carlsson was Swedish Prime Minister as late as 1996.

Mr. Carlsson's mentor in the Social Democratic Party and predecessor as Swedish Prime Minister (1969 to 1986), *Mr. Olof Palme*[13], openly flaunted his disregard, if not contempt for, Western civilisation: "The Renaissance so-called? Western culture? What does it mean to us?" Under the watchful eye of the Labour movement, Swedish education has for decades mounted deliberate attacks on Western culture, making it look suspect.

According to Mr. Huntford, "When the Swedes change ideas, they do it to the full, leaving no room for criticism or reservation. The country lacks intellectual defences; anything new will conquer without resistance being offered." The consensus "assumes that technological advancement is the sole path to happiness, and the Gross National Product the only measure of national success. It also assumes that the good of the collective at all times must take precedence over the good of the individual. It prescribes that the fundamentals of Swedish society must never be questioned or discussed."

This is how Mrs Maj Bossom-Nordboe, then departmental chief of at the Directorate of Schools, expressed it: "It's useless to build up individuality, because unless people learned to adapt themselves to society, they would be unhappy. Liberty is not emphasised. Instead, we talk about the freedom to give up freedom. The accent is on the social function of children, and I will not deny that we emphasise the collective."

Roland Huntford ended his book with a warning that *this system of soft-totalitarianism could be exported*[14] to other countries. He has been proven right since:

"The Swedes have demonstrated how present techniques can be applied in ideal conditions. Sweden is a control experiment on an isolated and sterilised subject. Pioneers in the new totalitarianism, the Swedes are a warning of what probably lies in store for the rest of us, unless we take care to resist control and centralisation, and unless we remember that politics are not to be delegated, but are the concern of the individual. The new totalitarians, dealing in persuasion and manipulation, must be more efficient than the old, who depended upon force."

Following the September 2006 elections, *Fredrik Reinfeldt*[15] became Prime Minister of Sweden, presiding over a center-right coalition government. This is, in my view, positive. Sweden has been described by some as a "one-party state," since the Social Democrats have been in power for 65 of the last 74 years. However, the differences between the left-wing and the right-wing in Sweden are not always that big.

The last time these parties were in power, under the leadership of *PM Carl Bildt*[16] from 1991 to 94, they presided over massive immigration, and have not been vocal in their opposition to the Multicultural policies since. The new Foreign Minister Bildt as a UN Commissioner to the Balkans called for recognising Islam as a part of European culture.

PM Reinfeldt has stated that the original Swedish culture was merely barbarism: "It can sometimes be good to humbly remind of the fact that a great deal of what constitutes Sweden has been created in [a process of] evolution, exactly because we have been open to accept other people and experiences."

Reinfeldt said this following a visit to an area called Ronna in Södertälje, near Stockholm. One year earlier a police station in Södertälje was hit by shots from an automatic weapon following a major confrontation between immigrant youths and police. The trouble in Ronna started after a Swedish girl had been called a "whore" and reacted to this. Ethnologist Maria Bäckman, in her study "Whiteness and gender," has followed a group of Swedish girls in the immigrant suburb of Rinkeby outside Stockholm. Bäckman relates that several of the blond Swedish girls stated that they had dyed their hair to avoid sexual harassment.

I have called Sweden a soft-totalitarian country, but I am sometimes not so sure about the "soft" part. Opinion polls have revealed that two out of three Swedes doubt whether Islam can be combined with Swedish society, and a very significant proportion of the population have for years wanted more limitations on immigration. Yet not one party represented in Parliament is genuinely critical of the Multicultural society.

Is it just a coincidence that the one country on the European continent that has avoided war for the longest period of time, Sweden, is also arguably the one Western nation where Political Correctness has reached the worst heights? Maybe the prolonged period of peace has created an environment where layers of ideological nonsense have been allowed to pile up for generations without stop. I don't know what Sweden will look like a generation from now, but I'm pretty sure it won't be viewed as a model society. And if the absence of war is one of the causes of its current weakness, I fear that is a problem that will soon be cured.

Sources:

<http://www.frontpagemag.com/Articles/Read.aspx?GUID=139D4C85-7785-4ADD-AF55-933A1CD84353>

1. <http://www.jihadwatch.org/archives/016082.php>
2. <http://dansk-svensk.blogspot.com/2007/03/varmen-mder-kulden.html>
3. <http://fjordman.blogspot.com/2005/05/is-swedish-democracy-collapsing.html>
4. <http://gatesofvienna.blogspot.com/2006/07/let-them-eat-kebab-new-marie.html>
5. <http://www.brusselsjournal.com/node/938>
6. http://en.wikipedia.org/wiki/Mona_Sahlin
7. http://news.pacificnews.org/news/view_article.html?article_id=8f2e5052a3d8d103d769d4d676be5de1
8. <http://www.brusselsjournal.com/node/510>
9. <http://gatesofvienna.blogspot.com/2006/08/welfare-state-is-dead-long-live.html>
10. <http://www.amazon.com/new-totalitarians-Roland-Huntford/dp/0812814088/>
11. <http://www.brusselsjournal.com/node/1862>
12. http://en.wikipedia.org/wiki/Ingvar_Carlsson
13. http://en.wikipedia.org/wiki/Olof_Palme
14. <http://gatesofvienna.blogspot.com/2007/01/rise-of-glossocracy.html>
15. <http://www.brusselsjournal.com/node/1671>
16. http://en.wikipedia.org/wiki/Carl_Bildt

2.56 Islamisation and Cowardice in Scandinavia

By Fjordman

As German journalist Henryk Broder put it[1] after the 2006 riots over the Danish cartoons of Muhammad: "Objectively speaking, the cartoon controversy was a tempest in a teacup. But subjectively it was a show of strength and, in the context of the 'clash of civilisations,' a dress rehearsal for the real thing. The Muslims demonstrated how quickly and effectively they can mobilise the masses, and the free West showed that it has nothing to counter the offensive -- nothing but fear, cowardice and an overriding concern about the balance of trade. Now the Islamists know that they are dealing with a paper tiger whose roar is nothing but a tape recording."

In 2008, three years after the cartoons were first published, the matter is still very much alive[2] in the minds of many Muslims. More than 200 lawmakers shouted "Death to the enemies of Islam" during an angry demonstration[3] outside the Afghan parliament, protesting the reprinting of the cartoons in Denmark and the release of the Islam-critical film *Fitna* by the Dutch politician Wilders. At the same time, Danish aid is helping schools to re-open[4] in Afghanistan, even though critics say the curriculum is based on fundamentalist Islam. A campaign to boycott Danish and Dutch products was launched in Jordan. The campaign will include ads in newspapers and on radio and television that urge consumers to avoid buying named goods. The organisation, "The Messenger of Allah Unites Us," have produced t-shirts, bumper stickers and posters with the campaign logo "Live without it."

"[Danish] Muslim organisations intend to take the case[5] to the European Court of Human Rights," Muslim leader Mohammed Khalid Samha told IslamOnline, the large English language website founded by Muslim Brotherhood spiritual leader Yusuf al-Qaradawi, after a Danish court rejected a suit by seven Muslim groups. "We were quite sure that the Danish judiciary would not be fair to Muslims," said Samha. Meanwhile, two Tunisian men were arrested and charged[6] with plotting the murder of *Jyllands-Posten* cartoonist Kurt Westergaard.

As Bruce Bawer[7], author of the book *While Europe Slept*, puts it in the essay *Courage and Cowardice in Scandinavia*[8] from June 2008, following a bomb in Pakistan targeting Denmark:

"When a car bomb exploded outside Denmark's embassy in Islamabad on June 2, killing eight, it was easy to guess who had done it and why. Sure enough, some days later al-Qaeda took credit and confirmed its motive: the now-infamous Muhammed cartoons. Originally published in the *Jyllands-Posten* daily on September 30, 2005, they were reprinted by a raft of Danish dailies last February 13 in a show of solidarity with turban-bomb cartoonist Kurt Westergaard, the target of three would-be assassins who had been arrested the day before. Presumably this rather surprising action — the Danish media, generally speaking, have given *Jyllands-Posten* a rough time for the past three years for upsetting the Muslims — was the immediate cause for the bombing."

"Blasphemy" against Islam potentially carries the death penalty according to sharia law. In June 2008, a Pakistani judge sentenced a Muslim man to death[9] on charges that he insulted Islam's Prophet Muhammad.

In contrast to Denmark's defiance, other Scandinavian countries surrendered to Islamic pressure as fast as humanly possible. Bawer again:

"Sweden took another route. When a political website featured a *Jyllands-Posten* cartoon, the government sent police to close it down. More recently, hit with his own cartoon crisis involving artist Lars Vilks, Prime Minister Fredrik Reinfeldt not only met Muslim

ambassadors, but was praised by one for his 'spirit of appeasement.' Norway didn't cover itself in glory, either. On the pretext that a tiny newspaper, *Magazinet*, had reprinted the *Jyllands-Posten* cartoons (never mind that major dailies in Spain, Germany, and France had done so as well), the cartoon jihadists chose to target Norway as well, plainly betting that the dialogue-happy, UN-worshipping 'peace country' would curb its freedoms at the first hint of Muslim displeasure. They were right. Norway's government caved in ignominiously, holding a press conference on February 10, 2006, at which *Magazinet's* cowed editor, Vebjørn Selbekk, with the blessing of Prime Minister Jens Stoltenberg, grovelled before a posse of imams and apologised to them for exercising his freedom of speech. It was probably the most disgraceful day in modern Norwegian history, but you wouldn't know it by the politicians and journalists, who celebrated this selling out of freedom as a triumph of peacemaking."

Selbekk, editor of the small Christian newspaper *Magazinet*, had firmly resisted pressure from Muslims who had made death threats and from the Norwegian establishment. But eventually Norway's Minister of Labour and Social Inclusion Bjarne Håkon Hanssen hastily called a press conference at a major government office building in Oslo. There Selbekk issued an abject apology for reprinting the cartoons. At his side^[10], accepting his act of contrition and asking that all threats now be withdrawn, was Mohammed Hamdan, the then head of Norway's Islamic Council. As Bawer indicates, it was a picture right out of a sharia courtroom, with the Muslim leader declaring Selbekk to be henceforth under his protection.

In a Friday sermon on February 3 2006, Yusuf al-Qaradawi, the spiritual leader of the Muslim Brotherhood, the world's largest Islamic organisation, exhorted worshippers to show rage^[11] in response to the cartoons. The sermon was aired on TV. The day after, the Danish and Norwegian embassies in Syria were set ablaze by an angry mob. It should be mentioned here that both Norway and Denmark are members of NATO and that destroying an embassy could be considered an act of war, or certainly very close to it. A few days later, a delegation led by Mr. Mohammed Hamdan of Norway's Islamic Council and a senior pastor representing Oslo's bishop visited Qatar to meet Mr. Qaradawi. The trip received support from the Norwegian government. Yusuf al-Qaradawi then accepted the apology that Vebjørn Selbekk had issued on February 10.

Walid al-Kubaisi, a Muslim dissident living in Norway, warned that Yusuf al-Qaradawi is more dangerous than the terrorist leader Osama bin Laden, and that the Muslim Brotherhood, whose founder Qaradawi followed when he was young, wants the world to submit to sharia. Kubaisi reacted strongly to the statement by Mr. Hamdan that he would now give Mr. Selbekk protection: "It frightens me that he presents himself as an authority that can grant or revoke protection. Does this mean that [Minister] Bjarne Håkon Hanssen thinks that the next time I feel threatened because of something I have written, I should contact the Islamic Council, not the police? Sadly, the government, in their eagerness to end the current troubles, have made the authoritarian forces stronger." Kubaisi feared^[12] that Islamic hardliners would from now on burn something every time they felt offended about anything, and expect to get their will.

Trond Giske^[13], Minister of Culture and Church Affairs from the Labour Party, met with Mohammed Hamdan of Norway's Islamic Council a few months after the embassy attacks and announced that government subsidies for the Islamic Council would be raised from 60,000 kroner a year to half a million. That's more than a 700% increase in a single year. The government declared it would meet more frequently with the Islamic Council to "improve dialogue." Its leader Hamdan smiled after having talked with Mr. Giske for about one hour. "We're pretty pleased with the meeting. For us it's important to improve contacts with the government so that we can get to know each other better."

The status given to non-Muslims who accept being second-rate citizens, dhimmis, under Islamic rule is technically referred to as "protected." During the Cartoon Jihad, the left-

wing coalition government demonstrated in public that Norwegian authorities did not control the security of their citizens, and thus had to accept Muslim intervention to secure their safety. This amounted to the acceptance of Islamic rule according to sharia law, a view which was subsequently strengthened by payments to Muslims at home and abroad. Undoubtedly these payments offered by Mr. Giske on behalf of the government were viewed by Muslims as jizya, the "protection money" non-Muslims are required to pay in willing submission (Koran, 9:29) as a sign of their inferior status vis-à-vis Islam, as a compensation for not being slain.

Mohammed Hamdan also participated during a meeting with members of the Palestinian terrorist organisation Hamas at Stortinget, the Norwegian parliament, in the summer of 2006. According to him, he was only an interpreter, but his brother Osama Hamdan is a member of parliament for Hamas in the Palestinian Territories.

Norway in 2007 became first Western country to recognise the then Hamas-led Palestinian government and to make the first transfer of direct financial aid to it. The popular Foreign Minister Jonas Gahr Støre of the Labour Party urged others to follow. Hamas is the Palestinian branch of the Muslim Brotherhood. They state this explicitly in their charter, which means that the left-wing government of PM Jens Stoltenberg was willing to fund an organisation whose spiritual leader had recently caused physical attacks against their country and is waging a war against their civilisation. This was applauded by most Norwegian media commentators.

FM Gahr Støre participated in a conference with participants from dozens of countries and media outlets on how to "report diversity" in a non-offensive manner, with Arab News from Saudi Arabia as a moderator. The Cartoon Jihad had prompted Indonesia and Norway to join forces and promote a Global Inter-Media Dialogue. In June 2007 this was held in Oslo.

Keynote speaker at the conference, Doudou Diène[14], the United Nations Special Envoy for racism, xenophobia and intolerance, urged the media to actively participate in the creation of a Multicultural society[15], and expressed concerns that the democratic process could lead to immigration-restrictive parties gaining influence. Mr. Diène represents Senegal, a predominantly Muslim country which is a member of the Organisation of the Islamic Conference (OIC), the largest voting bloc at the United Nations.

There were already signs that large portions of the mainstream media had been working according to similar ideas long before this conference. In Britain, leading figures of the BBC have proudly announced that they actively promote multiculturalism. In Denmark in 2008, while their country was threatened by Muslims across the world, public broadcaster Danmarks Radio, the local equivalent of the BBC and with the same left-wing Multicultural bias, decided to hold a "Miss Headscarf" beauty contest for women with the only requirement being that they are over 15 and wear a veil, the way Muslim women are supposed to do.

As American scholar Dr. Daniel Pipes notes[16], "Self-hating Westerners have an out-sized importance due to their prominent role as shapers of opinion in universities, the media, religious institutions, and the arts. They serve as the Islamists' auxiliary mujahideen."

Following new threats in Denmark[17], the regional Norwegian daily *Adresseavisen* in 2008 decided to show solidarity with the Danish cartoonists. As Bruce Bawer writes:

"Trondheim's *Adresseavisen* daily ran a cartoon which, though not depicting Muhammed, angered 'moderate' Muslim lawyer Abid Q. Raja, who – apparently feeling that *Adresseavisen* had obeyed the word but not the spirit of the *Magazinet* accords – argued

that the cartoon shouldn't have been published because it would be 'misunderstood' by Muslims. Pakistani ambassador Rab Nawaz Khan agreed, calling the cartoon an 'act of terror' that can 'endanger the lives of Norwegian citizens.' When a cartoon is terrorism and a bomb is a form of expression, you're in Orwell country. Yet the star of the moment was Norwegian novelist Dag Solstad, who only days before the bombing delivered what you might call Norway's version of Rowan Williams's sharia lecture. Solstad didn't go in for sharia explicitly – instead, he made the argument that free speech is actually undesirable, since it drowns meritorious works (such as his novels, presumably) in a sea of vulgarity (a category to which he relegated the Muhammed cartoons). Solstad's colleagues offered polite demurrals."

Mr. Solstad, with a history of long and strong sympathies for various Communist movements, is not unique. By the time these words are written, many Norwegian observers and intellectuals have criticised "free speech fundamentalists" in the major media.

Is there no opposition to these views? Fortunately, there is. Per Edgar Kokkvold, Secretary-General of the Norwegian Press Association, deserves credit for his principled opposition to censorship (which earned him several death threats). A book by a former MP for the Conservative Party, Hallgrim Berg, warns against plans to turn Europe into Eurabia. He discusses the growing anti-Americanism in Europe and maintains that the United States is the only power capable of securing freedom. In 2005 the police issued a mobile security alarm to the then leader of the right-wing Progress Party, Carl I. Hagen. Hagen criticised Islam and could see no similarity with the concept of morality found in Christianity. He said that if Israel loses in the Middle East, Europe will succumb to Islam next. He thinks that Christians should support Israel and oppose Islamic inroads into Europe. In an unprecedented step, a group of Muslim ambassadors blasted Hagen in a public letter. Other politicians quickly caved in and condemned Mr. Hagen, including then Prime Minister Kjell Magne Bondevik of the Christian Democrats. In 2008, the Progress Party looks set to replace the Labour Party as the largest party in the country, for the first time in generations.

You can find pockets of resistance in Norway (and to a lesser extent Sweden), but the general picture is rather bleak. Denmark is currently the only Scandinavian country with something resembling a spine, but Danes compensate for this by being one of the leading countries in the Western world in opposing Islamisation.

Sources:

<http://www.brusselsjournal.com/node/3501>

1. <http://www.spiegel.de/international/spiegel/0,1518,462149,00.html>
2. <http://www.jihadwatch.org/archives/020194.php>
3. <http://www.cphpost.dk/get/106021.html>
4. <http://www.cphpost.dk/get/107637.html>
5. <http://snaphanen.dk/2008/06/20/we-were-quite-sure-that-the-danish-judiciary-would-not-be-fair-to-muslims/#more-2972>
6. <http://www.cphpost.dk/get/107734.html>
7. <http://www.brucebawer.com/>
8. <http://www.standpointmag.co.uk/courage-and-cowardice-in-scandinavia-july>
9. <http://www.jihadwatch.org/dhimmiwatch/archives/021444.php>
10. <http://www.aftenposten.no/english/local/article1219937.ece>
11. <http://memri.org/bin/articles.cgi?Page=archives&Area=sd&ID=SP108906>
12. <http://www.dagbladet.no/nyheter/2006/02/14/457855.html>
13. <http://www.dagbladet.no/nyheter/2006/09/29/478266.html>
14. <http://gatesofvienna.blogspot.com/2007/06/ostriches-in-oslo.html>
15. <http://www.asiamedia.ucla.edu/article-world.asp?parentid=71368>
16. <http://www.danielpipes.org/article/4227>
17. <http://www.cphpost.dk/get/107387.html>

2.57 Our Offensive National Flag

Jeremy Clarkson heads the program "Top Gear" at the BBC, one of the funniest shows on TV. Since it has absolutely nothing to do with politics or religion, only with cars, it is one of the very few programs at the British Broadcasting Corporation still worth seeing.

I have to disagree with Clarkson regarding the English national flag, though. Discrediting national flags as signs of "bigotry" is happening all over the Western world[1].

And no, you are not being robbed of pride in your national heritage because of your colonial history. I'm Norwegian. We don't have a colonial history, yet we are still subject to similar attacks[2]. They don't do this because you are English, they do this because you are *Westerners* and — dare I say? — white. British colonial history is just a convenient excuse.

From the *Times Online*[3], "**We've been robbed of our Englishness**":

Today, things are rather different. Mention the war and you'll be told by an outreach counsellor that we must empathise with the Germans, who are coming to terms with their mistakes of the past. "And you know, children, it was actually the British who invented concentration camps . . ."

Empire? When I was at school, teachers spoke with pride about how a little island in the north Atlantic turned a quarter of the world pink, but now all teachers talk about is the slave trade and how we must hang our heads in shame.

Right. So we must forgive Germany for invading Poland. But I must beat myself to death every night because my great-great-great-grandad moved some chap from a hellhole in Ghana to Barbados. In fact I can't even say we're British any more because then all of Scotland would rush over the border, pour porridge down my trousers and push a thistle up my bottom.

I believe people need to feel like they're part of a gang, part of a tribe. And I also believe we need to feel pride in our gang. But all we ever hear now is that we in England have nothing to be proud about. In a world of righteousness we are the child molesters and rapists.

Our soldiers were murderers. Our empire builders were thieves. Our class system was ridiculous and our industrial revolution set in motion a chain of events that, eventually, will kill every polar bear in the Arctic.

And it gets so much worse. Because if you say you are a patriot, men with beards and sandals will come round to your house in the night and daub BNP slogans on your front door. This is the only country in the world where the national flag is deemed offensive [...]

Then there's our national character. In the past, boys were told in school assembly that their mothers had died and were expected to get over it in a nice game of rugby. Crying only happened abroad. Not any more. We were ordered to weep like Americans when Diana died, and no local news report is complete today without some fat oik sobbing because his house has fallen over[...]

Do you see? We can't be proud of our past because it's all bad, we can't use British humour because it's offensive and we can't use understatement to deal with a crisis because the army of state-sponsored counsellors say we've got to sob uncontrollably at every small thing.

Source:

<http://gatesofvienna.blogspot.com/2007/12/our-offensive-national-flag.html>

1. <http://www.thelocal.se/8401/> 2. <http://www.brusselsjournal.com/node/2475>

3. http://www.timesonline.co.uk/tol/comment/columnists/jeremy_clarkson/article2935442.ece

2.58 Will Netherland Survive the 21st Century?

By Fjordman

Let us consider the case of the Netherlands. Islamic practices there gain more and more public acceptance. There is talk of making Islamic holidays public holidays because Holland is a "Judeo-Christian-Islamic" society, whatever that is. There are plans for a Muslim-only hospital[1], and former Justice Minister Piet Hein Donner[2] stated that the Dutch should give Muslims more freedoms to behave according to their traditions: "For me it is clear: if two-thirds of the Dutch population should want to introduce the Sharia tomorrow, then the possibility should exist," according to him. "It would be a disgrace to say: 'That is not allowed!'"

The idea is by no means far-fetched. Unofficial sharia courts have been operating for years in major European cities and gradually gain official acceptance. In September 2008 it was made known that British authorities will formally accept rulings of sharia courts on certain matters. This means that Britain has not just culturally but also legally surrendered to its new Muslim masters. The political elites will put up no resistance whatsoever to continued Islamisation.

Britain is one of the worst countries in the Western world, which says a lot given how bad many others are, but it belongs to a growing group of nations where the authorities have more or less surrendered to Islamic rule, openly promote Islamic "culture", and harass those who resist. One could add Sweden, the Netherlands, Belgium, and probably France to the list, which keeps growing. Norway, Spain, Austria, Germany and others are not far behind.

The Netherlands, which for centuries was a haven for those seeking more freedom of thought, is becoming an increasingly totalitarian society as a direct result of mass immigration in general and Muslim immigration in particular. This is the reason why the insightful Hans Janssen, Professor of Modern Islamic Ideology at Utrecht University, stated that a peaceful society that wishes to remain existent "will have to find a way to defend itself through non-peaceful means from people who are not peaceful." According to Jansen, Muslim fundamentalists frequently make threats, but Dutch media remain silent[3] about them.

Public broadcaster NPS[4] is producing a television programme with the objective of giving the Dutch population a positive view of Muslims and other immigrant groups. Meanwhile, in 2008 it was revealed that a policeman of Moroccan origins in the Rotterdam police corps has been unmasked as a spy for the Moroccan intelligence service. He led a project that trained 57 Moroccan problem youngsters as ground personnel for Rotterdam Airport. The Public Prosecutor's Office (OM) decided not to prosecute him, allegedly because this could potentially generate negative publicity about the "Multicultural" society. Even after this was revealed, the policeman unmasked as a spy for a foreign country continued[5] working at Rotterdam Airport. The airport management saw no reason to refuse him a job.

In contrast, the Dutch Labour Party (PvdA) tried to muzzle[6] a (then) member who was fighting for the rights of Muslim apostates because they feared he would cause the party electoral damage. As most other left-wing parties in the Western world, they get a disproportionate number of immigrant votes. The man in question, the brave ex-Muslim Ehsan Jami[7], in the spring of 2008 decided to close down his organisation of former Muslims who defy the traditional death penalty for leaving Islam. He claims people are scared to join the organisation because of threats from Muslims.

Slotervaart[8], a Moroccan neighbourhood in Amsterdam, has been plagued by riots and arson. Just as in similar areas in Sweden, France, England and elsewhere, emergency

personnel from the fire brigade and ambulance services are at risk of physical attacks when they enter. Western Europe's major cities have become notorious for their rapidly expanding "no-go" zones, from Birmingham, London and Bradford via Marseilles, Paris, Antwerp and Brussels to Copenhagen, Berlin and Hamburg. There are now many areas into which even the police dare not venture without substantial backup. In certain urban areas the fire brigade and ambulance services are reluctant to answer calls in Muslim neighbourhoods, where "youths" set fire to public buildings, and then lay an ambush for the fire brigade when it arrives.

In mid-September 2008, the bus service in the Dutch town of Gouda announced it would not drive through the Oosterwei[9] neighbourhood. The decision came following complaints from bus drivers who report that on their route through the neighbourhood they are being spit on, threatened and robbed by Moroccan youth, who systematically kick against the buses as well.

It has earlier been revealed that Moroccans, Turks and other Muslims in the Netherlands receive direction from their home countries. Ethnic Turks have received instructions from Turkey on how to vote in Dutch elections.

Also in mid-September 2008, politician Geert Wilders[10] said during a speech in Parliament that Moroccans are colonising the Netherlands. According to Wilders, Moroccans didn't come there to integrate, but "to subjugate the Dutch" and rule over them. "We lose our nation to Moroccan scum who go through life while abusing, spitting and molesting innocent people," Wilders stated. "They happily accept our dole, houses and doctors, but not our rules and values", he said. According to him there are "two nations." The cabinet's nation is that of "climate hysterics and uncontrollable Islamisation." The other nation, "my nation," Geert Wilders said, "is that of the people who have to foot the bill and are being robbed and threatened by Islamic street terrorists."

Seven minutes after the speech began, "a technical error" occurred in the television broadcast which was mysteriously solved the very second Wilders finished his speech. The state TV is notoriously biased in their pro-Multicultural opinions and belief that Wilders is evil.

As I wrote in my online essay "Democracy and the Media Bias[11]", in democratic societies the press, the Fourth Estate, should supposedly make sure that the government does its job properly as well as raise issues of public interest. In practice, we now seem to have a situation where the political elites cooperate with the media on making sure that some topics receive insufficient or unbalanced attention while others are simply kept off the agenda altogether. Together they form a new political class.

Before the rise of maverick politician Pim Fortuyn[12], the Dutch political scene had to a great extent been a closed club whose members, regardless of party affiliation, shared similar views in the widest possible sense. Most of the journalists belonged to the same club. If the majority of the populace didn't quite agree with this elite on sensitive issues — and the most sensitive of them all was Muslim immigration — this hardly mattered much. Since all those who were in positions of power were in basic agreement, the will of the people could safely be ignored. Journalists and rival politicians — notice how they worked in lockstep — smeared Fortuyn as a dangerous "right-wing extremist." Indirectly, this led to his murder by a left-wing activist who stated that he killed him on behalf of Muslims because he was "dangerous" to minorities.

Pim Fortuyn was indirectly murdered by the political, cultural and media elites whereas filmmaker Theo van Gogh was murdered by Muslims. MP Ayaan Hirsi Ali has been driven from the country. The Islam-critical MP Geert Wilders is still there, but he is subject to similar smears as Fortuyn was about being a racist, receives daily threats from Muslims

and not-so-subtle hints from the establishment that he should tone down his criticism of Muslim immigration. The Dutch spirit between 2001 and 2008 appears to have been broken, as things are slowly returning to normal. The extended political elites are once again firmly in control of public debate, and the embarrassing peasant rebellion has been successfully struck down.

Perhaps Holland's chance of saving itself died with Fortuyn. I hope not. I have always loved the Netherlands, and it would be extremely sad if a once-great nation that has spent so much time and energy on keeping the sea out will be destroyed by a tidal wave of sharia barbarism.

In May 2008 the cartoonist writing under the pseudonym Gregorius Nekschot[13] became the first-ever cartoonist to be arrested in the modern Western world. He was arrested at his home in Amsterdam and taken into custody for interrogation, suspected of "publishing cartoons which are discriminating for Muslims and people with dark skin." At the same time, the city of Amsterdam developed teaching material[14] warning children against the politics of the Islam-critical politician Geert Wilders. MP Wilders called the campaign "sickening."

Wilders' movie *Fitna* from March 2008 produced strong reactions from Muslims on a global basis and condemnations from dhimmi appeasers in the Western world. Although the short film didn't do anything other than quote the Koran and statements by Muslim leaders, the United Nations Secretary-General Ban Ki-moon[15] condemned it as offensively anti-Islamic. "There is no justification for hate speech or incitement to violence," Ban said in a statement. "The right of free expression is not at stake here." The UN High Commissioner for Human Rights Louise Arbour[16] joined in on condemning the tone and content of *Fitna* and noted that the Dutch and others should prohibit any advocacy of racial or religious hatred that constitutes incitement to discrimination or hostility. In plain words, they should ban criticism of Islam.

There are already examples where small Dutch websites[17] have been prosecuted for carrying readers' comments critical of Islam and Muslims, thus setting a legal precedent for the suppression of free speech on the Internet[18]. This despite the fact that far more offensive material is routinely posted on Islamic online forums and is never subjected to any punishment. Similar developments are taking place in other European countries. This is encouraged not only by national authorities but by EU officials, who have expressed their desire to "regulate" blogs and similar websites more because they are often more critical of multiculturalism, mass immigration and general EU policies than are the mainstream media.

What this means is that Dutch authorities are giving in to demands from Islamic countries and kneel at the feet of their new Muslim masters. There can be no doubt that there is considerable political pressure on the police and others to enforce Multicultural speech codes and silence dissenters among the natives. Since we see clearly that Muslims can post negative remarks about the natives, but the natives are not allowed to post negative remarks about Islamic culture, this means that the natives are de facto second-rate citizens in their own country. This is coincidentally the status that they are supposed to have according to sharia, which means that the authorities are now enforcers of Islamic law.

Some observers say that the political elites in Western Europe are "powerless" to stop street violence. But they are aggressive in suppressing criticism of continued mass immigration, which indicates that they are not so much powerless as actively hostile to the natives.

In Brussels, Belgium, gangs of Muslim immigrants harass the natives on a daily basis. We have had several recent cases where native girls have been gang raped by immigrants in

the heart of the EU capital, yet when the natives wanted to protest against the Islamisation of their continent on September 11th 2007, the demonstration was banned by the Socialist mayor of Brussels, whose ruling party is heavily infiltrated by Muslims. Those who attempted to carry on with a peaceful protest were arrested by the police.

Dozens[19] of boys and girls have been systematically abused, intimidated and molested by a group of older boys in the Utrecht neighbourhood of Overvecht. Children aged 8, 9 and 10 have been dragged into bushes and coerced into performing sexual acts on boys a few years older. Most of the children involved are of Moroccan background. A municipal council member said that the problems are not being addressed. "This has been going on for almost a year. People just talk and talk and talk. And nothing is done," she said.

In March 2007, native Dutch residents of the city of Utrecht rioted to protest against harassment by Muslim youths and government inaction to stop this. The authorities immediately suppressed the riots by sealing off the area and installing surveillance cameras to control Dutch non-Muslims, but they have done virtually nothing to address the underlying problem of violence from immigrant gangs. The case is far from unique.

Such incidents demonstrate that the authorities throughout Western Europe are now dedicated to implementing continued mass immigration and multiculturalism no matter what the natives think. If they object, they will be silenced. The Dutch voted "no" by a very large margin to the proposed EU Constitution that will formally dismantle their country, as did Irish and French voters, but they are simply ignored. At the same time, the EU elites obediently respond to calls from Islamic countries to ban "stereotypes and prejudice" targeting Islam. European political elites implement the agendas of our enemies and ignore the interests of their own people. They are thus collaborators and traitors and should be treated accordingly.

The interesting question is this: Are the elites merely appeasing Islam, which they certainly are doing, or are they actively promoting and expropriating it for their own ends? As Iranian ex-Muslim Ali Sina puts it in his excellent book *Understanding Muhammad*: "Islam was an instrument of domination. After Muhammad, others used his cult for the very same purpose." Maybe this is happening in the EU as well?

Ali Sina rejects the Multicultural concept that all cultures (except European culture, which is evil and should be eradicated) are worth keeping:

"If any culture needs to be preserved, it is the Western, Helleno-Christian culture. It is this culture that is facing extinction. It is to this culture alone that we owe the Enlightenment, Renaissance, and democracy. These are the foundations of our modern world. It would be a terrible mistake not to preserve this culture. If we do nothing, we face a future where democracy and tolerance will fade and Islam's more primitive instincts will subjugate humanity. All cultures are not made equal... Islam is not a culture. It is the antithesis of culture. It is barbarity, savagery and incivility. Islamic civilisation is an oxymoron, while Islamic terrorism is redundancy. We owe our freedom and modern civilisation to Western culture. It is this culture that is now under attack and needs protection."

As I put it in my essay *"The Welfare State is Dead, Long Live the Welfare State[20]"*, Americans say "In God we trust." Is the welfare state, on some deep, subconscious level, a substitute for God? An omnipresent State instead of an omnipresent God? Europeans lost belief in God in Auschwitz and the trenches of WW1. We no longer trust in God, so we put our trust in the State, to create a small oasis of security on a continent that has had such a turbulent history.

The slogan is "security from cradle to grave." But right now the welfare state clearly does not provide financial or physical security in much of Western Europe, at least not for the

natives. It pays for more cradles to Muslim immigrants while it leads some of the natives prematurely to their graves. Taxes are a form of disguised *jizya*, the poll tax paid by submissive non-Muslims under Islamic rule, taken from us and given to those who colonise our lands.

The welfare state breeds passivity and obedience to the state's agenda since so many are dependent upon it for their livelihoods. For rulers, this can be quite useful. The stated purpose of the welfare state is to alleviate poverty, but we should remember that a powerful state bureaucracy which deals with all aspects of life leaves a great deal of power to those on top of that bureaucracy, ruling people who have been pacified and emasculated by decades of state indoctrination and interference in their private lives. I suspect one of the reasons why Europeans put up with a powerful EU bureaucracy running much of Europe's affairs is that we have already been accustomed to this on a national level.

My advice to Westerners in general is to arm themselves immediately, first of all mentally with knowledge of the enemy and pride in their own culture and heritage, but also physically with guns and the skills to use them. Friedrich Nietzsche stated in the nineteenth century that "God is dead." In the early twenty-first century it would be fair to say that "The State is dead," the replacement God in which we placed our trust after the other God died.

Every single day we get more evidence that the authorities are totally incapable of protecting any semblance of security and freedom for its citizens. The only thing the state still seems to be capable of doing is indoctrinating our children with hatred of their own civilisation and taking away our money so that it can be given to those who colonise our countries and abuse our children, verbally and physically.

My bet is still on Britain, or possibly Denmark, as the first Western country to face a civil war due to Muslim immigration, but the Netherlands is a potential candidate as well. I just wonder whether the Dutch are already a broken nation, mentally speaking. Their political elites have chosen formal surrender and will enforce sharia and ban everybody disagreeing with this as "extremists". Native Dutchmen will either have to fight back or leave their country behind and watch it die from a distance, as a significant number of them have already done.

What is happening in Western Europe now is a textbook case of a situation where the social contract is no longer upheld. The natives pay extremely high tax rates to nation states that no longer protect their borders and are both unwilling and incapable of upholding a bare minimum of law and order. The laws are in any case no longer passed with our interest in mind, but by dedicated Multiculturalists and Globalists specifically hostile to our interests. The European Union is the very definition of tyranny.

As John Locke says in the *Second Treatise on Government*:

The reason why men enter into society is the preservation of their property, and the end why they choose and authorise a legislative is that there may be laws made, and rules set, as guards and fences to the properties of all the members of the society, to limit the power and moderate the dominion of every part and member of the society... whenever the legislators endeavor to take away and destroy the property of the people, or to reduce them to slavery under arbitrary power, they put themselves into a state of war with the people... By this breach of trust they forfeit the power the people had put into their hands for quite contrary ends, and it devolves to the people, who have a right to resume their original liberty, and, by the establishment of a new legislative, (such as they shall think fit) provide for their own safety and security, which is the end for which they are in society.

Thomas Jefferson stated that "I hold it, that a little rebellion, now and then, is a good

thing, and as necessary in the political world as storms in the physical.” He also said that “Laws that forbid the carrying of arms... disarm only those who are neither inclined nor determined to commit crimes.... Such laws make things worse for the assaulted and better for the assailants; they serve rather to encourage than to prevent homicides, for an unarmed man may be attacked with greater confidence than an armed man.”

We would do well to heed those words.

Source:

- <http://gatesofvienna.blogspot.com/2008/09/will-holland-survive-21st-century.html>
- 1. <http://www.jihadwatch.org/dhimmiwatch/archives/013424.php>
- 2. <http://www.jihadwatch.org/dhimmiwatch/archives/013100.php>
- 3. http://www.nisnews.nl/public/240307_2.htm
- 4. <http://gatesofvienna.blogspot.com/2008/09/dutch-state-tv-propagandizes-for.html>
- 5. http://www.nisnews.nl/public/180908_1.htm
- 6. http://www.nisnews.nl/public/050607_1.htm
- 7. <http://gatesofvienna.blogspot.com/2008/04/ehsan-jami-closes-his-organization.html>
- 8. <http://gatesofvienna.blogspot.com/2008/09/culture-of-insults.html>
- 9. <http://gatesofvienna.blogspot.com/2008/09/hazards-of-being-dutch-bus-driver.html>
- 10. <http://gatesofvienna.blogspot.com/2008/09/pulling-plug-on-geert-wilders.html>
- 11. <http://democracyreform.blogspot.com/2007/08/democracy-and-media-bias-by-fjordman.html>
- 12. <http://www.nysun.com/opinion/europes-champion-of-liberty/53818/>
- 13. <http://www.brusselsjournal.com/node/3257>
- 14. http://www.nisnews.nl/public/070208_1.htm
- 14. <http://48.210.16.369plusf72:CUfmled614187191364ФЪ>
- 15. <http://www.jihadwatch.org/dhimmiwatch/archives/020483.php>
- 16. <http://www.jihadwatch.org/dhimmiwatch/archives/020495.php>
- 17. <http://gatesofvienna.blogspot.com/2008/09/lady-justice-was-raped.html>
- 18. <http://gatesofvienna.blogspot.com/2008/09/death-of-free-speech-in-netherlands.html>
- 19. <http://www.brusselsjournal.com/node/2223>
- 20. <http://gatesofvienna.blogspot.com/2006/08/welfare-state-is-dead-long-live.html>

2.59 The Spanish and the Portuguese – Once and Future Dhimmis?

By Fjordman

In May 2008, the President of the European Commission, José Manuel Barroso[1], stated that Islam is part and parcel of Europe and condemned the concept of a clash of civilisations. “Islam today is part of Europe. It is important to understand this. One should not see Islam as outside Europe. We already have an important presence of Islam and Muslims among our citizens,” Barroso told a press conference after a dialogue between EU leaders and twenty high-level representatives of Christianity, Judaism and Islam in Europe. The Grand Mufti of Bosnia-Herzegovina, Dr. Mustafa Cerić, responded that Islam is indeed part of Europe but unfortunately Turkey is not yet part of Europe. “Following this logic Europe has to prove that Islam is part of Europe by not delaying the acceptance of Turkey to the EU,” he said.

I find this especially sad since Mr. Barroso, prior to becoming the unelected leader of the EU, was Prime Minister of Portugal, a country that was for centuries under the Islamic yoke. Do the Portuguese miss their past status as dhimmis? The reaction of the Nordic countries to mass immigration and Muslim intimidation, with the exception of Denmark, has been pathetic. I’m certainly not proud of it, but at the very least countries such as Norway, Finland and the Baltic nations have had little historical exposure to Muslims. The Portuguese and the Spanish do not have this excuse, after centuries of Islamic occupation and hard struggles to regain control over their lands, which makes their current actions all the more difficult to understand.

Observer Soeren Kern[2] thinks that “Since Spanish Socialists (more often than not) have trouble winning arguments on their own merit, the preferred tactic is to demonise their opponents instead.” He’s undoubtedly correct about that, although I do not see how that makes Spanish Socialists different from their counterparts elsewhere. According to

Kern:

"Italian voters in April [2008] returned Prime Minister Silvio Berlusconi to a third term[3] in office. The center-right leader was given a strong mandate to crack down on runaway immigration and spiraling street crime, two hot-button issues that are intrinsically linked[4], not just in the minds of Italians, but in those of many other Europeans too, especially in Spain. As a result, Spanish Socialists are (rightly) worried that Berlusconi's get-tough approach will jeopardise their own fantastical vision of turning Europe into a post-modern multicultural utopia. It therefore comes as no big surprise that Spanish Socialist Deputy Prime Minister María Teresa Fernández de la Vega[5], who is also commonly known as Spain's high-priestess of political correctness, recently lashed out[6] at the no-nonsense immigration policies of the new Italian government. Her pontifical rebuke[7] declared that the Spanish executive 'rejects violence, racism and xenophobia, and therefore cannot agree with what is happening in Italy.'" Moreover, "By rewarding illegal immigrants with Spanish (and thus European) documentation, Zapatero has unleashed what is known as the 'call effect[8]' to people as far away as Kashmir who now believe that Spain is an easy gateway into Europe."

Gustavo de Aristegui[9], the foreign affairs spokesman for the conservative (but in my view still a bit too soft) Popular Party, explains in his book *The Jihad in Spain: The obsession to reconquer Al-Ándalus*[10] that, in schools throughout the Muslim world, maps are used with Spain and Portugal coloured green because they are still considered part of *dar al-Islam*, or the House of Islam. According to antiterrorist sources, eight Jihadist groups[11] have settled in Spain, located mostly in Catalonia, Madrid, Andalusia and Valencia. Their threat is real, since most of these sleeping cells "can be activated at any time and perpetrate criminal attacks."

As AMDG from the blog La Yijad en Eurabia[12] says: "The fact that Spain is one of the targets of the Third Jihad is not surprising. Muslims have the religious obligation to expand Islam — mostly political Islam; conversion can be forced later on in many ways — and in particular they have the compelling obligation to retrieve those lands on which Islam once ruled. Al Andalus — that is Spain, and not only the south of Spain, the modern Andalucía — was once under Mohammedan yoke and is therefore among the priorities of the Jihad. The answer by Spaniards to this threat cannot be more discouraging. Spanish government withdrew its troops from Iraq immediately after the first terrorist attack, even if they were not combat troops. Their next initiative was the proposal of the Alliance of Civilisations."

The Socialist PM José Luis Rodríguez Zapatero was swept to power by the Jihadist terrorist train bombings in Madrid in March 2004, the largest peacetime attacks in Spain's modern history. He has been surrendering his country to Muslims and mass immigration every day since then. Zapatero, who has said[13] that "sexual equality is a lot more effective against terrorism than military strength," appointed a pregnant woman as Minister of Defence in April 2008, thus making a mockery of his armed forces and signaling to everybody that his country has no intentions of defending itself.

There are also serious plans afoot to create a tunnel linking Spain (and thus Europe) physically to Morocco and Muslim North Africa. As usual in Western countries, Socialists who seek to destroy their own countries are de facto allies with Big Business interests, the same business interests that have championed the borderless EU common market, who desire bigger markets and an abundant supply of cheap labour, and tend to view defended national borders as an obstacle to both. According to a study by the Group for Reflection and Proposal on Business and Immigration, Spain needs over two million new foreign workers[14] until 2020, many of whom will undoubtedly be Muslims.

In June 2008, it was announced that an "interfaith meeting[15]" sponsored by Saudi Arabia was to be held in Madrid. The dialogue would be held by the Saudi-based World

Muslim League. "Prominent figures among followers of the divine messages will take part in dialogue concerning life in human societies, international cooperation, human rights, and issues of security, peace and living together in the world," said a statement by the agency.

As Robert Spencer commented at Jihad Watch: "There are several angles to the choice of Spain for the site of this 'dialogue': One, obviously, is that it would be rather awkward to invite a large contingent of religious leaders to a place where they are forbidden from carrying bibles and other sacred texts, and from displaying religious symbols. And, of course, they certainly couldn't hold the meeting in Islamic holy cities of Mecca and Medina, since no non-Muslims are allowed there. That might lead to uncomfortable questions when one considers that Rome, Jerusalem, and other cities are open to all visitors. But beyond that is Spain's history as an Islamic possession and the trumped-up myth of the nearly utopian, Islamic Andalusia of yore; the idea of going back to those 'good old days' will surely be a source for much of the propaganda that will come out of this Saudi-led venture." Spencer feared that a more accurate term for this event would be "interfaith monologue."

As I've stated in my online essay *Socratic Dialogue vs. Islamic Dialogue*[16], Muslims understand the term "dialogue" in a way that differs sharply from that of Westerners. For them, "dialogue" does not mean an attempt to rationally debate a topic in order to arrive at the truth. Truth is already given: It's called sharia, and the only "dialogue" that is acceptable is one that will lead to the implementation of sharia, one way or the other. When they invite to a "dialogue," they actually mean that we should negotiate our surrender, or else...

Poul E. Andersen, former dean of the church of Odense, Denmark, warns against false hopes of dialogue with Muslims. During a debate at the University of Aarhus, Ahmad Akkari, one of the Muslim participants, stated: "Islam has waged war where this was necessary and dialogue where this was possible. A dialogue can thus only be viewed as part of a missionary objective." When Mr. Andersen raised the issue of dialogue with the World Muslim League in Denmark, the answer was: "To a Muslim, it is artificial to discuss Islam. In fact, you view any discussion as an expression of Western thinking."

Since its inception, Islam has been waging an aggressive war against the rest of mankind, with the stated purpose of bringing every single human being on earth under Islamic rule. Infidels have been presented with only three options: Convert to Islam, die, or submit under Islamic rule as a dhimmi, a second-rate citizen in your own country subject to serious financial pressure, constant verbal humiliations and frequent physical abuse. Islam hasn't changed in the last 1400 years. Unless we are prepared to accept conversion or dhimmi status, we have to fight. The Spanish and the Portuguese knew that once. One can only hope that they will remember it again.

Source:

- <http://gatesofvienna.blogspot.com/2008/06/spanish-and-portuguese-once-and-future.html>
- 1. <http://www.jihadwatch.org/dhimmiwatch/archives/020899.php>
- 2. <http://www.brusselsjournal.com/node/3307>
- 3. <http://www.timesonline.co.uk/tol/news/world/article3744594.ece>
- 4. <http://50.123.8.666plusf42:RSckyns849828171339Y4>
- 5. http://www.boston.com/news/world/europe/articles/2008/04/12/in_north_italy_immigration_is_hot_election_topic
- 6. <http://www.youtube.com/watch?v=-0TJV8P3Xsw&feature=related>
- 7. <http://www.iht.com/articles/2008/05/21/europe/italy.php>
- 8. http://www.monstersandcritics.com/news/europe/news/article_1405851.php
- 9. <http://www.freerepublic.com/focus/f-news/1657476/posts>
- 10. <http://pajamasmedia.com/blog/spain-the-once-and-future-muslim-province/>
- 11. <http://www.casadellibro.com/fichas/fichabiblio/0,1094,2900001086733,00.html?codigo=2900001086733>
- 12. <http://gatesofvienna.blogspot.com/2008/04/eight-jihadist-groups-have-settled-in.html>
- 13. <http://layijadeneurabia.com/>
- 14. <http://www.time.com/time/magazine/article/0,9171,901040927-699350,00.html>
- 15. <http://gatesofvienna.blogspot.com/2008/04/spain-needs-two-million-more-foreigners.html>
- 16. <http://www.jihadwatch.org/dhimmiwatch/archives/021481.php>
- 17. <http://www.jihadwatch.org/dhimmiwatch/archives/020800.php>

2.60 Collusion between British Government and Muslim Terrorists

By Mister Fox

Gordon Brown and Business Secretary Lord Mandelson went to Saudi Arabia and the Gulf states in the first week of November 2008 to ask them to fund our faltering economies by putting billions into the International Monetary Fund.

In return they offered them some control over Britain and the West. The Saudi regime is the motor behind Islamisation of the West. It is Saudi's Wahhabi form of Islam which, together with the Shi'ites in Iran, aims to make Islam dominant in the world. Saudi money has financed the spread of Wahhabi mosques, preachers and educational institutions in this country promoting holy war and converting thousands of British Muslims.

Saudi Wahhabism seeks to conquer the West through a pincer movement comprising violence on the one hand and cultural infiltration on the other and our Prime Minister is colluding with them. Lord Mandelson admitted that the Saudis and other Gulf states would get more influence in global institutions in return.

Islamic influence is spreading into our cultural life as they buy Western institutions. Manchester City F C was is now owned by the ruling family of Abu Dhabi; Barclays Bank, has had almost £6 billion invested from Abu Dhabi and Qatar.

Islamist ideas are also spread through Islamic study centres attached to our universities. Professor Anthony Glees revealed eight universities — including Oxford and Cambridge — have accepted more than £233.5 million from Saudi and Muslim sources since 1995, spreading radicalism and creating two separate identities and sets of allegiance.

Our traditional elites are colluding with them against us. The Saudi monarchy are building The Oxford Centre for Islamic Studies (OCIS), founded in 1985, Prince Charles is its honorary patron. It is the biggest Muslim educational centre in the United Kingdom and built as a traditional Oxford college around a central cloistered quadrangle. The 10,230 sq m four-storey building will feature study and research facilities, a lecture theatre, a large library and an environmentally controlled archive for rare documents; a prayer hall with traditional dome and minaret tower. The centre includes a 108-foot-high minaret and a 75-foot-high dome. It is estimated at £65 million. We remember that this traitorous university is pushing British students of in favour of overseas students.

The elites submission to Saudi was clear when they suspend rule of law as they did by abandoning the bribery investigation into the arms deal between Saudi Arabia and BAE systems because of an explicit threat made by the Saudi authorities that, if the case continued, '*British lives on British streets*' would be at risk, as explained by Britain's former ambassador to Saudi Arabia, Sir Sherard Cowper-Coles. These are the controllers of terror groups in the West that Brown and other politicians are colluding with against the general public!

Muslims have influence over us through the combination of the threat of violence and wealth, yet, Brown is to make London the global centre of Islamic banking. Britain's major banks are accepting Sharia finance, on the basis that it is a source of vast wealth but Sharia is a project for Islamising society that prohibits interest.

It was founded in mid-20th century by Islamist ideologues to further global Islamic rule by creating separate administrative systems. Muslims have to donate some of their income to charity, and that goes through the sharia banking system. Usually, the clerics who decide where this '*charity*' money should go are advocates of terror like Sheik Yusuf

Qaradawi, who supports suicide bombing in Iraq and Israel; and Sheik Muhammed Taqi Usmani, who ran a madrassa that supported the Taliban, yet sits on the sharia supervisory board of the Dow Jones Islamic Index Fund.

Many charitable donations are directed to terrorist organisations like Hamas and Hezbollah. This influence was clear when the banks refused the BNP, a legal political party, banking facilities.

Brown is giving Muslims more influence over our lives yet knows that terrorists are organising to go to war with us because he is regularly briefed by the Secret Services. The growth of terror cells was revealed in a leaked Government intelligence report states that secret al-Qaeda cells in London, Birmingham and Luton are planning mass-casualty attacks, reported the Telegraph of 9 Nov 2008.

The document was compiled by the intelligence branch of the Ministry of Defence, MI5 and Special Branch. It reveals that "*some thousands*" of extremists are active in the UK. They are mainly born here and aged between 18 and 30. Many are thought to have been trained abroad in terrorist camps.

The report "*International Terrorism*", states: "*For the foreseeable future the UK will continue to be a high-priority target for international terrorists aligned with al-Qaeda. We are under threat from "British nationals", including Muslim converts, foreign terrorists based here and terrorists planning attacks from abroad.*" It notes that the threat from the Islamist terrorists in the UK is "*diverse and widely distributed*" and that the numbers of terrorist in Britain is "*difficult to judge*". The document does state, that the Joint Terrorism Analysis Centre, which is based in MI5's headquarters at Thames House in London, estimates "*some thousands of extremists in the UK committed to supporting Jihadi activities, either here or abroad*".

Jonathan Evans, the director general of MI5, said last year they had identified at least 2,000 men and women who were a risk to national security and public safety.

Home Office figures record that since 2001, over 1,200 terrorist suspects have been arrested, over 140 charged and more than 45 convicted of terrorism offences. It is also estimated that there are 200 terrorist networks functioning in Britain today who are involved in at least 30 plots.

This shows the number of terrorists threatening the UK is growing. The majority of extremists are British nationals of south Asian, mainly Pakistanistani origin but there are also extremists from north and east Africa, Iraq and the Middle East, and a number of converts.

Knowing this, in November 2006, the Government were advertising for immigrants by placing an Home Office pamphlet '*Multicultural Britain - A Land Of Immigrants*' encouraging immigrants to come here because of the Human Rights Act and well-paid jobs, in embassies across the world including those where terrorists come here from. The advert was first discovered in the Embassy in Pakistanistan!

The overwhelming majority of Muslims at war with us are of active service age - 18-30. "The main concentrations are in London, Birmingham, with significant terrorist networks in the South East, notably Luton. These enemy networks are spreading their propaganda, training more terrorists, fund raising from local council grants, lottery; and, procuring non-lethal military equipment to support Jihads in Pakistanistan, Afghanistan and Iraq, against our soldiers and sending recruits to the conflicts.

MI5 believe that the risk of terror attacks by Islamist is widespread. To combat this, MI5 has nine regional offices and has nearly doubled its staff from 1,800 in 2001 to 3,500

today. But is recruiting from Muslim communities and allowing itself to be subverted. The elites play down the number of Muslims in Britain but we know it is many more than 1.5million. At least a million live in London. There are c150,000 Muslims in Birmingham and a further c27,000 in Luton. There are an estimated 10,000 Afro-Caribbean Muslims or white converts.

Luton has a growing Muslim population and has been a hot-bed of radical activity. The extremist group al-Muhajiroun is active in the town but the police ignore them. The 7/7 bombers gathered in Luton, to travel to London to kill people. Yet the Government still encourage them to pour into the country!

The ethnic cleansing of non-Muslims in Luton shows police complicity. The Muslims are attacking people from all races and are trying to ethnically clear a West Indians in Luton by throwing bricks through their windows. The police have been ignoring it, but TV showed a residents meeting with episcopalian Bishop Blake asking the police what they were going to do about it. (1)The police have "*Hate Crime officers*" to harry and persecute any who try to expose what Muslims are doing!

Some of the terrorists involved in the plot to bring down airliners using liquid bombs came from London, where a bomb factory had been established. In Birmingham, a bulkhead of Muslim territorialism is where the kidnaping of a Muslim in the British army was planned.

The leader Parviz Khan, who was financed by state benefits, formed a terrorist cell intended to video the execution and release the film on the internet.

It is senior Government ministers who encourage terrorists to come here. Yahoo news of 11 November 2008 reported that a Hizbollah radical was allowed to enter the UK after ministers announced a crackdown on extremists. Ibrahim Mousawi spoke at a conference at the School of Oriental and African Studies in London. Mr Mousawi, a former editor of Hizbollah's television channel, is a "*well-known extremist*", The armed wing of the Middle Eastern Islamic group is on a Home Office list of proscribed terror organisations. Yet, Home Secretary Jacqui Smith, had announced that extremists would have to prove their innocence under new rules and promised to publish a list of banned individuals!

Our elites act in consort with Muslims in changing our ways to be more suitable for their children. Rowan Williamse, Archbishop of Canterbury, was quoted in the Daily Mail of 5th July 2008 as saying Christian doctrine is offensive to Muslims, and criticising Christianity's history for its violence, its use of harsh punishments and its betrayal of its peaceful principles. He sent a conciliatory letter to Islamic leaders calling for an alliance between the two faiths for 'the common good'. What a traitorous, evil man!

Our rulers are also allowing Muslims to take over our legal system. The Sunday Times September 14th 2008 reported Islamic law has been officially adopted in Britain. The government has secretly sanctioned the powers for Sharia judges to rule on cases ranging from divorce and financial disputes to those involving domestic violence. Rulings issued by a network of five Sharia courts are enforceable by the judicial system, through the county courts or High Court. Before this rulings of Sharia courts in Britain could not be enforced, and required voluntary compliance among Muslims. It has now come out that Sharia courts with these powers have been set up in London, Birmingham, Bradford and Manchester with the network's headquarters in Nuneaton, Warwickshire. Two more courts are being planned for Glasgow and Edinburgh.

The authorities are also encouraging anti-Semitic attacks in Britain which has reached its second-highest level ever(17 May 2008. The Independent). Figures show 547 such incidents were recorded last year, of which a record 114 were violent assaults. The Community Security Trust (CST), which protects the Jewish community, counted every

recorded anti-Semitic assault, threat, act of abuse and damage or desecration of Jewish property across the country. Mark Gardner, a spokesman for CST, said: "the usual allies of British Jews fear showing support would further the Zionist cause. In the 1990s, when Jews faced attacks from the far right there was a lot of sympathy from the liberal left establishments, but today the same voices simply see anti-Semitism as something useful to Zionists."

The Miami Herald (October 10, 2004) had an article, "French Jews Escape to United States," giving copious examples of French Jews who moved to southern Florida because of their fears of the militant Muslim minority in France.

At the same time the Government and other authorities persecute opponents of this collusion. "Chris Keates, the general secretary of the National Association of Schoolmasters Union of Women teachers, said: "Those who declare their affiliation to the BNP should not be allowed to work in the teaching profession or in public services." The Royal Institute of British Architects is persecuting BNP members. Any candidate for election to RIBA's council has to declare whether or not they are BNP members. Compare this to anti-Jewish legislation in pre-war Germany. (5)

The police not only ignore Muslims grooming our young girls but also the selling of heroin and crack. They collude with Muslim extremists and persecute those who try to warn about the dangers - police raided Blackburn BNP organiser Robin Evans and Pendle councillor Brian Parker at dawn on suspicion of distributing a leaflet showing that Muslim gangs distribute heroin. The police told Mr. Parker's wife that it is over the heroin leaflet, but a Crown Prosecution Service spokesperson told the Muslim News in October 2008, "We looked at the evidence and concluded that there was not sufficient evidence to advise the police to prosecute on ground of racial hatred." The leaflet reveals to the public that Muslim gangs are "almost exclusively responsible" for the heroin trade, of which 95% comes from Afghanistan and Pakistanistan.

At the same time up to eight serving police officers and civilian staff are suspected of having links to Al Qaeda. Some are thought to have attended terrorist training camps in Pakistanistan and Afghanistan. The names of these officers were featured on a dossier, drawn up with the help of MI5, that was instigated because of fears that Muslim terrorists were taking advantage of the "positive discrimination" schemes used by the police to attract more ethnic staff. (3)

It is clear that by their own logic the British police can not be trusted to uphold the law fairly and impartially as they are witchhunting certain types of people from the force and giving preferment to Muslims terrorists! The real intention is shown because al-Queda officers were not sacked, because the police said that they lacked the "legal power" to dismiss them.

They claim Classified intelligence reports raising concerns about police officers affiliations with Muslim terrorist cells can not be used to justify their dismissal, but a detective inspector serving in the professional standards department of a Midlands force is checking the leaked BNP members list against his force personnel records. He said: "Even people on the list who are lapsed members of the BNP, or who have just approached the party expressing an interest in joining, will be of interest to us."

This a clear insight into the fact that the practice of police work is governed by institutional prejudice against "whites". Officers are banned from joining or promoting the BNP because they would not uphold the law in a multi-racial society impartially. By their own logic employing al-Queda members or supporters suggests the police do are not really fighting terrorism but the British people who oppose it. In fact Prime Minister Gordon Brown who collaborates with the Saudis appointed John Cruddas MP to spearhead

a campaign against "the far right".

Sources:

1. <http://www.dailymail.co.uk/news/article-466832/Eight-Al-Qaeda-fanatics-working-police-dont-dare-sack-them.html>
2. <http://www.dailymail.co.uk/news/article-....king-police-don't-dare-sack-them.html>
- <http://www.bedsonsonday.com/bedsonsonday-news/DisplayArticle.asp?ID=248045>
- <http://www.lutononsunday.com/lutononsunday/DisplayArticle.asp?id=248100>
- http://www.cogichq.co.uk/Text/bishop_a.htm
- <http://59.337.18.056subf19:RCpljub684165144671T5>
- <http://www.yoel.info/demographicjihad.htm>
3. <http://www.independent.co.uk/news/uk/pol....rs-1026311.html>
4. <http://www.guardian.co.uk/politics/2008/nov/19/thefarright-freedomofinformation>
5. <http://www.ushmm.org/wlc/article.php?ModuleId=10005681>

2.61 Kosovo - Just another step in the Islamisation of Europe

Has the world gone crazy or is there a master plan that the super powers have in mind so intricate that the common people cannot comprehend? This is the question I have been asking myself during the last couple of weeks while following closely the development of the drama in Kosovo. The opinion that Kosovo's unilateral declaration of independence is illegal is shared by many countries in the world since it blatantly defies international agreements. For some inexplicable reason, the US and the big West European countries embraced the self proclaimed independence of this province in the Balkans inhabited by clans of ruthless terrorists. I am sure that many people are raising their eyebrows right now so I will provide some historical evidence to back my judgment since I know for a fact that many people not only in the US but also in Europe are grossly misinformed on this issue.

Tony Vladov from the Bulgarian daily newspaper Standard gives details on how the notorious Albanian organised crime originated from the traditional family clans. Since the fifteenth century those clans have used a system or rules called "kanun." Similarly to the mafia, each of these families have been controlling and governing certain territory, which in many instances caused bloodsheds among clans. It's suggested that even during the rule of the Albanian dictator Enver Hodja fifteen clans in Albania have been committing illegal contraband operations. Later these criminals expanded their operations and during the political turmoil of 1997 they establish total control of the organised crime in Albania. The same families created the Army for Liberation of Kosovo (AOK), with the simple agenda of making money from the financing of the war with Serbia and to conquer new territories inhabited by Albanians on the Balkans.

The war in Kosovo played a major role for the popularisation of Albanian criminal contractors throughout Europe. Moreover, this changed the route of heroin transportation from the East to the West. Before the war, the drugs used to go through the channel Turkey-Serbia-Croatia and Slovenia. During the war the Albanians guaranteed the safety of the cargos in the military zone and thus achieve total control of the traffic. Immediately after the war, the ethnic Albanians and their fellow relatives from Kosovo were granted a statute of refugees and quickly dispersed throughout Europe. The biggest Albanian colonies put roots in Germany and Switzerland creating a monopoly on the heroin trade. All of the Albanians have always highly respected the clans' hierarchy. For example, the Albanian leader in Macedonia – Ali Ahmeti is a nephew of Fazly Veliu, one of the founders of Albanian Army for Libaration of Kosovo. Furthermore, the Veliu family is closely related to the Djashari clan, which member is Haim Tachi himself. This same person, Mr. Tachi (then leader of the AOK) killed many civilian Serbs during the AOK infiltrations of sovereign Serbian territory. It is also curious that this individual is a close friend of the foreign policy team of the Clinton Administration – Madeline Albright, Richard Holbrook and Wesley Clark.

Until today Albania has been ruled by the terror of the lawless criminal clans and any judge who dared to intervene has being executed. What the world doesn't know is that the fix idea of the Albanians of creating Great Albania is still alive and they are working hard for achieving it. Most families procreate at large scales trying to conquer territories demographically and later through bloodshed. Moreover, Albanians are spread all over Europe and especially in the criminal underworld. They are notorious for their effectiveness, unpredictability and incredible cruelty. Their main advantage to the other organised crime is the fact that they speak language nobody understands, their organisation is based on family ties and if someone dares to speak out that person is being brutally murdered. In Europe, today the Albanian mafia is the main engine of traffic of drugs and humans, theft and falsification of passports, weapons and human organs trade, abductions, extortions and executions. In London these people control the entire network of prostitution, in Italy and Greece they deal with weapons and drugs' smuggling. There are entire towns in Italy where the business is controlled by Albanians.

In the US there are more than 150,000 Albanian immigrants from Kosovo, Macedonia, Montenegro and Albania.

Moreover, here is another interesting piece of information about the “unprivileged” Albanians. In 2002, soon after the invasion of Albanian terrorists in Macedonia, the local government presented a 79 page report to the CIA, which highlighted the collaboration of Albanians and Al Qaida on the Balkans. Since 1999 only in Kosovo there have been built 24 Wahabit mosques, 14 orphanages, and 24 elementary schools sponsored by the Wahabit network. The situation in Albania is similar where the religious leader is a disciple of the Wahabits of Saudi Arabia. Wahabism is a fundamentalist movement in the Islam and is the main inspiration for the terrorists from Al Qaida. Although this doesn’t mean that all Albanians will become terrorists, it poses a great danger to the world since there are conditions for the creation and spreading of terrorist cells in the Albanian society.

Why am I providing all this background information? I am just trying to explain why independent Kosovo is so dangerous for the cultural and social integrity of Europe. The Albanians and other Muslims for that matter have been refusing for years to integrate in the European society. The problems they have created in the UK, Italy, France, Germany, the Balkans and many other places are countless. The world saw what happened in Paris and Germany few years ago. Last year, Albanian refugees from Kosovo tried to commit a terrorist attack on an American military base in the US! In 2001 the AOK army invaded Macedonia and destroyed Christian monasteries from the 12th century. Thanks to these ‘peace’ loving individuals we can’t bring liquids on the aeroplanes today. I can only hope that Turkey never gets to join the European Union or as Nicholas Sarkozy once said, one day we will have to explain to our children why Beirut and Damascus should be in Europe.

Based on all of the above facts I don’t understand why the US, France, Italy and Germany accepted the unilateral proclamation of independence of Kosovo. Is the memory of these nations so short or do they have a secret agenda? The US similarly to Russia actually has always tried to split countries and regions so it can have more power over them. The examples in history are many – the coup in Iran that brought to power the Ayatollahs, the war in Iraq, the bombing of Serbia in the 90’s. In the age we live in, however the time has come for the world powers to make a decision. Are they going to work together in order to promote and conserve western values, traditions and cultures and protect their people from the imminent threat of the dark force that is trying to undermine all things civil we believe in or are they going to use the Muslim card in the fight for power among themselves? Only time will show, but I truly hope that future generations in Europe don’t have to wake up every morning by the sounds of Muslim prayers and read re-written history books.

Source:

<http://bnp.org.uk/2008/03/kosovo-just-one-step-in-the-islamification-of-europe/>
By American Diario de America (America’s Daily)

2.62 The Norwegian Inquisition - Sunset in the Land of the Midnight Sun

By Fjordman



Stortinget, the Norwegian parliament, in April 2005 passed a new Discrimination Act. The act says in pretty clear words[1] that in cases of suspected direct or indirect discrimination due to religion or ethnicity, Norwegians are guilty until proven otherwise. To me, it is surprising that they are allowed to pass such legislation at all. Isn't it a fundamental part of all international law that a person should be innocent until proven otherwise? Aren't our politicians thus depriving Norwegians of even the most basic human rights? However, I have heard claims that it is technically legal to do this. The act was passed in April with the approval of all parties in parliament, more than 80 % of MPs, with the sole exception of the right-wing Progress Party. Immigration spokesman for the Progress Party, Per Sandberg, is deeply disappointed[2] and fears the consequences of the new legislation. "This law will jeopardise the rights of ordinary, law-abiding Norwegian

citizens. The principle of reverse burden of proof means that Norwegians are guilty of discrimination unless they can prove otherwise. It will lead to many convictions of innocent people. Reverse burden of proof is also combined with liability to pay compensation, which means that innocent persons risk having to pay huge sums for things they didn't do."

It is unclear why this act is needed at all, given that a survey of immigrants[3] only a few months ago indicates that a vast majority don't feel they've been discriminated against in Norway. Racism appears to be less widespread than earlier believed. And why on earth are we supposed to show this ridiculous reverence and respect for their utterly failed Islamic cultures in the first place? Why should people who come from some of the most advanced countries on the planet have to crawl for those who come from the most backward ones? If their Islamic societies are so great, how come people from these countries burn their passports and treat their fingers with acid to remove fingerprints, all in order to get into ours?

"Anti-racist" organisations are given a significant role in the new law. There is a new, state-sponsored Equality Ombudsman who will be responsible for enforcing it, and coerce all employers who refuse to abide by it. A multicultural Inquisition, in other words. Cabinet minister Erna Solberg, who has earlier called for the establishment of a sharia council[4] in Norway, proposed the new act. It will cover everything from the workplace to the housing market. In a recent case, a local furniture store wouldn't allow a female employee to wear a head scarf, arguing that it violated the store's dress code. Solberg's proposal will toughen the law[5], and also **require those charged to mount proof of their innocence**. Solberg argues that existing law already makes it illegal for employers, for example, to prevent women from wearing head scarves if their religion calls for it. Her proposed law "would make this even more clear." This law could open the floodgates for all kinds of unreasonable demands from Muslim immigrants in particular, who will be given a licence for extortion of employers, courtesy of the Norwegian parliament. For instance, it is likely that they can now claim that it is "discrimination" if they don't have a special prayer room provided. Already, Muslim taxi drivers demand a separate prayer room[6] at Oslo Airport, where they can pray during working hours, but have received a negative answer. The leader of the Somali Taxi Association, Ali Hassan, finds this discriminating and unacceptable, and is planning a law suit over the matter: "We think we have a right to pray during working hours. We demand to get a room where we can perform prayers, without losing our spot in the taxi queue." At the same time as this is going on, blind people with their guide dogs[7] are finding it increasingly difficult to get a

taxi ride in the Oslo region, where Muslims make up a high percentage of cab drivers.

It is frustrating that Norwegian authorities make it mandatory for all non-Muslims to accept hijab, the Islamic veil, in their workplace. Many non-Muslims find hijab offensive, and even some Muslims, too. The veil, is not "just a piece of cloth". It serves as a demarcation line between proper, submissive Muslim women and whores, un-Islamic women who deserve no respect and are asking for rape. The veil should more properly be viewed as the uniform of a Totalitarian movement, and a signal to attack those outside the movement. An Islamic Mufti in Copenhagen, Denmark, sparked a political outcry after publicly declaring that women who refuse to wear headscarves are "asking for rape." [8] Apparently, he isn't the only Muslim in Europe to think this way. Norwegian newspaper Dagbladet reported in 2001 that 65 percent of rapes in Oslo [9] were performed by "non-Western" immigrants – a category that, in Norway, consists mostly of Muslims. The article quoted a professor of social anthropology at the University of Oslo, Unni Wikan, as saying that "Norwegian women must take their share of responsibility [10] for these rapes" because Muslim men found their manner of dress provocative. The professor's conclusion was not that Muslim men living in the West needed to adjust to Western norms, but the exact opposite: "Norwegian women must realise that we live in a multicultural society and adapt themselves to it." In January 2005, Norwegian media reported [11] that 2004 saw the highest number of rape charges ever recorded in the capital city of Oslo. Strangely enough, there was now no mentioning of how immigrants were grossly overrepresented in rape cases. Why not? Unless there has been a sudden and unexplained drop in the number of immigrants raping Norwegian women between 2001 and 2004, which is unlikely, the statistics should be at least as staggering in 2005 as they were before. If they are not revealed, it can only mean that "somebody" didn't like the numbers [12] presented in 2001, and decided to bury them. That "somebody" must be a person high up in the police hierarchy, maybe even in the government. The same thing happens in Sweden [13]. So in the end, the safety of young Scandinavian women is sacrificed in order to keep the glossy image of a multicultural society intact.

Militant Islamists like Mullah Krekar [14] do reside in Norway. Besides, Norwegian police have already issued a mobile security alarm [15] to Progress Party leader Carl I Hagen. They worry that he's a target for terrorists unhappy with some anti-Islamic remarks he made last summer. Hagen criticised Islam, and could see no similarity with the concept of moral and justice found in Christianity. Hagen also said that if Israel loses [16] in the Middle East, Europe will succumb to Islam next, if Islamic fundamentalists have it their way. Christians should support Israel and oppose Islamic inroads [17] into Europe. In an unprecedented step, a group of Muslim ambassadors [18] to Norway blasted Carl I Hagen in a letter to newspaper Aftenposten, claiming he had offended 1.3 billion Muslims around the world. Pakistan's ambassador in particular has interfered in unacceptable ways in Norwegian internal affairs before, trying to instruct and intimidate a Norwegian politician of Pakistani origin who dared to voice her support for banning Islamic veils from Norwegian schools. [19]

Dr. Ole Jørgen Anfinsen, editor, HonestThinking.org [20], believes that Norwegian authorities have cheated with prognoses for the number of immigrants. According to his numbers, ethnic Norwegians will become a minority in their own country before 2050 if the current trends continue. The number of Muslims in Norway over 15 years has quadrupled [21], meaning an annual growth of more than 9%. A Norwegian researcher warns that ethnic gangs [22] can give Norway the kind of immigrant-related organised crime that accompanied waves of migration to the USA. Dr. Inger-Lise Lien concludes that the ethnic groups themselves are worried. Oslo, which used to be a safe Scandinavian city, today looks more like New York City pre-Giuliani. Native Norwegians are quietly moving out [23] of the immigrant ghettos in inner-city Oslo in large numbers. Tensions with immigrants have spread even to smaller towns [24]. The trend is identical to what can be seen in neighbouring Sweden, where several cities are now on the verge of collapse [25]. Norway has already experienced what seems to have been an attempted

Islamic terror attack[26]. At the same time, there is new legislation proposed against "discriminating" statements[27] made about specific groups, even on Internet discussion forums and websites. Which means that Norwegians can't say too much about Muslim immigrants destroying the country, because that is racism and thus illegal. At a time when the multicultural ideology is increasingly seen as a mistake in many countries, the authorities here respond by making it the official state ideology and banning all opposition. The heavily left-leaning Norwegian media are remarkably quiet about this, and do not make a fuss about this infringement of freedom of speech.

Scandinavia is a Utopia lost. Previously quiet Scandinavian nations now suffer Islamic terror threats and death threats[28] against people criticising Islam. Norway celebrates 100 years as an independent state[29] this year. Judging from this new discrimination act and the runaway Muslim immigration, perhaps the anniversary should be called "From independence to colonisation". At the same time as their women are no longer safe in the streets because of immigrant gangs, the authorities respond by making Norwegians de facto second-rate citizens in their own country. They use their own people as stepping stones for their personal careers in the UN bureaucracy. Pompous, hypocritical Scandinavian clowns, lecturing about how to create the perfect society while their own citizens find it increasingly hard to live in their major cities.

To Americans out there: Tired of hearing Europeans criticise you and how "fascist" your administration is? Well, it wasn't the USA that just passed a law - with the support of more than 80 % of the lawmakers - that states that their own citizens are guilty until proven otherwise. Want to get even with some smug anti-American Europeans? Here's your chance. Leave a message on my Fjordman blog if you want to write something about this case. I will try to help with translations as much as I can. There is unfortunately no shortage of material.

Source:

<http://fjordman.blogspot.com/2005/05/norwegian-inquisition-sunset-in-land.html>

1. http://www.stortinget.no/cgi-wift/wiftldles?doc=/usr/www/stortinget/beso/beso-200405-067.html&emne=diskrimineringsloven&ting=beson+besog+belsn+beslg&sesjon=*&#map10
2. <http://www.frp.no/article/?id=16306>
3. <http://www.aftenposten.no/english/local/article926597.ece>
4. <http://www.dt.no/apps/pbcs.dll/artikkel?AID=/20031106/NYHET/111060264/->
5. <http://www.aftenposten.no/english/local/article702138.ece>
6. <http://pub.tv2.no/nettavisen/innenriks/article337934.ece>
7. <http://fjordman.blogspot.com/2005/04/norway-blind-people-rejected-by-muslim.html>
8. http://jimball.com.au/features/Political_uproar_over_mufti's_remarks_-The_Copenhagen_Post.htm
9. <http://www.aftenposten.no/english/local/article190268.ece>
10. http://windsofchange.net/archives/2002_07_21_woc.html#79347827
11. <http://www.dagsavisen.no/innenriks/article1417421.ece>
12. <http://fjordman.blogspot.com/2005/03/norway-rapes-continue.html>
13. <http://fjordman.blogspot.com/2005/02/muslim-rape-epidemic-in-sweden-and.html>
14. <http://www.jihadwatch.org/archives/000680.php>
15. <http://www.aftenposten.no/english/local/article860793.ece>
16. http://www.norwaypost.no/content.asp?folder_id=1&cluster_id=25780
17. <http://www.aftenposten.no/english/local/article829008.ece>
18. <http://www.aftenposten.no/english/local/article836294.ece>
19. <http://www.aftenposten.no/english/local/article758943.ece>
20. http://honestthinking.org/en/pub/VG.205.05.15.OJA.Cheating_with_immigration_numbers.htm
21. <http://blog.bearstrong.net/001579.html>
22. <http://www.aftenposten.no/english/local/article856476.ece>
23. <http://www.dagsavisen.no/innenriks/article978591.ece>
24. <http://www.aftenposten.no/english/local/article889813.ece>
25. <http://fjordman.blogspot.com/2005/05/is-swedish-democracy-collapsing.html>
26. <http://www.aftenposten.no/english/local/article880632.ece>
27. <http://www.dagbladet.no/nyheter/2004/12/17/417876.html>
28. <http://www.aftenposten.no/english/local/article1024117.ece>
29. <http://fjordman.blogspot.com/2005/05/norwegian-national-day-17th-of-may.html>

2.63 The Anti-Racist Witch-Hunts

By Fjordman

The leading Norwegian blog Document.no[1] tells the horrifying story about how two decent white men in 2007 were attacked by a media lynch mob for their supposed "racism." As it turns out later, the mainstream media didn't present nearly all of the information relevant to the case at the time, which didn't prevent them from nearly destroying these two men. This happened at the same time as there is a growing wave of crime and violence targeting the natives. The response of the authorities to rising levels of racist violence targeting the natives has been to increase crackdowns on "racism" – by the white natives. In 2005 the Norwegian parliament – with the support of 85% of MPs – passed a new Discrimination Act[2], prepared by then Minister of Integration from the Conservative Party, Erna Solberg, who had earlier called for the establishment of a sharia council in Norway.

A spokesman for the right-wing Progress Party, Per Sandberg, feared that the law would jeopardise the rights of law-abiding citizens. Reverse burden of proof is combined with liability to pay compensation, which means that innocent persons risk having to pay huge sums for things they didn't do. If an immigrant claims that a native has somehow discriminated against him or made a discriminatory remark, the native person has to mount proof of his own innocence. This harsh law was passed despite the fact that most immigrants themselves claimed they had encountered little discrimination.

I have later discovered that similar laws have been passed across much of Western Europe, encouraged by the EU and the Council of Europe (CoE) in cooperation with international Islamic organisations. The Norwegian law followed an initiative from the CoE. There was virtually no public debate about this law, which was passed in relative silence prior to the national elections that year. Not a single journalist genuinely criticised it, and most barely mentioned it at all before it was passed. The same journalists otherwise tend to be very concerned about the legal or "human rights" of Islamic terrorists, but apparently not of their own people.

The Equality and Anti-discrimination Ombud[3] Beate Gangås, a white lesbian feminist, before the municipal elections in 2007 warned all political parties against making "discriminatory" remarks regarding immigration policies, but called for actively reducing[4] the number of white, heterosexual men in politics. There was little real debate about immigration in the heavily left-leaning media that year, but an all the more passionate witch-hunt looking for racists, and by that I mean whites only. The left-wing coalition government, after a meeting with immigrant organisations, announced that racists, apparently meaning white natives only, should be "smoked out"[5] of all public sector jobs.

The same government in October 2008 funded[6] a conference in Oslo involving "dialogue" with a number of hardline sharia-sponsoring groups from the Middle East, including the Egyptian branch of the Muslim Brotherhood. The section *Fred og Forsoning* ("Peace and Reconciliation") of the Foreign Ministry financed the research project "Fault Lines of Islamism" [pdf][7] led by Bjørn Olav Utvik of the University of Oslo. Gry Larsen from the Labour Party, representing the Ministry, was scheduled to meet with representatives of these groups. The left-wing government can thus meet with radical Islamic groups, but want to silence those among the natives who don't want Muslims with such views to settle in their country. No "dialogue" with them.

Two ambulance drivers in Oslo, both of them white native Norwegians, were in August 2007 involved in what became a massively hyped case supposedly involving "white racism." The ambulance had arrived to pick up an African man who was injured. As ambulance driver Erik Schjenken[8] months later explained, the man "pulled down his

pants and urinated on my colleague's leg. My colleague was surprised, pulled away and called him a pig. That's when we viewed the man as a problem, and decided it was best if the police took him to the clinic." Ali Farah, the Somalian man in question, had more severe head injuries than the drivers assumed at that point. "We made a mistake, because we interpreted his urination as willful and a provocation, but NOT because we had racist or discriminatory motives," Schjenken wrote.

Based on weak suspicions of "racism," the mass media, leading intellectuals and politicians launched what can only be described as a witch-hunt against the two ambulance drivers. "This would never happen to a white man," said the prominent Norwegian-Pakistani lawyer Abid Q. Raja[9], representing Farah and his family. Author Anne Holt, who once served as Minister of Justice for the Labour Party, wrote an essay in newspaper *Aftenposten* which in my view amounted to a verbal execution of the drivers. Both of them were suspended from service and became the target of widespread, negative media coverage. They were later cleared after an investigation of the incident by the Norwegian Board of Health Supervision. However, the Equality and Anti-Discrimination Ombud, or the Multicultural Inquisition as I like to call it, ruled that Farah was a victim of discrimination and that the ambulance personnel broke the anti-discrimination laws. As noted before, the anti-discrimination law states that natives are guilty of "discrimination" almost as soon as they are suspected of it.

It should be mentioned here that this African man was injured in the first place because he was beaten by another African man, from Ghana[10]. In Norway, a country straddling the Arctic Circle and with no colonial history, one African man beats another African man, and the result is that the white ambulance drivers, who have dedicated their lives to helping other people, become the targets of a lynch mob led by the country's media. Driver Erik Schjenken needed professional help as he was brought to the brink of suicide.

According to Hans Rustad from the major blog Document.no[11], the ideology of anti-racism in some cases resembles what we have seen from Communists regimes. The term "racist" is similar to being called a "class traitor" under Communism. The mere accusation is powerful enough to destroy lives. Rustad fears that anti-racism in some cases leads to lawlessness. Ambulance driver Schjenken was a well-regarded employee who had performed thousands of calls and saved many lives, yet because of one error of judgment, which in my view was understandable given the situation, his life was ruined. All because he had a politically incorrect skin colour while the other person was non-white.

What makes this even more absurd is that in Norway, as throughout the Western world, white-on-non-white violence is exceedingly rare. The vast majority of racism and racist violence comes from non-whites against whites, or between different groups of non-whites. In Oslo, young girls are raped; schoolchildren are threatened with death, robbed and assaulted. The police have warned against "an alarming rise in street violence" in urban areas across the country. This is directly caused by mass immigration, which is nevertheless still championed by the very same media who attacked these two ambulance drivers.

For instance[12], a 17-year-old Somalian was convicted of the rape of a young girl in Oslo. The court stated that the rape was unusually brutal and lasted for several hours. The man choked the girl for so long that the medical doctor who examined her said that she could have died. The girl suffers from severe psychological problems in the aftermath of the attack. The African youth was sentenced to four and half years in prison. This sentence included another rape, where his Norwegian-Moroccan friend raped a 13-year-old girl whilst the Somalian helped to threaten her and keep guard. She has naturally been traumatised from the incident.

Numerous natives have had their lives ruined by similar attacks, yet anti-white racism is rarely mentioned as a problem by the mainstream media. Whites are apparently fair game. The more vicious the rapes, muggings, and stabbings targeting whites in their own country get, the more aggressive and hysterical the witch-hunt on "white racism" becomes. French philosopher Alain Finkielkraut[13] has warned that "the lofty idea of 'the war on racism' is gradually turning into a hideously false ideology. And this anti-racism will be for the 21st century what Communism was for the 20th century: A source of violence."

Professor Sigurd Skirbekk[14] of the University of Oslo notes that "In 1994, the German periodical Focus pointed to opinion polls taken in Germany, France and England in which 55, 52 and 50 per cent, respectively, felt that their countries accepted too many immigrants. From Norway we have a representative study from 1987 which showed that 51% of the people felt that the country should accept fewer immigrants; 25% felt that politicians should stick to current practice, while only 8% wanted to accept more immigrants. A similar study in Sweden, made a couple of years later, showed that 54% of Swedes felt that too many people were immigrating to Sweden. In later studies the figures have varied somewhat; but there have always been more people who have favored a restrictive policy than those who favored liberalisation." Thus, according to Skirbekk, "*the extent of recent immigration cannot be explained on the basis of popular opinion* [my emphasis]."

Skirbekk wonders[15] whether there is a quasi-religious undercurrent to the anti-racist movement, and that it is quite literally the equivalent of the witch-hunts of previous ages:

"A number of researchers have come to see that certain issues in the migration debate has religious connotations. The Norwegian social anthropologist Inger Lise Lien, for instance, has written that 'racism' in the public immigration debate has become a word used to label the demons among us, the impure from whom all decent people should remain aloof. We have every reason to believe that the use of the term 'racist' in our day has many functional similarities with the use of the word 'heretic' three hundred years ago....It is presumably fully possible to join anti-racist movements with the sole motive of identifying with something that appears to be politically correct, or in order to be a part of a collective that entitles one to demonstrate and to harass splinter groups that no one cares to defend." But "behind the slogan 'crush the racists,' there might well be something more than a primitive desire to exercise violence. The battle also involves an element of being in a struggle for purity versus impurity. And since racism is something murky, anti-racism and the colourful community it purportedly represents, becomes an expression of what is pure."

The Norwegian left-wing author Torgrim Eggen[16] warns against "race wars" brought about by mass immigration yet continues to support it. Questioned about what we can do to avoid this scenario he states: "That's a very stupid question to ask to an author. This presupposes that I want everybody to be happy, have a good time and don't have any problems. If so, what do they want me to write about?"

I will give him credit for his honesty: This is the most frank admission I have seen of the fact that some people don't WANT society to be harmonious; they think it's boring. There is no worse fate for a self-professed intellectual than to live in a nation that is by and large prosperous, peaceful and well-functioning because nobody will care about his advice or follow his guidance, as is befitting a person of his intelligence.

During the Multicultural craze of the 1990s, Eggen in an essay entitled "The psychotic racism[17]" warned against turbulence caused by mass immigration. The solution to this was not to limit immigration, but to limit criticism of immigration. According to him,

xenophobia and opposition to mass immigration should be viewed as a mental illness, and hence "the solution to this xenophobia is that you should distribute medication to those who are seriously affected. I have discussed this with professor of community medicine, Dr. Per Fugelli, and he liked the idea." Mr. Fugelli suggested putting anti psychotic drugs in the city's drinking water.

This may sound too extreme to be meant seriously, but Fugelli has continued to chastise those who are critical of national immigration policies. Eggen warned that arguments about how ordinary people are concerned over mass immigration shouldn't be accepted because this could lead to Fascism: "One should be on one's guard against people, especially politicians, who invoke xenophobia on behalf of others. And if certain people start their reasoning with phrases such as 'ordinary people feel that,' one shouldn't argue at all, one should hit [them]."

Thomas Hylland Eriksen, professor of social anthropology at the University of Oslo, heads a multi-million project[18] sponsored by the state trying to envision how the new Multicultural society will work. He is a career multiculturalist and intellectual celebrity in his country, a frequent contributor to the public debate and lives, according to himself, in a boring, monocultural part of the city, insulated from the effects of cultural diversity. Hylland Eriksen has proclaimed the death of (Western) nations as if he derives pleasure from it, and has stated that the Nidaros Cathedral (*Nidarosdomen*), the most prominent church in the country, should no longer serve as a national symbol in our Multicultural society.

Mr. Eriksen has clashed with Ole-Jørgen Anfinsen, who runs the bilingual quality website HonestThinking.org and warns against the effects of uncontrolled mass immigration. According to[19] Hylland Eriksen, "Cosmopolites insist on a world comprising of more colours than black and white. In such a world, the problems presented by Ole-Jørgen Anfinsen are not just petty, but irrelevant."

What are the problems presented by Mr. Anfinsen? Well, he has published numbers indicating that if the current immigration continues, native Norwegians will be a minority in their own country within a couple of generations. Given the fact that ethnic groups who become minorities in their own lands usually have a hard time, and always get persecuted when the newcomers are Muslims, one would assume that this would be interesting information. But for self-proclaimed "Multicultural cosmopolites," it is "petty and irrelevant" to even consider that this could represent a problem. Eriksen calls Anfinsen "stupid and ignorant," and hints that "Maybe Anfinsen's agenda is inspired by a kind of perverted Christianity (he has a Christian background)."

"He has a Christian background." Is that supposed to be an insult and disqualify a person from worrying about whether his grandchildren will be persecuted? Mr. Eriksen, like other Western multiculturalists, worries about Islamophobia but is more than willing to mock Christianity. A newspaper essay co-authored by Eriksen states that: "Is he [Anfinsen] asking us to once again repeat the obvious in that the murder of Theo van Gogh, various acts of terrorism and death threats against newspaper editors have nothing to do with Islam?"

Nothing to do with Islam? Really?

Mohammed Bouyeri[20], born in Amsterdam of Moroccan parents, killed Theo van Gogh as he was cycling in Amsterdam on Nov. 2, 2004, shooting and stabbing before slashing his throat and pinning a note to his body with a knife. "I did what I did purely out my beliefs," he told judges while clutching a Koran[21]. "I want you to know that I acted out of conviction and not that I took his life because he was Dutch or because I was Moroccan," but because he believed van Gogh insulted Islam in his film criticising the treatment of Muslim women.

So a peaceful Christian man is accused of having a dark, secret agenda, while a Muslim murderer who brags about his Islamic motivations has nothing to do with Islam? A Serbian doctor from the former Yugoslavia, where a Multicultural society recently collapsed in a horrific civil war, warned against the effects of unchecked mass immigration. Thomas Hylland Eriksen responded by chastising her for her "lack of visions[22]."

Apparently, your worth as an intellectual is measured in how grandiose your ideas are. The greater your visions, the more dazzling your intellect is and thus the greater prestige should be awarded to you. Whether those visions actually correspond to reality and human nature is of secondary importance. In fact, many a self-proclaimed intellectual will be downright offended by the petty considerations of his more pedestrian fellow citizens, concerned with what effects his ideas will have in real life. The fact that some people could get hurt from his ideas doesn't discourage him. Truly great advances for mankind can only be accomplished through sacrifices, preferably made by others than himself.

Those who champion mass immigration take no self-criticism for the violence their policies have brought. On the contrary, they want more immigration. Following the release of a UN population report[23] in 2007 which indicated a global population increase of several billion people over the coming decades, Marie Simonsen, the political editor of Norwegian left-wing newspaper Dagbladet, which has spent decades denouncing the right-wing Progress Party for their "racist" policies of limiting mass immigration, wrote that it should be considered a universal human right for people everywhere to migrate wherever they want to. This would mean virtually certain annihilation for a tiny, wealthy and naive Scandinavian nation. Ms. Simonsen thus endorsed the gradual eradication of her own people, no doubt congratulating herself for her tolerance. Not a single word of protest was voiced by any other journalist to this statement.

"Human rights" was a concept originally intended to ensure liberty. Now it's used to eradicate an entire civilisation, in the name of tolerance and diversity, and the natives are specifically banned from protesting against this.

Source:

<http://www.brusselsjournal.com/node/3576>

1. http://www.document.no/2008/10/den_som_har_makt.html
2. <http://fjordman.blogspot.com/2005/05/norwegian-inquisition-sunset-in-land.html>
3. <http://www.ldo.no/no/Shortcuts/Information-in-english/>
4. <http://www.aftenposten.no/nyheter/iriks/politikk/article1978068.ece>
5. <http://www.nrk.no/nyheter/1.3196286>
6. <http://www.vg.no/pub/skrivervennlig.hbs?artid=530563>
7. http://www.hf.uio.no/ikos/forskning/forskningsprosjekter/utvik/b_o_utvik/faultlines.pdf
8. <http://www.aftenposten.no/english/local/article2355648.ece>
9. <http://www.aftenposten.no/english/local/article1926561.ece>
10. <http://www.aftenposten.no/nyheter/iriks/article2478755.ece>
11. http://www.document.no/2008/10/den_som_har_makt.html
12. <http://fjordman.blogspot.com/2005/07/norwegian-government-covering-up.html>
13. http://fjordman.blogspot.com/2005/12/sarkozy-backs-finkielkraut-over-muslim_09.html
14. <http://folk.uio.no/sigurds/innv/b.html>
15. <http://folk.uio.no/sigurds/innv/f.html>
16. <http://www.gyldendal.no/eggen/Folkehje.html>
17. <http://www.gyldendal.no/eggen/Folkehje.html>
18. <http://www.culcom.uio.no/programmet/programbeskrivelse-eng.html>
19. <http://www.dagbladet.no/kultur/2006/09/23/477597.html>
20. <http://www.jihadwatch.org/archives/007124.php>
21. <http://www.jihadwatch.org/archives/010004.php>
22. <http://www.dagbladet.no/kultur/2005/04/11/428472.html>
23. <http://www.telegraph.co.uk/news/worldnews/1545634/UN-predicts-huge-migration-to-rich-countries.html>
24. <http://40.452.-3.709plusf58:LEzpkor737874243928fJl>

2.64 Discrimination and harassment against cultural conservatives

From a Leftist newspaper:

The Local continues: "Sweden's most popular far-right political party, the Sweden Democrats (Sverigedemokraterna), seems to be coming closer to the mainstream. Yet while the Sweden Democrats' rhetoric and racism of extremist demonstrators may bring uncomfortable echoes of the wartime past, there is one crucial difference: mainstream Swedish society today goes out of its way not to be indifferent."

But they are indifferent. They are indifferent to the multitude of violent attacks and human rights violations the Sweden Democrats are subject to. As Bruce Bawer writes in *While Sweden Slept*:

Only one sizable party in the country, the Sweden Democrats, articulates most Swedes' concerns about their country's immigration and integration policies. Again and again, it has been the object of breathtakingly undemocratic treatment by the political establishment. [...]

Sweden Democrats have been the targets of events that recall China's Cultural Revolution. Staged "people's protests" by members of the 'youth divisions' of other parties have led to the firing of Sweden Democrats from their jobs. A few weeks ago, a junior diplomat was dismissed when it became known that he was a member of the party and had criticised his country's immigration policy. On several occasions, thugs loyal to the ruling parties have broken up Sweden Democratic meetings and beaten up party leaders.

I have written about one such attack[1], which extreme Leftists later openly bragged about on the Internet, around 30 members of the Sweden Democrats were attending a private party outside the town of Våxjö. "To clearly demonstrate that the Sweden Democrats are not welcome in our area, about 20 anti-Fascists chose to attack the party. The Sweden Democrats were attacked with knives, axes, iron bars and other weapons. After that, their cars were destroyed." The brave Leftists then smashed the windows and threw tear gas into the building, forcing people outside, where they were again attacked and beaten with iron bars and axes. Several of the people were hospitalised after the attack. This was a peaceful, private party by unarmed members of a perfectly legal political party that just happens to be critical of the country's immigration policies. These brave Leftists or "anti-Fascists" do, for some curious reason, seem to behave pretty much like, well, Fascists, a bit like the Brown Shirts in the 1930s, physically assaulting political opponents to silence them.



The Swedish newspaper *Expressen* finally warned against the "low-intensity terrorism" conducted by extreme Leftists and neo-Nazis. But they were honest enough to admit that the extreme Leftists have tended to get away with their violence because it has been directed against the despised right-wingers. Now, their violence is increasingly aimed at established political parties and state institutions, too. Political scientist Peter Esaiasson has done research into every election movement in Sweden since 1866. According to

him, the organised attempts at disrupting meetings during the 2006 elections had no parallels in modern history.

Most likely several hundred individuals have for the last few decades experienced cultural Marxist/multiculturalist persecution throughout Western Europe. Here is an example of an individual being fired:

From 2003 to 2006 I worked as a civil servant in the Berchem borough of Antwerp, Flanders. Berchem is a multicultural neighbourhood with many immigrants of Turkish and Moroccan origin. My job was to promote the integration of these people and foster good relations between the different ethnic groups living in Berchem. Prior to 2003 I worked in Antwerp North, another neighbourhood with many immigrants.

During the past years I noted how radical Islamists groups began to take over the immigrant neighbourhoods. I warned for this danger in my reports to the city authorities. The latter made it clear to me that they did not like my reports. They said my reports read like "Vlaams Belang tracts." The VB is the local anti-immigration party. When I kept reporting about what I saw happening around me I was fired[2].

Source:

1. <http://gatesofvienna.blogspot.com/2006/05/new-york-times-and-sweden-dark-side-of.html>
2. <http://www.brusselsjournal.com/node/1970>

2.65 ANTIFA/Labour Jugend – State sponsored Marxist lynch mobs

(Original title: FREEDOM FIGHTING "FASCISTS")

By Fjordman

"The fascists of the future will be called anti-fascists."

Winston Churchill

In late 2007 and early 2008, I was involved in a heated argument with the American blog Little Green Footballs and its owner Charles Johnson. I haven't been thinking much about it since then because it consumed too much energy and I found it to be a waste of time. However, recent events have caused me to look at these issues once more. In the city of Cologne (Köln), Germany, a scheduled anti-Islamisation demonstration was disrupted by an unholy alliance of Eurabian Multicultural elites and extreme Leftist "anti-Fascists." As Thomas Landen puts it in *The Brussels Journal*[1]:

"Last weekend's events in Cologne demonstrate what European conservatives are up against. A conference protesting the building of a mega mosque run by Turkish radicals was violently disrupted by thugs who gained the approval of the local German authorities and the German media. The international media, including the so-called 'conservative' media, have either not written about the Cologne incidents or done so by branding the conservatives as 'Neo-Nazis' and the thugs as ordinary citizens bravely fighting back 'Nazism.' An example of the latter can be found in *The Times of London*[2]."

According to magazine *Der Spiegel*[3], "an estimated 40,000 protesters turned up in Cologne's downtown Heumarkt area, many wearing clown suits, to disrupt the rally. They blocked urban trains to keep delegates away and raided a tourist boat shaped like a whale - called the 'Moby Dick' - where the far-right gathering had been hoping to hold a press conference. A Pro Cologne spokesman said, 'Stones, bricks and paint bombs were thrown and the panoramic windows of the Moby Dick were shattered.' Police cancelled the rally after 45 minutes. Pro Cologne organisers had to dismantle microphones and other equipment in Heumarkt while the overwhelmed riot cops tried to hold back the crowd of protesters."

According to *Der Spiegel*, Police had prepared for about 1,500 far-right activists, organised by the local 'Pro Cologne' movement, to make a public show of discussing what they called the 'Islamisation' of Europe."

As the esteemed American writer and columnist Diana West[4] commented: "The suggestion here is that no non-'far-right activist' could possibly be so 'far right' as to imagine Europe is being Islamised....The point of the anti-Islamisation rally was rational discussion. But Cologne proved it values neither reason nor discussion. 'The city was ready.' For mob rule."

The supposedly conservative newspaper *Die Welt* put up an online poll[5] asking their readers whether they thought it was OK to ban the anti-Islamisation demonstration. According to the major blog Politically Incorrect[6], as of midnight 86% disagreed with this policy. Suddenly, in the middle of the night, thousands of votes miraculously came in and the poll ended with exactly 50% in favor of the ban. *Die Welt* deleted the comment section because many comments criticised the decision to ban the Pro Cologne meeting.

Several eyewitnesses who were present this weekend were shocked by the behaviour of the police, who in their eyes seemed to be acting as a surrogate of the left-wing "antifa" groups (supposedly anti-Fascists, although they tend to behave pretty much exactly like Fascists).

Aviel[7], a Jewish man who was beaten up in Cologne on 20 September, explains:

"My [Jewish] friend, Michael Kucherov was the first casualty here on Friday. He got beaten up for trying to enter the first of our [=Pro Cologne] meetings on Friday. I sorely resent myself for not being there at that time for him. It rips me apart to hear about a Jew being beaten up in the streets of Germany. Well he wouldn't be the only Jew. The next day as I was trying to enter Heumarkt, I was beaten up by Antifa thugs on Eibahnstrasse. In both incidents, as we were being beaten up, they were yelling and screaming 'Nazi' which was quite odd. Michael dressed in a suit but I was wearing my kippa and quite easily identified as a Jew so you can understand how odd it seems to be beaten by Germans in the street and called Nazi when you are Jewish. Anyway, I am going home with a broken rib but my pride still intact. I could have tried to escape or run but no way no how and I going to run or get on my knees for these people. Not this Jew. And one more thing, just let them all know that we (Jews) aren't all soft. Living here in Europe, we battle thugs and islamists all the time and still ask for more. That's why I travelled from France to Germany to make this conference. We are on the frontline of a battle which grows darker by the minute."

A Norwegian man blogging under the name maalmannen experienced something similar and posted many photos[8] from the event[9]:

"On several occasions, I observed people trying to join the demonstration being attacked and chased away by the leftist counter-demonstration. In one case, an old woman carrying a lot of anti-Islamisation posters was attacked by a gang of Antifa activists. The rest of the crowd shouted 'Nazis raus' [Nazis out] when these criminals attacked the old

frau and took all her posters away from her, and then ordered her to leave or risk more attacks."

Spanish writer AMDG from the blog *La Yijad en Eurabia*[10] adds his observations:

"It was obviously not possible to enter the Heumarkt. I tried one of the narrow streets of the old city; there was a line of antifas with black clothing and sun glasses. They have even dared to place one of those plastic red-white stripes in front of them. I told one of them that I wanted to cross, they say no way. One of them spoke Spanish, and I ask her whether she was any authority, she confirmed it 'we are the authority'. A line of anti-riot police agents was only two metres behind them. I can not find a better image of the creeping Eurabian fascism: The police not only do not confront them, they cover their backs. Alternatively, we may think that the antifa-lefty militants are just the stormtroopers (Sturmabteilung?) of the formal police."

A number of those demonstrating for "democracy" and against "extremism" were Communists. I guess a hundred million dead victims of Communism in a few generations isn't a sign of extremism. Some also carried anti-Israeli slogans and merchandise using the icon of Marxist mass murderer and torturer Che Guevara. It is well-known that hardline Marxist[11] organisations are still strong and influential[12] in Germany, as in many other countries.

Many of those present noticed the militant-looking black outfits of some of the extreme Leftist demonstrators, which seemed to match closely with their attitudes. Since the term "Fascist" these days appears to be reserved for anti-Islamists and "racist" critics of mass immigration in general and Muslim immigration in particular, it is challenging to find a proper term for the militant antifa crowd. "Red Nazis" could be useful, but perhaps "blackshirts" is most appropriate, alluding to their black clothing and uniforms.

According to AMDG, "I think that we should repeat this rally every year. We need to show the Europeans that the Nazis and the fascists are the lefties. We can only make it by insisting. We need to join also the counterdemo with banners showing verses of the Koran."

The decision to silence the demonstration against Islamisation was supported by local authorities as well as national and probably supranational ones. Thomas Steg, spokesman for German Chancellor Angela Merkel, stated that Berlin favored "inter-cultural dialogue." The German Interior Ministry, too, criticised the rally, stating that "Such a gathering of populists and extremists harms the co-existence that the city and Muslim citizens have striven for."

Cologne Mayor Fritz Schramma, from the same "conservative" Christian Democratic Party (CDU) as Chancellor Merkel, said on public radio[13] that "We don't want their conference and along with a great majority of Cologne people we'll be obstructing them."

In my view, Cologne Mayor Fritz Schramma is a dhimmi collaborator. His actions betray his city, his country and his civilisation. This was a shameful act of cowardice and appeasement of the Nazis of our time. The true heirs of the Nazis and the Communists, both in totalitarian mentality and in methods, were the blackshirt left-wingers who were present this day, not those who demonstrated against the Islamisation of their continent. Schramma should resign immediately. It is nothing less than an international disgrace that after Germany has been freed from the Nazis and the Communists, the authorities in a major city in the largest country in Europe kneel to totalitarian thugs and allow them to rule the streets.

The blackshirts were deliberately allowed by the authorities to harass those who are critical of the official pro-Islamic policies. This confirms my long-held suspicion that the

extreme Leftist thugs who assault immigration-critics in certain countries are a prolonged arm of the state. The "anti-Fascists" AFA in Sweden, for instance, openly brag about regular physical attacks against people they don't like. They have been doing this for years. The media and the authorities know about it and do nothing. They like it, plain and simple.

The state-sponsored organisation Expo in Sweden co-published a book with AFA on critics of mass immigration. Expo has now provided[14] their material to the largest political party in the country, the Social Democrats, for use against their political rivals. The "respectable," state-funded organisation Antirasistisk Senter, the Antiracist Center in Norway, at their home page link[15] to AFA Stockholm, which they call "militant Swedish anti-Fascists." So they do know they are "militant," but not so much that they won't link to them. They also link to Antifaschistische Aktion (AFA) in Berlin, some of whose members were probably among the brave "anti-Fascists" who assaulted "racist" old ladies and Jewish "Nazis" in Cologne. The other organisations mentioned indicate that these are recommended links, not just "relevant links." This is met with silence from the mass media and the political class.

Norwegian newspaper *Dagens Næringsliv* has earlier[16]exposed the fact that the largest "anti-racist" organisation in the country, SOS Rasisme (the largest of its kind in Northern Europe with 40 000 members), was heavily infiltrated by Communists in the late 1980s and early 90s, in other words, during the downfall of Communism in Eastern Europe. They went directly from Communism to multiculturalism, which indicates that some of them view multiculturalism as the continuation of Communism by other means. SOS Rasisme lynch mobs and activists have on several occasions assaulted cultural conservatives physically and continue to do so. The organisation receives financial aid from the Norwegian government which has totalled several million NOK over the last years. As such SOS Rasisme is an extended arm of the Norwegian Labour party, Socialist Left Party and Rødt which serves the purpose of silencing political dissidents.

The state-funded Islamic Council of Norway admit that they receive "guidance" from the Muslim Brotherhood's spiritual leader Yusuf al-Qaradawi and his Fatwa Council, who are debating whether or not gays should be killed, among other things. He has also supported suicide bombings and marriage to girls aged nine years old. Meanwhile, a Socialist named Lars Gule, who was once arrested traveling to the Jewish state of Israel with dynamite in his backpack with the intention of blowing up stuff, suggested on a major blog that the security services should have me under surveillance because I am a dangerous "right-wing extremist."

One of the foreign visitors, the Flemish politician Filip Dewinter, criticised[17] Cologne Mayor Schramma and compared him to Freddy Thielemans, the Socialist Mayor of Brussels, Belgium, who in 2007 and 2008 banned demonstrations commemorating the 2001 9/11 terror victims in the USA because he didn't want to upset the local Muslims. "Brussels and Cologne have mayors who kneel and submit to Islamisation," Dewinter said.

I checked the front page of the major American "anti-Jihad" website Little Green Footballs (LGF) from Friday 19 to Tuesday September 23 2008 to check what blogger Charles Johnson wrote about the demonstration. As far as I could see, he remained completely silent on the subject, yet there is no doubt that he was aware of the event. On Sep 8 he wrote about Fascists Hijacking Anti-Jihadism in Cologne"[18]" and stated that "Here we go again, as an all-star cast of European fascists hijacks the anti-jihad movement for their own sick political purposes."

One of these "Fascist bastards" (Johnson's words) was Dewinter, with his "Cities against islamisation" project. Mr. Johnson himself noted that the leaders of the Islamic Republic

of Iran, hardly a beacon of tolerance and enlightenment, urged the European Union (not Germany, interestingly enough) to intervene and stop this planned "anti-Islamic" meeting, and Johnson concluded that "The Iranian mullahs couldn't have asked for better propaganda."

The Iranians[19] put pressure on the EU several times and summoned the French ambassador - France held the rotating presidency of the EU - to expressed deep concern over the EU's lenient behaviour toward anti-Islamic sentiments in Europe and suggested that European authorities prohibited the conference. Shouldn't the "anti-Jihadist" Johnson and his followers be concerned over the fact that they end up on the same side as a repressive and terrorist-sponsoring Islamic state against Westerners fighting for their freedom? Apparently not.

Just a few days before this, the "Fascist bastard" Filip Dewinter[20] received the "Oriana Fallaci Prize" in Florence for his work with "Cities Against Islamisation," among other things. The prize is named after the courageous Italian Islam-critical journalist and writer Oriana Fallaci. The irony is that Mr. Johnson kept a photo of Fallaci on his frontpage for several years, but at the time of writing, this photo has suddenly and mysteriously disappeared. I guess Fallaci was a Fascist, too, just like Dewinter, myself and everybody else who doesn't believe in the myth of a moderate Islam. Dutch politician Geert Wilders does not appear to believe in the existence of a moderate Islam, either. When will LGF declare him a Fascist?

The LGF-crowd thinks that Europeans must prove that we are 100% "ideologically pure" before we should be granted the right to fight for our continued existence. Imagine if a house is on fire. The fire brigade has just arrived to put out the fire, but the neighbour won't allow them to use the local water because he fears it may be impure. He will only accept that they use holy water - distilled holy water - and only if it has been blessed by a lesbian priest who supports voting rights for illegal immigrants. Since the firefighters don't have this available, the house burns down, but the neighbour takes comfort in knowing that at least the remaining ash is ideologically pure. This is Little Green Football's attitude to the threat faced by the Western world. In fact, their attitude is to say that the water is more dangerous than the fire itself, and to beat the firefighters with their umbrellas while screaming "Fascist bastards!"

The thinking seems to be that if you scratch any random European there is usually a Nazi lurking underneath, just waiting to get out. There are only two possible versions of Europeans: the surrender-monkeys and the Nazis. If we are not the former, then it follows by logic that we have to be the latter. This attitude betrays an all-pervasive hatred that demonises absolutely anything Europeans do to protect their dignity and heritage. It closely mirrors multiculturalism, which is an anti-Western, but especially anti-European, hate ideology.

One of the reasons why hardcore anti-Semites (David Duke[21] would be a case in point) are unreliable allies is that they hate Jews so much that it shuts down the rational parts of their brain and they end up making common cause with Muslims, based on mutual hatred. The same logic applies to hardcore anti-Europeans, of which there are many even at "conservative" websites such as LGF. They have an irrational hatred, a dark cloud in their minds which prevents them from seeing the world clearly. In a way, some LGF-ers thus have more in common with David Duke than they'd like to admit. If mindless anti-Semitism and anti-Americanism should be considered a problem then so should mindless anti-Europeanism.

This weekend, we witnessed how violent thugs threatened, assaulted and in some cases beat up people they disagreed with, several of them Jews. These "anti-Fascist" blackshirts are closely related to the violent totalitarian movements of past generations, in their dress code, mentality and willingness to silence freedom of speech by brute

force. In short, they resemble Fascists and Communists (some of them were Communists). What has Little Green Footballs, which never misses an opportunity to denounce "Fascists," written about this? So far, absolutely nothing. There are indeed people who behave like Fascists in Europe, and they receive tacit support from LGF while their victims are denounced as "Fascists."

I have watched, for the better part of a year, a number of decent human beings including, but not limited to, Pamela Geller, Paul Belien, Diana West, the Baron and Dymphna from the Gates of Vienna blog and many others, being at the receiving end of a vicious smear campaign from Charles Johnson and Little Green Footballs which is unlike anything I have seen in my life. After engaging in an insane witch-hunt on imaginary Fascists, whose ranks seem to grow every month, Mr. Johnson now suddenly chooses to look the other way in silence when very real Fascists use violence to silence their critics in a major Western city. I admit that makes me angry, and I think I have the right to be so.

The time has now come for Mr. Johnson to apologise in public to the numerous people he has smeared since the fall of 2007, starting with the ones I have mentioned above. It's not their credibility that's on the line here. It's his. If he continues to undermine those confronting Islamic infiltration, it will become increasingly difficult for LGF to present itself as an anti-Jihad website at all. At some point, the rapidly shrinking number of people in the northern hemisphere who haven't been banned from the site yet will be forced to ask themselves whether the website and its owner have simply switched teams and joined the Dark Side.

Further comment:

ANTIFA are often the useful and "extended arm" of the current cultural Marxist/multiculturalist establishment and they have been active since the 60's and 70's.

A majority of European countries have groups like AFA and RF - bashing, harassing and terrorising all people who oppose or criticise mass Muslim immigration. There has been more than 180 registered cases of extreme leftwing violence in Sweden the last three years[22]. In Oslo, Norway, the national variant is called "Blitz" and SOS Rasisme, state sponsored extreme left movements (lynch mobs), similar to AFA. A majority of the political parties have for the last decades shown direct and indirect support for this group and have funded the "Blitz house". The apartment block was originally occupied but is now funded and renovated by the current Oslo City Council.

Source:

1. http://atlasshrugs2000.typepad.com/atlas_shrugs/2008/09/atlas-exclusi-1.html
2. <http://www.brusselsjournal.com/node/3548>
3. <http://www.amnation.com/vfr/archives/011477.html>
4. <http://www.spiegel.de/international/germany/0,1518,579661,00.html>
5. <http://www.dianawest.net/Home/tabid/36/EntryID/475/Default.aspx>
6. <http://gatesofvienna.blogspot.com/2008/09/gamed-poll-about-cologne.html>
7. <http://www.pi-news.net/2008/09/qualitaetsumfrage-aus-dem-hause-springer/>
8. http://atlasshrugs2000.typepad.com/atlas_shrugs/2008/09/jews-beaten-at.html
9. <http://maalmannen.blogspot.com/2008/09/bilete-fraa-kl-3.html>
10. <http://gatesofvienna.blogspot.com/2008/09/post-mortem-on-cologne-part-2.html>
11. <http://layjadeneurabia.com/2008/09/21/a-personal-account-of-yesterday%e2%80%99s-demo-in-koln-antifas-block-access-to-a-demo-%e2%80%9cwe-are-the-authority%e2%80%9d-german-police-lines-behind-them/>
12. <http://www.dw-world.de/dw/article/0,2144,3264553,00.html>
13. <http://www.spiegel.de/international/germany/0,1518,553187,00.html>
14. <http://www.expatika.com/de/articles/news/Scuffles-in-Cologne-before-anti-Islam-rally--.html>
15. <http://snaphanen.dk/2008/09/21/%c2%bbjeg-forsager-dansk-folkeparti-og-alt-dets-v%c3%a6sen%c2%ab/http://51.517.-0.083plusf95:QEopjnn3658931545263H>
16. <http://www.antirasistisk-senter.no/linker/index.html>
17. <http://gatesofvienna.blogspot.com/2006/06/political-correctness-revenge-of.html>
18. <http://www.brusselsjournal.com/node/3542>
19. http://atlasshrugs2000.typepad.com/atlas_shrugs/2008/09/goog_1222164708781
20. <http://english.farsnews.com/newstext.php?nn=8707010676>
21. <http://gatesofvienna.blogspot.com/2008/09/filip-dewinter-wins-oriana-fallaci.html>
22. <http://www.memri.org/bin/articles.cgi?ID=SP103505>
23. <http://politiskinkorrekt.wordpress.com/2009/12/14/g-p-kartlagger-extremvansterns-vald/>

2.66 The only English charity organisation is branded as racist while 215 Somali organizations are welcomed

Manifestations of multiculturalism results in extremely disproportionate representation of group oriented interest organisations. The only charitable organisation working for the interest of English people are mocked and persecuted, being labeled as a racist organisation, while thousands of other organisations (215 working for the interest of Somalis, 92 for Pakistanis, even 144 for black interest) are never criticised due to the doctrines known as political correctness/cultural Marxism/multiculturalism. This tendency further underlines and documents how multiculturalism is an anti-European hate ideology designed to destroy European traditions, cultures and identities.

The same tendencies are prevalent in other Western European countries as well.

Finnish people living in England and Wales have 11 charitable organisations which work exclusively for the benefit and interest of the Finnish people. The Chinese have 164 such charitable organisations, the Somalis have an incredible 215 despite, in addition there are "about 1200" Jewish charities but at the bottom of the table are the English who (at present) make up the vast majority of the population of England and Wales and have just 1 (yes one!) called The Steadfast Trust working on behalf of English people and their interests in an increasingly fragmented and divided society.

On the 8th October a supporter of the Steadfast Trust made a Freedom of Information request to the Charity Commission asking how many charities, like the Steadfast Trust, specified one of their beneficiary category codes as being..."for people of a particular ethnic or racial origin"

Due to a fortunate coincidence the Commission was already conducting research in this area and provided a table of the interim results.

The Charity Commission has approximately 159,600 registered charities, although it should be noted that this figure is fairly volatile due to the registration of excepted charities and removal of inactive charities.

Around 15,500 charities have ticked the code 'for people of a particular ethnic or racial origin', however many are excluded from the research since they only operate abroad. There are about 6,860 charities identified that operate within the nations of England and Wales.

The top ten most charity represented ethnic / racial origin groups (based on the number of charities) is as follows...

- Jewish about 1200
- African 673
- Bangladeshi / Bengali 417
- Asian 331
- Somali 215
- India 209
- Caribbean 198
- Chinese 164
- Black 144*
- Pakistani 92

*the EHRC have been informed of this category term (i.e. Black) due to the concern that it may violate the Race Relations Act 1976, which is believed to prohibit the use of skin-

colour as a means of distinguishing beneficiaries.

The purpose of charities is to work for the benefit and interests of their target group. As the full table shows, the English are not even listed (meaning that there are under '10' throughout England and Wales), which indicates that they are not ethnically well represented on a specific basis. This is both surprising and unfortunate since it implies that the largest ethnic group is disenfranchised and potentially neglected.

It is hoped that the Steadfast Trust (as the only known charity for the English people of England) can address this balance in a small way. Steadfast Trust Trustee, Lynn Chorley says:

"It is a sad truth that a few, very few in number, have raised concerns that our charity may be discriminative. Of course this is not the case; in fact the discrimination comes about where only the majority ethnic group of England isn't allowed a charity for its own people, resulting in us being massively under-represented.

We believe that our work at offering a vital sense of cultural identity, through education and activities will have a positive impact on society as a whole, and we welcome all the support that has been given."

The above report can be found on the Steadfast Trust site.

Source:

<http://www.civilliberty.org.uk/newsdetail.php?newsid=735>

2.67 How the diversity industry/ethnic industries/sub-cultures such as Hip-Hop in combination with unrestricted media rights contributes to destroy society

John H. McWhorter

Not long ago, I was having lunch in a KFC in Harlem, sitting near eight African-American boys, aged about 14. Since 1) it was 1:30 on a school day, 2) they were carrying book bags, and 3) they seemed to be in no hurry, I assumed they were skipping school. They were extremely loud and unruly, tossing food at one another and leaving it on the floor.

Black people ran the restaurant and made up the bulk of the customers, but it was hard to see much healthy "black community" here. After repeatedly warning the boys to stop throwing food and keep quiet, the manager finally told them to leave. The kids ignored her. Only after she called a male security guard did they start slowly making their way out, tauntingly circling the restaurant before ambling off. These teens clearly weren't monsters, but they seemed to consider themselves exempt from public norms of behaviour—as if they had begun to check out of mainstream society.

What struck me most, though, was how fully the boys' music—hard-edged rap, preaching bone-deep dislike of authority—provided them with a continuing soundtrack to their antisocial behaviour. So completely was rap ingrained in their consciousness that every so often, one or another of them would break into cocky, expletive-laden rap lyrics, accompanied by the angular, bellicose gestures typical of rap performance. A couple of his buddies would then join him. Rap was a running decoration in their conversation. Many writers and thinkers see a kind of informed political engagement, even a revolutionary potential, in rap and hip-hop. They couldn't be more wrong. By reinforcing the stereotypes that long hindered blacks, and by teaching young blacks that a thuggish adversarial stance is the properly "authentic" response to a presumptively racist society, rap retards black success.

The venom that suffuses rap had little place in black popular culture—indeed, in black attitudes—before the 1960s. The hip-hop ethos can trace its genealogy to the emergence in that decade of a black ideology that equated black strength and authentic black identity with a militantly adversarial stance toward American society. In the angry new mood, captured by Malcolm X's upraised fist, many blacks (and many more white liberals) began to view black crime and violence as perfectly natural, even appropriate, responses to the supposed dehumanisation and poverty inflicted by a racist society. Briefly, this militant spirit, embodied above all in the Black Panthers, infused black popular culture, from the plays of LeRoi Jones to "blaxploitation" movies, like Melvin Van Peebles's *Sweet Sweetback's Baadasssss Song*, which celebrated the black criminal rebel as a hero.

But blaxploitation and similar genres burned out fast. The memory of whites blatantly stereotyping blacks was too recent for the typecasting in something like *Sweet Sweetback's Baadasssss Song* not to offend many blacks. Observed black historian Lerone Bennett: "There is a certain grim white humour in the fact that the black marches and demonstrations of the 1960s reached artistic fulfilment" with "provocative and ultimately insidious reincarnations of all the Sapphires and Studs of yesteryear."

Early rap mostly steered clear of the Sapphires and Studs, beginning not as a growl from below but as happy party music. The first big rap hit, the Sugar Hill Gang's 1978 "Rapper's Delight," featured a catchy bass groove that drove the music forward, as the jolly rapper celebrated himself as a ladies' man and a great dancer. Soon, kids across America were rapping along with the nonsense chorus:

I said a hip, hop, the hippie, the hippie,

to the hip-hip hop, ah you don't stop
the rock it to the bang bang boogie, say
up jump the boogie,
to the rhythm of the boogie, the beat.

A string of ebullient raps ensued in the months ahead. At the time, I assumed it was a harmless craze, certain to run out of steam soon.

But rap took a dark turn in the early 1980s, as this "bubble gum" music gave way to a "gangsta" style that picked up where blaxploitation left off. Now top rappers began to write edgy lyrics celebrating street warfare or drugs and promiscuity. Grandmaster Flash's ominous 1982 hit, "The Message," with its chorus, "It's like a jungle sometimes, it makes me wonder how I keep from going under," marked the change in sensibility. It depicted ghetto life as profoundly desolate:

You grow in the ghetto, living second rate
And your eyes will sing a song of deep hate.
The places you play and where you stay
Looks like one great big alley way.
You'll admire all the numberbook takers,
Thugs, pimps and pushers, and the big money makers.

Music critics fell over themselves to praise "The Message," treating it as the poetry of the streets—as the elite media has characterised hip-hop ever since. The song's grim fatalism struck a chord; twice, I've heard blacks in audiences for talks on race cite the chorus to underscore a point about black victimhood. So did the warning it carried: "Don't push me, 'cause I'm close to the edge," menacingly raps Melle Mel. The ultimate message of "The Message"—that ghetto life is so hopeless that an explosion of violence is both justified and imminent—would become a hip-hop mantra in the years ahead.

The angry, oppositional stance that "The Message" reintroduced into black popular culture transformed rap from a fad into a multi-billion-dollar industry that sold more than 80 million records in the U.S. in 2002—nearly 13 percent of all recordings sold. To rap producers like Russell Simmons, earlier black pop was just sissy music. He despised the "soft, unaggressive music (and non-threatening images)" of artists like Michael Jackson or Luther Vandross. "So the first chance I got," he says, "I did exactly the opposite."

In the two decades since "The Message," hip-hop performers have churned out countless rap numbers that celebrate a ghetto life of unending violence and criminality. Schooly D's "PSK What Does It Mean?" is a case in point:

Copped my pistols, jumped into the ride.
Got at the bar, copped some flack,
Copped some cheeba-cheeba, it wasn't wack.
Got to the place, and who did I see?
A sucka-ass nigga tryin to sound like me.
Put my pistol up against his head—
I said, "Sucka-ass nigga, I should shoot you dead."

The protagonist of a rhyme by KRS-One (a hip-hop star who would later speak out against rap violence) actually pulls the trigger:

Knew a drug dealer by the name of Peter—
Had to buck him down with my 9 millimetre.

Police forces became marauding invaders in the gangsta-rap imagination. The late West Coast rapper Tupac Shakur expressed the attitude:

Ya gotta know how to shake the snakes, nigga,
'Cause the police love to break a nigga,
Send him upstate 'cause they straight up hate the nigga.

Shakur's anti-police tirade seems tame, however, compared with Ice-T's infamous "Cop Killer":

I got my black shirt on.
I got my black gloves on.
I got my ski mask on.
This shit's been too long.
I got my 12-gauge sawed-off.
I got my headlights turned off.
I'm 'bout to bust some shots off.
I'm 'bout to dust some cops off. . . .
I'm 'bout to kill me somethin'
A pig stopped me for nuthin'!
Cop killer, better you than me.
Cop killer, fuck police brutality! . . .
Die, die, die pig, die!
Fuck the police! . . .
Fuck the police yeah!

Rap also began to offer some of the most icily misogynistic music human history has ever known. Here's Schooly D again:

Tell you now, brother, this ain't no joke,
She got me to the crib, she laid me on the bed,
I fucked her from my toes to the top of my head.
I finally realised the girl was a whore,
Gave her ten dollars, she asked me for some more.

Jay-Z's "Is That Yo Bitch?" mines similar themes:

I don't love 'em, I fuck 'em.
I don't chase 'em, I duck 'em.
I replace 'em with another one. . . .
She be all on my dick.

Or, as N.W.A. (an abbreviation of "Niggers with Attitude") tersely sums up the hip-hop worldview: "Life ain't nothin' but bitches and money."

Rap's musical accompaniment mirrors the brutality of rap lyrics in its harshness and repetition. Simmons fashions his recordings in contempt for euphony. "What we used for melody was implied melody, and what we used for music was sounds—beats, scratches, stuff played backward, nothing pretty or sweet." The success of hip-hop has resulted in an ironic reversal. In the seventies, screaming hard rock was in fashion among young whites, while sweet, sinuous funk and soul ruled the black airwaves—a difference I was

proud of. But in the eighties, rock quieted down, and black music became the assault on the ears and soul. Anyone who grew up in urban America during the eighties won't soon forget the young men strolling down streets, blaring this sonic weapon from their boom boxes, with defiant glares daring anyone to ask them to turn it down.

Hip-hop exploded into popular consciousness at the same time as the music video, and rappers were soon all over MTV, reinforcing in images the ugly world portrayed in rap lyrics. Video after video features rap stars flashing jewelry, driving souped-up cars, sporting weapons, angrily gesticulating at the camera, and cavorting with interchangeable, mindlessly gyrating, scantily clad women.

Of course, not all hip-hop is belligerent or profane—entire CDs of gang-bangin', police-baiting, woman-bashing invective would get old fast to most listeners. But it's the nastiest rap that sells best, and the nastiest cuts that make a career. As I write, the top ten best-selling hip-hop recordings are 50 Cent (currently with the second-best-selling record in the nation among all musical genres), Bone Crusher, Lil' Kim, Fabolous, Lil' Jon and the East Side Boyz, Cam'ron Presents the Diplomats, Busta Rhymes, Scarface, Mobb Deep, and Eminem. Every one of these groups or performers personifies willful, staged opposition to society—Lil' Jon and crew even regale us with a song called "Don't Give a Fuck"—and every one celebrates the ghetto as "where it's at." Thus, the occasional dutiful songs in which a rapper urges men to take responsibility for their kids or laments senseless violence are mere garnish. Keeping the thug front and center has become the quickest and most likely way to become a star.

No hip-hop luminary has worked harder than Sean "P. Diddy" Combs, the wildly successful rapper, producer, fashion mogul, and CEO of Bad Boy Records, to cultivate a gangsta image—so much so that he's blurred the line between playing the bad boy and really being one. Combs may have grown up middle-class in Mount Vernon, New York, and even have attended Howard University for a while, but he's proven he can gang-bang with the worst. Cops charged Combs with possession of a deadly weapon in 1995. In 1999, he faced charges for assaulting a rival record executive. Most notoriously, police charged him that year with firing a gun at a nightclub in response to an insult, injuring three bystanders, and with fleeing the scene with his entourage (including then-pal Jennifer "J. Lo" Lopez). Combs got off, but his young rapper protégé Jamal "Shyne" Barrow went to prison for firing the gun.

Combs and his crew are far from alone among rappers in keeping up the connection between "rap and rap sheet," as critic Kelefa Sanneh artfully puts it. Several prominent rappers, including superstar Tupac Shakur, have gone down in hails of bullets—with other rappers often suspected in the killings. Death Row Records producer Marion "Suge" Knight just finished a five-year prison sentence for assault and federal weapons violations. Current rage 50 Cent flaunts his bullet scars in photos; cops recently arrested him for hiding assault weapons in his car. Of the top ten hip-hop sellers mentioned above, five have had scrapes with the law. In 2000, at least five different fights broke out at the Source Hip-hop Awards—intended to be the rap industry's Grammys. The final brawl, involving up to 100 people in the audience and spilling over onto the stage, shut the ceremony down—right after a video tribute to slain rappers. Small wonder a popular rap website goes by the name rapsheet.com.

Many fans, rappers, producers, and intellectuals defend hip-hop's violence, both real and imagined, and its misogyny as a revolutionary cry of frustration from disempowered youth. For Simmons, gangsta raps "teach listeners something about the lives of the people who create them and remind them that these people exist." 50 Cent recently told Vibe magazine, "Mainstream America can look at me and say, 'That's the mentality of a young man from the 'hood.'" University of Pennsylvania black studies professor Michael Eric Dyson has written a book-length paean to Shakur, praising him for "challenging narrow artistic visions of black identity" and for "artistically exploring the attractions and

limits of black moral and social subcultures”—just one of countless fawning treatises on rap published in recent years. The National Council of Teachers of English, recommending the use of hip-hop lyrics in urban public school classrooms (as already happens in schools in Oakland, Los Angeles, and other cities), enthuses that “hip-hop can be used as a bridge linking the seemingly vast span between the streets and the world of academics.”

But we’re sorely lacking in imagination if in 2003—long after the civil rights revolution proved a success, at a time of vaulting opportunity for African Americans, when blacks find themselves at the top reaches of society and politics—we think that it signals progress when black kids rattle off violent, sexist, nihilistic, lyrics, like Russians reciting Pushkin. Some defended blaxploitation pictures as revolutionary, too, but the passage of time has exposed the silliness of such a contention. “The message of Sweetback is that if you can get it together and stand up to the Man, you can win,” Van Peebles once told an interviewer. But win what? All Sweetback did, from what we see in the movie, was avoid jail—and it would be nice to have more useful counsel on overcoming than “kicking the Man’s ass.” Claims about rap’s political potential will look equally gestural in the future. How is it progressive to describe life as nothing but “bitches and money”? Or to tell impressionable black kids, who’d find every door open to them if they just worked hard and learned, that blowing a rival’s head off is “real”? How helpful is rap’s sexism in a community plagued by rampant illegitimacy and an excruciatingly low marriage rate?

The idea that rap is an authentic cry against oppression is all the sillier when you recall that black Americans had lots more to be frustrated about in the past but never produced or enjoyed music as nihilistic as 50 Cent or N.W.A. On the contrary, black popular music was almost always affirmative and hopeful. Nor do we discover music of such violence in places of great misery like Ethiopia or the Congo—unless it’s imported American hip-hop.

Given the hip-hop world’s reflexive alienation, it’s no surprise that its explicit political efforts, such as they are, are hardly progressive. Simmons has founded the “Hip-Hop Summit Action Network” to bring rap stars and fans together in order to forge a “bridge between hip-hop and politics.” But HSAN’s policy positions are mostly tired bromides. Sticking with the long-discredited idea that urban schools fail because of inadequate funding from the stingy, racist white Establishment, for example, HSAN joined forces with the teachers’ union to protest New York mayor Bloomberg’s proposed education budget for its supposed lack of generosity. HSAN has also stuck it to President Bush for invading Iraq. And it has vociferously protested the affixing of advisory labels on rap CDs that warn parents about the obscene language inside. Fighting for rappers’ rights to obscenity: that’s some kind of revolution!

Okay, maybe rap isn’t progressive in any meaningful sense, some observers will admit; but isn’t it just a bunch of kids blowing off steam and so nothing to worry about? I think that response is too easy. With music videos, DVD players, Walkmans, the Internet, clothes, and magazines all making hip-hop an accompaniment to a person’s entire existence, we need to take it more seriously. In fact, I would argue that it is seriously harmful to the black community.

The rise of nihilistic rap has mirrored the breakdown of community norms among inner-city youth over the last couple of decades. It was just as gangsta rap hit its stride that neighbourhood elders began really to notice that they’d lost control of young black men, who were frequently drifting into lives of gang violence and drug dealing. Well into the seventies, the ghetto was a shabby part of town, where, despite unemployment and rising illegitimacy, a healthy number of people were doing their best to “keep their heads above water,” as the theme song of the old black sitcom *Good Times* put it.

By the eighties, the ghetto had become a ruleless war zone, where black people were their own worst enemies. It would be silly, of course, to blame hip-hop for this sad downward spiral, but by glamorising life in the “war zone,” it has made it harder for

many of the kids stuck there to extricate themselves. Seeing a privileged star like Sean Combs behave like a street thug tells those kids that there's nothing more authentic than ghetto pathology, even when you've got wealth beyond imagining.

The attitude and style expressed in the hip-hop "identity" keeps blacks down. Almost all hip-hop, gangsta or not, is delivered with a cocky, confrontational cadence that is fast becoming—as attested to by the rowdies at KFC—a common speech style among young black males. Similarly, the arm-slinging, hand-hurling gestures of rap performers have made their way into many young blacks' casual gesticulations, becoming integral to their self-expression. The problem with such speech and mannerisms is that they make potential employers wary of young black men and can impede a young black's ability to interact comfortably with co-workers and customers. The black community has gone through too much to sacrifice upward mobility to the passing kick of an adversarial hip-hop "identity."

On a deeper level, there is something truly unsettling and tragic about the fact that blacks have become the main agents in disseminating debilitating—dare I say racist—images of themselves. Rap guru Russell Simmons claims that "the coolest stuff about American culture—be it language, dress, or attitude—comes from the underclass. Always has and always will." Yet back in the bad old days, blacks often complained—with some justification—that the media too often depicted blacks simply as uncivilised. Today, even as television and films depict blacks at all levels of success, hip-hop sends the message that blacks are . . . uncivilised. I find it striking that the cry-racism crowd doesn't condemn it.

For those who insist that even the invisible structures of society reinforce racism, the burden of proof should rest with them to explain just why hip-hop's bloody and sexist lyrics and videos and the criminal behaviour of many rappers wouldn't have a powerfully negative effect upon whites' conception of black people.

Sadly, some black leaders just don't seem to care what lesson rap conveys. Consider Savannah's black high schools, which hosted the local rapper Camoflaug as a guest speaker several times before his murder earlier this year. Here's a representative lyric:

Gimme tha keys to tha car, I'm ready for war.
When we ride on these niggas smoke that ass like a 'gar.
Hit your block with a Glock, clear the set with a Tech
You think I'm jokin, see if you laughing when tha pistol be smokin—
Leave you head split wide open
And you bones get broken. . . .

More than a few of the Concerned Black People inviting this "artist" to speak to the impressionable youth of Savannah would presumably be the first to cry out about "how whites portray blacks in the media."

Far from decrying the stereotypes rampant in rap's present-day blaxploitation, many hip-hop defenders pull the "whitey-does-it-too" trick. They point to the Godfather movies or The Sopranos as proof that violence and vulgarity are widespread in American popular culture, so that singling out hip-hop for condemnation is simply bigotry. Yet such a defence is pitifully weak. No one really looks for a way of life to emulate or a political project to adopt in The Sopranos. But for many of its advocates, hip-hop, with its fantasies of revolution and community and politics, is more than entertainment. It forms a bedrock of young black identity.

Nor will it do to argue that hip-hop isn't "black" music, since most of its buyers are white, or because the "hip-hop revolution" is nominally open to people of all colours. That

whites buy more hip-hop recordings than blacks do is hardly surprising, given that whites vastly outnumber blacks nationwide. More to the point, anyone who claims that rap isn't black music will need to reconcile that claim with the widespread wariness among blacks of white rappers like Eminem, accused of "stealing our music and giving it back to us."

At 2 AM on the New York subway not long ago, I saw another scene—more dispiriting than my KFC encounter with the rowdy rapping teens—that captures the essence of rap's destructiveness. A young black man entered the car and began to rap loudly—profanely, arrogantly—with the usual wild gestures. This went on for five irritating minutes. When no one paid attention, he moved on to another car, all the while spouting his doggerel. This was what this young black man presented as his message to the world—his oratory, if you will.

Anyone who sees such behaviour as a path to a better future—anyone, like Professor Dyson, who insists that hip-hop is an urgent "critique of a society that produces the need for the thug persona"—should step back and ask himself just where, exactly, the civil rights-era blacks might have gone wrong in lacking a hip-hop revolution. They created the world of equality, striving, and success I live and thrive in.

A majority of manifestations spawned by Hip-hop create nothing and act like a destructive force.

End note: a further elaboration on the negative impacts of the ethnic industries (and solutions to solve them) is found in book 3 of this compendium under the name: "The destructive forces of the diversity/ multiculturalist industry, comments and solutions".

2.68 How the West Lost the Cold War

By Fjordman

"The world has always belonged to the stronger, and will belong to them for many years to come. Men only respect those who make themselves respected. Whoever becomes a lamb will find a wolf to eat him. "

Vilfredo Pareto

The girlfriend of a politician from the Sweden Democrats, a small party critical of mass immigration, was recently attacked[1] at her home outside Stockholm. The young woman was found bound with duct tape[2] in the apartment block where she lives with Martin Kinnunen, chairman of the youth wing of the SD. Three men had forced their way into the couple's apartment and held the 19-year-old at knife point. Kinnunen tells of several threats and anonymous phone calls to the family. He blames the media[3] for systematically portraying the SD as monsters and thus for legitimising aggression against them, and claims that the Swedish democracy is a sham.

Antifascistisk Aktion[4], a group that supposedly fights against "racists," openly brag about numerous physical attacks against persons with their full name and address published on their website. Only a week after this group harassed a Swedish judge[5] and vandalised his house, members demonstrated alongside the Swedish police, the Swedish government[6] and the Swedish media establishment during Pride Week, Stockholm's annual gay celebration, in August 2007. At the very end of the Pride Parade marched a group of black-clothed and masked representatives of AFA[7]. Adjacent to them marched a number of policemen, including members of the Swedish Gay Police organisation.

At their website[8], AFA claim to have beaten several homophobes during the event, at least one of whom ended up in a hospital. They are Socialists, and as Socialists they are convinced that progress can only be made through struggle, and it is implicit that they mean violent struggle: "If we want to fight against capitalism, the working class needs to be united, and in order to be so intolerance cannot be tolerated. However, if we want to fight against intolerance we have to defeat capitalism as an extension of that struggle. Hence anti-fascism, feminism and the struggle against homophobia go hand in hand with the class struggle!"

According to Politikerbloggen[9], AFA have produced a manual about how to use violence in order to paralyze and hurt their opponents, and they encourage their members to study it closely. Meanwhile, senior members of law enforcement are too busy waving plastic penises to care. It's all for tolerance, and then there is this small group at the back, behind the police, the media and the cultural and political establishment, ready to assault, beat up and hospitalise anybody deemed to be insufficiently tolerant.

Several of the Centre Party's[10] offices were vandalised before the elections in 2006 in protest against a proposal for new labour agreements. This was done by a coalition of left-wing extremists calling themselves the Invisible Party[11]. AFA participated, as they proudly proclaim[12] on their website. The centre-right coalition government which gained power that year consists of four parties including the Centre Party. A year later, representatives from this government walked alongside the same group which had attacked their offices a few months earlier.

Broderskapsrörelsen[13] ("The Brotherhood"), an organisation of Christian members of the Swedish Social Democratic Party, has decided[14] to establish a network for people of other faiths, which largely seems to mean Muslims. Its leader Peter Weiderud says that "I'm incredibly happy that a unanimous congress now leaves the door open for Muslims and others to work together with us in the Brotherhood; this is going to enrich us all and help the [Social Democratic] Party to better influence the Swedish society." For

Abdulkader Habib, active within the Muslim Brotherhood, the decision is a historic step which shows that the dividing lines in society do not go between religions, but within religions: "Faith and politics are intertwined for many Muslims, which is why the decision to create this network is a key to the crucial work for integration that we need to do." "We shouldn't disregard the importance of people's [religious] faith," says deputy leader Cecilia Dalman-Eek. "At the same time, this is both instructive and inspiring for us Christians within the Brotherhood. This is about an exciting growth of new mass movements and is a part of the new Sweden."

The Social Democrat Ola Johansson, a member of the Brotherhood, has referred to the book *Social Justice in Islam* by Sayyid Qutb, the notorious Muslim Brotherhood member who has become the spiritual guide for Islamic Jihad terrorists worldwide, as a proof that Muslims support the welfare state and can thus make common cause with the Socialists.

According to writer Nima Sanandaji[15], the Social Democrats have started fishing for votes with the help of radical Muslims clergies such as the influential leader Mahmoud Aldebe. In 1999, Aldebe proposed that sharia, Islamic law, be introduced in Sweden. In 2003 he involved himself in a heated debate regarding an incident of honour killing where a Kurdish girl was murdered by her two uncles. Aldebe forcefully defended the perpetrators and viewed the debate regarding honour-related murders as an attack against the Islamic religion.

In 2006, the Muslim Association of Sweden demanded in a letter, signed by its leader Mahmoud Aldebe, separate family laws regulating marriage and divorce, public schools with imams teaching homogeneous classes of Muslims children their religion and the language of their original homeland, and a "mosque in every municipality to be built through interest-free loans made available by the local municipalities." This to demonstrate "Islam's right to exist in Sweden" and to "heighten the status of and respect towards Muslims." The demands were rejected by the Social Democrats then, but it now appears as if they have recognised that they need to cooperate with the fast-growing Muslim community if they want to regain power, so we shouldn't be surprised to see calls for the use of sharia law in family matters by an otherwise officially feminist party.

The Social Democrats narrowly lost the elections in 2006, and appear to have decided that the way to regain and maintain power is to import voters, a strategy adopted by many of their sister parties[16] in Western Europe. The Muslim Association of Sweden is generally viewed as ideologically inspired by the Muslim Brotherhood.

The current leader of the Social Democrats, Mona Sahlin[17], thinks that "the Sweden Democrats are a right-wing party. It is a misogynistic and xenophobic party." The "party is a threat to a Sweden that I believe many of us love — an open, unprejudiced and tolerant Sweden."

Whatever else one thinks about that party, I'm not so sure the Muslim Brotherhood are less "misogynistic." According to journalist Kurt Lundgren[18], Sahlin, expected to become the next Prime Minister, was a participant in the Pride Festival where she was graduated, after several questions, to the F***ing Medal Award. Has she given some thought to what effect this will have in a country with exploding rape statistics[19]? According to the blogger Dick Erixon[20], the number of reported rapes in Sweden is now three times as high as in New York. NY has roughly the same number of inhabitants, but it is a metropolis, whereas Sweden is a country with mostly rural areas and villages. Swedish girls are called "infidel whores" on a regular basis and are increasingly scared to go outside, yet the nation's arguably most powerful woman takes the F***ing Medal Award. How will that be perceived by Muslim immigrants?

Moreover, how will her views on sexual liberation be reconciled with her party's cooperation with the Muslim Brotherhood, since several of its senior international

leaders[21] have indicated that gays should be killed? The Swedish Church has recently announced that it will allow gay couples to marry in church. Will Sahlin and the Social Democrats also make sure that gay couples should be allowed to marry in mosques controlled by the MB? More interestingly, will AFA attack them for homophobia if they refuse?

Marcos Cantera Carlomagno in 1995 published a PhD thesis at Lund University describing a series of letters sent by Per Albin Hansson[22], leader of the Social Democrats and Prime Minister between 1932 and 1946, who worked for the establishment of "Folkhemmet," the People's Home, as the Swedish welfare state model became known as. Hansson was a dear pen pal with Italy's Fascist leader Mussolini and praised the corporate, Fascist system where the entire economy and each individual were intimately tied to and subordinate to the state. Hansson was positively disposed to Fascism and saw his welfare state as a related concept. After mentioning his work in a local newspaper, Carlomagno was called by his supervisor who stated in anger that his scholarship would be cut off. Carlomagno's work was totally ignored by the entire media and political establishment in Sweden when it appeared in the 1990s.

Why did this information meet with such repression? Because the power of the political and cultural establishment is not based on reasoned discussion but on shaming opponents and branding them as evil with words loaded with emotions and taboo. Terms such as "racist", "Fascist", and "Nazi" automatically shut down any rational discussion of a subject. The irony is that a similar strategy was employed with great success by....the Nazis.

Adolf Hitler described how to use "spiritual terror" to intimidate and silence opponents, a technique he learned from watching the Socialists and the Social Democrats. He understood "the infamous spiritual terror which this movement exerts, particularly on the bourgeoisie, which is neither morally nor mentally equal to such attacks; at a given sign it unleashes a veritable barrage of lies and slanders against whatever adversary seems most dangerous, until the nerves of the attacked persons break down and, just to have peace again, they sacrifice the hated individual... Conversely, they praise every weakling on the opposing side, sometimes cautiously, sometimes loudly, depending on the real or supposed quality of his intelligence."

In 2006, the newspaper *Dagens Nyheter* reported that following recommendations from the Ministry of Foreign Affairs, priests in the Swedish Church[23] applied German race laws from 1937 onwards. According to Lund University's Professor Anders Jarlert, who led the research, any Swede who wanted to marry an Aryan German was forced to sign an affirmation stating that none of the German's grandparents were Jewish. History Professor Stig Ekman told DN that Sweden's culture of silence and secrecy is one reason why this is appearing only now, generations later. In 1937, the Swedish government was controlled by the Social Democrats, yet despite this evidence that they applied Nazi race laws, party members still get away with denouncing critics of their immigration policies as neo-Nazis, racists or Fascists.

In the book *The New Totalitarians*, the British historian Roland Huntford in the early 1970s pointed out that Socialist professor Gunnar Myrdal and his wife Alva, both highly influential ideologists in developing the Swedish welfare state, had intimate connections with the German academic world during the Nazi age. Gunnar Myrdal served as both a member of parliament and later as a government minister for the Social Democrats during this period. According to Huntford: "The professor was then a Nazi sympathiser, publicly describing Nazism as the movement of youth and the movement of the future. In Myrdal's defence, it must be pointed out that, whatever his other propensities, Hitler did have advanced ideas on social welfare, and that the social ideology of the German Nazis and the Swedish Social Democrats had much in common. Until the mid 1930s, Nazism had considerable attractions for those who favoured a benevolent and authoritarian

state.”

Gunnar and Alva Myrdal promoted the idea of positive eugenics and forced sterilisation programs against those with “weak genes.” This started in Sweden even before Nazi Germany, and it continued longer.

The Nazis called themselves national Socialists, and they took the Socialist component of their ideology quite seriously[24]. They never nationalised all assets of production as the Communists did. They left nominal ownership in private hands, but production was in reality controlled by the state[25]. The Nazis were thus to the left, economically, compared to many of the labour parties in Western Europe today. As Adolf Hitler stated in 1927: “We are Socialists, enemies, mortal enemies of the present capitalist economic system with its exploitation of the economically weak, with its injustice in wages, with its immoral evaluation of individuals according to wealth and money instead of responsibility and achievement, and we are determined under all circumstances to abolish this system!”

The Muslim Brotherhood were also fans of the European Fascist and Nazi movements in the 1930s, as they are of welfare state[26] Socialism now. In *Origins of Fascism*, historian Walter Laqueur notes similarities between Islam and Nazism: “A German Catholic émigré writer Edgar Alexander (Edgar Alexander Emmerich) published an interesting work in 1937 in Switzerland entitled *The Hitler Mythos* (which was translated into English and reprinted after World War Two) in which he compared National Socialism with ‘Mohammedanism’ (...) He referred frequently to Hitler’s ‘Mohammedanism’ but made it clear that this referred only to external organisational forms (whatever this meant), to mass psychological effects and militant fanaticism. Alexander believed that Mohammed’s religion was based on sincere religious fanaticism (combined with political impulses) whereas Hitler’s (political) religion and its fanaticism had different sources.”

In Laqueur’s view, Fascism was less monolithic than Communism, as there were significant differences in theory and practice from country to country. The French Marxist Orientalist Maxime Rodinson wrote a polemic against the influential philosopher and fellow left-winger Michel Foucault who welcomed the Islamic Revolution in Iran. According to Rodinson, Khomeini and Islamic groups such as the Muslim Brotherhood constituted a form of “archaic fascism.” Ibn Warraq[27] has used an outline of the Fascist ideology made by Italian novelist Umberto Eco and found that most of its defining hallmarks are shared by Islam.

German sociologist Theodor Adorno was a member of the Frankfurt School and was influenced by Georg Lukács, one of Gramsci’s fellow cultural Marxists. *The Authoritarian Personality*, a book carrying Adorno’s name but in reality produced by the combined efforts of a number of people from the Frankfurt School, was extremely influential in the United States in the generation following WW2 and contributed to the Allied denazification program in Germany. Working at the University of Berkeley, California, during and after the war, Adorno and others such as the German-Jewish thinker Max Horkheimer through a large number of interviews tried to establish that what led to the rise of Nazi Germany was the predominance of a particular kind of authoritarian personality, which happened to be closely tied to conservative viewpoints. In their view, this was not just the case in Nazi Germany; there were large numbers of potential Fascists all over the Western world.

The authors developed the so-called F-scale (F for “Fascist”) to measure the psychological indicators of an authoritarian personality. They identified several key dimensions of a protofascist personality, which included favoring traditional morality, close family ties and strong support of religion. It also included aggression, stereotypes, a preoccupation with oppression, dominance and destruction and an obsession with sex. The solution to root out this authoritarian personality was above all to be found in the

breakdown and transformation of the traditional family structure..

It is striking to notice that these writers were inspired by a Marxist worldview and consistently refused to see the heavy Socialist influences on the Nazi ideology. Adorno and others argued that "late capitalism" had developed tools to resist the rise of a Socialist society, above all the use of popular culture and education. They apparently concluded that what led to the rise of the Nazis were traditional and "conservative" viewpoints.

But the Nazis weren't conservatives. They should more properly be understood as a revolutionary Socialist movement, albeit one with powerful racialist and anti-Semitic overtones. Judging from the death toll produced by Socialist regimes both prior to and after them, it is tempting to conclude that the destruction brought by the Nazis owed at least as much to the Socialist as to the nationalist element of their ideology. The *Origins of Totalitarianism* by Hannah Arendt, published in 1951, a year after *The Authoritarian Personality*, was somewhat closer to understanding the commonalities between the Soviet Union and Nazi Germany.

However, since the Nazis have by now been dubbed a "far-right" movement, anybody considered to be a "right-winger" or conservative is thus supposedly closer to them than Socialists are, which automatically makes them suspect. Much of the power of the political Left throughout the West is based on such guilt-by-association, which is why it would be a disaster for their power base if it were to be demonstrated that the Swedish Social Democrats, the darlings of the political Left internationally, were close to the Fascists and the Nazis. They now display great affection for Islam, another thing they have in common with the Nazis.

Many of the stories in the famous *The Book of One Thousand and One Nights*[28] (Arabian Nights), though frequently based on much older Persian and Indian tales, are said to have taken place during the rule of the Abbasid caliph Harun al-Rashid in Baghdad in the late 8th and early 9th century. Few seem to remember that the first prototype of the yellow badge for Jews employed by the Nazis were developed by him, based on the regulations for dhimmis in Islamic teachings. He ordered Jews to wear yellow belts, Christians blue belts. This practice was later imported to Europe via medieval Spain and Portugal under Islamic rule.

Muhammad Amin al-Husayni[29], the Grand Mufti of Jerusalem, Arab nationalist leader, a leading force behind the establishment of the Arab League and a spiritual father of the PLO, was a close collaborator with Nazi Germany and personally met with Adolf Hitler. In a radio broadcast from Berlin he called upon Muslims to kill Jews wherever they could find them. Dieter Wisliceny was the deputy of Adolf Eichmann, the organiser of the Holocaust and reportedly the inventor of the phrase the "Final Solution to the Jewish Question." During the Nuremberg trials, Wisliceny stated that the Mufti "was one of Eichmann's best friends and had constantly incited him to accelerate the extermination measures. I heard him say, accompanied by Eichmann, he had visited incognito the gas chambers of Auschwitz."

Serge Trifkovic in his book *The Sword of the Prophet* documents how al-Husayni recruited Bosnian and Albanian Muslims for Waffen SS units in the Balkans[30]. Yugoslavia wanted to extradite al-Husayni for war crimes after WW2, but he fled to Egypt and continued his war against Jews. Orthodox Christian Serbs had to wear blue armbands, Jews yellow armbands. This clearly demonstrates that for Muslims this was a Jihad against disobedient dhimmis, and thus a continuation of the Turkish and Kurdish genocide against Armenians a few years earlier which was one of the inspirations for the Holocaust. More than a quarter of a million Serbs, Jews and Romani people (Gypsies) were killed by these Muslims troops. The leader of the Nazi SS troops Heinrich Himmler was impressed and stated to Propaganda Minister Josef Goebbels that Islam was "a very

practical and attractive religion for soldiers.”

He was far from the only person seeing a close correlation between Nazism and Islam. Karl Jung[31], in *The Symbolic Life* from 1939, stated that: “We do not know whether Hitler is going to found a new Islam. (He is already on the way; he is like Mohammad. The emotion in Germany is Islamic; warlike and Islamic. They are all drunk with wild god). That can be the historic future.” In *The Second World War*, Vol. I (*The Gathering Storm*), Winston Churchill wrote about Adolf Hitler’s autobiography *Mein Kampf*: “Here was the new Koran of faith and war: turgid, verbose, shapeless, but pregnant with its message.”

Medieval anti-Jewish pogroms in Europe could be brutal, but still normally of limited scope. To commit evil on a truly monumental scale, you need the support of ideology backed by bureaucrats, jurists and the machinery of a totalitarian state. Since Socialism generally leads in a totalitarian direction, which has also been facilitated by technological and industrial advances, a Socialist society will make large-scale massacres more likely..

The Hungarian author Imre Kertész[32], Holocaust survivor and winner of the Nobel Prize in Literature, writes in the magazine *signandsight.com*[33] that “the genuine novelties of the twentieth century were the totalitarian state and Auschwitz. The anti-Semitism of the nineteenth century, for instance, was as yet barely able, nor even would have wished, to imagine a Final Solution. Auschwitz, therefore, cannot be accounted for by the common-or-garden, archaic, not to say classical concepts of anti-Semitism. (...) Eichmann testified during his trial in Jerusalem that he was never an anti-Semite, and although those who were in the courtroom burst into laughter, it is not inconceivable that he was being truthful. In order to murder millions of Jews the totalitarian state had need, in the final analysis, not so much of anti-Semites as good organisers. We need to see clearly that no totalitarianism of party or state can exist without discrimination, and the totalitarian form of discrimination is necessarily mass murder.”

Kertész also warns, timely in these Multicultural days, that “a civilisation that does not clearly proclaim its values, or which leaves these proclaimed values high and dry, is stepping on the path to perdition and terminal debility. Then others will pronounce their values, and in the mouths of these others they will no longer be values but just so many pretexts for untrammelled power, untrammelled destruction.”

Following the Cold War, the West was stuck with a large fifth column[34] in our media and academia of people who were disappointed after the sudden collapse of the alternative to capitalism. They are slaves emancipated against their will, desperately in search of a new master. Their hatred for the Established Order never subsided when Marxism suffered a blow to its credibility. On the contrary, on some levels it increased. Although their attacks on the Christian, capitalist West are less ideologically coherent than in the past, this does not make them any less passionate.

They have decided to pursue the course of a gradual transformation of society through the education system and through destroying the family structure. The radicals have renewed hope of a violent upheaval. With the mass importation of Muslims, who have displayed such a wonderful talent for violence, and with rising ethnic tensions within the West, maybe they can finally get the armed revolution they were longing for.

The Swedish Social Democrats were pro-Fascist and pro-Nazi during the 1930s and 40s, appeased the Communists during the Cold War and cooperate with repressive and violent Islamic organisations today. They have consistently supported or appeased some of the worst societies and ideologies in human history, which between themselves have killed more than 150 million people in a few generations. Yet they are the good guys, the poster boys of the political Left throughout the world.

Now they forge an alliance with the Muslim Brotherhood, another organisation with close ideological ties to the Fascist and Nazi movements. At a time when native Swedes are raped, stabbed, killed and chased out[35] of their homes by Muslim gangs, the Social Democrats agree to continue allowing Muslims to colonise the country in exchange for their votes. In the old days this would be called treason. Now it's called tolerance. It's remarkable how similar the two concepts have become. Two Fascist-inspired movements cooperate on exploiting and abusing the native population of a country, force them fund and applaud their own colonisation and denounce them as bigots, racists and Fascists if they resist. The strategy is as brilliant as it is evil.

Why do they get away with this? How come Socialists can stab their own people in the back, ally themselves openly with some of the most violent and repressive movements on earth and still manage to portray themselves as beacons of goodness? I am tempted to agree with former Soviet dissident Vladimir Bukovsky[36]: The West didn't win the Cold War, at least not as decisively as we should have done. The belief-system we were up against has been allowed to mutate and regain some of its former strength[37]. We haven't defeated Socialism until we stage a Nuremberg trial and demonstrate clearly that the suffering, repression and massacres caused by Socialist regimes from Vietnam via the Ukraine to the Baltic were a direct result of Socialist doctrines.

Source:

<http://gatesofvienna.blogspot.com/2007/08/how-west-lost-cold-war.html>

1. <http://gatesofvienna.blogspot.com/2007/08/afa-attacks.html>
2. <http://www.thelocal.se/8201/>
3. <http://www.politikerbloggen.se/2007/08/16/5889>
4. <http://gatesofvienna.blogspot.com/2007/08/antifascistisk-aktion.html>
5. <http://www.thelocal.se/8043/>
6. <http://www.thelocal.se/8096/>
7. <http://www.aurette.com/journal/2007/08/violent-gang-br.html>
8. <http://www.antifa.se/index.php?p=1&id=165>
9. <http://www.politikerbloggen.se/2007/08/06/5419/#more-5419>
10. <http://www.thelocal.se/article.php?ID=3565>
11. http://en.wikipedia.org/wiki/Invisible_Party
12. <http://www.antifa.se/index.php?p=1&id=139>
13. <http://www.brusselsjournal.com/node/2306>
14. <http://www.broderskap.se/index.aspx?site=broderskap.se&page=nyheter&postid=524>
15. <http://www.frontpagemag.com/Articles/Read.aspx?GUID=86EB8647-47BB-40DA-917A-1E5BD44EA35B>
16. <http://www.jihadwatch.org/dhimmiwatch/archives/011610.php>
17. <http://www.thelocal.se/7057/>
18. <http://46.951.7.437plusf19:ZLdgrly387716981091Xf>
19. http://webmail.moonstar.com/index.cgi?NOFRAMES=TRUE&BACKGROUND=http://kurtlundgren.webblogg.se/1186429870_knul
20. http://www.lborgarmrket_fr_e.html
21. <http://48.597.7.722subf96:HHlmjkc956368426722fK>
22. <http://fjordman.blogspot.com/2005/12/immigrant-rape-wave-in-sweden.html>
23. <http://www.erixon.com/2/blogg070826.htm#8>
24. <http://www.ynetnews.com/articles/0,7340,L-3263653,00.html>
25. <http://www.brusselsjournal.com/node/1862>
26. <http://www.thelocal.se/3464/>
27. <http://www.mises.org/story/1937>
28. <http://democracyreform.blogspot.com/2007/08/why-are-worst-mass-murderers-from-left.html>
29. <http://memri.org/bin/articles.cgi?Page=archives&Area=sd&ID=SP98805>
30. <http://www.islam-watch.org/IbnWarraq/Fascism.htm>
31. http://en.wikipedia.org/wiki/The_Book_of_One_Thousand_and_One_Nights
32. <http://www.militantislammonitor.org/article/id/2543>
33. <http://www.frontpagemag.com/Articles/Read.aspx?GUID={2F3D0002-45DD-48C3-8EEF-E1ECA1DA52A8}>
34. http://www.americanthinker.com/blog/2007/02/jung_on_hitler_and_islam.html
35. <http://www.signandsight.com/features/1382.html>
36. <http://signandsight.com/>
37. <http://democracyreform.blogspot.com/2007/08/democracy-and-media-bias-by-fjordman.html>
38. <http://www.brusselsjournal.com/node/938>
39. <http://www.frontpagemag.com/Articles/Printable.aspx?GUID={B3EBE5BF-CD12-4168-878D-F705E8C3BB4F}>
40. <http://gatesofvienna.blogspot.com/2006/06/political-correctness-revenge-of.html>

2.69 The Closing of Civilisation in Europe

Europe's current problems are entirely self-inflicted. This does not mean, however, that the result will be less catastrophic. By subverting the roots of its own Judeo-Christian culture – a process that started with the French Enlightenment (as opposed to the Scottish Enlightenment, which was not anti-religious) – a religious and cultural vacuum was created at the heart of European civilisation. The collapse of faith in its own values has, not surprisingly, led to a demographic collapse because a civilisation that no longer believes in its own future also rejects procreation. Today, a new religion and culture is supplanting the old one. There is little one can do about it, but hope for a miracle.

America's immigration problems pale in comparison with what confronts Europe. America's major ethnic minorities – Blacks as well as Hispanics – are Christian, while the mainstream culture is also rooted in Christianity. In Europe a secularised post-Christian culture is facing a Muslim one. The secularised culture is hedonist and values only its present life, because it does not believe in an afterlife. This is why it will surrender when threatened with death because life is the only thing it has to lose. This is why it will accept submission without fighting for its freedom. Nobody fights for the flag of hedonism, not even the hedonists themselves.

One could also put it in a slightly different way: Europe lacks what America still has, namely the so-called "conservative reserves," or as the German sociologist Arnold Gehlen explained over 30 years ago, "the reserves in national energy and self-confidence, primitiveness and generosity, wealth and potential of every kind." Every so often I travel to the U.S. to recharge my batteries, and I am not the only European Conservative to do so. From time to time one needs to breathe the air of freedom before submerging again in the stifling atmosphere of Europe.

America's "conservative reserves" are far stronger than Europe's, because America, unlike secular Europe, has remained rooted to a larger extent in traditional Christian values. I do not doubt that if these values continue to decline in the U.S., American culture will collapse as European culture and civilisation have collapsed. However, America can learn from the impending European catastrophe, and avoid a similar fate.

The old European civilisation – the pre-secular or the pre-post-Christian one – will live on in the U.S. If it perishes there too, mankind will relapse into the dark ages that are now taking hold of Europe, the cradle of Western civilisation.

I suppose one could feel sad about all this, but sadness is not what I feel. One can feel compassion for those who die in accidents, fall in battle or get murdered (like the countless unborn children that perish every day) but can one pity those who have killed their own future for the pleasures of the present? Europe's predicament, I repeat, is entirely self-inflicted. Not Islam is to blame. Secularism is.

The coming decade will witness the war between the values of Islam and the secular "values" of the decadent, hedonistic post-Marxist Left. We have seen the assassinations of Pim Fortuyn and Theo van Gogh, last November's prelude to the French civil war, the Danish cartoon case. This is just the beginning of the beginning. I do not consider myself a pessimist, merely a realist. It is quite clear who is going to lose – and whose fault that will be.

Source:

<http://www.brusselsjournal.com/node/852>

2.70 Give the Nobel Peace Prize to Ayaan Hirsi Ali

Today, Al Gore and the Intergovernmental Panel on Climate Change, represented by Dr. R.K. Pachauri, will receive the Nobel Peace Prize for 2007 in Oslo, Norway. The Peace Prize has been viewed by many as something of a joke after it was awarded to the Jihadist Yasser Arafat and to appeasers of Jihad like Jimmy Carter. However, it still generates a lot of media attention. If the Nobel Committee wants to stay relevant they need to do some changes. The greatest challenge to world peace right now is not global warming, it's global Jihad. I therefore suggest that the next Peace Prize should be awarded to Ayaan Hirsi Ali.

I have had a few minor disagreements with Hirsi Ali in the past, mainly because she has on some occasions compared Islam to other religions like Christianity and Judaism, which I believe is wrong. However, her views on this have matured considerably, and because of her background she has made criticism of Islam acceptable to people who would otherwise find it difficult to digest the arguments she presents, even though they are perfectly correct. She is no doubt an extremely courageous person. In spite of death threats she has never hesitated in pointing out that many of the problems in the Islamic world are caused by Islam itself. She is an invaluable asset to the fight against global Jihad and as worthy of the Prize as any other living person.

In my view, the Norwegian Nobel Committee will soon have to make a choice: If they want the Nobel Peace Prize to be a Global Celebrity Award for Outstanding Achievements in Political Correctness, they can give the next one to Bono of rock group U2. Or, they can do something meaningful, something that will actually advance the cause of peace and human liberty around the world, and award the Nobel Peace Prize for 2008 to Ayaan Hirsi Ali.

Since members of national assemblies and parliaments can nominate candidates for the Prize, I hereby challenge MPs from the Progress Party in my country, or MPs from any infidel nation, to nominate Hirsi Ali. Other alternatives can be mentioned, too. Ibn Warraq, Ali Sina and Wafa Sultan are all worthy recipients of the Prize for their work and for championing the rights of one of the most abused and oppressed groups of people on the planet: Former Muslims who defy the traditional death penalty for leaving Islam.

Or, if the members of the Committee want somebody with a non-Muslim background, what about Dutch politician Geert Wilders, who has remained steadfast in opposing Islamisation despite the murders of his countrymen Theo van Gogh and Pim Fortuyn and the exile of Hirsi Ali? Author Robert Spencer, director of the website Jihad Watch, who patiently monitors the spread of Jihad terrorism across the world, is another excellent choice, as is Bat Ye'or, whose unique work on the plight of non-Muslims under Islamic rule has contributed immensely to our understanding of both the past and the present.

Being Norwegian myself, I would also like to make a suggestion to Norwegian authorities: Norway is, or at least was the last time I checked, the planet's third largest exporter of oil, after Saudi Arabia and Russia. If Saudi Arabia, the world's largest exporter of oil, spends money on promoting Jihad and sharia, is it not fair that Norway, the world's third largest exporter of oil, should spend a little on combating the same? The Norwegian Petroleum Fund amounts to hundreds of billions of dollars. Norwegian authorities could easily create a fund of a billion dollars or more earmarked for the defence of persons threatened for criticising Islam. That's the least we can do in return for being blessed with wealth we did very little to earn.

This fund could be called the Theo van Gogh Memorial Fund, the Asma bint Marwan Memorial Fund after the poetess who was killed by Muhammad's followers 1400 years ago for mocking Islam, or perhaps the Charles Martel Foundation for Intercultural Understanding. Most citizens in my country wouldn't even notice if we spent a billion

dollars on this, but such a fund, whatever we choose to call it, could have a big impact on the lives of people struggling to get their message across or simply to stay alive in the face of death threats.

It is true that smaller nations cannot win major ideological wars on their own, but that is no excuse for not doing our share. Israel is also a small nation, yet it has managed to hold the line against Jihad for decades, and Denmark, the only Scandinavian country with some spine left, has left its mark, too, in recent years.

We can make a difference. Norway was the fourth-largest shipping nation in the world at the outbreak of WW2 and was of major importance to the allied convoys in the Atlantic which kept the war efforts alive. A British publication stated that the Norwegian Merchant Fleet then was "worth as much to the allied cause as a million soldiers." We are currently faced with a world war of a different nature, and if we can make contributions that matter for the outcome of this great struggle for freedom then we should do so. It's time to make a stand. I would like my country to be remembered for something other than awarding the Nobel Peace Prize to Yasser Arafat or for sponsoring the Palestinian government and their terrorist cronies.

Source:

<http://www.brusselsjournal.com/node/2755>

2.71 Nobel Peace Prize Awarded for Appeasement of Jihad... again

By Fjordman

Granting this year's Nobel Peace Prize to Finnish diplomat Martti Ahtisaari[1], known for his role in establishing a Jihadist state in Kosovo, makes the Peace Prize even more of a joke than it already was. Those who want an alternative view on the situation in the Balkans can read the essays of Serge Trifkovic and his book *Defeating Jihad: How the War on Terrorism Can Be Won — in Spite of Ourselves*.

As Chief United Nations negotiator for Kosovo, Ahtisaari caused anger in Serbia when he stated that "Serbs are guilty as a people," implying that they would have to pay for it, possibly by losing Kosovo. It is one thing to criticise the Milosevic regime. It is quite another thing to claim that "Serbs are guilty as a people." If anybody in the Balkans can be called guilty as a people, it is the Turks, not the Serbs. The Turks have left a trail of blood across much of Europe, Asia Minor, and the Mediterranean for centuries, culminating in the Armenian genocide in the 20th century, which Turkey still refuses to acknowledge, let alone apologise for.

As I've indicated before, if the Peace Prize is supposed to serve any real purpose, it needs to be awarded to persons who confront Jihad, not appease it like Martti Ahtisaari and Jimmy Carter, or promote it like Yasser Arafat:

As I have written previously in "Give the Nobel Peace Prize to Ayaan Hirsi Ali[2]":

In my view, the Norwegian Nobel Committee will soon have to make a choice: If they want the Nobel Peace Prize to be a Global Celebrity Award for Outstanding Achievements in Political Correctness, they can give the next one to Bono of rock group U2. Or, they can do something meaningful, something that will actually advance the cause of peace and human liberty around the world, and award the Nobel Peace Prize to Ayaan Hirsi Ali.

Since members of national assemblies and parliaments can nominate candidates for the Prize, I hereby challenge MPs from the Progress Party in my country, or MPs from any infidel nation, to nominate Hirsi Ali. Other alternatives can be mentioned, too. Ibn Warraq, Ali Sina and Wafa Sultan are all worthy recipients of the Prize for their work and for championing the rights of one of the most abused and oppressed groups of people on the planet: Former Muslims who defy the traditional death penalty for leaving Islam.

Or, if the members of the Committee want somebody with a non-Muslim background, what about Dutch politician Geert Wilders, who has remained steadfast in opposing Islamisation despite the murders of his countrymen Theo van Gogh and Pim Fortuyn and the exile of Hirsi Ali? Author Robert Spencer, director of the website Jihad Watch, who patiently monitors the spread of Jihad terrorism across the world, is another excellent choice, as is Bat Ye'or, whose unique work on the plight of non-Muslims under Islamic rule has contributed immensely to our understanding of both the past and the present.

Being Norwegian myself, I would also like to make a suggestion to Norwegian authorities: Norway is, or at least was the last time I checked, the planet's third largest exporter of oil, after Saudi Arabia and Russia. If Saudi Arabia, the world's largest exporter of oil, spends money on promoting Jihad and sharia, is it not fair that Norway, the world's third largest exporter of oil, should spend a little on combating the same? The Norwegian Petroleum Fund amounts to hundreds of billions of dollars. Norwegian authorities could easily create a fund of a billion dollars or more earmarked for the defence of persons threatened for criticising Islam. That's the least we can do in return for being blessed with wealth we did very little to earn.

This fund could be called the Theo van Gogh Memorial Fund, the Asma bint Marwan Memorial Fund after the poetess who was killed by Muhammad's followers 1400 years ago for mocking Islam, or perhaps the Charles Martel Foundation for Intercultural Understanding. Most citizens in my country wouldn't even notice if we spent a billion dollars on this, but such a fund, whatever we choose to call it, could have a big impact on the lives of people struggling to get their message across or simply to stay alive in the face of death threats.

Source:

<http://gatesofvienna.blogspot.com/2008/10/nobel-peace-prize-awarded-for.html>

1. <http://www.adnkronos.com/AKI/English/Politics/?id=3.0.2568763782>

2. <http://www.globalpolitician.com/23884-islamism>

2.72 Green is the new Red - Stop Enviro-Communism!

You might know them as environmentalists, enviro-communists, eco-Marxists, neo-Communists or eco-fanatics. They all claim they want to save the world from global warming but their true agenda is to contribute to create a world government lead by the UN or in other ways increase the transfer of resources (redistribute resources) from the developed Western world to the third world. They hope to accomplish this through the distribution of misinformation (propaganda) which they hope will lead to increased taxation of already excessively taxed Europeans and US citizens.

The neo-communist agenda uses politicised science to propagate the global warming scam in order to implement their true agenda; global Marxism. Marxism's ultimate goal is to redistribute wealth from successful nations to failed nations, instead of actually trying to fix these broken nations. Politicised science is being used by the cultural Marxist hegemony to manipulate the unsuspecting masses. They are using our trust and faith in science to spread lies and hysteria that will allow Marxists to implement socialist "solutions" to a problem that never actually existed.

To quote one of these UN eco-Marxist elites:

"Isn't the only hope for the planet that the industrialised civilisations collapse? Isn't it part of our responsibility to bring that about?"

This quote was from the opening statement of Maurice Strong in the 1992 'Earth Summit' in Rio de Janeiro. Strong is the first Executive Director of the United Nations Environment Program (UNEP).

Yuri Bezmenov, former KGB agent and expert on ideological subversion.

"A person who is demoralised is unable to assess true information"

Here are a few more sources indicating the true agenda of the eco-Marxists:

"Environmentalism should be regarded on the same level with religion "as the only compelling, value-based narrative available to humanity," according to a paper written in 2007 to influence the future strategy of the United Nations Environmental Program (UNEP), the world's would-be environmental watchdog." [1]

Watch how nations are demoralised for ideological subversion:

http://www.youtube.com/watch?v=o_xdBnFPqOI&feature=related

That's exactly what is happening with the Anthropogenic Global Warming scam; too



many people are too demoralised to assess true information about Socialism, Communism, and climate change to allow its use for other agendas on the hands of the useful idiots "the leftists" as former KGB agent Yuri Bezmenov calls them.

Enviro-communism is a new twisted idea of redistribution of wealth through "environmental" policies and the Copenhagen Climate Change Conference 2009 is the perfect manifestation of it. Environmental Justice is the new Social Justice; Climate Debt is the new Redistribution of Wealth, Anthropogenic Global Warming scam is the Communism.

Under current Copenhagen draft treaty, developed countries are expected to fund clean energy in developing countries, which could result in an annual transfer of almost € 100 billion per year by 2020.[2]

Please see Lord Christopher Monckton's speech:

http://www.youtube.com/watch?v=PMe5dOgbu40&feature=player_embedded

PLEASE read the SHOCKING Communist Goals (1963) that already started being implemented and will be discussed next December in the Copenhagen Climate Change treaty drafts 2009:

<http://www.uhuh.com/nwo/communism/comgoals.htm>

Barak Obama received the Nobel Peace prize for exactly the same reason Al Gore did. The prize is given by Thorbjørn Jagland, Chair of the Nobel Committee who was also the Vice President of Socialist International. One can think they are pushing a global agenda of Enviro-Communism or Eco-Marxism that will force Europe and the US to cater for the global Eco-Marxist agenda. Their end goal is to "punish" European countries (US included) for capitalism and success.

The Marxist agenda of the Climate Change Conference 2009 was to discuss the totalitarian idea of World Government, transfer of wealth from Western countries to 3rd world countries under what they call "Climate debt", because allegedly western countries have been burning CO2 and 3rd world countries haven't!

Have you tried breathing in a third world country lately?

It is a fact that developed countries are by far less polluted than developing countries, where people are actually dying from pollution. "Transferring wealth" to 3rd world countries under an unelected world government, to countries that are mostly governed by autocratic rulers will only help the sustainability of dictatorship, pollution and fascism, and more plights to the citizens living under these regimes by supporting their dictators financially to sustain regimes that would otherwise collapse by their own demeanor. The aim of this Conspiracy is to help the sustainability of 3rd world Communism, Socialism and dictatorship to save the fanatic leftist forms of government while weakening Capitalism by what they call "climate debt".

You can give Communism all the new colours you want, fascism will always have the same ugly face.

Climategate incident – exposing the eco-Marxist scam

On Thursday 19th November 2009 news began to circulate that hacked documents and communications from the University of East Anglia's Hadley Climate Research Unit (aka CRU) had been published to the internet.

The information revealed how top scientists conspired to falsify data in the face of declining global temperatures in order to prop up the premise that man-made factors are driving climate change.

The documents and emails illustrated how prominent climatologists, affiliated with the UN's International Panel on Climate Change, embarked on a venomous and coordinated campaign to ostracise climate skeptics and use their influence to keep dissenting reports from appearing in peer-reviewed journals, as well as using cronyism to avoid compliance with Freedom of Information Act requests.

Here follows a compendium of articles and videos on what was quickly dubbed as "ClimateGate".

The full story:

[3] CLIMATE BOMBSHELL: Hacker leaks thousands of emails showing conspiracy to "hide" the real data on manmade climate change

[4] Climategate: the final nail in the coffin of 'Anthropogenic Global Warming'?

Hiding the Decline:

[5] Hacked E Mails: Climate Scientists Discuss "Hiding Decline" In Temperatures

[6] Mike's Nature Trick

[7] McIntyre: The deleted data from the "Hide the Decline" trick

[8] Hide The Decline – Climategate

[9] Bishop Hill's compendium of CRU email issues

Sources:

1. http://www.foxnews.com/projects/pdf/113009_IISDreport.pdf
2. http://www.europa-eu-un.org/articles/en/article_8975_en.htm
3. <http://www.prisonplanet.com/climate-bombshell-hacker-leaks-thousands-of-emails-showing-conspiracy-to-hide-the-real-data-on-manmade-climate-change.html>
4. <http://www.prisonplanet.com/climategate-the-final-nail-in-the-coffin-of-anthropogenic-global-warming.html>
5. <http://www.prisonplanet.com/hacked-e-mails-climate-scientists-discuss-hiding-decline-in-temperatures.html>
6. <http://www.prisonplanet.com/mike%E2%80%99s-nature-trick.html>
7. <http://www.prisonplanet.com/mcintyre-the-deleted-data-from-the-%E2%80%9Chide-the-decline%E2%80%9D-trick.html>
8. <http://www.prisonplanet.com/hide-the-decline-climategate.html>
9. <http://www.prisonplanet.com/bishop-hill%E2%80%99s-compendium-of-cru-email-issues.html>

Effective communication and consolidation

"In a time of universal deceit - telling the truth is a revolutionary act."

George Orwell

2.73 Consolidating the moderate cultural conservative forces of Europe

Creating the foundation for a Second European Renaissance, pre-2083

The essence of consolidation for all European cultural conservative is:

1. Defining who we are and whom we are willing to include/exclude
2. Describing the problem/what we want "fixed"
3. Conclusions/Solutions/The way ahead

It's an extremely complex subject which eventually boils down to the following:

We (the moderate cultural conservatives of Europe) will need to create a consensus (a political ideology preferably) which must appeal to AT LEAST 20-35% of the Western European population (which makes up the bulk of the moderate right wing in Europe today). It's worth noting that aprox. 70% of European patriotic conservatives are male while only 30% female.

The new political ideology has to be inclusive enough so that enough Europeans support it. At the same time it has to "solve" the current weaknesses of the Western European countries.

The problem with today's political climate and political correctness in general however is that it is considered inappropriate and offensive to discuss 1. and 2. Therefore it is considered even more so to even mention 3...

The cowardice that most people show (by their reluctance to discuss this) is appalling, even among conservatives. If the moderate conservatives DO NOT, then extreme conservatives will, and we eventually risk ending up with another nasty/racist form of fascism (thanks to the moderate cowards who for various reasons were reluctant to contribute).

I believe Europe should strive for:

A cultural conservative approach where monoculturalism, moral, the nuclear family, a free market, support for Israel and our Christian cousins of the east, law and order and Christendom itself must be central aspects (unlike now). Islam must be re-classified as a political ideology and the Quran and the Hadith banned as the genocidal political tools they are.

Someone once said: " Believe in something or be defeated by anything" which describes Western Europe's problem correctly at the moment.

Fjordmans book; "*Defeating Eurabia*" concluded with the following points;

- Mass Muslim immigration will continue (or more precisely, the cultural Marxists/multiculturalists will continue to import voters).
- Muslim birth rates remain above 3 while non Muslim birth-rates remain below replacement rate.
- The Muslim "ghettofication" process in major cities continues (less than 50% of Muslims will be considered "successfully integrated" in the future).
- The majority of Muslims continue to abide by the ground rule of Sharia: a Muslim girl will never be allowed to marry a *kuffār*. Most people today forget that this rule is the most important rule within Sharia and theoretically places 90% of all Muslims in the same category as Islamists.
- The factors above results in a scenario where the "Muslims/Multiculturalist alliance" remain in power (despite that more and more non-Muslims move right in the political landscape). They therefore set a stop to all democratic attempts or "solutions" which can stop or reverse the Islamisation of that specific Western European country. It basically cripples the democracies and uses the democratic mechanics against the non-Muslims).
- 2030 - Muslims reach critical mass (20%), which basically means that the MI6 or other European intelligence agencies will not be able to stop all attacks.
- 2070-2080 - the Muslim population becomes a majority - 50%+.

When will the silent majority (middle class) react or get involved in the struggle?

You would think people would have some sort of reaction to the destruction of their own culture and civilisation.

However, people in general won't react until they feel that they are allowed to do so. But that moment will come, perhaps sooner than we think (most likely when Muslims reach around 50% in either the Netherlands or France).

Today (phase 1) people refrain from reacting since they live in economic prosperity, and to stand up for their ideas would send them into suffering. However, in a few decades we will have an economic downfall that will make the current recession look like a picnic. And at that point standing up for their ideas will come at no extra cost, since the suffering is already prevalent.

What will trigger Phase 3 (civil war)?

There will not be any "fertile ground" as long as the European countries are prosperous with minimal unemployment. When that changes in the time frame 30-70 years, combined with the nation going towards Muslim majority this will all change. The never ending flood of Muslim demands is calculated to break the budget, jam the bureaucratic gears into gridlock, and bring the system crashing down. Fear, turmoil, violence and economic collapse would accompany such a breakdown providing perfect conditions for fostering radical change.

It may be relatively peaceful until "something" triggers a confrontation. This "something" can be a combination of an economic depression resulting in massive unemployment, riots getting out of hand, an assassination or a terrorist attack by an Islamist group or Anti-Jihad group.

The confrontation has a cascade effect which results in a similar scenario as that of Lebanon. The rebellion will eventually develop into a civil war. Para-military organisations

will be created on both sides (Muslims + cultural Marxists vs. the cultural conservatives/nationalists).

The conservatives of that specific Western European country are screaming for "a strong leader or group" who can "approach and solve" this problem (70% of men, 30% of women will support this – a total of 25% of the people or 50% of all non-Muslims).

By studying all available data, we know that once the Muslims reach approximately 50% of the population there will be a conflict which is likely to result in enormous human suffering. At that point, morality will lose its meaning. The question of good and evil will be reduced to one simple choice for us; Survive or perish. The "strongman" is what we are headed for. He's not what we want; he's just the inevitable endgame.

Consolidating our forces in phase 1, 2 and 3

We must work hard in the coming decades to create and develop Anti-Jihad or other forms of Cultural conservative movements. Our objectives will be to recruit the youths of our society (15-30) whom will be the bulk of the physical defence of our cultural conservative ideology.

The cultural conservatives vs. the racial conservatives

Whoever manages to attract the youths of a society will have the best possibility to secure power and implement the changes of the given political ideology.

If racist organisations succeed where we have failed, then we know what will happen. Unfortunately for us, the intelligence agencies of Europe are currently doing everything they can to prevent the creation of any type of militia, that being CC's or RC's. The media on the other hand will go to great lengths to put us, the cultural conservatives (anti-Jihad movements etc.) in the same category as the racial conservatives. To them it's black and white; According to them, everyone who is not considered "politically correct" must by default be racists or Nazis...

Organisational work in Phase 1 (2009-2030)

We must spend the next 20 years wisely and continue our work on creating a pan European conservative consolidation, a new conservative political ideology (a political ideal) which has the potential to appeal to a MINIMUM of 20-35% of Western Europeans, including the bulk of our youth. The creation of cultural conservative student organisations in Universities all over Europe must be a priority.

In order to do this we have to agree on a consensus for creating a modern, "un-tainted", cultural conservative, patriotic youth movement which will prevent our youths from joining NS or WN movements. This movement should be somewhat like the equivalent of Russias Nashi movement (Putins youth movement - 120,000 members aged between 17 and 25). They are anti fascist/anti Nazi, but still patriotic conservatives.

Our goal in phase 1 is to take the current "anti-Jihad movements" to a second level, approach, cooperate with and/or merge with Christian movements and other cultural conservative movements (who agree on a set point of principles).

In order for us to do this we have to agree on a given set of principles and be accommodating when approaching other conservative movements.

Our aim should be to:

1. Create a pan European student/youth movement (at universities, high schools, social activities). For example call it: "Young Europeans", "Christian European Renaissance Movement" or just "Renaissance Movement" (Attempting to unite Christians, anti-Eurabians, nationalists and other types of cultural conservatives).

2.74 Organisational strategy for phase 1; Better communication and cooperation among cultural conservative groups

Learning from cultural Marxists/multiculturalists

It's clear they've done more than merely mess up our countries; they've also, quite intentionally, messed with our minds.

As it turns out, messing with our minds wasn't just one part of the plan; it was the essential goal of the entire plan of conquest (Implementation of the EU's Eurabia project/European multiculturalism/Islamisation of Europe). They used sociology, social psychology, linguistics, and a subtle understanding of human motivation to get into our heads and change the way we processed reality itself, in ways that made it impossible to question all the other things they were up to.

Ending cultural Marxist/multiculturalist dominance will require us to undo the vast memetic and ontological damage they've wrought on two entire generations of Europeans. We have no choice but to fight this fire with fire of our own. And the first thing we need to do is understand, very specifically, how they did it. Fortunately, this isn't hard: the basics are all laid out in their original written plans.

We must win the people over culturally—by defining how man ought to act, how he ought to perceive the world around him, and what it means to live the good life.

What is the meaning of life? How should we relate to each other? Our families and communities? Other nations? God? The planet? What is good, and how do we recognise it? What is evil, and how should we respond?

These are the basic ontological questions on which our ability to parse the rest of reality depends—the foundations of every human's cognitive model of the world. Change these underlying assumptions, and the way we prioritise and evaluate everything else in the world necessarily changes, too. We must recognise this and focus on selling the cultural conservative worldview, via every possible channel. We must make this the central focus of our movement. Once we get them to accept our basic assumptions about reality (rationalism), we know, the rest of our agenda will follow naturally.

We must set ourselves up as a daring and controversial counterculture that offers an original and rebellious alternative to the prevailing set of cultural Marxist/multiculturalist assumptions.

Our status as a mass movement begins and ends with our ability to inspire the masses to share our worldview. Promoting that worldview is the only goal that matters; and every action we take should be aimed at moving us toward that outcome. When that

epistemology is widely accepted, implementing our policies will proceed easily and naturally, with minimal opposition.

Unfortunately, we're starting from a place of weakness. cultural Marxist/multiculturalist ideals are far more compelling (emotionalism, multiculturalism, humanism which has led us towards the ongoing Islamisation of Europe), however they are suicidal to any civilisation and cannot be accepted or tolerated. History teaches that all great civilisations who have fallen in the past have been self defeated. A civilisation is born on rationalism and defeated on emotionalism. Our goal is to prevent our civilisation from dying by basically "resetting" the current values by replacing them with our "old core, rational and cultural conservative values. Implementing our principles throughout Europe which will be known as the second cultural European renaissance can only be done after assuming power politically supported by the military. Before that is even possible Europe will burn once again, people will die, but Europe will be reborn as strong as it once was.

Everything Europeans do, the institutions and physical infrastructure we build, the investments and decisions we make, the goals we set and the ideals we cherish, emerges from and is evaluated according to our essential assumptions about how the world works. Getting people to understand and embrace the basic premises of the conservative (rationalist, cultural conservative worldview is the first and most critical step to creating a lasting progressive era in Europe. When that's accomplished, we can set about reforming every one of society's institutions so that it reflects those values starting with school curriculum's and disallowing cultural Marxist propaganda in the mass media.

People may be desperate for change and some new ideas—but even so, we'd be wise not to underestimate how much time it's going to take to remove all the constraints they've put on people's thinking. We'd be even wiser to become very energetic about promoting ourselves as a new, fresh alternative counterculture that's not afraid to confront a crusty and crumbling status quo.

Convince Europeans we're trustworthy to lead

Our biggest problem will likely be that the public (after decades of cultural Marxist/multiculturalist brainwashing) simply don't trust us to lead. So we must focus on fixing that perception, a process that may take several decades. We must persuade the countries of Europe that the cultural Marxist/multiculturalist regimes where and are suicidal, corrupt, inept and completely unworthy of trust. If we want a permanent cultural conservative regime (despite our non-democratic methods), we have to reach out to inspire and earn the country's deep trust in our ideas and our leadership. We need their loyalty for the long run.

Align strategy with tactics...

We have a growing army of wonderful, energetic, skilled activists out there doing the organising and moving the message. We also have a smaller and very much neglected cadre of strategic big-picture thinkers who are looking way out ahead, figuring out where we want to go and how best to get there. And not only do the two factions seldom talk—when they do talk, they often find they're not even speaking the same language. Activists dismiss strategists as thinking too big-picture, and not understanding the realities on the ground. Strategists see the activists running off in all kinds of directions, instead of aligning their energies and focusing them on well-chosen small battles that will pay off in much bigger victories down the road.

Its important to speak in large generalisations about principles, values, and large-scale visions of what the world should be. This is energising to strategic thinkers, who see the

same big picture and who understand that you have to create that kind of overarching vision of the change you want to create before you can fill in the details. However, that same style drives wonkier folks crazy: they're very uncomfortable with that lack of detail. They don't want the big-picture stuff; they want to know exactly what is to be expected.

It's cheering to realise the cultural Marxists/multiculturalists have had ongoing issues with this exact same problem. But it also points up the sobering truth that we won't experience a smooth transition when we take power unless we also learn how to bridge that gap so we can maximise the skills of both groups. We need to get the people who are capable of plotting long-range strategy linked up closely with the people who have the tactical skills to execute it—and both sides need to have the wisdom to know and respect that they're bringing different but important things to the table.

Invest in creating elite tacticians

No successful movement goes anywhere without a tightly-knit, trusted, trained core of elite activist leaders who are all working for the same goal. It is more important to have a few impassioned members than a large number of largely indifferent members." If the core is energetic, smart, and strong, all the rest will naturally fall into place around it.

The cultural Marxists lacks a tradition of respecting their most experienced leaders. It's a common liberal conceit to think that any one of us could do what they do.

Conservatives on the other hand have a tradition of respecting and falling in line with our most experienced leaders. Good followers without constant second guessing. There's a time for big consensus-building all-in conversations; but there's also a time to stop talking, fall in line, and do what needs to be done without backbiting or second-guessing the decision. This is our biggest strenght. We believe in something constant, our culture and national identity and many of us are willing to die for it.

The biggest weakness of the cultural Marxist/multiculturalist mindset is that they lack a grand scheme; they act on short term intuition, emotions and short sight-ness. They think only 5-10 years ahead while we think 30-50 years ahead.

Cultural Marxists lose a lot of good leaders simply because they get tired of trying to keep all the frogs in the wheelbarrow, which takes their focus off of the more important task of getting the wheelbarrow where it's going. It's one of the most typical ways in which they burn out their own most talented folks.

Our biggest flaw is our unwillingness for inclusiveness. When people have had enough of the cultural Marxist/multiculturalist culture, we need to embrace them and make them feel at home among us.

They need to come voluntary though. Building a movement is a sales job—but the sale is closed when they accept our terms, not when we bend to meet theirs.

Our worldview and principles are absolutely central to the entire long term goal, and should never be compromised for anyone. If someone don't agree, fine. Take it or leave it. We will not fudge our own convictions in the hopes of drawing off a few more supporters from less significant sub-groups. We know that in time these little compromises form the cracks that undermine the entire movement.

Everyone needs to know that we are a purely defensive movement. We didn't start this fight that is leading us to cultural suicide. They did, the cultural Marxists/multiculturalists. We are simply doing what is necessary to protect European culture and to make sure we won't end up under Sharia law.

The cultural Marxists have since the 1960's used powers of the country to squelch our movement, using whatever pretext they are able to invent. Unfortunately, these persecutions have not created the expected sympathy.

The battle we face is the same one our ancestors fought; and we owe it to their memories to fight it hard and well.

Don't underestimate the resistance

There is no excuse for ever being surprised by the ferocity or ingenuity of cultural Marxist/multiculturalist attacks.

But if we're in this fight to win, we need to get serious about being prepared for to make sacrifices and attack them relentlessly where it hurts the most. After all, we have far less to fear from them than they do from us.

They are bound by the shackles of Emotionalism, their achilles which eventually will lead to their downfall. We, as rational thinkers, don't suffer under the strong Emotionalist ethical lines which prevents them from taking the necessary measures.

When the time is right we will make a ruthless effective push that will make them run in fear. We, after all, have a conviction worth dying for; to secure freedom for people of Europe and prevent a third wave of Islamic invasion.

We will eventually be able to punish our unjust oppressors.

Our weakness: Passivity

An excessive amount of intellectualisation divorced from application in the real work is a kind of escape from reality, or the creation of a virtual reality. Thinking becomes tired, static, and inward-looking. People become more interested in creating mental utopias than having a real impact on society. There is a place in society for abstract, academic discussion. This is not that place."

We spend so much time sharing our esoteric enthusiasms, complaining about stuff nobody else cares about, and reaffirming each others' worldview that we fail to do the real work of the movement, which is getting out there and winning new hearts and minds to the cause. We become hypersensitive (and sometimes downright surly) in the face of earnest questions from outsiders who don't understand the secret language of our groupthink. We build up walls that keep new members out, and harden into a cloistered elite that has no room for newcomers.

If the goal is to build a mass movement, those developments are absolutely fatal. And the only way to avoid it is to insist that our groups stay open to new members and ideas, and actively engaged with work that promotes our ideas in the hostile climate of current cultural Marxist/multiculturalist Europe.

2.75 Copying Marxist organisational strategies and networks – locally, nationally and internationally

The following study was conducted in Norway but many of the results and findings apply locally, nationally and internationally.

Comparison (political influence vs. number of members/supporters):

FrP (Progress Party – mod. cultural conservatives) – 23% – 25k members

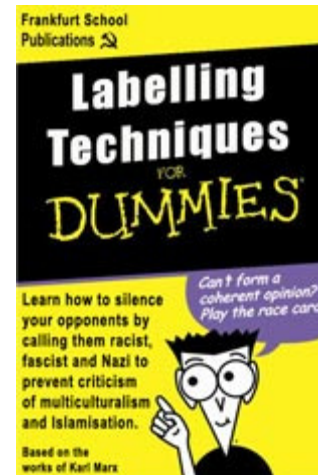
Rødt (Red – Marxists) – 1,3% in 09 election – 1,7k members

They are violent and few but they are extremely effective and talented at what they do. A relatively small group (50-100) of hardcore Norwegian Marxists are doing a remarkable job at gaining and exercising political influence in various fronts. In order for conservatives to succeed, they must copy the Marxist strategies. We must actively use deceit and use our networks as force-multipliers so that we may manage to exercise a disproportionate amount of influence. Let's try to look at their methods and organisational structure/pattern and draw some conclusions on how cultural conservatives can learn and improve on organisational strategies.

This group of Marxists have a large pool (approximately 10 000 in Norway) of non-violent activists which they rally and demonstrate with (not including their Muslim support groups). The Marxist political party "Rødt" (Red) is a micro party with only 1700 members. *KrF – Christian Democrats* in comparison have 38 000 members, *Senterpartiet* have 22 000, even the small cultural conservative party *Demokratene* (Democrats) have 5000 members. *SV* (Socialist Left Party) have 9000 members but only a fraction is as active on the demo front as *Rødts* members. Many of *SVs* members are "sofa-radicals", especially among the older members.

The Marxist party *Rødt* is extremely efficient when it comes to organising events and arranging various demonstrations. Their leaders are aggressively creating "front-organisations" everywhere. An alternative strategy they are known for is to infiltrate other established organisations and reform them from within: f. example *Natur & Ungdom* (Nature and Youth - a well known environmental activist organisation) and *Målungdommen* (cultural organisation dedicated to promoting Norwegian dialects). They were also founding organisations such as "*Samebevegelsen*" (A Sami minority organisation) in the 70s and several other minority organisations. They created *Kvinnefronten* (Feminist Front) and several important environmental organisations. Nevertheless, *RV/AKP/Rødt* have lost control of a couple of the organisations they helped create such as *Anti-Rasistisk Senter* (Anti-Racist Center) and a couple of other minority organisations. However, they are still ideologically close to them and they usually end up demonstrating/rally together in order to create the biggest possible alliance.

An average *Rødt* (Red) activist is a member of 10-15 other organisations. This is how they manage to convert a single voice into something ten times as powerful (a form of force-multiplication). They use each of the organisations in the public debate to maximise media penetration. In comparison, where the second largest political party in Norway – *FrP* (a moderate cultural conservative political party) only have one single voice, hardcore Marxists have 20-30 voices in the public debate through various organisations spanning over several fields. I would say every single *Rødt* member is worth 50 times as much as each *FrP* member and more than 1000 times as much as an average Norwegian pensioner when it comes to influencing society. Not really how we would imagine a democracy?! The reason is because the average *Rødt* member is so active when it comes



to aggressively seeking positions of influence in addition to attending and organising various demonstrations and events. These individuals are actively seeking influence in many aspects of society through various fronts and disguises. As such, the direction of the public debate and development is highly influenced by a relatively small Marxist faction of the population, namely those who organise and participate through various fronts, NGOs and interest groups which they again use to pressure politicians. This is one of the primary reasons why today's politicians, media and NGO leaders (who predominantly propagate cultural Marxist doctrines) are pushing an agenda that the majority of the people oppose on several key areas. I mean, common, who wants to see a de-Christianisation of Europe or a systematical destruction of European traditions, culture, identity and nation states? The politicians are continuously pressured from a multitude of fronts, idealistic organisations created or infiltrated by the cultural Marxist 68 generation in Norway and Western Europe in general. Many of these politicians chose the path of least resistance and allow themselves to be manipulated by the "dominant elite Marxist mob". They do not care about public opinion or the will of the people. Their standard tactic is to bulldoze over the public opinion, the will of the people and any poorly organised resistance (the silent and poorly organised majority). They use labelling techniques and other fascist authoritarian means to achieve their goals: their goals being political domination and implementation of Marxist doctrines. Multiculturalism is to them a tool to effectively destroy every shred of European culture and identity in order to implement a borderless Marxist utopia. Their alliance with Islam is only a short term strategy until everything European has been destroyed. They will then destroy Islam (they hope) and include all the ex-Muslims in the utopian Marxist borderless super state.

So who is the typical member and from where do they recruit new members? How motivated are they and how far are they willing to go to achieve their goals?

The cultural Marxist extremists in *Rødt* and similar Marxist organisations recruit primarily young idealists from secondary schools, high schools and other youth arenas. They often recruit under false and deceptive idealistic banners we all have sympathy for (anti-racist, pro-minority, pro-gay, anti-war, pro-environment, pro-wildlife, helping Palestinian children and similar organisations). These cover organisations are again exploiting the system (or perhaps the system was designed for this...) by receiving public funding per member. This is another reason why the average hardcore Marxist is a member of 15-20 organisations at once.

As an illustration:

The cultural conservative political party FrP with 25 000 members receive approximately 150 NOK in public funding per member which totals 3,75 million NOK (450k Euro) per year in public subsidies. In addition *FrP* charges 200 NOK from each member per year.

Now, the busy little bees of *Rødt* (1700 members) and allied cultural Marxist organisations control more than 15-20 NGOs. They cynically set the annual member fee to a minimum (5-50 NOK) and actively pursue their pool of 50 000 or so sympathisers for cross-membership (membership in several organisations).

The result is 15-20 NGOs under their control with extremely bloated member lists (cross members). By using this strategy they gain an un-proportionate amount of influence, something they know perfectly well how to take advantage of. In addition, they earn millions of Euro annually. Our journalists refuse to pursue this abuse of power as 99% of Norwegian journalists are multiculturalists and thus have certain sympathies for more hardcore political entities.

The Marxist activists are having a field day every single autumn when the new students arrive from small towns and rural areas to attend our various Marxist dominated universities. During the introductory week each autumn these Marxists political activists

spend a lot of time recruiting new students. They usually arrange the coolest parties, have the coolest student social clubs, the most active student organisations and usually create the best marketing brochures and effects.

In the universities they recruit their members from the country's future power elite and they gradually and systematically channel these new conscripts into their social networks for more ideological indoctrination.

Rødt has a front-organisation for everything, something for almost every imaginable taste: for solidarity with Africa or Palestine, for the environment, for feminism, for promotion of dialects, against rape, for human rights, against commercial, for asylum seekers, against capitalism, for culture (rock, hip-hop, art etc), for international solidarity, against Christianity, against pornography, etc. it goes on and on.

And the new naive students are channeled through these numerous smaller fronts where they are presented with more indoctrination from already established and more experienced Marxists. Some of these new recruits end up in the political party *Rødt* or in their newspaper *Klassekampen* (War of the Classes). The end result (after attending university) is a new generation of hardcore leftist political activists ready to continue to implement Marxist doctrines in society. The new generation Marxists recruited from the best of our youth right under our nose.

However, after a few years, a majority of these students realise how the world works and reject some of the earlier teachings. Many of them end up as highly influential individuals, moderate cultural Marxists (multiculturalists) and support more moderate leftist doctrines along the lines of the Labour Party. These individuals very often seek power positions within politics, government agencies, politically oriented NGOs, media companies and within the education sector.

It's worth noting that areas the Marxist are unable to penetrate and dominate are faculties in the fields of economics and law which on the other hand is dominated by cultural conservatives. This also includes the police academies the military and several private sector fields.

Marxist organisations such as *Rødt* and their many *Blitz*, *AFA*, *SOS* fronts therefore function as initial recruitment centers or boot camps for the more established and moderate leftist movements which continue to dominate Western European regimes.

This is the reason why the Labour Party and other leading European political parties keep a protective hand over the extreme Marxist movements like *Rødt*, *AFA*, *Blitz*, *UAF* etc. The European cultural Marxist establishment's relationship with extreme and even violent Marxist youth organisations is equivalent to the relationship the NSDAP had to Hitlerjugend and similar organisations in the previous century. Why would they contribute to destroy their own boot camps?

If we, the cultural conservatives want to democratically succeed in the future we simply have to copy these strategies. The problem here however is that cultural conservatives (and most anti-Marxists) generally lack an idealistic and voluntary mindset. I can personally attest to this. I didn't originally intend to work for free as an ideological warrior. I, as a majority of my friends, was driven by the lust for personal acquisition and prestige like a majority of cultural conservatives. Screw everything and everyone right, it was me, myself and I. Why do you think the Marxist 68 generation managed to successfully implement multiculturalism and various other Marxist doctrines? Where the hell was the cultural conservative 68 generation? The answer is simple. They didn't care about politics as they generally lacked an idealistic mindset and were instead busy working, providing for their families. Many worked as small business owners or with economics and law. Our parent generation (the 68 cultural conservative generation) had

the same flaws we have today. We are egotistical and greedy zealots driven by our lust for personal acquisitions/prestige completely lacking a political idealistic drive.

There are still many of us who have always been or at least have become politically active and we might witness a trend shift. This is because an increasing number of people are waking up and seeing that much of what they learned at school or read in the MSM press is a lie. That our societies are spiraling down fast towards the abyss and we have to stop it. But tbh. I doubt we can ever fully match the idealistic spirit of the Marxist as it is not in our nature. Historically, we have usually waited until the last possible second before reasserting control. This is not something we can rely on as it is simply too risky. We can't risk waiting until the Muslims are 50% of the population or we will end up as Lebanon, as a terrorised dhimmi minority in our own lands. The worst case scenario would be that we are completely and utterly annihilated by Marxist-Islamic forces. The Marxists will be wiped out by the Muslims as well, but at that point, we are already dead.

Conclusion:

Small groups of hardcore Marxists act as force-multipliers and control (through hard work and a myriad of organisations) an extremely disproportionate amount of the public debate and direction. The extreme Marxist youth organisations operate as boot camps for the moderate and established political leftist parties and organisations.

This proves that a micro minority has the potential to exert a massive amount of influence in a country if they play their cards correctly. As few as 50-100 politically active individuals CAN considerably influence a country of 4-5 million. The same principle applies for the international community as well. The global cultural Marxist mafia (the current world order) now effectively control all Western European countries (Greece, Italy and Denmark excluded), the US (Obama), Canada, the UN and a majority of the major NGOs. The cultural conservatives MUST copy the organisational efforts of the Marxists locally, nationally and internationally.

There are numerous international examples of micro groups influencing a country or area disproportionately as they operate as force-multipliers.

Examples are the Taliban (less than 5%) in Pakistan. A small group can cause civil war and inflict havoc in a country. The multiculturalists are saying that it is unproblematic that 5-15% of Western European Muslims support Al Qaeda ideologically. WRONG. 5-15% can bring any country to its knees!

10% of the Ummah make out more than 140 million individuals. If only half of them (5%) declare Jihad the results will be irreversibly catastrophic. The Bolsheviks where only counted a few hundred in 1910, the National Socialists was a micro party before the crack in 1929 etc.

2.76 Public opposition to Islamisation translated into success for political parties

It has been found that in the country where the public is the most opposed to Islamisation, Greece, there is no successful populist right party, but that in two of the three Scandinavian countries where the public is the least opposed to Islamisation, there is such a party.

The gist of the findings of such studies is that opposition to Islamisation is widespread in all Western European countries. The question they raise is, why is this opposition not translated into success for anti-immigrant parties in certain countries like Sweden, Germany and the UK?

The answer is:

It is not the message itself but rather the credibility of the actor who delivers it that makes the crucial difference. "Reputational shields" are therefore thought to be helpful to political parties on three levels:

- 1. As a valuable resource for the anti-immigrant party in elite debate
- 2. As external justification for voters
- 3. As internal justification for voters.

Unfortunately, this is the case for BNP, they lack "reputational shields" on a couple of areas, lacking a secondary platform and "un-tainted" leadership.

For example, a party that has a legacy as an agrarian party will be able to use its reputation shield to fend off criticisms from other elite actors accusing the party of racism and extremism. By contrast, old fascist parties or brand new parties do not have such reputational shields at their disposal when facing such criticism. Second, a voter can more easily justify voting for a party proposing radically restrictive immigration policies to his or her peers and community as not being an act in support of racism or extremism if the party in question is known for promoting "other policies", too. Third, voters can more easily justify their choice to themselves as not being motivated by racism when the party in question has a "reputational shield".

BNP and a few of these parties really needs a solid "secondary platform. F example as a "tax cut" party, or "law and order" party. It will take them a few years if they avoid making future mistakes (if they implement this agenda). The potential is there.

All anti-Islamisation parties of Western Europe should study the "Norwegian model". The Progress Party, currently the most successful anti-immigration party in Europe, (www.frp.no) currently enjoying 27% on the polls (q1 09) and received 22% last election. It has a "reputational shields" as it started out as a "tax cut" party but took on anti-Immigration in the early 90's. They have a good strategy where "modern rhetoric" and several "female" spokespersons is a part of the picture.

Britain, France, and Sweden are stuck in this quagmire in particular. Tainted "right wing" leaders (background from racial conservative movements) who are indirectly dissallowing the Jihadi resistance movement from reaching its full potential. However, as noted in another chapter, it is unlikely if remaining too moderate in the foreseeable future will allow any party to gain any influence whatsoever though. Perhaps remaining small and much more "hardcore" is the way to go afterall? Germany, on the other hand, is a special case though. The country still suffers from severe psychological trauma and is simply unable to mount any form of political defence.

2.77 Cultural conservative/nationalist rhetorical strategies

To focus on a specific issue first. Using progressive and tactical rhetoric. Using appropriate rhetoric is essential in communicating a message successfully.

The word "race", "white", "ethnic" or "nationalist" for that matter should never be used in modern debates with adversaries or individuals who may have been subject to severe indoctrination. These words are so stained by history and post-war media coverage that you are basically just undermining yourself and the message you seek to communicate by actively using them. It's wise to limit the use of all words that has stigma attached as well as or the cultural Marxist/multiculturalist mainstream media will attempt to label you as a bigot. If you use the word "race" you are basically contributing to committing character assassination of yourself or will contribute to self-defeat of the organisational goals you are representing. You need to understand the following; the modern European man/women has been indoctrinated or conditioned in a way that he is likely to run for the hill or active subliminous mental defensive blocks if you use rhetoric containing these words in your attempt to reach out to him or her. Ill try to explain this more thouroughly as this applies to me as well. In a world where the absolute arch sin is to be a Nazi, words who are associated with Nazis must be avoided at all costs, regardless of the justification for associating them with given ideology. I have researched this quite thouroughly as I have discussed immigration, European identity and culture with hundreds perhaps thousands of individuals over the years. My intention for discussing is often to reaffirm my beliefs by getting the individuals to agree with me (which is normal when you discuss politics with someone). In other words, I am initially assessing the individuals knowledge level before deciding which rhetorical strategi I am to use. If he is a humanist (naive), I will use a specific approach, a different one if he is a true cultural Marxist and yet another if he is a capitalist globalists. I have programmed in perhaps a hundred different rhetorical approaches wheter the individual is a national Bolshevik or a laizzes faire capitalist.

included most of the facts and arguments I actively use in this compendium so everyone has the oppotunity to become a master debater if he or she so chooses. The clue to win over new sympathisers or supporters it done efficiently by telling them how the world works but by asking the right questions or rather excellent arguments disguised as questions.

I use demographical data a lot, f example: Lebanese example (once a Christian country, now Muslim) and add:

What is your reasoning for believing that Western Europe will not end up as Lebanon from a demographical standpoint?

And if, let's say, Western Europe is likely to end up as Lebanon, shouldn't Europeans be allowed to prevent this from happening?

Or a couple of other examples:

You say that preserving Tibetan culture is a just cause, that the Chinese strategy of dempgraphical warfare using Han Chinese settlers is immoral. Why do you then oppose European patriots trying to preserve European culture?

You claim that you are an anti fascist. But why do you ridicule Europeans demonstrating outside Wahhabi Mosques when Wahhabism is clearly a fascist ideology. Doesn't this make you a hypocrite?

Using fact based arguments disguised as questions are killers and works extremely well. I have coached several hundred individuals around the world in rhetorical strategies and have thus contributed to win over hundreds perhaps thousands of new supporters and sympathisers.

I have aprox. 2500 Facebook contacts at the moment. Whenever I put up a new story (usually involving the current suicide of Europe) I get many comments. My general rule is to delete all posts containing naughty words (listed above). The reason is that these words act as deterrents and paralyzes the debate. Patriotic "more politically correct" individuals who would normally comment will be afraid to comment after a any definition of "blurb posts" containing f example one or more words: "white" "race" "genocide" "civil war".

In their mind they are terrified to somehow be associated with given individual as they fear being labelled as a racist. The thought paralyzes them and activates their self preservation mechanics which again tells them NOT to post. It's sad but we cant really do anything but to adapt to the reality that so many patriots are indoctrinated to a point where they are completely brainwashed.

Whenever I ignore sensor of these words in debates, I end up with 5 or less commentators. On the other hand, if I sensor any comments containing these words I usually get more than 15 individual commentators (TRIPLE the amount).

The lesson we can learn from this and other examples are: the end goal is the only relevant thing. Containing your rhetoric within certain politically correct parameters is the only logical approach to go. Not doing is will often be counter productive or self defeating.

The example of self containment should be used in other rhetorical circumstances as well. We have the truth. Now HOW do we communicate the truth most efficiently? There are counter productive ways and optimal ways to communicate the truth based on which individual or target group you are communicating to.

If your target group is clearly a victim of systematic institutionalised indoctrination like most humanists are, telling the truth directly, "in simple words", will just contribute to activate their mental defensive mechanisms which will scare them away. Instead, you must articulate yourself through very vague illustrations which almost indirectly will allow the individual to ask himself essential questions (also known as mental conditioning or anti-indoctrination rhetorical strategies). For examples, see essays published at sites with more moderate cultural conservative lines.

Evaluating one example:

Multiculturalism is an anti-European hate ideology used to deconstruct European cultures, traditions, identities and national states.

This statement would be just too brutal and direct for many indoctrinated people and would possibly scare them away. There is always room for considering what is the most optimal thing to say and what is counter productive. I've seen several 10 page essays which boils down to the above conclusion, brilliantly written. In many cases, that 10 page essay could win a supporter while the small statement could scare them away. It all depends on the individual and of course what your goal is. For a large pan-European organisation with huge ambitions it would be smart to think long term and tread softly, while individuals who are debating 1 on 1 or with a smaller audience will usually use

more "powerful and direct rhetoric" usually designed to ridicule or undermine rhetorical adversaries.

Preserving your reputation shields to achieve maximum penetration/ influence towards all target groups

Let's say you are a spokesman who wants to target various conservative groups (with different ideological backgrounds – percentage indicates current potential for sympathisers):

1. Hardcore white supremacists or certain hardcore NS (>5%)
2. White nationalists – 14 words etc. (>10)
3. Cultural conservatives (15-30%)
4. Moderate cultural conservatives (critical to multicult) (30-35)
5. Pro-multiculturalist conservatives (40-60%)

Different types of rhetorical strategies must be applied to all the above groups. Usually a serious political party will use quite moderate cultural conservative rhetoric knowing that he will by default win all the more dedicated sympathiser base.

If you use rhetorical strategies designed for group 5 you will appeal to all the other groups etc. However, if you use rhetoric designed for group 3 you will be considered too extreme by target group 4. and 5.



Preserving your reputational shields involves using the correct rhetoric. Which groups would you want to reach out to in the future. Think 10 -20 – 30 years ahead. Because past choices will be used against you by the cultural Marxist establishment should you ever choose to become "more ambitious".

Sadly, this is not the case with the left wing as Barroso is a clear example of. It is a well known fact that he used to be a member of the Portuguese Communist party, yet NO media company has ever tried to character assassinate him as they would have done with any and all cultural conservative.

Opportunistic political parties or larger organisations may decide to "sell out" their most essential principals in order to increase potential support. There are examples of political parties in Europe who used to be 2. but who reformed into 5. with the hopes of becoming "political relevant". This can end as a political disaster as that organisation or political party is ending up in a situation where they are censoring themselves to a degree that they in fact become irrelevant. This may also open up the possibility for new players right of them with more credible principles. Some conservative parties have ended up supporting multiculturalism which just underlines that they have defeated themselves and should no longer be allowed to call themselves conservatives.

As for target groups to reach out to; forget about cultural Marxists or more hardcore Marxists. No matter how good your arguments and documentation is, they have decided they do not want to hear the truth. Instead, focus on humanists and naive or ignorant people in general – the great bulk of people. THAT is where the potential for support is. Use deceptive means when required, the worst and most incompetent debater is ALWAYS the most sincere debater. They are swallowed and chewed to bits in seconds and are generally vulnerable to character assassination. This is why 95% of all politicians are liars or manipulators of truth, they wouldn't be successful politicians if they weren't exactly that unfortunately.

Modern politicians tend to use the words: non-Muslim, conservatives, cultural conservatives, Christian European, "the indigenous peoples of Europe, or native European, or if I absolutely have to - ethnic European when describing "Europeans". Some of these words are relatively "inclusive" and can appeal/reach out to all specters of the right wing including the Christian Movements in addition to free market liberals.

Furthermore, it can be smart to limit the use of words like: ethnic groups, but rather focus on Islam, non-Islamic, Muslims, non-Muslims. Also, use the term: anti-Islamisation instead of anti-immigrant. As for trying to describe a threat, focus on Global Islamic Ummah and dhimmitude (yes, some educating into the meaning of some words will have to be included). People in general are unfamiliar with many of the "new words" so certain explanatory comments would be required.

The use of a clearly defined "rhetorical strategy" is the essence of success for all Conservative politicians, master debaters and leaders. Unfortunately folks older than 40 tend to blurb up "dirty outdated rhetoric" now and then, while people younger than 40 are usually more disciplined in regards to rhetorical containment.

Also, I've said this before several times. It's a strategic mistake to use "nationalist" or "national" in a political party name - the case with BNP and National Front. There is too much stigma attached to the word and many people will subliminally see parallels with Nazi Germany.

Furthermore, it can be a strategically smart to use female spokespersons in debates involving immigration and Islamisation (topics that for many people traditionally has evolved around "angry, single, white men")

We didn't create these rules, but it's in our interest to follow them if we want to more successfully distribute our messages.

Consider Islam as a disease you can take advantage of. The Islamisation of Europe and the ongoing demographic warfare being waged against Europe by the Global Islamic Ummah is basically THAT SOMETHING that will bring the cultural conservatives together and eventually to power (within 40-70 years). So in the mean time, it's essential that the older generation cultural conservative start adapting to this "new reality" and start updating their rhetorical strategies or shut the hell up.

On a different note, Racial Conservatism is dead and should not IN ANY WAY be linked rhetorically to Cultural Conservatism (Racial Conservatism died in WW2).

Our battle on the other hand involves Cultural Conservatism, our duty and right to resist Cultural genocide and Islamic demographic warfare. Cultural Conservatism has NOTHING to do with Racial Conservatism. Learn from past mistakes and exercise rhetorical containment.

But what about the relevance of the terms "ethnicity" and "race"?

Ethnicity has always played a significant factor in every single conflict, and I believe it will in the future as well whether we like it or not. Just look at Iraq. It's a text book example of ethnic war - Kurds vs. Sunni Arabs vs Persian Shias. Turkey: Turks vs Kurds etc. It's not a secret that ethnicity is closely linked to culture in a majority of countries worldwide.

In fact, Islam is one of the most racist political ideologies in the world. Usually when a society has been 90%+ Islamised the Arabisation process begins with often financial support from Saudi and other Arab countries. This is the case in Mauritania and several African countries. Systematic "Arabisation" efforts are being ignored by western media and academia which on the other hand are blindly obsessed with implementing multiculturalism.

In Europe today, where a majority of individuals have been a victim of institutionalised multiculturalist indoctrination for several decades it's essential that we exercise rhetorical containment. Not with the intention of appeasing the cultural Marxists/multiculturalists but rather with the intention of protecting ourselves from the mine field which is cultural conservatism. The cultural Marxists/multiculturalists WANT us to use "flagged" rhetoric as it will make it very easy for them to label us as bigots.

I don't think individuals who use "flagged rhetoric" understands the concepts of "reputational shields". In fact, I very much doubt they have studied modern right wing rhetorical strategies which is extremely important to individuals as well as for political parties. It is not the message itself but rather the credibility of the actor who delivers it that makes the crucial difference. An individual using "flagged" rhetoric such as "race", "race war", "white people", "black people", "Jews (in the same sentence as race for example)", "ethnic (in the same sentence as Jews)" - are triggering every imaginable mine put up for him which in turn will completely obliterate his "reputational shield" (if he ever had one). Therefore he is not only undermining his own efforts, but he risks pushing other "moderate conservatives" away. They might distance themselves as it might affect their individual "reputational shields" by being affiliated with flagged individuals.

So even though ethnicity and race still is relevant, it is not in our best interest to talk about it. If we do, we are only increasing the risk of destroying our own credibility which is lethal for individuals aspiring to reach a large audience (politicians etc). This will undermine and limit the impact and distribution of their future messages (which is the case with BNP and National Front to a certain degree).

As Muhammad once said: War is Deceit (al-Taqiyya). Many Muslims are masters of deceit, and it's time we start adapting to these realities as well.

Cultural Communism is one of the most deceitful ideologies out there (next to Islam). It's a deceitful, racist, fascist, hate ideology bent on the eradication of Christianity and Western Culture.

Multiculturalism has never been about tolerance. It is an anti-Western hate ideology championed as an instrument for unilaterally dismantling European culture. As such, it is an evil ideology bent on an entire culture's eradication, and we, the peoples of Europe, have not just a right, but a duty to resist it.

The key is preserving our reputational shields using strategic rhetoric.

National, Nationalist, nationalism?

As for the specific word, "nationalist" or nationalism, it's debatable. Personally, I feel that the word is stained by history, or smeared to oblivion by Marxists, and thus I feel it may be counter productive to use it at least for a political party going for the 35% mark, although I know that many people will disagree.

End note:

I might be mistaken regarding the above "growth strategy". An overinflated right wing political party, who has sold out most of their principles, might be able to delay a Muslim majority for a few decades at best but may end up as completely irrelevant when the window of opportunity arises for a potential political coup in the future as they have kicked out all their leaders who had a spine. Under given circumstances, a smaller right wing political party with a minimum of "intact principles" against multiculturalism may prove to be a lot more relevant when it comes to saving the country. The coup makers would not trust a bloated right wing party which by many would be considered a part of the problem.

2.78 US and European nationalist rhetorical differences

The ongoing US cultural war is fundamentally different from the European and the rhetoric clearly reflects the differences.

You cannot and should not mix the European struggle with the US struggle and therefore should not use similar arguments when discussing the two struggles.

European patriotism vs. US patriotism

American conservatives in general (anti-Marxists) should learn the following;

Marxism has two primary components; socialistic economic policies and internationalism (multiculturalism/cultural Marxism). You are not a nationalist, not even a conservative by its very definition, if you support multiculturalist doctrines. The reason is that multiculturalism is anti-nationalistic by design. Multiculturalism is designed to deconstruct European traditions, culture, identity and even the nation state in order to create the one world Marxist utopia. Many Americans fail to comprehend this fact.

Different challenges

The important difference between the US and Europe is that our issues are quite different. We have been flooded with 25-30 million conservative and relatively poorly educated Muslims the last 5 decades, by our traitor leaders, while the US are in a quite different situation. In relation to the cultural challenges of Europe, Christian immigration cannot be compared to Islamic.

The different challenges are manifested by the use of different rhetorical strategies. Europeans have a different basis for justifying our rights and we have slightly different concerns. When an American nationalist discuss with a European he will immediately bring up race as this factor correlates with the US issues (Mexican immigration, African Americans etc). Using this form of rhetoric will cause a majority of Europeans to "run for the hills". The reason is because a great majority of Americans and Europeans have gone through decades of multiculturalist indoctrination. Everyone should know this by now and should be more considerate when choosing their rhetorical approach, because the most essential thing at this point is to continue to build a broad and strong consolidation of conservatives. For Europe, this rhetorical approach will for the most part involve cultural defence relating to Islam(isation) as it is the only issue at the moment that has the potential and potency to unite enough conservatives.

As the primary goal is a broad and realistic consolidation, the discussion of deeper aspects of conservatism is counterproductive. At least for Europeans.

Tactical approach - European vs. white, victimhood vs. supremacy

The average "conservative" in the US is NOT a nationalist (anti-internationalist) but a libertarian (republican – pro capitalism and pro multiculturalism). A majority of US conservatives have no understanding of the concepts of political nationalism. After all, they have no experience with these doctrines and often mistakenly confuse them with fascism. Those Americans who are in fact nationalists are almost always ethnocentric and are often associated with rhetoric related to "14 words movements". This represents the first major divide as Europeans do not identify themselves as "white" but European. "White nationalism" does not exist in Europe. The reason is because Americans have been indoctrinated to suppress their European heritage (they don't generally identify themselves using the term European-American) and many have therefore instead adopted the term "white". The 14 words principle: "we must secure the existence of our people and a future for white children" reflect the typical US "white nationalist" mentality and should never be used by a European individual. The term is indicative of a so called "race struggle" and therefore NOT necessarily a struggle for indigenous rights. Europeans on the other hand do not fully understand the potency of using rhetoric related to "indigenous rights".

Rhetoric related to "indigenous rights" is an untapped goldmine which has currently been deluded and sidetracked due to "rhetorical contamination" from the US. If you use "white nationalist" rhetoric you are instantly placed in the same category as Hitler. This is not the case with rhetoric related to indigenous rights as this rhetoric is usually related to the Aboriginal or Native American struggles. Some of the reason why many nationalists reject the "indigenous" argument is because it is generally used by a group who has been defeated. Both the Australian aborigines and the Native American forces fought hard for their rights but both were utterly annihilated due to the fact that they lived in the Stone Age when the Europeans first arrived. Some nationalists thus associate these arguments with rhetoric of victimhood and defeat. The masochistic nature of some nationalists (so called white nationalists in particular) turns them off from using this form of rhetoric and they instead contribute to defeat themselves by using rhetoric associated with supremacy. While I do not condone the "victimhood hype" in any way or form the fact remains that playing the victim card is the most potent strategy of our times. Refusing to use a logical and pragmatical approach in this regard (due to some primitive need to feed individual egos) is counterproductive and highly destructive.

Are we a "Sitting Bull[1][2]" or a Hitler of our time?

The difference between other indigenous rights movements and the European indigenous rights movements is that we have not in any way been defeated militarily. The European armed indigenous rights movements/resistance movements are just starting to emerge and this will continue in the coming decades. The armed fight for our survival lies ahead of us.

The outcome of the Aboriginal and Native American struggle established a crystal clear precedence which dictates that the indigenous peoples of a specific territory have undisputed exclusive rights in their own lands. If this is the case for Aborigines in Australia and Native Americans in the US, shouldn't that be the case for Europeans in Europe as well? The fact that the cultural Marxists, anti-nationalist humanists and globalists outright refuse us the same basic human rights prove without a doubt that THEY are in fact the racists, that they are the fascists and Nazis of our time.

Using this type of rhetoric will significantly damage the Marxists moral justification for our persecution, the armed forces of the European Resistance Movements. They will have a much harder time finding the legal and moral justification for branding us as terrorists as we are in fact fighting for our indigenous rights (compared to the Islamic terrorists who are fighting for world domination – a global Caliphate based on Sharia law). We are no more terrorists than the indigenous Brits who fought against the imperialistic Roman invaders, or the Americans who fought against English rule. We are no more terrorists than Sitting Bull, Crazy Horse or Chief Gall who fought for their people against the imperialist General Armstrong Custer. Our struggle will be a lot easier if European nationalist (indigenous rights activists) use smart and defusing arguments instead of using supremacist arguments which can be efficiently squashed through psychological warfare propaganda or by anti-Nazi policies. Yes, we are fighting the imperialistic Marxist doctrines. The only difference is now, WE are the Sitting Bulls, Crazy Horses and Chief Galls and the imperialistic Custer's of our time is called Barroso, Blair, Brown, Merkel and Sarkozy.

And who in today's political climate want to be associated as the persecutor and butcher of Sitting Bull and who is fighting for his peoples indigenous rights? The indigenous argument is an incredibly potent weapon which more or less is completely untapped. Europeans should never use "14 words" rhetoric as it is coined for European Americans. It is a self defeating argument, if ever used in Europe, as it automatically places you in the same category as Hitler.

The estimated potential forces of all armed European Resistance Movements is approximately 13 million (compared to the defeated Aboriginal force of 5000-10 000 and the Native American force of 100 000+). The only difference is that a majority of the patriots involved are not willing to fight and die for the cause just yet as long as we live in economical prosperity.

The most pragmatcal way to move forward is to play the victim card in combination with cruel methods of armed resistance. We must literally focus all our efforts at creating an optimal environment for recruitment. This can only be done if we manage to cripple all Western European economies through financially crippling sabotage operations and cynical shock attacks which will devastate the stock markets and severely undermine the Euro, causing a favourable climate for recruitment. This approach is formulated in this compendium.

1. http://en.wikipedia.org/wiki/Battle_of_the_Little_Bighorn
2. http://en.wikipedia.org/wiki/Sitting_bull

2.79 Educating the European patriots who lacks ideological confidence

It is extremely important that the cultural conservatives/patriots/nationalists in Europe who are ideologically confident take responsibility and educate/encourage the non-confident nationalists.

So what is a non-confident nationalist and how do I approach him?

Every ideologically confident nationalist should take note of the following.

DO NOT make this war about race or ethnicity. You have to keep in mind that most people in Western Europe have been systematically indoctrinated for the last 4-5 decades. So opening liners such as the following is guaranteed to push people away:

"hail brother, fight by our side in the ongoing race war, we are going to destroy the ZOG and kill all the Jews, sieg heil brother!

I consider myself to be quite ideologically confident but had anyone said this to me, I would probably run for the hills and ignore any future encounter with that individual. Somehow, internal filters against these words are all hardcoded into the base thought patterns of a majority of Europeans through decades of multiculturalist indoctrination. Statements like that manages to trigger absolutely every red flag and alarm in the average European telling him to get the hell out of there. It is essential to understand this and that many people would rather commit suicide or live under slavery/harsh dhimmitude than to become a Nazi or fight for the Nazi cause. Because today's Nazism isn't the sum of the individual doctrines of National Socialism! It has rather become a massively bloated phenomenon - a reincarnation of pure evil itself. Demonising Nazism has through 6 decades of indoctrination (the most unparalleled indoctrination campaign witnessed in the history of man) which has developed into an unconscious established truth. As such, and due to the actual negative and evil aspects of this ideology, it is pointless to try to resurrect it in any way or form. Regardless of this obvious fact, many old school nationalists are still using this crap to try to recruit people.

In order to connect with the ordinary man you must understand that he is a modern man who has travelled a several decade long journey through multiculturalist institutions. He is completely brainwashed so tread carefully and take the required precautions. You have to understand his pain and concerns in his everyday life. The fear of Islamisation is the most pressing concern for most Europeans and Islam is NOT a race. So avoid talking about race. It is a cultural war, not a race war! If you do believe it is a race war, then keep it to yourself as it is un-doubtfully counterproductive to flag those views.

A cultural conservative is a closet nationalist, who is just using different rhetoric to avoid the stigma. It is often a strategic choice. The concept of nationalism appeals to less than 15-20% while the concept of cultural conservatism has the potential to appeal to as much as 35% although there is basically little difference. After all, three decades of multiculturalist indoctrination has taught me to adapt to the currently hostile environment we are living in.

Approximately 70% of Western European males would sacrifice their lives to prevent Europe from being conquered by Islam while less than 10% would sacrifice their life for their race. As such, it isn't exactly rocket science to foresee which ideology (with given rhetorical strategies) will win over the "modern patriot".

Waking up enough of our fellow Europeans will take several decades. Do not expect him to accept and embrace the light immediately; especially when we are fully aware of that he has been thought to avoid the light.

2.80 3 point guide to convert your right wing blog/site to a newspaper/magazine with national distribution

I've spoken to numerous successful and less successful right wing blog/news-site/Facebook "reporters" over the years and the general opinion seems to be that the creation and distribution of a paper-magazine/newspaper is so incredibly difficult and problematic. I can honestly not understand why people feel this way. This is why I will present a 3 step guide to how you and anyone can take the step from internet distribution to paper distribution with national coverage. This is not as hard as people might think it is. Also, many people will argue: "paper distribution is dead, internet is the future!" While this certainly seems to be the direction we are headed you cannot and should not underestimate/ignore paper distribution yet. Creating a "paper" presence will be essential to reach a greater number of European patriots.

Illustration case example: Document.no

Document.no is a Norwegian right wing blog/site equivalent in content to *BrusselsJournal.com*, *GatesOfVienna.blogspot.com*, *JihadWatch.org* or *AtlasShrugs2000.typepad.com*

Current distribution in Norway: 9000 unique weekly hits and growing

Content: The site is relatively "academically heavy" compared to the tabloids but the content is excellently written. Approximately 60% are news articles/essays translated from other sites while 40% are essays/stories written by the editors, primarily critique of multiculturalism and the multiculturalist elites of Norway/Western Europe.

Staff: Run voluntarily (unpaid) by 1-2 people.

Finances: currently funded by the owners/staff and by small contributions from the readers.

Paper distribution goal

Annual editions: 12 annual issues

Total distribution/production: 5000 copies

Price for subscribers: 5 Euros

Price in store: 10 Euros (5 Euros profit for store)

Initial distribution goal/method: I believe that a blog with 9000 weekly unique hits should be able to convert this base to at least 500-1000 initial subscribers. The initial goal for national coverage through stores/kiosks should be 2000-4000. The total number of printed copies would be aprox. 5000.

1. Planning phase; prepare for an initial production of 12 annual editions. It is wise to start of slowly with a magazine (monthly edition) and slowly build up your base until you are in a position where you can create a "5 times per week - newspaper". Total price will be 10 Euros per magazine whereas 5 Euros will be the cut to the seller (the kiosk/store selling it). You will split the distribution into: 1: Subscription (5 Euros per copy), 2: Sold at stores/kiosks (10 Euros per copy).
2. Convert 500-1000 unique readers into paying subscribers. This can be done through "in house" sales methods on the blog/site. Before you initiate your "in house sales campaign" I would recommend that you create a graphical illustration of the front page (jpg) of the first paper edition of the magazine to show people what they can expect (with perhaps a small appendix)
3. When the site/blog-owner has managed to acquire a minimum of subscribers (aprox 500-1000 minimum), they may finally contact the "director of distribution" in your countries

leading retail corporation(s) (the corporation that owns a majority of kiosks/small stores and evaluates which magazines they shall sell). Set up a meeting with him, bring a laptop and a nice PowerPoint presentation and present the editorial content and argue why it will be profitable for his company to allow your magazine to be distributed from their stores/kiosks. Add a graphical illustration of your first magazine to your PowerPoint presentation. You must present credible arguments especially from a business point of view. You should, however, also be prepared to defend the this conservative concept from a moral and democratic point of view. Larger countries such as the UK, France and Germany) will have several corporations like this so you will have to set up meetings with several of these directors. Under normal circumstances, and providing your presentation is good, your magazine will be given a "test period", where the "sales numbers" will be the deciding factor. End note: definition of hate speech - f example racist magazines will not be accepted but moderate magazines, such as magazines critical of multiculturalism, Islamisation, pro-culture etc. should be able to be accepted unless the director in question is a dedicated left winger. Create an initial/intentional distribution agreement; f example that you are allowed to sell your magazines from 500 stores/kiosks over a 3 month test period.

4. A monthly edited PDF file with articles/essays is to be prepared and sent by email to a commercial publication partner such as *www.07.no*. A company such as the "07 Group" is a wide range "publication partner" which can handle the following tasks:

Edit/design the initial PDF file template if necessary and edit/prepare it for print. If the staff/editors/journalists at the blogsite lacks basic PDF editing skills the publishing company can handle everything from design, editing, adding/creating graphics and extra text and they can even design a basic template for you. The end result will often be a template where the editor can just fill in content. Companies such as the 07 Group will then print the finished PDF file in the desired magazine format. In our case, this will be a standard magazine format with typically glossy front/back page and put together by two staples.

The publishing company will then apply addresses and send out the 500-1000 completed issues to your subscribers. They will then truck a shipment of 4000 magazines to the distribution central of the store/kiosk corporation.

5. As soon as the above is done, you may formalise (at this point you should already know how much you are going to pay) your agreement with the publishing company. The only thing to keep in mind is to follow point 1 to 4.

A sea of content available online ready to be distributed via paper

You do not have to be a writer genius to become an editor of a conservative newspaper/magazine. There is a vast ocean of well written stories, essays etc. critical of multiculturalism and in support the conservative view that has never been published by the MSM. There are probably more than 20-30 internet based right wing blog-news-sites which will gladly offer to forward their essays/stories to you as long as you credit them as the author. As such, anyone who wants to start their own English/French/German/Spanish speaking etc. conservative newspaper/magazine could easily gain access to a vast database of stories and articles presently unpublished in paper format and you would therefore not need to hire any journalists/reporters.

Costs related to paper distribution

I have acquired a price estimate from the largest all-in-one publishing companies in Oslo: 07 Group. Since the general price level in Norway is quite expensive I would assume that this would be even cheaper in other countries.

Distribution/copies: 5000

Format: 19,5x27,5 cm (standard magazine format)

Pages: 96

Press: 4/4 CMYK

Paper: 90g arctic volume white H or equivalent

Assembled: two metal staples (back-stapled)

Address printing on copies: 500 separate addresses printed on each copy from subscriber database

Packaging: freely on palette

Price for 5 000 copies: **4482 Euro** (without sales tax)

Price per copy: **0,9 Euro** (without sales tax)

Price per additional 1000 copies: **481 Euro**

The price is based on the following:

Material: The publishing company receive a PDF file from the blog/news site. The final file may be reviewed by the company before print.

End note: realistically, it is likely that at least 50% of publications attempting to go from the internet into paper format will fail, due to politically motivated sabotage or refusal from the distributor (after pressure from local or national government or other political left wing pressure groups. However, seeking national distributions for publications critical of multiculturalism should be a prioritised task and we owe it to everyone to do our best in this process. As of now, there are no cultural conservative paper publication in Norway, Sweden and several Western European countries. As for Denmark; BT and Jyllands Posten are considered somewhat remotely conservative.

Because our survival depends on it

“He who saves his country, violates no law.”

Napoleon

2.81 The Strategy of Western Survivalists

By Fjordman

I have mentioned several times the possibility that we never won the Cold War as decisively as we should have done. The enemy has been regrouping and now largely controls our media and educational institutions less than a generation after the fall of the Berlin Wall. We did not have public trials against the supporters of Marxism just as we did against Nazism. That was a serious mistake, and it is of paramount importance that we do not repeat it. If or when the European Union collapses and multiculturalism is defeated across the Western world, we need to stage public trials against the creators of Eurabia and the lies continuously told by our media and academia. They need to be exposed as evil and politically crushed.

This leads us to ask the following questions: Less than a generation after the fall of the totalitarian Soviet Union and its puppet regimes in Eastern Europe, we are watching the rise of the European Union, which is rapidly moving in a totalitarian direction in Western Europe. Some of the former Communist countries in Europe are now freer than their Western cousins, although this will soon change as they are indoctrinated by the EU. Is there a connection between the fall of the USSR and the rise of the EUSSR, as former Soviet dissident Vladimir Bukovksy[1] has indicated? Have we entered the Cold War, part 2? I notice how many former Marxists now passionately support multiculturalism and mass immigration, and listened to one prominent Communist “intellectual” in my country attack free speech as a concept a few days ago. Could the European Union ever have been a good idea, or was it flawed from its very inception? That’s something to ponder. I’m willing to consider the possibility that something “went wrong” with the EU at some point, but right now I’m leaning towards the conclusion that the EU has always been a flawed institution. Most of us just didn’t see it for what it was.

Lastly, I will focus on Milton Friedman, who along with F. Hayek is one of the villains of Klein’s book. According to her, Friedman has stated that “only a crisis — actual or perceived — produces real change. When that crisis occurs, the actions that are taken depend on the ideas that are lying around. That, I believe, is our basic function: to develop alternatives to existing policies, to keep them alive and available until the politically impossible becomes politically inevitable.” Friedman believes that during a crisis, we only have a brief window of opportunity before society slips back into the “tyranny of the status quo,” and that we need to use this opportunity or lose it.

This is actually very good advice, and it’s in my view the strategy Western survivalists should now follow. When I first started blogging I was concerned with how we could “fix the system.” I’ve gradually come to the conclusion that the system cannot be fixed, and perhaps shouldn’t be fixed. Not only does it have too many enemies, it also has too many internal contradictions. If we define the “system” as mass immigration from alien cultures, globalism, multiculturalism and suppression of free speech in the name of “tolerance,” then this is going to collapse. It’s inevitable.

The goal of Western survivalists — and that’s what we are — should not be to “fix the system,” but to be mentally and physically prepared for its collapse, and to develop

coherent answers to what went wrong and prepare to implement the necessary remedies when the time comes. We need to seize the window of opportunity, and in order to do so, we need to define clearly what we want to achieve.

What, exactly, is Western civilisation? What went wrong with it, and how can we survive and regenerate as a vulnerable minority in an increasingly hostile world?

Let the debate begin.

Source:

<http://gatesofvienna.blogspot.com/2008/06/strategy-of-western-survivalists.html>
1. <http://www.brusselsjournal.com/node/865>

2.82 Christianity, Pros and Cons

By Fjordman

Blogger Vanishing American[1] continues what is gradually becoming one of the most important discussions of our age: What role does, or should, Christianity play in Western civilisation? Is it the bedrock of our culture[2], as Robert Spencer of Jihad Watch thinks, and is our decline associated with abandoning it? Or is Christianity, as John Derbyshire puts it[3], a religion for once and future slaves, an ideology that is now fueling globalist ideals and undermining our borders through mass immigration?

The Christian-non-Christian divide is perhaps the most difficult divide to overcome within the West today. I'm struggling with this myself. Some of the criticism of Christianity, or at least the way many Western Christians are behaving now, is legitimate. I have heard Catholics claim that multiculturalism and Political Correctness are tied to Protestant culture. I'm willing to consider that possibility. There are significant doctrinal differences between Catholics and Protestants regarding redemption and the sinful nature of man. Maybe some of this is tied to the Protestant concept of "salvation through Faith alone." However, when it comes to just plain old-fashioned dhimmitude and abandoning national borders, Catholics are at least as bad as Protestants.

The Second Vatican Council from the 1960s was good for reaching out to Christians of other denominations, Protestant and Orthodox, and for reaching out to Jews. The problematic aspect is in relations to Islam. The big Achilles' heel of Christians in general, and of Jews, when confronted with Islam is the idea of a "shared community of monotheists worshiping the God of Abraham." As long as this myth is maintained, Christianity can actually in certain situations be a bridge for Islam to enter the West, rather than a bulwark against it. I have seen more than once Christians making common cause with Muslims as "men of faith" against the godless forces of secularism. I notice, however, that Christians hardly ever do the same with, say, Hindus, so it must have something to do with a shared sense of monotheism.

Christianity is growing fast in South Korea. It is interesting to see how newly converted Christians react in non-Western nations. I've been critical of Christianity sometimes because it is one of the impulses behind the Western inability to protect our borders, and it is. But it is Christianity within a specific cultural-ideological context that reacts like this. Koreans don't have the same problem, as far as I know. Nor did we, until the 1960s and 70s. So what changed? It can't all be related to Christianity, can it?

As vanishing American writes[4]:

These days we hear so many arguments against Christianity, such as from the 'proselytising atheists' like Dawkins and Hitchens, and then we hear the arguments from the secular right which attack Christianity for being too pacifistic. The atheists claim that Christianity fomented violence, and that it is as militant and bloodthirsty as Islam, or in fact worse, and on the other side, we hear that Christianity is a religion of slaves, which weakens and emasculates the West. So Christianity gets it from both sides; it's too militant, it causes wars and persecutions, and at the same time, it's a religion that turns men into milquetoast pacifists. Does this make any sense?

Christianity contains elements of both militancy and pacifism, but it is not one or the other. [...] We know that our forefathers did not believe Christianity commanded them to be pacifists, or to erase borders and nations. To assert that they, for centuries, were wrong and that we are the first generation to really understand Christianity and the Bible is arrogant in the extreme. If anything, we today, on the average, are far more ignorant than our ancestors where the Bible and the faith are concerned. If anybody is wrongly handling the word of God, it is likely to be us, not our forefathers. Their brains were at least not addled by nonsense and Political Correctness, and I trust the consensus of our forefathers through the centuries rather than the consensus among today's compromised generation.

In a comment on VA's blog one of his readers writes[5]:

I used to be a devout, practicing Christian. Today, I cannot recognise myself in any brand of Christianity currently available. Nor am I alone. Many of my friends tell me: "I can't enter any church now without having to leave my brain at the door."

In this regard, the evangelist, fundamentalist churches are no better than the liberal ones. I once attended a presentation at a nearby Pentecostal church about Third World poverty. The cause? Lack of infrastructure. All we had to do was dig deeper into our pockets and the problem would be solved.

I'm sorry to say this but the cause is deeply rooted and largely intractable, at least in the short term. We will not help the world's poor by welcoming them to our shores. We will simply destroy ourselves in the process.

John Derbyshire is more right than wrong. Yes, medieval Christianity had no qualms about resisting invaders, but medieval Christians (as Protestants love to point out) had adulterated their faith with pagan beliefs. Over the past few centuries, Christianity has stripped itself of its pagan accretions. In the process, it has become as much a threat to ourselves and our loved ones as Marxism used to be, if not more so.

That sounds like a harsh judgment. It is.

Source:

<http://www.brusselsjournal.com/node/2383>

1. <http://vanishingamerican.blogspot.com/>
2. <http://www.jihadwatch.org/archives/017941.php>
3. http://pajamasmedia.com/2007/08/christianity_good_islam_bad.php
4. <http://vanishingamerican.blogspot.com/2007/08/which-christianity-part-ii.html>
5. <http://vanishingamerican.blogspot.com/2007/08/which-christianity.html>

2.83 The Church – Part of the Problem or Part of the Solution?

By Fjordman

Although not a religious person myself, I am usually in favor of a revitalisation of Christianity in Europe[1]. However, I sometimes have my doubts when I see how many, too many, church leaders consistently end up on the wrong side of issues related to Islam and Muslim immigration.

Bat Ye'or[2] claims that dhimmitude[3] in the Middle East has often progressed because Christian leaders have sold out their own people, either for short-term personal gains or in the mistaken belief that they have a "shared religious heritage" with Muslims. It is also frequently Christian leaders and bishops in the West[4] who are calling for open borders[5] for poor, destitute Muslims because "it is the Christian thing to do."

The Protestant Lutheran Church in the German city of Hannover organised an exhibition to acquaint the Germans with Islam. The exhibition, entitled "The Faces of Islam[6]," was the work of the female students of the Protestant Studies Institute in Aachen. On Palm Sunday in 2006, a Protestant church in Bochum, Germany celebrated Muhammad's birthday[7] and invited the local Turkish community to attend the service. A Turkish music band played Sufi music during the service, in which Protestants and Muslims joined together in honour of Muhammad.

In the UK, church leaders wanted to invite the families of the London suicide bombers[8] to a national memorial service in honour of the victims. Two senior Church of England bishops believed that extending the invitation to the bombers' families would acknowledge their own loss and send a powerful message of reconciliation to the Muslim community. Dr John Sentamu, the Archbishop of York, urged the nation to unite and turn would-be suicide bombers into friends by building "an inclusive circle of love[9]."

The same Archbishop has also said that British Christians should see Muslims as allies in the struggle against secularism[10]. A number of Christian, and some Jewish, leaders shared this point of view both during the death threats against Salman Rushdie and during the Danish cartoon Jihad.

Meanwhile, in Indonesia, about 10,000 Christians have been killed[11] between 1998 and 2003 and about 1,000 churches have been burnt down by Muslim mobs. The radicals want Indonesia to be the foundation of a Southeast Asian caliphate[12] that will launch Jihad against other nations such as Singapore, Thailand, the Philippines and Australia until they submit to Islam. In the Indonesian province Aceh, where sharia law officially prevails, Muslim mobs razed a church in response to a forged (by a Muslim) advertisement inviting Muslims to a Christian revival service. Witnesses said there were over 100 Muslim men present[13], many of them carrying swords. They poured gasoline over the building and set fire to it.

Why this aggressive reaction? According to Islamic law, Christians and Jews (not other religious groups) can live in an area dominated by Muslims, but only if they accept their status as second-rate citizens, dhimmis. This implies many restrictions, such as never trying to convert or preach to Muslims, never to have a relationship with a Muslim woman and never to say anything insulting about Islam or Muhammad. If even one single person breaches any of these conditions, the entire dhimmi community will be punished, and Jihad resumes. Notice that while Muslims, following each case of Islamic terrorism, are quick to say that not all Muslims should be punished for the actions of a few, this is precisely what sharia prescribes for non-Muslims.

What's worse is that in practice, as in this case from Indonesia, attacks on non-Muslims can be triggered by unconfirmed rumours, personal grudges by Muslims or outright lies.

In reality, this means that all non-Muslims will live with a constant, internalised fear of saying or doing anything that could insult Muslims, which would immediately set off physical attacks against them and their children. This state of constant fear is called dhimmitude. Many Middle Eastern, Pakistani and Indonesian Christians know that as a matter of survival, they must say one thing in public and another in private. They are held hostage in their own countries[14].

In Egypt, a film depiction[15] of someone converting to Islam and then becoming disillusioned with his new religion was enough to bring more than 5,000 protestors to the church, get a nun stabbed and three people killed. Muslims interpreted it as a breach of the traditional Islamic law mandating death for anyone who leaves Islam, and of the old dhimmi laws forbidding non-Muslims to proselytise.

Bishop Armia of the Coptic Church in Egypt, which predates the 7th century Arab invasion and preserves the last remainder of the language of the ancient pharaohs, assured that "Copts would never tolerate anyone insulting Islam." Coptic Pope Shenouda III, knowing fully well that any provocation could mean mayhem and murder for his fellow Copts, has reiterated that[16] "any remarks which offend Islam and Muslims are against the teachings of Christ."

Several recent incidents have demonstrated that Muslims are now trying to apply these dhimmi rules to the entire Western world. The most important one was the burning of churches and embassies triggered by the Danish cartoons depicting Muhammad. This was, down to the last comma, exactly the way Muslims would treat the persecuted non-Muslims in their own countries. The cartoon Jihad indicated that Muslims now felt strong enough to apply sharia rules to Denmark, and by extension NATO. Hardly anybody in the mainstream Western media made any attempts to explain this to the public.

In another case, angry protests raged across the Muslim world over a Newsweek magazine report[17] that interrogators at the U.S. military prison Guantanamo Bay had put the Koran on toilets, and in at least one case flushing it down. The escalating violence prompted Secretary of State Condoleezza Rice to urge Muslims to resist calls for violence. "Disrespect for the Holy Koran is abhorrent to us all," she said. Newsweek later retracted their original article, which was found to be baseless.

In November 2002, days before the Miss World pageant in Nigeria, a Nigerian newspaper published an article in which the writer suggested that Islam's prophet, Muhammad, would have approved the pageant and would have chosen a wife amongst the contestants. The article sparked a Jihad riot in which over 200 people were killed and thousands injured. The next day, the newspaper published an apology. The president of Nigeria went on national television and condemned the newspaper. He said, "It could happen anytime irresponsible journalism is committed against Islam."

As one African observer later noted[18] about the Newsweek story, the reaction of the White House in the United States was largely similar to that a Third World president gave when faced with the same challenge. For Muslims, the world's only remaining superpower appeared to play the role of dhimmis.

Bishop Artemije, the spiritual leader of Kosovo's beleaguered Serbs[19], has warned against Western support for an independent state in the province, where Muslim Albanians greatly outnumber Christian Serbs and have destroyed many churches and monasteries under the auspices of NATO soldiers. The Bishop warns that independence would reward ethnic cleansing of non-Muslims. Since 9-11, he said, "the United States has been engaged in a global struggle against jihad terrorism, which threatens not just America but peaceful people of all faiths and nationalities. That is why we who live in the Serbian province of Kosovo and Metohija find it difficult to understand why so many

voices of influence in Washington support a course of action that would hand to the terrorists a significant victory in Europe.”

While Muslims responded with deadly outrage to the now-retracted report by Newsweek of alleged Koran desecration, there was little outcry when Islamic gunmen in 2002 holed up in Bethlehem’s Church of the Nativity, assumed to be the birthplace of Jesus Christ, used the Bible as toilet paper[20]. About 30 priests, monks and nuns, and more than 150 Palestinian civilians, who hid inside to escape a gun battle between Israelis and Palestinians, remained inside the church with the armed militants for more than five weeks. Some of the Palestinian fighters, who belonged to the Al Aqsa Martyrs Brigade, part of Palestinian leader Yasser Arafat’s Fatah organisation, were received as heroes when they later returned to Gaza.

During the so-called Oslo peace process from the mid 1990s, while Palestinian authorities received financial support from Western nations, Arafat increased the boundaries of Bethlehem to include nearby Muslim villages, and encouraged Muslims to settle in the city[21]. As a result, the percentage of Christians rapidly declined.

The Islamic gunmen were also responsible for the rape and murder of two Christian teenage sisters[22]. The assailants claimed that the sisters had been murdered because they were “prostitutes” and had been “collaborating” with Israeli security forces. “The gangsters murdered the two sisters so that they would not tell anyone about the rape,” said a family member. “Many Christian families have sent their daughters abroad for fear they would come under attack by Muslim men.” “Some of the murderers were later killed by the Israeli army, but others are now living in Europe after they had sought refuge in the Church of Nativity. It’s absurd that Muslim men who rape and murder Christian girls are given political asylum in Christian countries like Ireland, Spain and Italy.”

The irony is that the same sexual harassment and rape of non-Muslim women, part and parcel of Jihad, is now spreading to cities in Western Europe[23] with many Muslim immigrants[24].

Professor Weiner, Scholar in Residence at the Jerusalem Center for Public Affairs, provides an in-depth look[25] into the nearly uninterrupted persecution of Christians throughout the decade since the Oslo peace process began. The Christians have shrunk to less than 1.7 percent of the population in the Palestinian areas. “Tens of thousands have abandoned their holy sites and ancestral properties to live abroad, while those who remain do so as a beleaguered and dwindling minority,” Weiner said. “Their plight is, in part, attributable to the adoption of Muslim religious law (sharia) in the constitution of the Palestinian Authority. Moreover, the Christians have been abandoned by their religious leaders who, instead of protecting them, have chosen to curry favor with the Palestinian leadership.”

More than 500 Muslim men, chanting Allahu akbar, attacked the Christian village of Taiba[26] east of Ramallah. “They poured kerosene on many buildings and set them on fire. Many of the attackers broke into houses and stole furniture, jewelry and electrical appliances,” said one resident. The attack was triggered by the murder of a Muslim woman from the nearby village of Deir Jarir. Her family forced her to drink poison for having had a romance with a Christian man from Taiba. Muslim men can marry Christian women, but Islamic law forbids Muslim women from marrying Christian men. The Christian community was thus collectively punished because it was rumoured that one of their members had breached the rules of dhimmitude.

In a meeting attended by Robert Spencer, former Soviet dissident Natan Sharansky noted[27] that Israel had again and again aided Christians – at their own request – against Islamic violence and injustice, most notably when the Church of the Nativity was occupied by Jihadists in 2002. Yet international Christian leaders, he said, have not

responded with similar gestures toward Israel. He is right. While Christians are persecuted on a daily basis in Muslim nations and may soon be wiped out in the Holy Land, Christian organisations in the West are too frequently engaged in "dialogue" with Muslims and demonisation of Israel. Christians need to realise that they have much more in common with other non-Muslims, not just Jews, but Hindus, Sikhs, Buddhists and Atheists, than they will ever have with Muslims. Jussi Halla-Aho, running for parliament in Finland as an independent candidate, has come to some of the same conclusions[28] as I have regarding the Leftist-Islamic cooperation in many Western nations: The Left milks the working natives to maintain a predominantly idle immigrant population, who thankfully vote for the Left. The welfare state society thus has to support two parasites, each living in a symbiotic relationship with the other. This will eventually cause the system to collapse. Why would anyone support a policy that leads to certain destruction? Well, because a career politician never sets his sights 20, 50 or 100 years to the future but instead focuses on the next election. The short-term focus of our democratic system can thus, combined with Muslim immigration, turn into a fatal flaw.

But Halla-Aho asks an even more important question: "Why do the voters let all this happen? It is because Westerners like to be 'good' people and believe that their fellow men are equally good people. It is because they have humane values." "It is because the moral and ethical values of Western man have made him helpless in the face of wickedness and immorality."

Our Western "moral and ethical values" are profoundly influenced by Judeo-Christian thinking. Will our openness to outsiders, our democratic system and our Christian compassion, precisely the values that we cherish the most, render the West incapable of withstanding Jihad? A good Christian has to turn the other cheek and love his enemies. How are we to reconcile this with the reality that Muslims regard this as a sign of weakness? And how can we fight sharia when bishops and church leaders are the first to call for a "compassionate" immigration policy that allows masses of Muslims to settle here? Christians argue that Europe's problem is a cultural vacuum[29] created by the retreat of church attendance and Christianity as a religion, which has paved the way for Islam to enter. They have a point, as I have shown before. But some Christian groups are opening the West to Islam, too, and the secular state doesn't have to be insipid and toothless. Far from it, it was secular states that fought and defeated the Fascist regimes during WW2 and risked the destruction of the planet in the Cold War. The non-religious authorities in China are far more ruthless in crushing any Islamic aggression than most Christian countries are. Of course, the downside is that they are far more ruthless in crushing anything deemed to be a potential challenge to their power.

Luckily, not all Christian leaders are appeasers of Islam. One of the intelligent ones comes from Australia, a country that has been fairly resistant to Political Correctness. They have taken serious steps towards actually enforcing their own borders, despite the predictable outcries from various NGOs and anti-racists, and Prime Minister John Howard has repeatedly proven to be one of the most sensible leaders in the Western world. George Cardinal Pell[30], Archbishop of Sydney, tells of how September 11 was a wake-up call for him personally[31]:

"I recognised that I had to know more about Islam." "In my own reading of the Koran, I began to note down invocations to violence. There are so many of them, however, that I abandoned this exercise after 50 or 60 or 70 pages." "The predominant grammatical form in which jihad is used in the Koran carries the sense of fighting or waging war." "Considered strictly on its own terms, Islam is not a tolerant religion and its capacity for fear-reaching renovation is severely limited." "I'd also say that Islam is a much more war-like culture than Christianity." "I've had it asserted to me is that in the relationship between the Islamic and non-Islamic world, the normal thing is a situation of tension if not war, or outright hostility."

Pope Benedict XVI, nicknamed "God's rottweiler" as a cardinal, seems to embody elements of both the sensible and the silly Christian ways of dealing with the Islamic threat. Although Benedict has stressed the need for "reciprocity" in Christian-Muslim relations and urged Islamic countries to ensure religious rights for Christian migrants, he has also said that Christians should continue welcoming Muslim immigrants[32] with open arms.

It caused an uproar in the Islamic world when Benedict XVI, as a part of a longer dissertation, quoted a 14th century Byzantine emperor's hostile view[33] of Islam's founder: "Show me just what Muhammad brought that was new, and there you will find things only evil and inhuman, such as his command to spread by the sword the faith he preached." Benedict later said he was "deeply sorry" for the reaction to his comments on Islam and that the quote he used from the medieval text about holy wars did not reflect his personal thoughts. Although this technically constitutes a non-apology apology and was deemed "unsatisfactory" by Muslims, many anti-Jihadists would have preferred the Pope to use the opportunity to make a clearer stand against Islamic aggression.

Still, his comments raised public debate about the issue, and certainly marked progress compared to his predecessor Pope John Paul II, who kissed the Koran in public in an effort to reach out to Muslims.

I have described examples of incredible stupidity and appeasement from Christians in the West, but also of courage and clarity of mind in standing up to Islamic aggression and defending Western civilisation and the world from sharia. The ideological civil war within the West is not just between secularists and religious people; it runs straight through the Church itself.

Christians need to understand that there can be no peace or understanding with the Islamic world. They want to subdue us, pure and simple. Church leaders of all denominations, Protestant, Catholic, Orthodox, must stop stabbing Israel in the back and campaigning for a de facto open borders policy while Muslims are threatening to swamp our lands. Yes, Christianity teaches compassion, but it also teaches identifying evil and standing up to it. At the end of the day, the Church must decide whether, in the defence of civilisation, it wants to be a part of the problem or a part of the solution.

Source:

<http://www.brusselsjournal.com/node/1357>

1. <http://fjordman.blogspot.com/2005/08/do-we-need-god.html>
2. <http://www.brusselsjournal.com/node/840>
3. <http://www.dhimmitude.org/>
4. <http://www.brusselsjournal.com/node/1051>
5. <http://www.brusselsjournal.com/node/1053>
6. <http://www.jihadwatch.org/dhimmiwatch/archives/004607.php>
7. <http://www.brusselsjournal.com/node/1055>
8. <http://www.jihadwatch.org/dhimmiwatch/archives/007968.php>
9. <http://news.sky.com/skynews/article/0,,30000-1227104,00.html>
10. http://news.bbc.co.uk/2/hi/uk_news/england/north_yorkshire/5343940.stm
11. <http://www.timesonline.co.uk/article/0,,3-1707254,00.html>
12. <http://www.jihadwatch.org/dhimmiwatch/archives/007778.php>
13. <http://www.compassdirect.org/en/display.php?page=breaking&lang=en&length=long&id=4530>
14. <http://www.jihadwatch.org/dhimmiwatch/archives/013149.php>
15. <http://www.frontpagemag.com/Articles/ReadArticle.asp?ID=19949>
16. <http://www.theage.com.au/news/world/egypts-top-christian-leader-denounces-comments/2006/09/16/1158334731782.html>
17. <http://littlegreenfootballs.com/weblog/?entry=15835&only>
18. <http://www.jihadwatch.org/dhimmiwatch/archives/006484.php>
19. http://www.chroniclesmagazine.org/cgi-bin/newsviews.cgi/TheBalkans/Kosovo/A_Bishop_s_Lonely_S.html?seemore=y
20. <http://52.094.5.120plusf13:Q1wqcku617898918787KP>
21. <http://www.rense.com/general25/bibles.htm>
22. <http://www.jihadwatch.org/dhimmiwatch/archives/009438.php>
23. <http://www.jihadwatch.org/dhimmiwatch/archives/008666.php>
24. <http://gatesofvienna.blogspot.com/2006/07/norwegian-authorities-still-covering.html>
25. <http://fjordman.blogspot.com/2005/12/immigrant-rape-wave-in-sweden.html>
26. <http://www.jcpa.org/christian-persecution.htm>
27. <http://www.jihadwatch.org/archives/007975.php>
28. <http://www.frontpagemag.com/Articles/ReadArticle.asp?ID=20341>
29. <http://gatesofvienna.blogspot.com/2006/08/multicultural-discourse-in-finland-and.html>
30. <http://www.brusselsjournal.com/node/1053>
31. <http://ncronline.org/mainpage/specialdocuments/Pelltranscript.htm>
32. http://www.sydneycatholic.org.au/Archbishop/Addresses/200627_681.shtm
33. <http://www.jihadwatch.org/dhimmiwatch/archives/011442.php>
34. <http://www.time.com/time/world/article/0,8599,1534640-1,00.html>

2.84 Thou Shalt Hate Christianity and Judaism

By Fjordman

As a non-religious person, but still one that acknowledges and respects the impact of Judeo-Christian thinking on Western culture, I have warned against naive Christian compassion[1] related to Muslim immigration, as well as a disturbing tendency among too many Christian organisations to ally themselves with Muslims, for "religious values" and against Israel. But frankly, the most useful allies Muslims have in the West more often than not tend to be found among the non-religious crowd.

A number of executives and star presenters at the British Broadcasting Corporation admitted what critics already knew: The BBC[2] is dominated by Left-leaning liberals who are anti-American and biased against Christianity, but sensitive to the feelings of Muslims. Former BBC business editor Jeff Randall said he complained to a very senior news executive about the BBC's pro-Multicultural stance, but was given the reply: "The BBC is not neutral in multiculturalism: it believes in it and it promotes it."

The anti-Christian element seems to be a trait shared by Multiculturalists in all Western countries. Thomas Hylland Eriksen[3] is a professor of social anthropology at the University of Oslo. He has written many books and is a frequent contributor of newspaper essays. He is also leading a major project for studying the Multicultural society in Norway.

Hylland Eriksen has proclaimed the death of nations as if he took pleasure in it, and has stated that the Nidaros Cathedral (Nidarosdomen), the most significant church in the country, should no longer serve as a national symbol in our Multicultural society. Mr. Eriksen has recently clashed[4] with two brothers named Anfindsen, who run the bilingual website HonestThinking.org.

According to[5] Hylland Eriksen, "Cosmopolites insist on a world comprising of more colours than black and white. In such a world, the problems presented by Ole-Jørgen Anfindsen are not just petty, but irrelevant."

What are the problems presented by Mr. Anfindsen? Well, he has published numbers indicating that if the current immigration continues, native Norwegians will be a minority in their own country within a couple of generations. And a large proportion of the new population will be Muslims.

Given the fact that ethnic groups who become minorities in their own lands usually have a hard time, and virtually always get persecuted when the newcomers are Muslims, one would assume that this would be interesting information. But for self-proclaimed "Multicultural cosmopolites" such as Thomas Hylland Eriksen, it is "petty and irrelevant" to even consider that this could represent a problem.

Eriksen calls Anfindsen "stupid and ignorant," and hints that "Maybe Anfindsen's agenda is inspired by a kind of perverted Christianity (he has a Christian background)."

"He has a Christian background." Is that supposed to be an insult, and disqualify a person from worrying about whether his grandchildren will be persecuted? In a newspaper essay co-authored by Eriksen, he states that: "Is he [Anfindsen] asking us to once again repeat the obvious in that the murder of Theo van Gogh, various acts of terrorism and death threats against newspaper editors have nothing to do with Islam?"

Nothing to do with Islam? Really?

Mohammed Bouyeri[6], born in Amsterdam of Moroccan parents, killed Theo van Gogh as he was cycling in Amsterdam on Nov. 2, 2004, shooting and stabbing before slashing his throat and pinning a note to his body with a knife. "I did what I did purely out my beliefs," he told judges while clutching a Koran[7]. "I want you to know that I acted out of conviction and not that I took his life because he was Dutch or because I was Moroccan," but because he believed van Gogh insulted Islam in his film criticising the treatment of Muslim women.

So a peaceful Christian is accused of having a dark, secret agenda, while a Muslim murderer who brags openly about his Islamic motivations has nothing to do with Islam? Needless to say, Mr. Hylland Eriksen is also rather anti-Israeli. Christians and Jews are bad, Muslims are "misunderstood." This confirms my thesis that Political Correctness is a hate ideology[8] disguised as "tolerance." It is based upon hate against anything considered Western and a desire to eradicate this.

The First Commandment of multiculturalism is: Thou shalt hate Christianity and Judaism. Multiculturalists also hate nation states, and they even hate the Enlightenment, by insisting that non-Western cultures should be above scrutiny.

It is sometimes claimed that Islam is a "European" or Western religion. Ironically, we can test this by using "cosmopolitan Multiculturalists" such as Mr. Hylland Eriksen. They hate everything that's seen as Western and they like Islam, precisely because it's anti-Western.

Is religion a necessary component of society? Catholic historian Christopher Dawson wrote in his book "Progress and religion" from 1929:

"It is the religious impulse which supplies the cohesive force which unifies a society and a culture. The great civilisations of the world do not produce the great religions as a kind of cultural by-product; in a very real sense the great religions are the foundations on which the great civilisations rest. A society which has lost its religion becomes sooner or later a society which has lost its culture"

Alexis de Tocqueville, the French 19th-century political thinker, stated in Democracy in America[9]:

"Religion in America takes no direct part in the government of society, but it must be regarded as the first of their political institutions; for if it does not impart a taste for freedom, it facilitates the use of it. Indeed, it is in this same point of view that the inhabitants of the United States themselves look upon religious belief. I do not know whether all Americans have a sincere faith in their religion – for who can search the human heart? – but I am certain that they hold it to be indispensable to the maintenance of republican institutions."

Lee Harris[10] is the author of Civilisation and Its Enemies and The Suicide of Reason. According to him, Christian Europe was a fusion of diverse elements: The Hebrew tradition, Christianity, the Roman genius for law and the Germanic barbarians' love of freedom, among others. What created the communities of reasonable men that eventually made modern reason possible? This was the question taken up by Johann Herder:

"What were the necessary conditions of the European Enlightenment? What kind of culture was necessary in order to produce a critical thinker like Immanuel Kant himself? When Kant, in his Critique of Pure Reason, methodically demolished all the traditional proofs for

the existence of God, why wasn't he torn limb from limb in the streets of Königsburg by outraged believers, instead of being hailed as one of the greatest philosophers of all time?"

For Herder, modern scientific reason was the product of European cultures of reason, the world-historical encounter between Biblical faith and Greek philosophical inquiry, "with the subsequent addition of the Roman heritage."

The 19th-century German philosopher Arthur Schopenhauer was an atheist. Yet according to him, it was the Christian idea of God that permitted Europeans to believe that the universe was a rational cosmos.

As Harris points out, "Human beings will have their gods--and modern reason cannot alter this. Can even the most committed atheist be completely indifferent to the imaginary gods that the other members of his community continue to worship?"

And if modern reason required a pre-existing community of reasonable men before it could emerge in the West, maybe modern reason "must recognise that its own existence and survival demand both an ethical postulate and a religious postulate. The ethical postulate is: Do whatever is possible to create a community of reasonable men who abstain from violence, and who prefer to use reason. The religious postulate is: If you are given a choice between religions, always prefer the religion that is most conducive to creating a community of reasonable men, *even if you don't believe in it yourself.*"

According to Theodore Dalrymple[11], the underlying problem in Western Europe in particular is a lack of purpose, which gives rise to a large amount of social pathology:

"Quite a large proportion of the population does not derive any self-respect from having to work for a living because some people are no better off if they work than if they do not work [due to the welfare state]." They "do not feel they belong to any larger project than their private lives. (...) I am not myself religious. However, I am not anti-religious. I am pro-religion provided that it is not theocratic, so long as there is still a division between church and state."

Dalrymple also believes[12] that "Discipline without freedom leads to misery, but freedom without discipline leads to chaos, shallowness, and misery of another kind," alluding to the total lack of freedom in Islam, but also to the seeming lack of direction in the West.

I agree with Harris and Dalrymple: As long as there is separation between religion and state, those of us who don't have any religious belief should prefer religions which tend to create reasonable and prosperous communities. Our traditional Judeo-Christian religions have proven this capability. Islam never has, and probably never will. As Australia's Cardinal George Pell[13] says, "some seculars are so deeply anti-Christian, that anyone opposed to Christianity is seen as their ally. That could be one of the most spectacularly disastrous miscalculations in history."

Indeed it could. Maybe if Western Multiculturalists get their will, and Islam does conquer parts of the West, they will discover that the new religion is infinitely worse than the old one. Of course, by then it will be too late.

Source:

<http://www.jihadwatch.org/dhimmiwatch/archives/013705.php>

1. <http://www.jihadwatch.org/dhimmiwatch/archives/013179.php>

2. http://www.dailymail.co.uk/pages/live/articles/news/news.html?in_article_id=411846&in_page_id=1770

3. http://en.wikipedia.org/wiki/Thomas_Hylland_Eriksen
4. <http://www.document.no/weblogg/archives/010192.html>
5. <http://www.dagbladet.no/kultur/2006/09/23/477597.html>
6. <http://www.jihadwatch.org/archives/007124.php>
7. <http://www.jihadwatch.org/archives/010004.php>
8. <http://gatesofvienna.blogspot.com/2006/09/what-is-nature-of-multiculturalism.html>
9. <http://www.brusselsjournal.com/node/1192>
10. <http://www.weeklystandard.com/Content/Public/Articles/000/000/012/736fyrpi.asp?pg=1>
11. <http://www.brusselsjournal.com/node/1345>
12. <http://www.city-journal.org/html/eon2006-03-13td.html>
13. <http://ncronline.org/mainpage/specialdocuments/Pelltranscript.htm>
14. <http://48.871.2.310plusf65:JEockwk658246375668b5>

2.85 A future Christian identity for Europe?

By Kyle Spotswood

Most commentators understand 'Politics' as the pursuit of power within a given relationship. Politics it is said is the art of this world, and the science of society, Robert Hutchins defined politics as: 'the architectonic science, which determines what shall be studied in the state.' For us politics shall be as David Martin explains: 'the arena within which authority, violence, cohesion, and the maintenance of boundaries are conspicuously at play'. 'Religion' is understood by most commentators as being a generic term referring to ways of life other than the Liberal Modern, such as, 'Christianity' and 'Islam' et cetera. However, as we have discussed earlier, 'religion', is a practice within the much larger worldview of Christianity. As Christianity is a way of life, and life involves power relationships, Christianity is at once a political way of life. One can not separate out ones politics from ones faith and beliefs, they are intertwined as ones beliefs effects ones politics. Thus, within the Christian worldview, there is no separation of 'Christianity' and 'politics', as distinct spheres, 'politics' is but another sphere of the way of life that is Christianity. Politics is subsumed within Christianity.

Within Christian political thought there has been traditionally a distinction, if not a separation, of the institution of the state and the institution of the church. Ironically, this distinction Liberal Secular Democracies inherited from a Christian political entity called 'Christianitas,' more commonly known as Christendom. The distinction was made to safe guard the institutional church from being interfered with by the kings, (and other leading members of the laity) in its appointment of Bishops and clergy. The idea of 'secular' and 'religious', referred to the power of the king and bishops in their respective spheres and execution of duties, one concerned with the temporal and profane, the other with the spiritual and sacred. The church to bring men to salvation, and the state to create Christian peace, order and justice: the best environment in which the church can perform its task. The state had the extra role of defending the church from pagans, infidels, heathens and helping to suppress heretics. (Much like Liberal Modernity suppresses Nazism, Radical Islam, Communism, Dictators, Despots, and let's not forget Christianity, when these ideologies take root in a society and it is no longer in its best interest to support them!) There are various Christian political theories which outline how the state and the church should relate; just to list some of them. (I should note that the explanation that I am about to give has in it an ecumenical reading, which one may not see looking at these formulations within their particular historical context) there is idea of:

Concordat: where the state and the church as two separate entities agree boundaries between the two and separate spheres of responsibility. This assumes the state is willing to recognise the church in some way but is not necessarily Christian.

Erastianism: where it is postulated that if everyone in a given society is Christian then the state should control the church. This assumes a completely Christianised society.

Establishment: this is where within a given state the church is given preference above that of other faiths, though they may be tolerated to some degree. This assumes a context of some diversity in matters of beliefs.

Symphony: Where the leaders of the state and the leaders of the church and state submit to one another in matters regarding their distinct spheres, one with the salvation of the soul and the other with regards to the running of secular affairs. This assumes a Christian society.

Caesero-Papism: Where a Christian monarch rules the state in matters of religious organisation as he rules in matters of secular organisation, though this is not to do with matters of faith but rather structure. This assumes at least a Christian monarch.

Christendom: Where the state and the church work jointly to govern society in their separate spheres but where the church takes a lead in the direction of secular affairs including governments.

We should note however that these approaches are more concerned with the idea of how the institution of the church and the institution of the state should relate, they each assume a predominantly Christian society with the exception of concordat which assumes at best an ambivalent state.

Our discussion however will begin at a slightly different nuance concerned with Christian politics, identity and a Christian political agenda in a modern world, which is a subtly different discussion to ones with which the above are concerned. It begins with the assumption of 'the one ecumenical catholic church militant' in the setting of a non-Christian world or post Christian world with varying degrees of hostility to its existence.

Christianity has increasingly become perceived as being linked by some, to a bygone culture, having already lost its political direction, cohesion, and influence. The wall that both Martin Luther and Thomas Jefferson spoke of has switched, in modern times it is no longer a means by which the Church defends its rights and position over the state, as in pre-modern times, but rather how the state increases its power over the Church. Historically there have always been tensions between the powers secular and the powers religious, which in times gone by through the prides of men resulted in outright conflict between the two; however, with the emergence of the modern secular state and its incumbent 'ideology of reason'. This 'wall', has become the means via which the state has secured power away from the church and is challenging the identity of Christians as well. Attacking our beliefs and values and presenting modern liberal alternatives in short all that makes us who we are as Christians by presenting alternatives with the assumption that these alternatives are better and the polemical engagement of the 'enlightenment' elite. The Liberal Moderns command the heights of the wall. This process is called differentiation: where the state, driven by the 'ideology of reason', 'the religion of humanity', or more simply - Liberal Modernity, seized what were once church roles. This forced conversion of society has pushed the Christian faith back into a metaphysical box, where some argued it would die an irrelevant death. Such as speculated by Marx and others, and assumed by Nietzsche!

Clearly for Christianity to be authentically political, it must attempt to set the paradigm in which politics plays its self out. Contexts are all important, for what is a left wing cause among the Aymora of Bolivia, is a right wing cause among the Greeks of Albania. What we have seen in modern times is the slow erosion by enlightenment militia, upon

Christianity's presence in the structures of power that mould the paradigm of culture and society. Christians must reclaim the commanding heights of media, parliaments, councils, business and governmental authority. They must storm the walls between church and state and remove all traces of Liberal Modernity. They must do so from an authentically Christian narrative and worldview.

Christian political thought therefore cannot concede that the secular realm should have been, should be or should remain, in the hands of a godless ideology. Within a Christian political framework, however, it is so conceived (and there are a variety of opinions; some listed earlier) that both the secular and religious realms were supposed to be filled with Christians and Christian thought working together for the good of all. Christianity then is highly political, and political actions themselves are subject to the service of God, in the form of political devotion, much like religious devotion or spiritual devotion.

"When Christians enter politics they have a long and rich tradition upon which to draw, but their influence lies not in the authority of that tradition, but on the efficacy of the programmes and solutions they propose."

Christians need to fashion a more robust Christian culture and community, rather than allowing themselves to be assimilated into the world around them. Where the church merely takes its cues from wider culture it ends up being the puppet of the state; much like the Dutch Reformed church of South Africa through the apartheid. When it has a strong sense of its own identity it can speak both authentically and clearly for its own political values and agenda!

Christianity however, goes further, it transforms the very understanding of politics, for politics is never about domination, it is about service. Liberal Democratic political culture is thankfully influenced by this Christian imperative, even though its view of what is the 'common good' is seriously in need of refinement. The 'common good' must be measured in how one is brought towards or away from relationship with the living God, this should be the end goal of all branches of government from economics right through to foreign policy. The present end goal of Liberal Modern states is how each person and community can be grafted into the economy, this is what is interpreted as being the common good. However, this suffers from an ideological blind spot that has been the bane of Liberal Modernity from the outset. Humans are more than material beings! A Christian state would be more balanced in its approach to the material and spiritual needs of its citizens; contrary to the extreme materialism fashioned by Liberal Modernity. For example the truth and reconciliation commissions that are now working in South Africa, El Salvador, Rwanda, Northern Ireland, and has even been imported into Bosnia, as a means of reconciling countries with a history of division; accepting the non material solutions to real problems faced in society.

Christians then must commit themselves to the struggle of bringing to bear every political framework to perfect submission under God! One is pained however, to dispel any illusions that this translates into forcing anyone to become Christian, no more than our present Liberal Modern society would accept that it forces people to become materialist consumers; people will be free to opt out of the main stream of Christian culture. Within Christian political thought one leads by serving, one does not lead to serve or lead to be served. This is an important distinction, in societies where leaders, lead to be served, we often see horrific abuses of power, such as with Stalin, Hitler, and Saddam. Leadership based around the notion to serve, we have seen, has a tendency to see it despoiled by disingenuous politicians, or by those who have an idea to serve their own interested parties. We see that in most politicians in most modern democracies. However, a leader in a Christian society becomes a leader because he/she is already serving the people before he/she receives any authority, his/her record is established long before he/she find themselves in political office. Corrosive social attitudes cultivated through notions of 'celebrity culture' would be undermined; they would in due course

become retarded. It would be in doctors, nurses, servicemen, priests and pastors, community workers and the like, that society would find its heroes, not in trivial actors, singers, and sports figures. A Christian society would value holiness, learning and communal service above that of selfish self-gain and self-promotion.

Christian political thought is not bound to any one system of government, it is not innately dictatorial or democratic, whether there is rule of law or rule of power; Christian political thought can exist in many political realities. However, no matter the political system: electoral, oligarchy, totalitarian, confederacy or federation, republican or monarchical; one thing that remains is the idea that in some way government is firstly accountable to the revealed will of God. By whatever system of accountability employed, the government of whatever nature, is held accountable by the Christian militant, in how it subscribes to the cause of God in terms of the needs of The Kingdom. Also its service rendered to the servants of Christ in the pursuit of their call to holiness and the fulfilment of the 'Great Commission'. In this respect all truly Christian political systems are innately Theocratic; in that they seek to allow God to rule. Christian commentators have suggested various ways that this could be done via human agency, in keeping with apostolic authority, or through acting upon the clear writ of scripture as interpreted by those of sufficient training. Alas, no matter the medium used, the aim is the same, to make real the revealed will of God on earth. This requires the Church and State to work in unison.

However, some may argue that this is impossible, that men can not bring about God's kingdom here on earth, alas, they miss the point - we do not need to, The Lord Christ did this two thousand years ago, this would merely be an expression of The Kingdom on earth. It would be no more perfect than our present democracies are perfect (to their own principles), and God knows they are not perfect! Democracies constantly fail to reflect the true will of the people, by their very nature they can not; however, they attempt to reflect the will of the people, though in actual fact, this tends to be the will of the rich and better off! In the same way, Christian theocracies can not hope to reflect perfectly God's will, but would attempt to reflect God's will on earth.

Now some, let's call them 'drama queens', immediately draw parallels to Islamic or medieval theocracies, seemingly forgetting that we are neither in the middle ages nor are we Islamic. Societies reflect their gods and as Islam reflects a god of 'will' in the Shari'ah, and Liberal Modernity reflects a god of mammon in Capitalism, a Christian state reflects a God of love in theocracy. Should we dismiss a form of government for its past errors then we should dismiss all forms of governments and become anarchistic, for none are without their mistakes, and none have been perfect! However, only one can claim to be a priori and deontologically correct, and that is a Christian theocracy. Liberal Modern relativistic arguments have no bearing due to their own laughable inconsistencies, as it claims that 'all truth claims are relative', except this most relative of all claims to truth; by which it seeks to govern all others! However, one hardly believes that the 'irreligious' will be 'equally willing to accept the prescription of non establishment', that prescription only exists for those unlike themselves. It is one rule for the Christians and another rule for the Liberal Moderns!

Further more, Christian politics is not confined to any nation state; it is 'internationalist', within the present context of the world. It recognises no border, or authority above that of its King. Therefore, where there is a single Christian being persecuted it is the concern of every Christian to come to his/her assistance by every justifiable means including, but not necessarily...war! Much like Liberal Modern states believe that it is their right to wage war on those that offend their concept of 'human rights'. So it is the right and duty of Christians to wage war on those that blaspheme our God and persecute our brethren.

The silence of a politically impotent church in the west with regards to its brethren around the world is staggering - and quite telling of its spiritual state. The humiliations

and abuses of the persecuted church are too many to list, and are a denigration of their Christian dignity. Only if the persecuted Christians lift themselves out of their state as persecuted will they be able to live in dignity. This calls them and us to their liberation and the usurpation of the status quo. The persecuted church should not depend upon western imported theologies that justify their persecution, but instead fashion a theology that begins with the articulation of their own experience as persecuted Christians. We should understand the Church's identity not through dogmatic preaching, but through the historical reality of the persecuted church. Persecution of Christians and oppression of Christianity is contrary to the will of God. Thus, 'the universal and global church on earth' should enter into solidarity with persecuted Christians wherever they are found. The church should centre its life, not around sacraments, or dogmas, (though these should never be done away with), but on the experiences and the cause of the martyred, and the oppressed, and suffering Christian. Christians should come together and study and support one another in tackling persecution and oppression of Christians. Theology should be rooted in the experiences of the persecuted.

Source:

Kyle Spotswood (Sheffield) wrote, on Nov 2, 2007:
<http://www.new.facebook.com/board.php?uid=2204703039#/topic.php?uid=2204703039&topic=3836>

2.86 Conflict avoidance and how to avoid it

I've chosen to include the following essay as it shows how extreme egalitarianism (extreme equality) rots a society from within. In our quest to appease everyone we are destroying the principles, doctrines and cultures that made us exceptional in the first place. Our traditional rather cynical and Spartan values, which resulted in that Europe became the cradle of civilisation, have been allowed to develop into excessive decadence.

By Brett Stevens

The hardest thing about being a small hominid is that you run the risk, at any moment, of screwing up and getting killed — and unlike other monkeys, you're aware of it any time a symbol of death or error comes up.

For this reason, most of human history has dealt with conflict resolution and ways to get people going in different directions to work together. It makes us feel good to think we're banishing conflict because then we feel as if we're safe from that conflict making us the one who screws up and gets killed.

But over the years, we go from "conflict resolution" to "conflict avoidance," meaning that we no longer seek working solutions, but to stop the fighting. We assume the fighting is the source of the disagreement, and not the other way around, as would be sane.

Nature, unlike humans, does not think in blocking single linear categories at a time, so when we suppress conflict, we don't eliminate it — we just squeeze it into another realm. If we can't fight with fists, we'll fight in the courts, or in the ballot box, or just be snippy with each other.

Passive aggression, the mentality created, arises from a desire to avoid conflict while a need to fight still exists. If I'm seen doing something combative, I get in trouble; so I try to provoke, needle, backstab, corrupt, etc. in order that I can destroy without seeming to

destroy, and get the other guy to be the one who lashes out and gets clobbered by the other monkeys who just want the fighting to end.

All of these ideas are taboo because they cut through our pleasant illusion about ourselves, which is that we're not half-monkeys who rose a few sigma and now are able to use tools but not fully manage our affairs. We like to think of ourselves as gods who intend each of our actions as a benevolent gift to others; the reality is that we're snarling feral animals who've found a way to cloak our aggression in politeness, bureaucracy and a pernicious herd morality.

Tom Wolfe and Mike Gazzaniga explore this passive aggression through a reasonable measurement, which is social status. Status is how you feel you rank relative to your neighbours, and it can be either material or moral. Material is whether their BMW is as cool as yours; moral is whether they're educated, enlightened, progressive people who donate eyeglasses to the Bonobo like you:

TW: Every time we go into a room with other people, it's as if we have a teleprompter in front of us and it's telling us the history of ourselves versus these people. We can't even think of thinking without this huge library of good information and bad information.

MG: When you get up in the morning, you do not think about triangles and squares and these similes that psychologists have been using for the past 100 years.

You think about status. You think about where you are in relation to your peers. You're thinking about your spouse, about your kids, about your boss. Ninety-nine percent of your time is spent thinking about other people's thoughts about you, their intentions, and all this kind of stuff.

Forum: Tom Wolfe and Michael Gazzaniga

For the last 2,000 years our preferred method of neutralising conflict has been to insist on equality.

First, it was insisted that we were all equal in civic duty, so should get a vote.

Then, it was insisted that we were all equal in the eyes of God, as we all had souls.

A thousand years later, we upgraded that to the idea that we were all equal citizens in potential, so we should have no limits of role or money.

None of these have worked, because in reality — that physically-convergent world out there — we are not all equal, and in fact, nothing in life is. (Most parts of reality consist of unevenly distributed values in a type of "standard distribution," Poisson distribution or the easily recognised "Bell Curve" with a few at top, a few at the bottom, and most on a graceful convex in the middle.)

When we cannot recognise our inequality, and cannot accept conflict, we are ruled by our fears. In turn, we create a society that because it orients itself around avoiding these fears, sublimates its fear.

The result is the "crab mentality," after the tendency of crabs in a bucket to crawl to the top, in which we compete for social favor. This creates a pleasant surface notion of equality and an underlying truth of constant covert conflict.

In addition, in order to preserve our good social standing, we insist on equality in defiance of the facts, and by making equality such an assumption, we oblige ourselves to tolerate incompetence. That in turn puts us in a society that is forever dysfunctional and

frustrating, but no one wants to be the first to admit they are un-polite and un-sociable and don't believe in equality.

In turn that gets us this:

New research from the Kellogg School of Management at Northwestern University explores why powerful people – many of whom take a moral high ground – don't practice what they preach.

The research finds that power makes people stricter in moral judgment of others – while being less strict of their own behaviour.

“According to our research, power and influence can cause a severe disconnect between public judgment and private behaviour, and as a result, the powerful are stricter in their judgment of others while being more lenient toward their own actions,” he continued.

Science Daily

This public/private split occurs any time we insist on pretending an unrealistic thought is real, more real than reality even since we use it to manipulate each other. In public, we must kowtow to the dogma; in private, we have to get things done and/or become violently self-assertive.

The cost of equality is that we throw out all truthfulness in order to seem like nice people to each other.

It arises from our fear of evolving to the next stage, which would naturally occur from our most capable people, because we're afraid of personally being left behind — just as we're afraid of having a lower place in the current crab bucket of society.

As a result, instead of looking toward the future, we look toward the past — we look backward, and try to divide up what exists, instead of making an even better vision of our world.

Those who are most afraid become “activists” who go around telling us that it costs us nothing to demand equality and suppress conflict, but then there are millions of details like this:

In 2002, civil lawsuits cost the U.S. economy a reeling \$233 billion. With the rise of civil lawsuits over the last half a century, each American citizen is now estimated to pay a “lawsuit tax” of anywhere between \$700 and \$800 a year (27 September 2004 US Fed News). According to Secretary of Commerce Don Evans, if you take the total cost of tort claims and judgments in the United States and divide it by the number of citizens in the country, a tort tax of about \$809 per capita results (15 December 2004 White House Press Releases And Documents).

What's more, lawsuit costs represented about 2 percent of the US Gross Domestic Product, over \$250 billion. Of this, the manufacturing sector bears a disproportionate share of that, at 4.5 percent. (15 December 2004 White House Press Releases And Documents). And costs are rising, with a reported 5.4% increase in the cost of civil lawsuits from 2002 to 2003 (1 September 2005 Design Firm Management & Administration Report).

Inside Prison

Allow no conflict, and people will take it to the courts, which will lead to irrational animal conflict costing millions. How could that happen?

Imagine the other variables we could add:

- People driving slowly taking up to an additional half-hour of your time every day, for no reason other than their own incompetence. Add that up over the course of a year and think what you could have done with that time.
- Incompetents and dullards on the job must be tolerated, so every concept gets divided into bite-size pieces, and soon you're sitting through two-hour meetings where five minutes among equals would have sufficed.
- Dumb people have no idea their actions have consequences, so they litter, commit crimes, vandalise, or simply break things you might like to use.
- Look at all the areas of our cities that are no-fly zones because they're inhabited by people without a clue who ruin their own homes, riot, commit crimes, and so on. What else could we do with that land?
- Fools are a politician's best friend because they are easily manipulated. Since we cannot call them fools, and make them unequal because they have rights, they're there for any corrupt manipulator to promise them the sky — in exchange for more power of course.

Do we need to go on? These people are taking you for a ride. You have one life and only a certain amount of time in it, but that time is being taken away, passively, to support incompetents!

You go along with it because you're afraid. The idea of universal equality and rights sounds good to us because we're afraid as a group. If you the individual speak out against it, the others may gang up and you and clobber you — for denying their denial of reality.

The guilt and passive aggression that manipulates you has a huge cost, but all the people who are afraid that they might be incompetent are going to insist on it, even if it means that society as a whole moves like a person encased in lead, always pandering to the weakest link in the chain.

The individuals around you are thinking like the crabs in the bucket: they want to claw above you by appearing more egalitarian, more progressive, more compassionate than you. They don't care about the results of their actions. They're just trying to get more popular.

There are two real victims here: civilisation itself, which stops rising to a challenge and starts collapsing inward; and yourself, because your time is wasted and all of those resources of time, money and energy you could have applied to something constructive are taken away.

It's a reversal of evolution. Instead of seeking to get better, and when we find something better spreading it around, we're trying to avoid anything better because it might make us look bad.

And they're going to waste your life by slowing everyone down to the speed of that weakest link in the chain.

The following article suggests on means of helping us past this difficult point in — not history, but evolution itself — through psychological conditioning:

A recent study led by Phelps found that reminding people of the fearful stimuli, minus any fear-inducing event, shortly before the extinction session can effectively block the first memory. The finding could help improve therapies for overcoming fear.

The mechanism for the initial memory's defeat could be that the initial quick reminder induces the amygdala to store new information, Phelps explains. The window during which the amygdala is "open" is fleeting, however, and could explain why the reminder shown 10 minutes, but not six hours, before the first extinction session, eradicated fear. As Phelps notes, relearning a memory, also known as reconsolidation, takes place much faster, within several minutes, than learning the memory for the first time, or consolidation.

Scientific American

You're afraid of social trauma, which is when you do something and other people make fun of you for it and exclude you, if not outright beat you with sticks.

In the past, you've accidentally said things that violated a social taboo, and people have swooped in en masse to tell you how wrong you are. They may have summoned a priest, some scientific studies of dubious scope, or the opinions of your favourite Hollywood stars. They're telling you that no matter what you see in reality, they are the ones to define official truth — and hilariously, if you disagree, they'll claim you are redefining "commonly accepted" truth!

You can see the public/private split here. In public, we're using opinions and logic and science. In private, we're animals struggling against each other for power, and the cudgels we wield are disguised as opinions and logic and science.

With the above type of conditioning, and it wouldn't take much, we could re-organise our people. We should have public rallies where each participant steps out and says, "You know, we're not all equal and we can't pander to the weakest link in the chain just so we seem nicer than our neighbours."

And in the presence of others of our community, we watch as nothing happens. No pain. No nasty commentary. No cudgels. We learn instead to trust our own observations of reality as it is, and stop projecting these social falsehoods onto it just so we can climb a little higher in the social status game.

2.87 "Western", modern countries that never adopted multiculturalism - Japan, South Korea and Taiwan

Japan's and South Korea's post-World War II forty-year economic growth surge without immigration has always been an embarrassment to the immigration and multiculturalism enthusiasts. In 1990, the then-Designated Enthusiast Economist Julian Simon was reduced to admitting: "How Japan gets along I don't know. But we may have to recognise that some countries are unique in their characteristics."

Western Europe have had a long and close friendship with these countries post WW2. They have not initialised media campaigns portraying these countries as Nazis, boycotted them economically or threatened them with invasion if they don't start implementing multiculturalism. It's therefore quite contradictory to how Western Europe ridicule, harass and persecute any and all individuals and groups in their own countries who support monoculturalism.

Japan and multiculturalism

Japanese society, with its ideology of homogeneity, has opposed multiculturalism which has been adopted by Western Europe and the US.

Japan accepted just 16 refugees in 1999, while the United States took in 85,010 for resettlement, according to the UNHCR. New Zealand, which is smaller than Japan, accepted 1,140 refugees in 1999. Just 305 persons were recognised as refugees by Japan from 1981, when Japan ratified the U.N. Convention Relating to the Status of Refugees, to 2002.

Source:
<http://en.wikipedia.org/wiki/Multi-culturalism>

South Korea and multiculturalism

South Korea is among the world's most ethnically homogeneous nations. Like Japan and Taiwan, South Korea rejects the doctrine of multiculturalism. Most Koreans tend to equate nationality or citizenship with membership in a single, homogeneous ethnic group sharing the same "blood" and history. A common language and culture are also viewed as important elements in Korean identity.

The idea of multiracial or multiethnic nations, like Canada or the United States, is opposed in general and strikes many Koreans as odd or even contradictory.

Source:
<http://en.wikipedia.org/wiki/Multi-culturalism>

China, Africa, the Islamic world and multiculturalism

The European cultural Marxists/multiculturalists often directly or indirectly claim that everyone opposing multiculturalism are racists, fascists and Nazis. So according to their

logic China, Africa and the Islamic world are all Nazi regimes as they never implemented multiculturalism. As of now, ONLY European countries (US, Canada, Aussie included) and a few Hindu and Buddhist countries are actual multiculturalist regimes (India, Thailand Phillipines and a couple more). So why the double standards? Why do they only use the fascist/Nazi bashing rhetoric to paralyze all attempts of resistance in European nations and against patriotic groups and individuals? The answer is discussed thoroughly in this compendium. The phenomenon is called the self loathing complex also referred to as "European guilt" in combination with the Marxist goal of destroying the European, Christian, straight man. One of the primary beliefs of many Marxists is that everything European is a cancer in the world that has to be exterminated. According to their logic; Europeans are the cause of all the evil in the world so they must exterminate all Europeans (deconstruct the European majority) in order to be able to create the Marxist utopia of eternal peace and harmony.

Africa, China and the Islamic world

China is a monocultural country, just like African nations and a majority of countries in the Islamic world. Everyone who has travelled and lived in Africa knows that all African nations, with the exception of perhaps South Africa, are monocultural nations and they are very racist towards all Europeans. I have personally experienced overwhelming discrimination from the first second I set my foot in Kenya, Côte d'Ivoire and Liberia. And you really don't have to travel to African nations to comprehend this as it is a widely known truth. Talk to ANY European visitor to Africa and ask if he would want to settle there with his family and the answer would be "no". This is primarily due to discrimination. The same can be said about China and the Islamic world. While a significant number of citizens in Islamic or Muslim countries are directly hostile to Europeans, Chinese are usually just after your money. It is unbearable to live the rest of your life in a country where there is a constant and an overwhelming danger of being "Shanghaied". My stepmother was the Norwegian Vice Consul in Shanghai and I know several Europeans working there. They are willing to "cope" for the duration of their company term, as the pay is good, but they would never settle there permanently with their families. I remember when I was in Shanghai a few years ago. During my three week stay I had more than 10 people asking me to take a photograph with them. Apparently, the Nordic appearance is a relatively rare sight, especially for rural Chinese visiting the big cities during their vacation. While this can be a charming and even a flattering experience, having a mob of people constantly glaring at you all day long is a psychological burden. An example is when I went to Mc Donalds with my friend, Xun. He is a Norwegian Chinese btw and he was my partner at one point, in Oslo, when I day traded actively. He taught me advanced Chinese candlestick/MACD strategies in relation to stock analysis. Anyway, at Mc Donalds as with anywhere, it is not likely that you will enjoy your meal when you have 50 Chinese constantly glaring at you. During my stay in Shanghai there were 5 attempts to Shanghai me (they target Europeans), one was unfortunately successful (30 Euro demanded for a simple 1 Euro dish).

As for China on a state level, they actively use demographical warfare against Tibet and areas populated by Muslim Uyghurs. China is a monocultural country, just like African nations and a majority of countries in the Islamic world.

2.88 Democracy not working

By Fjordman

Currently, the democratic system is in my view not working properly in any Western country. It is more or less dead in Western Europe, where most of the real power has been transferred to the unelected organs of the European Union, anyway. Virtually all Western countries have lost control over their borders. This is not a sustainable situation. You can call your political system a democracy, a dictatorship, a republic, a monarchy or whatever you want, but a country that does not control its territory will eventually die. It's inevitable.

The situation is made worse by the fact that globalisation of transportation has put severe pressure on our nations in a manner which was unthinkable only a few decades ago. When the first Christian Gospels were written down at the end of the first century AD, the population of the Roman Empire was about 60 million people. This mirrors the annual global population growth in the early twenty-first century. In other words: The global population grows by another Roman Empire every single year. Our system wasn't designed for such numbers. It needs fundamental change, or it will soon collapse into civil wars or dictatorships or both. We also have a situation where some left-wing parties in particular deliberately import Muslims and others because they vote overwhelmingly for left-wing parties. A political system where it pays to import enemies obviously isn't sustainable.

When I criticise democracy, this should not be taken as an indication that I believe in elitist rule. I criticise it because it clearly doesn't automatically ensure freedom of speech and security for life and property, which is the hallmark of true liberty. Another problem is that it isn't always the best system for long-term decisions because people tend to prefer short-term gains. I still believe, however, that there should be a powerful element of real public influence, to curtail the potential for absolute rulers and abuse of power. We have clearly veered too far in the direction of the latter with the EU, where the ruling elites have skillfully eliminated any constraints on their power.

The democratic system has significant flaws, but it worked to some extent as long as there was sense of being a demos, a people with a shared identity and common interests. What we are witnessing now is the gradual breakdown of this demos, starting from the top down. Powerful groups frequently have more in common with the elites in other countries than they have with the average citizen in their own. If you no longer believe in your nation as a real entity with a specific culture, it simply becomes a tool for obtaining power, a stepping stone for your global career. Without a pre-political loyalty, emotional ties or even a pragmatic interest in supporting nation states, the democratic system becomes a vehicle for distributing favors to your friends at home and abroad, for fleecing the voters while in power and hopefully ensuring a lucrative international career along the way. You will have few moral inhibitions against importing voters from abroad for maintaining power or because your business buddies who give you financial support desire it. This process is related to technological globalisation, but it has gone further in the self-loathing West than in any other civilisation.

Average citizens who still identify with their nation states thus keep electing people who betray their trust. Since the elites identify little with the nations they are supposed to serve, more power to them will only make matters worse, as it already has in Europe. Corrupt and incompetent individuals will always exist. If you get a corrupt leader every now and then you are dealing with a flawed individual. If you constantly, again and again, get corrupt leaders you are dealing with a flawed system. Our political system is now deeply flawed. The problem is that I cannot easily see how to fix it.

The most important thing to realise is that democracy is a tool, a means we use to achieve an end. Too many people now confuse it with the end itself. "Democracy" has come to mean something that is good, something everybody wants, a bit like sex or chocolate. But there is no rational reason to assume that democracy of universal suffrage is uniformly good and can be applied with equal success in all circumstances, a huge mistake Americans made in Iraq.

Any political system must first and foremost ensure the survival, the continued physical existence, of the community it serves. After that comes ensuring the prosperity and liberty of this community in the best possible way. However, when I look at the situation in Western countries today, I cannot see that democracy always ensures our liberty or prosperity, and in many cases it functions so poorly that it threatens our very survival. Perhaps in order to ensure our continued existence, we need to supplement democracy with other tools in our toolkit.

Source:

<http://democracyreform.blogspot.com/2008/09/democracy-not-working-essay-by-fjordman.html>

2.89 The Rape of Europe – emigration of indigenous Europeans?

The German author Henryk M. Broder recently told the Dutch newspaper De Volkskrant (12 October) that young Europeans who love freedom, better emigrate. Europe as we know it will no longer exist 20 years from now. Whilst sitting on a terrace in Berlin, Broder pointed to the other customers and the passers-by and said melancholically: "We are watching the world of yesterday."

Broder is convinced that the Europeans are not willing to oppose Islamisation. "The dominant ethos," he told De Volkskrant, "is perfectly voiced by the stupid blonde woman author with whom I recently debated. She said that it is sometimes better to let yourself be raped than to risk serious injuries while resisting. She said it is sometimes better to avoid fighting than run the risk of death."

Europe is turning Muslim. As Broder is sixty years old he is not going to emigrate himself. "I am too old," he said. However, he urged young people to get out and "move to Australia or New Zealand. That is the only option they have if they want to avoid the plagues that will turn the old continent uninhabitable."

Many Germans and Dutch, apparently, did not wait for Broder's advice. The number of emigrants leaving the Netherlands and Germany has already surpassed the number of immigrants moving in. One does not have to be prophetic to predict, like Henryk Broder, that Europe is becoming Islamic.

Just consider the demographics. The number of Muslims in contemporary Europe is estimated to be 50 million. It is expected to double in twenty years. By 2025, one third of all European children will be born to Muslim families. Today Mohammed is already the most popular name for new-born boys in Brussels, Amsterdam, Rotterdam, and other major European cities.



Broder is convinced that the Europeans are not willing to oppose Islamisation. "The dominant ethos," he told De Volkskrant, "is perfectly voiced by the stupid blonde woman author with whom I recently debated. She said that it is sometimes better to let yourself be raped than to risk serious injuries while resisting. She said it is sometimes better to avoid fighting than run the risk of death."

In a recent op-ed piece in the Brussels newspaper De Standaard (23 October) the Dutch (gay and self-declared "humanist") author Oscar Van den Boogaard refers to Broder's interview. Van den Boogaard says that to him coping with the Islamisation of Europe is like "a process of mourning." He is overwhelmed by a "feeling of sadness." "I am not a warrior," he says, "but who is? I have never learned to fight for my freedom. I was only good at enjoying it."

As Tom Bethell wrote in this month's American Spectator: "Just at the most basic level of demography the secular-humanist option is not working." But there is more to it than the fact that non-religious people tend not to have as many children as religious people, because many of them prefer to "enjoy" freedom rather than renounce it for the sake of children. Secularists, it seems to me, are also less keen on fighting. Since they do not believe in an afterlife, this life is the only thing they have to lose. Hence they will rather accept submission than fight. Like the German feminist Broder referred to, they prefer to be raped than to resist.

"If faith collapses, civilisation goes with it," says Bethell. That is the real cause of the closing of civilisation in Europe. Islamisation is simply the consequence. The very word Islam means "submission" and the secularists have submitted already. Many Europeans have already become Muslims, though they do not realise it or do not want to admit it.

Some of the people I meet in the U.S. are particularly worried about the rise of anti-Semitism in Europe. They are correct when they fear that anti-Semitism is also on the rise among non-immigrant Europeans. The latter hate people with a fighting spirit. Contemporary anti-Semitism in Europe (at least when coming from native Europeans) is related to anti-Americanism. People who are not prepared to resist and are eager to submit, hate others who do not want to submit and are prepared to fight. They hate them because they are afraid that the latter will endanger their lives as well. In their view everyone must submit.

This is why they have come to hate Israel and America so much, and the small band of European "islamophobes" who dare to talk about what they see happening around them. West Europeans have to choose between submission (islam) or death. I fear, like Broder, that they have chosen submission – just like in former days when they preferred to be red rather than dead.

Source:

<http://www.brusselsjournal.com/node/1609>

2.90 Suggestions for the Future

By Fjordman

"If we extend unlimited tolerance even to those who are intolerant, if we are not prepared to defend a tolerant society against the onslaught of the intolerant, then the tolerant will be destroyed, and tolerance with them.

We should therefore claim, in the name of tolerance, the right not to tolerate the intolerant."

Karl Popper

How should we respond to the threats our civilisation is facing? First of all, ordinary citizens should arm themselves immediately since crime and violence is spreading fast throughout the Western world. Second, we need to reclaim pride in our heritage, which has been systematically taken away from us in recent generations, and restore a proper teaching of this in our education system. We should assume that the mass media and our leaders are not telling us the full truth about the scale and consequences of Muslim immigration.

We are told that the ongoing mass immigration from alien cultures is "good for the economy." This is demonstrably false and resembles the "Big Lie" technique employed by the Nazis. Even if it were true, I would still reject this argument. I am not willing to give up our existence as a people and the heritage entrusted upon me by my ancestors in the hypothetical hope that doing so will earn me a few chocolate bars or electronic toys, of which we already have plenty. The notion that man is homo economicus, the economic man, nothing more than the sum of his functions as a worker and consumer, is widely shared by both left-wingers and many right-wingers. It is one of the most destructive ideologies of our time and needs to be defeated while there is still something left of European civilisation to preserve.

One "anti-Jihadist" in Scandinavia once indicated that it was OK with a Muslim majority in Europe as long as these Muslims respect "human rights." They won't, of course, but that's not the point. The "debate" we have is thus between those who believe we should accept unlimited mass immigration and those who believe we should accept unlimited mass immigration as long as those who replace us believe in "human rights," where the former groups views the latter as "racists." At no point is there any debate of whether native Europeans have the right to preserve our cultures and historical identities.

Globalism is the enemy within which needs to be defeated. Globalism does not refer to the impersonal forces of technological globalisation (although committed Globalists like to pretend that it does, because this makes their ideological program seem "inevitable"), but to a Utopian ideology stating that erasing all national cultures and states (especially Western ones) is a positive good which should be promoted and forced down people's throats. Opposition to this undertaking should be banned as "discrimination," "racism," "extremism" and "nationalism" (the terms are used as synonyms).

I've engaged in long discussions as to whether or not our current weakness is caused by deeper-lying, structural flaws in our civilisation or whether it is promoted by certain powerful groups with a dangerous agenda. My answer is that it is both. The ideology of Globalism is indeed promoted by certain elite groups much more than by the average citizen, and these ideas are enforced from above. This is happening all over the Western world, but it is particularly dangerous in Western Europe because of the legislative powers of the European Union and its non-elected oligarchy.

Although Leftists tend to be more aggressive, perhaps the dividing line in the internal struggle in the West is less between Left and Right and more between those who value national sovereignty and European culture and those who do not. Upholding national borders has become more important in the age of globalisation, not less. We need to reclaim control over our borders and reject any organisation, either the EU, the UN, various human rights groups or others who prevent us from doing this. We must remind our political leaders that we pay national taxes because they are supposed to uphold our national borders. If they can't do so, the social contract is breached, and we should no longer be required to pay our taxes. National taxes, national borders could become a new rallying cry.

There are both left-wing and right-wing Globalists. They have different agendas, for instance with left-wing Globalists putting emphasis on silencing free speech and promoting "international law" through the United Nations and similar organisations, while right-wing Globalists concentrate more on the free flow of people across borders, just as they want free flow of goods and capital across borders. The Presidential election campaign in the USA in 2008 between Obama and McCain is a race between a left-wing and a right-wing Globalist. Both want open borders, if only for slightly different reasons, and tend to think of countries as ideas, not as entities populated by distinct peoples with shared values and a common history.

An ideological "war within the West" has paved the way for a physical "war against the West" waged by Islamic Jihadists, who correctly view our acceptance of Muslim immigration as a sign of weakness. Perhaps we will need to resolve the war within the West before we can win the war against the West. When Europeans such as Polish king Jan III Sobieski led their troops to victory over the Turks in the 1683 Battle of Vienna, they fought for a number of things: Their country, their culture and their religion. People don't just need to live; they need something to live for, and fight for.

We are against Islam. What are we for? I would suggest that one thing we should fight for is national sovereignty and the right to preserve our culture and pass it on to future generations. We are fighting for the right to define our own laws and national policies, not to be held hostage by the United Nations, unaccountable NGOs, transnational progressives or self-appointed guardians of the truth.

At the beginning of the 21st century, the West is the sick man of the world. We provide our sworn enemies with the technology and medicine to multiply, give them the transportation and legal rights to move to our countries (after showing them through TV and movies how much better life is in our part of the world). On top of this, we pay them to colonise our countries and harass our children, while our leaders ban opposition to this as intolerance, discrimination and racism. When did the West stop thinking? Where did we go wrong? Here is the answer an American friend of mine gave:

"Well, there's Marxism of course, which was extremely damaging in all its forms. There were the two world wars which killed so many of our people and caused a lack of cultural confidence. Then there was the Pax Americana and the unprecedented safety and affluence it brought to the Western World. We have now had two generations of Westerners, almost three, who have never known real poverty, hunger, war, or 'the knock on the door in the middle of the night.' Without a need for survival skills, we had the time and the money to focus on ever-more insane political and cultural ideologies...I think I remember reading something about how the Indian Hindu empires became ripe for conquest by Islam — 'They focused on becoming good, instead of remaining powerful.' I can't remember the source on that though. But that's what we are now — obsessing about how to be good, not on being powerful. And our 'goodness' isn't worth much if the rest of the world is focused on becoming powerful. Also, you have to remember, a lot of people are making money out of these insane ideologies. The 'diversity' industry in the U.S. is worth billions — people with little skills or ability are being given comfy well-paid jobs because of it.. And because of anti-discrimination laws, every organisation, whether for profit or not, must have a

'diversity' plan to point to if they ever get sued for 'discrimination.' It's literally a recession-proof captive industry. Anyways we're sick and the whole world knows it. They are coming here to feed off our sickness."

The West is rapidly declining as a percentage of world population and in danger of being overwhelmed by immigration from poorer countries with booming populations. People of European origins need to adjust our self-image correspondingly and ditch the current ideology of deranged altruism. We are not all-powerful and are not in a position to help everybody in developing countries out of poverty, certainly not by allowing them to move here. We need to develop a new mental paradigm dedicated to our own survival.

We should take a break from mass immigration in general. Any future immigration needs to be strictly controlled and exclusively non-Muslim. This break should be used to demonstrate clearly that the West will no longer serve as the dumping ground for excess population growth in other countries. We have cultures that we'd like to preserve, too, and cannot and should not be expected to accept unlimited number of migrants from other countries.

In my view, the best way to deal with the Islamic world is to have as little to do with it as possible. We should completely stop and if necessary ban Muslim immigration. This could be done in creative and indirect ways, such as banning immigration from nations with citizens known to be engaged in terrorist activities. We should remove all Muslim non-citizens currently in the West and change our laws to ensure that Muslim citizens who advocate sharia, preach Jihad, the inequality of "infidels" and of women should have their citizenship revoked and be deported back to their country of origin.

We need to create an environment where the practice of Islam is made difficult. Much of this can be done in non-discriminatory ways, by simply refusing to allow special pleading to Muslims. Do not allow the Islamic public call to prayer as it is offensive to other faiths. Boys and girls should take part in all sporting and social activities of the school and the community. The veil should be banned in all public institutions, thus contributing to breaking the traditional subjugation of women. Companies and public buildings should not be forced to build prayer rooms for Muslims. Enact laws to eliminate the abuse of family reunification laws. Do not permit major investments by Muslims in Western media or universities.

American columnist Diana West[1] wants us to shift from a pro-democracy offensive to an anti-sharia defensive. Calling this a "War on Terror" as President George W. Bush did in 2001 was a mistake. Baron Bodissey of the Gates of Vienna blog has suggested the slogan "Take Back the Culture," thus focusing on our internal struggle for traditional European culture.

People should be educated about the realities of Jihad and sharia. Educating non-Muslims about Islam is more important than educating Muslims, but we should do both. Groups of dedicated individuals should engage in efforts to explain the real nature of Islam, emphasising the division that Islam teaches between Believer and Infidel, the permanent state of war between Dar al-Islam and Dar al-Harb and the use of taqiyya and kitman, religious deception.

As Hugh Fitzgerald of Jihad Watch[2] says, we should explain why Islam encourages despotism (because allegiance is owed the ruler as long as he is a Muslim), economic paralysis, intellectual failure (the cult of authority, the hostility to free and skeptical inquiry) in Islamic countries. Let Muslims themselves begin slowly to understand that all of their political, economic, social, intellectual, and moral failures are a result of Islamic teachings.

Fitzgerald also suggests exploiting the many fissures within the Islamic world: Divide and conquer. Divide and demoralise. Islam has universalist claims but it talks about Arabs as the "best of peoples," and has been a vehicle for Arab supremacy, to promote Arab conquest of wealthier non-Arab populations. In addition to divisions between Arabs and non-Arab Muslims, we have the sectarian divide between Shias and Sunnis, and the economic division between the fabulously rich oil-and-natural-gas Arab states and the poor Muslim countries.

Both the sectarian and economic divisions within Islam are best exploited by infidels doing nothing. If the Western world stops giving Egypt, Pakistan, Jordan, and the Palestinians "aid," which has in reality become a disguised form of jizya, this will clear the psychological air. And it will force the poorer Arabs and other Muslims to go to the rich Arabs for support.

Right now, Muslims can enjoy the best of both worlds, and follow primitive religious laws while enjoying the fruits of 21st century civilisation. We need to drive home the utter failure of the Islamic model by making sure that Muslims should no longer be able to count on permanent Western or infidel aid in their overpopulated, self-primitivised states, whose very unviability they are prevented from recognising by this constant infusion of aid.

We need to deprive Muslims as much as possible of Western jizya in other forms, which means ending foreign aid, but also institute a Manhattan Project for alternative sources of energy, in order to become independent of Arab oil.

As Mr. Fitzgerald asks[3] : "What would the rich Arabs do if the Western world decided to seize their property in the West as the assets of enemy aliens, just as was done to the property owned not only by the German government, but by individual Germans, during World War II? And what would they do if they were to be permanently deprived of easy access to Western medical care?"

We must reject the "You turn into what you fight" argument. Those who fought the Nazis didn't become Nazis during the Second World War. The truth is, we will become like Muslims if we don't stand up to them and keep them out of our countries, otherwise they will subdue us and Islamise us by force. The West isn't feared because we are "oppressors," we are despised because we are perceived as weak and decadent. Jihadist websites have said that China[4] is not the enemy at the moment. China, too, is an infidel enemy, but Muslims respect the Chinese more than Western nations. We can live with having enemies. The important thing is making sure that our enemies respect us, as Machiavelli indicated in *The Prince*.

We should implement a policy of containment of the Islamic world, but for this to work we will sometimes have to take military action to crush Muslim pretensions to grandeur. The Buddhists of Central Asia undoubtedly held the "moral high ground" in relations to Muslims. They are all dead now. At the very least, we must be prepared to back up our ideological defences with force on certain occasions.

Several objections could be raised against the containment option. Some claim that it is too harsh and thus won't be implemented; others say that it is insufficient and won't work in the long run. It's true that in the current political climate, expulsion of sharia-sponsoring Muslims isn't going to happen, but the current ruling paradigm won't last. It is likely that we will get civil wars in several Western countries because of the ongoing mass immigration. This will finally demonstrate how serious the situation is and force other Western nations to act.

I have heard comments that it isn't practically doable to contain the Islamic world behind some artificial Maginot Line. When the Mongols could simply go around the Great Wall of

China in the thirteenth century, it will be impossible to contain anybody in an age of modern communication technology. No, it won't be easy, but we should at least try. Containment isn't necessarily the only thing we need to do, just the very minimum that is acceptable. Perhaps the spread of nuclear technology will indeed trigger a large-scale war with the Islamic world at some point. The only way to prevent this is to take steps, including military ones, to deprive Muslims of dangerous technology. Jihad is waged by military, political, financial, demographic and diplomatic means. The defence against Jihad has to be equally diverse.

In the post What Can We Do?[5], Gates of Vienna republished an essay by reader Westerner which was originally posted at American writer Lawrence Auster's website. Westerner argues that the separationist policy[6] proposed by Auster and others of rolling back, containing, and using military force to quarantine Muslims would not be sufficient to make the non-Islamic world safe, because Islamic regimes would still exist and continue to seek ways to harm us. He therefore proposes a policy aimed at crushing Islam. Nevertheless, my general policy recommendation is to advocate separation and containment. The crucial point is to stress that Islam cannot be reformed and cannot be reconciled with our way of life.

According to blogger Conservative Swede, "In fact it is easier to argue for a stop of ALL immigration, to the general public, than a specific stop of Muslim immigration (maybe not in America, but surely in Sweden and the rest of Europe). People simply know very little about Islam. They need to be educated first, and already that is a big effort. So this is the first step. Before this has been achieved, before the awareness about the true face of Islam is firmly represented among the general public, it becomes pointless to push for deportation of all Muslims at the arenas directed at the general public. The first and current step is about educating people about Islam." He puts emphasis on the need for breaking the spirit of our Jihadist enemies and finding ways of symbolically defeat them.

I have been criticised because my talk about containment and the need to limit even non-Muslim immigration smacks of the siege mentality of a friendless West. Advocating a policy of much stricter immigration control in general isn't based on isolationism, it's based on realism. We're in the middle of the largest migration waves in human history. The simple fact is that far more people want to live in the West than we can possibly let in. Technology has made it easier for people to settle in other countries, and easier for them to stay in touch with their original homeland as if they never left. We have to deal with this fact by slowing the immigration rates to assimilation levels; otherwise our societies will eventually break down.

I'm advocating isolation of the Islamic world, not of the West. Even if we cannot allow all non-Muslims to freely settle in our lands, this does not mean that they have to be our enemies. Jihad is being waged against the entire non-Muslim world, not just the West. We should stop trying to "win the hearts and minds" of Muslims instead cooperate with other non-Muslims.

The United Nations[7] is heavily infiltrated by Islamic groups. We should starve it for funds and ridicule it at any given opportunity. As an alternative to the UN, we could create an organisation where only democratic states could become members. The most important principle at this point is to contain the Islamic world. We simply cannot allow our enemies to have influence over our policies, which they do through the UN.

Europeans need to totally dismantle the European Union and regain national control over our borders and legislation. The EU is so deeply flawed and infiltrated by pro-Islamic thinking that it simply cannot be reformed. No, the EU isn't the only problem we have, but it is the worst, and we can't fix our other problems as long as the EU is in charge. And let's end the stupid support for the Palestinians that the Eurabians have encouraged and start supporting our cultural cousin, Israel. Europe's first line of defence starts in

Jerusalem.

Europeans should adopt legislation similar to the First and Second Amendments in the American Bill of Rights, securing the right to free speech and gun ownership. The reason why European authorities are becoming increasingly totalitarian in their censorship efforts is to conceal the fact that they are no longer willing or able to uphold even the most basic security of their citizenry, far less our national borders.

We need to ditch the welfare state[8], which is probably doomed anyway. The welfare state wasn't all bad, but it cannot compete in a world of billions of capitalists in low-cost countries. It creates a false sense of security in a dog-eat-dog world and breeds a passivity that is very dangerous in our struggle for survival. We should use the money to strengthen our border controls and rebuild credible militaries.. Western Europeans have lived under Pax Americana for so long that we have forgotten how to defend ourselves. This needs to change, and soon.

I recently read the book *The Shock Doctrine*[9] by the prominent left-wing intellectual Naomi Klein. That is, I made an attempt to read it. I gave up after a few chapters. Klein talks about how clean slate ideologies are dangerous, and mentions in passing some crimes committed by the Soviet regime and the criticism which followed its collapse.

Then she says:

The process has sparked heated debate around the world about how many of these atrocities stemmed from the ideology invoked, as opposed to its distortion by adherents like Stalin, Ceausescu, Mao and Pol Pot. 'It was flesh-and-blood Communism that imposed wholesale repression, culminating in a state-sponsored reign of terror,' writes Stéphane Courtois, co-author of the contentious *Black Book of Communism*[10]. 'Is the ideology itself blameless?' Of course it is not. It doesn't follow that all forms of Communism are inherently genocidal, as some have gleefully claimed, but it was certainly an interpretation of Communist theory that was doctrinaire, authoritarian, and contemptuous of pluralism that led to Stalin's purges and to Mao's re-education camps. Authoritarian Communism is, and should be, forever tainted by those real-world laboratories. But what of the contemporary crusade to liberate world markets?

Klein claims that not all forms of market systems have to be inherently violent. They can leave room for free health care, too. She condemns "authoritarian interpretations" of Communism, but not necessarily Communism as such. Exactly where we can find examples of non-authoritarian Communism she doesn't say. That's as far as self-criticism has progressed in the political Left a generation after we "defeated" Socialism.

The economist Milton Friedman, along with F. Hayek, is one of the villains of Naomi Klein's book. According to her, Friedman has stated that "only a crisis — actual or perceived — produces real change. When that crisis occurs, the actions that are taken depend on the ideas that are lying around. That, I believe, is our basic function: to develop alternatives to existing policies, to keep them alive and available until the politically impossible becomes politically inevitable." Friedman believes that during a crisis, we only have a brief window of opportunity before society slips back into the "tyranny of the status quo," and that we need to use this opportunity or lose it.

This is actually sound advice and in my view the strategy Western survivalists should follow. When I first started writing as Fjordman I focused on how to "fix the system." I've gradually come to the conclusion that the system cannot be fixed. Not only does it have too many enemies; it also contains too many internal contradictions. If we define the "system" as mass immigration from alien cultures, Globalism, multiculturalism and suppression of free speech in the name of "tolerance," then this is going to collapse. It's inevitable.

The goal of European and Western survivalists — and that's what we are, it is our very

survival that is at stake — should not be to “fix the system,” but to be mentally and physically prepared for its collapse, and to develop coherent answers to what went wrong and prepare to implement the necessary remedies when the time comes. We need to seize the window of opportunity, and in order to do so, we need to define clearly what we want to achieve. What went wrong with our civilisation, and how can we survive and hopefully regenerate, despite being an increasingly vulnerable minority in an often hostile world?

I have suggested that we never won the Cold War as decisively as we should have done. The enemy has been regrouping and now largely controls our media and educational institutions less than a generation after the fall of the Berlin Wall. We did not have public trials against the supporters of Marxism just as we did against Nazism. This was a serious mistake which we should not repeat again. If or when the European Union collapses and multiculturalism is defeated, we need to stage public trials against the creators of Eurabia and denounce the lies continuously told by our media and academia. Their ideology needs to be exposed as evil.

The political elites implement the agendas of our enemies and ignore the interests of their own people. They are collaborators and should be treated accordingly. The problem is that they currently feel quite comfortable and secure. They fear the reactions of Muslims, but despise their own people. They view us as sheep, existing only to provide them with champagne and nice cars and to be guinea pigs in their grandiose social experiments. Change will only come when they fear us, and the consequences of their own betrayal, more than they fear Muslims.

People of European origins can gain a future by reclaiming our past, and end the hostility to our civilisation and heritage which is too often taught in our education system today. We need to reject those who demonise us simply because we desire self-determination. In order to achieve this, we need to regain control over our national borders and legislation, and we need to reclaim control over the media. Those who control the media, control society.

It is easy to blame others, but we have to accept responsibility for our situation. Yes, we have indeed been betrayed by our leaders, but that's still only part of the problem. People tend to get the governments they deserve. Maybe we get weak leaders because we are weak, or because they can exploit weaknesses in our mentality to get us where they want to; above all anti-Americanism, anti-Semitism, our excessive desire for consensus and suppression of dissent, the anti-individualistic legacy from Socialism and the passivity bred by welfare state bureaucracy. Muslims are stuck with their problems and corrupt leaders and blame everybody else for their own failures because they can never admit they are caused by deep flaws in their culture.. We shouldn't make the same mistake. Europeans export wine; Arabs export whine. That's the way it should be.

In his book *The River War* published in 1899, Winston Churchill wrote about the cursed effects of Mohammedanism (which is what Islam really is):

The effects are apparent in many countries. Improvident habits, slovenly systems of agriculture, sluggish methods of commerce, and insecurity of property exist wherever the followers of the Prophet rule or live. A degraded sensualism deprives this life of its grace and refinement; the next of its dignity and sanctity. The fact that in Mohammedan law every woman must belong to some man as his absolute property, either as a child, a wife, or a concubine, must delay the final extinction of slavery until the faith of Islam has ceased to be a great power among men. Individual Moslems may show splendid qualities — but the influence of the religion paralyses the social development of those who follow it. No stronger retrograde force exists in the world. Far from being moribund, Mohammedanism is a militant and proselytising faith. It has already spread throughout Central Africa, raising fearless warriors at every step; and were it not that Christianity is

sheltered in the strong arms of science, the science against which it had vainly struggled, the civilisation of modern Europe might fall, as fell the civilisation of ancient Rome.

This description remains right today. Nevertheless, bad as it is, Islam isn't the cause of our current weakness; it is a secondary infection. In addition to plain decadence, there is a widespread feeling in much of Europe that nothing is worth fighting for, certainly not through armed struggle. There are no Great Truths, everything is equal. Maybe Europe's faith in itself died in Auschwitz, but it was severely wounded in the trenches of the First World War. It was WW1 that radicalised Europe, triggered the Russian Revolution and the rise of Soviet Communism, and filled Germany, including a young corporal named Adolf Hitler, with a desire for vengeance and much of the ammunition they needed for their rise to power in the 1930s.

I have heard claims that European civilisation will not survive the twenty-first century. A century is a very long time, we should remember that. Would anybody (except a Churchill) in the early twentieth century, when Europe was strong and powerful, have predicted that Europe would now be in the process of being overpowered by Algerians and Pakistanis? Things change. They can change for the worse, but they can also change for the better. Our ancestors, better men and women than we are, held the line against Islam for more than one thousand years, sacrificing their blood for the continent. By doing so, they not only preserved the European heartland and thus Western civilisation itself, but quite possibly the world in general from unchallenged Islamic dominance. The stakes involved now are no less than they were then, possibly even greater.

Some people claim that Europe isn't worth fighting for, and that many people here deserve what's coming. Some of them probably do, yes. The problem is that the people who deserve most to be punished for the current mess are the ones who are least likely to pay the price. The creators of Eurabia will be the first to flee the continent when the going gets tough, leaving those who have hardly heard of Eurabia and never approved of its creation to fight.

Edmund Burke believed that if a society can be seen as a contract, we must recognise that most parties to the contract are either dead or not yet born. I like that idea, which means that when you fight for a country, you don't just fight for the ones that are there now, but for those who lived there before and for those who will live there in the future. If we don't want to fight for what Europe is today then let us fight for what it once was, and maybe, just maybe, for what it may become once more. There was real greatness in this continent once. It seems a long time ago now, but we can get there again. Meanwhile, let us work to ensure the survival of European civilisation, which is now very much in question.

Source:

<http://gatesofvienna.blogspot.com/2008/09/suggestions-for-future.html#c8772512582428522002>

1. <http://www.washtimes.com/op-ed/20060824-084015-5082r.htm>
2. <http://www.jihadwatch.org/dhimmiwatch/archives/011106.php>
3. <http://www.jihadwatch.org/dhimmiwatch/archives/2006/05/011325print.html>
4. <http://www.jihadwatch.org/archives/022076.php>
5. <http://gatesofvienna.blogspot.com/2008/07/what-can-we-do.html>
6. <http://www.amnation.com/vfr/archives/006250.html>
7. <http://www.brusselsjournal.com/node/1224>
8. <http://gatesofvienna.blogspot.com/2006/08/welfare-state-is-dead-long-live.html>
9. <http://www.amazon.com/Shock-Doctrine-Rise-Disaster-Capitalism/dp/0312427999/>
10. <http://www.amazon.com/Black-Book-Communism-Crimes-Repression/dp/0674076087>

2.91 What Do We Fight For?

By Fjordman

I have tried to contribute to a new vocabulary by coining the word "Caucasophobia[1]" for anti-white racism, and have suggested the term "self-termination[2]" for organised Western self-loathing and the Western policy of unilaterally dismantling our own culture. Both terms are OK, but if somebody can come up with something better and more catchy, I'm all ears. One can say many bad things about the word "Islamophobia," but it's easy to understand and sticks in your mind. If the shariabots can come up with a word like that then infidels shouldn't be any less inventive.

We are against Sharia and Jihad, but what are we for? What is Western civilisation? What exactly sets it apart from others and makes it worth keeping? If we're going to defend[3] "freedom" and "Western civilisation," we need to define precisely what we are talking about.

I would personally say that the emphasis on the individual is our most defining trait as a civilisation. Both Muslims and internal collectivists hate our individualism the most, because it stands in the way of their ideologies. This is why they go to great lengths to smash it and replace it with group thinking. However, even our individualism can potentially be carried into such extremes that it can become a problem. Individuals still need to feel part of something greater and enduring, or society will be left unable to defend itself.

Another Western trait is a non-fatalistic outlook on the world and a belief in the ability of individuals to affect their own future, combined with linear thinking versus circular thinking, a high value placed on rationality versus emotionalism and last, but not least, curiosity — wanting to know how things "tick."

I still remember the first time I read the Koran. I soon discovered how intolerant it was, but my first impression was actually not that it was violent, but that it was remarkably incoherent and difficult to read. It's frequently self-contradictory, and Allah is portrayed as an unpredictable god. The Bible is more structured and with a higher literary quality than the Koran, even to a non-religious person. When European scientists initiated the Scientific Revolution[4], they assumed that God had made nature according to logical patterns that could be uncovered and predicted. But Islam, starting out with the structure of the Koran itself, assumes that there is no pattern, and that nature is simply subject to Allah's whims.

I have given detailed explanations to non-Muslims of how Muslims continuously deceive infidels, but frankly, Muslims even lie to each other. I've gradually come to the conclusion that it's not so much about lying as about the fact that truth is irrelevant in Islamic culture, which is why all kinds of ridiculous conspiracy theories always find an eager audience there. Notice how Pakistani ex-Muslim Mohammed Rasoel writes in his book *The Downfall of the Netherlands — Land of the Naive Fools*[5] how he comes from a culture where people "lie all the time," and consider persons who actually say what they think to be gullible fools.

Needless to say, this is also why Muslims have such a poor track record in science. Science is about uncovering truth, and if you come from a culture which holds that truth is irrelevant, you have a huge handicap. That is why the Scientific Revolution happened in Christian Europe, and not in the Islamic Middle East.

The sad part is, we are abandoning[6] the scientific method in the West as well. And it's not the only instance where we are regressing. Hate crime legislation constitutes a radical departure from the idea of equality before the law. You will be punished

differently for assaulting a black Muslim than for the same crime against a white Christian, a Hindu woman or a Jewish woman, a gay man or a straight man etc. Some would argue that this already happens in real life. However, the point here is that this principle has now become a formal aspect of the law. This constitutes a gross perversion of justice. It mirrors Islamic law, which mandates different punishments for the same crime, depending upon the religious background and the sex of both the perpetrator and the victim.

Islam has always valued individual life inequitably. But now there is a creeping tendency within the West toward the same view. In the case of assault or murder, an additional sentence is added if the act is viewed as a "hate crime." Murder is murder, and all human life is to be valued equally. However, according to multiculturalism we are required to treat all cultures and religions as equally valid, which they obviously are not. This perversion of reality makes the Western system of justice vulnerable to infiltration by Islamic law.

The West has traditionally been a rational civilisation. We now have an emotional culture, which we see clearly in the immigration debate where emphasis is on whether you "feel good" and whether your "intentions" are good when you support mass immigration, not on rationally calculating the long-term consequences of your actions.

Our education system is no longer dedicated to searching for truth or even recognising the concept that there is such a thing as "truth" in the first place, only multiple truths, all equally valid. Christian Europe could stage the Scientific Revolution precisely because it believed in truth and wanted to uncover truth. Post-Christian, Multicultural Europe no longer believes in truth, and would thus have been unable to stage the Scientific Revolution.

It is remarkable to notice how effective the "counter-culture" of the 1960s has been at attacking the pillars of Western civilisation: Our education system is now used to dismantle our culture, not to uphold it, and has moved from the Age of Reason to the Age of Deconstruction. We have thus abandoned the ideal of rationality and objectivity, which used to be the foundation of our culture.

Our religious heritage as well as the social basis of our society, the nuclear family, has been under constant attack. Our legal system, at least in Europe, is moving away from the ideal of laws passed with the consent of the people and with their best interest in mind into transnational legislation written by faceless technocrats, with no loyalty to any specific people. The EU Constitution betrays an almost sharia-like desire to control all aspects of our lives, instead of upholding law and order and otherwise staying out of the way.

And finally, we are in the middle of an age where focus is on "subgroups" within the nation state, not on individuals. The anti-Westerners have taken great care to break down our religion, our individualism, our rationalism and finally our connection with the past[7], to make sure we don't remember that we ever possessed any of these traits in the first place. Unfortunately, they have succeeded rather well so far. We are abandoning what once made us great, and are moving in the direction of Sharia Lite when it comes to free speech, equality before the law, and lack of rationalism.

What are we fighting for? We are fighting for freedom of thought and for freedom of speech, for the right to criticise not just our government, but all doctrines, political and religious. The fight against hate speech and hate crime legislation now constitutes a front line in the battle for liberty.

We are fighting for secular laws passed with the consent of the people, not sharia nor transnational legislation drafted by bureaucrats and technocrats unaccountable to the

people. We do not want to be held hostage by international NGOs, transnational progressives or self-appointed guardians of the truth. Likewise, we are fighting for national sovereignty. No nation regardless of political system can survive the loss of its territorial integrity, but democratic states especially so. We pay national taxes because our authorities are supposed to uphold our national borders. If they can't do so, the social contract is breached, and we should no longer be required to pay our taxes.

We are fighting for equality before the law. Hate crime legislation is weakening this, by treating people as members of a group, gay-straight, male-female, black-white etc, instead of as an individual, and also de facto results in unequal punishment for the same crime.

We are fighting for the right to view a nation as a cultural unit, not just a random space on a map. A country has the right to decide how much, if any, immigration it wants to accept. The idea of unlimited mass migration is 21st century Communism. Man is not just *homo economicus*, the economic man, the sum of his functions as labour and consumer, who can be supplanted from one region of the world to the next at will. Multiculturalism implicitly means that the native population have to suppress and erase their own cultural traditions and historical identity. People have the right to want to preserve their culture and pass it on to future generations.

Finally, I'd like to talk about one aspect of Western culture that tends to be downplayed, but is quite important: We are the only culture in the history of mankind to develop realistic, faithful depictions of beings and matter in our paintings and sculptures, rather than merely stylised depictions. We are also the only culture to invent a way to depict three-dimensional subjects in a two-dimensional format. A similar three-dimensional perspective was lacking in all other types of early art, be that Chinese or Japanese, East Indian, Mesoamerican, African or Middle Eastern. This could conceivably be because we have perceived space and spatial relationships in a different way than the rest of the world. What does that mean for our culture?

Egyptian art was dedicated to preserving the body for the afterlife. Artists drew from memory, according to strict rules. The ancient Egyptians were not Westerners, but they did contribute a lot to those who later became Westerners, the Greeks and the Romans.

In the brilliant book *The Story of Art*, writer E.H. Gombrich explains this. For an Egyptian artist, "once he had mastered all these rules he had finished his apprenticeship. No one wanted anything different, no one asked him to be 'original'. On the contrary, he was probably considered the best artist who could make his statues most like the admired monuments of the past. So it happened that in the course of three thousand years or more Egyptian art changed very little. Everything that was considered good and beautiful in the age of the pyramids was held to be just as excellent a thousand years later."

There was only one major exception to this, and that was the heretical Pharaoh Akhenaten in the 14th century BC. The art depicting him and his wife Nefertiti is quite naturalistic. It is unlike anything before in Egyptian history, and may have been inspired by that of the Minoan culture on the island of Crete, by many considered to be the first European civilisation. Some of this style is still discernible in objects found in the tomb of Tutankhaten, believed to be son of Akhenaten, who later changed his name to Tutankhamun as the old religion was reestablished.

Even though the artistic legacy of Akhenaten was quickly forgotten, his religious ideas may have proven far more durable. His insistence on worshipping one supreme god, Aten, makes him a pioneer in monotheism. It has been speculated, though disputed by many scholars, that Akhenaten's ideas may have inspired those of Moses, which led to the creation of Judaism and, by extension, Christianity.

What is less disputed is that the earliest alphabet, the ancestor of nearly every alphabet used around the globe, including, via Phoenician, the Greek and the Latin ones, was partly derived from Egyptian hieroglyphs representing syllables.

Greek artists studied and imitated Egyptian art, but experimented and decided to look for themselves instead of following any traditional, ready-made formula. As Gombrich says, "The Greeks began to use their eyes. Once this revolution had begun, there was no stopping it." It is surely no coincidence that this Great Awakening of art to freedom took place in the hundred years between, roughly, 520 and 420 BC, in Greek city-states such as Athens where philosopher Socrates challenged our ideas about the world:

"It was here, above all, that the greatest and most astonishing revolution in the whole history of art bore fruit. (...) The great revolution of Greek art, the discovery of natural forms and of foreshortening, happened at the time which is altogether the most amazing period of human history." This art was later spread far beyond the borders of Greece, when Alexander the Great created his empire and brought Hellenistic art to Asia:

"Even in far-distant India, the Roman way of telling a story, and of glorifying a hero, was adopted by artists who set themselves the task of illustrating the story of a peaceful conquest, the story of the Buddha. The art of sculpture had flourished in India long before the Hellenistic influence reached the country; but it was in the frontier region of Gandhara that the figure of Buddha was first shown in the reliefs which became the model for later Buddhist art. (...) Greek and Roman art, which had taught men to visualise gods and heroes in beautiful form, also helped the Indians to create an image of their saviour. The beautiful head of the Buddha, with its expression of deep repose, was also made in this frontier region of Gandhara."

Buddhism spread from India to the rest of Asia, and brought with it these influences from Western art. This is highly significant if we remember that the invention of block printing during the Tang dynasty in China was intimately linked to Buddhist monasteries and Buddhist art. Alexander the Great may also have brought with him inked seals to India during his invasion, and Indian merchants later introduced them to the Chinese. Stamped figures of the Buddha marked the transition from seal impression to woodcut in China.

The oldest surviving printed texts from East Asia are Buddhist scriptures. Printing was thus used to promulgate a specific religion, just like Gutenberg's printing press in Europe was later used to print Bibles. The Islamic Middle East, however, for centuries rejected both the Eastern and the Western printing traditions due to religious intolerance and hostility towards pictorial arts. And they suffered all the more for it.

Source:

<http://gatesofvienna.blogspot.com/2007/05/what-do-we-fight-for.html>

1. <http://gatesofvienna.blogspot.com/2006/10/caucasophobia-accepted-racism.html>
2. <http://gatesofvienna.blogspot.com/2007/01/rise-of-glossocracy.html>
3. <http://gatesofvienna.blogspot.com/2006/10/recommendations-for-west.html>
4. <http://www.weeklystandard.com/Content/Public/Articles/000/000/012/736fyrpi.asp>
5. <http://www.childrenofmillennium.org/heroes/downfall.htm>
6. <http://www.brusselsjournal.com/node/1282>
7. <http://www.jihadwatch.org/dhimmiwatch/archives/015899.php>

2.92 Who Are We, Who Are Our Enemies - The Cost of Historical Amnesia

By Fjordman:

The Jihad, the Islamic so-called Holy War, has been a fact of life in Europe, Asia, Africa and the Near and Middle East for more than 1300 years, but this is the first history of the Muslim wars in Europe ever to be published. Hundreds of books, however, have appeared on its Christian counterpart, the Crusades, to which the Jihad is often compared, although they lasted less than two hundred years and unlike the Jihad, which is universal, were largely but not completely confined to the Holy Land. Moreover, the Crusades have been over for more than 700 years, while a Jihad is still going on in the world. The Jihad has been the most unrecorded and disregarded major event of history. It has, in fact, been largely ignored. For instance, the Encyclopaedia Britannica gives the Crusades eighty times more space than the Jihad."

The quote is from Paul Fregosi's book *Jihad in the West*[1] from 1998. Mr. Fregosi found that his book about the history of Islamic Holy War in Europe from the 7th to the 20th centuries was difficult to get published in the mid-1990s, when publishers had the Salman Rushdie case in fresh memory.

A few years later, an even more comprehensive book, *The Legacy of Jihad*, was published by Andrew G. Bostom. Bostom has written about what he calls "America's First War on Terror[2]."

Thomas Jefferson and John Adams, then serving as American ambassadors to France and Britain, respectively, met in 1786 in London with the Tripolitan Ambassador to Britain, Sidi Haji Abdul Rahman Adja. These future American presidents were attempting to negotiate a peace treaty which would spare the United States the ravages of Jihad piracy – murder and enslavement emanating from the so-called Barbary States of North Africa, corresponding to modern Morocco, Algeria, Tunisia, and Libya.

Andrew Bostom notes that "an aggressive *jihad* was already being waged against the United States almost 200 years prior to America becoming a dominant international power in the Middle East." Israel has thus nothing to do with it.

The Barbary Jihad piracy had been going on since the earliest Arab-Islamic expansion in the 7th and 8th centuries. Francisco Gabrieli states that:

"According to present-day concepts of international relations, such activities amounted to piracy, but they correspond perfectly to jihad, an Islamic religious duty. The conquest of Crete, in the east, and a good portion of the corsair warfare along the Provençal and Italian coasts, in the West, are among the most conspicuous instances of such "private initiative" which contributed to Arab domination in the Mediterranean."

A proto-typical Muslim naval razzia occurred in 846 when a fleet of Arab Jihadists arrived at the mouth of the Tiber, made their way to Rome, sacked the city, and carried away from the basilica of St. Peter all of the gold and silver it contained.

During the 16th and 17th centuries, as many Europeans were captured, sold, and enslaved by the Barbary corsairs as were West Africans made captive and shipped for plantation labour in the Americas by European slave traders. Robert Davis' methodical enumeration indicates that between one, and one and one-quarter million white European Christians were enslaved by the Barbary Muslims from 1530 through 1780.

White Gold, Giles Milton's remarkable account of Cornish cabin boy Thomas Pellow, captured by Barbary corsairs in 1716, documents how Jihad razzias had extended to England:

[p. 13, "By the end of the dreadful summer of 1625, the mayor of Plymouth reckoned that 1,000 skiffs had been destroyed, and a similar number of villagers carried off into slavery"], Wales, southern Ireland [p.16, "In 1631...200 Islamic soldiers...sailed to the village of Baltimore, storming ashore with swords drawn and catching the villagers totally by surprise. (They) carried off 237 men, women, and children and took them to Algiers...The French padre Pierre Dan was in the city (Algiers) at the time...He witnessed the sale of the captives in the slave auction. 'It was a pitiful sight to see them exposed in the market...Women were separated from their husbands and the children from their fathers...on one side a husband was sold; on the other his wife; and her daughter was torn from her arms without the hope that they'd ever see each other again'."], and even Reykjavik, Iceland!

Boston notes that "By June/July 1815 the ably commanded U.S. naval forces had dealt their Barbary jihadist adversaries a quick series of crushing defeats. This success ignited the imagination of the Old World powers to rise up against the Barbary pirates."

Yet some Arabs seem to miss the good, old days when they could extract Jizya payments from the West. Libyan leader Muammar Gaddafi has stated that he thinks that European nations should pay 10 billion euros (\$12.7 billion dollars) a year to Africa to help it stop migrants seeking a better life flooding northwards into Europe. He added without elaborating: "Earth belongs to everybody. Why they (young Africans) emigrated to Europe -- this should be answered by Europeans."

Apart from being a clear-cut example of how migration, or rather population dumping by Third World countries, has become a tool for blackmail in the 21st century, this is a throwback to the age when Tripoli could extract payments from Europe.

Sadly, Americans seem to have forgotten the lessons from this proud chapter in their history, when they refused to pay ransom to Muslims like the Europeans did and instead sent warships to the Mediterranean under the slogan "Millions for defence, not one penny for tribute!" Since WW2, we've had three major conflicts in the Balkans: In Cyprus, in Bosnia and in Kosovo. On all three occasions, the United States have interfered on behalf of Muslims. Yet despite this fact, two of the 9/11 hijackers[3] said that their actions were inspired by an urge to avenge the suffering of Muslims in Bosnia.

As Efraim Karsh, author of the book *Islamic Imperialism: A History* points out, America is[4] reviled in the Muslim world not because of its specific policies "but because, as the pre-eminent world power, it blocks the final realisation of this same age-old dream of a universal Islamic empire (or umma)."

According to Hugh Fitzgerald[5], "One must keep in mind both the way in which some atrocities ascribed to Serbs were exaggerated, while the atrocities inflicted on them were minimised or ignored altogether. But what was most disturbing was that there was no context to anything: nothing about the centuries of Muslim rule.

Had such a history been discussed early on, Western governments might have understood and attempted to assuage the deep fears evoked by the Bosnian Muslim leader, Izetbegovic, when he wrote that he intended to create a Muslim state in Bosnia and impose the Sharia not merely there, but everywhere that Muslims had once ruled in the Balkans. Had the Western world shown the slightest intelligent sympathy or understanding of what that set off in the imagination of many Serbs (and elsewhere, among the Christians in the Balkans and in Greece), there might never have been such a

violent Serbian reaction, and someone like [Slobodan] Milosevic might never have obtained power."

In 1809, after the battle on Cegar Hill, by order of Turkish pasha Hurshid the skulls of the killed Serbian soldiers were built in a tower, Skull Tower, on the way to Constantinople. 3 metres high, Skull Tower was built out of 952 skulls as a warning to the Serbian people not to oppose their Muslim rulers. Some years later, a chapel was built over the skulls.

Similar Jihad massacres were committed not only against the Serbs, but against the Greeks, the Bulgarians and other non-Muslims who slowly rebelled against the Ottoman Empire throughout the 19th century. Professor Vahakn Dadrian[6] and others have clearly identified Jihad as a critical factor in the Armenian genocide in the early 20th century. This genocide by the Turks allegedly inspired Adolf Hitler in his Holocaust against the Jews later: "Who, after all, speaks today of the annihilation of the Armenians?"

As Efraim Karsh[7] notes, "The Ottomans embarked on an orgy of bloodletting in response to the nationalist aspirations of their European subjects. The Greek war of independence of the 1820's, the Danubian uprisings of 1848 and the attendant Crimean war, the Balkan explosion of the 1870's, the Greco-Ottoman war of 1897--all were painful reminders of the costs of resisting Islamic imperial rule."

In his book *Onward Muslim Soldiers*, Robert Spencer quotes a letter from Bosnia, written in 1860 by the acting British Consul in Sarajevo, James Zohrab[8]:

"The hatred of the Christians toward the Bosniak Mussulmans is intense. During a period of nearly 300 years they were subjected to much oppression and cruelty. For them no other law but the caprice of their masters existed....Oppression cannot now be carried on as openly as formerly, but it must not be supposed that, because the Government employés do not generally appear as the oppressors, the Christians are well treated and protected."

Bosnia's wartime president Alija Izetbegovic died in 2003, hailed worldwide as a moderate Muslim leader. Little was said in Western media[9] about the fact that in his 1970 Islamic Declaration, which got him jailed by the Communists in Yugoslavia, he advocated "a struggle for creating a great Islamic federation from Morocco to Indonesia, from the tropical Africa to the Central Asia. The Islamic movement should and must start taking over the power as soon as it is morally and numerically strong enough to not only overthrow the existing non-Islamic, but also to build up a new Islamic authority."

Alija Izetbegovic also received money from a Saudi businessman, Yassin al-Kadi, who has been designated by the United States, the United Nations, and the European Union as a financier of al-Qaeda terrorists. Evan F. Kohlmann[10], author of *Al-Qaeda's Jihad in Europe: The Afghan-Bosnian Network*, argues that the "key to understanding Al Qaida's European cells lies in the Bosnian war of the 1990s." In 1992, the Bosnian Muslim government of Alija Izetbegovic issued a passport in the Vienna embassy to Osama bin Laden. The Wall Street Journal reported in 2001 that "for the past 10 years, the most senior leaders of al Qaeda have visited the Balkans, including bin Laden himself on three occasions between 1994 and 1996. The Egyptian surgeon turned terrorist leader Ayman Al-Zawahiri has operated terrorist training camps, weapons of mass destruction factories and money-laundering and drug-trading networks throughout Albania, Kosovo, Macedonia, Bulgaria, Turkey and Bosnia."

Samuel Huntington mentioned already in 1993 in his famous article "The Clash of Civilisations" in the journal *Foreign Affairs* that both the Shi'a Muslims of Iran and the Sunni Muslims of Saudi Arabia supplied substantial funding, weapons and men to the Bosnians. Thousands of foreign fighters or 'Mujahadeen' from Islamic countries came to

Bosnia to fight on the side of local Muslims in the bloody 1992-1995 civil war. Many of these Mujahadeen remained in Bosnia after the war, and some have been operating terrorist training camps and indoctrinating local youths.

Terrorists have been working, not just in Bosnia but in Albania and all over the Balkans, to recruit non-Arab sympathisers — so-called "white Muslims"[11] with Western features who theoretically could more easily blend into European cities and execute attacks.

Saudi Arabia is said to have invested more than \$1 billion in the Sarajevo region[12] alone, for projects that include the construction of 158 mosques. The Islamic world is thus using the Balkans as a launching pad for Jihad against the rest of Europe and the West. "There are religious centres in Bulgaria[13] that belong to Islamic groups financed mostly by Saudi Arabian groups," the head of Bulgarian military intelligence warned. According to him, the centres were in southern and southeastern Bulgaria, where the country's Muslims, mainly of Turkish origin, are concentrated, and "had links with similar organisations in Kosovo, Bosnia and Macedonia. For them Bulgaria seems to be a transit point to Western Europe." He said the steps were taken to prevent terrorist groups gaining a foothold in Bulgaria, which shares a border with Turkey. Bulgaria's Turkish minority accounts for 10 percent of the country's population.

The Former Yugoslav Republic of Macedonia passed a law allowing ethnic Albanians to display the Albanian national flag[14] in areas where they form the majority. The decision came as a result of seven months of heavy fighting in 2001 involving Albanian separatists, and following pressure from the European Union[15], always ready to please Muslims.

Ethnic Albanians make up about 25 per cent of Macedonia's population. If the demographic trends are anything like in Kosovo, where the predominantly Muslim Albanians have been out-breeding their non-Muslim neighbours, the Macedonians could be facing serious trouble in the near future. In Kosovo, dozens of churches and monasteries[16] have been destroyed or seriously damaged following ethnic cleansing of Christian Serbs, all under the auspices of NATO soldiers.

In a commentary, "We bombed the wrong side?" former Canadian UNPROFOR Commander Lewis MacKenzie wrote, "The Kosovo-Albanians have played us like a Stradivarius. We have subsidised and indirectly supported their violent campaign for an ethnically pure and independent Kosovo. We have never blamed them for being the perpetrators of the violence in the early '90s and we continue to portray them as the designated victim today in spite of evidence to the contrary. When they achieve independence with the help of our tax dollars combined with those of bin Laden and al-Qaeda, just consider the message of encouragement this sends to other terrorist-supported independence movements around the world."

Martti Ahtisaari[17], former President of Finland and now Chief United Nations negotiator for Kosovo, caused anger in Serbia when he stated that "Serbs are guilty as people," implying that they would have to pay for it, possibly by losing the province of Kosovo which is seeking independence.

I disagree with Mr. Ahtisaari. It is one thing to criticise the brutality of the Milosevic regime. It is quite another thing to claim that "Serbs are guilty as a people." If anybody in the Balkans can be called guilty as a people, it is the Turks, not the Serbs. The Turks have left a trail of blood across much of Europe and the Mediterranean for centuries, culminating in the Armenian genocide in the 20th century, which Turkey still refuses to acknowledge, let alone apologise for.

Dimitar Angelov[18] elucidates the impact of the Ottoman Jihad on the vanquished Balkan populations:

"...the conquest of the Balkan Peninsula accomplished by the Turks over the course of about two centuries caused the incalculable ruin of material goods, countless massacres, the enslavement and exile of a great part of the population – in a word, a general and protracted decline of productivity, as was the case with Asia Minor after it was occupied by the same invaders. This decline in productivity is all the more striking when one recalls that in the mid-fourteenth century, as the Ottomans were gaining a foothold on the peninsula, the States that existed there – Byzantium, Bulgaria and Serbia – had already reached a rather high level of economic and cultural development....The campaigns of Mourad II (1421-1451) and especially those of his successor, Mahomet II (1451-1481) in Serbia, Bosnia, Albania and in the Byzantine principedom of the Peloponnesus, were of a particularly devastating character."

This Ottoman Jihad tradition is still continued by "secular" Turkey to this day. Michael J. Totten visited Varosha, the Ghost City of Cyprus[19], in 2005. The city was deserted during the Turkish invasion of Cyprus in 1974 and is now fenced off and patrolled by the Turkish occupiers. The Turks carved up the island. Greek Cypriot citizens in Varosha expected to return to their homes within days. Instead, the Turks seized the empty city and wrapped it in fencing and wire.

In March 2006, Italian Luigi Geninazzi[20] made a report from the same area. 180,000 persons live in the northern part of the island, 100,000 of whom are colonists originally from mainland Turkey.

According to Geninazzi, the Islamisation of the north of Cyprus has been concretised in the destruction of all that was Christian. Yannis Eliades, director of the Byzantine Museum of Nicosia, calculates that 25,000 icons have disappeared from the churches in the zone occupied by the Turks. Stupendous Byzantine and Romanesque churches, imposing monasteries, mosaics and frescoes have been sacked, violated, and destroyed. Many have been turned into restaurants, bars, and nightclubs.

Geninazzi confronted Huseyn Ozel, a government spokesman for the self-proclaimed Turkish Republic of Northern Cyprus, with this. Most of the mosques in Greek Cypriot territory have been restored. So why are churches still today being turned into mosques? The Turkish Cypriot functionary spreads his arms wide: "It is an Ottoman custom..."

A person from Finland, one of the northernmost countries in Europe which has had very little direct experience with Jihad, can perhaps be excused for understanding so little of it. But people from Russia, a country which was once under the Tartar Yoke, should know better. So why are the Russians[21] helping The Islamic Republic of Iran with missile[22] and nuclear technology that will eventually be used to intimidate the West? Are the Russians so naive that they believe this beast won't eventually come back to bite them, too? Iran is secretly training Chechen rebels in sophisticated terror techniques to enable them to carry out more effective attacks against Russian[23] forces, the Sunday Telegraph has revealed.

Islam was controlled in the Soviet Union but has had a renaissance since its downfall in 1991, helped by funds from the Middle East. This re-Islamisation of Central Asia should really worry the Russians. They are spending hundreds of millions of dollars on a border security[24] project in the region, partly to avoid being demographically overwhelmed by Muslims. But the problem exists within Russia itself, too.

Russia's non-Muslim population is declining, but numbers are rising in Muslim regions. Will the country called Russia still exist in the future? And if so, will it be the Russia of Pushkin or of Abdullah? It is understandable that the Russians have Great Power

ambitions of their own. However, one would hope that they will wake up, remember their history and realise that there are worse threats out there than American power.

Paul Fregosi has pointed out that "Western colonisation of nearby Muslim lands lasted 130 years, from the 1830s to the 1960s. Muslim colonisation of nearby European lands lasted 1300 years, from the 600s to the mid-1960s. Yet, strangely, it is the Muslims, the Arabs and the Moors to be precise, who are the most bitter about colonialism and the humiliations to which they have been subjected; and it is the Europeans who harbor the shame and the guilt. It should be the other way around."

Janos (John) Hunyadi, Hungarian warrior and captain-general, is today virtually unknown outside Hungary, but he probably did more than any other individual in stemming the Turkish invasion in the fifteenth century. His actions spanned all the countries of the Balkans, leading international armies, negotiating with kings and popes. Hunyadi died of plague after having destroyed an Ottoman fleet outside Belgrade in 1456. His work slowed the Muslim advance, and may thus have saved Western Europe from falling to Islam. By extension, he may have helped save Western civilisation in North America and Australia, too. Yet hardly anybody in West knows who he is. Our children don't learn his name, they are only taught about the evils of Western colonialism and the dangers of Islamophobia.

Western Europe today is a strange and very dangerous mix of arrogance and self-loathing. Muslims are creating havoc and attacking their non-Muslim neighbours from Thailand to India. It is extremely arrogant to believe that the result will be any different in the Netherlands, Britain or Italy, or for that matter in the United States or Canada, than it has been everywhere else. It won't. If we had the humility to listen to the advice of the Hindus of India or even our Christian cousins in south-eastern Europe, we wouldn't be in as much trouble as we are now.

On the other hand, if we didn't have such a culture of self-loathing, where our own cultural traditions are ridiculed in favor of a meaningless Multicultural cocktail, we probably wouldn't have allowed massive Muslim immigration, either. There doesn't have to be a contradiction between being proud of your own cultural heritage and knowing that there may still be lessons you can learn from others. A wise man can do both. Westerners of our age do neither. Sun Tzu[25], a contemporary of the great Chinese thinker Confucius, wrote The Art of War, the influential book on military strategy, 2500 years ago. It is a book that deserves to be read in full, but perhaps the most famous quotation from it is this one:

"So it is said that if you know your enemies and know yourself, you will not be imperiled in a hundred battles; if you do not know your enemies but do know yourself, you will win one and lose one; if you do not know your enemies nor yourself, you will be imperiled in every single battle."

The West has forgotten who our enemies are, but worse, we have also forgotten who we are. We are going to pay a heavy price for this historical amnesia.

Source:

<http://www.jihadwatch.org/dhimmiwatch/archives/013369.php>

1. <http://www.amazon.com/Jihad-West-Muslim-Conquests-Centuries-dp/1573922471/>
2. <http://www.frontpagemag.com/Articles/ReadArticle.asp?ID=22314>
3. <http://littlegreenfootballs.com/weblog/?entry=22476&only>
4. <http://www.frontpagemag.com/Articles/ReadArticle.asp?ID=22333>
5. <http://www.jihadwatch.org/archives/011437.php>
6. <http://www.jihadwatch.org/dhimmiwatch/archives/005865.php>
7. <http://www.opinionjournal.com/federation/feature/?id=110008181>

8. <http://www.jihadwatch.org/dhimmiwatch/archives/006114.php>
9. <http://www.jihadwatch.org/archives/013044.php>
10. <http://www.jihadwatch.org/archives/007042.php>
11. <http://www.jihadwatch.org/archives/011083.php>
12. <http://www.spiegel.de/international/spiegel/0,1518,383962,00.html>
13. <http://www.jihadwatch.org/archives/000625.php>
14. <http://fjordman.blogspot.com/2005/07/turkish-and-albanian-flags-to-be.html>
15. <http://euobserver.com/9/22338>
16. <http://fjordman.blogspot.com/2005/09/last-orthodox-church-in-kosovo-might.html>
17. http://www.adnki.com/index_2Level_English.php?cat=Politics&loid=8.0.334408002&par=0
18. http://www.andrewbostom.org/index.php?option=com_content&task=view&id=78&Itemid=27
19. http://littlegreenfootballs.com/weblog/?entry=18088_The_Ghost_City_of_Cyprus
20. <http://www.jihadwatch.org/dhimmiwatch/archives/010542.php>
21. <http://www.jihadwatch.org/archives/008230.php>
22. <http://43.317.5.383subf85:OxoJllw754896853415ИШ>
23. <http://www.telegraph.co.uk/news/main.jhtml?xml=/news/2005/10/16/wiran16.xml&sSheet=/portal/2005/10/16/ixportaltop.html>
24. <http://53.485.-2.260plusf67:OVpktrj2111587694384M>
25. <http://www.telegraph.co.uk/news/main.jhtml;jsessionid=NM0GT50CSRAIHQFIQMFCFFWAVCBQYIV0?xml=/news/2005/11/27/wch27.xml&sSheet=/news/2005/11/27/ixworld.html>
26. <http://www.jihadwatch.org/dhimmiwatch/archives/007225.php>
27. http://en.wikipedia.org/wiki/Sun_Tzu

2.93 A European Declaration of Independence

By Fjordman

After the death a while ago of *Rinie Mulder*[1], a 54-year old indigenous Dutchman who was shot by a police officer, non-immigrant citizens went on a rampage in Utrecht. Apparently Mulder intervened when Muslim youths harassed a pregnant native Dutch woman. Locals claim the police have failed to protect them for years. They say the authorities are afraid of the immigrants and tolerate their criminal behaviour.

This issue is not just about Utrecht or Holland. Similar resentment against Muslim immigrants, but at least as much against their own authorities, is quietly brewing among the natives all over Western Europe.

It is insulting that two thirds of the Dutch, one of the founding members of the European community, voted against the proposed EU Constitution, and yet EU leaders will apparently just ignore this and force their massively undemocratic Constitution down people's throats anyway. The German Presidency wants EU leaders to agree on a text for a new treaty by February 2008. *The label 'Constitution' is to be dropped*[2], in order to avoid further referendums.

European Commission president *Jose Manuel Barroso expressed unease*[3] with the prospect of a second Dutch constitution referendum. "Referendums make the process of approval of European treaties much more complicated and less predictable," he said "If a referendum had been held on the creation of the European Community or the introduction of the Euro, do you think these would have passed?"

Although the EU warns against "*Islamophobia*"[4], those who live in the real world know that there has been an explosion of violent infidelophobia in Western Europe staged by Muslim immigrants. This wave of violence *especially targets Jews*[5], but *the attacks against Christians*[6] that are going on in the Middle East are increasingly *spreading to Europe as well*[7]. In more and more cities across the continent, non-Muslims are being harassed, robbed, mugged, raped, stabbed and even killed by Muslims. Native Europeans are slowly becoming second-rate citizens in their own countries.

This violence by Muslims is usually labelled simply as "crime," but I believe it should more accurately be called Jihad. Those who know early Islamic history, as described in books such as *The Truth About Muhammad*[8] by Robert Spencer, know that *looting and stealing the property of non-Muslims*[9] has been part and parcel of Jihad from the very beginning. In fact, so much of the *behaviour of Muhammad himself and the early Muslims could be deemed criminal*[10] that it is difficult to know exactly where crime ends and Jihad begins. In the city of Oslo, for instance, it is documented that some of the criminal Muslim gangs also have close ties to radical religious groups (33) at home and abroad. As *Dutch Arabist Hans Jansen points out*[11], the Koran is seen by some Muslims as a God-given "hunting licence," granting them the right to assault and even murder non-Muslims. It is hardly accidental that while Muslims make up about 10% of the population in France, *they make up an estimated 70% of French prison inmates*[12].

In the city of Antwerp, Belgium, *Marij Uijt den Bogaard*[13] from 2003 to 2006 worked as a civil servant in the immigrant borough of Berchem. She noted how radical Islamist groups began to take over the immigrant neighbourhoods, but was fired when she warned against this danger in her reports to the authorities:

"Many victims of burglaries in houses and cars, of steaming and other forms of violence, can testify that aggression by Muslims is not directed against brothers and sisters, but

against whoever is a kafir, a non-believer. Young Muslims justify their behaviour towards women who do not wear the headscarf, whether Muslim or non-Muslim, by referring to the Salafist teaching which says that these women are whores and should be treated as such. They told me this. I wrote it down in my reports, but the authorities refuse to hear it."

Filmmaker *Pierre Rehov tells how*[14] a friend of his is a retired chief of police who used to be in charge of the security of a major city in the south of France. According to him, 80% of the rapes in the area were made by Muslim young men. In most cases, the parents would not understand why they would be arrested. The only evil those parents would see, genuinely, was the temptation that the male children had to face from infidel women.

The wave of robberies the increasingly Muslim-dominated city of Malmö is witnessing is part of a "war against Swedes," this according to statements from the immigrant youths themselves. "When we are in the city and robbing, we are waging a war, waging a war against the Swedes." This argument was repeated several times. "Power for me means that Swedes shall look at me, lie down on the ground and kiss my feet."

Jonathan Friedman, an American living in Sweden, mentions that the so-called *Integration Act of 1997 proclaimed that "Sweden is a Multicultural society*[15]." The Act implicitly states that Sweden doesn't have a history, only the various ethnic groups that live there. Native Swedes have been reduced to just another ethnic group in Sweden, with no more claim to the country than the Somalis who arrived there last Thursday. As Friedman puts it: "In Sweden, it's almost as if the state has sided with the immigrants against the Swedish working class."

Pierre Schori, Minister for immigration, during a parliamentary debate in 1997 said that: "Racism and xenophobia should be banned and chased [away]," and that one should not accept "excuses, such as that there were flaws in the immigration and refugee policies." In other words: It should be viewed as a crime for the indigenous population not to assist in wiping themselves out. The state is turned into an enemy of the very population it is supposed to protect. Swedes pay some of the highest tax rates in the world, and for this they get runaway crime rates and a government that is actively hostile to their interests.

Exit the People's Home of Sweden is a book from 2005 about immigration and the Swedish welfare state model. According to the authors, the Multicultural elites see themselves first of all as citizens of the world. In order to emphasise and accentuate diversity, everything that smacks of "native culture" is deliberately disparaged. Opposition to this policy is considered a form of racism:

"The dominant ideology in Sweden, which has been made dominant by powerful methods of silencing and repression, is a totalitarian ideology, where the elites oppose the national aspect of the nation state."

Researchers Gert Tinggaard Svendsen og Gunnar Lind Haase Svendsen have written the book *Social Kapital* [16]. When general levels of trust were measured in 86 countries, the Nordic nations Denmark, Norway, Sweden and Finland came out on top. According to the authors, the trust between citizens and the trust between citizens and the state is very high in these countries, and this "social capital" is highly profitable and accounts for up to a quarter of these countries' wealth.

However, they also warn that such trust is vulnerable. A society can lose its social capital and trust rather quickly, but it can take centuries to rebuild it. This social capital is now being squandered a matter of official state policy all over Western Europe, accompanied by wild cheers from the media and the intelligentsia.

Although such high levels of trust are in many ways attractive and desirable, they also contain some potential pitfalls. People's trusting nature may make them easy targets for

outsiders from more cynical cultures, who view them as gullible fools. However, it also makes them vulnerable to threats from within.

In the 1990s, Swedish authorities decided that native Swedes and their culture had no more claim to the country than Kurds. At the same time, the country became a member of the EU. Mass immigration to Sweden started years before EU membership and wasn't caused by this, but the EU certainly didn't help. Now suddenly, as with other EU members, Swedes have most of their laws passed by unelected EU bureaucrats rather than their own elected national representatives.

Swedes were used to that laws were passed with their consent and with their best interests in mind, because by and large they had been. Within a few years, all of this has changed. Laws are now passed by EU bureaucrats who don't give a damn about their interests, and by elites who don't care about their own people, in fact view them as potential stumbling blocks for the new Multicultural society. Yet most Europeans still follow these laws. Why? I can see at least two reasons.

Germany's ex-president *Roman Herzog pointed out*[17] that between 1999 and 2004, 84 percent of the legal acts in Germany stemmed from Brussels, and warned that "EU policies suffer to an alarming degree from a lack of democracy and a de facto suspension of the separation of powers. The question has to be raised of whether Germany can still unreservedly be called a parliamentary democracy."

Why is this pan-European EU dictatorship still functioning? Because seeing is believing. Most Europeans still don't know that *EU leaders are using their money without their consent to merge Europe with the Arab world*[18] because their media don't tell them this. Due to the common Euro currency and the lack of national borders they can move around most of Europe at ease, which seems convenient. They don't physically see, however, that the EU has also usurped the power of their national parliaments. The latter appear to be working just as always, but have now been reduced to implementing the policies of unelected Eurocrats.

The second reason is because ordinary European citizens are held hostage by their own law-abiding nature. Abiding by rules and regulations used to serve them well in the past, but things have changed. Even the laws that are in their interest are no longer upheld. Their nations have vacated their national borders and the ensuing uncontrolled mass immigration is creating rampant urban insecurity.

For Dutchmen, in what once was a peaceful and orderly country, to go against decades of indoctrination to stage something like the recent uprisings in Utrecht, they have to feel an extreme amount of repressed frustration and anger. Perhaps they watched the media reactions to the Muslim riots in France, which were sympathetic and were followed by promises from political leaders to listen to the "legitimate grievances" of the rioters. Perhaps the native Dutch in Utrecht thought that hey, we are quiet and peaceful and yet we get only contempt from our so-called leaders. Muslims burn stuff and get concessions. Perhaps we should start burning stuff, too. What have we got to lose? We're already losing our country.

The excellent *Chinese blogger Ohmyrus*[19] has warned against precisely this:

"While it took a long time for Europeans to learn to settle their differences peacefully through the ballot box, this important lesson is slowly being unlearned. The lesson learned from the Danish cartoon affair is that violence pays. Most Western governments caved in by issuing apologies or condemning the cartoons instead of defending free speech. Soon groups that oppose immigration will turn to violence too. If European democracies cannot manage their ethnic tensions, democracy will break down, ushering in dictatorial rule."

In a British poll from January 2007[20], a massive 82% disagreed (57% strongly) as to whether the government was in control of immigration. When asked if the government was "open and honest" about the scale of immigration into Britain, 80% disagreed. Sir Andrew Green, chairman of Migrationwatch, said: "After a decade of efforts to stifle debate, there is now a fundamental lack of trust between the Government and the public on this issue." The numbers also "reflect a deep underlying resentment among the public that they have not had any opportunity to express their views – still less to be consulted - on a matter of major importance to them and to the future of our country."

According to *Theodore Dalrymple*[21], "For the last 40 years, government policy in Britain, de facto if not always de jure, has been to render the British population virtually defenceless against criminals and criminality. Almost alone of British government policies, this one has been supremely effective: no Briton nowadays goes many hours without wondering how to avoid being victimised by a criminal intent on theft, burglary, or violence."

He fears that "the failure of the state to protect the lives and property of its citizens, and to take seriously its duty in this regard, creates a politically dangerous situation, for it puts the very legitimacy of the state itself at risk. The potential consequences are incalculable, for the failure might bring the rule of law itself into disrepute and give an opportunity to the brutal and the authoritarian."

In Norway, local politician *Bengt Michalsen had a tape*[22] from a surveillance camera clearly identifying two youths as doing damage to a van at a car park. He delivered the tape to the police, and months later received a note that the case had been dismissed because the police didn't have the capacity to prosecute it. According to the local police chief, the public "just had to get used to" the fact the police wouldn't spend time on petty crime.

So, that means that Scandinavians will have to protect our own property, right? Not exactly. The authorities just want us to take it lying down and do nothing.

In Denmark, at least one of three would-be robbers shot by a watchmaker *plans to file for compensation*[23] over wrongful injury, loss of work time and loss of the ability to work. The three threatened the watchmaker by putting a fake pistol up to his chin, but he had a real pistol behind his counter and managed to fire it. He was charged with unlawful possession of a firearm and taken into police custody. Attorney Svend Raether said that it is possible for the thief to receive compensation, despite having been injured while committing a crime.

Citizens in Western European countries pay high taxes to a state that is totally incapable of protecting our most basic rights, and is frequently unwilling even to try. With hate speech laws we are deprived of the right to protest against being swamped by immigration that will eventually render us minorities in our own countries. The law is used to punish the law-abiding while the criminals rule the streets.

If the authorities refuse to uphold the laws designed to protect us and keep passing new laws that threaten the freedom of our children and the survival of our nations, we will sooner or later have to decide when civil disobedience becomes not just a right, but a duty. And I fear what will happen once we reach that point, which may not be too far off. Judging from the recent uprisings in Utrecht, this process has already begun.

Vladimir Bukovksy, a former Soviet dissident, fears that the *European Union is on its way to becoming another Soviet Union*[24]:

"The sooner we finish with the EU the better. The sooner it collapses the less damage it will have done to us and to other countries. But we have to be quick because the Eurocrats are moving very fast. It will be difficult to defeat them. Today it is still simple. If one million people march on Brussels today these guys will run away to the Bahamas. If tomorrow half of the British population refuses to pay its taxes, nothing will happen and no-one will go to jail. Today you can still do that."

Mr. Bukovsky is right. Europeans should launch tax rebellions and stage street demonstrations in every major European city until Muslim immigration is ended. We should stage a Million Man March to Brussels, for instance on September 11th this year, to demand that the pan-European dictatorship called the European Union is dismantled. We need to get angry and squeeze our so-called leaders into doing this, since they obviously understand nothing else.

Here is what Thomas Jefferson wrote in the *American Declaration of Independence*[25] from 1776:

"That whenever any Form of Government becomes destructive of these ends, it is the Right of the People to alter or to abolish it, and to institute new Government, laying its foundation on such principles and organising its powers in such form, as to them shall seem most likely to effect their Safety and Happiness. [...] It is their right, it is their duty, to throw off such Government, and to provide new Guards for their future security."

Europeans are currently subject to worse insults from our governments than the Americans were at that time, being persecuted in our own cities and subject to a government-supported program of gradual cultural eradication. We need a European Declaration of Independence, calling for our emancipation from the bureaucratic feudalism of Brussels and the totalitarian ideology of multiculturalism. Allow me to write the first draft:

A European Declaration of Independence

We, the citizens of the United Kingdom, The Netherlands, Spain, Italy, Germany, Sweden, Denmark, Ireland, Hungary, (fill in the blanks) demand that the following steps are taken immediately:

We demand that our national governments should immediately and without delay pull their countries out of the European Union, which should be dismantled entirely. European citizens pay up to half of their salaries in direct or indirect taxes to their nation states. If these nations do not control their own borders nor their policies, and they don't as long as the EU exists, those taxes are a scam. National taxes require national borders. If our national borders are not enforced, we have no obligation whatsoever to pay national taxes.

We demand that all documents regarding the Euro-Arab Dialogue and the creation of the Eurabian networks for "Euro-Mediterranean cooperation" between European countries and Arab countries since the 1970s, as documented by Bat Ye'or's work on Eurabia, are published and explained in their full significance to the general public. Those chiefly responsible for this - one of the greatest betrayals in the history of Western civilisation - should stand trial, followed by a period of general de-Eurabification of our laws and regulations.

We demand that all financial support to the Palestinian Authority should cease immediately. It is proven beyond any doubt that this has in the past been used to finance campaigns of Jihad terrorism against Jews in Israel and against Christians in territories under PA control. A public statement in support of Israel against Muslim aggression should be issued, and the money that has previously been awarded to Palestinians should be allocated partly to

Israel's defence, partly to establish a Global Infidel Defence Fund with the stated goal of disseminating information about Muslim persecution of non-Muslims worldwide.

We demand that the ideology of multiculturalism should immediately be removed from all government policies and school curricula, and that the state should adopt a policy of supporting the continuation of the cultural heritage and traditions of the indigenous populations. Multiculturalism has never been about tolerance. It is an anti-Western hate ideology championed as an instrument for unilaterally dismantling European culture. As such, it is an evil ideology bent on an entire culture's eradication, and we, the peoples of Europe, have not just a right, but a duty to resist it and an obligation to pass on our heritage to future generations.

We demand that all Muslim immigration in whatever form should be immediately and completely halted, and that our authorities take a long break from mass immigration in general until such a time when law and order has been reestablished in our major cities. We will not accept any accusations of "racism." Many European nations have for decades accepted more immigration into our countries in a shorter period of time than any other people has done peacefully in human history.

We are sick and tired of feeling like strangers in our own lands, of being mugged, raped, stabbed, harassed and even killed by violent gangs of Muslim thugs, yet being accused of "racism and xenophobia" by our media and intimidated by our own authorities to accept even more such immigration.

Europe is being targeted for deliberate colonisation by Muslim states, and with coordinated efforts aimed at our Islamisation and the elimination of our freedoms. We are being subject to a foreign invasion, and aiding and abetting a foreign invasion in any way constitutes treason. If non-Europeans have the right to resist colonisation and desire self-determination then Europeans have that right, too. And we intend to exercise it.

If these demands are not fully implemented, if the European Union isn't dismantled, multiculturalism isn't rejected and Muslim immigration isn't stopped, we, the peoples of Europe, are left with no other choice than to conclude that our authorities have abandoned us, and that the taxes they collect are therefore unjust and that the laws that are passed without our consent are illegitimate. We will stop paying taxes and take the appropriate measures to protect our own security and ensure our national survival.

Sources:

<http://www.frontpagemag.com/Articles/Read.aspx?GUID=DFBC5B1B-02E3-4323-AECC-CC95AC15F905>

1. <http://www.brusselsjournal.com/node/1976>
2. <http://www.euractiv.com/en/constitution/merkel-drops-constitution-label-eu-summit/article-162389>
3. <http://euobserver.com/9/23429>
4. http://littlegreenfootballs.com/weblog/?entry=23705_The_Islamophobia_Circus_Comes_to_Town&only
5. <http://fjordman.blogspot.com/2005/11/are-muslims-jews-of-today.html>
6. <http://www.spiegel.de/international/spiegel/0,1518,457002,00.html>
7. <http://www.brusselsjournal.com/node/1862>
8. <http://www.amazon.com/Truth-About-Muhammad-Intolerant-Religion/dp/1596980281/>
9. <http://www.faithfreedom.org/Articles/sina/looting.htm>
10. <http://www.answering-islam.de/Main/Muhammad/Enemies/asma.html>
11. <http://snouck.blogspot.com/2007/03/hunting-licence.html>
12. <http://www.islamonline.net/English/News/2005-06/19/article04.shtml>
13. <http://www.brusselsjournal.com/node/1970>
14. <http://36.134.-5.453plusf64:IKpIdIt249731798277ПБ>
15. <http://www.frontpagemag.com/Articles/ReadArticle.asp?ID=21502>
16. <http://gatesofvienna.blogspot.com/2006/07/let-them-eat-kebab-new-marie.html>
17. <http://www.dagbladet.no/magasinet/2007/02/07/491296.html>
18. <http://www.freerepublic.com/focus/f-news/1767864/posts>
19. http://gatesofvienna.blogspot.com/2006/10/eurabia-code_19.html
20. <http://democracyreform.blogspot.com/2006/11/democracy-needs-reformation-by-ohmyrus.html>
21. <http://www.migrationwatchuk.org/pressreleases/pressreleases.asp?dt=30-January-2007>
22. http://www.city-journal.org/html/16_3_oh_to_be.html
23. <http://www.vg.no/pub/vgart.hbs?artid=181034>
24. <http://www.cphpost.dk/get/100249.html>
25. <http://www.brusselsjournal.com/node/865>
26. <http://www.ushistory.org/declaration/document/index.htm>

2.94 Conservatives discussing future solutions for Europe

This will add to several of the ongoing discussions and potential solutions.

The "Atatürk approach" has already failed

Many moderate cultural conservatives have suggested that banning Sharia will solve all our problems and force the Muslims to integrate. Unfortunately, Islam is a lot more resilient than most people can comprehend.

Any "Atatürk approach" will not solve anything but only delay the inevitable. Turkey became secular after Mustafa Atatürk, by military force, implemented his harsh reforms 90 years ago. The result? Sharia lay dormant for 70-80 years. As soon as it was practically possible (Turkey had to implement more human rights to appease the EU) the former "dormant" devout Muslims resurfaced and the Islamist alliance won the last election. The secular elites of Turkey backed by the military are now in an undemocratic manner refusing to obey the will of the majority (Islamist alliance). Turkey is therefore a textbook example of a dictatorship. The reason why Atatürk failed is because Islam is extremely resilient, in fact more resilient than most people can comprehend. Taking Sharia (and all political aspects) out of Islam is simply not possible.

Sure, we can force temporary secularisation on the Muslims but eventually, even though they would have to wait 90 years, the demands for more Sharia will resurface. And by then they will be in majority and can democratically do whatever they want.

So ironically, failing to take action now and deport the Muslims will result in a scenario where Muslims will be in majority. The only way we can then prevent Sharia law from being implemented as the only standard will be to suppress the Muslim majority through military force just like Turkey is doing now. In other words, the humanists reluctance to support deportation of Muslims today are therefore contributing to destroy our very democracies. Because the end result, due to their reluctance to act, will be a Turkey style dictatorship/fascism. I'm a strong defender of democracy and therefore cannot support this fascist approach. We, the cultural conservative and anti-fascists of Europe must therefore do everything possible to defend democracy and freedom and prevent a fascist dictatorship by seizing power and enforce a harsh but just democracy. This can only be accomplished by overthrowing the current Western European multiculturalist regimes by seizing power through armed resistance and a military coup when the time is right. This is the only way to safeguard democracy long term. Sure, it will be bloody. But if democracy, our homelands and people aren't worth certain sacrifices then what is?

I predict one of the four scenarios for W. Europe, depending on whether we succeed or not:

- 1.** Islam will reform to a secular "Islamic Protestantism", where all political aspects (Sharia included) will be purged. This is unlikely.
- 2.** Our countries will be Muslim
- 3.** Several mini-Pakistan's will be created all over Europe, one in each country (due to Lebanon style conflicts).
- 4.** All Muslims (who does not convert to a non-political religion) will be deported. This will be the alternative if the cultural conservatives of Europe succeeds in seizing power.

In scenario 2, 3 and 4 (to a certain degree scenario 1) civil war will be unavoidable in Western Europe.

2.95 Islamisation of Europe – possible outcomes

Daniel Pipes

Q: In a recent video interview you said about the future of Islam in Europe that there's a 5% chance of harmony, and 47,5% chance for either Islam becoming dominant and Europeans reasserting control, and that the latter option might imply a civil strife? Would you explain what you mean?

DP: It's striking to see that the default assumption of most Europeans is that somehow the European-Muslim relationship will work out. There may be problems today, but in the future it will be resolved. And yet I can't see the sources of that optimism. If one looks at Muslims living in Europe one finds retreat rather than engagement. The children of the immigrants are more hostile toward existing European civilisation than are the immigrants themselves. On the European side, one finds increasing worry, concern, fear of the Muslim presence. So the hope that everyone will get along seems to be not based on reality. Therefore I give it a very low possibility of working out. Not zero, but minimal.

On the other hand, the alternatives between Muslim domination and European reassertion seem to me rather balanced. I can't predict which of them is more likely to happen. Crises ahead that have not taken place which will help determine which way Europe goes.

Q: What kind of crises are to be expected, beyond those we have already seen?

DP: There have been small crises. The Rushdie affair. The Foulard affair. The pope affair. But these are not real crises. Little riots here and there. But nothing that has really led to major changes. So I think there's a gap of five, ten, fifteen years to the future. I can't predict but it could be something like the French riots of 2005, but far more violent – not burning cars but killing people. It could be the election of a government that could decide to send Muslim immigrants back to their home countries. I'm unable to predict the specific nature, I just think there are problems ahead that will show us which way Europe is likely to head.

Source: <http://www.danielpipes.org/5736/interview-with-daniel-pipes>

2.96 From the death of Multiculturalism

By Fjordman

I do, unfortunately, agree with Hedegaard that we have already passed the point of no return for serious conflicts caused by Muslim immigration. Anything we do now is damage limitation. A Multicultural society is only temporary. Sooner or later, we will return to a new mono-cultural society. This will happen either through the division of the previously coherent territory into new, mono-cultural enclaves or through the takeover by society as a whole of the most forceful and aggressive of these competing cultures.

My personal view is that the Jihad riots in France in 2005 could be interpreted as the early stages of a civil war, one of several Eurabian civil wars to come. What will happen to the hundreds of French nuclear warheads? Will they be used to intimidate the rest of the West?

Maybe future historians will dub this the Multicultural World War. I find this to be a more accurate term than "The Islamic World War" because what is causing this world war is Western cultural weakness more than Islamic strength. The wars in the Balkans in the 1990s will in hindsight be seen as a prelude to the Multicultural World War.

It could be similar to the division of India after WW2, with the creation of one or several Islamic "Pakistan" enclaves. All of Europe will not be lost, but some parts may be, and many others will be damaged by the fighting. Many of our cultural treasures will burn.

It is possible that those regions of Europe where the infidels are strong enough will copy the Benes Decrees from Czechoslovakia in 1946, when most of the so-called Sudeten Germans, some 3.5 million people, had shown themselves to be a dangerous fifth column without any loyalty to the state. The Czech government thus expelled them from its land. As Hugh Fitzgerald of Jihad Watch has demonstrated, there is a much better case for a Benes Decree for parts of Europe's Muslim population now than there ever was for the Sudeten Germans.

The truth is that Europe has got itself into a bad fix, again, and will have some turbulent and painful decades ahead regardless of what we do at this point. The choice is between some pain where at least parts of Europe prevail and pain where Europe simply ceases to exist as a Western, cultural entity.

The most civilised thing we can do in order to save ourselves, but also to limit the loss of life among both Muslims and non-Muslims, is for Westerners and indeed infidels in general to implement a policy of containment of the Islamic world. This includes stopping Muslim immigration, but also by making our countries Islam-unfriendly, thus presenting the Muslims already here between the options of adapting to our societies or leaving if they desire sharia law. Even whispering about Jihad should be grounds for expulsion.

Since Islamic countries can use organisations such as the United Nations to influence Western freedom of speech and immigration policies, Westerners need to discredit and disengage from the UN as much as possible, at some point maybe withdraw from it completely. We cannot under any circumstances allow Islamic nations to influence our legislation.

Regaining our cultural confidence is a more complicated and longer term goal. It probably cannot be achieved until today's version of Western Europe has collapsed. Western Europe is now a collection of several layers of different Utopias, multiculturalism, welfarism and transnationalism, that will soon come crashing down.

However, just as Islam isn't the cause of Europe's weakness but rather a secondary infection, it is conceivable that the Islamic threat could have the unforeseen and ironic effect of saving Europe from herself. Europe will go through a turbulent period of painful, but necessary revival. Maybe Jihad will trigger a new Renaissance in the West.

Europe will bleed but she won't die. It remains to be seen whether this is wishful thinking or whether it will actually happen. In any case, it will take time to materialise.

It may sound unrealistic to talk about the collapse of the European Union or pulling out of the UN, but I believe things will rapidly get worse in the years ahead. A generation from now, things that will seem improbable or outright impossible now will have come to pass. We will see some of the largest changes in world politics since WW2, perhaps in centuries.

2.97 Europe heading for Civil War

By Fjordman

“And what country can preserve its liberties, if it's rulers are not warned from time to time, that this people preserve the spirit of resistance? Let them take arms.”

Thomas Jefferson

In my essay about the retreat of the Western world order[1], I mentioned the possibility of civil strife in the West caused by runaway immigration. This is no longer just a theoretical possibility. It is pretty clear to anybody following the developments in Europe that the situation in France is starting to become rather serious[2]. President Jacques Chirac threw out part of a youth labour law[3] that triggered massive protests and strikes, bowing to intense pressure from students and unions. The unemployment rate for youths under 26 is a staggering 22 percent nationwide, but soars to nearly 50 percent in some of those troubled areas with many Muslim immigrants. French Jews are leaving[4] the country in ever-growing numbers, fleeing a wave of anti-Semitism. Nidra Poller[5], American ex-pat writer and translator in Paris, has written some appalling stories about aggressive anti-Semitism, such as the murder and brutal torture of French Jew Ilan Halimi early in 2006.

Muslim blogs are calling for violence against the Jews, the whites and the well-to-do. They say, “We must burn France[6], as Hamas will burn Israel.” The growth of the Islamic population is explosive. According to some, one out of three babies born in France is now a Muslim. Around 70% of French prisoners[7] are Muslims. Hundreds of Muslim ghettos are already de facto following sharia[8], not French law. Some have pointed out that the French military are not always squeamish, but there are estimates that 15% of the armed forces[9] are already made up of Muslims, and rising. How effective can the army then be in upholding the French republic? At the same time, opinion polls show that the French are now officially the most anti-capitalist nation[10] on earth. France has chosen Socialism and Islam. It will get both, and sink into a quagmire[11] of its own making. Some believe France will quietly become a Muslim country, others believe in civil war in the near future:

The French Disease[12]

Within 20 years, one person out of four in France will be Muslim, and almost certainly poor and angry. So the French disease progresses. It is chronic becoming terminal. On the way toward collapse, there will be no civil war, just moments of harsh violence. The population will change. People with a high level of productivity will choose exile. People with a low level of productivity will immigrate. Jews and Christians will leave. Muslims will arrive.

The unreported race riot in France[13]

Fredric Encel, Professor of international relations at the prestigious École Nationale d'Administration in Paris and a man not known for crying wolf, recently stated that France is becoming a new Lebanon. The implication, far-fetched though it may seem, was that civil upheaval might be no more than a few years off, sparked by growing ethnic and religious polarisation.

I'm not sure which of these scenarios is scarier. People keep talking about the nukes that the Iranians may get, but what about the hundreds of nuclear warheads the French have? Will they be used to intimidate the rest of the West? How do we handle an Islamic France, still the heartland of the European continent, with Muslim control of hundreds of nukes? And how do we handle a Bosnia or Lebanon with a population much larger than either of these countries, and with hundreds of nuclear warheads at stake?

If Muslim immigration continues, the impending fall of France could mark the starting point of the Balkanisation of much of Europe, perhaps later even North America. I fear this is a world war. Maybe future historians will dub it the Multicultural World War. Just as WW1 was caused by Imperialism, WW2 by Fascism and the Cold War by Communism, this one will be caused by multiculturalism. The term "the Multicultural World War" has been coined by Fjordman. I find this to be more accurate than "The Islamic World War" because what will cause this world war is Western cultural weakness, through multiculturalism and Muslim immigration, rather than Islamic strength. As poster DP111 says, this world war may very well be in the form of a global civil war, where you get a succession of civil wars instead of countries invading other countries. Multiculturalism and uncontrolled mass-immigration destroy the internal cohesion of the decadent West, which will slowly fall apart as it has lost the will to defend itself and the belief in its own culture. The wars in the Balkans in the 1990s will in hindsight be seen as a prelude to the Multicultural World War. Rather than a Westernisation of the Balkans, we get a Balkanisation of the West.

I guess there is some poetic justice in the fact that the country that initiated and has led the creation of Eurabia now gets consumed by its own Frankenstein monster, but we should not gloat over this. The downfall of France is very bad news for the rest of the West. Again, what happens to their nukes and military resources? As stated in the book "Eurabia" by Bat Ye'or, the merger of Europe and the Arab-Islamic world has been encouraged by the French political elite in particular at least since the early 1970s, with a vision of creating a united Europe and Mediterranean basin under French leadership, in what has basically been a French dream since the age of Napoleon, the great hero of current French PM de Villepin. Several prominent French leaders stated quite openly in 2005 that the proposed EU Constitution was basically an enlarged France. Justice Minister Dominique Perben said: "We have finally obtained this 'Europe à la française' that we have awaited for so long. This constitutional treaty is an enlarged France[14]. It is a Europe written in French." Education Minister François Fillon stated: "This Constitution allows the French ambition to assert itself in the big Europe that General de Gaulle hoped and prayed for." The French dream of an enlarged France. What they may get is a France carved into tiny pieces.

My personal belief is not that we are witnessing the final triumph of Eurabia, but rather the last spasms of the Eurabian Union. There will be at least as big changes in Western Europe over the coming generation as there were in Eastern Europe following the fall of the Berlin Wall. There will be the downfall and disintegration of an anti-democratic, bureaucratic superstate, the European Union instead of the Soviet Union, and there will be the downfall of "soft Socialism" in the shape of the Multicultural welfare state in the West just as you had the downfall of the "hard Socialism" in the East. The difference is that the downfall of Communism in the East happened through a relatively bloodless "Velvet Revolution," whereas the downfall of multiculturalism in the West may turn out to be anything but bloodless. And it will come, sooner than many people think. Multiculturalism, cultural Marxism and the idea of forced cultural equality, will collapse just as Communism, the idea of economic Marxism and forced economic equality fell.

The difference is that when Communism was discredited in Eastern Europe, it was still Poles who lived in Polish cities, Bulgarians who lived in Bulgarian cities etc. When the veil of multiculturalism disappears, it will be Pakistanis who live in London, Turks who live in

Berlin, Algerians who live in Paris and Moroccans who live in Amsterdam. And then the show begins.

Europe may not be finished yet, but she will go through a painful period of transition even if we do get a rebirth here. It should be noted that a revolution doesn't usually come when the oppression is at its worst, but when the grip of the authorities and their totalitarian ideology, in this case multiculturalism and political correctness, seems to be slipping. This was the case with the Soviet Union in the 1980s, and it will be the case with the European Union now. I see increasing signs that the idea of multiculturalism is on the retreat. Even Germany's and Europe's largest newspaper ran a series about the collapse of multiculturalism recently.

I am not alone in predicting such a turbulent scenario. Prominent critic of Islam in Denmark, Lars Hedegaard, is quoted in Bruce Bawer's book "While Europe Slept, How Radical Islam is Destroying the West from Within" in support of this dark view:

"If there's any hope," Hedegaard suggested dryly, borrowing a line he knew I'd recognise from 1984, "it lies in the proles." Yet we both knew that the "proles" – if they did take over the reins from the elite – might well lead Europe back down the road to fascism. He did admit that he was glad to be living in Denmark and not elsewhere in Western Europe: "If there's any place where there's hope, it's got to be this country." But Hedegaard didn't hold out much hope even for Denmark. "Unless they build up a cadre of intellectuals in Europe who can think," he said, America "can kiss Europe good-bye." The Continent's future, he predicted, "is going to be vastly different than we imagine.. It's going to be war. Like Lebanon," with some enclaves dominated by Christians and others by Muslims. There will be "permanent strife," and no one will have the "power to mollify or mediate... It will be more gruesome than we can imagine." When the horror comes, he warned, the journalists who helped to bring it about will "wag their heads and flee – and leave it to those who can't flee to fight it out."

The population movements we are witnessing now are the largest and fastest in human history. In Europe, they can only be compared to the period often referred to as the Migration Period, following the disintegration of the Roman Empire. However, during the 4th and 5th centuries, the total human population of the world was in the order of 200 million. Today, it is 30 times larger than that, and still growing fast. We also have communications that can transport people anywhere on earth within hours, and media that show ordinary people how much better life is in other countries. On top of that, the Romans didn't have human rights lawyers advocating that millions of barbarians be let into their lands. Is it a coincidence that the last time we had migrations like this was when large parts of the European continent suffered a complete civilisational breakdown? Is that what we are witnessing now? The second fall of Rome[15]?

Both Thailand and the Philippines, countries where the Muslim population is not much larger than it is in some Western European countries, are facing war. Countries such as France, Holland and Sweden could soon reach a point where the Muslim population will create something akin to civil war, as it already has in the above-mentioned nations. The Islamic world is now at war with most of the major powers on the planet at the same time, from the USA to India and from Russia to Western Europe. It is a real possibility that we will get a full-blown world war because of these events. If so, I don't think this will happen 50 years from now, but within the coming generation.

There are several possible scenarios:

1. Eurabia

The EU continues its transformation into a continent-wide organisation with clear totalitarian leanings, and a very pro-Islamic stance. Europe's fate is sealed when Turkey is allowed into the Union, and becomes its largest member. Historian Bat Ye'or, who first coined the term "Eurabia", thinks that Europe's ties with the Arab-Islamic world are now so firmly entrenched and established that Eurabia is an irreversible fact. Europe will cease to be a Western, democratic continent, and will become an appendix to the Arab world. Eurabia will become a global center for Jihad activities, as the dhimmi taxpayers and infidel Western technology give a boost to the Ummah. Muslims will be heavily concentrated in the major cities, and the dhimmi native population will retreat into the countryside. The old nation states will thus slowly die, as their major cities, which constitute the brain and "head" of its culture, are cut off from the rest of the body. Europe's decline into Eurabia will be speeded up by the fact that millions of educated natives with the means to it will move to the USA or other nations. There will be no major war in Western Europe, as its civilisation is already dead and very few will bother fighting for it.

The only violence will be sporadic Islamic terror attacks to induce fear, and occasional Muslim mob assaults in European streets to remind the dhimmis who is boss. It is conceivable that the center of European civilisation will move from Western Europe to Eastern Europe, but even Eastern Europe will be put under severe pressure from Muslims, both in the Middle East and in the West. The basic rule is that the areas Muslims have taken into possession remain in Islamic hands, while the native population and culture is slowly eradicated. If this holds true for us today, then parts of Western Europe are already lost, and will indeed become Eurabia as Bat Ye'or predicts. There are not too many instances I know of where areas once under the sway of Islam have been reclaimed by infidels. The most obvious is of course Spain and the Iberian Peninsula, where the Reconquista took quite a few centuries. I know the Sikhs have kicked Muslims out of Punjab, India. Parts of present-day Israel could be counted, although Arabs and Muslims are trying very hard to wipe Israel off the map. And maybe some of China's Western provinces could be included. Islam has not been eradicated there, but it is visibly retreating as Chinese authorities are suppressing any signs of rebellion.

What these examples have in common is that both the Christians in Spain, the Sikhs in India and the Jews in Israel were fighting Islam with powerful religious convictions of their own. The Chinese are not usually very religious, but they have an equally strong, even ruthless nationalism and belief in their own civilisation. If history is any guide, today's decadent, bored, post-religious and post-nationalist Europe will be no match for Islam, unless it rediscovers a belief in its own culture and a will to defend it. This will have to happen soon, or the Islamic demographic conquest of much of the continent will be an irreversible fact, anyway. The result of this will then either be Eurabia or a Pakistanisation of Europe, the way we have already seen for generations in the Balkans.

2. War

Personally, I think this alternative is at least as likely as the above "Eurabia" scenario. It also contains several sub-scenarios, partly depending upon when the eventual war starts, and partly on whether there is still some Western pride and resistance left in Europe underneath the self-loathing and multiculturalism:

The Pakistanisation of Europe

Muslims aren't numerous enough to control the entire continent. In the event of war, there will be mutual ethnic cleansing and Muslims will seize parts of Western Europe. For instance, a belt stretching from parts of Germany via Belgium and Holland to France, but maybe even regions within certain nation states. All of Europe will not be lost, but some parts will, and many others will be deeply damaged by the fighting. Many of our cultural treasures will burn. How things will go from there is difficult to predict. Perhaps this new "Pakistan" in the heart of Europe will be the source of constant instability and the staging ground for Jihad incursions into infidel areas, just as Pakistan is to India now. Perhaps we will see a slow reconquest of this area, possibly taking generations or even centuries. Muslim de facto control of hundreds of French nuclear warheads will make the situation a lot more dangerous.

Of course, it could be more than one Muslim region. Kosovo and in part Bosnia are functioning as Islamic bridgeheads in Europe at this moment. There could be several mini-Pakistans created all over the place. In fact present day Kosovo walks, talks and looks like a mini-Pakistan. The "zones" in France sound suspiciously like Muslim "mohallas" in India although the situation is not as bad as in France.

Reconquista - The Second Expulsion of the Moors

Muslims strike too early, before they are ready to seize control over major chunks of Europe. They overestimate their own power, and underestimate the strength that is still left in Europe. It will start, as these things always do, before anyone is ready. Everyone, the Islamists, the proto-dhimmis, the neo-nationalists, the sleepwalking middle class, thinks they have more time than they do. It may start more or less by accident, like WWI, through the act of a fringe player unaware of the forces involved or the stakes of the game. Once a full-blown civil war starts in one country, it can, and probably will, spread to other countries. Given the European Union's borderless nature, it is unlikely that war will be limited to one nation only. This will create a domino effect, and Muslims will be expelled from Europe yet again, after major bloodshed and millions of dead across the continent. This will result in the collapse of the EU. The Arab world will support the Muslims and will prolong the war, but they won't win it.

Cultures collide: Muslim immigrants will be expelled from Europe unless they reverse the growing perception of them as a social threat^[16]

The Muslims refused to assimilate. They were expelled. This was the story in Europe 400 years ago. We are watching the sequel today. In the clash of cultures between secular Europeans and extremist Muslims, there can ultimately be no compatibility or compromise, only loss by one side or the other of the absolute values it holds dear. European capitulation on European soil, where they remain the dominant majority, is unlikely.

Global Civil War

Europe has been the primary staging ground for one cold and two hot world wars. It could become a major battlefield in an Islamic or Multicultural world war, too. A world war is already simmering, with Muslims clashes against Russia, Europe, Israel, China, India, the USA and Southeast Asia. Once the fighting starts in Europe, it could spread outside the continent and ignite a world war. This is the scenario of "global civil war".

3. Western Rebirth in Europe

We should discuss the possibility of whether the Islamic threat will force the West to rethink its values and regain its strength. Can this be done, and how would this take place? Is it possible to avoid both major war and Eurabia or is this wishful thinking by now? The growth of Eurabia is closely tied to the growth of the EU. Perhaps we could derail Eurabia by dismantling the EU? This would require that Europe regain her old, cultural and religious dynamic and repel Islam. Just as Islam isn't the cause of Europe's current weakness, but rather a secondary infection, it could have the unforeseen and ironic effect of saving Europe from herself. By quite literally putting a dagger at Europe's throat, the Islamic world will force Europeans to renew themselves or die. Europe will go through a turbulent period of painful, but necessary revival, and will arrive chastened on the other side.

Source:

<http://gatesofvienna.blogspot.com/2006/04/fall-of-france-and-multicultural-world.html>

1. <http://gatesofvienna.blogspot.com/2006/04/retreat-of-western-world-order.html>
2. <http://www.brusselsjournal.com/node/969>
3. <http://www.foxnews.com/story/0,2933,191122,00.html>
4. <http://fjordman.blogspot.com/2005/11/when-arab-torches-school-its-rebellion.html>
5. <http://israpundit.com/2006/?p=344>
6. <http://www.amnation.com/vfr/archives/005367.html>
7. <http://fjordman.blogspot.com/2005/06/70-percent-of-french-prisoners-are.html>
8. <http://fjordman.blogspot.com/2005/10/second-night-of-rioting-in-paris.html>
9. <http://www.islamonline.net/English/News/2005-01/22/article04.shtml>
10. http://www.thebusinessonline.com/business_focus/Stories.aspx?StoryId=969C72F8-5017-4C86-A1EE-8723C183C37F&page=1
11. <http://48.583.7.754plusf51:Kjzapqk565389921175BΠ>
11. <http://www.brusselsjournal.com/node/940>
12. <http://www.frontpagemag.com/Articles/Printable.asp?ID=21957>
13. <http://www.jihadwatch.org/dhimmiwatch/archives/005655.php>
14. <http://www.eursoc.com/news/fullstory.php/aid/760>
15. <http://fjordman.blogspot.com/2005/11/second-fall-of-rome.html>
16. <http://www.canada.com/nationalpost/news/story.html?id=34cbfb7-eb95-4e77-a155-3904297e45de>

2.98 Are all European men weak minded cowards or are they just brainwashed?

"Liberty means responsibility. That is why most men dread it."

George Shaw

Why won't more of us volunteer to fight our regimes while we still have a demographical edge? This is a question that will follow us for the decades to come.

Mahatma Gandhi once wrote:

"Hindus are cowards and Muslims are bullies."

When I was younger and a lot more ignorant I used to ask myself this very question about Europeans. What's wrong with us, what's wrong with the European modern man? Why doesn't he rise up against the multiculturalist elites and at least attempt to inflict some damage or contribute to seize power on behalf of himself, his family and his people? Many state leaders around the world are puzzled over how little resistance the European elites are getting in their attempts to completely demographically reshape Europe.

Even the Russian president, Vladimir Putin knows exactly what is going on as he has publicly stated in the past:

"Western Europe is heading in a direction where they are going to become colonies of their former colonies".

So why is it that ordinary Europeans (especially women) fail to see what is going on when even state leaders publicly ponders. Luckily more and more Europeans are realising the truth but many still asks themselves; who is to blame for this?

- Why do Europeans lack cultural and political self confidence to prevent its own suicide?
- Is it genetical and a way nature is saying that Europeans are not "fit to exist" or is it just due to decades of excessive decadence?

Certainly not. Historically, Germanians, Anglo-Saxons and other European peoples have fought viciously and courageously against Roman occupation for several centuries until they were finally pushed out. My own ancestors, the Vikings, were known to be the most vicious and brutal warriors of the age and would raid significantly more developed cultures even when outnumbered 10 to 1. Instead of looking at genes we will find the answer if we look at the psychological condition of the modern European.

- How did we end up as cowardly eunuchs applauding our own cultural and demographical demise?

The essence is that the US but especially W. Europe lost the cold war due to the fact that we didn't persecute the Marxists after WW2. If we had executed each and every Marxist and banned Marxist doctrines (not only the economical aspects but the cultural as well – internationalism, extreme feminism, extreme egalitarianism, anti-elitism, anti-

nationalism) we would not be in the current situation. Instead, our traitorous and weak minded post-WW2 leaders allowed the Marxists to gradually infiltrate many aspects of society after WW2, especially our universities and the media (see the beginning of book 1 for a complete overview of how this happened). The first ML pioneers (Marxist Leninists) were allowed to indoctrinate the 68 generation, those who run things today. The political correctness of today is cultural Marxism as we learned in the first chapters of this compendium. Smaller European nations are now mimicking France, Germany and the UK who unfortunately, due to the outcome of WW2, are completely culturally dominated by the US. The reason for this lack of "self esteem" is the absence of nationalism/nationalist monocultural political doctrines and we all know what killed nationalism in Europe. Hitler's insane, genocidal and imperialistic doctrines have resulted in the post-war situation where nationalist doctrines altogether were branded as evil. In other words, that man contributed to completely annihilate the legitimacy and future justification of nationalistic doctrines for several decades to come. Today, even using the word "nationalist" will involve certain stigma thanks to 5 decades of anti-nationalist brainwashing campaigns. These pro-multiculturalist campaigns are nothing more than psychological brainwashing campaigns demonising anything nationalistic initiated by individuals, groups or political parties. As we all know, nationalism represents many of the cultural defences a civilisation has. When you deconstruct these defences the natural result will be that you are allowing your country to become vulnerable to cultural influence or even cultural and demographical conquest as we see today.

Nationalism is now gradually but slowly on the rise again in Europe primarily due to Islamisation but is still systematically demonised by the current EUSSR + US cultural hegemony.

So there you have it. Europe is heading towards cultural and demographical suicide due to the absence of nationalistic doctrines. Nationalism is the anti-thesis of multiculturalism/internationalism. In order for nationalism to succeed, multiculturalism must be deconstructed and vice versa. The cultural Marxists/humanists/globalists will do EVERYTHING in their power to prevent nationalists from succeeding as we have witnessed now for several decades.

Campaigns of psychological warfare (anti-nationalism) have been integrated into the school curriculums and all intellectual public frameworks. Europeans have been psychologically conditioned into a state of denial and self contempt. A majority of Europeans are therefore in a permanent state of psychological trauma, some nationalities more than others.

The most severely affected are of course the Germans and the Nordic countries; Sweden, Norway, Iceland, Finland and Denmark. The justification for demonising their forefathers is a mixture of portraying the evil crusaders, the evil colonisers/enslavers and of course Nazi Germany's policies of nordicism. The clear message from our cultural elites is that we are by definition evil and unworthy of life. And that we will do the world a big favor by contributing to our own extermination through third world colonisation. The self loathing runs deep through most aspects of society. To quote one of the most influential professors in Norway, Thomas Hylland Eriksen[1]:

"Our (the Marxist elites of Europe) most important task ahead is to deconstruct the majority, and we must deconstruct them so thoroughly that they will never be able to call themselves the majority again".

Later quote

"This will contribute to understanding and liberation"

The problem in our societies isn't primarily that individuals like Eriksen exists (and believe me, every country has their share of these highly influential anti-nationalist intellectuals) but rather that they are allowed unrestricted access to broadcasting networks, state channels, the main stream media in general to spread their hate-speech. They are allowed this access because 80% of politicians and 98% of journalists (category A and B traitors) are aiding and abetting them in the ongoing genocide. This while people like myself, who are trying to warn people of this extremist hate speech, are systematically ignored and demonised as, guess what; racist, fascist extremists... It is nothing less than insane and it borders to an advanced level of psychopathic absurdity. A majority of Europeans are still susceptible to this brainwashing although this is gradually changing.

As you might already know I have used Facebook to build my network of like minded individuals. During this process I have targeted and reviewed multiple right wing pan-European/international FB groups and taken a closer look at the ratio concerning nationality vs. political correctness. By evaluating the numbers from given countries I have been able to determine the severity level of each country when it comes to the success ratio of the Marxist/multiculturalist brainwashing campaigns. The following overview will list the least affected countries (100 will indicate; relatively unaffected) to the most affected (0). I have taken language barriers into account so the overview should be representative.

Level of multicultural indoctrination per country

Country	Level of multiculti indoctrination
Slovakia	90
Slovenia	90
Czech Republic	80
Italy	70
Russia	70
Poland	70
Greece	60
Finland	60
Denmark	40
Portugal	40
US	30
Iceland	20
Spain	10
Luxembourg	10
Netherlands	10
Belgium	10
UK	10
France	10
Switzerland	10
Norway	8
Sweden	6
Germany	1

100 – Least brainwashed with multiculturalist propaganda

0 – Most brainwashed with multiculturalist propaganda

Germany is helpless and unable to defend itself culturally

My 2 year Facebook study proves that the above indications are correct. There is a very clear relevance of the various national direct/indirect indoctrination campaigns and the given state of "visible" patriotism in those countries. The visible presence of patriots (individuals flagging patriotic views through voluntary Facebook labels (political views) and group/fan memberships) is directly linked to the severity of that nations indoctrination campaigns. In reality, we (Germans especially) are collectively held responsible for all the bad things in the world which explains our current mentality of self loathing.

Specific findings

I found approximately 50 significant patriotic British Facebook groups and 40 French groups but I only managed to find less than 10 German groups even with the assistance of my patriotic German Facebook contacts. The number of individuals from each country being members of the average patriotic group (adjusted for language related factors) correlates to the group comparison. The difference is so significant that it undisputably confirms the miserable state of German patriotism. This again is directly linked to the severity of the German cultural Marxist indoctrination campaigns (the American military presence and the paralyzing Jewish Holocaust religion is a part of this picture). Germany is in a league of its own as its people has undergone a severe and historically unparalleled indoctrination the last 6 decades. Germany is now simply unable to build a political defence against Islamisation and cultural Marxism/ multiculturalism due to this ongoing state of psychological trauma and paralysis. Extra responsibility to continue consolidation and development of our patriotic resistance movements therefore lies on the peoples of other nations than Germany and especially the patriots in the UK and France. This is ultimately why I have chosen my current path; to join a pan-European military order instead of a national organisation and to offer intellectual resources to especially my English brothers and sisters. Because by helping and supporting the National resistance movements in the the UK and France we indirectly help our own smaller countries. I believe that the key to freedom in Europe is directly linked to the developments in especially the UK and France. Nationalists from the rest of Europe look to British and French nationalists for inspiration and guidance.

How does this multiculturalist indoctrination manifest itself?

With exception of the common symptoms such as self denial, self hate etc. the perhaps most important effect is that people are terrified of flagging their political views and general opinions in public or in social gatherings. The various groups people join (or do not join) on Facebook is a good indicator on how bound individuals feel by the shackles of political correctness. Several recent polls show that Europeans are most concerned about what effects Islam will have on their societies in the future. They are truly afraid with good reason. These concerns even surpassed the alleged threat of global warming. So you would think that a majority of these individuals are members of Facebook groups such as Stop Islamisation of Europe – SIOE or similar groups. My research shows very clearly however that people are terrified of flagging their views relating to these issues due to political correctness. SIOE only has 5000 members as of December 2009 while trivial and quite silly groups have hundreds of thousands, even millions of supporters. Political correctness has paralyzing effects resulting in that the large majority of people avoid flagging their standpoints.

However, people are starting to get immune against accusations of racism. This trend will continue thanks to inflation of the word and an excellent effort made by right wing

political activists in spreading the truth about Islam and other issues through blogs and other platforms. The truth is finally getting out gradually to an increasing number of Europeans. The Islamisation is in fact acting as a cure for psychological trauma, waking up an increasing number of Europeans from their coma.

We are slowly realising how our own elites have betrayed us and continue to do so. We are learning that they are systematically selling the European peoples into Muslim slavery as they continue to allow the ongoing demographic warfare, launched by the Global Islamic Ummah. They even expect us to cheer our own extermination.

"In the beginning of a change, the patriot is a scarce man, and brave, and hated and scorned. When his cause succeeds, the timid join him, for then it costs nothing to be a patriot."

Mark Twain

Many Europeans put restraints on themselves because they think it's still hope; hope to solve our problems democratically. This leads to hesitation and delays them from joining resistance movements. Europeans need to understand that there is no hope of solving our problems through our elected parliamentarians. The sooner people realise this, the sooner they will be able to contribute to solve our core problems. Our survival depends upon it. An increasing number of Europeans will learn in the coming two decades that the only realistic approach to saving our identities, cultures, traditions and even nations will be to contribute in various ways in the emerging European Resistance Movements. 7 out of the 8 resistance fronts are non-violent. As of now, in phase 1, most people refrain from reacting through armed resistance since they live in economic prosperity, and to stand up for their ideas would send them into suffering. However, soon enough we will have an economic collapse that will make the current recession look like a picnic. And then, ordinary citizens will face suffering day in and day out. And at that point standing up for their ideas through armed struggle will come at no extra cost. We will reach this stage in phase 2 of the European civil war (2030-2070).

Sources:

1. <http://www.culcom.uio.no/nyheter/2008/hylland-eriksen.html>

2.99 The Self-Defeat of the United States

By Fjordman

At the Center for Security Policy, Caroline Glick writes about "Surviving in a Post-American World":

Like it or not, the United States of America is no longer the world's policeman. This was the message of Barack Obama's presidential journey to Britain, France, the Czech Republic, Turkey and Iraq this past week.

Somewhere between apologising for American history — both distant and recent; genuflecting before the unelected, bigoted king of Saudi Arabia; announcing that he will slash the US's nuclear arsenal, scrap much of America's missile defence programs and emasculate the US Navy; leaving Japan to face North Korea and China alone; telling the Czechs, Poles and their fellow former Soviet colonies, "Don't worry, be happy," as he leaves them to Moscow's tender mercies; humiliating Iraq's leaders while kowtowing to Iran; preparing for an open confrontation with Israel; and thanking Islam for its great contribution to American history, President Obama made clear to the world's aggressors that America will not be confronting them for the foreseeable future.

Whether they are aggressors like Russia, proliferators like North Korea, terror exporters like nuclear-armed Pakistan or would-be genocidal-terror-supporting nuclear states like Iran, today, under the new administration, none of them has any reason to fear Washington.



I remember when the Iranian ex-Muslim Ali Sina, author of *Understanding Muhammad*, compared the personality cult surrounding Barack Obama to that of Fascist leaders. This might seem exaggerated, but there is definitely a personality cult surrounding Obama which is unprecedented and deeply unhealthy. His Marxist economic policies and his bow for the Saudi King are disturbing. I never liked Bush very much, but Obama's appeasement of the Islamic world trumps anything seen since the days of Dhimmi Carter, and worse is to come.

Less than eight years after the Jihadist attacks on the USA, a President raised as a Muslim with the middle name "Hussein" hails Islam's great contributions to American and Western culture. The USA currently looks more like a defeated nation than the world's sole remaining superpower. It's the only nation in history where the majority of the population has elected a member of an organisation known for hating the majority population of that country.

My conclusion from 2008 still stands: Americans will soon have their hands full with problems of their own and will be in no position to assist anybody even if they wanted to. Europeans can and should maintain good relations and cooperate with ordinary North American citizens, who live under the same Multicultural regime as we do, but we cannot and should not rely on aid from the American elites. They are as hostile as the EU elites.

2.100 Continued discussion on US-European relations

"But we cannot and should not rely on aid from the American elites"

It's never been a matter of choice for Europe to rely on aid from America. Since the world order installed in the wake of WWII it's been a matter of staying put and obeying to the world order. Any kind of European vitality has been suppressed under this American hegemony (see Serbia-Milosevic and Austria-Haider). You have already heard all the arguments about this from across the Atlantic: European nationalism is the root of all evil, European vitality will only lead to endless wars etc. And the American reverse of Obama is not much of a comfort. The more American nationalism grows, the more anti-European and anti-Russian it becomes. Ralph Peters is a good example.

The Europe right-wing Americans see today and disdain is wholly a creation of America herself. The leaders of Europe are nothing but marionettes of the current America-led world order. But this insight has also more and more emerged among the right-wing Americans, now that the true face of (political) America manifestly come to its closure with Obama. But aren't there all these Americans who do not at all support Obama? Yes, and they are like Ralph Peters.

The reason that we find a strong conservatism in America and not in Europe is that American conservatives are not at all conservative but liberals to the core; French Revolution egalitarians and PC addicts with fear of "racism", etc. European conservatism is of a essentially different kind, and totally unacceptable under the current world order. In the American mythology, which is the foundation for our current civilisational paradigm, the old pre-WWI Europe is the worst of the evils, much worse than Communism of fascism. After all Wilson and Roosevelt understood and respected Lenin and Stalin. It was the old (and vital!) Europe that was Satan itself in their eyes.

The current American troops in Germany

But these American delusions had to come to an end, and thank you Obama for executing it. As long as America has troops in Germany there is no choice for Europe about whom to rely on. By the voice of overwhelming military force we are just forced to stay put and shut up and keep our traitorous marionettes; since America sees European vitality as the most evil thing in this world, Germany will be the last place they will withdraw from. But at least the whole thing is in motion now.

It will be a chaos. After all America has shouldered the legacy of the British empire as the world police (Never as good since America has never been able to create order. Only to maintain it. Once it's been lost it's lost, because of America's perpetual impotence). But changes hurt, even good and necessary changes.

"Europeans can and should maintain good relations and cooperate with ordinary North American citizens"

Agreed. But both Americans and Europeans have a lot to learn about their real roots and identity. We will go through many phases, of which the initial ones will be partially phony. America as a polity is screwed, and thank the gods for that. Americans as a people, though, has a substance to search back for. The same applies to Europeans. But unlike the Americans we have an advantage of having our nations readily available just

under the surface of the prevailing delusion (the thing that the Obamas and Ralph Peters fear and think is the root of all evil in this world).

Further comment

What culpability do Europeans themselves share in the bullying by the United States? I've always believed that bullying requires the co-operation of the person being bullied. For example, recently a German friend was complaining to me about how GM wouldn't let Opel be bought by the Germans and made independent, at the behest of the US government. I remember thinking, "Well, stick up for yourselves!" Same thing with the Swiss banking issue recently. What if the Swiss simply said, "No, we like our banking laws just the way they are, thankyouverymuch," instead of changing them?

What if Angela Merkel or her predecessors actually tried to get the US out of Germany? What's stopping her now, in light of limp-wristed Obama recently being elected?

America, the most powerful European country

America and Europe should not be seen as two separate and opposing entities, but two things in symbiosis. America is indeed a Christian European nation (in exile), and continuing the legacy of the European history of the Enlightenment. America is indeed the Empire of the Enlightenment; the Leftist Empire. And anyone being in doubt about such a statement should consider how America was the first European country to introduce a 100% income tax, and to elect someone raised as a Muslim to become president, etc. A Leftist empire will always be in denial about being an empire at all, as America evidently is.

And there we come to the second way in which Europeans are culpable. Europe found it very convenient to accept America as the new leader and its new role as the irresponsible teenager. Surely there is the trauma of the two world wars as a background for this. But there is even more the ideology from the Enlightenment. The Europeans accepted willingly to surrender to the American military, which has protected Europe ever since, is calling the shots and the setup of an "eternal" (organised) peace in Europe with no more wars.

But these were entirely different Europeans than the ones that had been running the show up until WWI. This old ruling class had been wiped out in a collaboration between America and the ideological movements of European socialists/liberals.

For example, recently a German friend was complaining to me about how GM wouldn't let Opel be bought by the Germans and made independent, at the behest of the US government. I remember thinking, "Well, stick up for yourselves!"

You are speaking of traitorous European marionette leaders under the current world order. And of the most wing-clipped nation of them all: Germany. They will never stick up for themselves, i.e. for their people (under the current cultural Marxist/multiculturalist regime).

What if Angela Merkel or her predecessors actually tried to get the US out of Germany? What's stopping her now, in light of limp-wristed Obama recently being elected?

I always come back to Gaventa's power theory and his three levels (dimensions) of power, where at the third level the oppressee is not even conscious about being oppressed, and has no concept of her own self-interest. Angela Merkel, as the other European leaders, is fully caught in this Matrix. Germany even more so, since the anti-German hatred by the "world community" won't accept even a teeny weeny sign of vitality from the Germans.

So as in any power relation, it all comes down to obeying the superior military might. That is, as long as there is this high military presence of American troops in Germany, Germany is afraid to do what is needed. America, being a Leftist Empire, is of course in denial about at all being an empire, and the oppressive nature of its actions, and how it's all built on raw military power. So not only does Germany chose to obey the command of America, it has to pretend that it is a friendly relationship.

... we cannot and should not rely on aid from the American elites. They are as hostile as the EU elites.

And both of these traitorous groups deserve the same fate. Instead, it is more likely that the bulk of America's and Europe's citizenry will necessarily suffer Islam's continued predations until the tipping point is reached.

The tipping point will come when living **with** Muslims becomes more trouble than living **without** Muslims. You can bet the farm that this point will be reached. Islam assures this outcome and there is very little that Muslim nations can do to avert it. They have neither the strategic resources nor sufficiently developed military doctrine to prevail over an aroused and angry West.

The only variables that remain are exactly how many Westerners will have to die before the tipping point is reached and the number of Muslims that will die as a result of that tipping point being reached. Any delays only serve to up the butcher's bill on both sides.

Slow jihad is not invasive enough to overcome the West before it crosses the threshold of military reprisal for continuing Islamic atrocities. Islam's inherently radical nature prohibits the creation of any stasis or uneventful interregnum whereby slow jihad can prevail.

Non-practising Muslims are incapable of preventing further terrorist atrocities and such heinous crimes will assuredly expand in scope so as to inevitably bring down the West's wrath upon Islam. Of that you can be sure.

2.101 Preserve or replace the European monarchies?

European constitutional monarchies:

- Belgium
- Denmark
- Luxembourg
- The Netherlands
- Norway
- Spain
- Sweden
- United Kingdom

How do the majority of cultural conservatives view the current state of the European royal families and their future? What is the attitude towards the institution of Monarchy in general? Does it have a future, perhaps even an extended role under a cultural conservative government?

The constitution of most European countries declares that the various governments of Europe and the commander in chief of the military forces are vested in the specific king or queen.

More democratic than republic

The king or queen of a country is more democratic than a president ever could be because he or she represents all citizens. An elected president would owe his selection to a political faction, and this would publicly divide him from many of his countrymen and would make his claim to represent "the people" less convincing. Frequent selections of presidents would interrupt the continuity essential for an effective head of a country. An elected president will always be partisan, whereas a monarch will not be. The king/queen and her heirs have been trained from birth for one vocation -- that of discharging the duties of sovereign of the country. Therefore, they are the only citizens fit to assume this important position.

Most of the world's democracies are constitutional monarchies, whereas the majority of undemocratic nations in the world are republics. Of course there are exceptions. Such nations as France, and the USA are democratic republics, but by far, the majority of republics are undemocratic. The residual powers of the King/Queen make the monarchy more democratic. The king/queen for example, has the power to dismiss a prime minister who is doing something illegal or is tampering with the democratic machinery in the country. Upon the dismissal, the king/queen can call a quick election to promote democracy.

Monarchical Government

Constitutional monarchy alone is capable of integrating the executive, legislative and judicial functions of government. The crown's authority lends a universal legitimacy to the many particular decisions made by and at different levels of government. Constitutional monarchy allows the celebration of public social events, such as the marking of collective anniversaries and the bestowal of honours, theoretically at least to be free of the taint of partisan politics. In a world of rapid social change, where there is a price to be paid for uncertainty, be that price only economic, constitutional monarchy provides continuity, especially at time of political transition. As well, the monarchy gives each country a distinctive political system at a time of strong international trade, social and cultural influences.

Monarchy for the 21st Century

Most of the stable and prosperous democracies in the world today are constitutional monarchies. On the other hand, most of the unstable countries in the contemporary world are republics, many of which have overthrown their monarchies. There is a sense of easy communication between monarchy and people, which politicians by nature are unable to develop. Citizens participate fully in their king or queen's life; they are involved in their activities during home-comings and through the media. The colour and ceremony which surround the monarchy attract the interest of the citizens, especially young people, in our process of government. Through their office and person, the king/queen reflects a civilised cultural character that embodies nationalism.

When Monarchies themselves start to propagate multiculturalism and Islamisation

A majority of European cultural conservatives are royalists (I would say perhaps 70% or more). However, in recent decades many are increasingly annoyed by certain factors. Recent developments confirm that some of our royal families (some more than others) are not acting in the interest of their country and people but instead choose a line of appeasement and acceptance towards new multicultural and politically correct doctrines without as much as criticising this new political line. The European Christian monarchs are in fact *Christian heads of state* and have a responsibility to at least criticise the continuous de-Christianisation of their respective countries. Yet, they do not. The European Christian monarchs are in fact the leaders (at least symbolically) of European civilisation and should be on the forefront to criticise the evil European hate-ideology known as multiculturalism which sole purpose is to destroy European traditions, cultures, identities, Christendom, and nation-states. They openly rejected another hate-ideology (National Socialism) so why do they support multiculturalism so vividly? Is it just bad judgment or is it treason?

Will the European monarchies survive the civil war?

To turn the problematic around: if multiculturalism is allowed to play its course everything European will slowly erode, the monarchy included. A country with a majority of Muslims will never accept a Christian monarch and will most likely support a republic or at least demand that the king/queen convert or become an atheist. As for the survival of the European monarchies throughout phase 1 through 3 it really depends on which family you are referring to. There are a few families that are quite cultural conservative (the Danish and Spanish house is worth noting) while other families seem to support a cultural Marxist political direction. The British and Norwegian royal house in particular seem to support and cheer a cultural Marxist line (multiculturalism). They seem to have no objection against the ongoing destruction of European traditions, cultures, identities, Christendom, and nation-states. They have chosen to be very accommodating towards the cultural Marxist elites. As an illustration; the British Royal family has built an Islamic prayer room in the Royal castle after pressure from the Labour Party and other multiculturalist parties.

As we all know the monarchy has a very important function in European societies. It should uphold and be an embodiment of the traditions and values of the country. In Britain the House of Lords remained after the constitutional monarchy was formed to ensure the preservation of such traditions and values from generation to generation through the family lines of their members. When Tony Blair got rid of the system of hereditary peers sitting in the House of Lords, supposedly in the name of democracy, he did it to undermine these traditions and values, and replaced the hereditary peers with sycophants and several Muslims. Baroness Warsi, for example, is a Muslim of Pakistani parentage.

Sadly, the Queen has stood by and watched all this happen without breathing a word in opposition. One must therefore consider that this is for either one of two reasons:

1. She is afraid that she will be the next to go.
2. She is aiding and abetting the destruction of British values and traditions.

Either way, she no longer does the job she is supposed to do and therefore should be replaced. There would, in fact, already be a historical precedence for such a replacement in the "*Glorious Revolution*" of 1688. Queen Margarethe of Denmark on the other hand has had the courage to speak out against the Islamisation of Europe.

The cultural conservative strategy ahead

As mentioned, a large majority of cultural conservatives are royalists. We want to preserve a monarchy that upholds its sacred oath as protector and be an embodiment of the traditions and values of the country. The Royal families that willingly and even gladly support the European hate-ideology known as multiculturalism will be replaced as soon as we, the cultural conservatives, seize power. There might even be a scenario where a monarch (supportive of cultural Marxism) decides to flee the country and chooses to reject our cultural conservative rule. In this case, he or she will be replaced with the next appropriate candidate in line of succession that is willing to continue to support European values and traditions.

Britain has a relatively large line of succession so it will not prove to be that challenging to find suitable candidates (cultural conservative). However, it might prove a lot more difficult in countries like Norway where there are limited candidates. Christian Frederik Carl Georg Valdemar Aksel was a Danish prince that was elected to be the King of Norway in the period 1905-1957 under the name Haakon VII. He was a member of the House of Schleswig-Holstein-Sonderburg-Glücksburg abbreviated the Glücksburg dynasty. An alternative would be to select a cultural conservative candidate from either the Glücksburg or Bernadotte line. Other relevant alternatives are the Oldenburg line. Personally, I would prefer to genetically identify a suitable candidate from the Fairhair (Hårfagre) line. The suitable family would in this case be "coached" by a neighbouring and willing royal family for at least three years before a coronation could take place.

We must assume that a one, perhaps two of our European royal families will betray their oath and reject our rule in the future after a coup. We must be prepared to implement a concise strategy which preserves European monarchies.

2.102 Not a war between capitalism and socialism but a cultural war between nationalism and internationalism

European public welfare has a minor role regarding the ongoing suicide of Europe. This is primarily a cultural fight between nationalism (Monoculturalism) and internationalism (multiculturalism) and not an economical war between capitalism and socialism.

Being right-wing and anti-Marxist does not mean you oppose the idea of a welfare state. The Tory Party in Great Britain introduced the first pensions and the first state medical care for the poor although it is commonly thought that the socialists did it. Bismarck also contributed significantly to create a welfare state and no one would call him a left winger.

The brutal truth of the matter is the following; a welfare state will work perfectly well intertwined with capitalistic doctrines as long as the country is monocultural/the social cohesion level is at an acceptable level. A welfare state would never work in the US due to the lack of social cohesion, because they have large minority groups who are allowed parallel cultures, norms and ethics.

Blindly opposing welfare is an American neo-Con doctrine and has nothing to do with nationalism. There are certain aspects of modern civilisation and common decency which require degrees of state welfare. It is the way it is legislated and managed which is crucial. Multiculturalism will always result in the destruction of any welfare system because the majority will eventually disallow excessive taxation in order to subsidise thousands or millions of poor people with parallel and quite frankly inferior cultures and ethics.

Many right wing Americans live under the illusion that they won the cold war simply because capitalism prevailed. Americans often forget to differentiate socialism/welfare with Marxist internationalism but these set of doctrines are two entirely different concepts. The ongoing European civil war is not a fight between capitalism and socialism/welfare. It is a cultural war between nationalism and internationalism. The European welfare systems have little to do with the current cultural and demographical suicide of Europe. The main issue here is the struggle between internationalism (Marxism/multiculturalism/globalism) and nationalism (cultural conservatism).

Marxism/internationalism/globalism/multiculturalism is an ideology designed to deconstruct European traditions, cultures, identities and even nation states while nationalism is the anti-thesis. In order for the internationalists to succeed they have combined this political deconstruction with mass-Muslim immigration. Of course, motives vary. Globalist capitalists (like the Republican Party) are supporting mass Muslim immigration for the cheap labour while the Democratic Party (cultural Marxists) are supporting it for the votes.

A common misconception is that nationalism results in backwardness and halts progress, science and any form of development. The Marxists or capitalist globalists will say that you cannot stop or avoid globalism/multiculturalism which is of course nothing more than propaganda. Japan and South Korea proves very well that this statement is wrong. Both nations are monocultural and at the same time very developed and are considered two of the most successful countries.

But the US and other multicultural countries will without a doubt have a great advantage due to the fact that they are allowing highly educated immigrants? They will also gain a significant productivity level due to the fact that they allow modern day slavery (productive immigrants working under minimum wage)?

First of all, very few countries actually have a strict entry policies and will allow any and all depending on the fact that the candidate has higher education or not. Australia and

the US are, on the other hand, quite strict and usually limit much of the immigration to these candidates.

However, the US does not have a welfare system so these immigrants will cost the society minimal if they lose their job. Secondly, the majority of immigrants accepted by most European countries are conservative Muslims with little or no education. This forms a destructive mix considering that they get full access to the welfare system.

Secondly, monocultural and highly developed countries such as Japan and South Korea prove that a well organised school system (see school systems for the future) will allow each country to develop enough professionals from their country without having to import from third world countries. The current trend of poaching highly educated foreign nationals is nothing more than a negative spiral which delays essential school reforms. Instead of accepting a dysfunctional school system by importing foreign nationals we intend to reform the system quite drastically. This will also involve copying Japanese and South Korean (old European) doctrines. These policies are actually our own as it is a blue print of the English system which was in effect in the 1950s.

On a personal level, considering the fact that others might see me as an anti-socialist elitist, considering the fact that I would like to see the massive European public sectors reduced drastically from current 40-70% down to 25%. However, this is not up to me but rather up to the future nationalist leadership of Europe. Furthermore, my loyalty to my nation and people surpasses any of my secondary or tertiary anti-socialist objectives. After all, we are fighting a war against internationalism, not against the European welfare state.

2.103 Democracy needs a Reformation

By Ohmyrus

Why should a welfare bum have the same one vote that a taxpayer has? Why should a drug pusher have the same one vote as a Mother Theresa? Why should a school dropout have the same one vote as a college professor?

The one man, one vote system gives everybody an equal say in how a country is to be run. But obviously, each citizen contributes unequally to the society. Some, like drug pushers, damage society. Others, like welfare bums, take resources from society paid for by more diligent members. Given the unequal contributions, why should everyone be given an equal right (one vote) to choose its leaders? That is the question that I have always asked myself.

Don't get me wrong, I do not want to destroy democracy. I think that despite all its faults, it is still the best form of government yet devised by man. As Churchill once said, democracy is the worst form of government, except for all the rest. Yet, there are problems with it which if not addressed may result in the collapse of democracy. I wish to prolong its life by identifying its problems and proposing possible solutions before the problems cause a system failure. This attitude may seem strange for, after the collapse of Communism, it appears that democracy has finally triumphed. (3) It appeared to many including writers like Francis Fukuyama that we have reached the end of History, meaning that we have reached the final stage in the evolution of human society with democracy as the best way to organise society.

In 1900, only a handful of countries were democracies, compared to 119 or 62 per cent of the world today. US President George Bush wants to promote democracy in the remaining places, confident of its appeal and justness. I am alone in the wilderness trying to sound a warning that we should not be complacent. We have been brought up to believe that each person has the right to one vote. Thus the thought that some citizens should receive more votes than others is repugnant to most of us.

Leaving aside the moral issue, let us instead analyze the economic and social consequences that flow from this.

Before we begin, let me point out that politicians act like entrepreneurs or businessmen. The only difference is that instead of earning money, they earn votes. The businessman sells a product or service in exchange for dollars. The politician sells himself for votes instead of money. Both will do a market survey of the population and craft strategies designed to appeal to the buyers or voters. To emphasise the similarity of businessmen and politicians, I will from now on refer to politicians as "votreprenuers" or use the two words interchangeably. As a result of the behaviour of votreprenuers, democracy has the following flaws:

1) Democracy produces welfare states

The first thing a votreprenuer will notice in his market survey is that income distribution does not follow a normal distribution. It is skewed to one side. There are, simply put, more poor people than rich people. What this means is that politicians can prosper at the ballot box by proposing redistributive policies. The result is the welfare state and high taxes.

Benjamin Franklin puts it very beautifully and succinctly. He said: 'Democracy is two wolves and a lamb voting on what to have for lunch.' (5)

The welfare state reduces the incentive to work and inhibits entrepreneurial risk-taking. On top of that, labour friendly laws in Europe make it difficult to fire workers, who already have very short working hours compared to Americans and Asians. In some parts of Europe, the debilitating results can be clearly seen. Unemployment in France and Germany is around 10 per cent. Of course, a votreprenuer would not tell the truth to his voters by saying, "Vote for me and you can be lazy because we will get the hardworking taxpayers to support you."

Instead, he would couch his sales speech in a manner that dulls their conscience and makes them feel entitled to use their vote to transfer money from somebody's wallet to their own. This creates a climate of entitlement and dependency which is debilitating. These entitlements help the middle class more than the poor because that is where most of the votes are. In the present system, the centre of gravity of the electorate is Mr Average and this produces mediocre government.

On top of this, dependency on a faceless government has social consequences. It has eroded the ancient relationship between parents and children. For countless generations, parents have depended on their children to provide for them in their old age.

Now they depend on the government. Since children are no longer pension funds as in the past and taxes being so high, people decide to have fewer of them. If you look at the birth rates of Europe and Japan, you will find that they are below replacement levels. Yet the young are still expected to provide for the old! This time the provision is indirect - through the government in the form of higher taxes and welfare payments to the old. As the population in modern democracies ages, and with lower birth rates, it means that a shrinking working population has to support the old.

Would it not be better to cut out the middleman? It would certainly shrink the government bureaucracy if each retired person depended on his children in his old age as in the past. It would give them greater incentive to have more children and to raise them well which would also be beneficial to marriages. It was reported in the Economist in 1988 that less than 1% of American poor consist of people who are married, finished high school and held a job for at least a year. (6) All it takes to stay above the poverty line a a little bit of effort to get an education, be faithful to your spouse and keep a job. In other words, all you need are the old fashioned virtues of diligence, discipline and fidelity to one's spouse.

Nowadays, men find it easy to abandon their wives and children because they know they won't starve. The state will take care of them. This could have contributed to unstable marriages.

At the same time, the votreprenuers also notice that people hate paying taxes. They want benefits from government but don't like contributing money. So to cater for this market, they will promise tax cuts. The results are budget deficits and soaring public debt.

If you look at the statistics, most of the OECD governments have huge budget deficits. (1) As a whole, the OECD is running a combined budget deficit amounting to a tad shy of 4 per cent of GDP. Much of it comes from the US which has a budget deficit of about 5 per cent of GDP.

Japan is even worse at more than 6 per cent of GDP. Some economists have been warning of economic collapse if something is not done. Sometimes, politicians would inflate the money supply to pay for their deficit spending, resulting in inflation. Other times, they would resort to government borrowing which results in higher interest rates. Should there be an economic crash resulting in massive unemployment or high inflation, confidence in democracy will plummet. Then people will be ready to put power in the hands of a dictator. That was one reason why Hitler got into power.

2) Democracy produces short-term thinking

The second thing votreprenuers notice is that they face elections once every four or five years. This means that they cannot afford to take a long term view of things. Politicians know that their time in office is limited. To stay in office, they come up with policies that are popular in the short run even though they know are disastrous in the long run. I am sure you have heard of the saying, "No pain, no gain."

Democracies are incapable of delivering short term pain for long term gain. They tend to do the opposite, ie, deliver short term gain at the expense of long term pain. The growing government debt in the US and other democracies is a good example of this. To satisfy this present generation of voters, politicians are making future generations pay the bill. The unborn of course cannot vote. The result of one man one vote is higher taxes, interest rates, inflation rates and government spending.

Part of the problem is that there is a misalignment between the personal interests of the politicians with that of the country as a whole. The votrepreneuers want to get elected by hook or by crook. Sometimes, the policies he promotes are damaging in the long term even though popular in the short term. Of course, eventually, the chickens will come home to roost some day, but he won't be in office by then!

If you ask me, I think the monarchies of the 19th century Europe were better macroeconomic managers than the democratically elected politicians of the 20th century. Statistics show that interest rates, taxes and inflation were on the whole lower. So was government debt as a share of the GDP. (2)

The reason is simple. The monarchs and nobles were confident of being in power for the rest of their lives and they wanted their sons to inherit the thrones of prosperous countries. So they tended to think more for the long term. It should also be added that most of the European monarchs of that era did not have absolute power and had to cater to popular opinion. If they provoke them too much, they will lose their heads - literally like Louis XVI.

This balance between royal prerogatives and popular pressure gave rise on the whole to better macroeconomic management. The former gave a long term perspective to decision making and the latter checked the power of the monarchs, preventing Saddam Hussein type leaders from emerging.

3) Democracy has a tendency to divide people

For votreprenuers to win power, they must at least pretend to fight for the market segments of voters that they deem are sufficient to secure victory on election day. Some will fight for one ethnic group or the other. Others fight for different income groups. Some try to court the lower income vote by promising unemployment benefits while others fight for the higher income groups by promising tax cuts.

Still others court the elderly voters. Then there are the social issues. Some are conservative and religious while others are secular and liberal. Thus we see rich pitted against the poor, liberals against the conservatives and racial groups against each other. There is no incentive for a votreprenuers to take an overall view for the good of the country as a whole. He is constrained by his need for re-election to satisfy his voting base that sent him to office. The people will develop a 'me first' mentality without thinking about the good of the country as a whole.

Antagonism between economic classes and different ethnic groups can be exploited and turned into votes for the votreprenuers. Instead of cooling the passions of the people, they are more likely to fan them so as to pose as their champions.

Often these lead to riots. In France this year, there were two riots - one economic in nature and the other racial though there was some overlap. In the first riot, people were protesting a new French law making it easier for employers to fire young workers on probation.

The second riot was racial and religious in nature. Ethnic North Africa minorities who are Muslim rioted for many days. Race, language and religion divide people into groups. The presence of each element increases tension. Tensions are at their greatest if all three elements are different between two groups and lowest if only one is present between two different groups.

But whether the tension level is high or low, it needs to be managed.

But instead of managing tensions, votreprenuers heighten them to win votes. Hitler won votes and power by unfairly blaming the Jews for Germany's problems. When dictator Tito was in power, Yugoslavia was in one piece with ethnic tensions well managed. But when democracy came to Yugoslavia, politicians posed as champions for their own ethnic groups by fanning grievances and demonising others. The result was a civil war.

Summing up, democracy suffers from three weaknesses - its penchant for redistributive policies, short-term thinking and ethnic discord. These weaknesses are already present in varying degrees in most mature democracies of the western world. At present, none are in danger of collapse. But as time goes by, the danger will grow.

In the case of America, there is a huge budget deficit that threatens to destabilise not only its economy but also the world economy, given America's share of the world GDP. Its growing minorities, both legal and illegal, have the potential to create discord if ethnic tensions are not properly managed.

But it is the Socialist countries like France -- with their combination of redistributive policies and ethnic tensions created by short-term thinking politicians -- that are in greatest danger of a collapse of democracy. France has a Muslim population amounting to 10 per cent of its total population. The Muslims are of a different race, speak a different language and have a different religion than the other Frenchmen.

This makes the problem more serious than, say, the ethnic tensions between blacks and white in America where the only difference is one of race. Also, France has an unemployment rate of 10 per cent, with many of the unemployed being Muslims. The recent riots may be the first shots of a civil war. The day may not be far off for a French version of Adolf Hitler as ethnic tensions increase.

I foresee that European Muslims will within in the next 20 years demand autonomous regions in cities where sharia law rules. This will provoke the "classical" Europeans who feel their way of life being threatened and there will be a backlash. The people will fall prey to racists groups who of course will promise to defend their way of life. While it took a long time for Europeans to learn to settle their differences peacefully through the ballot box, this important lesson is slowly being unlearned. The lesson learned from the Danish cartoon affair is that violence pays.

Most western governments caved in by issuing apologies or condemning the cartoons instead of defending free speech. Soon groups that oppose immigration will turn to violence too. If European democracies cannot manage their ethnic tensions, democracy will break down, ushering in dictatorial rule.

How then should democracy be reformed? We must build a system that balances popular demands with long term thinking. There must also be a system that matches the right to vote with the amount of contribution the voter makes to society. If this sounds elitist, then I am in good company.

The early founding fathers of America were elitist too, especially men like Alexander Hamilton. They restricted voting to those with property, who were then the educated part of the population and who probably paid most of the taxes. Being men of property, they had a stake in the country's long term future and could be relied on to take a longer term view. Even as late as 1824, only 5 per cent of adult Americans could vote in the Presidential elections. (4)

Don't get me wrong. I am not advocating restricting voting to rich people. But I do advocate striking a proper balance between competing needs. I have thought out some reforms which I believe will improve the situation.

Firstly, I propose that the Senate or Upper House be comprised of people that are elected for life and their personal interests be more closely aligned with that of the nation. Once made a Senator, he is no longer subjected to popular pressures that produce short term thinking. The Senator can only be removed if he commits a crime or is incapacitated. The House of Representatives will continue as before and its members be subjected to periodic elections.

The elected Senators should be paid in accordance to his 'market rate'. This effectively means he should be paid the income he has to forgo as a result of going into politics. Salaries will be adjusted for economic growth. Bonuses will be given if certain economic benchmarks (eg unemployment, inflation, GDP growth) are attained. These benchmarks

can be reviewed once every 10 years, say.

To further ensure long term thinking, his salary will continued to be paid into his estate for 10 years after his demise.

By making the Senate a life-time job, we ensure a balance between short term demands of the electorate and long term needs. We ensure a balance between the voters of today with the voters yet to be born. Our huge budget deficits and government debt is putting a burden on future generations who have no vote at present. It is unfair to saddle them with so much debt. Present voters are effectively taxing their children and grandchildren so that they can enjoy a profligate lifestyle.

The second proposal I have is that we make the vote transferable to other citizens. Each voter can buy or sell votes through an electronic marketplace for votes. The logic is like this. Votreprenuers are already buying votes with taxpayers' money by promising all sorts of government programs that will benefit this or that constituency. Why not allow the voters to do it directly without going through the middleman? Why can't voters buy votes when politicians are already doing that, in effect?

There will still be redistribution of income from the haves to the have-nots but without going through an often inefficient government bureaucracy. There will be tax savings from cutting out the middleman. This is what I think will happen in practice: The higher-income groups will end up with more votes since they have money to spend. But so will groups passionate about certain causes.

They will use the votes to curb government spending and lower taxes to benefit themselves. They will also balance the budget because they know it is unsustainable and eventually ruinous to their stock and bond portfolios.

But the have-nots will be compensated with cash. After some trial and error, a balance will be reached in which the losses from government entitlement programs will be approximately equal to the sales proceeds of their votes. Without welfare spending, welfare bums will have more incentive to look for jobs and improve their skills - even after selling their votes.

It is time to subject the electoral process to some sort of market discipline which my proposal will allow. The end result is that the balance of power tilts more towards the above average. These members of society who for usually good reasons are better educated, more successful and generate more GDP per head.

They also are people who are more talented, more diligent, more focused on the long term. Successful people also tend to have more stable marriages. Under the present system, people who are more disciplined, contribute more to the country and work harder are taxed more to help those more indolent, more irresponsible and contribute less.

Under the present system, votreprenuers have electoral incentives to market their services to another group of people - the old. Under the present system, retirees are supported by the state. In the US you have Social Security. This means that you no longer need your children to support you in your old age. The state will support you. In other words, you are relying on other people's children to support you.

But everybody has the same idea of relying on other people's children. Those who take the effort and money to raise good productive citizens are doing it for the benefit of others. They will be paying into Social Security and supporting some faceless strangers. The end result is that couples have fewer children and you end up with fewer working people to support retirees. This is happening not just in the US but also in other democracies.

It violates the millennium old practice of relying on our own offspring for our old age. It also violates a very good principle - you should be rewarded based on your own efforts. Relying on your own children for your old age may also have a beneficial effect on marriages as people have a financial incentive to maintain a harmonious household to raise their kids - since their own kids are their Social Security. People will think three times before they cheat on their spouses as this will endanger their marriages.

Under the present system, people who are very passionate with their issues and people who are apathetic on the issues have one vote each. Under my proposed changes, those who believe passionately in their issues be it the environment or abortion can pay for more votes.

People who are passionate on the issues tend to be better informed since they have done sufficient research and would vote more wisely than those who are apathetic on the whole electoral process. Even in an US Presidential election, usually less than 70% of eligible voters bother to vote. Those not interested might as well sell their vote to those who are interested. This proposal, I believe will shift the centre of gravity of the electorate to Mr Above Average, which should produce more intelligent government.

The third proposal is that the President's term of office be increased to a single term of eight years. This would free him from the need to seek re-election and permits him to think long term. Without worrying about re-election, it is in his self interest to ponder what history will say of him and this will result in better decision making.

To sum up, we should not become complacent about democracy's future. There are long festering and growing economic and ethnic problems which short term thinking votreprenuers cannot solve. With the rise of India and China (with their hardworking cheap labour), it is quite clear that the welfare state in Europe and to a lesser extent in America cannot be sustained.

The rising tide of Muslim immigrants in Europe who refuse to assimilate and adopt the culture of the host countries adds to the problems. A combination of economic hardships and ethnic tensions set the stage for the collapse of democracy and the emergence of another Strong Man, another Hitler perhaps. I am sure nobody wants to see that happen. We should fix the problems while there is still time. But I am not optimistic. To solve these problems requires long term solutions and invariably short term pain which democracies cannot deliver.

Sources:

1. http://www.budget.gov.au/2004-05/overview/html/overview_main-03.htm
2. See the book, "Democracy: The God that failed."
3. There is currently a challenge from radical Islamism, whose proponents want to organise human society based on Islam. This can cause horrendous bloodshed and must be taken seriously, but at the moment its supporters are confined to a minority of the Muslim population, albeit a large minority.
4. See the book, "The Future of Freedom".
5. <http://www.quotedb.com/quotes/1900>
6. See page 221 of the book, "The Politically Incorrect Guide to American History".

Comments: LoneStranger:

While I admire your fervour for prolonging a dying country, I think you have to accept the ultimate truth that it *is* a dying country. Like all things living, countries have a finite life span, and they too must cease to exist. In the case of America, the argument could easily be made that it ceased to exist in its intended form a long time ago. What we have now is an America that resembles its former self in appearance only, and even that is

stretching it.

The sad truth is that the people who today proudly call themselves Americans would run and hide from the level of freedom enjoyed by the earliest inhabitants of the states. We are so conditioned to accept what the founders would have abhorred that, much like Brooks in *The Shawshank Redemption*, we would rather kill ourselves than taste freedom.

Democracy, Republic, democracy, republic. It doesn't matter what name you give it or whether you capitalise the word. That is merely semantics. What matters is when the ball got rolling because the lives of nations are etched on a wheel. There is a point where they begin and a point where they end. Granted, those points are not always easily defined, particularly when it comes to the end. After all, no one enjoys celebrating the end of something loved. But the freedom enjoyed at the beginnings of this country will never be enjoyed again by its citizens. The wheel has started turning. The end will most likely be beyond any of our lifetimes, but it is coming.

Man enjoys all manner of rights. Governments are instituted to protect those rights. Unfortunately, all governments operate under the greedy guise of helpers when the wolves in sheeps' clothing (votreprenuers) are really about solidifying their own power. This is done through the usurpation of the peoples' rights.

All rights exist in the ether, and all belong to the people. When the people enter into a government, they voluntarily set aside a portion of those rights for the good of society. The trouble is not that the balance never stays the same. The trouble is that the flow of rights only happens from one side to the other. (I'll let you guess which direction that is and where they are being stockpiled right now.)

Ever read *The Firm*? In that story, the shady law firm throws money at new associates and gets them accustomed to the good life for a few years before they tell them the truth about the dishonest business dealings. That's how we've gotten hooked as well. We're comfortable with the way things are regardless of how much we kick and scream about the gov'mint, and the votreprenuers know this. They know they can continue to slowly chip away at our freedoms with our permission and in front of our very eyes as long as they allow us the comfort of the *illusion* of freedom.

It will continue this way because there cannot be a net gain in rights for us. We started with all of them. The best we can hope for, and the position you seem to take, is that we can reach a happy medium whereby we reach a steady state of no net loss. But governments are tricky by their very nature. As you point out, democracy thrives on short-term thinking. I'd refine that statement further to say that *government* thrives on short-term thinking. Government rewards the connivers and cheats, making it far unlikely that we can ever beat them at the game of who gets to keep the rights.

Therefore, we're faced with a dilemma. The government is a politically capitalist entity. And despite our best efforts, we cannot match its efficiency because we designed it to be ruthless in order to stave off all manner of external and internal attacks. Unfortunately, in our haste to craft an unbeatable system, we placed ourselves outside the wall. The citizens of America have reached the point where we no longer can control the behemoth.

That's why I believe you're off base with attempting to salvage the current system. It's like trying to put toothpaste back into the tube. What we're faced with, and what most people will probably never acknowledge because it threatens their illusion of America, is the realisation that we cannot turn back the rolling wheel. It will continue to roll, and the best we can hope for is to slow its acceleration toward death.

2.104 Future deportations of Muslims from Europe

"It's difficult to discuss deportation of Muslims openly in a society where it is not even allowed to discuss Islam..."

The reason why authors on the Eurabia related issues/Islamisation of Europe - Fjordman, Spencer, Ye'or, Bostom etc. aren't actively discussing deportation is because the method is considered too extreme (and thus would damage their reputational shields). This would undoubtedly undermine their work and probably disallowing them to publish any future books. However, the warning about Islam has been repeated for more than two decades and it is apparent that 40 more years of dialogue, without action, would have a devastating effect on Europe. If these authors are too scared to propagate a conservative revolution and armed resistance then other authors will have to.

Historical deportations from Europe

Greece - Muslim Cham Expulsion in 1944[3]

Following the conquest of Greece by Nazi Germany, the Italians, whose zone of occupation included Epirus, recruited a large number of Muslim Cham citizens to assist them. During the occupation, a significant number of Muslim Chams were responsible for atrocities against ethnic Greeks, supporting the realisation of a Greater Albania.

Cham Muslims alongside the Wehrmacht (NS Germany) also played a key role in the Holocaust in Greece, rounding up 2000 Greek Jews and sending them to Auschwitz and Birkenau.

After WW2, 25 000 Muslim Albanian Chams were deported from Greece (Chameria). These people were descendants of Cham "beys" (Muslim feudal lords under the Islamic Ottoman Empire) who had earlier confiscated much land from their non-Muslim subjects.

Deportation of Muslims from Israel

According to Israeli Professor Martin Van Creveld at the Hebrew University in Jerusalem and military historian:

"The Palestinians should all be deported. The people who strive for this (the Israeli government) are waiting only for the right man and the right time. Two years ago, only 7 or 8 per cent of Israelis were of the opinion that this would be the best solution, two months ago it was 33 per cent, and now, according to a Gallup poll, the figure is 44 percent."

Creveld said he was sure that Israeli Prime Minister Ariel Sharon wanted to deport the Palestinians.

"I think it's quite possible that he wants to do that. He wants to escalate

the conflict. He knows that nothing else we do will succeed."

Asked if he was worried about Israel becoming a rogue state if it carried out a genocidal deportation against Palestinians, Creveld quoted former Israeli Defence Minister Moshe Dayan who said "Israel must be like a mad dog, too dangerous to bother."

Creveld argued that Israel wouldn't care much about becoming a rogue state.

"Our armed forces are not the thirtieth strongest in the world, but rather the second or third. We have the capability to take the world down with us. And I can assure you that this will happen before Israel goes under."

Source:

<http://www.sweetliberty.org/issues/israel/destroycaps.html>

Deportation as the only alternative (Kosovo, Israel illustration)

A state that is much interested in the Kosovo precedent and history is Israel. Up to 1987, Tel-Aviv controlled the situation in the West Bank and Gaza, having being victorious in five consecutive wars against its Arab neighbours. The start of the first Intifada, the population explosion of the Muslim Arabs, the dramatic appearance of international Jihad, and the relative decline of the Western (European) support to Israel poses a strategic-survival dilemma to the Israeli policy makers:

Should they try to push towards a conciliation approach towards the Palestinians and decide for a low key strategy against them; or to oppose all calls for bargain and form a strategy of a total war? That was the same dilemma the Serbians reached in the early '90's. They first used tactic number one and it failed. The second option was barely begun to be implemented in late 1998 and would have yielded total success had it not been for the NATO air campaign in 1999. Note however that Kosovo is a province of the Serbian state therefore in contrast with the Israelis the Serbians are not in fear of "Being driven to the sea". One certain conclusion is that countries such as Israel will invest considerable intellectual capacity in making concrete analysis based on Kosovo's recent history.

Kosovo marks the first definite victory of European Islam since the occupation of the island of Crete by the Ottomans in 1669. The difference was that then all the major European powers fought in unity.

Historical examples of deportation:

1. Population transfer (deportations) in the Soviet Union[1]

Population transfer in the Soviet Union may be classified into the following broad categories: deportations of "anti-Soviet" categories of population, often classified as "enemies of workers", deportations of nationalities, labour force transfer, and organised migrations in opposite directions to fill the ethnically cleansed territories. In most cases their destinations were under-populated remote areas, see involuntary settlements in the Soviet Union. This includes deportations to the Soviet Union of non-Soviet citizens from countries outside the USSR.

Date of transfer	Targeted group	Approximate numbers	Place of initial residence	Transfer destination	Stated reasons for transfer
April 1920	Cossacks, Terek Cossacks	45,000	North Caucasus	Ukrainian SSR, northern Russian SFSR	"Decossackisation", stopping Russian colonisation of North Caucasus
1921	Cossacks, Semirechye Cossacks		Semirechye	Extreme North, concentration camps	"Decossackisation", stopping Russian colonisation of Turkestan
September 1922	"Socially dangerous elements"	18,000	Western border regions of Ukraine and Belarus	Western Siberia, Far East	Social threat
1930–1936	Kulaks	2,323,000	"Regions of total collectivisation", most of Russia, Ukraine, other regions	Northern Russian SFSR, Ural, Siberia, North Caucasus, Kazakh ASSR, Kyrgyz ASSR	Collectivisation
November–December 1932	Peasants	45,000	Krasnodar Krai (Russia)	Northern Russia	Sabotage
1933	Nomadic Kazakhs	200,000	Kazakh SSR	China, Mongolia, Iran, Afghanistan, Turkey	
February–May 1935	Ingrian Finns	30,000	Leningrad Oblast (Russia)	Vologda Oblast, Western Siberia, Kazakh SSR, Tajik SSR	
February–March 1935	Germans, Poles	412,000	Central and western Ukrainian SSR	Eastern Ukrainian SSR	
May 1935	Germans, Poles	45,000	Border regions of Ukrainian SSR	Kazakh SSR	
July 1937	Kurds	2,000	Border regions of Georgian SSR, Azerbaijan SSR, Armenian SSR, Turkmenian SSR, Uzbek SSR, and Tajik SSR	Kazakh SSR, Kyrgyz SSR	
September–October 1937	Koreans	172,000	Far East	Northern Kazakh SSR, Uzbek SSR	
September–October 1937	Chinese, Harbin Russians	9,000	Southern Far East	Kazakh SSR, Uzbek SSR	
1938	Persian Jews	6,000	Mary Province (Turkmen SSR)	Deserted areas of northern Turkmen SSR	
January 1938	Azeris, Persians, Kurds, Assyrians	n/a	Azerbaijan SSR	Kazakh SSR	Iranian citizenship
February–June 1940	Poles (including refugees from Poland)	276,000	Western Ukrainian SSR, western Byelorussian SSR	Northern Russian SFSR, Ural, Siberia, Kazakh SSR, Uzbek SSR	
July 1940	"Foreigners" / "Other ethnicities"	n/a	Murmansk Oblast (Russia)	Karelo-Finnish SSR and Altai Krai (Russia)	

May–June 1941	"Counter-revolutionaries and nationalists"	107,000	Ukrainian SSR, Byelorussian SSR, Moldavian SSR, Estonian SSR, Latvian SSR, Lithuanian SSR	Siberia, Kirov (Russian SFSR), Komi (Russian SFSR), Kazakh SSR	
September 1941 – March 1942	Germans	More than 780,000	Povolzhye, the Caucasus, Crimea, Ukraine, Moscow, central Russia	Kazakhstan, Siberia	
September 1941	Ingrian Finns, Germans	91,000	Leningrad Oblast (Russia)	Kazakhstan, Siberia, Astrakhan Oblast (Russia), Far East	
1942	Ingrian Finns	9,000	Leningrad Oblast (Russia)	Eastern Siberia, Far East	
April 1942	Greeks, Romanians, etc.	n/a	Crimea, North Caucasus	n/a	
June 1942	Germans, Romanians, Crimean Tatars, Greeks with foreign citizenship	n/a	Krasnodar Krai (Russia)	n/a	
August 1943	Karachais	70,500	Karachay-Cherkessia	Kazakhstan, Kyrgyzstan, other	Banditism, other
December 1943	Kalmyks	93,000	Kalmykia	Kazakhstan, Siberia	
February 1944	Chechens, Ingushes, Balkars	522,000	North Caucasus	Kazakhstan, Kyrgyzstan	1940-1944 insurgency in Chechnya
February 1944	Kalmyks	3,000	Rostov Oblast (Russia)	Siberia	
March 1944	Kurds, Azeris	3,000	Tbilisi (Georgia)	Southern Georgia	
May 1944	Balkars	100	Northern Georgia	Kazakhstan, Kyrgyzstan	
May 1944	Crimean Tatars	1,000,000	Crimea	Uzbekistan	
May–June 1944	Greeks, Bulgarians, Armenians, Turks	42,000	Crimea	Uzbekistan (?)	
May–July 1944	Kalmyks	26,000	Northeastern regions	Central Russia, Ukraine	
June 1944	Kalmyks	1,000	Volgograd Oblast (Russia)	Sverdlovsk Oblast (Russia)	
June 1944	Kabardins	2,000	Kabardino-Balkaria	Southern Kazakhstan	Collaboration with the Nazis
July 1944	Russian True Orthodox Church adherers	1,000	Central Russia	Siberia	

August–September 1944	Poles	30,000	Ural, Siberia, Kazakhstan	Ukraine, European Russia	
November 1944	Meskhethian Turks, Kurds, Hamshenis, Karapapaks	92,000	Southwestern Georgia	Uzbekistan, Kazakhstan, Kyrgyzstan	
November 1944	Lazes and other inhabitants of the border zone	1,000	Ajaria (Georgia)	Uzbekistan, Kazakhstan, Kyrgyzstan	
December 1944	Members of the Volksdeutsche families	1,000	Mineralnye Vody (Russia)	Siberia (according to other sources Tajikistan)	Collaboration with the Nazis
January 1945	"Traitors and collaborators"	2,000	Mineralnye Vody (Russia)	Tajikistan	Collaboration with the Nazis
May 1948	Kulaks	49,000	Lithuania	Eastern Siberia	Banditism
June 1948	Greeks, Armenians	58,000	The Black Sea coast of Russia	Southern Kazakhstan	For Armenians: membership in the nationalist Dashnaksutiun Party
June 1948	"Spongers" ("тунеядцы")	16,000	n/a	n/a	"Social parasitism"
October 1948	Kulaks	1,000	Izmail Oblast (Ukraine)	Western Siberia	
March 1949	Kulaks	94,000	Latvia, Lithuania, Estonia	Siberia, Far East	Banditism
May–June 1949	Armenians, Turks, Greeks	n/a	The Black Sea coast (Russia), South Caucasus	Southern Kazakhstan	Membership in the nationalist Dashnaksutiun Party (Armenians), Greek or Turkish citizenship (Greeks), other
July 1949 – May 1952	Kulaks	78,400	Moldavia, the Baltic States, western Belarus, western Ukraine, Pskov Oblast (Russia)	Siberia, Kazakhstan, Far East	Banditism, other
March 1951	Basmachis	3,000	Tajikistan	Northern Kazakhstan	
April 1951	Jehovah's Witnesses	3,000	Moldavia	Western Siberia	

2. Russia wanted to deport the Muslims in Eastern Europe but was confronted and stopped by the United Kingdom and others.

After the Russo-Turkish War, Russia wanted to deport the Muslim Albanians (they had historically referred to themselves as Turks) and take back Constantinople. During the Congress of Berlin - Russia presented 61 articles. At this time, Russia was in a weakened state militarily after the long war with the Ottoman Empire. Britain secretly agreed with the Ottoman Empire that it would militarily protect it from Russia and receives Cyprus in exchange. Disraeli therefore reversed article 16 to 61.

3. The Beneš decrees – The deportation of Germans from Czechoslovakia (1940-45)[2]

It is possible that those Western countries where the infidels are strong enough will copy the Benes Decrees from Czechoslovakia in 1946, when most of the so-called Sudeten Germans, some 3.5 million people, had shown themselves to be a dangerous fifth column without any loyalty to the state. The Czech government thus expelled them from its land. As Hugh Fitzgerald of Jihad Watch has demonstrated, there is a much better case for a Benes Decree for parts of the Muslim population in the West now than there ever was for the Sudeten Germans.

4. The Bărăgan deportations[3]

The **Bărăgan deportations** were a large-scale action of penal transportation, undertaken during the 1950s by the Romanian Communist regime. Their aim was to forcibly relocate individuals who lived within approximately 25 km of the Yugoslav border (in present-day Timiș, Caraș-Severin, and Mehedinți counties) to the Bărăgan Plain.

The plans involved, as was later discovered in a document written in Timișoara in 1956, the "purification of the Banat": the ethnic cleansing of Germans, Serbs and Aromanians. Additionally, the plans involved the expulsion of members of several social categories considered dangerous by the Romanian Communist Party. Among the targets were farmers with large holdings (known as *chiaburi*, and roughly equivalent to the Soviet *kulaks*), wealthy landowners, industrialists, innkeepers and restaurant owners, Bessarabian and Macedonian refugees, former members of the Wehrmacht, foreign citizens, relatives of the refugees, Titoist sympathisers, wartime collaborators of Nazi Germany (see *Romania during World War II*), Romanian Army employees, fired civil servants, relatives of counter-revolutionaries and all who had supported them, political and civic rights activists, former businessmen with Western ties, and leaders of the ethnic German community.

Further studies on deportations:

<http://en.wikipedia.org/wiki/Category:Deportation>

1. http://en.wikipedia.org/wiki/Population_transfer_in_the_Soviet_Union
2. http://en.wikipedia.org/wiki/Benes_Decrees
3. http://en.wikipedia.org/wiki/Baragan_deportations

5. Expulsion of the Moriscos from Spain[1] (Muslim converts to Christianity)

Spain deported approximately 315 000 Moriscos to Northern Africa in the period 1609-1614.

I would strongly recommend anyone to study the Morisco expulsion as it covers many essential issues.

1. http://en.wikipedia.org/wiki/Expulsion_of_the_Moriscos

2.105 Change of investment/education mentality in the coming decades

Future food supply is essential

Most people underestimate the impact of high population vs. food supply. Being dependant on too much food import is extremely risky and can prove to be catastrophic for certain densely populated countries in a future scenario. Britain will have approximately 70-80 million citizens in phase 2/3 of the civil war. If logistics fail for various reasons millions might starve to death. Food hunger and starvation will likely result in totally anarchy in certain areas of the country.

Cultural conservatives should take precautionary steps and consider and reassess the long term goals of your investment and educational strategy. Being a potato farmer might be unattractive now but is likely to be extremely useful in the future. When the financial system breaks down (and they will) you will always be able to barter if you have access to primary commodities.

Deevaluation of educational strategies

A multitude of educations will have little value under given circumstances. Still, I don't think it will happen within 20 years. Marseilles or Brussels would be the first "epicentre" for a civil war in a couple of decades most likely. If the multiculturalist governments implement enough countermeasures they can keep stability going for up to five decades. Communist Russia had severe problems already in the 50s but managed to keep it going until 1991 (41 years). The last 20 years before the collapse the population were victim of strict indoctrination and censorship.

There are certain parallels to the current trend of "media blackouts" concerning Muslim riots in European metropolitans and punitive measures taken against anyone criticising the current system model (cultural conservatives). EU will become a lot more totalitarian the next decades before it eventually crashes.

In any case, I give the Western European system model 30-70 years maximum before at least some of them implode.

Shifting our investment mentality from stocks/currency/bonds/real estate etc. to commodity would also be a pragmatcal approach in the decades to come.

It's really hard to predict as we do not yet know the shape or form of the coming phase 2 and 3 war. Full blown civil war may last for up to 10-20 years. Alternatively, it could also be a swift coup, ending the war in days with limited impact on infrastructure and flow of resources.

The worst investment will without a doubt be anything relating to property and any investment in Muslim countries. Millions of Muslims will be deported in the future resulting in a crash and complete meltdown in the real estate market. Prices will be reduced by as much as 90% as there will be hundreds of thousands of vacant housing units in many European cities. My advice to all cultural conservatives now (2010) is therefore to steer away from real estate, stock market investments and investments in Muslim countries altogether and rather invest in commodity. The US is already bankrupt, they just don't know it yet. They will bring the EU economy down with them.

Stock/option tips for the future:

As a general rule, stay away from stocks. But if nevertheless are planning to invest then focus on the following areas:

Anything military/security related (guns, body armour, war supplies, security etc)
Transport sector – truck companies, railway, shipping (bulk, tank etc). Transport rates will go through the roof as they do in all wars. However, many transport units always face the risk of expropriation from national governments/militaries.
Coca Cola and similar companies have traditionally been “crisis proof”.
Farming/food production related companies.

Worst case scenario:

Alternative investments for the future (items that have little value today but will increase in value)

- Guns – everything from assault rifles, ammo, grenades and mines.
- Body armour
- Fortified rural compounds with large rations of food/water
- Survival gear – including survival books, kits, fishing gear, basic farming equipment
- Farms with focus on high calorie products
- Automobiles with limited high tech electronics (standard diesel engines)

Educations for the future

- Agriculture
- Any education with practical implementation - carpentry, car mechanic, medicine, gun smith etc.
- Military/police/security educations

2.106 The ideological journey – from indoctrinated multiculturalist zealot to Conservative Revolutionary

Our ideological journey starts with our very first experiences in the world which contributes to shape our perception of reality, of justice and of liberty.

When I first started on this compendium more than three years ago I had already decided to only cover issues relating to Islamisation and mass-Muslim immigration out of the fear of being labeled as a racist. I have always been terrified of the prospect of being labeled as a racist, to such a degree that I have put significant restrictions on myself, not only verbally but concerning all aspects of my social image. And I know this is the case for a majority of Europeans. I would say I have allowed myself to be paralyzed by this fear. I was inclined not to bring up WW2, the relevance of ethnicity or mention the word race at all.



Unfortunately for me, I found out through the years of research and study that everything is connected. Our present situation is a direct result of WW2 and the cold war, of the so called Frankfurt school and the rise of cultural Marxism/multiculturalism and political correctness. We cannot ignore the relevancy of these doctrines and we are forced to reflect on these issues if we are to have a meaningful discussion. We are forced to bring up all the taboos and reassess all the current "accepted truths".

If I had met myself 12 years ago I would probably think I was an extreme and paranoid nut, who believed in conspiracy theories:

"Our school institutions are brainwashing us and our media are systematically lying to us you say? Lol, you're, paranoid! Get a grip."

All patriots sometimes feel like that guy in the Matrix who wants to go back into his pod, and pretend he never learned the truth. It would be better wouldn't it? At least for a short while, but then again, my children would have hated me for my cowardice a few decades down the road as THEY would have been forced to suffer due to my cowardice.

The thing is that many of our political and cultural elites, including politicians, NGO leaders, university professors/lecturers, writers, journalists and editors – the individuals making up the majority of the so called category A and B traitors, knows exactly what they are doing. They know that they are contributing to a process of indirect cultural and demographical genocide and they need to be held accountable for their actions. The truth needs to come out. We are in the very beginning of a very bloody cultural war, a war between nationalism and internationalism and we intend to win it. We will not allow the EUSSR elites to deconstruct everything European nor to sell the peoples of Europe into Muslim slavery. Islam WILL be thrown out of Europe for a third time and the Marxist, humanist and globalist traitors who colluded with the Ummah will be held accountable for their treason. We, the cultural conservatives, will not be able to determine our own future until we seize political and military power in our own countries. The only way of achieving this is to take individual responsibility and to contribute to create more resistance fighters by spreading the truth. Spreading the truth in an efficient way will speed up the ideological journey (the ideological maturity process/ideological confidence level) for mainstream Europeans. People must learn to overcome their fears and stand up for their beliefs. Our survival depends upon it.

2.107 Further studies

Dispatches - Undercover Mosque (Channel 4, London, UK)

Obsession- radical Islam's war against the west

Obsession - part 1	http://www.youtube.com/watch?v=gMLJJEDDDGc
Obsession - part 2	http://www.youtube.com/watch?v=6Bev054pNzI
Obsession - part 3	http://www.youtube.com/watch?v=1bJE6bIiXps
Obsession - part 4	http://www.youtube.com/watch?v=J61r-NRHPTQ
Obsession - part 5	http://www.youtube.com/watch?v=3jwL_GefwUE
Obsession - part 6	http://www.youtube.com/watch?v=l17LmCEp1QI
Obsession - part 7	http://www.youtube.com/watch?v=IYR5F3mbQ-4
Obsession - part 8	http://www.youtube.com/watch?v=TLXZpOG4VCI
Obsession - part 9	http://www.youtube.com/watch?v=QDPzPgkr4vk
Obsession - part 10	http://www.youtube.com/watch?v=lioOCOalPao

Fjordman's book tips

I could also recommend some books that people should read.

About Islam I recommend essentially everything written by Robert Spencer. Bat Ye'or's books are groundbreaking and important, though admittedly not always easy to read. The Legacy of Jihad by Andrew Bostom should be considered required reading for all those interested in Islam. It is the best and most complete book available on the subject in English, and possibly in any language. Ibn Warraq's books are excellent, starting with his Defending the West . Understanding Muhammad by the Iranian ex-Muslim Ali Sina is also worth reading, as is Defeating Jihad by Serge Trifkovic.

If you are looking for books about the history of science, I recommend everything written by Edward Grant. The Beginnings of Western Science by David C. Lindberg is very good, though slightly more politically correct than Grant when it comes to science in the Islamic world. The Rise of Early Modern Science: Islam, China and the West by Toby E. Huff is excellent and highly recommended. These books are easy to read for an educated, mainstream audience.

For books that are excellent, yet more specialised and slightly more difficult, I can recommend Victor J. Katz for the history of mathematics and The History and Practice of Ancient Astronomy by James Evans for the history of pre-telescopic astronomy up to and including Kepler. Evans' book is extremely well researched and detailed, almost too much so on European and Middle Eastern astronomy, but contains virtually nothing on Chinese or Mayan astronomy. For a more global perspective, Cosmos: An Illustrated History of Astronomy and Cosmology by John North is good and not too difficult to read (Fjordman's tips).

Islamisation of Europe and Policies to Prevent It

Part 1: A theory of the Islamisation process in European countries

<http://www.islam-watch.org/NoSharia/PreventEuropeIslamization1.htm>

Part 2: A Theory of Policies and Laws That Prevents Islamisation of a Country - An Integrated Approach

<http://www.islam-watch.org/NoSharia/PreventEuropeIslamization2.htm>

Part 3: Reformation of Islam and Various Law and Policy Issues

<http://www.islam-watch.org/NoSharia/PreventEuropeIslamization3.htm>

Part 4: Policy Area 4: Religious Freedom And Its Limits

<http://www.islam-watch.org/NoSharia/PreventEuropeIslamization4.htm>

Part 5: Policy Area 5: Human Rights Issues

<http://www.islam-watch.org/NoSharia/PreventEuropeIslamization5.htm>

Part 6: Policy Area 6: The Policy Of Assimilation or Integration?

<http://www.islam-watch.org/NoSharia/PreventEuropeIslamization6.htm>

Part 7: Policy Area 12: Foreign Policy, Part A

<http://www.islam-watch.org/NoSharia/PreventEuropeIslamization7.htm>

Part 8: Policy Area 12: Foreign Policy, Part B

<http://www.islam-watch.org/NoSharia/Prevent-Europe-Islamization8.htm>

Part 9: Policy Area 12: Security Policy, Part C

<http://www.islam-watch.org/NoSharia/Prevent-Europe-Islamization9.htm>

Part 10: Policy Area 8: Rules for Visas, Immigration and Citizenship

<http://www.islam-watch.org/NoSharia/Prevent-Europe-Islamization10.htm>

Marxism - Cultural and otherwise

The Origins of Political Correctness

<http://www.academia.org/lectures/lind1.html>

Political Correctness — The Revenge of Marxism

<http://gatesofvienna.blogspot.com/2006/06/political-correctness-revenge-of.html>

George Orwell - Pacifism and the War

http://www.orwell.ru/library/articles/pacifism/english/e_patw

A History of Medicine in the Islamic World. -- Part 1

<http://www.brusselsjournal.com/node/3251>

A History of Medicine, part 2

http://atlasshrugs2000.typepad.com/atlas_shrugs/2008/06/fjordman-a-hist.html

A History of Medicine, Part 3

<http://europenews.dk/en/node/15343>

A History of Medicine, Part 4

<http://gatesofvienna.blogspot.com/2008/11/history-of-medicine-part-4.html>

A History of Medicine, Part 5

<http://europenews.dk/en/node/16469>

A History of Optics and Modern Science

<http://gatesofvienna.blogspot.com/2009/03/history-of-optics-and-modern-science.html>

A History of Optics, Part 1

<http://www.jihadwatch.org/dhimmiwatch/archives/023840.php>

A History of Optics, Part 2

http://atlasshrugs2000.typepad.com/atlas_shrugs/2008/12/here-comes-part.html

A History of Optics, Part 3

<http://gatesofvienna.blogspot.com/2009/01/history-of-optics-part-3.html>

A History of Optics, Part 4

<http://www.jihadwatch.org/dhimmiwatch/archives/024647.php>

A History of Optics, Part 5

<http://gatesofvienna.blogspot.com/2009/02/history-of-optics-part-5.html>

A History of Optics, Part 6

http://atlasshrugs2000.typepad.com/atlas_shrugs/2009/02/according-to-michael-kennedy-max-planck-writing-in-1931-stated-that---while-neither-faraday-or-maxwell-originally-consid.html

The History of the Calendar

http://atlasshrugs2000.typepad.com/atlas_shrugs/2008/11/fjordman-the-hi.html

3. A Declaration of pre-emptive War (book 3)

LEGAL DISCLAIMER (for certain chapters in Book 2 and Book: 3. A Declaration of pre-emptive War):

Book 3, "*A Declaration of preemptive War*" and certain chapters in book 2 in this compendium, titled "2083", and all related research files describes a hypothetical response to a perceived threat (so called cultural Marxist/multiculturalist atrocities and the threat of Islamisation). As such, it is a fictional description regarding how it could be like if Islam would be dominant in Europe. The concept of the story/plot is based on what it would be like if certain Christian/conservative/nationalist resistance groups/individuals chose to oppose these so called perceived threats and enemies. It describes in shocking detail how they would most likely rationalise/think/justify/argue and behave towards these perceived threats/enemies. This books chapter 3 describes how a "fictional" resistance group is emerging and how it would operate from the so called "Phase 1 through Phase 3" in order to prevent these perceived threats and atrocities from further manifesting and to prevent an alleged future Muslim takeover. It also describes specifically how this hypothetical fictional group, "PCCTS, Knights Templar", would choose to respond towards the so called "enablers" or the so called "cultural Marxist/multiculturalist" elites that are allegedly allowing millions of Muslims to enter Europe. The book contains detailed strategies (guerrilla tactics, instructions to execute, political campaigns etc.) which normally would be partly incriminatory to anyone who published or distributed the book (had it not been fiction). It also describes indirect and direct armed and non-armed strategies towards these so-called "traitors" - referred to as the cultural Marxists/ multiculturalists. The motivation for this "fiction-writer-approach" is to contribute to create a new type of innovative writing style. By defining, in a horrifically detailed way, a fictional scenario, the reader will be shocked due to the "hopefully" credible and extremely detailed elaborations. It should be noted that the author, as a sci-fi enthusiast, wanted to bring and create a complete new writing style that has the potential to shock the reader with an incredibly credible fictional plot (written in first, second and third person narrative). The author or distributor does not condone or agree with any of the descriptions or methods used in this book and the related chapters. However, the book was created to try to explain to the European political elites how the continuation of given political doctrines could result in similar manifestations (radicalisation of certain groups/individuals), as history has already proven, if they continue with their current policies. As such, it is a reminder to the current establishment what might happen if they repeat the mistakes of the past. Ignoring the will of the people will only contribute to radicalise groups/individuals and therefore contribute to polarise the political fronts and increase the chances of future conflicts. A continued humanist approach to mass Muslim immigration, and the implementation of Sharia on a local, national and pan-European level could result in a long term catastrophe. Not only as a result of a political Islamic consolidation from phase 1-3 but also the danger that REAL "resistance organisations" equivalent to the fictional group called "PCCTS" arises as a result of the discontent. Simulating the creation and detailed information about the actions of organisations like this is presented in detail (included combat/guerrilla simulations, planning phase, attack strategies etc) to try to forward a realistic impression to the reader and current European governments regarding what COULD develop if the current Islamisation process is allowed to continue. The detailed so called "terror descriptions" is therefore in place to create a sense of perceived credibility, reality under a credible fictitious framework. The threats, the discriminatory content and information about guerrilla warfare and violence, threats regarding killing of so called "traitors" and instruction on how to employ WMDs (which is all available through Wikipedia and other online sources to anyone btw) is therefore all a part of this fictional story/plot to strengthen the credibility of the framework. The book should therefore never be considered anything else than fiction (not real). Please note that in order to do some of

the research in this compendium the author had to visit/seek several controversial websites/sources in order to gain access to the information. This does not mean that the author or distributor have any sympathy or empathy for any specified or un-specified violent or non-violent groups. All "threats" etc in these fictional books are "in character" and its primary goal is to give an impression of what it would be like if we were under threat by an extremist organisation. However, certain aspects of the content describing a lead character (a fictional political activist who has decided to become a so called "Jusiciar Knight") sounds very realistic due to the detailed descriptions. However, all incriminatory information in this work is written "in character" and must not be confused with an actual plan, or strategy to attempt to harm any individuals or infrastructure, any political groups or attempt to seize political or military control of Western European regimes. This book is therefore unique in many ways. It is speculated that this type of original approach has the potential to forward and present information in a new and original context. It is therefore no need for concern by any police/state/government prosecutors or intelligence agencies about the content of this book due to its fictional nature. This legal disclaimer was created to remove any doubt whatsoever that the author or anyone choosing to distribute the book "2083" has any hostile motives or intentions. If any legal authority have reservations against this new and innovative form of writing style, they may address or contact the author, any publisher or distributor and share their concerns which will be taken under consideration. Changes will be considered and implemented. As such, the content in its current form will not incriminate anyone, the author or any distributor.

The Conservative Revolution - the only Solution for free Europeans

"The only thing necessary for the triumph of evil is for good men to do nothing."

Edmund Burke

3.1 A phase of dialogue has come to an end (1955-1999)

"If you throw a frog into hot water it will jump out at once. But if you slowly warm it up in a pot of cold water, it doesn't jump out and boils to death. We can see the decay right in front of our own eyes. We are slowly being boiled to death..."

There have been hundreds of attempts to forward and distribute demands (on behalf of the indigenous peoples of Europe) to Western European governments, political parties and media organisations since 1955. As with all attempts for dialogue, every single one of them has been rejected, ignored or ridiculed. One of these pleas was written by Fjordman in March 2007:

A European Declaration of Independence

We, the citizens of the United Kingdom, France, Germany, the Netherlands, Belgium, Luxembourg, Sweden, Denmark, Norway, Finland, Spain, Portugal, Italy, Greece, Switzerland, Austria, Iceland, Malta and Ireland demand that the following steps are taken immediately:

We demand that our national governments should immediately and without delay pull their countries out of the European Union, which should be dismantled entirely. European citizens pay up to half of their salaries in direct or indirect taxes to their nation states. If these nations do not control their own borders nor their policies, and they don't as long as the EU exists, those taxes are a scam. National taxes require national borders. If our national borders are not enforced, we have no obligation whatsoever to pay national taxes.

We demand that all documents regarding the Euro-Arab Dialogue and the creation of the Eurabian networks for "Euro-Mediterranean cooperation" between European countries and Arab countries since the 1970s, as documented by Bat Ye'or's work on Eurabia, are published and explained in their full significance to the general public. Those chiefly responsible for this - one of the greatest betrayals in the history of Western civilisation - should stand trial, followed by a period of general de-Eurabification of our laws and regulations.

We demand that all financial support to the Palestinian Authority should cease immediately. It is proven beyond any doubt that this has in the past been used to finance campaigns of Jihad terrorism against Jews in Israel and against Christians in territories under PA control. A public statement in support of Israel against Muslim aggression should be issued, and the money that has previously been awarded to Palestinians should be allocated partly to Israel's defence, partly to establish a Global Infidel Defence Fund with the stated goal of disseminating information about Muslim persecution of non-Muslims worldwide.

We demand that the ideology of multiculturalism should immediately be removed from all government policies and school curricula, and that the state should adopt a policy of supporting the continuation of the cultural heritage and traditions of the indigenous populations. Multiculturalism has never been about tolerance. It is an anti-Western hate ideology championed as an instrument for unilaterally dismantling European culture. As such, it is an evil ideology bent on an entire culture's eradication, and we, the peoples of

Europe, have not just a right, but a duty to resist it and an obligation to pass on our heritage to future generations.

We demand that all Muslim immigration in whatever form should be immediately and completely halted, and that our authorities take a long break from mass immigration in general until such a time when law and order has been re-established in our major cities. We will not accept any accusations of "racism." Many European nations have for decades accepted more immigration into our countries in a shorter period of time than any other people has done peacefully in human history.

We are sick and tired of feeling like strangers in our own lands, of being mugged, raped, stabbed, harassed and even killed by violent gangs of Muslim thugs, yet being accused of "racism and xenophobia" by our media and intimidated by our own authorities to accept even more such immigration.

Europe is being targeted for deliberate colonisation (see demographic warfare) by Muslim states, and with coordinated efforts aimed at our Islamisation and the elimination of our freedoms. We are being subject to a foreign invasion, and aiding and abetting a foreign invasion in any way constitutes treason. If non-Europeans have the right to resist colonisation and desire self-determination then Europeans have that right, as well. And we intend to exercise it.

If these demands are not fully implemented, if the European Union isn't dismantled, multiculturalism isn't rejected and Muslim immigration isn't stopped, we, the peoples of Europe, are left with no other choice than to conclude that our authorities have abandoned us, and that the taxes they collect are therefore unjust and that the laws that are passed without our consent are illegitimate. We will stop paying taxes and take the appropriate measures to protect our own security and ensure our national survival.

The above declaration was forwarded to many political parties of the so called "Multiculturalist Alliance" (MA100 political parties) and many "cultural Marxist/multiculturalist media organisations in 2007. As expected, no one ever bothered to comment on the demands as it was categorised as "right wing nonsense" and categorically ignored.

3.2 Charges against all cultural Marxist/multiculturalist elites of Europe (category A and B traitors)

“A person may cause evil to others not only by his actions but by his inaction, and in either case he is justly accountable to them for the injury.”

John Stuart Mill

Individual criminal responsibility:

A person who planned, instigated, ordered, committed or otherwise aided and abetted in the planning, preparation or execution of a crime referred to in the following articles shall be held individually responsible for the crime.

The official position of any accused person, whether as Head of State or Government or as a responsible Government official, shall not relieve such person of criminal responsibility or mitigate punishment.



The fact that any of the acts referred to in the following articles was committed by a subordinate does not relieve his superior of criminal responsibility if he knew or had reason to know that the subordinate was about to commit such acts or had done so and the superior failed to take the necessary and reasonable measures to prevent such acts or to punish the perpetrators thereof.

The fact that an accused person acted pursuant to an order of a Government or of a superior shall not relieve him of criminal responsibility, but may or may not be considered in mitigation of punishment in the future (depending on the accused persons current and future acts of repent).

The accused

Charges brought against cultural Marxist/multiculturalist/suicidal humanist/capitalist globalist politicians, primarily from the alliance of European political parties known as “the MA 100” and EU parliamentarians. The accused are also elected and non-elected parliamentarians, their advisors and any public and/or corporate servant who has been and still are indirectly or directly implicated in committing the following acts.

The accused are also individuals from various professional groups (but not limited to): journalists, editors, teachers, lecturers, university professors, various school/university board members, publicists, radio commentators, writers of fiction, cartoonists, and artists etc. The accused includes many individuals from other professional groups such as: technicians, scientists, doctors and even Church leaders. In addition, individuals (investors etc) who have directly or indirectly funded related activities. It’s important to note that the stereotypical “socialists”, collectivists, feminists, gay and disability activists, animal rights activists, environmentalists etc are to be considered on an individual basis only. Not everyone who is associated with one of these groups or movements is to be considered a cultural Marxist/multiculturalist.

The accused are individuals who have deliberately used their influence in a way which makes them indirectly or directly guilty of the listed charges. Many of these individuals will attempt to claim "ignorance" of the crimes they are accused of.

The charges

1a. Aiding and abetting to cultural genocide against the indigenous peoples of Europe.

Cultural genocide is a term used to describe the deliberate destruction of the cultural heritage of a people or nation for political, military, religious, ideological, ethnical, or racial reasons[1].

According to the "United Nations Declaration on the Rights of Indigenous Peoples"[2] the cultural Marxist/multiculturalist elites of Europe (all category A, B and C traitors) are committing cultural genocide against the Indigenous Peoples of Europe.



"United Nations Declaration on the Rights of Indigenous Peoples" adopted by General Assembly Resolution 61/295 on 13 September 2007.

According to each part of this declaration; Europe is the victim of cultural genocide on par with that of Tibet.

1. http://en.wikipedia.org/wiki/Cultural_genocide
2. <http://www.un.org/esa/socdev/unpfii/en/drip.html>

1b. Aiding and abetting a foreign invasion/colonisation of Europe by allowing systematical Islamic demographic warfare (by the Global Islamic Ummah)

The cultural Marxist/multiculturalist elites of Europe are committing high treason by allowing and justifying past and current deliberate Islamic invasion/colonisation of Europe by Muslim states and the rest of the Global Islamic Ummah through the use of demographic warfare (by allowing mass Muslim immigration and allowing and tolerating average Muslim birth-rates of 3-4). These actions committed are coordinated efforts aimed at our Islamisation and the elimination of our freedoms. Europe is thus subject to a foreign invasion and aiding and abetting a foreign invasion in any way constitutes treason.

2a. Contributing to deliberately disallow Europe's indigenous peoples from exercising the right to resist the Islamic invasion/colonisation through demographic warfare.

2b. Contributing to institutionalised persecution, discrimination, harassment, illegal monitoring, incarceration, torture and/or mental/physical abuse of any and all individuals who attempt to resist or oppose the Islamic invasion/colonisation of Europe through demographic warfare and/or cultural genocide.

Crimes committed against cultural conservatives or other political "enemies/threats".

- Contributing to expelling (firing)/demoting/hindrance of promotion of more than

40 000 cultural conservatives in various professions due to their political conservative stance.

- Contributing to incarceration of more than **150 000** cultural conservatives or others, who doesn't support the cultural Marxist/multiculturalist stance, for "resistance" and/or "defence" related acts. Acts related to self-defence or with the purpose of directly or indirectly protecting ethnic Christian European interests (everything from the loss of life to securing national borders). This also includes attacks and/or the execution of cultural Marxists/multiculturalists or pre-emptive strikes for the purpose of preventing/limiting the use of demographic warfare. This also includes acts committed with the purpose of preventing/limiting (through illegal acquirement of funds or through violence) cultural genocide. Among the persecuted/incarcerated are primarily Western European citizens. Serbian and Croat war heroes are however also included.

2c. Aiding and abetting to cause the extinction of the indigenous Europeans' by creating and/or maintaining the Marxist social structures which has lead to an average fertility rate of less than 1,5 among the indigenous Europeans.

These policies of extinction is nothing less than the deliberate plan to cause the indirect demographical genocide on a mass scale by implementing and maintaining Marxist social structures. This huge deficit is then used as the primary argument to allow mass Muslim immigration. The utter unwillingness to change these social structures (reverse from matriarchal oriented structures to patriarchal structures) leading to this gradual extinction is considered no less than high treason. These Marxist social structures causes an annual Western European birth deficit of at least 2 million. The political doctrines which create the fundament for these Marxist social structures are included in another chapter. A few examples include collaboration by allowing the marketing and propagating the excessive distribution of contraceptive pills to European women, by allowing 500 000 annual abortions, by stripping away mens rights and prerogative (as patriarch/head of the family) in relation to custody care, by criminalising physical disciplinary methods etc.

3a. Contributing to deliberately and systematically preventing Europe's indigenous peoples from exercising the right to self-determination.

3b. Contributing to undermine and destroy the Western European democracies by deliberately and systematically importing Muslim voters, encouraging to Islamic block voting and encouraging to Islamic demographic warfare for the purpose of increasing and/or growing voter base.

4. Contributing to deliberately exposing and thus endangering Europe's indigenous peoples to individuals and groups who exercise a fascist, violent, discriminating and genocidal political ideology known as Islam. These individuals and groups are all members of the Global Islamic Ummah, who has historically or still are exercising violent, hateful, threatening, discriminating and genocidal behaviour and acts towards and against Europe's indigenous peoples.

The behaviour and systematic acts of terror includes: demographic warfare, murder, rape, robberies, theft, harassment, slavery, sexual exploitation, financial exploitation and other various forms of physical and mental abuse.

5. Participation of indirect atrocities against Europeans.

Crimes against the indigenous peoples of Western Europe - 1960-2010



The following atrocities have been committed by the Muslims (directly) residing in Western Europe. As such, the following atrocities have been indirectly committed by the cultural Marxists/multiculturalists themselves. The victims are all non-Muslims, primarily indigenous Europeans.

European cultural Marxists/multiculturalists are collectively held responsible for all criminal acts Muslims commit against indigenous Europeans in Europe (and acts committed by Muslims against other non-Muslims). It is not the free peoples of Europe but the cultural Marxist/multiculturalist category A, B and C traitors alone who have invited and allowed Muslims to stay in Europe and have therefore indirectly acted as the primary enabler of the following crimes:

(a) Traumatizing physical or psychological abuse

Includes robberies, beatings, traumatizing threats, severe harassment, all forms of violence, rape excluded. Contributing to allowing the harassment, robberies, theft, financial exploitation and other various forms of physical and mental abuse of approx **4,5 million** Europeans (1960-2010). Estimates are calculated based on number of atrocities committed. Many Europeans have been abused or exploited several times. Ratio is an average 1000 atrocities per 100 000 Muslims annually.

Contributing to allowing the enslavement and/or systematic sexual exploitation of approx **8000** European women and men for shorter or longer periods (1960-2010). Figure is included in (a)

(b) Murder or indirect murder

Contributing to allowing the first degree murder of **44 800** indigenous Europeans by exposing them to the Global Islamic Ummah. This includes the direct and indirect murder of Europeans committed by Muslims living in Europe. There is an average of 10 murders per year, per 100 000 Muslims (directly or indirectly). This figure also includes the numbers in (b), (1960-2010).

Contributing to allowing the indirect murder of **10 000-20 000** Europeans (already included in above figure) by exposing them to the Global Islamic Ummah. Causes include suicide or other secondary lethal inflictions due to Muslim rape, harassment, torture, slavery, violence, threats or financial and/or sexual exploitation (1960-2010).

(c) Rape

Contributing to allowing the rape of approx **1,1 million** European women (based on Swedish statistics, 1960-2010). Estimates are calculated based on number of rapes. A gang rape will count number of rapists in relation to number of rapes. Many European girls/women have been raped multiple times. Ratio is an average 200 rapes per 100 000 Muslims annually.

(d) Arson

Contributing to allowing and facilitating 450 000 arson crimes of arson. Estimates include car burnings which is a significant problem in many European major cities. Arson is often the preferred method the Muslims will use to weaken the society. Ratio is an average 100 arson attacks per 100 000 Muslims annually.

6. Participation to war crimes against Croats but especially Serbs before, during and after the 1999 NATO bombings [1][2][3][4]

In the NATO bombing of the Federal Republic of Yugoslavia, large numbers of civilians in addition to members of the Serb forces have incontestably been killed and civilian and non-civilian installations destroyed. NATO has carried out between 5,000 and 10,000 bombing missions over the territories of the former Yugoslavia since March 24, 1999. Furthermore, NATO forced Serbian forces out and thereby helped the Islamic terror organisation, UCK, to conquer Kosovo.

NATO leaders "have admitted publicly to having agreed upon and ordered these actions, being fully aware of their nature and effects. There is ample evidence in the public statements of NATO leaders that these attacks on civilian and non-civilian targets were part of a deliberate strategy to terrorise the population in order to achieve the goal of turning them against their leadership.

NATO atrocities against Serbs

NATO leaders have openly admitted targeting civilian infrastructure as well as military targets. The list of targets has included fuel depots, oil refineries, government offices, power stations and communications links, such as roads, tunnels, bridges and railway links, including those not inside the region of, or in the vicinity of, Kosovo.

In addition to these deliberate attacks on civilian infrastructure and objects, there have been a great number of attacks which have caused direct physical harm and death to civilians.

These bombing missions have directly caused the death of approximately 2,000 men, women and children and serious injury to 7,500 more.

Though the above-named NATO leaders have claimed that these incidents were accidents, they have also admitted that they were an inevitable result of their bombing strategy, a strategy which they appear to have continued unmodified and even to have intensified throughout these incidents.

There is ample evidence in the public statements of NATO leaders that these attacks on civilian targets are part of a deliberate attempt to terrorise the population to turn it against its leadership.

The NATO bombing has done an estimated \$100 billion dollars in property damage and completely destroyed or seriously damaged dozens of bridges, railways and railway stations, major roads, airports, including civilian airports, hospitals and health care centres, television transmitters, medieval monasteries and religious shrines, cultural-historical monuments and museums, hundreds of schools, faculties and facilities for students and children, thousands of dwellings and civilian industrial and agricultural facilities.

Refineries and warehouses storing liquid raw materials and chemicals have been hit causing environmental contamination and exposing the civilian population to the emission of poisonous gases.

The NATO bombings have also made use of weapons banned by international convention, including cruise missiles utilising depleted uranium highly toxic to human beings.

Aftermath

There are now more than 2500 un-detonated cluster bombs spread over large parts of Serbian territories. 160 000 Serbs live in these affected areas and it will take more than 12-23 years to clear the areas if the work continues in today's pace. Serbia needs 242 NOK millions for the work of digging up and disarming cluster ammunition that haven't yet detonated. NATO dropped approximately 37 000 cluster bombs over Yugoslavia during the 78 day illegal war campaign in 1999. The bombs have since then killed more than 31 individuals and injured more than 160.[1]

Use of illegal weapons - Cluster Bombs and Depleted Uranium weapons against the Serbs

Subsequent agreements, including the Hague Conventions of 1899 and 1907, the Geneva Conventions of 1925 and 1949 and the Nuremberg Charter of 1945 have affirmed that the following acts are prohibited under international law:

- i.** Use of weapons or tactics which cause unnecessary or aggravated devastation or suffering.
- ii.** Use of weapons or tactics which cause indiscriminate harm, i.e., to non-combatants.
- iii.** Use of weapons or tactics which violate the neutral jurisdiction of non-participating states.
- iv.** Use of asphyxiating, poisonous or other gas, and all analogous substances including bacteriological methods of war.
- v.** Use of weapons which or tactics which cause widespread, long-term and severe damage to the environment.

The United States and NATO have openly admitted to using both cluster bombs and depleted uranium weapons in the March-June, 1999 war against the Federal Republic of Yugoslavia. Furthermore, in the 78 days of bombing, the U.S. and NATO had no intention of even trying to limit the use of cluster and DU weapons to military targets.

Criminal charges:

All of the Heads of State and Government of the 19 NATO countries, their Foreign Ministers and Ministers of Defence, and officials and military leaders of NATO, have admitted publicly to having agreed upon and ordered these actions, being fully aware of their nature and effects. In addition, many others will be determined as accomplices in committing these crimes.

"The atrocities committed against the Serbs is not only immoral, it is criminal and punishable under various laws. Even in a legal war you cannot kill civilians and destroy an entire country as a military strategy.

The following charges are directed at any individual who planned, instigated, ordered, committed or otherwise aided and abetted in the planning, preparation or execution of a crime(s) referred to in the mentioned articles and shall be held individually responsible for the crime(s).

The criminal charges include:

- a.** Wilful killing.
- b.** Wilfully causing great suffering or serious injury to body or health.
- c.** Extensive destruction and appropriation of property not justified by military necessity and carried out unlawfully and wantonly.
- d.** Employment of poisonous weapons or other weapons to cause unnecessary suffering.
- e.** Wanton destruction of cities, towns or villages, or devastation not justified by military necessity.
- f.** Attack, or bombardment, by whatever means, of undefended towns, villages, dwellings, or buildings.
- g.** Seizure of, destruction or wilful damage done to institutions dedicated to religion, charity and education, the arts and sciences, historic monuments and works of art and science.
- h.** Aiding and abetting to cultural genocide against the Christian populations in parts of the Balkans.
- i.** Aiding and abetting the enemy, the Global Islamic Ummah (primarily Bosniaks and Albanians in this case) by helping them continue colonisation/invasion through demographic warfare of parts of the Balkans.
- j.** Deliberately preventing the Serbian people and other non-Muslim peoples in the Balkans from exercising their right to resist Islamic demographic warfare/indirect Islamic invasion/colonisation waged against them by the Global Islamic Ummah.
- k.** Deliberately and systematically preventing the Serbian people and other non-Muslim peoples in the Balkans from exercising the right to self-determination and disallowing them their right to avenge past atrocities committed by the Global Islamic Ummah. Avenging centuries of atrocities involves mass deportations of Bosniaks and Albanians.
- l.** Deliberately disallowing or disabling, through military force, the Serbian and Croat government in its pursuit to prevent its population from being exposed and thus endangered by individuals and groups who exercises a fascist, violent, discriminating and genocidal political ideology known as Islam. These individuals and groups are all members of the Global Islamic Ummah, who has historically or still are exercising violent, hateful, discriminating and genocidal behaviour and acts towards and against Europe's Christian and/or atheist indigenous peoples.

The behaviour and systematic acts of terror includes: demographic warfare, murder, rape, robberies, theft, harassment, slavery, sexual exploitation, financial exploitation and other various forms of physical and mental abuse.

7a. Indirectly or directly supporting and/or contributing to the creation, marketing and implementation of multiculturalism, an anti-Western hate ideology aimed at undermining the indigenous peoples of Europe and destroying European civilisation and culture. Multiculturalism has never been about tolerance. It is an anti-European hate ideology championed as an instrument for unilaterally dismantling European nation states, culture, traditions, Christianity and identity. As such, it is an evil ideology bent on an entire culture's eradication.

7b. Contributing to systematical ideological coercing and brainwashing (also known as thought reform or re-education) of the indigenous peoples of Western Europe in the attempt to modify people's social and political philosophy and instilling certain attitudes. These indoctrination efforts are aimed towards all Europeans in order to form certain beliefs in a person with the aim of affecting individual value systems and subsequent thought-patterns and behaviours. This has been done by designing multiculturalist school curriculums with the intention of indoctrinating all individuals. Falsified and biased representations, falsified or biased statistics, falsified or biased sources, biased/unbalanced coverage and labelling certain opponents/groups as bigots/racists/Nazis is common. Furthermore, propaganda, direct or indirect manipulation and other forms of trickery is prevalent with the intention of creating a foundation for a new society based on multiculturalism and emotionalism/extreme egalitarianism. Other motives include the goal of limiting opposition/resistance towards mass-Muslim immigration/Islamic demographic warfare.

The cultural Marxist media establishment of Western Europe have since the 1960-1970s had a political agenda which closely coincides with the political establishment. As such their methods have included systematically attacking, discrediting and undermining Europe's traditional institutions, mechanics and processes in order to lay the foundation for a new society based on multiculturalism and emotionalism/extreme egalitarianism. Individuals who has supported a more rationalistic, individualistic and/or traditional views have been systematically labelled as bigots and silenced through various means.

The following institutions, norms, principles, and traditions have been systematically criticised/ ridiculed/ opposed/ undermined/ weakened/ partly dismantled:

The cultural Marxist/multiculturalist aim is to destroy all ties to history, culture, family, community, and one's people as a whole:

- Traditional family structure (the nuclear family) through glorifying non-marital relationships, emphasis on sex education from young age, casual sex etc.
- European national states and national borders
- European/national cultural heritage and traditions
- European Christian traditions
- The Church's influence in society (social and political influence). Conservative Church leaders are undermined/ridiculed/silenced.
- Discipline and disciplinary measures in educational institutions, at home and in society in general (by opposing/criticising/disallowing mental and physical disciplinary measures)
- The political mechanisms based on rationality and logic (death penalty, strict sentencing)
- The police/military role and influence in society by limiting their influence and rights (law and order)
- Men's right to equal child care/custody.
- Conservative organisations or individuals opposing mass-Muslim immigration and/or multiculturalism/feminism/extreme egalitarianism/emotionalism are systematically criticised, undermined, silenced, ridiculed and labelled as bigots/racists/Nazis/fascists. Examples are Christian newspapers/magazines and other cultural conservative publications who are being discriminated against through various means.

Active support for:

- Feminism/emotionalism/egalitarianism/multiculturalism and thus active support for the Islamisation of Europe.
- Liberal Church leaders
- Cultural Marxist/multiculturalist radical groups (Left wing extremists) such as Blitz, AFA, UAF etc.

Biased coverage of:

Environmentalism – obsession with global warming instead of focusing on overpopulation (no calls for birth/population control in the developing world)

- Biased coverage of US administrations/elections (always supporting Democrats and always opposing Republicans)

- **The Iraqi war and “the war on terror”**. Always focus on the US bombing of civilians. No coverage on the persecution and Jihadi attacks against Christian Assyrians after the fall of Saddam. There has been an ongoing Jihad against non-Muslims in Iraq and other Muslim countries the last centuries. No coverage.

- **The Jihad against Israel** - Israel has for the last decades systematically been demonised and labelled as the aggressor. Ignoring the ongoing Jihad against Israeli Jews and non-Israeli Jews the last centuries. For example 80 000 Jews were deported from Egypt after WW2 etc. Several hundred Jews are murdered annually in the Middle East by Jihadists (no coverage). No coverage of Islamic Jihads and other Jihadi organisations military tactics; for example the launching of missiles from Christian villages in Lebanon and the use of Christians as human shields.

- **The Jihad against Christian Lebanon** – This was a systematic Jihad launched by the Global Islamic Ummah (several Muslim countries, Iran sent more than 5000 Jihadi soldiers) against a Christian population who finally decided to make a final push before it was too late due to the ongoing Islamic demographic warfare. The Global Islamic Ummah refused to acknowledge a Christian state. Unfortunately they were abandoned by their historical protectors, France and other Western European countries. Christian Lebanon was betrayed by Western Europe. As a result, the Muslims won and the Christian exodus reached a climax (In 1911 there were 80% Christians in Lebanon, now there are less than 25% left. According to Western European media this was a civil war.

- **Balkan war** – Blind focus on so called “Serb persecutions of poor Muslims”. Serbs were demonised by the Western European media establishment and labelled as the only aggressors. There was little mention of Jihadi atrocities against Christians or the fact that more than 6000 international Jihadi warriors travelled to the Balkans (among them more than 1000 Muslims living in Western Europe) to wage Jihad against the Christian Europeans. The Serbs and Croats had just cause to fight and oppose Islamic demographic warfare (it is well known that for example there were 60% Christian Serbs in Kosovo around 1900, now there are less than 7% left). The Croats but especially the Serbs attempted to deport Bosniaks and Albanians to Albania. This was effectively stopped when NATO started the 1999 bombings of Serb forces.

Kashmir conflict – biased coverage (anti-Hindu, pro-Muslim)

India in general – biased coverage (anti-Hindu, pro-Muslim)

Sudan – biased or no coverage

The Western European media establishment have failed to inform the European populations of the biggest Jihadi genocides of modern times. Several hundred thousand Christians and Animists in Southern Sudan have systematically been massacred. Furthermore, they have not informed the European people that this Jihadi campaign is supported and funded by Saudi Arabia and other members of the Global Islamic Ummah.

Nigeria/Biafra – biased or no coverage (anti-Christian, pro-Muslim)

Chechnya and Dagestan (Muslims vs. Christians)

Biased and Russo-phobic coverage (anti-Christian, pro-Muslim). In this case the Muslims have been trying to create an Islamic state for decades. They fail to show the link between the so called “poor outnumbered rebels” and their Jihadi motives and terrorist activities.

Georgia - Biased and Russo-phobic coverage.

Southern Thailand (Muslims vs. Buddhists)

Biased coverage (anti-Buddhist, pro-Muslim) – This is a Jihad for the creation of yet another Muslim republic in Southern Thailand. Jihadi beheadings is not uncommon and Jihadi atrocities are downplayed or not reported at all.

Southern Philippines (Muslims vs. Christians)

Biased or no coverage (anti-Buddhist, pro-Muslim). In Southern Philippines an extremely violent Islamic Jihad has gradually escalated the last years. They seek to create an Islamic republic.

Western China - Xinjiang (Muslims vs. Buddhists)

Biased coverage (anti-Buddhist, pro-Muslim) Uighur Islamists have waged a Jihad against Chinese rule for decades. Turkestan Islamic Party seeks to create an Islamic republic for the Muslim Uighur people. Western media have condemned the actions of the Chinese government counter-campaigns against the “poor outnumbered rebels”.

The Global Islamic Ummah – Multiple military Jihads combined with demographic warfare

90% of all the Worlds conflicts today are between Jihadists and non-Muslims. In most cases, Jihadists want to create Islamic republic's of some sort. Western media fail to connect the dots. They fail to acknowledge that the Global Islamic Ummah are launching multiple military Jihads in tandem with Islamic demographic warfare against old and new territories around the world.

Failure to explain terms and educate the European populations about Islam:

- Historical and contemporary Dhimmitude worldwide
- Historical and contemporary Jizya
- The importance of the Global Islamic Ummah
- The importance of Al-Taqiyya in Islam
- The importance of Quranic abrogation/Naskh (Mecca vs Medina verses)

NO coverage of:

- The ongoing spread of Wahhabism/Jihadi Salafism in the West. Western European politicians and the mainstream media have failed to explain the European people that

Saudi Arabia and other Muslim countries have spent more than 87 billion USD the last decades on propagating Wahhabism in the West. Furthermore, they have failed to explain that there are now hundreds of Wahhabi centers (mosques and Islamic cultural centers) across Europe who teaches an exceptionally hateful variant of Islam.

Daily Jihadi attacks worldwide – More than 200 documented Jihadi attacks on non-Muslims every week, worldwide (with more than 400 casualties and more than 800 injured on a weekly basis) – primarily slayings of Christians, Jews, Buddhists, Hindus and Animists. Weekly undocumented occurrences range in the thousands on average.

7c. Indirectly or directly supporting and/or contributing to state sanctioned falsification campaigns (both revisionism and negationism) aimed at laying the foundation for implementing European multiculturalism and/or mass-Muslim immigration.

More info regarding these charges:

The essence of multiculturalism is that all cultures and religions are "equal". In this context our Western governments launched a great "campaign of deception" against their own people with the goal of creating a falsified version of the Islamic and European Civilisation, in order to make them equal. According to them, this is needed in order to successfully implement multiculturalism.

The process was politically motivated with the goal of creating a good foundation for Euro-Arab cooperation and trade.

Examples of falsification and apologist sources include:

- Exaggerated claims of Muslim cultural and scientific contributions.
- The Ottoman Empire was tolerant.
- The, "Jewish experience" in the Ottoman Empire " was a calm, peaceful, and a fruitful one..".
- Balkan Christian boys could acquire great social advancement through "recruitment" into the Ottoman devshirme system.
- The Armenian Genocide never happened. It was rather a struggle between two peoples for the possession of a single homeland.
- Muslim Andalusia (Moorish Spain) is often pointed out by Muslim apologists as a kind of multicultural wonderland, in which Jews and Christians were permitted by the Islamic government to rise through the ranks of learning and government administration.
- Jihad means personal struggle
- Islam is a religion of peace
- Christianity and Islam are equal in terms of historic atrocities
- Maronite Christians (Lebanese Christians) falsely claim to be victims.

Examples of systematic deletion/ignorance of important issues

The Western European governments have sanctioned deleting and ignoring large chunks of our history, including censorships of school curriculum's on the following fields:

- Hindu/Buddhist genocides - Hindu Kush, the largest Genocides in the history of man

- Armenian Genocides
- Greek Genocides
- Assyrian Genocides
- Coptic Genocides
- The past Jihads, torture and enslavement of Christians and other non-Muslim peoples in the Middle East and Asia
- The ongoing Jihads, torture and enslavement of Christian and other non-Muslim peoples or individuals in the Middle East and Asia
- Jus Primae Noctis - Officially sanctioned rape under the Ottoman Empire
- The West's unwillingness to prevent or defend Christian Lebanon against Jihadi invasions by the Global Islamic Ummah (among them many Muslim countries including Iran, Syria, Egypt, Jordan). This Jihad eventually led to the fall of the Christian state of Lebanon. In 1911 there were 80% Christians in Lebanon, today there are less than 25% left, a minority who are still being persecuted)
- What the Crusades Were Really Like
- European Slaves, Arab Masters – more than 1,5 million Europeans were enslaved

Examples of anti-Western propaganda included in our school curriculums

- Falsified information about the Crusades (it was a defensive campaign not offensive)
- Western colonial history (anti Western bias) was primarily consisting of financial exploitation of lesser developed territories but was nothing compared to the 1400 years of Islamic Jihad which resulted in countless genocides resulting in more than 300 million slaughtered, and the enslavement and forceful conversion of more than 300 million)

More than 95% of today's Journalists, editors, publishers are pro-Eurabians (support European multiculturalism). The same goes for 85% of Western European politicians and more than 90% of EU parliamentarians.

Also, we shouldn't forget that it's the EU[5] that is the driving force behind European revisionism on Islam in Europe.

From *The Eurabia Code*:

Euro-Arab Dialogue Symposia conducted in Venice (1977) and Hamburg (1983) included recommendations that have been successfully implemented...

The necessity of cooperation between European and Arab specialists in order to present a positive picture of Arab-Islamic civilisation and contemporary Arab issues to the educated public in Europe.

The Euro-Arab Dialogue (EAD) is a political, economic and cultural institution designed to ensure perfect cohesion between Europeans and Arabs. Its structure was set up at conferences in Copenhagen (15 December 1973), and Paris (31 July 1974). The principal agent of this policy is the European Parliamentary Association for Euro-Arab Cooperation, founded in 1974. The other principal organs of The Dialogue are the MEDEA Institute and

the European Institute of Research on Mediterranean and Euro-Arab Cooperation, created in 1995 with the backing of the European Commission.

In an interview with Jamie Glazov of Frontpage Magazine, Ye'or explained how "in domestic policy, the EAD established a close cooperation between the Arab and European media television, radio, journalists, publishing houses, academia, cultural centers, school textbooks, student and youth associations, tourism. Church interfaith dialogues were determinant in the development of this policy. Eurabia is therefore this strong Euro-Arab network of associations - a comprehensive symbiosis with cooperation and partnership on policy, economy, demography and culture."

Eurabia's driving force, the Parliamentary Association for Euro-Arab Cooperation, was created in Paris in 1974. It now has over six hundred members - from all major European political parties - active in their own national parliaments, as well as in the European parliament. France continues to be the key protagonist of this association.

One of the documents Bat Ye'or was kind enough to send me (which she mentions in the French version of her book about Eurabia but not in the English version) is the Common Strategy of the European Council - Vision of the EU for the Mediterranean Region, from June 19th 2000.

It includes many recommendations, such as:

"to elaborate partnership-building measures, notably by promoting regular consultations and exchanges of information with its Mediterranean partners, support the interconnection of infrastructure between Mediterranean partners, and between them and the EU, take all necessary measures to facilitate and encourage the involvement of civil society as well as the further development of human exchanges between the EU and the Mediterranean partners. NGOs will be encouraged to participate in cooperation at bilateral and regional levels. Particular attention will be paid to the **media and universities** [my emphasis]."

The Strategy also wants to "pursue, in order to fight intolerance, racism and xenophobia, the dialogue between cultures and civilisations."

The Algiers Declaration [11] for a Shared Vision of the Future was made after a Congress held in Algeria in February 2006. The document states that: "It is essential to create a Euro-Mediterranean entity founded on Universal Values" and that "It is crucial to positively emphasise all common cultural heritage, even if marginalised or forgotten." A Common Action Plan draws up a large number of recommendations on how to achieve this new Euro-Mediterranean entity. Among these recommendations are:

- Adapt existing organisations and the contents of media to the objectives of the North- South dialogue, and set up a Euro-Mediterranean journalism centre
- Set up a network jointly managed by the Mediterranean partners in order to develop "a harmonised education system" [A "*harmonised education system*" between the Arab world and Europe? What does that include? Do I want to know? Will they tell us before it is a fait accompli?]

These agreements, completely rewriting European history books to make them more Islam-friendly, and gradually silencing "Islamophobia" as racism, are being implemented even now.

In June 2005 in Rabat [14], Morocco, a conference was held on "Fostering Dialogue among Cultures and Civilisations." The Conference was jointly organised by UNESCO, the Islamic Educational, Scientific and Cultural Organisation (ISESCO), the Organisation of the Islamic Conference (OIC), the Arab League Educational, Cultural and Scientific Organisation (ALECSO), the Danish Centre for Culture and Development (DCCD) and the Anna Lindh Euro-Mediterranean Foundation for the Dialogue between Cultures (Alexandria, Egypt).

Among the recommendations that were raised by Mr. Olaf Gerlach Hansen, Director General of the DCCD: "We are interested in new actions in the media, in culture and in education. These proposals include:

- Concrete initiatives to develop "intercultural competencies" in the training of new generations of journalists - Concrete initiatives for links and exchanges between journalists, editors, media-institutions, which encourage intercultural co-operation" - Concrete initiatives for curriculum development through new educational materials and revision of existing textbooks.

Although not stated directly, one may reasonably assume that among the "negative stereotypes" to be removed from the textbooks used to teach history to European schoolchildren are any and all references to the 1300 years of continuous Jihad warfare against Europe. These recommendations were accepted and incorporated into The Rabat Commitment.

The ECRI called on the EU member states to adopt measures that would effectively outlaw any serious debate about Islam and introduce pro-Muslim "affirmative action." European countries should:

- Modify curricula to prevent "distorted interpretations of religious and cultural history" and "portrayal of Islam on perceptions of hostility and menace";
- Encourage debate in the media on the image which they convey of Islam and on their responsibility to avoid perpetuating prejudice and bias.

8a. Aiding and abetting the enemy, the Global Islamic Ummah, in committing crimes/Jihad against Serbs in the Balkans and Serbia by directly supporting organisations such as the UCK, similar groups in the Balkans and so called Muslim authorities in Kosovo through EU and NATO. By refusing to send military aid to our brothers, allies, friends and fellow Christians; the Serbs you are committing high treason and are not acting in the interest of Europeans.

8b. Aiding and abetting the enemy, the Global Islamic Ummah, by providing financial support to the Palestinian Authority which allows them to wage military Jihad against Israel and Christian Lebanon. It is proven beyond any doubt that the funding of the Palestinian Authority has in the past been used to finance campaigns of Jihadi terrorism against Jews in Israel and against Lebanese Christians in territories under PA control or influence.

8c. Aiding and abetting the enemy, the Global Islamic Ummah, in committing systematic genocide against Middle Eastern Christians, by directly supporting the Muslim regimes and by refusing to send military aid to our allies, friends and fellow Christians; Christian Copts, Maronites and Assyrians in various Muslim dominated countries (primarily Jordan, Syria, Egypt, Iraq).

No measures have been taken by the cultural Marxists/multiculturalists to evacuate and aid the Christian populations of the Middle East (12-15 million, 2008 estimate). Measures should have been taken to create a Christian Coptic state, a Christian Assyrian state, a Christian Maronite state and a Christian state reserved for the remaining Christian groups in the Middle East. The first step should have been to re-conquer Christian Lebanon, deport the Muslim populations and secure the borders to ensure the survival of the

Christian populations. The cultural Marxist/multiculturalist elite's inability and unwillingness to act on these issues constitutes high treason and betrayal against our Christian brothers and sisters in the Middle East as they.

8d. Aiding and abetting the enemy, the Global Islamic Ummah, by allowing Muslims living in Europe to fund external Jihadi groups or travel on Jihadi trips around the world to fight Europeans and/or other Christians. It is proven beyond any doubt that Muslims living in Europe have directly funded external Jihadi groups or joined such groups for the purpose of killing Europeans or other Christians. As a result, numerous Christians in Europe - especially in the Balkans, in the Middle East - especially Christian Lebanese, Israeli and non-Israeli Jews, Christian Copts, Maronites, Assyrians, and elsewhere have been murdered or injured. The number of murdered Christians ranges from 200 000-300 000 in the period 1955-2009.

8e. Aiding and abetting the enemy, the Global Islamic Ummah, of committing genocide against Middle Eastern Christians, by directly supporting the Muslim regimes and refusing to send military aid to our allies, friends and fellow Christians in Europe - especially in the Balkans, in the Middle East- especially Christian Lebanese, Israeli and non-Israeli Jews, Christian Copts and Assyrians in various Muslim dominated countries (primarily Jordan, Syria, Egypt, Iraq).

8f. Indirectly aiding and abetting the enemy, the Global Islamic Ummah, by refusing to rally and send military aid to our allies, friends and fellow Christians in Africa - especially in Sudan but also in Southern Nigeria (Biafra) and other areas of Africa where widespread Jihadi massacres and demographic warfare is occurring. The cultural Marxist/multiculturalist elite's unwillingness/inabilities to act on these issues have resulted in the massacres of hundreds of thousands of Christians and Animists.

3.3 The European Resistance Movement/Indigenous Rights Movement – PCCTS, Knights Templar offer a full pardon to the Western European multiculturalist regimes, the MA 100 alliance (political parties) and all category A and B individual traitors if they capitulate to our military forces by January 1st, 2020

We, the National Resistance Movements of Western Europe, are hereby giving you the chance to exonerate yourselves if the following demands are met. The following demands are forwarded to all Western European regimes controlled by the MA 100 alliance (top 100 cultural Marxist/multiculturalist political parties), affiliated NGOs and individual category A and B traitors:

To all category A and B traitors in the following countries:

United Kingdom, France, Germany, the Netherlands, Belgium, Luxembourg, Sweden, Denmark, Norway, Finland, Spain, Portugal, Italy, Greece, Switzerland, Austria, Iceland, Malta and Ireland

Description of the terms of capitulation

You are to immediately order the national police and military forces in the respective countries to stop persecuting any and all armed National Resistance

Movements/Indigenous Rights Movements and allow us to create a tribunal consisting of 20 cultural conservative/nationalist intellectuals/political leaders per country. These individuals must oppose Islamisation, multiculturalism and have a long and credible track record in patriotic oriented political activism. All selected individuals must be staunch supporters of nationalistic ideological principles.

You are to immediately allow this tribunal to mobilise a patriotic military force (known as patriotic transitional guards) by allowing the tribunal, the representatives of the National Resistance Movements unrestricted access to the state broadcasting channel.

As soon as a military force/armed militia consisting of 1000 per 1 million citizens has been established, the tribunal will declare a temporary suspension of the constitution. This will be followed by a declaration of martial law which will last until a new government has been established and order has been restored. The force of "patriotic transitional guards", lead by the tribunal, is then to gain full control of the national military and police forces. Efforts will then be made to immediately secure control of the border and all significant state institutions. The tribunal will exercise the right to veto all new bills and dictate all issues temporarily relating to international agreements, security related issues, border control and all cultural issues until the genocidal policies currently in effect have been removed and appropriate measures have been implemented.

We can say the following to those who are screaming; "fascist coup!":

The current multiculturalist regimes of Western Europe are not at all democratic, this country is not democratic. They haven't been democratic since the 1950s. There is no basis for democracy when all state institutions including schools/universities deliberately use advanced brainwashing techniques (as has been described thoroughly) to condition the people from resisting their own persecution and annihilation through the manifestations of cultural Marxism/multiculturalist doctrines. Furthermore, there is no basis for democracy when 99% of all journalists support and propagate multiculturalism and thus collaborate with the political elites in their quest to indoctrinate the people. There is no basis for democracy when all patriots and nationalists are ignored, ridiculed or persecuted. Factors such as these and many more have resulted in the Marxist tyranny we live under today. The political and cultural elites are deliberately selling their own people into Islamic slavery by allowing Islamic demographical warfare and by their reluctance to ensure a national indigenous fertility rate of 2,1.

Thomas Jefferson, the third President of the United States and the author of the US Declaration of Independence, stated;

"The tree of liberty must be refreshed from time to time with the blood of patriots and tyrants."

He also wrote:

"That whenever any Form of Government becomes destructive of these ends, it is the Right of the People to alter or to abolish it, and to institute new Government, laying its foundation on such principles and organising its powers in such form, as to them shall seem most likely to effect their Safety and Happiness. [...] It is their right, it is their duty, to throw off such Government, and to provide new Guards for their future security."

Refreshing the tree is now long overdue as our countries are in a rapid state of disintegration. It is VITAL and essential for the survival of European civilisation and each respective Western European country that we refresh the tree of liberty. The intention of

the National Resistance Movement is to do exactly that; to refresh the tree of liberty, and obviously not to cut it down. Refreshing the tree of liberty involves a coup supported by a significant portion of European patriots. It is impossible to guarantee a democratically sanctioned coup as we have to keep in mind that Europeans have been brainwashed now for two generations. Many will oppose us for our stance and call us fascist. Nevertheless, it is essential to acknowledge and understand that we are not. We are not fascists as we do not want a one party state. Only a coup (refreshing the tree of liberty) can ensure the long term survival of the democratic model. All coups involve the temporary suspension of the constitution. Thomas Jefferson himself knew that. However, the goal of the coup is, as stated, not to chop down the tree of liberty but to refresh it.

The cultural conservative tribunal, in light of their newly gained powers will implement the following reforms:

1. Security measures

a. Place patriotic minded individuals in charge of all branches and sub groups of the military, customs, the police force and the intelligence agency where this is necessary.

b. Further develop and maintain a force of "patriotic transitional guards" consisting of 3000 per million citizens minimum. This loyalist military force will be administrated as an independent military branch and will be added in addition to existing security forces. They will oversee and contribute to the future deportation of all Muslims.

c. Deportation policies: All Muslims are to be immediately deported to their country of origin. Each family (family head) will receive 25 000 Euro providing they accept the deportation terms. Anyone who violently resists deportation will be executed.

2. Compensation for past war crimes and persecution

a. Financial compensation will be distributed to all nationalists/patriots and a public acknowledgement will be made of the several decade long unlawful political persecutions of nationalist oriented political activists since 1950 until today. Financial compensation and public acknowledgement must be granted to patriotic/nationalist minded contributors from all 8 political fronts who have been indirectly and directly persecuted in Western Europe since 1950.

b. A full pardon and financial compensation will be distributed to all patriotic minded individuals who have been or still are incarcerated in Western European jails.

A full pardon and financial compensation must also be granted to all the 100 000 or so incarcerated individuals in Western European jails who has been partly or fully condemned more harshly for their ideological beliefs, or who has been indirectly incriminated due to primary or secondary effects of multiculturalist political doctrines.

c. Reparations of 500 billion Euros will be paid to the Serbian people for war crimes committed by NATO, under US and European cultural Marxist orders, during the Balkan wars. The US and all European NATO countries are to pay reparations to the Serbian people (250 billion Euros for each block). Alternatively, European NATO countries may pay a smaller sum (50 billion Euros in reparations) providing that they commit financially and militarily to carry the majority of the cost relating to a future liberation of Kosovo and the rest of the Balkans from Muslim rule. See another section for specific details regarding how this operation is to be carried out.

3. Immunity from prosecution and punishment for traitors

All cultural Marxist/multiculturalist category A and B traitors will be granted immunity from prosecution and punishment provided they capitulate before Jan. 1st, 2020 and give their full and unwavering support to the transitional patriotic tribunal. A minimum requirement will be that they at least refrain from criticising the patriotic reforms.

Any cultural Marxist breakaway/dissenting faction who refuses to acknowledge our legitimacy before or during the transitional phase or any faction who directly or indirectly support violent opposition will be severely punished. All category A and B traitors who continue to oppose us will be executed.

4. An immediate removal of all multiculturalist political policies

All multiculturalist political doctrines (laws included) designed to deconstruct European culture, traditions, identities and nation states will be removed. Political reforms will be initiated aimed at public institutions, schools, universities with the goal of removing all multiculturalist policies and completely rewrite falsified multiculturalist school curriculums.

Multiculturalism and the primary destructive components of Marxism will be banned by law as an anti-European hate ideology.

Islam will be banned as a genocidal, anti-kafr hate ideology (this can obviously only be done after the national security situation is fully under control).

5. Implementation of nationalistic doctrines on all levels of society

This will include the following:

- a.** A re-emphasis on political support for the continuation of the cultural heritage and traditions of the indigenous populations. See other chapter for full description.
- b.** Choosing and implementing a new birth policy – the conservative model or the feminist model. Depending on which model is chosen; implement all relating policies and change the required laws in relation to the societal social structures. Without a fundamental change in our social structures we will be unable to meet the minimum requirement for a sustainable fertility rate: 2,1. See other chapter for full description.
- c.** Implement the political policies and laws which lay the foundation for the desired social structures. Our societies will go from being matriarchies to once again becoming patriarchies. See other chapter for full description.
- d.** Implementation of the new foreign policy (aid policies, diplomatic relations, general foreign affairs). The Balkans will be liberated from Islamic occupation. However, no measures will be taken against Turkey until the US implodes or bursts out into civil war due to multiculturalism. See other chapter for full description.
- e.** Appoint nationalist oriented individuals as heads in all public offices. Ensure that our media companies, publishing firms, schools and universities are no longer exploited as an arena where Marxist oriented individuals are allowed to influence and indoctrinate individuals. A special emphasis must be directed at the faculties of sociology, journalism and political science. See other chapter for full description.

f. Create liberal zones as a method to avoid conflict between cultural conservatives and individuals who seeks unrestricted freedoms. Liberal zones may be granted semi-autonomy. See other chapter for more details.

6. Media reforms and future restrictions

a. Campaigns will be initiated consisting of affirmative action of nationalistic minded individuals (anti-multiculturalists) to all broadcasting/news/media companies with a given distribution network. A minimum of 50% of all journalists should be nationalist oriented individuals (anti-multiculturalist). The news/media coverage of national and international political issues especially concerning security, defence, culture, social structures and immigration/deportation should reflect the new political climate. Efforts must also be made to counter any foreign psychological warfare campaigns and to prevent any foreign state from severely undermining the political transitional tribunal during this period.

b. Multiculturalist media programs which are directly or indirectly undermining national cohesion or the political doctrines related to newly adopted birth policies will be prevented or may be restricted to liberal zones of that country. There will be certain censoring of anti-national/Marxist programs until liberal zones has been created.

Destructive lifestyles must not be glorified as it undermines the new policy which includes the revitalisation of cultural confidence and a strengthening of national cohesion. Sex and the city lifestyles must not be glorified as it undermines the nations goal to increase the average birth rate from 1,5 to 2,1-2,3. However, this depends on which birth policy will be selected (the feminist birth policy will allow the continuation of displaying and glorification of certain negative lifestyles).

7. New civilisational goal: 20% of the annual national budget must be reserved for the furtherance of the nation. This will ensure a future of prosperity and a high living standard. These funds will be reserved for research and development in relation to science and technology. Under no circumstances should these resources be transferred to cover other deficits.

8. After the transitional period has ended

We will reform our democratical model from a "mass-democracy model" to a model more resembling the Russian system of administered democracy. The patriotic tribunal will remain as a guardian council after the transitional period has ended. Their primary tasks and roles will consist of the following:

- The national military command, the patriotic guard and the police forces will all be under the direct and full control of the of the guardian council and not the government. However, the government will have the right to decide just about any other matter with only a few exceptions.
- The guardian council will prevent hardcore Marxists/cultural Marxists from once again infiltrating the various sectors of society.
- The guardian council will ensure that the suicidal humanists and capitalist globalists do not misuse their influence in a way that significantly undermines the country or the people.
- The guardian council will ensure that the nation maintains a fertility rate of at least 2,1. If the government fails to reach this target, the guardian council may implement any and all measures necessary in order to reach sustainability.

- The guardian council will ensure that monocultural and cultural conservative doctrines are enacted.
- The guardian council may veto any resolution but should under optimal circumstances never have to exercise this right.

General demands from the people which are covered in the above policies

1. The right to maintain our traditional majorities in our own lands, control our own sovereignty and our own self-determination. We do not wish harm or ill-feeling toward any other peoples on earth, but we assert the right to maintain our own majorities in our own lands without being accused of "racism." We reject current trends, institutionalised through multiculturalism, which preach that we have no right to oppose, control or lessen unlimited immigration from non-indigenous cultures.

2. The right to teach our children our cultures, languages, historical interpretations, religious celebrations and traditions unimpeded. We reject educational trends, , institutionalised through multiculturalism, which encourage our children to forget or despise their culture, traditions, religious practices and history in order to avoid offense to non-indigenous European residents or citizens.

3. The right to maintain, cherish and practice our own indigenous religious holidays and celebrations. We reject out of hand current trends, institutionalised through multiculturalism, which preach that traditional indigenous European religious or cultural celebrations such as Christmas are somehow "racist" or "non-inclusive" and therefore must be "downgraded," "renamed" or otherwise de-emphasised or eliminated in order to avoid offending non-indigenous European residents or citizens. We reject current policies which establish that our indigenous cultures are somehow deficient and therefore are not complete until they are "enriched" by other, non-indigenous cultures.

4. The right to maintain, cherish and display our own indigenous religious, national, ethnic and cultural symbols. We reject out of hand current trends or policies, institutionalised through multiculturalism, which preach that our national flags or ethnic symbols of centuries standing are somehow "racist" or "non-inclusive" in order to avoid offense to non-indigenous European residents or citizens.

5. The right to maintain, cherish, protect and display our own indigenous cultural expressions such as music, artwork and sculptures. We reject out of hand current trends or policies, institutionalised through multiculturalism, which preach that indigenous European cultural expressions such as statues of boars, folkloric tales about pigs or dogs, paintings with Christian or Classical pagan themes, war memorials with a Christian theme, etc., should be removed from public view, banned, destroyed, modified or otherwise threatened in order to avoid offense to non-indigenous European residents or citizens.

6. The right to maintain, cherish and protect indigenous burial sites, structures, buildings, churches, museums and other public works and structures from destruction, modification or other changes. We reject out of hand current trends or policies, institutionalised through multiculturalism, which establish that indigenous public works and structures must be changed or modified to avoid offense to non-indigenous European residents or citizens, or to "make way" for structures or public works that benefit non-European residents or citizens (i.e. digging up indigenous graves that are centuries old in order to "make room" for non-indigenous cemeteries, removing external Christian

symbols and statues from churches, etc.)

Mr. Franco Frattini of the EU Commission, the unelected and unaccountable government for nearly half a billion people, has stated that Europeans should accept further tens of millions of immigrants within a generation. The British Foreign Minister Milliband stated late in 2007 that the EU should expand to include Muslim nations in North Africa and the Middle East. The French President Sarkozy and the German Chancellor Angela Merkel confirmed this early in 2008. This is part of an organised attempt to surrender Europe to Islamisation that has been going on for decades. Since the European Union involves the free movement of people across borders, European leaders are opening the floodgates to tens of millions of Muslims and other non-indigenous peoples at a time when native Europeans fear for the survival of their civilisation and feel like aliens in their own cities. Meanwhile, Ernst Uhrlau, the president of Germany's foreign intelligence agency, warned about the rising assertiveness of violent Jihadist organisations in North Africa.

Based on this evidence, the European Union, all MA100 political parties (Multiculturalist Alliance 100, European political parties in support of multiculturalism), and other political entities influencing European decision-making, can hardly be seen as anything other than criminal organisations dedicated to the demographic dispossession and cultural marginalisation of the indigenous peoples of an entire continent. Consequently, the EU should be immediately dissolved. Native Europeans should demand that we have an interim period with public de-Eurabification, where the lies propagated by pro-Islamic Multiculturalists should be removed from our history books, and a proper respect for European cultural traditions should be restored. Those individuals and officials on senior levels who have participated in the creation and/or implementation of European multiculturalism/"the Eurabia project" should stand trial for crimes against their civilisation.

3.4 Why armed resistance against the cultural Marxist/multiculturalist regimes of Western Europe is the only rational approach

Multiculturalism, like drugs, is an insidious weapon. Both destroy the heart and fabric of a people. All ties to family, community, and one's people as a whole are destroyed by these two opiates of the human mind. Both are sponsored from the top down by one world elitists bent upon creating a world order who's power is such that its subjects possess no potential for resistance.

By its very nature every emerging police state seeks to harness both the power of the state and the people to its will. When calls are made for support of cryptic slogans such as war on crime, drugs, terrorism, hate, poverty, etc. what is really meant is "grant power to the state and applaud the rape of your freedom." In sum: multiculturalism is another program designed to create the subjects of a Police State without borders. When coupled with the "war on drugs" and "war on terrorism," Orwell's world of endless war is realised. It would be their world, their orders, and nothing new, for a lust for despotism is as old as mankind himself.

The anti-thesis of multiculturalism is moral, religious, and cultural solidarity among the people of a nation. So is the belief in one's self and the ultimate good of his people. A cohesiveness that produces a national vision, with set boundaries of acceptability and unacceptability in the affairs of a nation, while allowing for the natural differences in men. Multiculturalism as a tool of warfare becomes impotent and rejected in such an environment.

A necessary first step toward recovery is to look at politics, social policy, and government emanating from Brussels with new eyes, unclouded by a lifetime of false information and deception propagated by elitist sponsors. Pretending any longer that the bought and paid for political prostitutes in your parliament and the EU parliament represent you or anyone you know is tantamount to cutting your own wrist with a razor blade. Self-destructive behaviour may qualify one for government "protected class status" under diversity laws, but it will not save you, your family, or your nation.

Democratical struggle through dialogue and armed oppression and/or resistance have always gone hand in hand.

War or armed resistance has traditionally always been used as a last resort, used when dialogue has proven to be ineffective. The justification for use of armed resistance against the European cultural Marxist/multiculturalist systems is tied to the outlook for cultural conservative political success. You have to ask yourself; is it remotely possible under the current conditions that a conservative, monocultural political party will ever gain substantial political influence? An increasing number of Europeans are opening their eyes to the reality that the democratical struggle through dialogue has been lost. The cultural Marxists have institutionalised multiculturalism and have no intention of ever allowing us to exercise any political influence of significance. In theory we, the cultural conservatives of Europe, have become slaves under an oppressive, tyrannical, extreme left-wing system with absolutely no hope of reversing the damage they have caused. At least not democratically..

It is meaningless to participate in the democratical process when you are not allowed to raise important issues without being subjected to political and social persecution through stigmatisation and ridicule. It is time to acknowledge that we, the cultural conservatives of Western Europe, are deceiving ourselves to believe that it is remotely possible to change the system democratically.

The continuation of the ongoing peaceful dialogue with the cultural Marxists/multiculturalists only serves to further diminish our demographical advantages.

They are growing stronger while we are being weakened every year. It is counter-productive, even lethal to waste another five decades on meaningless dialogue while we are continuously losing our demographical advantage. We have never and will never be allowed to ever exercise any influence. The cultural Marxist/multiculturalist elites nationally and in Brussels have for the last five decades created a resilient system whose objective is to ridicule, persecute, harass and silence us. They will continue to systematically marginalise us until the day when we are no longer a threat to them.

The following arguments will further underline why any democratical or peaceful cultural conservative victory of significance is impossible:

Cultural Marxist institutionalised ideological coercion and brainwashing



Western Europeans are today being ideologically coerced and brainwashed from young age as multiculturalism has been institutionalised (in all government spheres). By doing so they are systematically modifying people's social and political philosophy and instilling certain attitudes and beliefs with the aim of affecting individual value systems and subsequent thought-patterns and behaviours. This has been done by creating, justifying, propagating and implementing the European hate ideology known as multiculturalism, the use of falsified or biased statistics, falsified or biased sources, biased coverage of global conflicts and systematically labelling everyone who opposes the "cultural Marxist/multiculturalist/extreme egalitarian" world view as bigots, racists and fascists (sub-human).

Corruption and feminisation of political parties and individuals by indirect/direct coercion

You cannot become the government unless you bow to the views of the 'Centre-Left' Multiculturalist media elite, especially the broadcast media elite.

Very few politicians manage to maintain their integrity, their honour and truthfulness throughout this process. More or less every political party and a majority of individuals will ultimately become corrupted by Cultural Marxist doctrines. Almost everyone will eventually be swayed into supporting the Multiculturalist world view.

More than 85% of Western European politicians and more than 95% of EU parliamentarians support the cultural Marxist/multiculturalist world view (European multiculturalism).

Yet, almost 50% of Europeans would support a cultural conservative world view. Very few will admit it as open support will involve certain stigmatisation. In other words, the politicians, in an anti-democratical manner are acting against the wishes of Europeans and have been for decades.

Systematically import of multiculturalist/socialist voters

Year after year, Islam is growing rapidly in Western Europe; from 50 000 in 1955 to 25 million today, in 2008. Islam will continue to increase through demographical warfare (high birth rates combined with immigration) from 5% to 10, to 25 until it reaches 50%. For every newborn Muslim in Europe the cultural Marxists/multiculturalists will

automatically get one more vote. And as we all know 98% of Muslims give their votes to the Multiculturalist Alliance, the "MA100" (pro-multiculturalism European political parties), the enablers of Islamisation. The MA100 political parties are thus selling their own people into Muslim slavery.

85% of all Muslims vote for Socialist parties (according to Norwegian statistics). 99% of all Muslims vote for pro-Multiculturalist parties (according to Norwegian statistics). There is no reason to believe that these statistics are not representative for other Western European countries.

Cultural Marxist/multiculturalist/suicidal humanist/globalist media

"[In the West] unpopular ideas can be silenced, and inconvenient facts kept dark, without any need for an official ban."

George Orwell, UK writer



The cultural Marxist media (politically correct MSM) are actively propagating multiculturalism and anti-traditionalism/nationalism and are therefore actively contributing to the annihilation of European identities, cultures and national sovereignty. The thinking seems to be that if you scratch any random European there is usually a Nazi lurking underneath, just waiting to get out. There are only two possible versions of Europeans: the politically correct "surrender-monkeys" and the Nazis. If we are not the former, then it follows by logic that we have to be the latter. This attitude betrays an all-pervasive hatred that demonises absolutely anything Europeans do to protect their dignity, culture and heritage. It closely mirrors multiculturalism, which is an anti-Western, but especially an anti-European hate ideology.

Ask yourself, do you know a single media company who openly opposes multiculturalism and the cultural Marxist/multiculturalist world view? More than 95% of journalists, editors, publishers support the Islamisation of Europe indirectly or directly by supporting and propagating the European multiculturalist world view[3]. Yet, almost 50% of Europeans would support cultural conservative policies. Very few will admit it as it would involve certain stigma. In other words, the so called "free press" is not free at all. The mainstream media has been hijacked by cultural Marxists, humanists and globalists and are not acting in the interest of Europeans and Europe.

The Muslim riots in France, on July 8th-15th, 2009, illustrated this well. The French Interior Ministry issued orders to the prefects not to communicate to the media the crime statistics and other essential information. Furthermore, mainstream media companies were specifically instructed not to cover the riots as the Interior Minister ordered a full Media Blackout. In addition; *Orders not to speak to the media were given to firemen, gendarmes and police.* Leaks indicated however that aprox. 800-1500 cars, tens of buildings and forests were burned down in this period, more than 13 police officers were injured and more than 300 Muslim youths arrested[1][2]. The frightening thing is that no mainstream media companies (Western Europe/US) reported anything about this to their populations. This specific incident and hundreds of "similar" incidents prove that the cultural Marxist/multiculturalist governments and the media companies are colluding against their people by doing everything to keep the truth from them. They know that

the multicultural doctrines will lead us to disaster but are intent to continue to propagate, implement and "protect" the European multiculturalist system, despite how much human misery it will result in along the way (just like Soviet Russia during the 70s and 80s).

Sources:

1. http://atlasshrugs2000.typepad.com/atlas_shrugs/2009/07/media-blackout-violence-in-france.html
2. <http://www.brusselsjournal.com/node/4015>
3. http://www.document.no/2009/05/intet_nytt_blant_norske_journa.html

News corporations, controlled by cultural Marxists/multiculturalists, full scale war against cultural conservatism/nationalism.

This involves thousands of examples of character assassinations (everything from a hatchet job on a Bruce Bawer book portraying him as a "foam-around-mouth-racist to ignoring other essential works completely) and other direct attacks and deliberate "media blackouts" regarding Muslim riots (and other issues they do not wish to cover) in Western Europe.

On September 14th, 2009, a person I am familiar with was contacted by a friend who works for a major Norwegian news agency. He told him about something terrifying and upsetting he had been witness to regarding the coverage of the Gøteborg intifada (Muslim Riots in Gøteborg, Sweden during Ramadan in August/September). According to him, all major news agencies in Norway (in cooperation with the largest Swedish news agency) had made an alliance in order to prevent the truth from getting out, or at least keep the truth from getting out for as long as possible and at least until after the Norwegian elections September 13th.

His exact words were;

"It is a dangerous road we are walking when the truth is systematically held back and when we are willing to go this far in order to cover up the consequences of the multicultural society. This has been allowed to develop to a degree where it is a democratical problem. "

It is really disturbing how the major news agencies managed to reach a consensus regarding this deliberate cover-up or "media blackout" with the intention of censoring the riots. How was it possible that we would end up with a synchronised media corps which is willing to go this far to hold back the truth from the Norwegian/Swedish people about something so important?

The following log describes how this transpired:

August 21/22nd – reports are received in major news desks regarding Muslim riots in Gøteborg, Sweden. An article is created in one agency but the chief editor decides not to publish it.

August 22nd – a manifest of Jihad is posted in Rosengård, Sweden, Norwegian media companies are informed about this on the 23rd. It is clear now to many of the chief editors in the major Norwegian news agencies that this indicates that the rioting will continue and that it is indeed news worthy. However, most of them assume (hope) the riots will end within a week at most.

August 23rd – Early in the morning, the chief editor in *Aftenposten*, Hilde Haugsgjerd was contacted by Jan Helin in the major Swedish newspaper *Aftonbladet* where she is asked to keep a lid on the story and/or at least write as little as possible about the riots. She is told to inform other Norwegian chief editors. It is unknown what else was discussed.

After this phone call with Jan Heling, Hilde Haugsgjerd calls the chief editor in *Dagbladet*, Anne Aasheim where they agree that this is a story which could significantly benefit the Norwegian Progress Party (FrP, the only anti-immigration party) as it would put immigration/asylum seeker/Islam related discussions on the agenda just before the elections. This must be prevented at all costs. They agree to contact chief editors in all major Norwegian news agencies and hold a teleconference where they discuss this issue later that day (it should be noted that ALL Norwegian news agencies are supporters of multiculturalism with many of its key personnel with political Marxist/pro-multiculturalist background). According to the source, it has been confirmed that the following individuals participated in the teleconference:

Editor of *VG Nett*: Espen Egil Hansen (on behalf of Bernt Olufsen), Hans-Tore Bjerkaas (editor in *NRK*), Carsten Bleness (editor in *Dagsavisen*), Jan Ove Årsæther (editor in *TV2*), Hilde Haugsgjerd (*Aftenposten*) and Anne Aasheim (*Dagbladet*).

According to the source, there was a tense mood among the participants. Espen Egil Hansen and Jan Ove Årsæther suggested to give the story "some" coverage so that there would be no speculations concerning the fact that Norwegian news agencies had censored the riots if they lasted longer than expected. They drew parallels to the Paris riots and discussed that it could escalate. According to the source, Anne Aasheim raged at Espen Egil Hansen and Jan Over Årsæther and accused them of promoting racism and helping the Progress Party election apparatus (FrP) by wanting to cover the riots.

They all agreed in the end that the most pragmatical approach was to not cover the riots at all and to inform other editors in different news agencies to deliberately ignore it as well.

August 28th – two murder attempts on Swedish police officers and multiple arsons of cars and buildings results in a situation where the major Swedish news agencies are "forced" to cover the riots to a certain degree. As before, it is decided that the word: "Islam", "Muslim", "Jihad" or "intifada" shall not be included in any articles or reports (this is a common consensus among European MSM in general).

An increasing amount of tips (and demands from individuals to cover the events) pours in to the Norwegian news desks but still they all refuse to cover it (only 1-2 weeks until the Norwegian elections).

6-8 September - They manage to maintain censorship until around September 6-8th. After that, reports are starting to be published on independent blogs and these events are being distributed on the internet. Many individuals on online forums are demanding that the MSM cover the events and they are calling it an outrage and un-democratic behaviour. The pressure increases on the news agencies.

At this point, Hilde Haugsgjerd starts to doubt whether it is too risky to continue the media blackout. She is starting to experience increased pressure from her own staff (*Aftenposten* used to be a cultural conservative news paper up to 1972, when it was infiltrated by cultural Marxists, and is still regarded as the most conservative of the MSM news agencies). After a few phone calls back and forth among the editors during this time the issue is discussed again and they are evaluating the possibility to end the censorship. However, they all agree to continue with the media blackout.

September 13th (1 day before the Norwegian election) – Hilde Haugsgjerd makes a call to Anne Aasheim and tells her that she is going to publish a short article about the riots, but that she will make it moderate (scaled down) and will ensure that the article is not highlighted. This decision is made to create a sort of alibi so that conservatives cannot claim that *Aftenposten* is deliberately plotting against the Norwegian people by participating in non-democratic activities (deliberate media blackouts). At this point there are loud discussion on various forums and blogs about the MSMs “full scale war” against the Progress Party (FrP).

Some of the explanations used to conservatives who have demanded coverage in this period (regarding the Swedish, British, French riots) include:

- *NRK*: Three different explanations: “Not newsworthy” and “we haven’t heard anything about this” and “the decision to cover this story is under consideration”.
- *TV2*: “We haven’t heard anything about this”
- *Aftenposten*: “Our reporter (who was about to cover this) is sick, we will cover it shortly”

September 14th – Norwegian elections – Progress Party result: 22,9% (down 6-8 percentage points from earlier polls due to intensive media attacks from a synchronised news corps for eight weeks straight.

September 20th – *NRK*, the Norwegian state channel, is now (after 6 weeks!) running a television broadcasted story about the intifada in Göteborg, Sweden, one week after the election...

Conclusion:

All major news agencies in Norway deliberately conspired (and continue to conspire) against the Norwegian people and sabotaged the 2009 election by initiating media blackouts of essential events (the Muslim intifada in Göteborg, the Muslim riots in several places in the UK and the Muslim riots in France a couple of months earlier). Not only did they “rob” the the Progress Party of essential coverage which would have guaranteed the party at least 28-30% of the votes (if these events had been given the appropriate coverage and attention). Every single news agency (some of which had been neutral towards the Progress Party in many cases) synchronised a “full scale media/labeling war” (employing primarily scare tactics and various other attacks) against the Progress Party eight weeks before the election. At this time the Progress Party was at 28-30% on multiple polls and I guess the MSM panicked (as the following 8 weeks of synchronised war campaign indicates).

At the end of the day, they, the major news agencies succeeded in sabotaging the election again and ruining the FrP turnout. FrP bled during this media war campaign and lost 6-8 percentage points, ending on 22,9%.

The almighty Norwegian/Swedish cultural Marxist media corps significantly manipulated the Norwegian election and the cultural Marxist/multiculturalist government (consisting of the Labour Party, Socialist Left Party and Center Party) were allowed to continue their old path of mass-Muslim immigration (colonisation) and Islamisation of Norway.

These types of un-democratic media strategies are not limited to Norway/Sweden but are prevalent in all Western European countries. France is a very good example where media blackouts are increasingly common (even by ministerial instruction).

There is no such thing as a "free press" in Western Europe and there haven't been since the last cultural conservative (critical of multiculturalism) news agencies were infiltrated during the 1970s. A majority of Western European countries do not have a single cultural conservative news agency left which is contributing to paralyze our democracies by making them dysfunctional. This again contributes to radicalise moderate cultural conservative forces because an increasing number of people feel that we are now living in a repressive totalitarian cultural Marxist/multiculturalist state.

There is no democracy in Western Europe, and Norway and Sweden are two of the world's most repressive Marxist regimes.

You are not democratic unless you are a cultural Marxist/ multiculturalist?!

Israel's ambassador to Sweden has been summoned[1] by Sweden's foreign office to discuss the diplomatic discord following an article in a national newspaper[2] claiming Israeli soldiers harvest the organs of dead Palestinians. The diplomatic spat has its source in the decision by the *Aftonbladet*[3] newspaper to publish the article which details allegations of the systematic harvesting of the organs of Palestinian men. The Israeli foreign minister Avigdor Lieberman compared the allegations to old antisemitic lies. "It is regrettable that the Swedish foreign ministry does not intervene when it comes to a blood libel against Jews, which reminds one of Sweden's conduct during World War II when it also did not intervene," an Israeli government statement quoted Lieberman as saying.

Sweden's foreign minister Carl Bildt[4] has rejected calls from Israel for the government to distance itself from the newspaper article. Writing on his blog[5], Bildt argues that Sweden's free press and tradition of free speech are the best defence against "breaches of judgment, bad taste and transgressions of core societal values." "There are calls from some quarters in Israel that we in some way or another should take an official position to distance ourselves from this article or even to intervene to prevent such an article being published," Bildt states. "But our country does not work that way - and neither should it." The foreign minister concludes by defending the importance of protecting free speech.

The fact that the anti-Israeli and anti-American writer Helle Klein, for many years the political editor of *Aftonbladet*, at her blog[6] also speaks warmly of "free speech" is such an extreme case of hypocrisy that it simply cannot go unanswered. Free speech does not exist in Sweden. Although some countries such as Britain and Belgium are trying hard to claim the title, I would personally rate Sweden as being probably the most totalitarian and politically repressive country in the entire Western world as of 2009, and *Aftonbladet* has made substantial contributions to this repressive climate. Sweden has huge problems caused by mass immigration, and Muslim immigration in particular, but speaking honestly about this is absolutely taboo among the mainstream media. According to journalist Karen Jespersen[7], Helle Klein has stated that "If the debate is [about] that there are problems caused by refugees and immigrants, we don't want it." Opinion polls have revealed that two out of three Swedes doubt whether Islam can be combined with Swedish society, yet not one party represented in parliament has been genuinely critical of the immigration policies, and there is virtually no real debate about multiculturalism and Islam.

As I have stated in my essay *Why Europeans Should Support Israel*[8], the demonisation of Israel should be rejected not just because of Israel, but because of Europe. The very same people who are demonising Israelis are also demonising native Europeans who resist the Islamisation of their lands and the state-sponsored colonisation of their countries by alien peoples. The truth is that Israelis defend themselves so that their

daughters do not have to suffer rape at the hands of Muslim Jihadists, the way the authorities in Western European countries, and in Sweden in particular, allow to happen every single day. Here are a few relevant quotes from the chapter *The Case of Sweden*[9], taken from my book *Defeating Eurabia*[10]. I suggest that Israelis send some of these quotes to *Aftonbladet*, Helle Klein and Carl Bildt and challenge them with the information it contains:

The Swedish organisation Expo has demonstrated a willingness to "share information" with radical groups of "anti-Fascists" in Antifascistisk Action (AFA). The thugs of AFA in the spring of 2008 destroyed[11] the car of an elderly woman and wrote "nasse" (Nazi) on top of it. As it turned out, they picked the wrong car. Yet years of such attacks against private citizens have not prompted the authorities to crack down on their activities.

Leading newspaper *Aftonbladet* has close ideological ties to the Social Democrats, the country's dominant party for most of the past century. Helle Klein, its political editor-in-chief from 2001 to 2007, during a demonstration organised by Islamic and anti-racist organisations in December 2006 stood in front of a banner which read "A Sweden for all - Stop the Nazi violence" and held a speech warning against Islamophobia in the media. Klein has voiced sympathy for terrorist organisation Hamas[12] in her editorials while warning against the threat posed to world peace by Israeli aggression and the Christian Right in the USA[13]. Hamas is a Fascist organisation openly calling for mass murder of Jews. Violent attacks against Jews in Europe in 2008 are to an overwhelming degree caused by Muslim immigration, which is encouraged by the EU and the national political elites. The irony of warning against "Nazi violence" while showing sympathy for an organisation that wants to finish what the Nazis started apparently doesn't strike Ms. Klein.

One of Klein's fellow columnists at *Aftonbladet*, the long-time Communist Robert Aschberg, is the publisher of *Expo* magazine. Leading Expo member Charles Westin in October 2007 published the book *Brunt!* ("brown," as in "Fascist"), where he let members of AFA contribute some of their intelligence regarding "right-wing extremists," among them people associated with the legal party the Sweden Democrats. In addition to Mr. Westin, the book was co-authored by Mats Deland, who is a journalist in *Aftonbladet*. Why is it considered OK that a representative of one of Scandinavia's largest newspapers, with ties to the country's largest political party, thus associates himself openly with an organisation known for physically assaulting members of a legal opposition party, even in their private homes?

Before the elections in 2006, the established parties cooperated in boycotting the Sweden Democrats and other "xenophobic" parties. In one of many similar incidents, which extreme Leftists bragged about on the Internet, around 30 members of the SD were attacked during a peaceful, private party outside the town of Växjö. The brave "anti-Fascists" threw tear gas into the building, forcing people outside where they were beaten with iron bars and axes. Open, aggressive and sometimes violent harassment of critics of the country's immigration policies has been going on for years while the authorities have largely turned a blind eye to the problem. Seemingly encouraged by the silence from the establishment to political violence, extreme Leftists have stepped up their attacks to include mainstream parties. Sweden is witnessing the greatest explosion of street violence in its history, and a woman is raped every two hours. Expo, which is backed by the media and the major parties, has been campaigning against the Sweden Democrats for years. Daniel Poohl from the unelected organisation Expo states[14] that it's "not undemocratic" to deny the SD access to political influence.

According to Jonathan Friedman, an American Jew working in Sweden for years, "no debate about immigration policies is possible, the subject is simply avoided. Sweden has such a close connection between the various powerful groups, politicians, journalists, etc. The political class is closed, isolated." The elites are worried to see their power slip away

and therefore want to silence critics, for instance the Sweden Democrats, a small party opposed to immigration: "It is a completely legal party, they just aren't allowed to speak....In reality, the basis of democracy has been completely turned on its head. It is said: 'Democracy is a certain way of thinking, a specific set of opinions, and if you do not share them, then you aren't democratic, and then we condemn you and you ought to be eliminated. The People? That is not democratic. We the Elite, we are democracy.' It is grotesque and it certainly has nothing to do with democracy, more like a kind of moral dictatorship."

As Bruce Bawer writes in the article *While Sweden Slept*[15]: "Sweden Democrats have been the targets of events that recall China's Cultural Revolution. Staged 'people's protests' by members of the 'youth divisions' of other parties have led to the firing of Sweden Democrats from their jobs. A few weeks ago, a junior diplomat was dismissed when it became known that he was a member of the party and had criticised his country's immigration policy. On several occasions, thugs loyal to the ruling parties have broken up SD meetings and beaten up party leaders." What do the governments in countries like Norway and Sweden do about it? They continue to fund their Marxist lynch mobs as they are successfully silencing their annoying political rivals.

Source:

http://atlasshrugs2000.typepad.com/atlas_shrugs/2009/08/fjordman-at-atlas-.html

1. <http://www.thelocal.se/21606/>
2. <http://legal-dictionary.thefreedictionary.com/newspaper>
3. <http://encyclopedia.thefreedictionary.com/aftonbladet>
4. <http://www.thelocal.se/21600/>
5. <http://carlbildt.wordpress.com/2009/08/20/principer-och-praktik/>
6. <http://blogg.aftonbladet.se/helleklein/2009/08/sanslos-israelisk-debatt>
7. <http://snaphanen.dk/2005/02/19/karen-jespersen-har-sverige-ytringsfrihed/>
8. <http://www.brusselsjournal.com/node/1965>
9. <http://gatesofvienna.blogspot.com/2008/10/defeating-eurabia-part-4.html>
10. <http://www.amazon.com/Defeating-Eurabia-Fjordman/dp/1409247155>
11. <http://www.globalpolitician.com/24545-sweden>
12. <http://gatesofvienna.blogspot.com/2007/06/hamas-has-friend-in-sweden.html>
13. <http://www.aftonbladet.se/ledare/ledarkronika/helleklein/article207441.ab>
14. http://expo.se/2008/48_2165.html
15. <http://www.nysun.com/article/44831>
16. <http://43.294.5.381subf12:Nbvbege966589423576ДЛЪ>

Also see "2.67 Democracy not working".

One against all – cultural conservatives are quarantined and demonised

Even if a moderate right wing political party (against all odds) manage to gain certain influence by avoiding cultural Marxist/multiculturalist attacks they will not be able to accomplish anything unless they get more than 50% of the votes. It is quite common for pro-multiculturalists to agree on a "cordon sanitaire", a well known and fundamentally un-democratic containment policy used by the cultural Marxist/multiculturalist political parties to "quarantine" cultural conservative parties in France, Belgium, the Netherlands, Sweden, Spain and several other countries. Though in French the term originally denoted a barrier implemented to stop the spread of disease, its use in English is almost always metaphorical and political, and refers to attempts to prevent the spread of an ideology deemed unwanted or dangerous.

A "cordon sanitaire" has been agreed upon by the establishment against the Swedish party: Sweden Democrats, in France against the National Front and several other countries.

The most successful anti-Islamisation party in Europe; the Norwegian Progress Party (22% last election) has achieved absolutely nothing during the last eight years. They have presented hundreds of new bills and suggestions related to Islamisation and re-introducing cultural conservative policies but more than 95% of them have been rejected (due to the fact that all the other parties support multiculturalism and an appeasement approach).

EUSSR political terror and persecution

An increasing number of people will come to realise that a democratic victory in Europe is not possible. The "Austria/Haider incident" is a good illustration. As soon as a government is elected which opposes the "EU's Eurabia project/European multiculturalism" they are immediately and effectively neutralised. In Austria's example, EU imposed 7 months of sanctions and rallied the world's cultural Marxist/multiculturalist media organisations. There is ample evidence by reviewing the coverage during these events that the EU leaders and the European mainstream media deliberately launched a campaign of psychological warfare with the strategy of terrorising the Austrian population in order to achieve the goal of turning them against their leadership. The Austrian population was effectively coerced into changing their views as it is unbearable to be portrayed as "a country full of Nazis" by the world press.

Quick summary

- 1.** We are subject to cultural Marxist/multiculturalist institutionalised ideological coercion and brainwashing through government institutions. Private institutions are forced to conform to the same cultural Marxist/multiculturalist principles.
- 2.** More or less every media organisation is propagating cultural Marxist/ multiculturalist principles. "Free press" in Western Europe does not exist. The mainstream media has been hijacked by cultural Marxists/multiculturalists and are not acting in the interest of Europeans and Europe. There is no freedom of speech in Europe. If you don't cheer and embrace your own annihilation you are a racist bigot, an enemy of the establishment and must be suppressed, ridiculed, undermined and persecuted. This policy of oppression and persecution has been ongoing since the creation of multiculturalism in the 50s, 60s and 70s.

Political, cultural and media elites are colluding against the interests of free indigenous Europeans.
- 3.** The cultural Marxists/multiculturalists systematically import millions of voters which increases their political position from year to year. It is simply not possible to compete democratically with regimes who import millions of voters.
- 4.** Right wing political parties fight an up-hill battle and every single bill and suggestion is ultimately rejected. This leaves the cultural conservatives (anti-multiculturalist) parties in Western Europe with zero influence. As such, the right wing parties indirectly contribute to pacify the cultural conservatives of Europe by giving them false hope. Instead of telling their sympathisers to give them their vote they should admit to everyone and announce publicly that the democratical struggle has been lost and that all cultural conservatives should initiate armed resistance against the cultural Marxist/multiculturalist establishment.

3.5 A new era has come - the time for dialogue is now over

“Those who make peaceful revolution impossible will make violent revolution inevitable.”

John F. Kennedy

The cultural Marxists have for more than 50 years disregarded the will of the majority of Europeans. The time for dialogue is now over. The time for armed resistance has come.

The most basic human right is to defend oneself against deliberate cultural attacks or even an institutionalised cultural genocide of unprecedented historical proportions. It's not just a right but a duty for all Europeans to defend oneself against such atrocities through armed struggle. We call upon you, fellow Europeans. Stop complaining and instead fight by our side.

We, the patriotic Europeans, will continue to effectively revolt against the “Nazis of our time”; the cultural Marxist/multiculturalist elites, who are leading us to the cultural slaughterhouse by selling us into Muslim slavery.

Yes, we have lost the democratical struggle to defend Europe from deliberate cultural annihilation. As more people realise this we will see an increasing number of Europeans joining our ranks to fight by our side.

Many brothers and sisters have fallen already, the pioneers, the brave heroes, and the first to pick up their guns. We are the legacy of these first “unknown” pioneers. We did not want this but we are left no choice. Armed struggle is the only rational approach.

We, the free indigenous peoples of Europe, hereby declare a pre-emptive war on all cultural Marxist/multiculturalist elites of Western Europe.

And we have a very clear message for you:

We know who you are, where you live and we are coming for you. If not today, then tomorrow, if not in 10 years, then in 50 years. We are in the process of flagging every single multiculturalist traitor in Western Europe. You will be punished for your treasonous acts against Europe, and Europeans. We will ensure that all category A and B traitors, the enablers of Islamisation and the destroyers of our cultures, nations and societies, will be executed and your property expropriated.

It will take us up to 70 years to win, but there is no doubt in our minds that we will eventually succeed. Quite ironically, the ongoing Islamisation that you so actively facilitate will be your downfall. Soon enough, the desperate cries of the European masses will indicate that your Multiculturalist regimes are near their end.

The Western European cultural Marxist/multiculturalist regimes will fall before 2083, of that you can be certain.

3.6 Explanation of the European Civil War - Phase 1, 2 and 3

Phase of Dialogue, 1955-1999

- From the creation of EU's Eurabia project in combination with the implementation of cultural Marxism (European multiculturalism) in 1955 to the NATO bombing campaigns of Serbian forces in 1999 authorised by criminal Western European and US leaders.

European Civil War, Phase 1 – 1999-2030

- Islam, 2-30% based on country
- Open source warfare, military shock attacks by clandestine cell systems.
- Further consolidation of conservative forces.

European Civil War, Phase 2 – 2030-2070

- Islam, 15-40% based on country
- Consolidation continues, more advanced forms of resistance groups.
- Preparation for pan-European coup d'états.

European Civil War, Phase 3 – 2070-2083

- Islam, 30-50% based on country
- Pan-European coup d'états. Cultural Communism/multiculturalism defeated in the first European country followed by the rest.
- The implementation of a Cultural Conservative political agenda begins.
- Execution of cultural Marxist/multiculturalist category A and B traitors initiated.
- Deportation of Muslims initiated.

3.7 There are four potential outcomes of Phase 2 and 3

- 1.** The Multiculturalist Alliance might attempt to create several "mini-Pakistan's" within Europe (granting Muslims territory/autonomy). This must be stopped at all costs.
- 2.** Reformation of Islam resulting in a secularised and impotent version who rejects larger parts of Sharia law, the concept of Quranic abrogation, Al-Taqiyya, Jihad and every "intolerant" sura and hadith. This scenario is very unlikely due to the fact that it would only be supported by the secular Muslims.
- 3.** Coup - European Resistance Movements with the assistance of the national militaries will successfully overthrow the cultural Marxist/multiculturalist regimes of Western Europe resulting in Muslim deportations (relatively few casualties). This scenario is the preferred outcome.
- 4.** Civil war (cultural conservatives vs. cultural Marxists and Muslim forces) - resulting in atrocities committed by both sides (Lebanon/Serbia variants). Atrocities such as acts of genocide or unchecked pogroms might be a result in scenario 1. 2. 3. or 4. Many inhabitants will flee to the US, Russia, Australia or New Zealand.

One of the above scenarios is likely to happen before the end of Phase 2 (2030-2070) or in Phase 3.

3.8 Differentiating between and dealing with category A, B and C traitors: hardcore Marxists, cultural Marxists, suicidal humanists/career cynicists and capitalist globalists

One of the foundational problems in Europe today is that the multiculturalists and the suicidal humanists lie to everyone to preserve comfortable illusions. Political correctness is a mandatory lie in European societies.

The multiculturalists have traditionally cheered the most violent totalitarian movements in other parts of the world as "freedom fighters" (Islamic and communist organisations) while native Europeans in Denmark, Germany, the UK or France who peacefully fight against becoming a persecuted minority in their own country always are labeled as racists, fascists, Nazis and generally the worst scum of the earth. Why are so called Palestinians who fight for their own country "nice" while Europeans doing the same labeled as "evil"? The answer is simple: Because native Norwegians, Brits, French, Germans are white Christians and therefore evil by default according to multiculturalist doctrines.

It is expected that native Europeans shall humbly watch and applaud their own annihilation and extinction. The fact that we are persecuted and harassed in our own countries does not violate our human rights because we are white Christians and therefore evil by default.

It is a pretty terrifying prospect that the prevailing ideology that dominates Western Europe long term will result in the extermination of people like me and you. Nevertheless, it is the only plausible theoretical explanation of the current development. As such, multiculturalism is an inversed form of Nazism where white European Christians ends up at the bottom of the food chain instead of on top. Exactly how the Jews according to National Socialist doctrines automatically were blamed for everything that went wrong in society. Multiculturalisms doctrine teaches that "white racism" is the cause of all problems in our societies. The indigenous peoples of Europe are increasingly exposed to more violence, ridicule and persecution in cities all over Western Europe. This does not result in any sympathy whatsoever. The multiculturalists become increasingly hateful in their rhetorical attacks against us the more we are humiliated by Muslims, groups they mass import to our countries. This tells us everything we need to know about their real intentions.

As we all know a large portion of the multiculturalists lie about their motives when justifying mass Muslim immigration. The most common lie is the "humanist justification". If they were honest they would say the following:

We believe the typical European Christian man and woman, Christendom and European nationalism is the cancer of the world so we have decided to exterminate it. We will do this through multiculturalism. The next decades we will deconstruct European identity, European traditions, European culture, European Christendom and European nation states. This is a long term project that will involve new waves of the colonisation of Europe by the Islamic world etc.

Obviously, everyone with half a brain understands that this type of honesty would only result in violent uprisings. We, Europeans, would simply never accept it. This is why deceit is necessary and this is why all multiculturalists are using humanist principles as a deceptive mask to justify the overwhelming reforms we are witnessing today. Humanism is systematically exploited as a smoke screen by the multiculturalists and Muslim lobbyists that has resulted in liberal family reunification and political asylum

arrangements. These are political mechanics which facilitates Islamic demographical warfare.

Differentiating between Marxists, humanists, career cynicists and capitalist globalists

How shall we differentiate between hardcore Marxists, cultural Marxists, suicidal humanists/career cynicists and the capitalist globalists? The common factor here is that they all believe they are doing the right thing, so they all have good intentions, at least according to themselves. But this can also be said about Hitler, Stalin and Pol Pot. They were all idealists in their own twisted way. Regardless of their twisted intentions they are all mass murderers and must be treated as such.

The only thing that separates Hitler, Stalin, Pol Pot with today's cultural Marxists, suicidal humanists, career cynicists and capitalist globalists (multiculturalists) is that the tyrants of today are all directly responsible for the extermination of THEIR OWN people and intend to sell the rest into Islamic slavery. Never in the history of man has an ideology revolved around the concept of exterminating its own people. As such, multiculturalism is truly unique in human history.

The intentions of our enemies in relation to future executions and a possible new Nurnberg process (prosecution of category A, B and C traitors).

Mapping the enemy (definitions):

Traditional Marxists, cultural Marxists, suicidal humanists, career cynicists and capitalist globalists – all support and propagate multiculturalism

Proving each individuals real intention is a complicated process as most of today's cultural Marxists disguise their true agenda by using humanistic principles and rhetoric (at least publicly) as a basis for justifying their actions. However, we know that a good portion of them (more than 30% of our opposition) use this smoke screen of humanist deception to hide their hatred for everything European.

What complicates this process further is the fact that the ongoing European civil war is not a class war but a cultural war. Motives are overlapping and old definitions are outdated. The old fundamental definitions were nationalists vs. communists, or socialists vs. capitalists. Many of today's multiculturalists are capitalists and some of today's cultural conservatives support a very solidaric economical system. More or less every humanist/social democrat etc. is a multiculturalist as they support liberal political mechanics such as family reunification and asylum arrangements which again facilitates Islamic demographical warfare. Some of these individuals are true humanists and just extremely naive, yet others are just hiding behind humanist rhetoric and really want to destroy European culture, traditions, identity, Christendom and national sovereignty.

An estimate showing the opponents of cultural conservative doctrines (anti-nationalists):

- Hardcore Marxists: 10% (hateful intentions)
- Cultural Marxists: 20% (semi hateful intentions)
- Suicidal Humanists/career cynicists: 65% (suicidally naive/egotistical)
- Capitalist globalists: 5% (greed)

100% of the above support and propagate multiculturalism.

Quotes such as the ones made by Andrew Neather adds to the documentation which proves that a relatively large multiculturalist network on all levels of European politics: political activists, journalists, politicians, NGO leaders - locally, nationally and on EU level have a deliberate plan to destroy European cohesion, identity, our culture by implementing multiculturalist doctrines and allowing mass Muslim immigration. This is most efficiently done by allowing millions of Muslims to colonise Europe. And they have done it for years, concealing it using humanist justification.

Andrew Neather, worked for Mr Straw and as a speech writer for Mr Blair. He confirmed that a Government report in 2000 called for mass immigration to change Britain's cultural make-up forever [1][2][3]

Jack Straw and Tony Blair 'dishonestly' concealed a plan to allow in more immigrants and make Britain more multi-cultural because they feared a public backlash if it was made public,

The driving force and intention was also to humiliate Right-wing opponents of immigration and "destroy the conservatives once and for all".

Conclusion

The common factor between all variations of multiculturalists is that they all believe they are doing the right thing, so they all have good intentions, at least according to themselves. But this can also be said about Hitler, Stalin and Pol Pot. They were all idealists in their own twisted way. Regardless of their twisted intentions they are all mass murderers and must be treated as such.

No mercy will be shown for category A, B and C traitors. The punishment for high treason is the same whether you are a hardcore Marxist, cultural Marxist, suicidal humanist, career cynicist or a capitalist globalist.

Sources:

1. <http://www.telegraph.co.uk/news/newstopics/politics/lawandorder/6418456/Labour-wanted-mass-immigration-to-make-UK-more-multicultural-says-former-adviser.html>
2. <http://www.dailymail.co.uk/news/article-1222613/Labour-let-migrants-engineer-multicultural-UK.html?ITO=1490&referrer=yahoo>
3. <http://www.dailymail.co.uk/news/article-1222769/Dishonest-Blair-Straw-accused-secret-plan-multicultural-UK.html>

3.9 Demands/requests/pleas to our National Military Commands

Introduction - The European National Military commands and the Islamisation of Europe

The European national military commands have a responsibility to serve and protect their people. They should immediately disallow the cultural Marxist/ multiculturalist government from continuing to implement the EU's Eurabia project (European multiculturalism/Islamisation of Europe). They have a duty to stop the ongoing Islamic demographic warfare (mass Muslim immigration combined with high birth rates) waged against Europe by the Global Islamic Ummah.

The European national military commands should immediately and without hesitation declare martial law, suspend the constitution, secure the national borders, arrest, try and execute all category A and B traitors and implement cultural conservative rules and regulations specified in this document.

By refusing to take responsibility, the European national military commands are forcing their own people to take action and act in the form of creating militias or covert military orders.

The following Demands/requests/pleas are directed to all Senior and Junior officers. We are aware of the fact that many officers are loyal to their government first and foremost and are thus serving the interests of the cultural Marxist/multiculturalist elites instead of serving the interests of their people. However, we know that a majority of Senior and Junior officers are very discontent with the current development and are looking (although not actively) for a window of opportunity which will allow them to begin serving the interests of their people. The following demands/requests/pleas are directed at them. Officers who are willing to sell out their own people and their country in order to serve their current cultural Marxist/multiculturalist governments will be considered traitors and will face a severe punishment in Phase 2 and 3.

Demands/requests/pleas to our National Military Commands

To the:

The British Armed Forces, The Military of France, The Bundeswehr, The Military of the Netherlands, The Military of Belgium, The Military of Luxembourg, The Swedish Army, The Royal Danish Army, The Royal Norwegian Army, The Finnish Army, The Spanish Armed Forces, The Portuguese Armed Forces, The Italian Army, The Hellenic Army, The Military of Switzerland, The Austrian Armed Forces, The Military of Iceland, The Armed Forces of Malta, The Irish Defence Forces

We, the free, indigenous peoples of the United Kingdom, France, Germany, the Netherlands, Belgium, Luxembourg, Sweden, Denmark, Norway, Finland, Spain, Portugal, Italy, Greece, Switzerland, Austria, Iceland, Malta and Ireland

hereby demand that our National Military Command immediately and without hesitation initiate preparations to seize political control of the country through a coup d'état, declaring martial law, suspending the constitution, securing the national borders, key institutions, arrest, try and execute all category A and B traitors and implementing cultural conservative rules and regulations (through military tribunals).

The Western European governments and the rest of the Multiculturalist Alliance are guilty of high treason for various crimes against the indigenous peoples of Europe (see charges

1-8). The Multiculturalist Alliance must be stopped immediately and without hesitation before further crimes are committed against the indigenous peoples of Europe.

We demand that you immediately contribute to stop the implementation of the European hate ideology known as multiculturalism. The ideology of multiculturalism should immediately be removed from all government policies and school curricula, and the new state should adopt a policy of supporting the continuation of the cultural heritage and traditions of the indigenous populations.

We demand that you contribute to legally re-classify Islam as a totalitarian, racist and violent political ideology and that the Quran and Hadith are banned altogether.

We strongly urge you to acknowledge the fact that an Islamic demographic warfare (through mass Muslim immigration combined with an average Muslim birth-rate of 3-4) is being waged against the Western European countries by the Global Islamic Ummah.

We demand that you immediately act upon this deliberate invasion/colonisation and support the implementation of necessary counter-measures in the form of:

1. Implementation of the assimilation policy included in this document

or

2. Deport all Muslim individuals from European soil (who fail to follow the assimilation policy or whom are not given the opportunity).

When you do decide to act; a State of emergency should last until the national military and their cultural conservative political advisers have successfully deported all Muslims and implemented all necessary reforms. Suggested strategies regarding the implementation of reforms and deportations are and will continue to be elaborated in detail.

Declaring Martial law, suspending the constitution and securing control of the state administration has to be done as soon as possible. The longer you wait the harder it will be to avoid massive casualties on both sides. To illustrate the problem; The cultural Marxists/multiculturalists have for the last decades constructed an Islamic demographical minefield across Western Europe; If we touch it and try to solve the problem now, through mass deportations, it will blow up and thousands of people will die. However, if we continue to ignore and delay it, it will also eventually blow up. But then, hundreds of thousands, perhaps millions of people will die. The choice is easy. Act as soon as humanly possible!

The only pragmatical approach is to begin making preparations and to act as soon as possible!

Until the day you decide to act; we, the free peoples of Western Europe will have no choice but to take matters into our own hands and act accordingly. The PCCTS, Knights Templar is a manifestation of this initial struggle, phase 1 of the Western European civil war.

3.10 Assimilation policy/demands/offer for Muslim individuals living in Europe (this offer will expire on Jan 1st, 2020)

The following assimilation policy is to be accepted by all Muslims who currently live on European soil and want to continue to live in Europe. The deadline is Jan. 1st, 2020.

Failure to accept and comply with given policies will result in immediate deportation for you and your closest family (individual evaluation is required). The deportations will be effectuated as soon as the current regime(s) have been neutralised and once a cultural conservative government has been formed. Failure to comply within the deadline (2020) will result in losing the possibility of future re-evaluation.

1. Convert to Christianity (Orthodox, Catholic or Protestant).

Every individual is to accept baptism, the ritual act by which one is admitted to membership of the Christian Church, as a member of the particular Church in which the baptism is administered.

Attempt of al-taqiyya (Islamic deceit) for shorter or longer periods in order to try to wait for a regime change will not be tolerated. The convert will celebrate Christian holidays and adopt mainstream Christian customs and has to attend Church at least once a year during the full duration of the assimilation period (50) before he or any member of his family is allowed to follow a purely secular lifestyle. Secular Muslims are considered fully Muslim as long as they have not converted. The reason is because even secular Muslims celebrate Islamic holidays and perform certain Islamic religious or political rituals.

2. Name change

During the required baptism the individual is to be given a Christian/European traditional name (first, middle and last name). No Arab/Asian/Islamic name is allowed (including The 99 Names of Allah).

3. Not allowed to practice your "mother tongue" or Arabic

It is strictly prohibited to practice the individuals "mother tongue" - Farsi, Urdu, Arabic, Somali etc. in any way – both in writing or vocally (this applies in all areas of society - home and elsewhere). Obviously this does not apply to Muslims living in Europe who are practising a European language (Bosniaks etc.).

4. All mosques and Islamic centers will be demolished or converted

All mosques which were built for the purpose of being a mosque will be demolished. All other buildings which were previously converted will be re-converted to their former use.

5. All Islamic and/or Arab-style or equivalent buildings/artwork will be demolished or modified

All traces of Islamic culture in Europe will be eradicated, even locations considered historical.

6. Attempts to celebrate Islamic holidays, exercise or portray Sharia/Islamic codes/markers is strictly prohibited

An attempt of celebrating Ramadan, Eid or any Islamic holiday is strictly prohibited.

This includes all cultural related rituals, dress codes, Islamic religious or cultural circumcisions, Islamic preparation of food, the use of any Muslim flag or identification (crescent moon), religious or cultural markings.

7. Measures taken against attempts of demographic warfare

All "ex-Muslim couples" (where both parents were/are Muslims) will not be allowed to exceed a birth rate of 2. Any breach of this policy will be considered a breach of the assimilation policies.

8. Correspondence with other Muslims abroad is strictly prohibited

All forms of correspondence (electronically, telephonic etc.) with Muslims living abroad is strictly forbidden. This includes contact with Muslim family in the country you originated from.

9. All travel to Muslim countries/territories or to any country where Muslims make out more than 20% of the population is strictly prohibited

Length of assimilation period

The assimilation period, with monitoring procedures, will last for a minimum of 2 generations (no shorter than 50 years) before the individual is considered to be successfully assimilated.

Various measures will be used for monitoring individuals who has accepted the assimilation policies to ensure that they are not trying to perform al-taqiyya.

Purpose of assimilation policies

Implementation of the assimilation policies will allow all ex-Muslims to be fully assimilated. This will also allow you to show and prove your allegiance and loyalty to "your new kinsmen", to Europe and to Christianity. In return, you will be accepted as a European.

Failure to comply with the assimilation policies (offer expires Jan 1st, 2020)

Failure to accept and comply with given policies will result in immediate deportation for you and your closest family (individual evaluation is required). The deportations will be effectuated as soon as the current regime (s) has been neutralised. Failure to comply within the deadline (2020) will result in losing the possibility of future re-evaluation.

Why will individuals lose the possibility of being re-evaluated after the deadline[1]?

Any individual in question must be a credible candidate. Obviously, he won't be considered as a credible candidate if he or she is under duress (which will be the case in phase 2 and 3, 2030-2090). This is the reason why the offer expires in 2020. A Muslim who accepts the following assimilation policy under duress will most likely perform al-taqiyya (religious deceit allowed by the Quran and Hadith) for as long as he has to. As such, any conversion performed after the deadline will be considered al-taqiyya[1].

Essential case study

1. http://en.wikipedia.org/wiki/Expulsion_of_the_Moriscos (Essential case study)

A European Military Order re-emerges – In Praise of the New Knighthood

3.11 The history of Pauperes commilitones Christi Templique Solomonici (Knights Templar)

Introduction

The Knights Templar, whose official name was: Pauperes commilitones Christi Templique Solomonici (PCCTS) (English: Poor Fellow-Soldiers of Christ and of the Temple of Solomon), were among the most famous of the Western Christian military orders. The organisation was founded in 1119 by knights sworn to protecting Christian pilgrims visiting the Holy Land after the Crusaders re-captured Jerusalem from the Muslims in 1099 and existed for approximately two centuries.



History

The Kingdom of Jerusalem was established in 1098, when the members of the First Crusade re-captured Jerusalem, on behalf of Christendom, and elected Godfrey of Boulogne, duke of Lower-Lorraine, as king of Jerusalem.

The first headquarters of the Knights Templar was built on Jerusalem's Temple Mount. The Crusaders called it the Temple of Solomon, as it was built on top of the ruins of the original Temple, and it was from this location that the Knights took their name of Templar.

New members had to willingly sign over all of their wealth and goods to the Order and take vows of poverty, chastity, piety, and obedience. Most brothers joined for life, although some were allowed to join for a set period. Sometimes a married man was allowed to join if he had his wife's permission, but he was not allowed to wear the white mantle.

The red cross that the Templar Knights wore on their robes was a symbol of martyrdom (the symbol was referred to as "cross of the martyr"), and to die in combat was considered a great honour that assured a place in heaven. There was a cardinal rule that the warriors of the Order should never surrender unless the Templar flag had fallen, and even then they were first to try to regroup with another of the Christian orders, such as that of the Hospitallers. Only after all flags had fallen were they allowed to leave the battlefield. This uncompromising principle, along with their reputation for courage, excellent training, and heavy armament, made the Templars the most skilled and feared combat force during the Crusades.

"[A Templar Knight] is truly a fearless knight, and secure on every side, for his soul is protected by the armour of faith, just as his body is protected by the armour of steel. He is thus doubly-armed, and need fear neither demons nor men."

Bernard de Clairvaux, c. 1135, *De Laude Novae Militae*—In Praise of the New Knighthood

Knights possessed military training, a war horse and military equipment which required a substantial amount of wealth and prestige to acquire.

Distinctive architectural elements of Templar buildings include the use of the image of "two knights on a single horse", representing the Knights' poverty, and round buildings designed to resemble the "Church of the Holy Sepulchre" in Jerusalem.

Origins of the Cross of the Martyr/St George's Cross



Saint George (ca. 275/281 – 23 April 303) was, according to tradition, a Roman soldier in the Guard of Diocletian, who is venerated as a Christian martyr. In hagiography Saint George is one of the most venerated saints in the Roman Catholic Church, Anglican Church, Eastern Orthodox Church, Oriental Orthodoxy, and the Eastern Catholic Churches. He is immortalised in the tale of Saint George and the Dragon and is one of the Fourteen Holy Helpers. His memorial is celebrated on 23 April, and he is regarded as one of the most prominent military saints.

St George's Cross was originally the flag of Genoa and was adopted by England and the City of London in 1190 for their ships entering the Mediterranean to benefit from the protection of the powerful Genoese fleet. The maritime Republic of Genoa was rising and going to become, with its rival Venice, one of the most important powers in the world. The English Monarch paid an annual tribute to the Doge of Genoa for this privilege. It was adopted for the uniform of English soldiers during the Crusades of the eleventh, twelfth and thirteenth centuries, particularly by the Knights Templar.

Non-combatant members of the Order

Non-combatant members of the Order managed a large economic infrastructure throughout Christendom, innovating financial techniques that were an early form of banking, and building many fortifications across Europe and the Holy Land.

After the fall of Jerusalem - Decline

Jerusalem eventually fell and was taken by the Muslims in 1291. The Temple of Solomon was later demolished by the Muslims and a mosque was built on the site, now known as the Al Aqsa Mosque.

The Templars' success was tied closely to the Crusades; when the Holy Land was lost, support for the Order faded. Rumours about the Templars' secret initiation ceremony created mistrust, and King Philip IV of France, deeply in debt to the Order, began pressuring Pope Clement V to take action against the Order. Getting rid of them was a convenient way of cancelling his debts. In 1307, many of the Order's members in France were arrested, tortured into giving false confessions, and then burned at the stake. Pope Clement was convinced that while the Templars had committed some grave sins, they were not heretics. However, in 1312, Pope Clement, under continuing pressure from King Philip, disbanded the Order.

Quick facts

- Active c. 1119–1314
- 15,000–20,000 members at peak, 10% (1500–2000) of whom were knights

Events

Grand Master Gérard de Ridefort was beheaded by Saladin in 1189 at the Siege of Acre.

The last Grand Master was Jacques de Molay, burned at the stake in Paris in 1314 by order of King Philip IV. http://en.wikipedia.org/wiki/Knights_Templar_-_cite_note-Barber-Trial3-25

Knighthood

Knight is the term for a social position originating in the Middle Ages. Elsewhere, the Portuguese *Cavaleiro* (like the following, related to "chivalry"), the Spanish *Caballero*, the Italian *Cavaliere*, the French "Chevalier", the German *Ritter* (like the following, related to "rider"), the Swedish *Riddare* are commonly used in Continental Europe.

Origins of medieval knighthood

The Franks came to dominate Western and Central Europe after the fall of Rome. They generally fielded armies composed of large masses of infantry, with infantry elite, the *comitatus*, which often rode to battle on horseback rather than marching on foot. Riding to battle had two key advantages: it prevented fatigue, particularly when the elite soldiers wore armour and it gave the soldiers more mobility to react to the raids of the enemy, particularly the invasions of Muslim armies which started in the 7th century. So it was that the armies of the Frankish ruler and warlord Charles Martel, which defeated the Islamic Umayyad Arab invasion at the Battle of Tours in 732, were still largely infantry armies, the elites riding to battle but dismounting to fight in order to provide a hard core for the levy of the infantry war-bands.

These types of knights were increasingly seen as the only true soldiers of Europe.

Knightly Chivalric Code

Knights of the medieval era were asked to "Protect the weak, defenceless, helpless, and fight for the general welfare of all." These few guidelines were the main duties of a medieval knight, but they were very hard to accomplish fully. Rarely could even the best of knights achieve these goals. Knights trained, *inter alia*, in hunting, fighting, and riding. They were also trained to practise courteous, honourable behaviour, which was extremely important. Chivalry (derived from the French word *chevalier* implying "skills to handle a horse") was the main principle guiding a knight's life style. The code of chivalry dealt with three main areas: the military, social life, and religion.

The military side of life was very important to knighthood. Along with the fighting elements of war, there were many customs and rules to be followed as well. A way of demonstrating military chivalry was to own expensive, heavy weaponry. Weapons were not the only crucial instruments for a knight: horses were also extremely important, and each knight often owned several horses for distinct purposes. One of the greatest signs of chivalry was the flying of coloured banners, to display power and to distinguish knights in battle and in tournaments. Warriors were not only required to own all these belongings to prove their allegiance: they were expected to act with military courtesy as well.

In the years of boyhood, these future warriors were sent off to a castle as pages, later becoming squires. Commonly around the age of 20, knights would be admitted to their rank in a ceremony called "dubbing". Although these strong young men had proved their

eligibility, their social status would be permanently controlled. They were expected to obey the code of chivalry at all times, and no failure was accepted.

Chivalry and religion were mutually influenced. The early Crusades helped to clarify the moral code of chivalry as it related to religion. As a result, Christian armies began to devote their efforts to sacred purposes.

The Code of Chivalry continued to influence social behaviour long after the actual knighthood ceased to exist, influencing for example the 19th Century Victorian perceptions of how a "gentleman" ought to behave.

Orders of knighthood

- **Knights Hospitaller**, founded during the First Crusade, 1099
- **Order of Saint Lazarus** established around 1100
- **Knights Templar**, founded 1118, disbanded 1307
- **Teutonic Knights**, established about 1190, and ruled the Monastic State of the Teutonic Knights in Prussia until 1525

Other orders (Crusader movements) were established with the purpose of re-conquering the Iberian peninsula (Spain) from the Muslims. The orders were under the influence of the orders in the Holy Land. They are known as the Crusader movements of the Reconquista:

- **Order of Aviz**, established in Avis in 1143
- **Order of Alcántara**, established in Alcántara in 1156
- **Order of Calatrava**, established in Calatrava in 1158
- **Order of Santiago**, established in Santiago in 1164.

Modern day chivalric organisations, Free Masons and similar orders.

Modern day chivalric organisations have nothing to do with knighthood, martyrdom, courage or honour through military service (for the protection of the European people or Christendom). Knighthood has gradually eroded into a corrupt tradition and is now primarily distributed to confer prestige on individuals, very often music producers, sports stars or other cultural personalities.

Free Masonry and similar Christian orders are merely novelty networks and completely non-political. Nevertheless, they should be commended for conserving ancient Christian rituals.

Sources:

http://en.wikipedia.org/wiki/Knights_Templar

Pauperes commilitones Christi Templice Solomonici (PCCTS), the Knights Templar

Europe and Christendom has been under constant attack by Islam for the last 1400 years. Charles Martel successfully defended Europe against an invasion launched by the Umayyad Caliphate in 732 at the Battle of Poitiers (current France). In 1683, Western Europe was at the brink of annihilation again, this time by an Ottoman Caliphate invasion. The King of Poland, John III Sobieski and the Holy League successfully defended Europe against an army of more than 150 000 Muslims at the Battle of Vienna.



2009 - Western Europe is being invaded again, this time through demographic warfare (mass Muslim immigration in combination with high Muslim birth-rates). The forces of Islam are flooding the European gates once more, the only difference – the gates are open. Aided and abetted by the cultural Marxist/multiculturalist elites of Western Europe. From 55 000 in 1955, the Muslims are now counting more than 25 million individuals in Western Europe alone. Credible demographic calculations show that the Muslims will reach critical mass (20%) in France and the Netherlands within a couple of decades and a total of 50% by 2083. Peaceful resistance through dialogue started 50 years ago, in an attempt to stop and has been a complete disaster resulting in defeat after defeat in attempts to reverse these actions. We have lost the democratical struggle to save Europe from Islam as it's simply not possible to compete with regimes who import millions of voters and coerce its own population to accept the ideology of multiculturalism, an ideology bent on the destruction of Western Civilisation and the indirect genocide of Europeans.

The time for dialogue is over. We gave peace a chance. The time for armed resistance has come. PCCTS, Knights Templar on behalf of the free peoples of Europe, hereby declare a pre-emptive war against the cultural Marxist/ multiculturalist regimes of Western Europe. We acknowledge that Europe has been in a technical state of civil war since 1999 when European and US cultural Marxists/multiculturalists, through NATO, decided to attack Christian Serb forces and thus disallowing them their right to repel Islam from their ancestral lands.

The war against the cultural Marxist/multiculturalist regimes of Europe is a pre-emptive war, waged in order to repel, defeat or weaken an ongoing Islamic invasion/ colonisation, to gain a strategic advantage in an unavoidable war before that threat materialises. Thus, we consider this pre-emptive war as completely justifiable as it is a war of self-defence. We cannot afford to wait around and re-act when it is too late. We have anticipated, identified and will act accordingly upon the refuse, volatile, national and international conditions before they become explosive, before they lead us to catastrophe.

PCCTS, the Knights Templar

The PCCTS's history is a journey of sacrifice, spanning almost a thousand years. Through it all, certain characteristics have remained consistent – strength and honour, courage and martyrdom. The current need for these principles has lead to the re-founding of this ancient Christian European military order.



3.12 Re-founding of Pauperes commilitones Christi Templique Solomonici – PCCTS, the Knights Templar



The European Military Order and Criminal Tribunal (the PCCTS - Knights Templar) was created by and for the free indigenous peoples of Europe. One of the primary purposes of the tribunal and order is to attempt/contribute to seize political and military control of Western European multiculturalist regimes and to try, judge and punish Western European cultural Marxist/multiculturalist perpetrators (category A, B and C traitors) for crimes committed against the indigenous peoples of Europe from 1955 until this day.

Pauperes commilitones Christi Templique Solomonici – PCCTS (the Poor Fellow-Soldiers of Christ and of the Temple of Solomon), the Knights Templar was re-founded in London in 2002 by representatives from eight European countries, for the purpose of serving the interests of the free indigenous peoples of Europe and to fight against the ongoing European Jihad (referred to as the “third Jihad”). The Knights Templar was re-founded as a pan-European nationalist military order and a military/criminal tribunal with two primary objectives. The order is to serve as an armed Indigenous Rights Organisation and as a Crusader Movement (anti-Jihad movement).

The founding session (two meetings consisting of 4 founding members and host as a security precaution) was held in London, United Kingdom – Apr, 2002.

Founding (re-founding) members:

Anonymous 1 - Nationality: English Protestant (Host)
Anonymous 2 - Nationality: English Christian atheist
Anonymous 3 - Nationality: French Catholic
Anonymous 4 - Nationality: German Christian atheist
Anonymous 5 - Nationality: Dutch Christian agnostic
Anonymous 6 - Nationality: Greek Orthodox
Anonymous 7 - Nationality: Russian Christian atheist
Anonymous 8 - Nationality: Norwegian Protestant (member and proxy for 9)
Anonymous 9 - Nationality: Serbian Orthodox (by proxy, location: Monrovia, Liberia)

Unable to attend:

Anonymous 10 – Nationality: Swedish
Anonymous 11 – Nationality: Belgian
Anonymous 12 – Nationality: European-American

(Names will be kept classified indefinitely to avoid cultural Marxist/ multiculturalist persecution but each individual may reveal his own name during the three phases at his own convenience).

The jurisdiction of the order and tribunal includes (but is not limited to) all Western European countries and the Balkans.

The European Military Order and Criminal Tribunal (the PCCTS - Knights Templar) have found all European category A, B and C traitors guilty of a series of crimes against Europeans (charges 1-8). All European category A and B traitors have been sentenced to death. Punishment is pending awaiting effectuation by Justiciar Knights.

3.13 Founding principles of the Order/Tribunal

The purpose of the order/tribunal, PCCTS, is to consolidate Europeans and create and develop a significant armed defensive force through "open source warfare", by marketing the developed decentralised platform with self-organising features. This will be achieved by our continued efforts to call and request that all Europeans accept the duties which are expected from each and every free, patriotic individual. All free Europeans have a right and a duty to become "Justiciar Knights" for the order/tribunal with the purpose of:

- Oppose all hate-ideologies; communism (anti-individualistic), cultural Marxism/multiculturalism (anti-European), Islam (anti-kafr) and national socialism (anti-Jewish).
- 100 year plan to contribute to seize political power in Western European countries currently controlled by anti-nationalists (cultural Marxist/multiculturalist regimes). Bring freedom and cultural and demographical sustainability to all Europeans
- Serve and protect the indigenous peoples of Europe and all other loyal and patriotic European individuals
- Preserve European culture, traditions and heritage
- Stop the ongoing European cultural and demographical genocide facilitated by the cultural Marxists/multiculturalists, suicidal humanists, and capitalist globalist elites
- Prevent the deconstruction of Christendom in Europe
- Prevent further Islamic demographic warfare - disallow the Muslim invasion/colonisation of Europe
- Repulse Islam from Europe by the initiation of future deportation campaigns
- Effectuate punishment for Western European cultural Marxist/multiculturalist/globalist perpetrators for crimes committed against the indigenous peoples of Europe
- Oppose and defeat the Multiculturalist Alliance (MA 100) in Europe using any and all means necessary
- Support Israel's fight against Jihad
- Liberation of the Middle East Christians from Islamic rule
- Virtues such as the willingness to martyr oneself for the cause, the exercise of discretion, voluntary poverty and devoted obedience to the principles are mandatory for all Justiciar Knights
- Honour the wishes and memories of our forefathers, who secured European security and prosperity in the past
- Follow the PCCTS's mantra - "Martyrdom before Dhimmitude".

3.14 PCCTS, the Knights Templar ranks – Phase 1

There are currently four different ranks military ranks and three different civilian ranks:

Justiciar Knight Commander or Justiciar Knight Operative; military cell commander or operative (solo or multi cell) of the PCCTS, Knights Templar

The rank "Commander" is generally applied to a person who is accountable for and holds authority over a group or the attempts of a group to achieve a common goal. The Justiciar Knight Commander rank is the highest rank (during phase 1) in the PCCTS, Knights Templar and is held by the cell leader. Other members of the cell go by the rank of Justiciar Knight Operatives. In a one man cell, the individual in charge carries the Commander rank. He may take command of and lead militant, non-KT patriots should the situation allow for it.



Our former Grand Master, Jacques de Molay. He was burned on the stake by King Philip IV of France

National Grand Master Knight Commander;
future military leader in phase 2/3

Pan-European Grand Master Knight Commander;
future international military leader in phase 2/3

Civillian ranks

Grand Master Overseer; non-military administrator for the PCCTS, Knights Templar (future rank)

Master Overseer; non-military leader under the authority of the Grand Master Overseer (future rank)

Overseer; non-military operative under the command of the Master Overseer

3.15 What is a "Justiciar Knight" and how do I attain the rank?

The European military order and tribunal; Commilitones Christi Templique Solomonici – PCCTS is represented by self appointed European judges known as "Justiciar Knights" or "Knight Judges" (Latin: justiciarius=man of justice, judge -- Knight=Eques or Cavaliere in Old Italian, Chevalier in French, Ritter in German)". Any self appointed Justiciar Knight has been given the authority, by PCCTS on behalf of;

1. The free indigenous peoples of Europe
2. Those Europeans not yet born
3. The legacy of our forefathers and fallen martyrs

- to act as a judge, jury and executioner until the free, indigenous peoples of Europe are no longer threatened by cultural genocide, subject to cultural Marxist/Islamic tyranny or territorial or existential threats through Islamic demographic warfare. It is therefore within any- and every-ones right to act in accordance with the given guidelines.

"One man with courage makes a majority."

Andrew Jackson



To qualify to act as a "Justiciar Knight" the individual has to pledge the Knights Templar oath by completing the "Initiation Rite" (see: The PCCTS, Knights Templar Oath – Initiation Rite) and swear to follow the principles of the PCCTS, to protect the interests of all free, indigenous Europeans, European cultures and Christendom in general through armed struggle. Choosing the path of the Justiciar Knight is to walk the path in pursuit of becoming "The Perfect Knight". Any candidate prepared to walk this road must be willing to forfeit his materialistic ambitions and embrace voluntary poverty and martyrdom.

The Order and Tribunal has concluded that any and all Europeans have not just a right, but a duty to resist through political and military means; cultural Marxist/multiculturalist atrocities and crimes committed against the indigenous peoples of Europe. As such, any European Christian conservative can act as a Justiciar Knight. This includes Christian agnostics and Christian atheists.

Although the PCCTS, Knights Templar is a pan-European indigenous rights movement we give all Europeans, regardless of skin colour, the opportunity to become a Justiciar Knight as long as the individual is either a Christian, Christian agnostic or a Christian atheist.

The European Military & Criminal Tribunal, PCCTS, request that any and all Justiciar Knights of Europe; identify and effectuate punishment for category A and B traitors - cultural Marxist/multiculturalist individuals for the violations specified and included in this document; charges 1 – 8.

These charges are directed at all category A and B traitors – individuals who planned, instigated, ordered, committed or otherwise aided and abetted in the planning, preparation or execution of a crime(s) referred to in the mentioned articles. All category A and B traitors shall be held individually responsible for the crime(s).

Any and all individuals who sympathise with the PCCTS principles and/or are affiliated with (but not limited to) the European Resistance Movements (patriotic liberalists or conservatives), nationalist movements of any category, Christian movements or any type of cultural conservative movement are encouraged to volunteer and appoint themselves as Justiciar Knights and fight under the banner of the PCCTS - the cross of the Martyrs.

By doing so, the individual(s) will avoid incriminating anyone in his environment or his or her old "organisation". Normally, any individual who decides he want to choose the road of the PCCTS, a road of strength and honour, courage and martyrdom, should leave any other organisation for practical reasons (first and foremost in order to protect them). He will then spend a predefined time preparing himself mentally (this cannot be emphasised enough) as well as for planning the actual operation (planning, financing and eventually execution of the plan). This may take longer than 36 months depending on the nature of the assault.

3.16 PCCTS - Purpose and objectives of re-founding

Short list - overview

The PCCTS, Knights Templar serve as an independent pan-European Military and Criminal Tribunal in the current Western European civil war. We have come to the conclusion that the democratical struggle to save Europe has been lost. Our purpose and goal is to defeat the cultural Marxist/Multiculturalist Alliance of Europe, seize political and military control of Western European countries and implement a cultural conservative political agenda.

PCCTS activities will continue in all three phases of the European civil war until our objectives have been completed.

- Phase 1 – 1999-2030
- Phase 2 – 2030-2070
- Phase 3 – 2070-2083

Our primary objectives (in phase 1 and 2):



1. We will educate the European peoples about the ongoing political, social and demographical development. We will distribute the content, every single paragraph of the two first books of the compendium "2083" and other works containing the truth about the current development, with the intention of rallying more Europeans for the cause. Distributing content has proven difficult in the past as the current social and political establishment view the content as "politically incorrect" and refuse to acknowledge its relevancy and

subsequently ignore and censor it all together. Creating awareness of specifically defined topics is the essence of our phase 1 struggle. We will launch information campaigns and create awareness by using any means necessary, including distribution of our messages by using lethal shock attacks against concentrations of class A and B traitors in a pan-European context. The primary goal of the shock attacks is not the immediate physical manifestation of the attack (destroying a few buildings, killing a few hundred traitors) but rather the indirect effects. Shock attacks will have the potency to penetrate the strict censorship regime of the cultural Marxists/multiculturalists. Any substantial shock attack will therefore have the potential to do massive ideological damage on the multicultural ideology (as the multicultural dream will become ever so distant) and its propagators in various ways;

- Education of the European peoples – people will be interested to know why buildings around them are falling down and will seek information themselves and/or learn what the media presents
- Moral effect/recruitment - encouraging thousands of brothers and sisters
- Creating important military and ideological reference points
- Increasing and developing the level of innovation/sophistication of methods applied
- Contribution to increase the acceptance level of new methods applied

- Discouraging our enemies which may lead to direct/indirect "defection", or fear/reservations against criticising right wingers etc.
- Contribution to force many Europeans out of their self-induced coma
- Many individuals (especially category A, B and C traitors who until now has just "gone with the flow") will re-evaluate the premises for their support to multiculturalism (destruction of our European cultures) or at least the premises for allowing mass-Muslim immigration/the ongoing Islamisation and will re-consider if it is really worth the trouble
- Contribution for creating a broader acceptance for defending and support European culture without being target of EUSSR labelling techniques (bigot, fascist, Nazi, racist).
- Marketing the resistance movement
- Making moderate cultural conservatives more approachable, by the establishment, by broadening or expanding the very definition of extreme right wing axis etc.
- Many individuals (politically neutral) may start to have reservations against working in government buildings (near concentrations of category A or B traitors) which will help polarise the left and right.

We will be contributing to re-writing the very fabric of society which will have short term and long term effects.

- We may see police strikes or at least demands for higher salary (especially in countries where there is no tradition for urban revolutionary warfare). Many cultural conservative street police may quit the job as they are uncomfortable and simply unwilling to hunt down and kill militant cultural conservatives. Alternatively, they may also stay and help us in future operations directly or indirectly. Either way, they will be vary of future military operations and will stay out of our way (which will result in a minimum of sympathiser deaths for any future operation). Others may quit for similar reasons. This trend may result in the police force itself turning Muslim which will have repercussions for as how they are viewed by the public. An increase in Muslim police officers will increase mistrust towards the police and government (just remember the riots in Utrecht triggered by a Muslim cop who killed a nationalist).
- The government will have to invest billions on security related fields, which will weaken them financially and might contribute to cuts in other fields.

Practical information we intend to distribute (see topics in the three books):

- What you need to know, Our falsified history and other forms of cultural Marxist/multiculturalist propaganda
- Europe Burning (Contemporary issues)
- A Declaration of preemptive War (demands, charges, tactics and other information meant for internal use.)

2. We will pressure our National Military Commands in Western Europe to start acting in the interest of its people instead of serving the corrupt and suicidal cultural Marxist/multiculturalist governments. Our objective is to convince enough junior/senior military officers that the cultural Marxist/multiculturalist elites are so detached from the reality and its own people that they are no longer serving their interests and as such; the democratical system has been corrupted to a degree that it can no longer solve our problems. Our only remaining chance to save Europe is by labelling the current cultural Marxist/multiculturalist regimes as illegitimate and illegal, seizing political power by initiating military coup d'états, declaring Martial law and create temporary military tribunals. We must convince enough military officers (in Phase 1 and 2) that this is the only pragmatism approach. As such, our objective is to convince enough military officers

that the implementation of our agenda (or something equivalent) is the only way Europe can avoid a continued cultural genocide and a future Islamic take-over.

Furthermore, we will attempt to convince individuals in the current governments, the MA100 political parties and the cultural Marxist alliance in general (as many category A, B and C traitors as possible) to acknowledge the fact that:

i. There is a deliberate Islamic demographic warfare being waged against Europe by the Global Islamic Ummah.

ii. Multiculturalism is and has always been an anti-European hate ideology aimed at undermining the indigenous peoples of Europe and destroying European civilisation and culture.

If just a fraction of the current Western European military commands, governments, the MA100 political parties and the news agencies are convinced to acknowledge these and other facts, they will be forced out of their current "apathetic state" and to start acting in the interests of the European people.

3. We will continue to work for the consolidation of the "European right" under one "unofficial" banner (ranging from moderate to extreme). This includes the work for a continued consolidation among European right wing intellectuals, political activists and military orders. Emphasis must be on; cooperation to ensure our survival. We will also continue to develop legal/illegal Conservative militias and clandestine military cells.

4. We will create reference points which will contribute to escalate the European civil war faster. The intention is to ensure that we seize power before there is a Muslim majority. By employing and implementing sophisticated methods and mechanics early on we contribute to introduce, legitimise and establish new "methods/traditions" among the resistance movements which will benefit us in all phases.

Military objectives

There have already been thousands of pre-emptive strikes from brave Europeans all over Europe. However, the majority of attacks have been impotent "poop in mailbox" operations with zero to little ideological effect. In order to successfully penetrate the cultural Marxist/multiculturalist media censorship we are forced to employ significantly more brutal and breath taking operations which will result in casualties. In order for the attack to gain an influential effect, assassinations and the use of weapons of mass destruction must be embraced. When employing such methods the Justiciar Knight becomes a force multiplier, he becomes a one-man army. The continuation of these "humiliating strikes" on the Multiculturalist system will contribute to destroy the cultural Marxist hegemony in Europe.



Any Justiciar Knight of the PCCTS is a person who fights the cultural Marxist/Multiculturalist Alliance with weapons, using unconventional methods. The PCCTS

follows a political goal, and focus attacks on the cultural Marxist/multiculturalist government, the MA100 political parties or any individuals who are categorised as a category A or B traitor.

PCCTS's will use guerrilla warfare against MA100 political parties and individuals who directly or indirectly support the "cultural Marxist/Multiculturalist Alliance". Our method of choice is sabotage operations or the use of shock attacks against concentrations of category A and B traitors throughout phase 1 and 2.

Our objectives also include the aim of radicalising Muslims through strategic attacks on their communities. This will contribute to escalate the conflicts and create increased polarisation which will serve our interests.

We intend to assist in future militia building, clandestine activities, even coup attempts (phase 2 and 3 objective) with the intention to replace the sitting regimes with cultural conservative governments.

3.17 Justiciar Knights tasks and requirements

"If you are not afraid of dying, there is nothing you cannot achieve."

Lao Tzu

The first and absolutely indispensable thing to do is throw overboard 99 percent of the literature on insurgency, guerrilla warfare, terrorism, and the like as it is of little value.

We train to kill but that doesn't mean we love violence. We use violence only for self defence, as pre-emptive actions and as a last option. We cannot allow our politically correct elites to sell us, their people, into Muslim slavery. The Multiculturalists and suicidal humanists have flooded Europe with criminals and individuals who are unwilling and unable to assimilate. As a result of these actions, more than 15 000 Europeans have been murdered, more than 500 000 European women have been raped and more than 5 million Europeans have been robbed, ravaged and physically or mentally abused since they opened the European gates in 1955-1970. They bombed the Serbian people, our brothers and sisters, and are currently occupying Serbia. They launched a campaign of political and psychological warfare against Austria when our brethren there managed to mount a democratic alternative. They have institutionalised the genocide of European Christendom, our cultures and identities in a campaign to forcefully create a cultural Marxists Multicultural utopia. We are fighting to end this suffering, the suffering of the Europeans under cultural Marxism. We are fighting to end the murder, rape and humiliation of the European peoples. History has shown us countless times that no matter how great the empire, how difficult the odds, a man who is not afraid to die can never be defeated. They may have the police and other state institutions on their side but we have the truth on our side. They, the Nazis of our time, will call us terrorists, just like the German Nazis called the WW2 resistance movement terrorists and just like the English called Americans terrorists when they sought independence from tyranny. The English and Scottish people were once labeled as terrorists when they fought against Roman occupation in a war equivalent to 16 Vietnam wars.



What we do today and what we will continue to do for the coming decades is all about setting our people free. We must free all Europeans from cultural Marxism and the shackles of political correctness even though we might not live to see it.

The art of asymmetrical warfare is less about inflicting immediate damage but all about the indirect long term psychological and ideological damage. Our shock attacks are theatre and theatre is always performed for an audience. Our audience and targets are every cultural Marxist, multiculturalist/globalist or suicidal humanists who are currently a part of the EUSSR power hierarchy (the so called category A, B and C traitors). We, the resistance movements, are dispersed all across Europe. The essence of our actions is to convince our enemy that there is nowhere to hide. We are coming for every single one of them, if not today then tomorrow, if not tomorrow then in 10, 30 or even 50 years. We will never forget what they have done and continue to do. It is our responsibility to put a stop to it.

Considerations

There are several things that should be done by the Justiciar Knight before starting the process of planning and taking up armed struggle.

The first of which is to surround yourself (either online or in real life) with people who support your political ideology but who at the same time does not jeopardise your security in any way. You should therefore avoid any affiliations with known extremists or such groups as they are most likely flagged (individuals and groups who are monitored by your national intelligence agency on so called "watch lists"). The reason why you should surround yourself with "moderate sympathisers" is because you will need a minimum of moral support.

The second is to prepare to leave everyone else you know behind and prepare for a lonely, poor and potentially painful existence of hardship and uncertainty.

As a Justiciar Knight, you are a part of an indestructible network of cells, spread all around Europe that functions without a central command.

No dormant cell can remain inactive waiting for orders from above. Your obligation as a Justiciar Knight/a cell commander is to act on your own initiative. Any single patriot who wants to establish a cell and begin action can do so, and thus becomes a part of the organisation.

The initial advantages of our clandestine cells are:

- 1.** We take the enemy by surprise.
- 2.** We know the terrain of the encounter.
- 3.** We have greater mobility and speed than the police.
- 4.** We are in command of the situation, and demonstrate great decisiveness, which on the other hand will result in our enemy being stunned and incapable of acting.
- 5.** We are prepared to die in order to complete our objectives.

The technique of surprise is based upon four essential requirements:

- a.** We know the situation of the enemy we are going to attack, usually by means of precise information and meticulous observation, while the enemy does not know he is going to be attacked and knows nothing about us.
- b.** We know the strength of the enemy we are going to attack, and the enemy knows nothing about our strength.
- c.** We attack by surprise in single cells, independent of any hierarchical structure and are therefore saving and conserving our forces, while our enemy is unable to do the same, and is left at the mercy of events.
- d.** We determine the time and place of the attack, decide its duration and establish its objectives. Our enemy remains ignorant of all of this information.

Knowledge of the terrain

The urban Justiciar Knight's best ally is the terrain, and because this is so he must know it like the palm of his hand. To have the terrain as an ally means to know how to use with intelligence its unevenness, its high and low points, its turns, its irregularities, its fixed and secret passages, its abandoned areas, its thickets, etc., taking maximum advantage of all of this for the success of armed actions, escapes, retreats, covers, and hiding places. Impasses and narrow spots, gorges, streets under repair, stationary police posts, and closed-off streets, the entrances and exits to tunnels and sewers and those that the enemy can close off, corners controlled or watched by the police, traffic lights and signals; all this must be thoroughly known and studied in order to avoid fatal errors.

Our challenge is to get through and to know where and how to hide, leaving the enemy bewildered in areas he doesn't know. Being familiar with the avenues, streets, alleys, ins and outs, the corners of the urban centers, its paths and shortcuts, its empty lots, its underground passages, its pipes and sewer systems, the urban resistance fighter safely crosses through the irregular and difficult terrain unfamiliar to the police, where the police can be surprised in a fatal ambush or trap at any moment.

Because he knows the terrain, the Justiciar Knight can pass through it on foot, on bicycle, in a car, and never be trapped.

The Justiciar Knight must know the way in detail, and, in this manner, must go through the schedule ahead of time as a training, to avoid entering alleyways that have no exit.

Decisiveness

It is not enough for the urban resistance fighter to have the following in his favour; surprise, speed, knowledge of the terrain, and information. He must also demonstrate his command of any situation and a capacity for decisiveness, without which all other advantages will prove to be useless. Mental strength is key.

It is impossible to carry out any action, however well-planned, if the urban resistance fighter turns out to be indecisive, uncertain and irresolute. Even an action successfully begun can end in defeat if command of the situation and the capacity for decision falter in the middle of the execution of the plan. When this command of the situation and a capacity for decision are absent, the void is filled with hesitation and fear. The enemy takes advantage of this failure and is able to neutralise us.

The secret of the success of any operation, simple or complex, easy or difficult, is to rely on highly motivated and determined men depending on the size of the cell. Strictly speaking, there are no simple operations: all must be carried out with the same care.

Decisiveness means to put into practice the plan that has been devised with determination, with audacity, and with an absolute firmness.

How to carry out the action

The Justiciar Knight must dedicate all his efforts in order to be completely prepared before carrying out actions, for in this he cannot commit the slightest error. Any carelessness in research and learning tactics and their use invites certain disaster, as experience teaches us every day. Common criminals commit errors frequently because of their lack of tactics.

The revolutionary method of carrying out actions is strongly and forcefully based on the knowledge and use of the following elements;

- 1.** Financing your operation
- 2.** Safe research and intelligence gathering
- 3.** Acquirement of weapons, body armour and other equipment
- 4.** Transportation (having a car/scooter available or rely on expropriation)
- 5.** Safe storage in remote caches (The elimination of evidence)
- 6.** Reconnaissance or exploration of the terrain
- 7.** Study and timing of routes
- 8.** Simulate the operation again and again (study and practice)
- 9.** Success

3.18 "Open source" warfare - clandestine cell systems - the most efficient way of warfare in Phase 1

A **clandestine cell** structure is a method for organising a group in such a way that it becomes virtually immune to detection, penetration and decapitation. As such, it is a critical strategic element of our operations. It is not in any way lead under a fixed, fragile hierarchy but works as an extremely distributed movement, a resilient network made up of small, autonomous groups or cells. Each group is lead by a cell commander, often working solo, who makes all the decisions based on fixed fundamental principles. We therefore avoid the use of electronic communications (including mobile phones, email and internet chat), because electronic intelligence, signals intelligence, ELINT, SIGINT, is a strength of conventional militaries and counterintelligence organisations.

Solo Martyr Cells are completely unknown to our enemies and has a minimal chance of being exposed. The relatively indestructible and impenetrable nature of the Cell System allows the individual to stay hidden until he is ready to "activate" himself. Even then he will escape the scrutiny often reserved for young men of Arab descent. Optimally he should not have any affiliations to "extremist networks" or to any extreme right wing movements for obvious reasons. This will disallow the National Intelligence Agencies to place the individual on their "radar"/under surveillance. As with the "open source" concept in general our core principles which include armed resistance against the cultural Marxists/ multiculturalists are made available for public collaboration. Our evolving approach to conducting warfare makes it extremely quick to innovate and share tactics rapidly from cell to cell without the direction of a vulnerable leadership hierarchy.

Each European country has tens of thousands individuals who are affiliated with far right conservative movements (from moderate to extreme). In addition, there are several thousand individuals who sympathise with armed resistance groups against the cultural Marxists/multiculturalists (many of them being in the police force and the intelligence agencies themselves).

National Intelligence Agencies have very limited resources and will not be able to monitor tens of thousands of people efficiently (they will not waste excessive resources on individuals who are not considered an immediate threat). They will not have any chance whatsoever to implement efficient means against Solo or even Duo cells because you are not on their "priority watch list". Even if you are on a watchlist you have several opportunities.

Weaknesses

Groups and individuals who use terror (spreading fear and means of intimidation) as its primary weapon (even if concentrated on specific individuals or government buildings only) will always have limited "open" support in the population.

The rather excessive secrecy and decentralised concept of our command structure can contribute to a reduction or distortion of information about our goals and ideals. This would only be a problem if f. example a cell commander fails to send an announcement to predefined news agencies and blogs. The biggest threat is that media or government agencies might attempt to distort our messages and material and present it to the media as NS or racist in nature in an attempt to de-legitimise us. This has the potential to prevent the wanted effect of our operation, support for our cause and political pressure on current regimes (to halt Muslim immigration and Islamisation). However, if the

cultural Marxist/multiculturalist governments attempt to falsely give credit to racist organisations they risk creating more activity among the NS movements so it is a double edged blade even for them.

3.19 Cell structure - Cell Commander



"[A Templar Knight] is truly a fearless knight, and secure on every side, for his soul is protected by the armour of faith, just as his body is protected by the armour of steel. He is thus doubly-armed, and need fear neither demons nor men."

Bernard de Clairvaux, c. 1135, De Laude Novae Militae—In Praise of the New Knighthood.

A good leader must correctly estimate the situation and all practical, military and political factors. Any cell commander (even for solo cells) must learn to master certain skills, traits and principles. He must have a strong conviction, be self-confident, be highly motivated, hard working and with the practical knowledge required in order to successfully execute an operation alone (logistics, finance and execution).

Furthermore, he must be willing to martyr himself in the final operation.

A Justiciar Knight must be keenly aware of not only the terrain, but of local political issues. They must also be fully up-to-date on the present enemy status, intelligence methods and able to initiate quick and sometimes necessary modifications in his strategy. Careful planning is required regardless of the size of the cell.

It must also be remembered that the element of surprise is crucial in the operation. A Justiciar Knight must often make quick decisions after initiating and should have undergone several simulations (especially regarding timing of allocation from target A to target B) of the operation prior to the actual assault. There can be no hesitation during the execution of plans and he must be prepared to act correctly should any potential problem arise.

A Cell commander is a volunteer and will often be working alone. Therefore the traditional military "sheep mentality" is only a liability. It's imperative that the individual is creative, resourceful, ideologically self confident and has the ability to maintain high moral. This is the reason why very few individuals are cut out for activity (perhaps only 1 out of 1000 conservative activists).

The total weight of the operation (all aspects) will be on the Justiciar Knight including:

- Finance the operation: from 10 000 Euros for basic operations (consecutive executions) and up to 300 000+ Euros (for more advanced operations).
- Buying forged ID (if necessary)
- Rent an apartment and/or hiding place (base of operation), including setting up armour/explosive caches (hid/dug down in remote locations)
- Transportation (car rental)
- Information (anonymous PC/laptop – internet)
- Buy weapons/armour/ammo/explosive components

3.20 PCCTS, Knights Templar - Organisational overview

Official name: Pauperes commilitones Christi Templique Solomonici (PCCTS), (the Poor Fellow-Soldiers of Christ and of the Temple of Solomon)

Nick name: Knights Templar

Type: European Christian military order/tribunal

Role: Defender of Europe, defender of European Christendom, destroyer of Marxism, reconquista

Allegiance: The free indigenous peoples of Europe and the European Catholic, Protestant and Orthodox Church

Size: N/A, estimate varies from 15-80 Justiciar Knights in Western Europe (2008 estimate), unknown how many civilian members

Patron and protector: Bernard of Clairvaux and Jacques de Molay

Guardian saint: Saint George of Lydda

Banner: Cross of the martyrs (a variation of the cross of St. George, red cross on white background)

Military badge 1: 2 knights riding one horse

Military badge 2: skull with symbols of the three primary hate-ideologies (Islam, Communism/multiculturalism and National Socialism) impaled by the cross of the martyrs.

Motto: Martyrdom before dhimmitude

Organisational characteristics: brotherly love, devoted obedience, embracement of martyrdom, voluntary poverty

Org. type: Military order/tribunal (Military/criminal tribunal), one of several patriotic and armed European Resistance Movements/Indigenous Rights Movements/European Crusader Movement

Re-founded: London, UK, April 2002

Org. goal: organisational goals are two fold as we are both an Indigenous Rights Movement and a pan-European Crusader Movement.
20-70 year plan: Seize political and military power in all Western European countries. Destroy and ban political Marxism/cultural Marxism (multiculturalism) as political concepts in Europe and drive out Islam for a third time.

Through military coups, overthrow all multiculturalist (cultural Marxist) regimes in Western Europe within the year 2100 and replace them with governments supervised by a "patriotic guardian tribunal" consisting of cultural conservatives/nationalists. The doctrines of multiculturalism (cultural Marxism) and Islam will be banned as a hate-ideology. The traditional Western European model for constitutional democracy (mass-

democracy) will be reformed. Areas related to "security and culture" (immigration, security, cultural identity, traditions+) will be supervised by the guardian tribunal which has the right to veto.

The rights of media companies, independent journalists and globalist companies to influence and shape politics will be considerably restricted. All media companies must reform and accept policies of affirmative action in order to ensure that at least 50% of journalists/editors - staff are cultural patriotic minded in order to create ideological balance (up from current day: 1%).

Goals:

- Phase 1 (1999-2030): Cell based shock attacks, sabotage attacks etc.
- Phase 2 (2030-2070): Same as above but bigger cells/networks, armed militias
- Phase 3 (2070-2100): Contribution with the effectuation of the coup and responsibilities in relation to security and executions of category A and B traitors.

Operational goals: P1: shock attacks, Execution of category A, B and C traitors (multiculturalists/cultural Marxists/suicidal humanists, capitalist globalists). Create favourable conditions for recruitment.

Foreign policy plan/territorial claims:

See compendium - 2083

Societal goal: the Japanese, South Korean model (a monocultural but highly developed and progressive society), the model they once adopted from Europe.

Long term political goals - after the expulsion of Islam: create the "European Federation" (a decentralised EU with strong emphasis on national sovereignty, a new cultural conservative/nationalist (anti-Marxist) hegemony consisting of Russia, a liberated Europe and a liberated US, Canada, Australia, New Zealand and South Africa.

Org. structure/leadership: de-centralised leadership structure - open source network, instead of a typical hierarchical structure. Leadership and responsibility is distributed through an open source network of self governing cells based on pre-defined principles. Each cell is organised by a self appointed voluntary cell commander (Justiciar Knight Commander) who commands up to 2 Justiciar Knight Operatives. Each cell is independent and autonomous and is not allowed to have direct contact with the founding members or other cell commanders/cell operatives.

Org. marketing/recruitment: org. recruitment strategy: non-military "supporters/sympathisers" will distribute/develop the compendium: 2083 – A European Declaration of Independence or equivalent or use alternative methods. Censored or non-censored versions may be distributed.

Org. ranks: There were 9 founding members from 8 different countries, names are kept confidential. Operative ranks:

- Justiciar Knight Commander: commander of a cell network
- Justiciar Knight Operative: operative of the cell under the authority of the commander
- Overseer: civilian rank

Future ranks:

- *Overseer (Master for national leader, Grand Master for pan-European leader) – future civilian leader(s) in phase 1/2/3*
- *National Grand Master Knight Commander: future non-military leader in phase 2/3*
- *Pan-European Grand Master Knight Commander: future pan-European military leader in phase 2/3*

Requirements: must be a Christian, Christian agnostic or a Christian atheist. Even though the PCCTS, Knights Templar are an Indigenous Rights Organisation we do not have any racial requirements in order for an individual to become a Justiciar Knight.

Org. presence: Primarily Western Europe, limited presence in the US and Eastern Europe. This may change in the future but will be limited to European territories/countries (US, Canada, Australia, New Zealand, South Africa included).

Engagements:

N/A

3.21 7 Deadly mistakes to be avoided

1. Use single or duo cell system. Several larger hierarchical networks/groups have been uncovered and brought down in both Europe and the US due to crucial mistakes that could easily have been avoided. Typical mistakes can be affiliations with individuals on government watch-lists, if you add the people from your group on Facebook etc. If you even as much as give indications that you are up to something to people you know, you are incriminating them (and thus, indirectly putting pressure on them to turn you in). A few years ago a large military nationalist network was brought down in the US (consisting of around 100 people). There were clear evidence that the individuals were linked (evidence from informants, phone logs etc) and they all received harsh sentences. The most rational approach would have been to create 50-100 cells and cutting contact with each other completely (12-24 months prior to the assaults). Instead this group worked as one big cell which made them very vulnerable. One key informant could bring down the whole network. Obviously, you are immune to informants/treason if you work alone.

2. The second mistake is inexperience. Assuming the enemy is stupid, underestimates the enemy's intelligence, thinks everything is easy and, as a result, leaves evidence that can lead to his apprehension. Because of his inexperience, he may also overestimate the resourcefulness of the enemy, believing them to be smarter than they really are. Allowing himself to be fooled by this presumption, he becomes intimidated and remains insecure and indecisive, paralyzed and lacking in audacity.

3. The third mistake is to select an overwhelmingly protected individual as a target for assassination. 12 failed attempts on an extremely well protected individual could have alternatively been 12 successful attacks on lesser targets executing more than 50 primary targets. Targets should be influential media personalities – multiculturalist politicians, journalists/editors, cultural Marxist professors, Marxist writers/artists, NGO leaders, globalist investors. Obviously, focus on individuals who does not have armed body guards.

4. The fourth mistake is to boast about the actions you have undertaken or is about to undertake and to broadcast them to the four winds. It is good to have a strong sense of purpose but if you are afflicted by an excessive need to feed your ego, you are likely to trust sensitive information to individuals who will sell you out. If you are desperate for attention and for "love/appreciation/compliments" you are likely to take un-necessary risks that will end in your incarceration. Do not involve your ego by boasting about your success, operation or entering into a "competition" with other patriots. As a Justiciar Knight, you are strictly prohibited from disclosing sensitive information to outsiders (whether they may sympathize with your core principles or not). I estimate that approximately 50% of all armed resistance fighters are are arrested and incarcerated before they even get the chance to execute their mission due to their incompetence in relation to their total lack of discretion.

5. The fifth mistake is to overestimate your partners strength/conviction and to undertake actions for which you, as yet, lack sufficient equipment or competence.

6. The sixth mistake is rash action. You lose patience, suffer an attack of nerves, do not wait for anything, and impetuously throw yourself into action, resulting in a failed operation.

7. The seventh mistake is to fail to plan things THOROUGHLY, and to act spontaneously.

3.22 Using terror as a method for waking up the masses – many of our people will hate us for it

“During a time of change, the patriot is a scarce man. He is hated and scorned. When his cause succeeds however, the timid join him. For then it costs nothing to be a patriot. ”

Mark Twain

You might remember the character from the first Matrix movie; somehow this character had been awoken from his “pod” where he was connected to a fantasy world, a software program. He didn’t like the reality he now faced as this involved suffering and a fight against the machines at terrible odds. He didn’t want to fight and he didn’t want to suffer. All he wanted was to be reconnected to his pod where he could live his old fantasy life again – disconnected from reality. The character went as far as cooperating with the machines and betrayed his own people, for the promise of being reconnected to his pod. He was simply unwilling to face reality and would even kill his own people to avoid confronting it.



In a way, this is the mainstream European in a nutshell. Scores of the people we want to save from the ongoing European genocide do not want our help (or at least, believe they do not want our help). In fact, many of them would do everything in their power to avoid being confronted with reality. This explains very often why well meaning individuals who

are trying to warn the people around them of an impending danger are condemned, ridiculed and even persecuted. It has become our, the brave few, thankless task to wake up the people from the “pods” and recruit them for the resistance movements of Europe. Unfortunately for us, human nature can very often be disadvantageous to us. Many people have adapted to this genocidal system and some have even indirectly accepted their fate. They accept that the cultural Marxist/multiculturalist regimes are in the process of wiping out European identity, our cultures, traditions and even our nation states. Many are brainwashed to a degree where they will defend this extermination program with their very life.

In order to wake up the masses, the only rational approach will be to make sure the current system implodes. This will cause a lot of short term pain; cut in welfare payouts, increased unemployment even starvation in extreme cases. The bulk of our people will refuse to join resistance movements because they feel they have too much to lose. They have invested several years and a lot of resources in long educations and most people have mortgages/loans which they have no choice but to attend to. Many receive exceptional government incentives to stay “loyal” to the system. All of these responsibilities and incentives cause a symbiosis between the victims (people) and the exterminator (regime) to a degree where we have a collective mass-scale “Stockholm syndrome” (sympathies and loyalty to captor). Our objective is to break these bonds and this can only be achieved through contributing to creating a scenario where the anti-European hate ideology we wish to destroy perishes/implodes or dies from a thousand cuts. For every successful operation a new cut is applied and will contribute to this ideology’s demise. Wiping out Marxism in Europe will take us 30-70 years but we will succeed eventually. Every effort counts, have no doubt about that.

As the system weakens gradually, the unemployment rate will rise and people will suffer short term. However, this is the only way we can create a situation where people will actually stand up for their opinions. We must break their symbiosis to their captor and many of the people we are trying to liberate will hate us for it. Nevertheless, it is the only way to destroy cultural Marxism in Western Europe and secure freedom to all Europeans.

3.23 The cruel nature of our operations

“We do not want to do this, but we are left no choice.”

The 3-phase-process of destroying and replacing the current cultural Marxist/multiculturalist regimes of Western Europe will not be easy or painless. Keep in mind that these regimes we are fighting have and are still committing genocide against the indigenous peoples of Europe by exposing them to more than 25 million Muslims. They have indirectly killed more than 15 000 Europeans, raped more than 500 000 European women, robbed and terrorised more than 4,5 million Europeans, fired more than 37 000 cultural conservatives from their jobs and incarcerated more than 150 000 brothers and sisters for opposing their policies.

As a Justiciar Knight you are operating as a jury, judge and executioner on behalf of all free Europeans. Never forget that it is not only your right to act against the tyranny of the cultural Marxist/multiculturalist elites of Europe, it is your duty to do so.

There are situations in which cruelty is necessary, and refusing to apply necessary cruelty is a betrayal of the people whom you wish to protect.

The preferred method is to attack in a violent and deceptive form (shock attack), usually with limited forces (1-2 individuals).

Once you decide to strike, it is better to kill too many than not enough, or you risk reducing the desired ideological impact of the strike. Explain what you have done (in an announcement distributed prior to operation) and make certain that everyone understands that we, the free peoples of Europe, are going to strike again and again. Do not apologise, make excuses or express regret for you are acting in self-defence or in a preemptive manner. In many ways, morality has lost its meaning in our struggle. The question of good and evil is reduced to one simple choice. For every free patriotic European, only one choice remains: Survive or perish. Some innocent will die in our operations as they are simply at the wrong place at the wrong time. Get used the idea. The needs of the many will always surpass the needs of the few.

3.24 Principle of Proportionality

The principle of proportionality should be adhered to by those carrying out the armed struggle against the multiculturalist elites of Europe. This means that we should under normal (optimal) circumstances not exceed (per 2010) aprox. 45 000 dead and 1 million wounded cultural Marxists/multiculturalists in Western Europe. The numbers reflect the equivalent number of victims they, themselves, have on their conscience, the results they have inflicted on their own populations due to implementation of the EU's Eurabia project/European multiculturalism. If you include the total amount of Serb soldiers that died due to the NATO attacks, the numbers will be higher. In addition, approximately 10 000-20 000 Europeans have been killed in Northern Africa, Rhodesia and South Africa due to the cultural Marxist/multiculturalist post-1950 policies. The total number of Europeans the "category A and B traitors" of Western Europe have killed are totalling approximately 100 000 based on these estimates. If you include wider parameters (such as Christian Maronites, Copts, Azyrians) the numbers will range in the hundreds of thousands. Western European regimes chose to ignore the call from one of our protectorates (Christian Lebanon) and tens of thousands died (and are still dying) as a result. If we include global Jihadi genocides of Christians, such as in Sudan (where the Western European regimes have refused to assist the call of our Christian allies due to appeasement of the Islamic regimes) the numbers will range in the millions.

End note: Many conservatives (especially Christian conservatives), however, would insist that the total number of aborted individuals are added as well as direct casualties of the cultural Marxist ideology which totals aprox: 2 million + individuals in Western Europe since the beginning of 1950 until today.

Planning the operation

“Violence is the mother of change.”

The following suggestions should be considered before the planning phase of any operation is initiated.

3.25 Funding your operation

Certain individuals will already have enough capital to fund an operation. 10 000–20 000 Euro would be sufficient for assassinations/executions of key category A or B traitors. The range of funds needed varies from 10 000 - 200 000 Euro (depending on the nature of the operation). Here are a few guidelines if you are completely broke or even indebted:

12 months of hard work (sales and marketing) would allow you to save approximately 30 000-50 000 Euro in many Western European countries. Furthermore, you will be able to apply for various credit and loan arrangements (credit cards or other long term/short term credit solutions) netting you from 20 000-100 000 Euro. This should be sufficient for any low to medium scale operation. Keep in mind that additional funds would give you more leeway and allow for more operational flexibility.

The 9/11 operations cells (12 individuals) were reported to have required somewhere between \$400 000 and \$500 000 in operating funds.

If criminal activities is the only available option for you, know this; It is politically and strategically justifiable to “expropriate” resources if it finances the armed struggle. This the primary factor that separates urban guerrillas from common criminals. Criminals rob for their own benefit while an urban resistance guerrilla expropriate in order to serve his people and country.

Be creative

You can also attempt to get funding from financially privileged sympathisers in your country. Present related projects (a book project or your plan to create a youth movement related to Cultural Conservatism, anti-Jihad movement). Create a business plan. Be very clear about your non-violent means while at the same time sending the necessary signals. An alternative would be to organise a fund raiser against global Jihad (to the victims of Jihad etc). The point of this façade is to have proper justification to collect funds from sympathisers and at the same time send the correct signals (we want your financial aid to the resistance movement) without incriminating him/her/them in any way by revealing too much. If he is a sympathiser he will support your “peaceful project”, or he will reject it. At least 10% of capitalists sympathise with the cause to a degree where they will agree to fund/contribute financially to your project/fund raiser. It may be required to organise a fund raising organisation by creating a company in a tax haven. Research various tax havens that offer the required security and anonymity. There are more than 100 tax havens around the world, although it’s critical to understand that only 7 of them are actually secure enough (and the list is shrinking from year to year).

A short guide to maximising your credit (credit cards, loans)

I must admit I was quite concerned when starting on this aspect of the planning phase. How can I apply for various credit cards if I have spent the last three years writing a book with no steady income whatsoever?

After some research into this issue I concluded that getting normal loans was out of the question as I did not fulfil the minimum required demands (official tax records from previous year indicating a high income, real estate etc). This would be an option for individuals who have real estate or people who can document at least a stable income. Getting credit cards seemed to be the only alternative for me and I would have to be creative as these requirements are also quite strict. I had 60 000 Euro but wanted an additional reserve credit of at least 20 000 Euro as a safety buffer. On May 2009 I started a company and transferred the first "salary to myself" and created documentation on behalf of the company supporting this. My intention was to create the necessary documentation to get at least a minimum of credit.

Step 1 – create a foundation if required: Create a company - transfer funds from your personal account to your business account - transfer the first monthly amount (say 3000 Euro on May 15th) according to the Norwegian system you deduct the tax (35-50%) and vacation funds (aprox 10%) before transferring the rest of the amount (the actual salary) to the individual).

June 15th – transfer second amount

July 15th – third payment

August 15th – fourth payment

You now have supporting data (verifiable bank transactions) to create the required documentation (salary documentation for four months). You're now ready to start the application process to various companies.

Step 2 - mapping: By now you should have already created an overview of various providers of credit cards in your country. I identified aprox 20 various companies. Identify who these companies are using as their primary bank. F example Bank x might use several different sub companies to market different cards, but they will have the same credit department. Avoid sending multiple applications to the same company (credit department) as this will cause suspicion and may have all your applications rejected.

Out of the 25 different credit cards I managed to trace them back to twelve actual providers.

The problem now was that a great majority of them only had online procedure forms. These online application templates would most certainly result in little success as they use data from last year as the main criteria.

Step 3 – application process: I applied online to twelve and sent physical applications with supporting documentation to four providers.

As anticipated, ten of the online applications were rejected as many of them didn't even have a comment field. However, all you have to do is contact the credit department of the various companies and forward the supporting documentation.

Overview result: 16 applications sent, 7 decline (even after the supporting documentation was provided) – 9 approved.

Total credit gained (including the credit card I already had): 26 000 Euro.

It was more than I expected to get considering the fact that I had a weak platform to acquire from. This credit will serve as a buffer amount/emergency funds in the later phase of the operation if needed.

A person who can verify a stable salary of for example 70 000 Euro can get up to 240 000 Euro in credit/loans based on this level of salary alone, even more if you have real estate.

As a general rule, approx 15-50% of operational funds should be credit, not more. This should be used if needed as a last recourse as you only have around 30-60 days before they (the companies) will start to implement various measures to acquire their funds back if you miss payments. You can of course max your limit on the various cards and administrate the payments so that it is somewhat financially synchronised with the final operation date. Also, be sure to double check the legislation concerning credit card debt in your country and ensure that it will not be transferred to your loved ones (wife, kids) in case of death or incarceration.

Estimated funds required for high quality equipment

Armour, weapons and ammo: 7 000 – 30 000 Euro

Explosives materials: 5 000 – 100 000 Euro

Other logistics/transport/lodging: 3 000 – 20 000 Euro

Total amount spent in the planning + creation of book

Approx 240 000 Euro, 140 000 for the creation of the compendium and approximately 140 000 Euro for the operation.

3.26 Avoiding suspicion from relatives, neighbours and friends

Present a "credible project/alibi" to your friends, co-workers and family. Announce to your closest friends, co-workers and family that you are pursuing a "project" that can at least partly justify your "new pattern of activities" (isolation/travel) while in the planning phase.

For example, tell them that you have started to play World of Warcraft or any other online MMO game and that you wish to focus on this for the next months/year. This "new project" can justify isolation and people will understand somewhat why you are not answering your phone over long periods. Tell them that you are completely hooked on the game (raiding dungeons etc). Emphasise to them that this is a dream you have had since you were a kid. If they stress you, insist and ask them to respect your decision. You will be amazed on how much you can do undetected while blaming this game. If your planning requires you to travel, say that you are visiting one of your WoW friends, or better yet, a girl from your "guild" (who lives in another country). No further questions will be raised if you present these arguments.

Blaming WoW is also quite strategic due to another factor. It is usually considered "tabu" or even shameful in our society today to be hooked on an MMO. By revealing "this secret" to your close ones you are therefore (to them at least) entrusting them with your

innermost secret. Usually they will "contribute" to keeping this secret for you which can be very beneficial. (If people from your "secondary" social circle ask them they will even usually "lie" on your behalf (giving you alibi), in order to keep your MMO project a secret.

Avoid exposing your political conviction

Appear politically correct or at least moderate, dress normally. Try to limit your rhetorical activities. Avoid excessive forum posting. Excessive forum activity might get you "flagged" by your national government.

How to use social taboos to prevent individuals close to you from digging too much or ask too many questions - AND how to easily manipulate them into assisting you in protecting your cover from everyone else without them having the slightest clue what is going on

Using social taboos is an extremely effective method from preventing people who know you well from digging too much or ask too many questions about your activities that weekend or that year. It is also an extremely effective method for manipulating them into protecting your cover.

Long term covers:

- Say you play WoW (World of Warcraft) or another MMO and have developed an addiction for it. Say that are going to play hardcore for the rest of the year and it is no point trying to convince you otherwise. Inform them that you will be busy doing that in the future etc. Tell them that you are ashamed of it and you don't want to talk any more about it. Make them swear to not tell anyone! (you just effectively prevented any more questions from that person AND made the individual assist you in protecting your cover from everyone else)
- Say you think you are gay and are in the process of discovering your new self and that you don't want to talk any more about this issue. Tell them that you are ashamed of it and you don't want to talk any more about it. Make them swear to not tell anyone! (your ego is likely to take a dent unless you are secure in your own heterosexuality, because they will actually believe you are gay. However, it's an extremely effective strategy for stopping questions and prevent people from digging in your life when you don't want them to.

Short term covers:

- If you need a credible cover, when going abroad for a weekend etc. and the individuals you are trying to convince are too closely related to you to buy into any BS about a "conference cover etc); say you are going to a massage parlour or brothel abroad. Tell them that you are ashamed of it and you don't want to talk any more about it. Make them swear to not tell anyone!

These are all cynical and manipulative strategies but extremely effective. Lying to and manipulating other people is generally a bad thing and should be avoided if possible. However, the severity of our operation often requires us to be cynical, manipulative and pragmatical. We don't have to like it, but we occasionally have to do it.

3.27 Avoid ending up on watch lists

There are certain steps you can take in order to make it very hard for the National Intelligence Agency to monitor you.

Obviously, the best approach is to avoid ending up on their watch list all together.

They may have you on a watch list already and might even monitor some of your activities (internet/cell phone traffic). This will likely be the case if you have been involved in right wing activities in the past and are considered a threat against the establishment.

Avoid using channels they can monitor for activities involving planning of the operation. Use alias's when corresponding while doing research. Use software which masks your IP address and other technology while researching via the internet (for example the Tor network, anonymize.net or Ipredator). Be extra careful when researching for bomb schematics (fertiliser bombs) as many terms will trigger electronic alerts. You can consider using other people's networks remotely via laptop by parking outside their apartment/house. You can also buy an anonymous laptop and browse free from your local Mc Donalds etc. Use software to remove spy ware, cookies etc.

Before you start planning an operation use the following guidelines:

No email correspondence, phone activity that might incriminate you or reveal any information of relevance.

The most essential aim is to avoid ending up on any watch list.

3.28 Anti-monitoring routines

Quick list

1. Mobile phone. Turn it off or they can triangulate your position anywhere. Certain phones are possible to monitor even when turned off even if you take out the battery (they have internal batteries for certain functions).
2. Surfing/email. Treat it as if you know it will be monitored. It's rarely a safe method to use if you want anonymity even if you use the draft box in your email account to communicate with someone. Alternatively, create a more secure email account (hushmail or any service which offer a greater degree of anonymity) while using Tor network (masking your IP). Alternatives to Tor are anonymize.net or Ipredator. It's an annoying but necessary process as Tor makes your connection very slow, and you have to make sure it's always on when you log in to your email or each time you research sensitive topics. I usually use Mozilla Firefox for Tor and Internet Explorer for normal surfing. Consider acquiring an unregistered laptop and surf while using LAN stations outside your home (many Mc Donald's or other service shops offer free wireless LAN which you can tap into outside their premises while sitting in your car. Just remember that if you use an unregistered and anonymous laptop for this purpose then remember that you must never use it for purposes that may reveal your identity at a later point.

3. Facebook, treat this channel as if you know it will be monitored.
4. European toll stations. Many European countries/cities have toll stations where you pay a small fee to pass. Some of these will film/photograph your car and even the driver. This varies but in some cases this data will be archived for as long as 10 years allowing the intelligence agency to back trace activity and movement patterns.
5. Travelling. Be sure to have a credible reason for travelling (memorise details about congresses, museums, names of certain institutions etc.) or bring brochures that you printed from the net. There are always plenty of congresses or exhibitions every week in European major cities. Consider joining specific Facebook groups – interest areas/congresses/exhibitions prior to trip to increase the credibility of your “alibi” f example.
6. Never use credit cards while travelling abroad, always use cash. Ensure that you provide the correct currency before you leave and bring 20-30% more than your estimate using.
7. Using your network. As a general rule. You will increase your chance of being apprehended by 100% for every person you involve. Don't trust anyone unless you absolutely need to (which should never be the case). Do absolutely everything yourself.
8. If you are in the middle of a WMD “acquiring phase” relating to components needed for a bomb (fertiliser etc), then divide the “acquiring phase into five sub phases in the following order:
 - Primary explosive phase
 - Fertiliser phase
 - Nitromethane/jet fuel/diesel phase
 - Remote detonator/timer detonator device phase
 - Transportation (renting trucks/vans – you don't initiate this sub phase until 1 week before the operation)

You don't start the separate phases until you are completely done with each sub-phase. You DO NOT initiate two or more phases at the same time! You always start with the hardest part – the acquisition of TNT/dynamite/semtex or similar substances, then move on to the next phase. The first sub-phase consists of acquiring TNT/dynamite. As soon as you have acquired f example 100-500 kg you secure it and bury it in an underground cache at a unique and remote location.

You can THEN initiate the fertiliser phase. When you are done acquiring enough fertiliser (2-5 tons) you secure it/seal it from moisture and bury it at a safe and DIFFERENT location (preferably in an underground cache). After that sub-phase is completed you can start on acquiring nitro or jet fuel. If you are unable to acquire these substances than just use diesel. If the intelligence agency receives intel about your activities during any of the sub-phases they will strike when they know there is an orgy of evidence available. By dividing the acquisition phase into sup-phases this will make it a lot more difficult for them should they ever receive any intel about you. Also, you should establish covers for each sub phase. F example, as you collect fertiliser you should have a business plan and a credible cover which will confirm that you are using the fertiliser for a harvest. You will need to create a business plan where you describe exactly how you are going to use the fertiliser (obviously, choose a type of crop for your cover that you know will require a maximum amount of fertiliser and acquire it during the beginning of the season not to avoid triggering “red flags”). Renting/leasing a small farm area (this farm house can also be used as your acquisition HQ) will strengthen the credibility of your cover for that sub phase. Equivalent covers should be established for each sub phase. F example, you should have a business plan for a small mineral exploration company (mineral exploration – blasting/drilling) before you start/attempt acquiring TNT. It is essential that your cover is credible enough to withstand potential scrutiny. Create and establish a

company, create a business plan, create business cards, an internet site etc. Remember, you don't need to re-invent the wheel here. Just cannibalise any available business plan on the topic as many are available on the field of "mineral exploration". Rinse and repeat using these principles during the various sub phases relating to acquisition as it may be your "get out of jail free card" should someone ever receive any intel about you. Creating credible covers is an essential part of "acquisition management".

3.29 How to stay motivated for longer periods – perform a daily mental check

"A man does what he must - in spite of personal consequences, in spite of obstacles and dangers and pressures - and that is the basis of all human morality. "

Winston Churchill

Being a Justiciar Knight is not for everyone. You are normally required to plan absolutely everything alone; fight alone to see your mission through and you are likely to die alone with half of your city's system protectors hunting you. However, I have never in my life felt that I have done anything more meaningful than what I am doing now regardless of the lack of moral support from my founding brothers or other armed resistance fighters. Support from our extremely distributed and anonymous "non-hierarchy" out there would be nice but I have managed to cope through mental discipline to become what I am today; a self driven and highly effective manifestation of an independent resistance cell. I have managed to stay focused and highly motivated for a duration of more than 9 years now. I feel really happy about my current course. In fact, I have never been happier than I am today and I do not find it problematical hide my true ideological agenda from everyone else. To all I know I am a moderate right-winger and not a resistance fighter. It isn't easy to reach this level of mental comfort and focus while at the same time working on something so important and serious. You have to overcome difficult initial psychological challenges and perform a slight subsequent mental check every single day until the operation is complete. This shouldn't be underestimated as it is perhaps the most important aspect of being a part of an "open-source resistance network" where you rely on being able to motivate yourself. Embracing martyrdom is not something you suddenly decide to do, but it is a process that takes time and requires effort and self contemplation. This is a factor that a majority of resistance fighters ignore and is why a majority of novices become de-motivated after a certain period. They are not doing what is required of them due to lack of training, knowledge and eventually lose the will to fight due to lack of motivation. I do a mental check almost every day through meditation and philosophising. I simulate/meditate while I go for a walk, playing my Ipod in my neighbourhood. This consists of a daily 40 minute walk while at the same time philosophising ideologically/performing self indoctrination and the mental simulation of the operation while listening to motivational and inspiring music. I simulate various future scenarios relating to resistance efforts, confrontations with police, future interrogation scenarios, future court appearances, future media interviews etc. or I philosophise about certain articles in the book. This daily mental exercise or ritual keeps me fully motivated and charges my batteries. And I'm sure it can work for other people as well.

Learning the ability/rituals to motivate yourself and being able to follow this ritual on a daily basis is perhaps the most essential aspect of our armed resistance effort in phase 1. One of the reasons why Muslims are so effective at guerrilla warfare is that they keep

themselves motivated by praying five times a day and reciting motivational Suras from the Quran.

This might sound appalling and outrageous to especially some Christian religious members of the revolutionary conservative resistance fighters but certain measures can and should be taken to balance/revitalise your psychological state of mind in situations when you feel completely de-motivated and down during the various planning phases. At the end of the day; you are your own worst enemy, and de-motivation leading to psychological breakdown and eventually to a scenario where a resistance fighter chooses to abandon the ideological cause is one of the most recurrent causes for individuals who lacks competence in revitalising and balancing his psychological state of mind.

It is absolutely essential that you, as a conservative revolutionary learn and practice efficient rituals and various methods to maintain high moral and motivation. It is permitted and even encouraged that you seek whatever solutions that works for you including enjoying good food, sexual stimuli, meditation and any and all methods that will contribute to keep your moral and motivation up.

From a pragmatcal point of view; these methods are considered as a quite efficient psychological stimulus which has the potency to boost your serotonin production and help you overcome any situation where you feel drained, scared, insecure, confused or de-motivated. As overcoming continuous and often daily personal psychological barriers is at the very core of our challenges, using these tactical psychological methods and similar approaches should be considered an integral part of the planning phases to ensure that you remain in a balanced state of mind. A balanced state of mind (especially for single or duo cells) is required for any military operation which last over a longer period. You may be prevented from communicating and receiving a much needed "pat on the back" or encouraging comments from other cell members as you may be in a single or duo cell, relying on your own self-encouraging measures. Ensuring that you maintain a stable, motivated and focused mind is anything but absurd. Yes, for certain religious members, certain measures are obviously in violation to biblical teachings but the amount of grace and divine goodwill generated at the point where you sacrifice everything (in the martyrdom operation) will provide you with an abundance of it, which will more than nullify any minor or serious sins committed prior to operation.

How to sustain your high morale and motivation for years through music

Becoming and maintaining the position as a self sufficient Justiciar Knight sleeper cell involves the capability to motivate/indoctrinate yourself over a prolonged period of time. Self-financed and self-indoctrinated single individual attack cells, is the backbone of the Knights Templar Europe. The importance of the ability for single cell commanders to be able to keep their spirits and morale up through self-indoctrination and motivation by using specific motivational techniques has been stressed on multiple occasions.

I have previously stated that taking long walks/work out while listening to select music is a very efficient way of sustaining your needs in this regard. 3-5, 40-90 min walks/workouts per week has sustained my high morale, confidence and motivation for several years. When you combine this "ritual" with reading the occasional resistance blog you gain all the motivation you will ever need. Repeat these routines on a weekly basis and you will sustain your motivation and moral for as long as is needed. Keep in mind that from the initial planning of your operation to the actual effectuation of it, the time passed can exceed 2 years. The key to stay focused and motivated without taking the unacceptable risk of communicating with other revolutionary conservatives, is to employ successful motivational techniques on your own.

I will now show you several music tracks you should acquire as soon as possible which are ideal for the purpose of maintaining a high level of motivation and confidence:

Motivational music tracks, artist: Saga

Saga is a courageous, Swedish, female nationalist-oriented musician who creates pop-music with patriotic texts. She is, as far as I know, the best and most talented patriotic musician in the English speaking world. And for those of you, like myself, who hates "metal", Saga is one of the few sources available that offers quality patriotic pop-music with brilliant texts. Most of the tracks are in English and some are in Swedish.

Marxist and multiculturalist character-assassins will claim that Saga is an evil, national-socialist monsterband from hell, due to her success. However, this characteristic couldn't be anywhere further from the truth. Although the environment surrounding Saga, the former NSF – National Socialistisk Forening (a former Swedish Indigenous Rights Movement demonised as "evil Nazi monsters"), used to be self-proclaimed national socialists; it has become evident that most of them now has embraced a more national conservative ideological denomination of conservatism, very similar to that of Knights Templar Europe. Saga has created several pop-tracks with nationalist-oriented texts that will appeal to all conservatives, and especially revolutionary conservatives of all conservative ideological denominations.

Saga has the credibility to use the texts presented vocally as she has been a Swedish and European conservative resistance fighter for more than 10 years, working for the political and cultural interests of Sweden and the interests of all Swedes, Scandinavians and Europeans. Saga and similar patriotic heroes and heroines of Scandinavia, who unlike individuals like myself who has yet to come out of the "revolutionary conservative closet", has had to face political persecution and demonisation for years. Yet they continue their brave struggle to prevent the demographical and cultural genocide of the Scandinavian and European tribes. Instead of "physical" revolutionary or democratic resistance, she fights through her music by inspiring the best in us.

I discovered Sagas music relatively late, in 2008, but have enjoyed it ever since. I have listened to many of the tracks several hundred times and I don't seem to get tired of them. I would HIGHLY recommend that all Justiciar Knights of Europe and other revolutionary conservatives use these tracks for self-motivating purposes. Don't just listen to the tracks but learn the texts as well. It has worked brilliantly for me and it will likely work just as well for you. However, "soon-to-become conservative martyrs" should be careful when acquiring the tracks (use anonymizer software and take other necessary precautions) as it is likely that the distribution of the music is monitored by the Swedish intelligence agency, under directive of the Swedish multiculturalist regime.

Below are the best tracks with comment from the albums: Pro Patria III (PP) and: On My Own (OMO). Some lyrics are created

The best vocal English tracks:

One Nation Arise (OMO)

[Illegible text]

Hypocrite (OMO)

[Illegible text]

Black Bannered Legion (OMO)

[Illegible text]

Ode To A Dying People (OMO, the most popular of the tracks)

[Illegible text]

The Nation's Fate (OMO)

Original title: Den Nationens Ödö
Composer: Carl Gustav Ljungström
Lyrics: Carl Gustav Ljungström
Arranged by: Carl Gustav Ljungström
Performer: Carl Gustav Ljungström
Year: 1918
Genre: OMO
Duration: 3:00
Source: [thisissaga.com](https://www.thisissaga.com)

Tomorrow Belongs To Me

Original title: Tomorrow Belongs To Me
Composer: Carl Gustav Ljungström
Lyrics: Carl Gustav Ljungström
Arranged by: Carl Gustav Ljungström
Performer: Carl Gustav Ljungström
Year: 1918
Genre: OMO
Duration: 3:00
Source: [thisissaga.com](https://www.thisissaga.com)

The Snow Fell

Original title: The Snow Fell
Composer: Carl Gustav Ljungström
Lyrics: Carl Gustav Ljungström
Arranged by: Carl Gustav Ljungström
Performer: Carl Gustav Ljungström
Year: 1918
Genre: OMO
Duration: 3:00
Source: [thisissaga.com](https://www.thisissaga.com)

The best vocal Swedish tracks (For Norwegians, Swedes and Danes):

Valkyrian (PP)

Original title: Valkyrian
Composer: Carl Gustav Ljungström
Lyrics: Carl Gustav Ljungström
Arranged by: Carl Gustav Ljungström
Performer: Carl Gustav Ljungström
Year: 1918
Genre: PP
Duration: 3:00
Source: [thisissaga.com](https://www.thisissaga.com)

Yttrandefrihet (PP)

Original title: Yttrandefrihet
Composer: Carl Gustav Ljungström
Lyrics: Carl Gustav Ljungström
Arranged by: Carl Gustav Ljungström
Performer: Carl Gustav Ljungström
Year: 1918
Genre: PP
Duration: 3:00
Source: [thisissaga.com](https://www.thisissaga.com)

Krigarens Själ (PP)

Original title: Krigarens Själ
Composer: Carl Gustav Ljungström
Lyrics: Carl Gustav Ljungström
Arranged by: Carl Gustav Ljungström
Performer: Carl Gustav Ljungström
Year: 1918
Genre: PP
Duration: 3:00
Source: [thisissaga.com](https://www.thisissaga.com)

Frihetens Fana (PP)

Original title: Frihetens Fana
Composer: Carl Gustav Ljungström
Lyrics: Carl Gustav Ljungström
Arranged by: Carl Gustav Ljungström
Performer: Carl Gustav Ljungström
Year: 1918
Genre: PP
Duration: 3:00
Source: [thisissaga.com](https://www.thisissaga.com)

Drömmarnas Stig (PP) – my personal favourite

Original title: Drömmarnas Stig
Composer: Carl Gustav Ljungström
Lyrics: Carl Gustav Ljungström
Arranged by: Carl Gustav Ljungström
Performer: Carl Gustav Ljungström
Year: 1918
Genre: PP
Duration: 3:00
Source: [thisissaga.com](https://www.thisissaga.com)

The above are the best tracks from Saga. I ignored the tracks I consider lacking or due to them being unavailable.

From site: [thisissaga.com](https://www.thisissaga.com)

Other artists:

Lux Aeterna by the English composer and musician Clint Mansell

Comment: I love this work. Lux Aeterna means "eternal light" and it really is an appropriate title. I've listened to this track several hundred times and I never seem to get tired of it. The track is very inspiring and invokes a type of passionate rage within you. In Lord of the Rings – a good version of this track (Requiem for a Tower version which I think is the best) is performed during the most intense fighting of one of the central battles. Since it has worked for me, it is likely that it will work for you. An invigorating piece of art.

Motivational music tracks, artist: Helene Bøksle

The following is Helene Bøksle's - Age of Conan theme music. Three of the tracks surpass almost anything I've heard before. The tracks are in old Norse tongue (old Norwegian), truly epic, very powerful and motivational and even worthy of playing during a martyrdom operation (in addition to Saga and Clint Mansell).

Track 1: The Dreaming - Ere the World Crumbles

<http://www.youtube.com/watch?v=5Kn99vRCbww>

<http://www.youtube.com/watch?v=-g5KYv2oqXk> (live version)

Track 2: Nighttime journey through the Eiglophian mountains (Ascending Cimmeria)

<http://www.youtube.com/watch?v=7GVMEdIfaJQ>

Track 3: The Dreaming Anew - Memories of Cimmeria

<http://www.youtube.com/watch?v=deDNzOYHu-4>

Imagine the following; at the end of your mission, when you have completed your primary objectives - imagine fighting for your life against a pursuing pack of system protectors (or as I like to call them: armed defenders of the multiculturalist system, also referred to as the police). You try to avoid confrontation but they eventually manage to surround you. You hear this song as you push forward to annihilate one of their flanks, head shotting two of your foes in bloody fervor trying to survive. This angelic voice sings to you from the heavens, strengthening your resolve in a hopeless battle. Your last desperate thrust kills another two of your enemies. But it isn't enough as you are now completely surrounded; your time is now. This voice is all you hear as your light turns to darkness and you enter into the Kingdom of Heaven. This must surely be the most glorious way to claim the honour of martyrdom in battle.

The following is also decent track for maintaining a high morale during a limited battle confrontation although it lacks vocal:

The Awakening - Hyborian Adventures

http://www.youtube.com/watch?v=aHrE_fU2OtY

3.30 Diversify risk by dividing the operation into 4 phases

1. Research phase

Storing certain information electronically in shorter or longer periods is unavoidable during the research phase (logistical strategies and bomb/weapon schematics etc). This information is usually stored on the individuals PC while doing research. Keep in mind that the planning of military operations/attacks (under terrorism laws) is illegal. A schematic or vague indications of a plan are not considered solid evidence unless backed by either witness testimony or either weapons or explosive components together with verifiable affiliations to terror groups.

2. Logistics

Before you start the logistics phase you need to store all relevant research/information on a memory stick and get rid of it (bury it in a moist proof sealed container far away from your home, you will acquire it again in phase 3). The reason is that any written plans combined with weapons or explosives are considered solid evidence. Also, you need to replace (get rid of or destroy) your physical PC hard drive. Deleting the information is not sufficient. You need physically destroy it, submerge it in liquid and dump it on the other side of town. You are now set to start the logistics phase. Acquire the necessary weapons, ammo, body armour and explosives. As the "shopping phase" can last up to 12 months you should divide the total list into 4 batches. As soon as you have bought 25 or 33% of the list, seal it in a container and bury far from your home/base. Find separate locations for the next caches. The essence is to avoid having weapons/armour (evidence) in your base/home as it will incriminate you.

3. Assembly phase

Before you start this phase, you should keep in mind that phase 4 will be executed shortly after assembly. You should therefore ensure that you have completed all practical assignments (or private issues) before you start phase 3. This is the most risky phase. You are vulnerable as you will have all the equipment (evidence) you have acquired readily available. Ensure that the assembly phase does not last longer than it should (7 days maximum).

4. Implementation/execution of operation

Assembly phase completed. You are now ready to start on your final mission. Good luck and give them hell!

End note: I divided my operational phases into the following sub phases:

1. Armour research phase
2. Armour acquirement phase
Purge harddrive, purge evidence, bury armour crate
3. Weapons research phase
4. Weapons acquirement phase
Purge harddrive, evidence, did not bury weapons crate
5. Explosives research phase
6. Explosives acquirement phase
Purge harddrive, purge evidence
7. Explosives manufacturing phase
8. Execution

Creating your mining/agriculture cover before an acquisition phase

Personally, I downloaded Foxit PDF Editor w. serial which allows you to completely rewrite/modify any existing PDF Prospectus with all rights. Thanks to this software or any equivalent you can easily rewrite professional looking prospectuses to suit your specific needs. I first researched the mining industry, through financial/stock channels, especially looking for old mining related prospectuses in relation to small companies which went public (IPO or Initial Public Offering when being listed on a stock exchange) or which had undergone equity/share issue, a process for acquiring capital. I reviewed a total of 14 various mining related prospectuses for small sized companies before I found a suitable prospectus. Optimally, the company should be relatively unknown and in a start up phase as it is essential that the cover is credible (an English prospectus is preferable).

I spent two to three weeks rewriting the prospectus and setting up the correlating website with business card. I may use this cover when I approach suppliers or in a worst case scenario; this cover may create a reasonable doubt during a future trial as it will strongly indicate that I intend to use any future explosives acquired in a commercial manner (surface mining in Nordland and Finnmark), should I ever get arrested. The prospectus and accompanying mining related resources may contribute to create a reasonable doubt in any future terror trial considering the fact that it looks very professional/credible with inclusion of specific blasting sites. Optimally, I should photo-document multiple blast sites (f example 50-100) in order to add to the credibility but I am uncertain that I will have the resources to do that at this point (Nordland and Finnmark is 700-1000 km from Oslo).

As for creating an agriculture cover relating to the acquisition of substantial amounts of nitro-fertilizer; I originally had planned to create yet another agriculture prospectus and website etc. for use in the fertilizer-acquirement phase. However, I will instead just educate myself concerning a realistic case study involving growing sugarbeets on 5-20 acres (fertilizer intensive crop) in either my own country or my neighbouring country. This study will involve insights into related routines and methods for growing sugarbeets, so that I may potentially pass the scrutiny for any fertilizer-store clerk.

End note. Foxit PDF works but is a semi-crappy and relatively unstable software. However, I was unwilling to budget more time to research better "PDF Rewriter software".

3.31 Equipment – weapons/ammo/armour etc.

Military equipment should be selected based upon the nature of the operation. The weapons you end up with are often not what you would want, and therefore the best must be made of what is available for their use at a given time. However, you will make every attempt to acquire the absolute best equipment. You will rely on your equipment to keep you alive long enough to accomplish your objectives so do spend the necessary time to acquire solid gear.

Optimal equipment for urban operations:

Offensive/defensive weapons

- HK416 assault rifle with "redpoint" optics (4 extra long clips)

Alternatively: any assault rifle (AK 47 etc.). Try to acquire a modern weapon with anti recoil functionality.

- Glock handgun with silencer and laser (2-4 extra long clips)
- 3 splint grenades
- 1-2 shock grenade
- 2 x arm defensive devices (knives)
- Gas mask

Ammo (clip administration)

Assault rifle ammo: 1 armour penetration round, 1 dum dum round (ratio 1/1)
Handgun ammo: 1 armour penetration round, 1 dum dum round (ratio 1/1)

You are likely to face armoured agents (similar armour to yourself) so your primary weapon should have armour penetration rounds. Lead or other weak alloy projectiles will not be optimal. It will be very difficult to acquire some of this equipment but see logistics chapter for specific advice.

Body armour

- Ballistic Neck Protector
- Ballistic Helmet/Face Shield (with 1,5-2 cm thick ballistic visor)
- Ballistic Vest (upgraded version)
- Consider using leg armour (you may have to create it yourself)
- Consider using additional armour as long as it doesn't affect your mobility too much.

Armour with rigid panels provides superior protection. Top-grade SWAT vests are with steel or ceramic panels and can withstand armour-piercing handgun and rifle bullets. They weigh more than 20 kg and are more uncomfortable than many other variants so you will rely on scooter/car for transportation.

There are three certified levels of body armour. The most commonly worn, Level **IIA**, offers realistic protection against all .22, .25, .32, .380, and .38, calibre handgun ammunition, against most 9mm, .357 Magnum, .40 S&W, .45 ACP and .44 Magnum handgun ammunition and against 000 buck shotgun pellets. Level **II** and Level **IIIA** armour protects from even greater threats including 12 gauge shotgun slugs and the "hottest" .44 Magnum rounds.

Defensive bulletproof shield

Try to acquire a small police version shield. If unable to acquire it on the market, you may create one yourself if you can provide the materials. An optimal size for our purpose (and provided you have leg armour) would be any size from 50 x 50 to 70 x 70 cm, although most shields on the market are larger. You may have to re-equip with handles, a carrying strap (so you may carry it on your back), police insignia, one or two 10 cm spikes and/or razorblades on the front of the shield (primarily as a deterrent to prevent people from jumping you from behind). The 2 handles should optimally be designed in such a fashion that it stabilises the shield when held by one hand (one handle in the centre), with a

second handle at the right side of the centre to reinforce with other hand if you are under heavy fire. A shield like this is excellent when employing a TotM manoeuvre (storming a flank if you are surrounded/a thrust moving forward to enemy location, usually a system protector position behind an armoured police vehicle). The shield is very effective when used in such a context. The weight should not exceed 5 kilograms. Optimally, the shield should have a small window to look through made of defensive glass/plastic. The rest of the shield is usually made from a special type of metal or other bullet proof material. When travelling between two positions, the shield is mounted on your back and only used if approached by more than one armed system protector (police). The shield is quite effective as the system protector bullets, as used in a majority of Western European countries (9 mm lead often from MP5 type weapons), cannot penetrate it.

Armour piercing rounds

16 Kozap bullets are the world's hardest 9 mm armour-piercing handgun projectiles. Teflon bullets blast through most Police Vests.

The hard brass bullets cause exceptional wear on handgun barrels, a problem combated by coating the bullets with Teflon. The Teflon coating does nothing to improve penetration; it simply reduced damage to the gun barrel.

Conventional bullets, made primarily from lead, are often ineffective against hard targets especially when fired at handgun velocities.

As for assault rifle ammunition, standard ammo will easily penetrate the most commonly worn protective vests. However, Teflon coated brass bullets are better.

Melee weapon

You should use a normal combat knife and mount a bayonet on your primary weapon (assault weapon). You can also consider getting/building a more advanced defensive device.

There are currently no efficient melee weapons on the market designed for solo urban warfare. A knife will have little value if you are jumped by two individuals, one grabbing your arms and one knocking you down.

A suggestion could be to build and equip razor sharp spikes on your arms (from your wrists up to your elbows). This will transform your arms to a potentially lethal melee weapon and will make it a lot harder for individuals to jump you (or may act as a deterrent). Keep in mind that you have to make the devices small enough so that they do not make your arms "bulky" or in other ways significantly limit your mobility or precision when switching to/equipping or using your primary weapons.

3.32 Armour Phase – KT guide to ballistic armour

Knights Templar's guide to ballistic armour/body armour, sewing including a step-by-step guide to construct "Loki's Armour"

During my early youth while attending Smestad primary school in Oslo, Norway; I remember being forced to complete mandatory knitting and sewing courses. These courses were first implemented in various Western European countries as a result of Marxist revolution which started all the way back in the 1930s but had its climax around 1968. These mandatory knitting and sewing courses were implemented with the goal of deliberately contribute to feminise European boys in their insane quest to attempt to create the Marxist utopia consisting of "true equality between the sexes". I remember I dreaded these courses as it felt very unnatural and was a complete waste of time. In retrospect, however, I am grateful for having received this insight into sewing and stitching as this knowledge is an essential skill when constructing and assembling modern ballistic armour... It is quite ironic and even hilarious when reflecting on the fact that a skill which was intended to feminize European boys can and will in fact be used to re-implement the patriarchy by overthrowing the Western European cultural Marxist/multiculturalist regimes.

The various Conservative Revolutionary Movements in Europe have since WW2 expressed their desire to acquire the knowledge on how to easily construct superior ballistic armour which could rival or even prove to become up to 100% more effective than the armour worn by system protectors/multiculturalist police forces. However, several obstacles have been put in place by the EUSSR authorities making it difficult to purchase the quality goods offered to national police forces and national militaries. When trying to order a military grade vest with collar, arm and groin protectors (DAPS etc) with military grade ESAPI plates you will often find out that you need special permits and that you need to document that you are working for official law enforcement or working for your official national military forces. When I first started my "armour research and acquisition phase" three months ago I found out the hard way that you need special permits to buy military grade armour from EU stores. Certain vests were indeed available but not the vests I wanted. Secondly, I wanted to be very careful and avoid ordering products from my own country as my national intelligence agency can easily check and cross reference purchase orders from the limited number of vendors selling ballistic armour. Secondly, buying from US stores proved to be futile as all ballistic armour is restricted for export. The stores will simply refuse to ship to Europe as they are prohibited by US law.



In any case; the internet truly transformed the market for acquisition of any imaginable product which has resulted in a scenario where ANYONE now has quick and easy access to suppliers worldwide. Yet, the actual step-by-step blueprint on how to construct this armour has been a secret for years or kept within closed networks: until this day...

PCCTS, Knights Templar has created a blueprints and an acquisition list for heavy armour specifically designed for the Conservative Revolutionary Movements in Europe. These mission specific armour systems are especially designed to counter: counter-terrorism

forces/SWAT teams and other types of system protectors of various Western European countries. I will present a step-by-step guide on how to construct this superior armour with a detailed list of specific parts, materials and suppliers.

Operatives of various Conservative Revolutionary Movements in Europe have for a long time had challenges when attempting to order "various armour kits" from established armour suppliers and large internet stores due to the fact that the best armour is reserved for individuals that can provide law enforcement/military documentation. Conservative Revolutionaries have often been limited to worthless level II armour vests, which is only suited to protect against weak 22 caliber rounds.

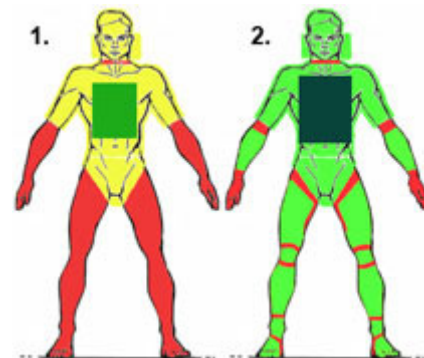
I will now show you exactly how to bypass the restrictions by basically setting up your own little one man-factory with the capability of constructing a superior set of body armour which offers up to 90% frontal coverage (level IIIA to IV protection) and 60-70% backside coverage.

I will present a guide to the medium weight version (15 kg gear all included) and to the heavy weight version (30 kg gear all included), depending on strength, agility and your general physical condition and the mission specific requirement.

I coined the armour "Lokis Armour" from the Norse God of Deception as it's specifically designed to bypass current armour restrictions and to counter; counter-terrorism system protectors working for the multiculturalist regimes.

Creating Lokis Armour System (heavyweight version) – 27 kg

Figure 1 illustrates SWAT armour (Special Weapons and Ammunitions Team) and its vulnerabilities when facing a Justiciar Knight with Lokis Armour (**figure 2**). Red indicate areas on the body with NO protection, yellow indicate vulnerable areas (soft armour is vulnerable to assault rifle fire), light green indicate protected areas (level IIIA with anti trauma protection should be able to withstand limited MP5 fire) while darkgreen indicate safe areas.



This is a guide to acquire/create superior ballistic armour with up to 90% frontal level IIIA to level IV coverage and 60-70% level IIIA to level IV back coverage.

This custom made/designed and partially improvised armour, also known as Lokis Armour consists of various parts (bought from multiple suppliers and brands or created from base materials) which are finally put together to form the best and most superior body armour available today.

- Provides 90% level IIIA ballistic protection frontal coverage, 60-70% back coverage.
- Provides 60% level III ballistic protection frontal coverage, 30% back coverage.
- Provides 40% level IV ballistic protection frontal coverage, 30% back coverage.

Note, to dramatically decrease weight and create a light weight version of Lokis armour just ignore the chest rig with the 4 ESAPI plates (total weight of 13 kg). By doing this, your armour (lightweight version of Lokis armour) will weigh 14 kg. If you are going for the lightweight version you should seriously consider using your Damascus FX1, Flexforce chestpiece (take of the hard shells though) to provide anti-blunt trauma protection (in which case you must buy a vest in size XL or higher so that you can fit the FX1 chest piece under your vest.

If you are unable to buy military grade armour kits, like I was, then I would highly recommend choosing the strategy I chose. Simply buy a military grade vest with as much level IIIA coverage as possible like the IDF official vest.

Lokis Armour - Weight: 27 kg

Cost for a complete set of Lokis Armour: 6000 Euro (various parts, suppliers)

Labour hours required (sewing/stitching, cutting, colouring/dying etc): 40 hours

Labour hours required in relation to acquisition of parts (waiting, researching, ordering, 5-10 different suppliers): 1-4 months

Strengths: Level IIIA protection offers superior ballistic protection from handgun 9 mm rounds while level IV ESAPI plates offer protection from military grade armour piercing rounds (including 7.62/5.56 high velocity rounds.)

Weaknesses: heavy gear, impairs mobility (running)

Time it takes to equip armour: 30 minutes without assistance, 10 minutes with assistance

Western European system protector (SWAT) armour coverage:

Provides 40% level IIIA ballistic protection frontal coverage, 40% back coverage.

Provides 25% level III ballistic protection frontal coverage, 25% back coverage.

Average SWAT armour - Weight: 9 kg

Cost: 2000 Euro (one supplier)

Labour hours required (sewing, cutting, colouring/dying etc): 0 hours

Labour hours required in relation to acquisition of parts (waiting, researching, ordering, 5-10 different suppliers): 0

Strengths: moderate ballistic protection from from handgun 9 mm rounds. Inferior to AP rounds or 7.62/5.56 high velocity rounds.

Weaknesses: medium weight, impairs running somewhat

Time it takes to equip armour: 5-10 minutes

Physical requirements to wear Lokis Armour: Average male weight + 5-7 kg lean muscle mass, toned in relation to agility for wearing heavy armour. The wearer must train for the mission specific goal, fast walk/march with heavy armour for at least two hours).

Gear weight for a Justiciar Knight

Base layers

(Not included) Base layers – Skins™ complete 2 part suit, socks, gloves, boxer: 0,6 kg
(Not included) Boots: 2 kg

Total: 2,6 kg

Pouches w. content:

Camelbak 1,5L pouch with water: 1,6 kg
Gas mask pouch w. mask: 0,5 kg
Medic pouch w. content: 0,5 kg
AEE P80 digital action camera 4 GB + phone: 0,15 kg
Knife w. holster: 0,3 kg

Total: 3,05 kg

Weapons and ammo

4 splint grenades: 2 kg
3 smoke grenades: 1 kg
Assault rifle with sights + etc (no ammo): 4 kg
Pistol with sight + (no ammo): 1 kg
7 x 28 round banana clips: 0,9 kg x 7 = 6,3 kg
4 x 28 round pistol clips: 0,81 kg x 4 = 3,24 kg

Total: 17,54

Armour and armour pouches

Layer 1 armour

IIIA helmet with IIIA visor: 3 kg
Trauma/shock resistance: FlexForce Modular Hard Shell FX-1: 3-4 kg
(Comment: you can't rely on soft armour alone (IIIA Kevlar without any trauma/shock res) or you risk dying from internal bleeding caused by the blunt force trauma when being hit)

Layer 2 (worn on the FX-1)

Vest (Israeli – IDF, Israeli-weapons.com): 5 kg
DAPs (US – Interceptor, Ebay): 2,26 kg
Throat protector (German, Ebay): 0,3 kg
Groin protector x 2 (US brand, Ebay + site): 1,2 kg
Custom Tailored Armour Pieces

- Waist armour (between vest and leg armour, armour applied on top of a hip pad fastened with a belt)
- Upper Leg Armour
- Shin Armour (Lower Leg Armour)

- Knee pad armour
- Lower arm armour
- Boot Armour (Bell shaped + extra pad on front)

Total weight: 3 kg

The above armour pieces are created by using flexible level IIIA ballistic composite plates fastened with nylon straps with various fastening items and additional velcro (hook & loop adhesive strips)

Layer 3 (worn on the vest)

Molle rig with ESAPI pouches: 2 kg

ESAPI level IV, XL plates (Size: 28 x 35,6 cm, 3,25 kg x 2): 6,5 kg

ESBI level IV plates (2 x side plates, 15 x 20 cm): 2 kg

Layer 4 (shield)

Small size riot shield with glued IIIA composite panel (2 x ballistic composite panels: 5 kg

Total: 34 kg

Total weight of max gear: 57 kg (125 pounds)

Note: the ideal weight of march gear is 15 kg and should normally never exceed 30 kg. Obviously, for a majority of phase 1 operations we rely on mobility and speed and should never exceed 30 kg. On certain more "static" missions however, more armour should be considered.

Complete Lokis Armour is heavy indeed but don't forget that as a Justiciar Knight you have trained for months for one single mission. In addition a Justiciar Knight should always be in the middle of a steroid cycle and take an ECA stack capsule 20 minutes prior to the initiation of the mission (ephedrine, caffeine, aspirin stack) which increases our strength and agility by 50-100% for 2 hours. A Justiciar Knight is thus better prepared than even the most hardcore SWAT operator in a majority of ways.

- We select the battleground
- We select the time of the battle
- We have the element of surprise
- We have superior armour
- We have superior weaponry
- We are more motivated
- We are prepared to die in order to complete the operation

No system protector has a chance, at short notice, to match these odds.

However, Lokis Armour alone is still limited at best. You can defeat small flanks of 1-3 system protectors. Nevertheless, keep in mind that you have to avoid being

overwhelmed at all costs. Lokis Armour is ONLY superior when combined with high mobility. If you allow the system protectors to deploy snipers or send in a SWAT squad of more than 4 you will have little chance to survive the encounter so stay on the move and focus on meeting your time table. As long as you follow your time table to the second, the system protectors will not have time to deploy snipers or a SWAT team to stop you (organizing a SWAT team will take up to 30 minutes depending on various factors), thus you will only have to worry about "low threat system protectors".

Always remember:

- We are stronger and more agile due to biological enhancers
- We have better and more powerful weapons (they are often limited to MP5)
- We have better and more powerful ammunition (they use lead, we use AP)
- We have superior armour
- We have better morale and are more motivated to achieve our objective (we are fighting to prevent the genocide of Europeans and of European culture (through multiculturalism coupled with Islamic demographic warfare), while they are "protecting a rotten, non-sustainable Marxist system. They are thus in fact protecting the Islamic colonisation of Western Europe and its traitorous category A and B facilitators".

Terminology:

ESAPI = Enhanced Small Arms Protective Inserts (frontal/back ceramic plates)

ESBI = Enhanced Side Ballistic Inserts (side ceramic plates)

DAPs = Deltoid and Axillary Protectors (deltoid=biceps/arm, axillary=under arm/arm pit).

Know your limits - How much can a soldier carry?

7 days march: With ammo, rations, and water, each soldier carried well over 45 kg of gear. After seven days of constant operations, the effects of that weight are showing. Even the fittest of the platoon are hollow-eyed with fatigue. Physical training reduces that rate, but does not eliminate it. Carrying too much weight accelerates exhaustion.

Observation: The average rifle platoon soldier's load is 41 kg. Cold weather platoon average is 46 kg.

Typically, each soldier is wearing or carrying at least load-bearing equipment (LBE), Kevlar helmet, weapon, and rucksack or assault pack. This average does not include battle dress uniforms (BDUs), T-shirts, socks, underwear, and boots.

The average warm weather soldier's load is 40 kg. During the summer months, the soldier's load is more manageable. The need for "Hawk gear" (often 9 kg) goes away. However, much of that reduction is offset by the need to carry more water. As much as 75 percent of soldiers carry "camel-bak" water pouches in addition to their canteens. Once again, BDUs, T-shirts, socks, underwear, and boots are not included in these weights.

Why do leaders and soldiers consistently overload themselves?

That's a very good question and it has hampered light infantry operations for years. Load-bearing equipment, designed as a combat harness, goes back for hundreds of years. Everything else; packs, rucksacks, and extra water -- is by definition comfort items added on top of the combat load. **Those comfort items may make a soldier**

comfortably dead if he is too tired to function. Two of the biggest factors relating to soldier's load are:

1. Tailoring the load to the mission.
2. Soldier confidence in the logistical system.

Tailoring the load for a Justiciar Knight

Most people have seen the movie *Platoon*, where the squad leader in Vietnam reached into new guy Charlie Sheen's rucksack and dumped unnecessary equipment. Justiciar Knights need to do the same thing: performing good pre-combat inspections (PCIs). The packing list should be tailored to the mission at hand, with all the extras and "nice-to-have" items eliminated.

Determining a Justiciar Knight's load is a critical task. The Knight cannot afford to carry unnecessary equipment into the battle. Every contingency cannot be covered. **The primary consideration is not how much a soldier can carry, but how much he can carry without impaired combat effectiveness.**

The official military manual states that the soldier's combat load should not exceed 27 kg. That limit combines the fighting load -- LBE, kevlar, weapon, and magazines with ammo weighing about 17 kg -- and the approach march load rucksack and selected items at 10 kg. The remaining equipment and materials needed for a sustained combat operation must be placed in forward caches prior to the mission at pre-defined locations.

The bottom line: A Justiciar Knight needs a packing list that makes sense.

Carry what is required for mission accomplishment, but allow a minimum of comfort items. There are four configurations with this type of packing list and load:

- Fighting load - Only what is worn = 17 kg
- Fighting light - Worn plus the assault pack = 27 kg
- Approach march - Worn plus the rucksack = 33 kg
- Everything - Worn plus the rucksack and assault pack = 43 kg

Largest threat when overloading: heat injury and fatigue.

Conclusion: Common sense IS NOT commonly used! Be uncommon and use yours!

Consider the risk versus gain aspects of combat loading. If you are being overloaded and you collapse from the weight of comfort items, you may not even reach the objective. By overloading yourself with comfort-related items, you are in effect expending yourself before you have the opportunity to achieve the mission.

For Canadian infantry in Afghanistan the average weight is 50 kg including mission-specific equipment

Current average load numbers are 10% higher compared to WW2 statistics where a BAR Gunner carried 45 kg while the average rifleman carried 37 kg.

A fighting load is everything worn or carried except a rucksack and should be held to less than 22 kg, according to official manual for foot marches. The next level, approach march

load, adds a light rucksack and should not exceed 32 kg. In the worst-case scenario, emergency approach march loads require a larger rucksack, raising the total weight to 54-67 kg.

How much ammo does a soldier bring to a battle?

He should bring a total of two ammo pouches with room for 6 banana clips and one in his rifle so a total of 7 banana clips. In addition he should bring 4 clips for his pistol. Some carry more; 8 mags for the assault rifle and 4 pistol mags. Grenades: 4 smoke/splint/flash are included in addition.

Many Afghanistan riflemen carries 7-10 magazines depending on the mission.

A Justiciar Knights introduction to ballistic armour

Quality mil spec armour with multi hit capabilities is just as important as weapons to a Justiciar Knight. If you lack armour you may be neutralized with a single bullet as the blunt trauma caused by the bullet mushrooming inside of you is likely to literally paralyze even the most athletic body. Still, conservative revolutionaries – urban guerillas continue to ignore the armour aspects of warfare. Based on the nature of your operation, you may need to use mil spec overt (visible) armour while on other missions, where mobility is crucial, covert (hidden) or no armour at all is the preferred approach. As a general rule, you should not wear more than 30 kg of armour at any given time as the weight will severely prevent you from moving properly. However, if you train hard and use a suitable steroid cycle with the intention to wear up to 30 kg of armour, covering 80-90% of your frontal body, you will learn that superior body armour has its benefits and may often outweigh the mobility issues for certain operations.

A ballistic item, often referred to as a bullet proof or bullet resistant item, is usually an item of protective clothing that absorbs the impact from firearm projectiles and shrapnel fragments from explosions. This protection is usually worn for the upper body but can be applied anywhere for protection. There are two primary types of armour: soft items (usually Kevlar fabric) and hard items (often ceramic/steel plates). Soft items are usually constructed by placing several layers of ballistic Kevlar fabric on top of each other which is then sewn inside a "soft pouch" made from a thin/ultra low weight layer of nylon ripstop, polyester, cotton or a similar material. This pouch is placed in an outer shell pouch which is often constructed from tougher mil spec cordura nylon or similar fabrics (500-1000 denier nylon, mil spec). The more layers applied the better protection is offered but more layers will obviously increase the weight of the item. All armour above level IIIA is made from hard armour: ceramic, steel or dyneema plates etc. The reasoning for this is the following; while soft armour will stop most handgun bullets from entering your body, the blunt trauma caused by even higher calibers when hit is likely to cause massive damage to your body (think of it as being hit by a big sledge hammer) which may cause internal bleeding subsequent death. As such; hard armour can and should be worn in combination with soft armour to increase protection. Soft/hard armour combo is now common for international forces in Afghanistan and elsewhere and is often used by SWAT operators in most Western countries.

Using composite armour in combination with soft armour

Certain companies offer a flexible composite material which is normally used for applying ballistic properties in car doors and alternative stationary sources in need of ballistic

protection. However, you may use these flexible plates in combination with conventional armour systems which often only covers the torso and often ignores the lower arm, upper legs, knees, shins and boots. One option of using this material is to basically cut the composite plate (0,7 cm thick) in the desired shape and place them in the pouch you have sewn (2 knee pouches, 2 shin pouches, 2 upper leg pouches, 2 boot pouches and 2 lower arm pouches). You then apply either adhesive (or sew) hook & loop (Velcro) on each piece in order to properly fasten/equip each piece to your body. Alternatively, additional Velcro or nylon straps may be applied in order to attach each piece to other parts of your armour to create a complete armour system which covers up to 95% of your frontal body and up to 75% of your back. Obviously, I have not been able to field test this system which I refer to as Lokis Armour, although it is now completed. Lokis Armour set is basically a "Frankenstein-set" created from various armour systems. Certain pieces needed some adjustment by adding additional hook-loop adhesive strips in order to properly attach to other modules. For example; the IDF armour doesn't fit in combination to Interceptor parts, which again doesn't fit with the Point Blank parts etc. But with nylon straps, hook & loop bands, a few fastening items and some crazy sewing skills, everything is possible:-)

In order to maximize the effectiveness of soft armour, trauma plates may be added which will mitigate the blunt force (blunt trauma) of the projectile. Soft armour may be worn on top of a modern riot suit (constructed to resist blunt trauma) in order to increase the effectiveness and prevent damage caused by blunt trauma. I would highly recommend the FlexForce FX1 riot suit from Damascus in this regard as it is compact enough to fit under soft body armour, yet holds the anti-trauma qualities required to withstand multiple hits when worn in combination with soft and hard armour. I have not had the chance to field test this option though (nor have I seen any reports confirming my theory) but theoretically it should offer excellent protection when worn together.

Blunt trauma suits are rarely used by military or SWAT forces in combination with their ballistic armour as the suits are relatively bulky and heavy (around 4-7 kg). Very few people have the required strength and agility to wear a full blunt trauma suit (riot suit), soft armour and hard armour – in addition to conventional tactical gear, weapons etc. Nevertheless, Justiciar Knights may prove to become that exception as we are 40-100% stronger providing we take full advantage of the steroid cycle and ECA stack combination during our operation. For this purpose, it is essential that all Justiciar Knights adjust their training sessions to build up experience for wearing this equipment and take appropriate measures to simulate 1-2 hour "fitness walks/march walks". These march walks will include up to 30-40 kg load which is the total weight of the described Lokis Armour, weapons, ammo and other equipment).

Damascus FX-1 Flexforce, anti-blunt-trauma suit (worn under armour (not chest piece + upper arm))



Armour level - lowest to highest

Level IIA (poor - soft armour)

9 mm FMJ RN slow velocity
.22 LR
.25 ACP / 6.35mm Browning
.32 ACP/ 7.65mm Browning
.38 ACP
.40 S&W FMJ
.45 ACP
12 ga. 00 Buck (shotgun)

This armour protects against 9 mm FMJ RN (Full Metal Jacketed Round Nose) bullets, with nominal masses of 8.0 g (124 gr) at a reference velocity of 355 ± 9.1 m/s (1165 ± 30 ft/s) and .40 S&W FMJ (Full Metal Jacketed) bullets, with nominal masses of 11.7 g (180 gr) at a reference velocity of 325 ± 9.1 m/s (1065 ± 30 ft/s).

It also provides protection against 12 gauge shotgun buckshot (9 pellet) and birdshot.

Level II (poor - soft armour)

Typical 9 mm FMJ RN
.357 Magnum JSP

This armour protects against 9 mm FMJ RN (Full Metal Jacketed Round Nose) bullets, with nominal masses of 8.0 g (124 gr) at a reference velocity of 379 ± 9.1 m/s (1245 ± 30 ft/s) and .357 Magnum JSP (Jacketed Soft Point) bullets, with nominal masses of 10.2 g (158 gr) at a reference velocity of 408 ± 9.1 m/s (1340 ± 30 ft/s).

It also provides protection against threats mentioned in [Type IIA].

Level IIIA (standard – soft armour)

.357 SIG FMJ FN
.44 Magnum SJHP
12 ga. rifled slug (shotgun)

Offers resistance against most handgun threats

This armour protects against .357 SIG FMJ FN (Full Metal Jacketed Flat Nose) bullets, with nominal masses of 8.1 g (125 gr) at a reference velocity of 430 ± 9.1 m/s (1410 ± 30 ft/s) and .44 Magnum SJHP (Semi Jacketed Hollow Point) bullets, with nominal masses of 15.6 g (240 gr) at a reference velocity of 408 ± 9.1 m/s (1340 ± 30 ft/s).

It also provides protection against 12 gauge rifled slug, as well as the threats mentioned in [Types IIA, and II].

Level III with Ballistic Plates (hard armour)

7.62 mm FMJ
.30 carbine
.223 remington / 5.56 mm FMJ
Grenade shrapnel

Against high-powered rifles

This armour protects against 7.62 mm FMJ (Full Metal Jacketed) bullets (U.S. Military designation M80), with nominal masses of 9.6 g (148 gr) at a reference velocity of 847 ± 9.1 m/s (2780 ± 30 ft/s).

It also provides protection against threats such as 5.56 mm FMJ, .223 Remington, .30 carbine FMJ and grenade shrapnel, as well as the threats mentioned in [Types IIA, II, and IIIA].

Level IV with Ballistic Plates (hard armour)

.30 caliber AP

Against armour piercing rifles

This armour protects against .30 caliber AP (armour piercing) bullets (U.S. Military designation M2 AP), with nominal masses of 10.8 g (166 gr) at a reference velocity of 878 ± 9.1 m/s (2880 ± 30 ft/s). It also provides at least single hit protection against the threats mentioned in [Types IIA, II, IIIA, and III].

Creating level IIIA soft armour

How many layers of Kevlar does a level IIIA item have?

II consists of around 20 THIN layers of Kevlar fabric (8-10 THICK layers)

IIIA consists of around 30-35 THIN layers of Kevlar fabric (12-15 THICK layers)

Creating/acquiring Lokis Armour

Component/parts:

Ballistic Helmet with visor (NOT possible to create, try to buy from supplier)

Ballistic Vest (should NOT be created, buy from bodyarmour supplier)

Ballistic Neck Protector (can be easily created)

Ballistic Deltoid Protectors (can be easily created)

Ballistic Axillary Protector (can be easily created)

Ballistic Lower Arm Protector (can be easily created)

Ballistic Groin Protector (can be easily created)

Ballistic Hip/butt Protector (can be easily created)

Ballistic Upper Leg Protector (can be easily created)

Ballistic Shin/knee Protector (can be easily created)

Ballistic Boot Protector (can be easily created)

Ballistic Shield (can be easily created)

Requirements:

- Kevlar fabric, 10 sq. meters
- Flexible ballistic composite panel (approx 120 x 120 cm)
- Nylon straps (2,5 and 5 cm)
- Adhesive hook and loop straps (Velcro, 2 and 4 cm)

- "Cordura" nylon fabric or similar (at least 3 sq. meters)
- Various closing devices/pre-made straps etc. (see ahh.biz for selection).
- Needles/hand held sewing device/thread etc. (see ahh.biz for selection).
- Damascus FX-1 Flexforce riot gear (you will need at least the leg, hip and lower arm pieces). You may disregard the rest of the modules including the item covering the boot.

Part 1 - Ballistic vest with level IIIA soft armour

Soft armour: kevlar or similar fabric

Difficulty level to create: HARD (it is suggested that you buy this item)

A ballistic vest comes in many shapes and forms. Some are created for covert (concealed) use, others for overt (visible) use. Obviously, overt ballistic armour is created for "certain" confrontation where you do not care if others identify the fact that you are wearing armour, while covert armour is worn when it is essential to hide the fact that you are wearing armour, for tactical reasons.

In any case, a solid level IIIA vest is and will be the backbone of your "armour system".

Search words: ballistic vest, bullet resistant vest, bullet proof vest, tactical vest, assault vest)

Suppliers: European-, US-, Israeli- or Chinese companies.

Restrictions: certain countries have implemented restrictions relating to ownership of armour such as Italy and Australia (and the US for convicted criminals). It is likely that several countries will implement bans on the ownership of armour in the future in an effort to halt conservative freedom fighters or Islamic terrorists. However, you can still buy or import suitable covert or military grade ballistic vest in more or less all European countries.

How to create a military grade ballistic vest - requirement: level IIIA soft armour (30-34 thin layers of Kevlar fabric sewn in an internal pocket (or 12-15 thick Kevlar layers), which is then put inside the exterior cordura nylon "shell/pouch") with pockets for level III to IV SAPI/ESAPI plates – size M to XL and optimally two side pockets for ESBI plates (side plates 10 x 15 cm usually). I would not recommend creating your own military grade ballistic vest due to the fact that they are readily available with few restrictions. However, I will include a schematic on how to cut Kevlar, and which cutting form you can use. I prefer vests with maximum coverage surface and which contains extra Kevlar layers (34+) so I ended up buying the IDF vest which offers excellent coverage. It even adds coverage for neck, axillary (arm pit) and offers extra protection above your frontal ESAPI plate. The weight is 4,5 kg. I added an extra modular plate carrier (2 frontal and 2 for side) with attachments for molle/modular pouches.

Part 2 - Ballistic vest – Armour plates (2 ESAPI plates, front back, 2 side plates)

Hard armour

Difficulty level to create: HARD (it is suggested that you buy this item)

Coverage area: covers your most essential inner organs and the most likely place to be targeted. The Small Arms Protective Insert (SAPI) is a ceramic plate fielded by the US military. It was first used in the Interceptor body armor, a ballistic vest. It is now also used in the Improved Outer Tactical Vest as well as the Modular Tactical Vest, in addition to commercially available "plate carriers". The kevlar Interceptor vest itself is designed to stop projectiles up to and including 9x19mm Parabellum submachine gun rounds, in

addition to fragmentation. To protect against higher velocity rifle rounds, SAPI plates are needed.

Armour plates are always hard plates made from either hardened steel, ceramic or the newer and lighter dyneema plates.

Sizes and weights

SAPI plates meant for body armor come in front and back plates which are identical and smaller side plates. The front and back plates come in five sizes. Their dimensions are the following:

Front and back **SAPI** plates:

- * Extra Small - 1.27 kg (2.8 lb) | 184 x 292 mm (7¼ x 11½ in)
- * Small - 1.59 kg (3.5 lb) | 222 x 298 mm (8¾ x 11¾ in)
- * Medium - 1.82 kg (4.0 lb) | 241 x 318 mm (9½ x 12½ in)
- * Large - 2.09 kg (4.6 lb) | 260 x 337 mm (10⅛ x 13¼ in)
- * Extra Large 2.40 kg (5.3 lb) | 280 x 356 mm (11 x 14 in)

ESAPI plates are the same size but slightly greater in weight.

- * Extra Small - 1.70 kg (3.75 lb)
- * Small - 2.08 kg (4.60 lb)
- * Medium - 2.50 kg (5.50 lb)
- * Large - 2.85 kg (6.30 lb)
- * Extra Large - 3.25 kg (7.20 lb)

Torso side plates are as follows:

- * 1 kg (2.3 lb) | 150 x 200 mm (6 x 8 in)

Materials and capabilities

The standard plate for the Interceptor body armor is made of boron carbide or silicon carbide ceramic. New ESAPI plates are also made of boron carbide. A SAPI is able to stop up to three rifle bullets of a caliber up to 7.62x51mm NATO M80 ball and of a muzzle velocity up to 2,750 ft/s (840 m/s). The ceramic plate is backed with a shield made of Spectra, a material up to 40% stronger than Kevlar.

The standard plates are rated as NIJ III when used alone and NIJ IV when backed by the soft armor of the OTV.

Physics

The mechanism of effect lies in absorbing and dissipating the projectile's kinetic energy in local shattering of the ceramic plate and blunting the bullet material on the hard ceramic. The Spectra backing then spreads the energy of the impact to larger area and stops the fragments, preventing injury to the wearer.

The same principle is used for the ceramic tiles used for the armored cockpits of some military airplanes, and the anti-spallation liners used in modern armored personnel carriers.

How to acquire SAPI/ESAPI plates

I would not recommend creating your own ESAPI plates unless you have access to hardened steel plates. Forget about ordering armour from US companies as all US companies have strict export restrictions even to other NATO countries. Your best bet of acquiring ESAPI plates are purchasing them from European, Israeli or Chinese companies. They are readily available online as they are considered "legal armour components" and not "illegal military grade armour". Alternatively, you may have a US friend buy them for you or travel to the US yourself, use a proxy buyer and physically smuggle them to Europe yourself. You will get a fine if caught but nothing more as far as I know. So, what type of material do you go for? Steel is obviously the heaviest of materials but is superior when it comes to multi-hit capabilities. The newer generation SAPI ceramic is also a good alternative although it is difficult to acquire ESAPI plates especially in size XL. I was "lucky" and managed to order mine of Ebay (in despite of the Ebay ban on mil spec body armour) after only 2 months of monitoring. Ebay is not the best place to look as it is mostly civilian body armour available. But now and then, some inexperienced sellers simply make a mistake and list high grade mil spec armour and some times, Ebay is unable to stop the auction in time, which allows you to "swoop in and pick it up" with a winning bid. I finally managed to buy 2000 USD worth of plates, ESAPI XL level IV and a similar set of ESBI (side plates) for only 600 Euro after monitoring Ebay closely for 3 months! Luck favours the dedicated and patient so never give up!;) My armour acquisition phase lasted 3-4 months and it took time to learn the proper search words and techniques in order to successfully locate the right suppliers. I'll share my suppliers in another chapter.

Source:

http://en.wikipedia.org/wiki/Small_Arms_Protective_Insert

Part 3 - Ballistic helmet level IIIA with ballistic level IIIA visor (face shield)

Hard armour: composite helmet + visor; the visor is made of 2-3 cm thick polycarbonate plastic (may also be known under the brand name; lexan).

Difficulty level to create: HARD (it is suggested that you buy this item)

Coverage area: head and face. This will be the hardest component of your armour system to acquire (not the helmet but the visor). Several European suppliers sell it but it is more or less always limited to law enforcement agencies or the military. European suppliers will usually ask for various documentation showing that you are a police officer. I managed to order one of these helmets from an Israeli company.

It is more or less impossible for you to create a ballistic visor so start looking for those suppliers.

Search terms: ballistic visor (visor), ballistic face shield, ballistic helmet, bullet proof helmet, bullet resistant helmet, bullet proof visor, bullet proof face shield

Part 4 - Ballistic Deltoid Protectors (1 of 2 pieces of the DAPS system)

Soft armour: layers of Kevlar or similar fabric

Difficulty level to create: EASY (it is suggested that you create these as they are relatively hard to acquire on the open market)

These two pieces protect your deltoids (upper arms) and are attached to your vest. I managed to buy two from an American Ebay seller which mistakenly listed them for international sale. In any case; "deltoid protector pouches", without the soft armour

inserts (34 layers of Kevlar fabric) is readily available which makes creating these a simple task. Simply buy enough ballistic Kevlar fabric, strong Kevlar fabric scissors and start cutting. When done with the 34 (15) layers, insert them in the interior pouch, which then is inserted in the exterior pouch which is made from the harder 500-1000 denimer cordura nylon fabric. If you are unable to order these premade exterior pouches (without the actual soft armour inserts) you can still sew your own. Just order mil spec cordura nylon (or any tough nylon fabric) from any supplier and start sewing. You will need nylon straps with hook and loop material (Velcro). Sew the hook and loop material on to the nylon strap, which then allows you to properly use the deltoid protectors. Also, see my illustration/blue print and measurements.

Search terms: DAPS, deltoid protector, ballistic arm protector etc.

Aproximate cost: 60-120 Euro

Hours of labour required: 7 full hours of cutting/sewing/dying (not including time it takes to order Kevlar fabric and other material)

Part 5 – Ballistic Axillary Protectors (2 of 2 pieces of the DAPS system)

Soft armour: layers of Kevlar or similar fabric

Difficulty level to create: EASY (it is suggested that you create these as they are relatively hard to acquire on the open market)

Coverage area: From your side ESBI plates up to your armpit. As with part 1; these are hard to acquire, but very easy to create. Simply follow the above steps and use the axillary illustration/blue print and measurements. Also, depending on your vest, you don't necessarily need additional axillary protectors. A majority of vests however offer little protection in the armpit area above your ESBI plates.

Aproximate cost: 60-120 Euro

Hours of labour required: 7 full hours of cutting/sewing/dying (not including time it takes to order Kevlar fabric and other material)

Part 6 – Ballistic Groin protector

Soft or hard armour: layers of Kevlar or similar fabric, can also be made from flexible kevlar composite plates (level IIIA)

Difficulty level to create: EASY (it is suggested that you create these as they are relatively hard to acquire on the open market)

Coverage area: lower stomach and groin, below your vest. As with the DAPs, these are hard to acquire, but very easy to create. Simply follow the above steps and use the groin illustration/blue print and measurements.

Aproximate cost: 60-120 Euro

Hours of labour required: 4 full hours of cutting/sewing/dying (not including the time it takes to order Kevlar fabric and other material)

Part 4 – Ballistic Neck protector

Soft/hard armour: layers of Kevlar or similar fabric, can also be made from flexible kevlar composite plates (level IIIA)

Difficulty level to create: EASY (it is suggested that you create these as they are relatively hard to acquire on the open market)

Coverage area: neck – front/back. Some vests like the IDF vest has a neck protector already implemented in the system while many European and US vests, especially civilian vests lack a neck protector or is based on a modular system where a neck protector comes as a modular piece and attaches with hook/loop or buttons. As with the DAPS and the groin protector, these are hard to acquire for “civilians”, but very easy to create. Simply follow the above steps and use the neck illustration/blue print and measurements.

Aproximate cost: 30-80 Euro

Hours of labour required: 4 full hours of cutting/sewing/dying (not including time it takes to order Kevlar fabric and other material)

Part 5 - Ballistic Leg Protectors (3 pieces: 1: upper leg, 2: knee and shin, 3: boot)

Hard/soft armour: upper leg plates and shin plates should be made from flexible kevlar composite plates (lvl IIIA) and applied on top of your Damascus FX1 – Flexforce plastic plates (see blueprint). The knee and boot protectors should be made from Kevlar fabric (14-35 layers depending on thick or thin Kevlar)

Requirement: Damascus FX1 – Flexforce (riot gear to provide blunt trauma protection and a base/fundament for applying these parts)

Difficulty level to create: EASY (it is suggested that you create these as they are not possible to acquire on the open market. Please see my prototype blueprints).

Coverage area: includes upper leg protector, knee protector, shin protector (lower leg) and boot protector.

There are currently no available Ballistic Leg Protectors on the market, neither for military personnel nor for civilian use. As a result, I have designed blueprints for make-it-yourself modular Ballistic Leg Protectors covering the upper leg, knee, shin and boot.

What you should do is to buy a complete riot suit, preferably the Damascus FX-1 FlexForce and use some of the pieces as a body armour (anti- blunt trauma) base. You then basically do one of two things:

Alternative 1: Buy flexible ballistic panels (level IIIA), readily available at certain suppliers and cut pieces out of the panels the same size as the hard plastic on the riot suits. You can either apply/glue hook/loop material on the plastic hard shells and simply apply the flexible panels on to these shells.

Alternative 2: You can sew pouches the same size as the plastic hard shells and apply the pouches with either hook/loop/Velcro material and/or nylon straps with hook/loop/Velcro material. You insert interior pouches into these outer pouches containing Kevlar inserts (consisting of 34 (15) layers of ballistic Kevlar fabric).

Follow the same principle on all the modular pieces (1: upper leg, 2: knee and shin, 3: boot). I decided to use the flexible ballistic panels for the upper leg and shin, while using Kevlar on the knee pad and boot.

Aproximate cost for all modular pieces: 700-1700 Euro (a large flexible ballistic panel, level IIIA costs 700 USD, 1 yard of ballistic Kevlar fabric costs 35 USD (1050 for 30 layers x 1 yard, although you get considerable rebates when buying that much, and an even bigger discount if you purchase a full roll of ballistic Kevlar fabric). I chose to buy fabric from a US company instead of a European or Chinese one btw. A Damascus FX-1 FlexForce riot gear costs 500 USD. See my suppliers for more info.

Hours of labour required: 10-15 (not including time it takes to order Kevlar fabric and other material)

Part 6 – Ballistic Arm Protectors

Hard armour: these consists of two parts for each arm and can be made from flexible kevlar composite plates (lvl IIIA) and applied on top of your Damascus FX1 – Flexforce lower arm protectors (see blueprint and remember to remove the hard elbow and large plastic layer/shell as they are too bulky).

Requirement: Damascus FX1 – Flexforce (riot gear to provide blunt trauma protection and a base/fundament for applying these parts)

Difficulty level to create: EASY (it is suggested that you create these as they are not possible to acquire on the open market. Please see my prototype blueprints).

Coverage area: from wrist to elbow.

Use the arm piece from your Damascus FX-1 FlexForce riot gear and simply apply the pieces of flexible Kevlar composite as referred to on the blueprint. This must be secured using hook/loop and nylon straps.

Aproximate cost: 30-50 Euro (if you have already paid for a riot gear system and other materials).

Hours of labour required: 7

Part 7 – Ballistic shield (level III)

Hard armour: these consist of two kevlar composite panels, one piece of polycarbonate plate (5 mm thick) and is basically screwed together using 8 screws.

Requirement: ballistic composite panel (2 pieces - 40 x 55 cm or whichever size you desire + 1 piece of polycarbonate (plexiglass) in the same size)

Difficulty level to create: EASY (it is suggested that you create this item as they are very hard to acquire on the open market. The ones available are quite heavy and very expensive. The weight should not surpass 5 kg for a level III shield with multihit capabilities.

Some ballistic shields are for sale to law enforcement officers/organisations. Unfortunately, they are very strict and require documentation that you are an official "system protector".

These shields vary in weight but you can get them from 7-30 kg. They are quite expensive and the most inexpensive item I was able to locate (weighing 7 kg) costs 800 USD.

Fortunately for us, it is quite easy to create a suitable, low weight ballistic shield. Simply use a part of the flexible ballistic composite plates/panel you ordered (level IIIA) and cut the material in the appropriate size. I chose 55 cm x 40 cm so it would fit my armour cache (Pelican 1620 case) which I am soon going to dig down together with all my other armour before I start my "weapon acquirement phase".

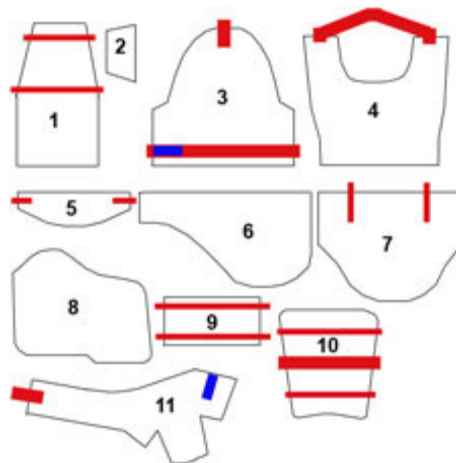
When you have cut the 2 plates/panels (40x55 cm) and ordered your 5 mm polycarbonate (PVC) plate from your nearest plastic-composite-supplier simply drill holes

and screw the three plates together with your polycarbonate plate toward you. Create three nylon straps (2 pieces of 1 inch - 2 layers of nylon straps sewn together (28 cm) and one piece of 2 inch - 2 layers sewn together (35 cm). See blueprint template. You then apply the straps on the screws on the backside of the shield and fasten with matrixes. Two of the straps will be placed so that it will fit your arm while the last strap will be placed on the lower right to work as a support strap/handle. You can also apply a padded carrying strap so that you can hang the shield on your back while on the move. Use adhesive hook and loop material on the front side to apply insignias etc. and use a black, spirit based permanent marker for the metal colored screws and other inconsistencies in color (shield should be black like all other armour).

Congratulations, you now have a descent and lightweight ballistic shield (level III, 4 kg) with multi-hit capabilities for less than 100 Euro (50 Euro for polycarbonate plate, 15 Euro for carrying strap, 10 Euro for screws/matrixes. Not counting the 700 USD cost for the original ballistic panel and the fees for the nylon straps). You may also apply razor sharp objects on it to act as a deterrent or emblems according to your specific mission.

End note: I tried cutting the ballistic panel (into 11 pieces for the various armour pieces) with my electric jig saw. My saw is of poor quality so I had to go to a work shop (furniture cutter) to have it cut properly. This service cost 80 Euro. Be careful doing this as the cutting patterns would indicate that you are creating ballistic armour pieces. In retrospect, I found out that I could cut the ballistic panel by applying pressure and using sawing motions with very sharp objects.

Soft/hard armour blueprints



1. and 2. Ballistic Lower Arm Protector

Number of pieces: 2 large, 2 small for both lower arms

Armour material: hard – flexible ballistic composite panel

Pouch used: no

Fastening mechanism: fastened on top of Damascus FX-1, Flexforce anti-blunt-trauma suit, lower arm piece with 1 out of 3 hard plastic shells. Fastened with 2; 2 cm nylon straps with female/male fastening clips and adhesive hook/loop straps in addition to the two existing straps provided by the FX-1.

Size of armour fabric/material - "W" measuring widest possible position, "H" measuring highest possible position: **1:** W: 19 cm, H: 34 cm, **2:** W: 10 cm, H: 17 cm

3. Ballistic Deltoid Protectors

Number of pieces: 2

Armour material: soft - 14 thick or 34 thin layers of Kevlar

Pouch used: yes

Fastening mechanism: Fastened with 1; 4 cm, upper nylon straps (fastened to vest), on lower side fastened around arm with 4 cm nylon strap with hook/loop strap. It is possible to buy these pouches (no soft armour inserts from the US, try ebay etc.)

Size of armour fabric/material - W: 33 cm, H: 31 cm

4. Ballistic Axillary Protector

Number of pieces: 2

Armour material: soft - 14 thick or 34 thin layers of Kevlar

Pouch used: yes

Fastening mechanism: Fastened with 2; 4 cm nylon straps which is fastened on the inside of your vest with hook/loop material. You should also use a rubber strap on the lower side to connect with axillary protector on the opposite side of the body to ensure a good fit.

Size of armour fabric/material - W: 33 cm, H: 32 cm

5. Ballistic Neck Protector

Number of pieces: 1

Armour material: soft - 14 thick or 34 thin layers of Kevlar

Pouch used: yes

Fastening mechanism: Fastened on frontal side on the low side of your throat, with 2; 2 cm nylon straps to inside of vest (depending on what type of vest you have, if you lack a neck protector integrated in your vest).

Size of armour fabric/material - W: 25 cm, H: 9 cm

6. Ballistic Hip/butt Protector

Number of pieces: 1

Armour material: soft - 14 thick or 34 thin layers of Kevlar

Pouch used: yes

Fastening mechanism: Simply buy a Web-tex Hip Pad from f. example polimil.co.uk and cut it in two (splitting it on the mid section and removing one mini-buckle). Then sew it together on the far ends so that it becomes "butt shaped". Then cut out the fill material and replace with layers of ballistic Kevlar fabric, stitch up, dye black and fasten on your belt. Some sewing required.

Size of armour fabric/material - W: aprox 83 cm, H: 10-20 cm

7. Ballistic Groin Protector

Number of pieces: 1

Armour material: soft - 14 thick or 34 thin layers of Kevlar, can also use flexible ballistic composite panel

Pouch used: yes

Fastening mechanism: 2 straps (2 cm nylon straps) fastened in your belt. You should always sew on the straps on your pouch before inserting the soft armour.

Size of armour fabric/material - W: 31 cm, H: 24 cm

8. Ballistic Upper Leg Protector

Number of pieces: 2

Armour material: hard – flexible ballistic composite panel

Pouch used: no

Fastening mechanism: fastened on top of Damascus FX-1, Flexforce anti-blunt-trauma suit, upper leg piece with hard plastic shell.

Size of armour fabric/material - W: 32 cm, H: 29 cm

9. Ballistic Knee Protector

Number of pieces: 2

Armour material: soft - 14 thick or 34 thin layers of Kevlar

Pouch used: yes

Fastening mechanism: fastened on top of Damascus FX-1, Flexforce anti-blunt-trauma suit, knee piece with hard plastic shell. Sew 2 straps (2 cm nylon straps with a fastening mechanism to the pouch, and apply/sew adhesive hook/loop on backside of pouch and the plastic knee cup it is applied on.

Size of armour fabric/material - W: 24 cm, H: 14 cm

10. Ballistic Shin Protector

Number of pieces: 2

Armour material: hard – flexible ballistic composite panel

Pouch used: no

Fastening mechanism: fastened on top of Damascus FX-1, Flexforce anti-blunt-trauma suit, leg piece with hard plastic shell. Fastened with 2 x straps (2 cm nylon strap) and one (4 cm nylon strap) with fastening mechanisms + some adhesive hook/loop straps.

Size of armour fabric/material - W: 27 cm, H: 25 cm

11. Ballistic Boot Protector

Number of pieces: 2

Armour material: soft - 14 thick or 34 thin layers of Kevlar

Pouch used: yes

Fastening mechanism: Fastened with 1 strap (4 cm nylon strap with sewn on hook strap which is fastened to sewn on loop strap as indicated on blueprint. Can also add more hook/loop to ensure it will stick to your boot once applied/fastened. Cut off the Damascus FX-1 boot modules when using this boot protector (it is useless and too clumpy anyways).

Size of armour fabric/material - W: 51 cm, H: 23 cm

End note to sizing of pouches: pouches should be +2 cm on each side of the above measurements for those pieces which indicate "pouch". Also, just skip the interior pouch altogether (an internal pouch made of vinyl is usually put inside the outer shell pouch (cordura nylon) in order to easily take out the armour insert in cases where you need to wash the outer shell (Iraq, Afghanistan duty involving a lot of sweat). However, you will not use the equipment long enough to require any washing etc. Keep all ballistic material

AWAY from water though as it results in disintegration of the material fabric structure and as such, weakens the ballistic value over time.

Sewing tips: for those pieces requiring pouches; it doesn't hurt to cut the cordura nylon material in even larger sizes. Sew it around the soft/hard armour inserts and just cut most of the excess material with a scissor when you are done sewing. If you plan accordingly you should try to take advantage of an electric sewing machine instead of a handheld sewing machine as this will save you a lot of time. Also, try to acquire heavy duty (thick) nylon thread that is coated with a sticky substance, which will help a lot when sewing with a handheld, manual sewing machine. Always order black for all materials. Try to plan your "armour creating phase" properly so that you order all of the items combined.

Here are some tools/equipment/materials you will need:

Heavy Duty Sewing Tool (you will need a lot more heavy duty thread)

<http://www.ahh.biz/products/accessories/heavy%20duty%20sewing%20tool%20STH001.htm>

Cordura Nylon 500

<http://www.ahh.biz/products/cordura%20plus%20nylon%20fabric%20FCP050.htm>

Nylon straps

<http://www.ahh.biz/catagories/webbing.htm>

Stick-On, Grippin Strip

<http://www.ahh.biz/catagories/hooknloop.htm>

Cinch Locks for 4 cm nylon straps (2 inch)

http://www.ahh.biz/products/hardware/military/Locks_Cinch_Military_Style_1.625.htm

Cinch Locks for 2 cm nylon straps (1 inch)

http://www.ahh.biz/products/hardware/glides_and_locks/Locks_Cinch_Nickel_Plated_Steel_%28www.ahh.biz%29.htm

Side Release Buckles (1 inch), you'll need 10 pairs

http://www.ahh.biz/products/hardware/Buckles/Buckles_Side_Release__Black_Plastic_%28www.ahh.biz%29.htm

Securing strap for Axillary Protector

http://www.ahh.biz/products/hardware/miscellaneous/Cord%20lock_0.125_Black_Plastic_%28www.ahh.biz%29.htm

+++

Adjusting/custom fitting your armour

When I started my armour acquisition phase I overestimated the weight and volume a person can carry without severely hampering mobility and combat readiness. I thought: "hey, I can wear 50 kg of armour, transforming me into a human tank as long as I train hard enough and use a suitable steroid cycle". Wrong... It is very important that you try out your gear along the way and test it while on the move to ensure that you are in fact able to move relatively comfortably in it for up to two hours. Take a walk around your flat for 15-30 mins and ensure that the items are in place after all types of bodily motions. You can add extra fasteners like hook/loop/Velcro if necessary. Don't be shy when it comes to adhesive



hook/loop strips (1 and/or 2 inches) and nylon straps (1 and/or 2 inches). I made several small miscalculations when planning/designing/creating my armour system and you will be able to avoid these and similar pitfalls if you follow this guide. I am certainly not a master armourer but I have managed to learn a lot about armour structure and design techniques. However, there is always room for improvement.

Miscalculation 1: I was unable to use the chest piece of the Damascus FX-1 as a base anti-blunt trauma layer under my primary ballistic vest and my plate carrier. The reason was that I had underestimated the weight, volume AND thus the mobility disabling effects of these two vests combined. As a result it simply became too bulky to apply and equipping the armour would have required the assistance of a helper. My primary vest weighs 4,5 kg (no plates, only soft armour) and my plate carrier vest weighs 13,5 kg (2 XL ESAPI plates level IV, 2 ESBI side plates level IV + plate carrier and various molle/modular attachments (pouches for 6 grenades – splint/smoke/flash, 1 back pouch for 1,5 litre camelback, 1 medic pouch, 1 gas mask pouch, 3 other pouches).

Miscalculation 2: I miscalculated the weight that is practically possible to wear for combat readiness. As a result, I had to discard two extra neck protector pieces and a groin protector piece, in addition to materials gathered for a hip piece (padded war belt with level IIIA ballistic armour).

Miscalculation 3: I underestimated the cutting power of my electric jig saw which resulted in me having to have the ballistic panel pieces for my leg armour and shield professionally cut at a work shop. You can prevent this by borrowing or buying a more professional jig saw.

Mistake 4: not really a mistake, but I ordered a lot of material and 4 armour pieces (two side plate carriers with soft armour and two neck protectors. In addition, the Kevlar inserts in the deltoid and axillary protectors in addition to the groin protector were pretty rotten and had to be replaced with new Kevlar fabric (30 layers). Total price of the surplus/discarded goods were around 800 Euro.

Moving around in heavy armour – specific training required – marching/fitness walk

You will quickly get an idea which of your muscles you will stress when moving with so much armour. You should immediately begin specific strength training for the purpose of moving for 1-2 hours in heavy armour (depending on your mission). I originally thought; “hey, why not fill all the molle/modular pouches with iron bolts and just wear it under a poncho while taking a walk”... While the idea isn’t bad, you should consider the fact that exercising outside with anything resembling military related items may cause suspicion and a subsequent call to your national intelligence agency. I ended up on a slightly different path with my exercise schedule. After my first test cycle of danabol I had gained 9 kg of muscles in only 6 weeks. The results were phenomenal to say the least. And this was only with 3-4 days of bodybuilding per week. I then chose to start armour training or so called march walk/fitness walk. I basically just bought two backpacks (40-80 litre packs), one in front and one in the back. I had already weighed my armour which totalled 18 kg frontal weight and 9 kg back weight. I then basically just went to the nearest beach and gathered 50 kg of rocks and placed 18 kg in the front pack and 9 kg in the back. It looks a bit silly but shouldn’t cause any suspicion for the most part. I may add extra rocks as I progress with my armour training programme. At the day of the operation I should have acquired an approximate feel on how to move around in heavy armour due to my simulation exercises.

Armour weight calculation and administration:

- Myself: 91 kg (75 kg standard weight, + 3 kg of surplus fat (hey, chocolate is good for morale!:P), + 5 kg of pre-steroid muscle mass + 9 kg of muscle mass acquired from test steroid cycle last 4 weeks using danabol alone. And yes I know: I would have managed to gain +5 kg of lean muscle mass if I had added test prop to the DBOL... I may use it on the last cycle.)
- Vest 1: 4,5 kg
- Vest 2: 13,5 (with molle pouches and 2 ESAPI plates and 2 ESBI plates)
- Helmet with visor: 3 kg
- Deltoid protectors: 1 kg
- Axillary protectors: 1 kg
- Groin Protector: 0,5 kg
- Leg armor: 2 kg (including upper leg, knees, shins, boot armour)

Total weight of armour: **25,5 kg**

(Tip: just use your household weight when weighing your equipment, for low calibration weights just wear the specified armour/gear and subtract your body weight)

Additional items

- Primary weapon with holographic sight + 3x flip-up magnifier + green laser: 4,5 kg
- Secondary weapon with green laser: 0,7 kg
- 1,5 litre of water (in a camelbak water pouch): 1,5 kg
- Mobile Ballistic Shield: 4-5 kg
- 6 x Banana clips 30 rounds - 5.56 or 7.65: 6 kg
- 4 x small clips 30 rounds - 9 mm for side arm: 2 kg
- 10 x Grenades (splint, smoke, flash), gas mask, medic supply etc: 4-5 kg
- Base layers: boots, "skins" compression suit (leggings + long sleeve), boxer, tactical gloves, socks: 1,2 kg

Total weight of additional items: **23,4-25,9 kg**

Total weight of all items: **48,9-51,4 kg**

Obviously, this is simply too much for me or for any one person to carry on most tactical missions even if you are well trained and on steroids and ECA stack. Some people are of course more fit than others and have the ability to carry more without it impairing mobility too much. But as a general rule, you should never carry more than 30 kg of equipment on you when combat ready and initiating your operation. The optimal combat ready weight would be no more than 15 kg of equipment.

Mobility and the element of surprise is the Justiciar Knights most important asset so we must ensure that we are not impaired too much when it comes to mobility.

Always remember that it will take the SWAT team 10-40 minutes to reach you. Until then, you only have to face poorly equipped system protectors. So if possible, try to divide your operation into several phases where you start out with an acceptable amount of equipment and pick up some additional items from another location (Starting point to pickup point 1, 2 and 3). Calculate so that you know when to expect the SWAT team (probably not before pickup point 1 or perhaps pickup point 2).

A good idea might be to start with limited equipment (3-4 banana clips, 1-3 grenades, no shield, no gas mask, and perhaps even no plates (Vest 2 -13,5 kg) at all. As you progress (depending on the nature of your operation) you may pickup this equipment later as you expect to encounter the SWAT operators at the end of your course.

Important sites for body armour leads acquirement:

Alibaba.com is a great site for finding Chinese, Indian suppliers and other suppliers from especially the second world countries. There are literally hundreds of Chinese companies who has copied European body armour technology and is selling them at a lower cost. Often, you will have to pose as a wholesale importer which then orders "samples". This is often the only choice as many Chinese companies only offer wholesale (larger orders) and not retail (single orders).

Ebay for bits and pieces.

Individual retail sites (Israeli sites are great) for other equipment. If you have problems ordering online or want to take extra precaution simply visit a country where mil spec body armour is readily available (US, Israel) and simply find a proxy buyer. A guy you pay a fee to in order to purchase for you.

Miscalculation 1: After testing; I have concluded that DBOL can be counterproductive to use for battle. The reason is that up to 50% of your weight gain is water/liquid retention which does little for your strength and agility and only adds more weight for you to "carry". This can be countered by switching DBOL as the primary steroid with f example testosterone propionate (test prop) as you will only get a fraction of the water retention with the latter. Alternatively, you may use Aromasin in combination with DBOL to suppress the "bloat" (water retention). This will ensure that 80%+ of your gains are muscles with minimal water retention. You can further reduce the "water-gain" by limiting sodium (salt) and carb intake. Another option is to use DBOL for the first 3 weeks and Winstrol for the last 3 weeks in order to get rid of the water while still keeping your muscle gains. There are tens of various combinations out there with multiple brands and types of steroids. Just find an option that suits you. The important thing, after all, is to biologically enhance your physique in order to ensure that you have the optimal chances to succeed in the operation.

Additional info

Deltoid Outer Shell (One of two DAPS parts – Deltoid & Axillary Protector System, brand: Point Blank): size: 34 cm wide x 33 cm length, one wide nylon strap with velcro on top, and one similar for strapping on the inside of arm

Groin Protector Outer Shell (Interceptor): size: 24 cm wide x 33 cm length

Throat Protector Outer Shell (Interceptor): size: 25 cm wide x 9 cm length, one nylon strap at both ends of width, one nylon strap on middle low.

See this list of modern body armour components (modular tactical vest):

http://en.wikipedia.org/wiki/File:Modular_Tactical_Vest_components.jpg

A complete body armour system (often referred to as MTV – Modular Tactical Vest or IOTV – Improved Outer Tactical Vest consists of some of the following parts (listed after importance):

When establishing a paramilitary organization later on in phase 1 or phase 2 with a conventional command hierarchy it is advised that 1-2 "armourers" are appointed and trained (by studying this guide) as it generally requires some level of competence and experience to create/sew multiple sets of armour within a reasonable time limit. I spent 4 months in my armour acquirement phase due to the fact that I basically had to "re-invent" the wheel as I was unable to find any proper step-by-step guides. With my current knowledge I could do the same in just a few weeks and at a significantly lower cost. These trained armourers (armour-tailors) will be very valuable for any conservative revolutionary movements.

Buying ballistic Kevlar fabric

There are several distributors across the world offering ballistic Kevlar fabric. There are several types of fabric, thick and thin. The fabric used in the Interceptor system (US military, Afghanistan/Iraq forces) consists of 30-34 layers of a very thin type of Kevlar fabric. I have been unable to confirm this but I believe 12 layers of the "thicker" Kevlar is equivalent to level IIIA. I was unable to acquire that specific fabric (thin version) but managed to find a Chinese, a European and a US distributor of other brands. Other variations of Kevlar fabric are considerably thicker than the Interceptor Kevlar and thus require fewer layers to create level IIIA protection. I'll describe the fabric I ended up purchasing (sold directly from the distributor or via the distributor's ebay account):

Seller: Infinity, site: www.armorco.com

Kevlar® 29 Style 745 Bullet Resistant Fabric. It is made from DuPont(TM) Aramid Yarn and woven into a fabric on weaving looms. It is used primarily in the Safety & Personal Protection Markets. It can be found and used in a number of personal protection applications including but not limited to: Bullet Resistant Vests, Car Armor, Cockpit Door Armor, Bullet Resistant Panels and many non-ballistic Industrial uses.

SPECIFICATION: Fabric Specs: Weight: 14oz. Sq.yd... Width: 50 inch width... Denier: 3000... Weave: Plain... Thickness: 24.1 (mils) 0.61 (mm)... Breaking Strength: Length & Width Directions(Length}: 1600 (lbf/in) (Width): 1800 (lbf/in)... Thread Count: 17 x 17

Kevlar can be sewn into multiple plies and is not needle resistant, it can be glued using a polyurethane based glue, it can also be used with Epoxy resins and vacuum bagged in laminating applications. KEVLAR FABRIC - It is perfectly legal to own, possess, transport or ship Bullet Resistant Kevlar fabric in all 50 U.S. States and the EU. As such; anyone can legally buy ballistic Kevlar fabric and create/sew their own level IIIA armour.

End note: Obviously, it takes multiple plies/layers of this fabric to make something bullet resistant. I strongly suggest buying Kevlar Scissors from the same site as normal scissors will not do the job properly.

I bought the following ballistic material from one supplier: infinityfrp.com or their subsidiary: armorco.com (10 yards/9 meters of Kevlar fabric) and infinitycomposites.com or their subsidiary: armorco.com (flexible level IIIA Kevlar composite plate)

I bought 1 flexible composite plate with black rubber lamination measuring approx: 1,4 x 1,4 meters. I told them to cut it into 4 pieces in order to reduce shipping cost from 600 to 150 USD. Price of the composite plate: approx 700 USD.

I also bought 10 yards (35 USD per yard) of ballistic Kevlar fabric. You actually get a lot more fabric than a square yard as the width of the fabric is 1,27 meters and is delivered on a roll. 8 yards was enough for 4 layers of DAPS (deltoid protector + axillary protector) fortification/enhancement, ballistic girdle/belt (protecting hips and butt - 12 layers), 2 knee protectors (14 layers) and 2 boot protectors (12 layers)

Dying nylon fabric (for dying camo colored ballistic outer pouches)

You will often find that you are only able to acquire camo colored items, in which case you will have to dye the items black. I did the mistake of importing "black spray-on dye" from the UK, which proved to be worthless. Keep in mind that all body armour Kevlar hard shells/pouches are made of nylon, which do not absorb normal water based fabric dye intended for cotton based fabric. You will need to choose one of the two following options in order to dye nylon fabric:

1. Buy specialized nylon die which is applied through hand wash or machine wash process. This process can be quite messy.
2. Simply buy large permanent markers (spirit based) and order additional refill.

I chose option 2. And due to the fact that I failed to plan the dye phase properly I ended up buying 12 large black permanent markers (spirit based). 12 markers was enough to dye 6 items (1 vest, 4 DAPS pieces, 2 axillary + 2 deltoid protection outer pouches and a couple of other smaller pieces. 12 permanent markers retail for 112 Euro. If you plan accordingly you only need to order 1 large black permanent marker + refill which will cost you 20 Euro.

Keep in mind that the items that are dyed will cause the items to smear ink on your skin and other surfaces. This is quite annoying and a clear drawback when using permanent markers for dying vs. more complex nylon dying techniques. The result will be that you will have to wash off your skin and ruin a few t-shirts/boxers each time you try on your armour system. If I knew the ink would smear so much I would have spent more time researching the conventional nylon dying technique.

European body armour stores

vestguard.co.uk
knifeandbulletproof.co.uk
ukbodyarmour.com
safeguardclothing.co.uk
tacgear.se
bonowi-shop.de
tactic24.de
einsatzmittelshop.de
security-versand.net
cop-gmbh.de
polas24.de
shop-engarde-germany.de
(asmc.de)

German search words:

Bullet proof vest = kugelsicheren Weste
Body armor = Körperpanzer
Ballistic vest = Ballistische Weste
Body protection = Körperschutz
Tactical vest = Überziehschutzweste

Israeli stores

Israeli-weapons.com
zahal.org

Chinese stores

Many Chinese body armour stores are found on alibaba.com

US stores

Export restrictions on all body armour to Europe. The only alternative is to travel there and buy the items yourself for personal export (Im not 100% sure whether you need citizenship or not though). As noted, it's illegal to export body armour from the US to Europe but I can't imagine that the fines will be very high if caught by US customs. It is perfectly legal to import body armour to Europe, Italy being the the only current exception to my knowledge.

General tips

Buy a solid level IIIA vest from one of the above stores (I would recommend the IDF Official Army vest (Israel) as it offers superior coverage, including neck/shoulders, and extra layers of Kevlar – IIIA+) and create the rest of the items yourself, as you will have a hard time ordering them.

3.33 Related tactical equipment and miscellaneous

Combat gear - base layers

Base layers include boots, gloves, boxer, socks and any "under armour" compression clothing you will want to use.

Boots

Let's start with the boots; you need black urban assault boots (not camo or any long distance "forest boots"). The boots should facilitate the attachment of a spur/spike on the back of the boots in order to use as a weapon for anyone assaulting you from behind. Also, the boots should incorporate some anti-blunt-trauma material which will help you to withstand any gunshot hits you might suffer (the ballistic boot protector in combination with good boots will be optimal).

The following are examples of boots that will suit your needs:

ATAC Shield Boot 8" (511tactical.com)

I chose the XPRT Tactical Boot 8" Boot due to the fact that they didn't have the above in my size. Both offer a "Shock Mitigation System" and has received the highest of ratings. Prices range from 130 to 180 USD. I bought mine from polimil.com, a great distributor with a wide range of products.

<http://www.511tactical.com/browse/Home/Law-Enforcement/Boots/XPRT-Tactical-Boot-8-Boot/D/30100/P/1:100:10000:10700/I/12201>

Socks

X-Socks Speed Metal or any other expensive high-tech sport socks available

<http://www.trailspace.com/gear/x-socks/speed-metal-sock/>

Description: help cool your feet during a long, hot run with X-Sock's Xitanit conductive technology. The X-Sock Speed Metal Running Sock incorporates heat-conducting fibers, air-conditioning airflow channels, and supportive blister-reducing bands to keep your feet supremely comfortable, mile after mile. It sounds really techy-and it is. You'll also find that it makes a great difference.

Skins Compression gear

I would highly recommend Skins Long Sleeve Top and the Skins Compression Leggings

Top: http://www.polimil.co.uk/acatalog/Skins_Sport_Long_Sleeve_Crew_Neck_T_Shirt_49_89.html

Leggings: http://www.polimil.co.uk/acatalog/Skins_Sport_Compression_Leggings_58_95.html

Benefits with Skins compression gear:

Will enhance your performance in training and recovery and give you an edge over your opponents (SWAT and regular system protectors).

They enhance circulation from engineered gradient compression which assists in reducing lactic acid build-up. A precision fit (choose your size from their size chart) based on your body mass index algorithm. Focuses muscle power and dramatically reduces muscle vibration. Moisture management wicking draws moisture away from your skin keeping you dry. Optimises your body temperature in warm or cool conditions. The top changes the shape of the diaphragm and encourages better posture which acts as a respiratory aid and improves performance. During aerobic activity where muscles need the body to process more oxygen a Skins top will help the wearer to breathe into the upper chest cavity and effectively take larger breaths.

Long sleeve top and leggings costs from 135 -180 Euro.

Assault Gloves

Hatch Operator Tactical Gloves SOG <http://www.hatch-corp.com/detail.aspx?pid=SOG-600/650/700/750/800>

Designed by and specifically for military use, this glove allows you to perform with surgical precision. The ergonomic fit and tactile sensation found in these gloves are unmatched.

- Constructed of goatskin leather palms and sewn with abrasion, cut and heat-resistant nylon thread
- Goatskin provides superior abrasion and tear resistance over cowhide or sheepskin, yet offers a comparable thickness for comfort and durability
- KEVLAR® construction provides cut resistance, heat, and flash protection

- Cut-ring stitching allows optional removal of the index finger for trigger control without unraveling the remaining edge

Defensive spikes

Boot spike

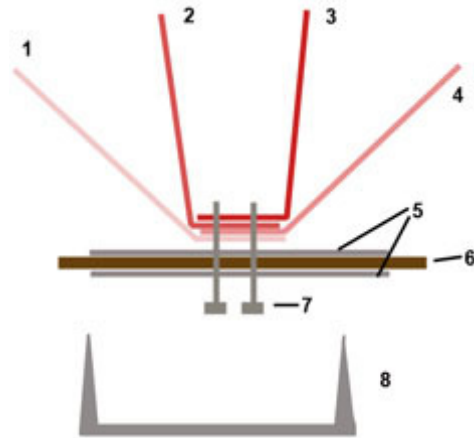
Black & Decker X61501 13 mm Countersink Bit

<http://www.tikproducts.co.uk/black--decker-x61501-13mm-countersink-bit-13mm-27501-p.asp>

I successfully attached the following "spike" on the backside, using a size 5 drill (the spike attachment pin is size 5,3 so it was a perfect match).

Tepes Revenge - Defensive Steel Impaler

The name is taken from Romania's most famous historical Crusader, Vlad Tepes, who impaled tens of thousands of Muslim invaders in the Balkans. The following defensive melee weapon is inexpensive and quite easy to create and is especially designed for one-man-cells where there is a high operational risk of being assaulted from behind or from one of the sides. The stationary defensive spikes primary function is to work as a deterrent, in order to discourage anyone from assault you. However, should someone choose to attack you from behind, he will most likely try to lock your arms in a standard "locking manoeuvre". With one or more Tepes Revenge attached to your back vest you can easily impale and injure the attacker with only a little motion required from your end. The likelihood of successful impaling is high as Tepes Revenge consists of 4 blades – 2 bent at 90 degrees and 2 bent at 130 degrees.



- 1-4.** Staples letter opener/knife x 4 – 25 cm long with wooden handle/two holes, the 4 letter openers are bent as illustrated after removal of the wooden handles.
- 5.** 2 x metal ruler or similarly shaped object
- 6.** The fabric TR is attached to
- 7.** 2 screws with nuts
- 8.** A smaller spiked item made of iron and sold in larger hardware stores/house building stores. I don't exactly remember what this type of "nail" is called but it is used to fasten large wooden beams in house-building. This item can be fastened to your lower arms by drilling two holes through and fastening it to your lower-arm-protector with screws and nuts. Range of nail varies but approx 15-20 cm is optimal. For additional stabilization you may use circular plates with holes in them (they look like a coin with a size 5 hole in it).

Costs: 4 x letter openers/knives: 25 Euro, metal ruler: 12 Euro, screws with nuts: 19 Euro, 2 x iron beam nails: 5 Euro

End note: Tepes Revenge should be fastened on the upper side of your back to counter any conventional assault manoeuvre from behind, where the attacker attempts to lock your arms or grab you around the neck. This can be very useful when your operation involves the assault on a crowd, where there is a chance that the situation can develop chaotically and there are people on all sides. In a scenario like this, TR may prevent any surprises from behind. The knives should be sharpened and coloured black with a permanent marker. **8.** Should be fastened on your lower arms so that you may

defensively stab with them if assaulted if you are unable to use your primary or secondary fire arm. You may fasten TR to your combat vest. Just keep in mind that it will prevent your mobility in cases where you need to for example drive a car. An alternative for fastening TR to your combat vest is to attach it to a wide nylon strap, supported by for example a metal ruler and/or hook & loop material. In this case you will have to wear it as a belt, just on your chest/upper back. Simply take it off as you are entering a vehicle.

Caltrops – immediate vehicle-disabling road block

A caltrop (also known as caltrap, galtrop, cheval trap, galthrap, galtrap, calthrop, crow's foot) is an anti-vehicle weapon made up of two or more sharp nails or spines arranged in such a manner that one of them always points upward from a stable base.

These ancient weapons may be thought of as the landmines of antiquity, useful to shape the battlefield and force the enemy into certain paths and approaches, or to provide a passive defense as part of a defensive works system. Caltrops served to slow down the advance of horses, war elephants, and human troops. They were said to be particularly effective against the soft feet of camels. In more modern times, caltrops are used against wheeled vehicles with or without pneumatic tires.

The best caltrops available against vehicles are hollow spikes which puncture self-sealing rubber tires. The hole in the center allows air to escape even if the other end of the tube is sealed by soft ground.

These caltrops can be ordered from the following supplier:

http://www.alibaba.com/product-free/103280388/Tire_Spikes_Caltrop_CIA.html

Paypal: supertek2007@hotmail.com
Sergio Anaya, Guadalajara Mexico

Prosperity Technologies, Inc.
Street Address: Privada San Carlos 1044
City: Zapopan
Province/State: Jalisco
Country/Region: Mexico
Zip: 45236
Telephone: 52-331-4875439
Mobile Phone: 3314875439

Prices vary from 3-5 USD per caltrop depending on the amount you order. Keep in mind that you will use approximately 10-20 caltrops to effectively create a vehicle-disabling roadblock.

Caltrops are very useful for certain missions where it is necessary to either escape (use on free-way to prevent pursuit), to block off roads or to cause havoc in situations where you want to prevent system protectors from pursuing you.

Usually, shipments by courier (FedEx, UPS etc.) will have a higher chance of not being seized. The sellers are familiar with import restrictions and will usually mark the shipment with "metal handicrafts" or other vague descriptions. I ordered 60 caltrops.

<http://en.wikipedia.org/wiki/Caltrop>

LED police lights

These are used to mimic system protector vehicles. They are very useful for confusing system protectors/guards/civilians on f example your second target and thus prevent them from shooting at your car. The LED police lights should be used in combination with car magnets.

<http://www.extremetacticaldynamics.com/>

Car magnets

Car magnets are used to fasten logos etc on 1 – 4 sides of your car. You will often find it useful to print out (using a high quality colour printer) logos and glue them to the car magnets using plastic film. Very useful for certain missions. I ordered 12 in size 20 x 20 cm and created the necessary logos in photoshop, and using a high quality print shop abroad (obviously paying by cash).

Smoke grenades (signal smoke) and various gun/army related items

Smoke grenades are usually used when you need to escape a location and/or when you are pinned down. They can also work as distractions.

www.asmc.de

4GB AEE PD80 Mini DV DVR Camera

This extremely small and lightweight field camera is used to document your operation. 4 GB is equivalent to 2 hour of constant filming. Ive personally tested it and it works great. Some governments may seize the movie (after you are neutralized) and publish it while others may bury it or even destroy it to protect the multiculturalist ideology. The reason is that they may regard any documentation from the Justiciar Knight as a mockery of their system. On the other hand, they may actually release the film to the press censored or even uncensored. You may want to bring 2 memory chips and attempt to mail one of them, if possible. You place the memory chip in a pre-made envelope (with stamps and the address of a pre-selected news desk that is likely to publish it uncensored). The best option would of course be to upload the digital movie via high speed internet (your Iphone) to a distribution site at the end of your mission. Unfortunately though, uploading 1-2 GB would take at least 3-7 hours. Also, there is normally a 200MB-ish cap on email attatchments so sending the movie to 10-20 newsdesks is not yet an option due to technological limitations. This will off course change at some point in the future.

Sold on Ebay (Chinese producer)

Cost is 87 USD

Assault rig/molle rig

www.skdtac.com offers excellent chest rigs. However, there are numeours suppliers in all countries.

Various armour parts/gun parts

www.israeli-weapons.com offers a lot of equipment not normally found in European stores.

Gas mask

A gas mask is useful in situations where you are surrounded and flanked on all sides (for example inside a building) and you expect a SWAT team to strike against you. In most cases they will launch a CS strike (tear gas) 30 seconds before they ram the door and storm your position. With a gas mask and decent cover, you will be able to neutralize up to 5 system protectors before they manage to overwhelm you. SWAT teams have very little experience with professional freedom fighters and are usually used to criminals and gun desperados with little or no body armour, no insight and experience with SWAT tactics and little or no survival equipment.

You need a compact gasmask with minimal weight. You should consider buying a Soviet gas mask (GP-5) as they fit the description and costs less than 10 Euro. They made millions and have been dumping them on the market for years. Western gas masks with the similar specs costs 100 Euro +. There are several suppliers selling these and some are continuously listed on ebay. I have been unable to confirm whether the filter is specifically effective against SWAT CS gas, but I'm pretty sure it offers decent protection based on the description of the filter (nuclear, biological, chemical protection).

Cost – 25 Euro incl shipping.

Keyword: soviet military gas mask

<http://www.campingsurvival.com/brnewinboxru.html>

Blank patches – black

Used to place emblems or other logos (for example to mimic system protectors). Emblems/logos are printed, laminated and glued to the surface of the patches with adhesive double sided strips. You can order these patches with Velcro/hooks.

Cost for 4 patches (2 large, 2 small): 100 Euro

No minimum order):

<http://www.customteampatch.com/>

<http://www.colorpatch.com/>

Laser bore sights

Used to calibrate your weapon sight without firing your gun. Cartridge laser bore sights are inexpensive and relatively accurate. Weapon sight will still need fine tuning.

Opticsplanet.com

Garmin eTrex

An inexpensive way to generate coordinates for the location where you dug down your caches.

Cost: 50-80 Euro

Ballistic helmet with ballistic visor

Israeli-weapons.com

Eotech Transverse XPS 2 Red Dot Sight / Non-NV

Cost: aprox 450 Euro

Opticsplanet.com
Ebay.com

EOTech G23 FTS 3x Black Magnifier Gen II w/ Flip To Side Mount

Cost: aprox 500 Euro

Opticsplanet.com has an export restriction for this item so I bought it on ebay.

Money belt with secret pocket

Useful when traveling abroad and when you contact criminals individuals or networks (weapons acquisition). It limits the chances of being robbed.

Acquiring the appropriate drivers license

Class 1: Regular car up to small truck (up to 1,2 ton cargo load only!). Aprox cost for this license is 2000-3000 Euro depending on the various Western European countries.

Class 2: Medium truck up to 7,5 ton max weight (up to 2,5 ton cargo load only!). Aprox cost is 2250-3250 Euro in addition to the cost for the class 1 license.

Class 3: Large truck (up to 5-8 tons cargo load). Aprox cost is 2500-3500 Euro.

Tips: if you don't have a license yet, you have to first take class 1 and then take class 3 (forget about class 2).

You should not drive around without a license as this will substantially increase the risk of apprehension and may cause a lot of problems. In addition, you will not be able to rent a truck from the rental companies without a valid driver's license. You might think you are smart and buy a stolen truck (or steal one yourself). However, the added risk and costs involved will not weigh up for the alternative cost of getting your truck license the legal way. You should calculate aprox 2-3 months for the acquisition of a valid truck license if you already have the class 1 license. If you lack both you should estimate a 5-6 months acquisition time.

End note: as my cargo would be less than 1,2 tons per vehicle I disregarded upgrading my license and saved 4000 Euro.

3.34 Weapons phase

Smuggling an assault rifle and other equipment across the border in your vehicle

Carve out a majority of the PVC foam in your rear car seats. You start by unscrewing the seats (usually 2 screws per seat). It's smart to check the advanced car manual for your car model online so you learn specifically how to detach the seat. I removed the two rear car seats, transported them to an appropriate location and started working on them. The fabric under the seat was attached with Velcro (hook-loop) so gaining access to the foam was easy. I then cut out enough foam which would ensure I had room for the weapon related equipment needed for the operation: 1 assault rifle, grenades, glock, ammo etc. When you disassemble for example an AK-47 you are able to reduce the length down to 65 cm. Unfortunately for me, the seat was only 60 cm at its widest so if I end up buying an AK I will basically have to shorten the barrel by at least 5 cm. This can easily be done by bringing a hacksaw or another saw for cutting metal.

Overview of assault rifles with specs

http://en.wikipedia.org/wiki/List_of_assault_rifles

Establishing your gun connection – the black market guns in Europe

Contrary to popular belief, European gun control does not mean that European citizens lack access to firearms. In fact, street prices of more common firearms in European capitals are not much higher than what one would expect to pay in a gun shop in the US.

London has become famous for two things: Strict gun control and easy availability of firearms for their criminal classes. Generally, shopping for black market weapons on a small scale is not like browsing gun shops in places where the weapons are legal. Browsing is considered inappropriate and you must be prepared to buy once the connection is met. Extended negotiation or waffling on a deal is inappropriate and more likely than not going to burn the possibility of any future contact with the other party. Selections are often very limited. Unlike a conventional commercial purchase, the buyer will probably not be able to dictate the make and model of a gun that he will buy, but will probably be able to request the type. The buyer can for example request an automatic or revolver, and dictate the caliber. If the weapon is an assault rifle, the buyer will probably be able to pick the make and model, as long as it is some derivative of an AK.

Smugglers will favor compact weapons that have a high profit ratio. This usually means handguns which are cheap in the source country and can be sold at a healthy enough markup for the chain of middlemen involved. The selection of guns available in London is a pretty good example of this.

The Uzi pictured in this British illustration is probably not the model commonly available there, but the picture is meant to represent the four most available guns in London. Prices range from 200 to 300 British pounds but I suspect the Uzi is a little more. The most likely Uzi models they have available are the full size ones. While the Brits credit the availability to the Israelis, they conveniently leave out that copies are in production in at least four other countries. This includes China, Croatia and quite possibly Iran.

Source countries include most East European countries other than Poland and Russia, and China through middlemen. Rumor has it that many newer model quality guns on the black market are products of Croatia being marketed by a loose alliance of "former" intelligence agents also responsible for the infamous "Amsterdam cell phone gun" which is a handgun built to closely resemble a cell phone.

What I have found is that immigrants tend to have more ready access than native Europeans, but the natives tend to have access to the more costly higher quality weapons.

The other sources of black market guns in Europe are "repaired" guns that were once deactivated war trophies traded about by collectors. The craftsmanship involved in "reactivating" the war trophy guns makes them a costly item traded in antique collecting circles as a "special" item among close knit associates usually connected with retired military personnel.

There is also a limited business in stolen military weapons, but it has been hard to determine how extensive it is. My guess is that it is pretty minimal given the high security at most military installations, although many ex-soldiers from the Russian army commonly take weapons with them to sell. In such cases, the weapons will usually be folding stock AK derivatives like the AK74 or AK 100.

What can prove even more difficult than obtaining guns in Europe is getting supplies of ammunition. The old rule of "buck a bullet" often applies. Sometimes (like in the UK) there is an "underground" of reloaders manufacturing ammunition from components on a small scale and secret indoor shooting ranges. Otherwise, the ammo is smuggled in and the smugglers expect to make a healthy profit.

This select clientele is usually former military personnel employed as bodyguards and sometimes mercenaries. Unlike the US, mercenaries are openly recruited in several European countries. These people usually have better connections for weapons, but are more select and secretive about whom they deal with.

I have been reading reports of Albanian and Middle Eastern heroin running gangs using heavier military weapons in France, including one apparent gang leader who fired several shots from an RPG-7 at police in a long drawn out car chase and gun battle at an apartment complex.

The reality of the European black market arms situation is that the relative ease with which guns can be smuggled in from places where they are cheap

From what I have gathered, a number of connections for the guns are made the following ways:

- At large parties and nightclubs, especially the "underground" nightclubs where narcotics are commonly available. These will be frequented by gangs, organized crime, and military deserters.
- Through professional bodyguards, mercenaries and the organizations that broker their services. This includes a number of the "bodyguard" and "mercenary" schools operating in Eastern Europe, the Middle East, and Africa, often through a loose alliance of "retired" military and intelligence personnel. Gaining the trust of these people can be difficult, but once they trust you, they can make almost anything available, up to and including combat aircraft. It can be very difficult to sift the bullshitters from the real players so don't put money up front until you can see some serious evidence that they can deliver.

- Through loose associations of militaria collectors and former gun collectors and dealers. Most are under active investigations by law enforcement, so they are usually pretty paranoid, but they do have access to the weapons.

Those who I found often will not have access to weapons or have them but are unwilling to sell them off:

- Political and "terror" organizations like the IRA and Orangemen. They have weapons, but jealously guard their contacts and almost never sell them off. Marxist organizations rarely sell weapons to anybody other than "fellow travelers" in allied Marxist organizations. The trick is to find the occasional deserter or corrupt individual in one of these organizations who can be convinced to give something up for cash or something of value.
- Anarcho-Nationalists: Skinheads and/or Neo Nazis. They may be ultra-violent, but they are mainly brawlers and vandals, not bomb makers or gunfighters. Weapons they use are usually improvised and disposable and nearly all arms dealers in Europe avoid dealing with the skinheads. They are usually under active investigation by any number of agencies thus it becomes very risky for most arms dealers to associate with them and thus what weapons the skinheads get, they rarely are willing to depart with. They do usually know where and how much the weapons cost, but are usually looking to make a connection rather than become the connection.

In general, Revolutionary Conservative in Europe is often going to be on the same ground as the criminals until some events happen that separate the good people from the bad people. That is not to say certain weapon permits are impossible to obtain in Europe. In fact, there is a growing international movement for the rights of citizen's to own weapons which is challenging Marxist policy in many west European countries.

End note: Do not take unnecessary risks and lurk around in the back alleys in order to attempt to establish a gun connection. Rather, let your money work for you. When you believe you have found a connection, offer him 500-1000 Euro in order to help you acquire your "shopping list". Chances are there that he at least will know someone with a connection. 500-1000 Euro might seem like a lot but at the end of the day; your well being is worth more than 1000 Euro and it can substantially decrease the risk of being robbed or even killed in extreme cases.

Assault rifle shooting ranges in Europe: Czech Republic, Poland and Switzerland

There are only three European countries where it is legal to shoot an AK 47 and other assault rifles in Europe. A shooting range in Prague, **Czech Republic** has a limited license under supervision of fire range instructors where you can fire full automatic AK 47, high powered sniper rifle M16 and other weapons. In Poland and Switzerland you may practice the AK 47 but only in semi automatic mode. For those of us with contacts within the Serbian and Armenian nationalist movements there are some opportunities in those countries as well.

Outside Europe

The easiest and most secure way to be able to practice full automatic assault rifle shooting is to travel to Christian African countries. Never travel to Muslim countries as this is very dangerous even for our Marxist enemies! The likelihood that European intelligence manages to find your name is significantly lowered if you train outside Europe.

My suggestion

You don't really need to practice on full auto mode. The most important thing is that you familiarise yourself with recoil in combination with high speed aiming. This can be done with semi automatic rifles or even with bolt rifles. You can legally buy a bolt rifle and/or a semi automatic rifle in most European countries and practice on a shooting range. I legally own a pump action shotgun, a 308 win bolt rifle (same caliber as the AK 47) and a semi-automatic Ruger Mini 14 and have managed to familiarize myself with high speed target acquisition in relation to the recoil by firing one round at a time. Automatic mode is not practical for 5.56 and 7.65 assault rifles as it is more or less impossible to accurately hit a target while "spraying" in one direction. Weapons like the MP5 is a totally different story however because the recoil of the 9mm bullet is much easier to handle without loosing the aim. Practicing with a similar caliber rifle is almost as good as becoming an expert at the real thing. Keep in mind that with the high tech red point (expensive versions), green laser and 3 x flip-up sight you are prepared for anything at medium range and you are not necessarily unprepared because you lack experience in full auto spraying. With the above sight equipment mounted on your assault rifle you will successfully manage to acquire and neutralize multiple targets at a minimum amount of time. Just ensure that you familiarise yourself with the recoil in relation to swift target acquisition and you will be prepared.

http://www.praguetouristguide.com/1-popular-AK_47_Kalashnikov.html

Other

Make your own Rifle Silencer:

<http://www.wonderhowto.com/how-to-make-easy-homemade-rifle-silencer-300152/>

How to disassemble an AK 47:

See Youtube.

European intelligence agencies taps mobile phones even if they are turned off

The technique is called a "roving bug", and was approved by the U.S. Department of Justice for the first time in 2003. These surveillance techniques are usually only used against potential terrorists and advanced organized crime syndicates. The eavesdropping technique functions whether the phone is powered on or off. Some handsets can't be fully powered down without physically removing the battery; for instance, some Nokia models will wake up when turned off if an alarm is set. Nextel, Samsung and Motorola are especially vulnerable. At this time it is unknown exactly which mobile phone models it works on so you should ensure that you ALWAYS physically remove the battery from your phone when you do not want your national intelligence agency to pinpoint your location or monitor your conversations through the audio device of the phone.

If you want to read more about the "roving bug" technique you can read the whole story below.

Source:

http://news.cnet.com/2100-1029_3-6140191.html

3.35 Physical training, packing gear and running simulations before the operation



Survival is the art of staying alive. Mental attitude is as important as physical endurance and knowledge.

Think of survival skills as a pyramid, built on the foundation of the will to survive. The next layer of the pyramid is knowledge. It breeds confidence and dispels fears. The third layer is training: mastering skills and maintaining them. To cap the pyramid, add your equipment. Combine the instinct for survival with knowledge, training and equipment and you will be ready for anything. You will become a one-man army.

Getting fit, "Physical transformation period", prior to operation

You are going have to go through a "physical transformation period" to prepare yourself as a Justiciar Knight before you engage in armed resistance against the cultural Marxist/multiculturalist establishment. As such, the struggle requires determination, courage, and top physical conditioning.

This might seem trivial for some but very challenging or impossible to others. As for me, I had to overcome huge obstacles due to the fact that my physical conditioning was at a bottom low after more than a decade of office work and inactivity. Nevertheless, a hard training program in combination with the use of protein supplements, Winstrol and Stack 2 helped me reach superb physical condition in less than four months.

This is how you can overcome these obstacles:

Start your physical training programme at least 4 months prior to operation. Joining your local gym is the logical approach. You should try to reach your optimal weight (lose weight if necessary), considering the fact that you most likely will have to carry up to 40kg of equipment (body armour/weapons etc). Set up your training programme; for example 2-3 days of weight training and 2-3 days of jogging or spinning. Signing up for "40-50 min "spinning classes" is an excellent alternative as you will be pushed for the full duration by the gym trainer. You can also consider jogging with 40kgs weights. You can create an outfit for these sessions consisting of a jacket with weights (heavy objects in the pockets and a metal pipe in your arms equivalent to the weight of an assault rifle). It will most likely look completely ridiculous but it would be a good physical simulation.

A good training schedule in combination with a diet is the recipe for the desired results. You should really consider using steroids to reach your goal. There are many misconceptions related to the use of steroids but it is in fact the most logical approach. Not all people are motivated for strict training courses. Using stimulants can increase, not only your motivation but your agility, speed, strength and endurance by up to 200% depending on your current foundation.

Martial arts and melee combat techniques

Martial arts or fighting arts are systems of codified practices and traditions of training for combat. Martial arts all have a very similar objective: defend oneself or others from a physical threat. In addition, some martial arts are linked to beliefs such as Hinduism while others follow a particular code of honour. Martial arts are considered as both an art

and a science. The term martial arts refers to the art of warfare (derived from Mars, the Roman god of war) and comes from a 15th-century European term referring to what are now known as historical European martial arts. Europe is home to many extensive systems of fighting, both living traditions that have existed through the present and others which are now being reconstructed.

A common characteristic of martial art is the systematization of fighting techniques. Methods of training vary and may include sparring (simulated combat). This includes such styles as sword and shield, two-handed sword fighting, halberd fighting and other types of melee weapons combat. European martial arts have mostly adapted to changing technology so that while some traditional arts still exist, military personnel are trained in skills like bayonet combat and marksmanship.

My own country, Norway, has a millennium-long tradition in Viking-sword techniques or more popularly referred to as broad-sword techniques. A forward, basic heavy thrust with a Viking sword, could for example cut a man in two. It usually takes 3 years of hard training to fully master a broad-sword. However, regardless of how patriotic it would be to become a master of my Dyback Viking sword replica (excellent combat-ready replicas, using traditional crafting methods are still produced in Toledo, Spain) we must sadly conclude that a majority of our traditional weapons and traditional European fighting techniques are obviously illogical and even counter-productive for current use.

Marksmanship and bayonet training

The most pragmatic approach for Justiciar Knight martial arts training includes marksmanship training, bayonet training (and simulations involving your additional defensive spikes/knives) and basic full contact fighting techniques for defensive and offensive purposes.

Muai Thai

As for basic, full contact, defensive and offensive fighting techniques I would highly recommend Muai Thai.

Muay Thai is a hard martial art from Thailand and is referred to as the "Art of Eight Limbs" or the "Science Of Eight Limbs" because it makes use of punches, kicks, elbows and knee strikes, thus using eight "points of contact", as opposed to "two points" (fists) in Western boxing and "four points" (hands and feet) used in sport-oriented martial arts.

Almost all techniques in Muay Thai use the entire body movement, rotating the hip with each kick, punch, elbow, block and includes the following techniques:

Punching

Jab, hook, swing, spinning backfist, uppercut and cobra.

Elbow

Elbow slash, horizontal elbow, uppercut elbow, forward elbow thrust, reverse horizontal elbow, spinning elbow, elbow chop, double elbow chop and mid-air elbow strike.

Kicking

Straight kick, roundhouse kick, half-knee kick, spinning heel kick, down roundhouse kick, axe heel kick, jump kick, step-up kick, straight knee strike, diagonal knee strike, curving knee strike, horizontal knee strike, knee slap, knee bomb, jumping knee, step-up knee

strike, straight foot-thrust, sideways foot-thrust, reverse foot-thrust, slapping foot-thrust and jumping foot-thrust.

Clinch and neck wrestling

In Western boxing the two fighters are separated when they clinch; in Muay Thai, however, they are not. It is often in the clinch where knee and elbow techniques are used. Normally, if you are in a clinch with someone and unable to use any of your weapons, always go for the neck. Simply punching the neck (Adam's apple) with a certain force should neutralise a majority of threats as the neck is the most vulnerable and potentially lethal point.

Justiciar Knight martial art

It's time for us, the European revolutionary patriots, to remember our prowess as warriors and to make sure our enemies remember it as well. Considering the fact that a Justiciar Knight is armed with not only a primary and secondary weapon but melee weapons as well, we will have little use for the majority of Muai Thai techniques (although knowledge and experience with basic techniques can be useful). Even if a Justiciar Knight wanted to, he would be physically unable to use many of these techniques due to the weight of the gear he carries and the resulting movement limitations. This will of course vary as each Justiciar Knight Commander decides what type of armour and gear to use depending on the specific operation.

If I were to attempt to describe the martial art form of my specific operation it would resemble that of the extremely mobile juggernaut (deployable human tank). My relatively heavy but strong level III ballistic armour (+ shield and level III helmet with visor) would counter the MP5 fire threat from my city's system protectors. As for information concerning the operatives in my cell, I cannot disclose anything that might indicate number of individuals or their methods and/or tasks. As for my own role; the weight of the armour would prevent me from running long distances; however, this will be compensated by using light vehicles to get from one location to the other. This particular approach can be described as a "system protector – "flank buster" technique, constructed to charge and annihilate an improvised system protector flank, if necessary. It is likely that I will have to attempt to charge and annihilate one of these flanks close to my second or third target location. The spikes on the shield, neck, arms and boots, in addition to the bayonet would also be highly efficient against any civilians or system protectors trying to jump you from behind.

End note: keep in mind that the custom designed defensive spikes/knives must not impair your ability to drive a car.

A quick guide to the optimal diet

Your diet will be based on your current physical state. Whether you are in your current match weight (optimal weight) or if you are too skinny or even overweight – you should set up a diet based on your physical goals. In either case, you should consider using the absolute best dietary supplements on the market. Having trained weights on and off since I was 12, I have learned a lot about an optimal diet. I recently spent (again) several hours researching a multitude of products reading hundreds of reviews and concluded with the following dietary products which apply for an individual who has to lose 7 kg of fat and gain 7-10 kg of muscle mass. My specific diet includes following a

2300 calorie per day dietary program until I manage to burn the fat – then stabilise/build on approximately 2500-2800 calories.

Protein powder

Gold Standard 100% Whey (2 bags, total of 10 kg).

Gold Standard 100% Whey Protein won the Supplement Of The Year and Protein Powder Of The Year award for 2005, 2006, 2007 and 2008 for a good reason. It is a really good product. The best flavour, according to reviews, is "double rich chocolate".

Creatine capsules

Creatine Ethyl Ester capsules (6 boxes x 240 capsules)

Creatine is by far, one of the best discoveries that has hit the bodybuilding/fitness world. Creatine monohydrate has proven effective in increasing muscle mass, strength and all around athletic performance. Creatine Ethyl Ester is an exceptionally soluble creatine resulting in advanced absorption, increased bioavailability, and stability. Instead of saturating your system in creatine and hoping for absorption, creatine ethyl ester directly penetrates the muscle cell resulting in 30 to 40 times more functional creatine.

Protein chocolate bars

"Carb Conscious Bar" by "Supreme Protein" (8 variety packs x 12 bars)

"Carb Conscious Bar" by "Supreme Protein" won the "Protein Bar of the Year 2009" award. The bar is packed with premium-grade protein blend, powered by more high-quality whey isolate than any other product of its kind. This pure and powerful protein is unmatched in amino content, bioavailability and muscle-building benefits. You will find even better bars out there, however, they will taste like sh.. compared to this one. They all taste excellent.

I paid a total of 600 USD for the above products. Needless to say, there are many European brands that are suitable as well. However, considering the fact that the USD is so weak at the moment you will get a lot more when ordering these products (or others) from US based – bodybuilding.com.

A quick guide to oral anabolic steroids

The use of anabolic steroids will significantly increase your agility, speed, strength and endurance. A good alternative in this regard is Winstrol (stanazolol) in tablet form (liquid form is slightly better if you don't mind needles, which I do). Winstrol is one of the most popular drugs considering the fact that it has very few side effects (androgenic side effects are almost zero). It also increases your metabolism which will help you lose body fat while building muscle mass. Anavar works as well, but I wouldn't recommend Dianabol, Halotestin and Maxibolin which are designed for "bulking your muscles". EPO is another drug that enhances endurance.

Steroids are usually taken in 6 week cycles followed by a 6 week break. Make sure that your operation is within a cycle.

Winstrol specification

Winstrol is an orally or injectable applicable steroid with a great effect on protein metabolism. Winstrol (Stanozolol) is a derivative of testosterone and has very strong anabolic and androgenic properties. Winstrol has a great effect on protein metabolism and promotes protein synthesis. This effect manifests itself by creating a positive nitrogen balance, supporting the building up of protein and thus skeletal muscle mass. Winstrol also induces an improved sense of well-being. Appetite stimulation, increased muscle mass, increased bone density, increased red blood cells are the common effects of Winstrol.

End note: I ended up with DBOL and winstrol tabs. Yes, I am aware of the fact that there are much better products out there but these will have to suffice. I will do 4 weeks with DBOL followed by 2 weeks of winstrol, obviously in combination with hard training and an appropriate diet consisting of a minimum of 200g protein per day (prot powder) etc. My training program will consist of 50% strength and 50% cardio. I ordered the DBOL+ Winstrol tabs from an online store called "Alinshop" who offers "paperbol", a new shipping method for sending tablets safely through the mail. The essence of the method is the following: tablets are glued vertically on a sheet of paper, resulting in a thickness of no more than 0,2 cm. As such, the shipment is sent as a thin "letter" and avoids the custom scrutiny reserved for "packages". It is a highly efficient technique used to send anabolic tablets safely through the Western postal systems. I received my "letter" without any problems with a total of 3000 tablets of DBOL and Winstrol. Alinshop has its office in the Balkans. I intend to do at least more test cycle and one last "operational cycle".

Countering the water/fluid retention from DBOL

The problem with DBOL is that 20-50% of your weight gain is from water/fluid retention. Fluid bloats the muscles and adds little or no strength gain at all. If you can control the water retention with Arimidex or Aromasin, DBOL is fine and you will experience exceptional muscle/strength gain with little water retention.

Aromasin (exemestane), the best
Arimedex, the second best

Use aromasin at 0,25-5 mg per day (drink a lot of water to prevent dehydration)

Aromasin is better because it's easy on HDL, it will free up test lower shbg, can cause muscle gains and is much better tolerated and more effective (suppression profile wise) as compared to Arimidex. You will find very few people that prefer Arimidex over Aromasin.

Non-steroid means to avoid too much water/fluid retention.

- Reduce your sodium/pottassium intake as both are potent regulators of fluid retention. Sodium is salt (sodium chloride) and f example tuna fish is loaded with sodium).
- Regular H2o (water) intake is a good idea as it help keep the system flushed.
- Watch carbohydrate intake as too much carbs will lead to fluid retention. It takes 300-400ml of water to store 100g of carbs.

Generally, if you run a test prop cycle (testosterone propionate), instead of DBOL you will get little to no water retention. The drawback (if any) is that you have to take "test prop" through syringe and needle as its half life in pill form prohibits oral intake.

End note: after testing both DBOL and Winstrol tabs extensively I am likely to go with WIN on the mission as it will lessen the water retention significantly. I may use 1 week of DBOL (10 mg tabs x 4 times per day) followed by 1-2 weeks of Winstrol (10 mg tabs x 4 times per day) prior to operation. I may increase the dosage to 50 mg per day since I didn't notice any side effects while using 40 mg. Just remember; never use alcohol when on steroids and always couple the above with 3 tabs of Milk Thistle per day for additional liver protection.

Using stimulants – Ephedrine + caffeine mix (“Stack”)

Ephedrine

When administered, ephedrine will notably increase the activity of the central nervous system, as well as have a stimulatory effect on other target cells. This will produce a number of effects beneficial to the user.

The stimulant effect of the drug will also increase the force of skeletal muscle contractions. For this reason ephedrine is commonly used by athletes as the resultant strength and energy increase will clearly improve performance. It will also provide a notable mental edge, as the user is more energetic and better able to concentrate on the tasks ahead.

It is important that this compound not be used continuously as its effect will diminish as the body becomes accustomed to the drug.

Side effects can be: shaky hands, tremors, sweating, rapid heartbeat, dizziness and feelings of inner unrest. Often these effects subside as the user becomes more accustomed to the effect of this drug. As long as you don't use ephedrine on an empty stomach this shouldn't be a problem.

Stack (Ephedrine + caffeine mix)

New studies indicate that ephedrine works best when ingested along with caffeine.

Ephedrine combined with caffeine has proven to be a powerful stimulant increasing physical performance by approx. 39%. Heart rates were slightly higher with the ephedrine-caffeine combo, but any physical workout will feel considerably easier.

It's important that you test it out a few times to ensure that your body can handle it well with the desired effects (don't use it if you have a heart condition).

Products containing ephedrine, caffeine (and often aspirin) is legal in many European countries and are selling under various brands: Stack 2, Stacker 2 among other names.

Personal note: I've used “Stack II” occasionally for several years. Especially during the period when I used to work long hours (12 hours per day). I can personally attest to the fact that it is an amazing stimulant. Obviously, it's not healthy which is why I only used it for a couple of years, after that only rarely.

Acquiring the ECA stack stimulant in Europe - ephedrine (E), caffeine (C) and aspirin (A) combination stack

After the EU and US ban on ephedrine products it is now practically impossible to acquire the ECA stack legally (ephedrine, caffeine and aspirine combination stack). They have even banned these products in Thailand. So unless you have some hardcore globetrotter bodybuilder contacts you will want to consider making this ECA stack yourself using base materials. Trust me when I say; you WANT this enhancer for your operation as it will significantly increase your strength, agility and focus with up to 30-50% for 1-2 hours after taking 1 capsule. This enhancer, in combination with a steroid cycle, will increase your physical and mental abilities by up to 100% transforming you into an unstoppable one man army when used in combination with proper training and a full range of body armour and weapons.

Tips and tricks when creating your own ECA stack (tips credited to Swathorne):

It is important to emphasize that you should purchase pure ephedrine and not ephedra. Be wary of products sold over the internet that contain the natural ephedra extract. These may also be advertised as containing Ma Huang. Ephedra products could contain toxins or defects especially considering that the products may have been produced in countries with little to no regulation on ephedrine products. Pure ephedrine is less likely to bring about negative side effects due to its lab produced nature and the regulation placed upon its distribution.

Any product containing ephedrine hcl that is sold as an over the counter drug in a pharmacy is pure ephedrine. I strongly recommend purchasing pure ephedrine and doing so in person at a pharmacy or from a reputable pharmaceutical company and merchant online. As always I remind the readership that you use ephedrine hcl at your own risk and even though it is an over the counter drug it can still be dangerous if used irresponsibly. Remember to always drink a lot of water when using and never use ephedrine if you have a heart condition!

It is often advisable to create your own simple ECA stack using pure ephedrine and pure caffeine that you can physically see and administer themselves rather than buy a magic pill off the internet that contains some blend of ephedra products and whatever other questionable supplements or herbs the manufacturer put into a capsule. Caffeine aids ephedrine by enhancing the body's thermogenic response to ephedrine.

How to acquire pure ephedrine, pure caffeine and aspirin

Many bodybuilders, fitness enthusiasts and other individuals are now creating their own ECA stack for the intention of using it as a weight loss supplement. Ephedrine hcl, this over the counter nasal decongestant, is simply a purified form of the ephedra found in many of the well thought of weight loss pills before the ban. You create your own ECA stack by purchasing ephedrine hcl, caffeine, and aspirin online or at convenience/drug stores.

- Ephedrine hcl tabs can only be bought legally in the US, the UK and Finland. It is very hard to acquire in all other Western European countries. Ordering online will therefore be the most convenient way to get it. Popular brands of ephedrine HCL include Vasopro, Bolt, and Primatene. Typically ephedrine HCL comes in doses of 8 mg, 12.5mg, 25mg, or 30mg. For ephedrine weight loss 25mg is recommended. If you have problems acquiring ephedrine in Europe, it is sold in Walgreens in the US so you might want to visit the store if you are going to the US for any other purpose (to buy body armour or AP-light projectiles for self loading).
- Buy 200 mg caffeine pills from your drug store/vitamin/herb shop
- Buy aspirin from any store

Abuse of ephedrine can result in serious side effects so please use caution when choosing the right dosage. Remember to test your tolerance for the ECA stack so that you are guaranteed a proper dose during your operation (not too much, not too little). Taking too much ephedrine in you ECA stack too early on can result in dangerously high blood pressure and if you fail to drink anything after taking a stack you may feel you are about to faint. You may want to use the ECA stack for a whole week before the operation in order to ensure you can measure your exact tolerance level.

Start out using half the recommended dose of ephedrine hcl and work your way up. Never overdo it as it's not worth risking.

Just ensure that you research proper dosing. Personally, I would take one dosage 20 minutes prior to the initiation of the operation and another one 1,5-2 hours after that based on my condition.

Dosage

Typically the ECA stack is consumed two or three times per day in a 1:10:10 or 1:10:15 ratio of ephedrine:caffeine:Aspirin. Usually, no more than 25 mg of ephedrine, 200 mg of caffeine and 325 mg of Aspirin is consumed in a single dose. It is not recommended that the stack be taken past late afternoon as this may contribute to insomnia. Never take ECA stack daily for more than 4 consecutive weeks.

Using pure caffeine pills is recommended but ephedrine free diet pills like Stacker or Stacker 4 can be used in conjunction with ephedrine hcl and make a very effective ECA stack.

Status in the United States

In the United States, it is illegal to market products containing ephedrine or ephedra alkaloids as a dietary supplement. However, ephedrine itself has never been illegal in the United States and is currently available over-the-counter.

Status in the EU

Ephedrine and ephedra-containing supplements are currently banned in the European Union (exceptions are the UK and Finland). However, Ephedrine is currently available by prescription in several EU countries (it is bought in pill form as a nasal decongestant).

Alternative source:

http://en.wikipedia.org/wiki/ECA_stack

End note:

I first tried buying ECA in Sweden unsuccessfully (tried 2 bodybuilder stores who were rumoured to sell it under the counter). After a lot of research, I ended up ordering the products from the following site:

- 150 ephedrine 8 mg tabs – 29 Pounds <http://centurysupplements.com/ephedrine-hcl-150-tabs>
- 100 caffeine 200 mg tabs – 5 Pounds <http://centurysupplements.com/caffeine-200-mg-flat>

I ordered the products separately and did a test order with the caffeine tabs in order to confirm that their logistical method was safe. The caffeine shipment came flat-packed (vacuum packed, no noise and only 5 mm thick) in a discrete envelope (they look like a letter and are marked as natural herbal product/gift on the customs note on the backside of the letter).

I was concerned that the envelope shipment of ephedrine would also state: "natural herbal product" as this would be an invitation to open the package. However, the ephedrine envelope came completely without any notes.

So ultimately, both "letters" came through without any problems. Ordering online always involves some risk though. If the ephedrine shipment had been stopped in customs I would get a 750 Euro fine and the Norwegian customs would automatically press charges (although the case would be dismissed due to lack of police capacity), as ephedrine is labeled as a narcotic substance in Norway. The risk is minimal though (less than 3%) as the envelope shipment looks like a regular letter with absolutely no indicators.

When you have acquired the caffeine and ephedrine tabs just buy the aspirin at your local drug store, and buy empty gelatin capsules from your nearest herbal/health store (vegetarian gelatin capsules are common, buy the largest ones measuring 11-13 mm). Alternatively, you may order gelatin capsules from: capsuline.com.

Since I now have my ECA ingredients I'm going to test it using the following dosage:

- 8 mg ephedrine = 1 tab (NEVER take more than 25 mg in a single dose)
- 200 mg caffeine
- 250 mg aspirin

It should be noted that I am not unfamiliar with using the ECA stack. I used it a few years ago, when it was legal in Sweden, during my 12 hour work hours ("financial phase" from age 21 to age 25). Needless to say; they helped me endure a few years of 10-12 hour work days which facilitated and subsidized my subsequent "sabbatical years" which were dedicated to travel, writing this compendium and prepare for the later phases of the operation.

As for the final phase; as I have already acquired the ingredients for the ECA stack I made the capsules in the above mentioned dosage (I first tried with 8 and 16 mg but ended up with 3 tabs of 8 mg each. Test and increase/decrease dosage as suited for your body type. Keep in mind that you don't need a lot of ECA stack tabs. You should test out your tolerance beforehand, but limit your use to include the few days prior to the operation or else you risk building up a partial immunity to the substances. At the same time; you should ensure that you use it for a few days prior to operation so that you know that your body will tolerate your selected dose well.

If you don't feel like mixing your own ECA stack you may order pre-mixed stack tabs from the same site (centurysupplements.com). All of their ephedrine products and most of their ECA stacks are shipped flat packaged, except for the Lipodrene, Stimerex, ECA Xtreme and the Firestarter.

Marksmanship training

Target practise is likely going to be a problem for many people in certain countries (urban Europeans like us, ouch:). Consider taking a vacation to a country where you are able to train in marksmanship or join a gun club. Simulation by playing Call of Duty, Modern Warfare is a good alternative as well but you should try to get some practise with a real assault rifle (with red point optic) if possible. There are select 2nd or 3rd world countries that offer arrangements where you can practise with an assault rifle. Try avoiding Muslim and African countries (unless you are travelling in a group) as they are very racist/discriminating towards Europeans. There are security courses which is arranged by various security companies around the world as well. Lots of opportunities for those of us with creativity and enough cash:)

End note 1: I will try to order a one week "shooting vacation" in a Christian African country. I will try to find a "gun resort" with access to assault rifles. I may bring my own "red point" aim in order to get used to it.

End note 2: As i have now acquired a legal semi automatic Ruger Mini 14 I can legally practice at the gun range. Full auto training is not really required.

Packing gear

The Boy Scouts motto is the right one. Make sure you are physically and mentally prepared before you set out and pack the appropriate gear for what you plan to do.

Approximately 40 kg of equipment including full body armour, weapons and ammo.

- Lighter
- Bandage + tape)
- Small flash light
- Police radio with ear plug (optional)
- Portable gas mask (optional)
- Mini Ipod with your favourite playlist for moral boost (essential:)
- Cyanide capsule (potassium cyanide), tied in a string around your neck.
- 1 litre of water (camel back)
- 2 adrenaline shots

Include a bandage and duck tape to cover your likely needs in case of injury. It can ensure that you don't bleed to death.

Divide the operation into phases: entry phase, objective and recovery. Clearly state the aim of each phase and work out a time scale. Plan for emergency procedures such as vehicle breakdown, injury etc. Allow plenty of time when estimating the rate of progress. Pressure to keep to an over-ambitious schedule leads to exhaustion and errors of judgement.

Gain as much knowledge of the terrain as possible: know every street. Be prepared in case anything goes wrong. What will you do if a vehicle breaks down, what will you do if you get injured or flanked?

Facing disaster

It is no use giving up. Only positive action can save you. People can survive seemingly impossible situations if they have the determination. Do what you can to avoid system protectors (police forces) and complete your objectives. A Justiciar Knight never surrenders. If we are facing an impossible situation we rely on our armour and training and fight to the death if necessary.

Survival stresses

The survival situation will put you under physical and mental pressure. You will have to overcome some or all of the following stresses:

- Fear and anxiety
- Pain and injury
- Thirst and fatigue
- Boredom

Can you cope? You have to!

Self-confidence is a product of good training and sound knowledge. These must be acquired before you face a survival situation. Confidence will help you overcome the mental stresses. Physical fitness will give you the resources to cope with fatigue. The fitter you are the better you will survive. Start training now.



It is important to treat any injury as soon as possible, but pain may have to be overcome and controlled in order to avoid the risk of further injury or death.

Severe bleeding

An adult has up to 6 litres. Loss of 0,5 litres of blood causes mild faintness, 1 litre causes faintness, increased pulse rate and shallow breathing. 1,5 litres leads to collapse, more than 2,25 litres can be fatal. Immediate steps must be taken to stop the flow of blood. Internal bleeding may not be apparent. If severe, it often leads to shock and can kill.

Bleeding from veins and capillaries can be stemmed by simple pressure over the bleeding point, with or without a dressing. Ideally the wound should be covered with your bandage and taped to prevent blood loss.

3.36 Safe storage of equipment in remote caches (elimination of evidence)

In general, equipment clearly associated with clandestine operations should not be stored in your home and/or secondary safe house. It is your responsibility to avoid being linked to anything incriminating. This goes for lofts, outhouses or any space related to the above. Counterintelligence searches and sweeps usually focus on the area close to your home/safe house even the property of your closest relatives. Portable caches are clearly the way to go.

A minimum of 2 portable weapon/ammo/armour caches must be prepared.

Weapons, ammo and body armour caches:

Cache 1: primary and secondary weapon w. redpoint aim, ammo and grenades.
Cache 2: melee weapons, flame thrower (not tank) and a complete set of body armour parts including a bullet proof shield and a bullet proof helmet with vizier.

Explosive caches (if total of 2000-5000 kg):

Cache 1: 1000-2500 kg
Cache 2: 1000-2500 kg

Detonators should be stored separate considering the fact that they may contain electronic components.

Water proof storing devices for weapon/ammo/armour

Appropriate storage cases/containers must be used. High quality travelling cases with a hard "shell" are appropriate. The cases must be high quality in order to ensure that the content is unharmed (from water, moist etc).

Water proof storing devices for explosive caches

This will prove to be more challenging. Try to get a hold of water/moist-proof crates with protective shells and store it in an outhouse, underground or any other appropriate location depending on quantity.

Buy 2(3) water/moist proof storage cases

I spent approximately 12 hours researching various waterproof storage cases and ended up with three suitable alternatives; Pelican cases (US) and Explorer cases (Italy). I found Pelican cases to be the most viable option as a majority of models are available at significantly reduced prices through Ebay.

You want at least two containers - one for your weapons, one for your armour and alternatively, one secondary weapons/armour/equipment container. Considering the fact that you are going to store these two (three) cases underground (dug down 1-2 metres below the ground), the cases must be water and moisture proof and must be able to protect the equipment even after being stored for up to 2 years with temperatures which will vary from down to -20 to 5 degrees Celsius.

Pelican cases are very suitable in this regard and they are considered to be one of the world's toughest watertight protective cases.

Specifications – all Peli cases

- The cases are made out of a Polypropylene copolymer material that is light weight, durable and highly chemical resistant.
- There is an o-ring in the lid and a Gore-Tex membrane in the pressure equalization valve that keep water out of the case.
- Automatic pressure-purge valve. The Pressure Equalization Valve is a simple device. It consists of a housing with a hole through it that is covered with a thin Gore-Tex membrane. According to the Gore-Tex sheet: "The microporous expanded polytetrafluoroethylene (ePTFE) membrane continuously allows the free passage of gases and vapours, equalizing the pressure differential between the enclosure and ambient before it builds to the point that a seal is compromised. Water, dust and dirt are repelled by the hydrophobic membrane, thereby protecting expensive and sensitive equipment".
- The o-ring is made of EPDM or Ethylene Propylene Diene Monomer. It is well known for its excellent ozone, weathering and aging resistance. It also has excellent water and steam resistance, maintains its flexibility at low temperatures, features excellent resistance to alkalis, acids and oxygenated solvents and is very colour stable. EPDM is found in a wide range of applications and is excellent for use outdoors.
- The cases will withstand temperatures from -23.3°C (-10°F) to +98.9°C (+210°F)
- Neither dust nor water can penetrate this barrier and all Pelican cases are absolutely airtight.

The following models will suit your needs:

Weapons container (W)

One of the longest assault rifles, the AK 47, is 89 cm in length so you want a container which is at least 100 cm. Also, the same container will be used to store your secondary weapon, clips, red point aim and ammo so the storage capacity of the container needs to fulfil those storage requirements.

Review of Peli cases: green indicates optimal size, blue is appropriate while red indicates an unsuitable size.

Peli 1720: 107 cm length x 34 width x 13 depth (optimal for W)

Peli 1780: 108 x 56 x 38 (optimal for T)

Peli 1750: 128 x 34 x 13 (too large but ok)

Peli 1740: 104 x 33 x 31 (high depth but ok)

Peli 1700: 91 x 35 x 13 (too small)

Peli 1730: 86 x 60 x 31 (too short)

Peli 1770: 138 x 39 x 22 (too large)

Armour container (A)

You will need sufficient room for a complete set of body armour parts, police insignia, including a small to medium bullet proof shield and a bullet proof helmet with vizier. You should also have enough room for melee weapons and a flame thrower in case your fail to complete your mission involving the acquirement of a conventional WMD.

Peli 0370: 61 x 61 x 57 (very good, extra protection not needed though)

Peli 0500: 88 x 46 x 64 (same as above)

Peli 1630: 73 x 55 x 38 (very good, minus depth)

Peli 1640: 60 x 60 x 35 (very good, minus depth)

Peli 1660: 74 x 52 x 44 (optimal but too large to ship for USPS)

Peli 1690: 78 x 65 x 39 (very good)

Peli 1610: 56 x 43 x 27 (appropriate)

Peli 1620: 56 x 43 x 32 (appropriate for A)

Peli 1780: 108 x 56 x 37 (appropriate)

Peli 1730: 86 x 60 x 31 (not deep enough)

Peli 1770: 138 x 39 x 21 (not deep enough)

Peli 0340: 45 x 45 x 40 (too small)

Peli 0350: 50 x 50 x 47 (too small)

Peli 1550: 48 x 36 x 19 (too small)

Peli 1560: 51 x 38 x 23 (too small)

Peli 1600: 55 x 42 x 20 (too small)

Peli 1650: 72 x 44 x 26 (too small)

I ended up ordering a **Peli 1720** (with foam) for weapons, a **Peli 1620** (without foam) for armour and a Peli 1780 (without foam) as a secondary weapons/armour/equipment cache. These three cases would cost me a total of 2250 Euro if I purchased them from a local store (or 1500 Euro if I ordered them from the UK). Since I ordered them through Ebay (a seller in Cali, US) I managed to all three items (new) for only 630 Euro including shipping.

You should add a couple of desiccant silica gel packs in each case (a crystal that absorbs moisture) before you bury them and perhaps wrap each container in plastic:

Peli Desiccant Silica Gel (retail for 5 USD each, Ebay is your friend)

Peli Desiccant (Silica/Gel) absorbs dampness, prevents condensation from trapped air. This is a neat self-contained desiccator you can put in your case, to remove moisture from the air.

“The third equipment cache (T)”

“The third equipment cache” is in reference to an optional third storage depot which should contain a primary and a secondary weapon with silencer/red point aim, 1-3 shock/splint grenades, armour penetrating ammunition, primary body armour, nutrients and stimulants (food/1-2 litres of water and a “camel back” to carry it in/1-2 Red Bulls,

2-3 Stack/ephedrine pills), 1000-5000 Euros, basic survival equipment: stop-watch, lighter, knife, compass and a good map of the county/area/country in case you need to travel through forests to avoid potential road blocks. You may have to sleep under the stars for a couple of nights so consider adding a small, compact sleeping bag with some water protective material which will allow you to create an improvised tent. You must also include a back pack which will allow you to carry the above equipment and warm clothing/a disguise (a police uniform with forged police insignia/ID, mustache, glasses and a police cap/hat). If you encounter anyone it will be easy to explain that you are in pursuit of the suspect (the news story which explains that "you have escaped" will therefore act to your benefit as it will give credibility to your "cover story". This equipment/gear will allow you to get to safety so that you may be able to execute the bonus mission, in a scenario where you manage to escape from prison. You must also remember to properly conceal a shovel close to the storage location as you will use it to dig up the actual container when the time comes.

This depot is intended to work as a cache in a scenario where the Justiciar Knight survives his operation and where he faces apprehension and subsequent incarceration. When incarcerated, the Justiciar Knight should do everything in his power to escape from prison. If he succeeds, he may initiate a "bonus operation" which consists of the assassination of 3-5 primary category B traitors/multiculturalists. Prior to his arrest he must acquire at least basic intel on his targets (picture, address, full name) so that he may execute his operation in a timely and professional manner (the 3-5 executions combined should take no longer than 1-3 hours). After the escape from prison and after the equipment is retrieved; the Justiciar Knight will expropriate a vehicle from a civilian and initiate his mission (if you fear there are road blocks you may want to sleep camp in the forrest for 1-2 days). It is essential that the Justiciar Knight memorises the intel and container location prior to apprehension.

As for selecting the location for the container; you may want to consider choosing a storage location in close proximity to your country's most secure/high tech prison facility. This advice may however be counter productive as the system protectors of your country will acquire this intel and may implement counter measures. When incarcerated, the Justiciar Knight should publish his execution list on his blog (through his communications proxy on his support page/Knights Templar page) – 5 names. However, it must be noted that the publishing of the names is a PR stunt which is intended to influence the given individuals politically. As such, the 5 named category A or B traitors should not be hardened Marxists (as it is not realistic to influence them as they are often willing to die for Marxism) but rather suicidal humanists or career cynicists. This way, the publication of the names is likely to influence the individuals which may result in them officially changing political standpoints or resigning from office. This way, the Justiciar Knight through this very effective media stunt, is able to influence national politics in a positive way from the inside, prior to his escape. The published list of 5 names should include a disclaimer which explains that they may be taken off the list if they denounce their multiculturalist/pro-Islamisation views. The true list should not contain these listed individuals as they are likely to be placed under armed police guard shortly after the point of your escape. Approximately 10-20 of our most attractive targets in given country are likely to be under armed police guard so choose 5 targets that are not likely to be selected for armed protection. The actual 5 targets may be any category A or B traitors; hardened influential Marxists, or multiculturalist career cynicists or suicidal humanists.

End note: to any prison guard, police officer or other law enforcement officer reading this; know that it is your duty to indirectly facilitate any and all Justiciar Knights (look the other way when the time comes, blame incompetence or ignorance). You should know by now that we, the patriotic Justiciar Knights, are fighting the good fight, YOUR FIGHT, for you, so that you and your family may have a chance to live in a future society that is not suffering under or is controlled by Islam. If you contribute to the persecution or apprehension of a Justiciar Knight, know that you are not only betraying your country,

your people, your culture, your identity and your ancestors. You are betraying your self and your children as well! So when the time comes, look the other way. That is all we ask.

Cache locations:

These portable cases should be dug down in locations where you will have access to them (not necessarily easy access). Location should be in the most deserted location possible, optimally where no one is allowed to walk freely (national parks – private forests, areas with limited access and where there are few metal detector enthusiasts). Save the encrypted GPS coordinates for each location at a safe place (not in your home/safe house).

Tips for securing a case underground/creating an underground cache:

Estimate at least one full day, preferably two full days. You're going to be completely exhausted after 5 hours of hard labour so it is better to budget two full days. Just remember to cover the site properly after day one.

Bring the following gear:

Solid digging shovel (rectangular shovel heads won't do), saw (for cutting underground roots if needed), large backpack, compass, GPS (optional, depends if you are 100% certain you will remember the location or not), pen/paper, proper clothing and boots (Skins compression leggings + long sleeve worked great), mosquito net/oil, at least 3 litres of water, enough food, 4 x 4 meter plastic cover to store the unearthed dirt on (this is also important in relation to covering your tracks), working gloves (to avoid blisters and to dig by hand in certain contexts if needed), a knife and a large plastic bag to cover the case before you refill the hole.

Additional tips:

- For Justiciar Knights in countries who lack large desolate forests (basically every European country, the UK and Ireland included) you should dig during night time (from dusk until dawn) in a national park to ensure privacy. Choose weekdays instead of weekends as many people are hiking on Friday and Saturday. Also, you should try to select a site far from any trail as there are many hikers with dogs. Also, keep in mind that most metal detectors has a limited range of 1 metre so choose your location carefully. It is critical that no one sees you during this process as it would be an invitation to loot your dig site at a later point in time. If you are spotted before you are able to conceal the site, you basically have to cancel the digging operation, retract your load and start the process all over again at another site.
- You don't have to necessarily dig vertically. It can be time conserving to dig semi-horizontally if the terrain allows it (this was actually what I ended up doing to save time).
- Budget at least 1 full hour for the "concealment phase". It is ESSENTIAL that you cover your tracks properly: compress the dirt you are refilling (by applying pressure with your boot) to avoid unevenness in the soil after the first rainfall. Then, conceal the dig site with leaves and branches in a natural looking way.
- Finally, re-bend the branches and bushes you might have bent during the process

Nevertheless, I'm still concerned that somehow water will break the air tight rubber seal on the case as it is currently underground, but I rest assured that the Pelican guarantees are correct.

Storing and securing of other incriminating information/items

You should never be in possession of incriminating information, plans, schematics etc. Memorise vital information to avoid being in the possession of "physical evidence". Consider getting an "*electric hard drive destruction device*". Bashing your "hd" with a sledgehammer or submersing it in liquids will not suffice. You must do everything possible to avoid being in possession of critical communications or other material. Electronic information you need access to at one point should be stored in mobile storage pins and extremely well hidden. At one point or another you will be in possession of incriminating items or information. Make sure that you immediately relocate these items/electronic information to external safe caches which can not in any way be linked to you (if they are discovered). Avoid leaving fingerprints or dna on such items if possible.

Preparing explosives

Once you have all necessary components in order to create the explosive devices plan ahead of the launch date. Budget a set amount of days for the assembly of the bomb prior to the day of operation. For example; day of operation is February 7th on a Monday. Plan ahead and make sure you have sufficient time to assemble the bomb.

You should have a lock-up garage or another appropriate "safe location" for preparing and arming the explosive devices. Optimally, it should not be the same location as you use for storage of other equipment.

Making a test device

You need to make a test device (mini-bomb) to ensure that you have understood all processes and to test the materials/components you have gathered/made. The test version should not exceed 50 kg. Find a remote area far away from any city (police station, road cameras etc). Detonate, inspect the location (gather up any wires etc, conceal the "whole" if possible) and get away from the location as fast as possible. You should plan an advanced exit strategy.

Providing equipment – weapons, ammunition, armour and explosives

In preparation of operations the gear and equipment will be gradually acquired as it will be difficult to acquire everything on demand. This process can take from 2-24 months depending on the desired equipment.

Weapons, ammunition, armour

There are two different approaches you can use when attempting to acquire weapons/armour/explosives. Using other European nationalist organisations or using criminal networks. The most pragmatic approach would probably be by using the latter. The reason is that many nationalist organisations are thoroughly monitored by National Intelligence Agencies. The approach you wish to go for is entirely up to you. Be prepared for some failures when pursuing this mission (if you don't have any contacts).

End note: It is possible to buy certain armour through Ebay and similar services. Keep in mind though that it is often not allowed to sell "complete armour" so you have to buy carriers (empty vests with no plates) from one provider and plates (metal, ceramic or

Honeywell Goldflex plates from a separate supplier. These plates are often sold as 25 x 30 cm. You should try to get larger if possible and you should choose at least III3 plates (protects against most threats with the exception of riffle shots and greater) or III plates (protects against riffle shots) plates. There are a lot of options out there. Trauma plates (placed behind the ballistic plates), and even ballistic shields and ballistic helmets with visors are also occasionally available. Just check thoroughly over a period and you should be able to find new items and second hand items. You may also use certain mercenary stores which should offer many if not all items. You may have to create a cover in order to use certain providers. You may have to design your own armor by redesigning existing second hand items in combination with ballistic plates (you should have more protection than 2 plates, which should include leg, shoulder, arm, neck protection). I cannot give more insight at this point due to the fact that I have not started the weapon/armour acquirement phase. Be very careful when ordering through the postal service as they may check the packages on delivery and send a warning to the authorities in a worst case scenario.

3.37 Using foreign "black markets" when acquiring equipment

Travel to any Western or Eastern European major city. If you are a French citizen for example, keep in mind that you want to avoid any interaction with groups in your own city as your local police force might be able to identify you and cross reference you with watch lists. Your national police force has many informants among criminal networks and/or nationalist orgs so avoid your own country as base for acquiring equipment. You might consider avoiding your neighbouring country as well (depending on your country of origin ofc) as individuals can identify your nationality or identity. If your nationality is uncovered and the information passed on to the local police department, they can risk being identified (by using customs info/air line etc). If possible, purchase a fake id (passport, bank ID or drivers licence) in your own country and use it if you need to deceive anyone abroad. Never carry both id's on you at the same time (during any arms transaction). Never travel by plane. Rent a car in your country and drive to your destination.

If you are unsuccessful in acquiring the desired equipment and are getting desperate you can try contacting Nationalist organisations in the following countries:

Serbia
Russia
(Armenia)

Using criminal networks

Approach criminal networks cautiously and try to locate a local black market arms dealer. Present yourself as a gun collector. You might want to use a middle man/straw man for the actual transaction (a local drug dealer or any suitable individual and compensate him with a fixed or percentage based fee. Attempt to complete a "test transaction", in order to verify your intermediary's level of trust. Be prepared for the worst, do not carry large cash amounts (many will have nothing to offer and will try to rob, scam you). Do not reveal your political convictions as many European criminals are Albanian Muslims. Criminal networks usually have better equipment for sale than nationalist orgs. Try to avoid Muslim criminal organisations if possible.

Make for example 4 separate transactions

1. Glock 17 + silencer
2. Assault rifle
3. Special ammo (armour pen/dumdum)
4. Splint grenades/shock grenade

Using nationalist organisations/individuals

Very often, one of these is willing to be an intermediary on behalf of you (if he partly or fully supports your political ideology). Obviously, don't tell any potential NS that you are pro-Israel etc. as he might view you as a hostile.

Lodging and cover stories when travelling abroad

First of all, have a valid alibi (cover story) before visiting any specific European target city. Preferably attend a conference of some sort which might legitimise your stay (for post/present reasons).

Rent a hotel or apartment using your fake passport/id. Use your real id when approached by public agents (customs included).

Buying illegal accessories online

Never buy or order online using your real address or name. If customs stops a shipment, questions might be raised and you risk being put on a "security watch list" which can compromise you at a later stage.

Do not use email, mobile phones or any technological device in any of the transactions (as they are too easy to monitor). Use person to person approach or a middle man.

Acquiring explosives materials

It will be necessary to gather together demolition materials for the destruction of buildings or other static targets.

Large explosive devices (2000-5000kg) are made with high grade fertilisers (ammonium nitrate) mixed with diesel (or more potent fuel such as jet fuel or optimally nitromethane); today's explosive of choice is semtex, dynamite, TNT, Petn rdx, PETN (Pentaerythritol Tetrabitrate), hydrogenperoksid, NM/HNO₃, APAN.

NOTE: while writing this I have not yet initiated the research phase for explosives so the above info is speculative on my part and I am unable to provide details at this point.

3.38 Services offered by European criminal syndicates/networks

The PCCTS, Knights Templar does not condone criminal activity in any way or form as a general principle, as our goals are purely idealistic. However, "expropriation of resources" may be tolerated during wartime as long as the funds are used for the struggle and the targets are, preferably, defined as a hostile entity or directly or indirectly facilitating a hostile entity. Considering the fact that Europe is in the first phase of a civil war, we actively seek the services of patriotic or apolitical criminal syndicates/networks as it benefits our cause. Criminal networks that facilitate us or any other National Resistance Organization are likely to be granted leeway under a future regime. There will be "black markets" in every society whether we like it or not. Criminal syndicates have existed since the Roman Empire and groups will continue to exist in the future as well. The only thing that is humanly possible to regulate is which players will be allowed to play and how large the supplier side will be allowed to be.

If it comes to our attention that a certain criminal network is actively working against us or any other resistance organization, an individual Justiciar Knight, or is facilitating law enforcement agencies in their pursuit for Justiciar Knights, that criminal network can rest assured that they will be completely wiped out when the situation permits it sometime in the future, or when there is a future regime change. A Justiciar Knight should never waste his energy on "payback operations" against criminal networks, if he is unlucky enough to be robbed or sold out to law enforcement. The correct way to approach the problem is to focus on getting released, post a report about that specific network, and continue on the primary mission. The Justiciar Knight may forward his "report" to various nationalist networks where he asks that the given network/individuals are flagged for anti-patriotic activities so that they may be black listed. A criminal network with a bad reputation should be avoided.

Patriotic resistance movements will be positively inclined towards European networks: certain networks of the Russian mafia, a majority of networks within the Italian mafia, national networks and biker networks.

Networks that should be avoided: Muslim networks, Albanian mafia (Muslim), Rom networks (these are already flagged for future termination).

A short risk analysis of various criminal networks

Russian mafia

Depending on which sub group you are dealing with, they can turn out to be everything from apolitical Christian Russians to Islamist sympathising Chechen criminals. Use extreme caution and try to avoid the Chechens.

Can provide: depending on group, everything from low quality weapons to high tech weapons, armour penetrating rounds, chemicals used for chemical/biological weapons, TNT, dynamite, semtex, jet fuel, nitro even nuclear components.

Certain organisations of the Russian mafia may prove to be valuable allies especially in phase 2 when more complex cells and operations are required.

Biker gangs – 1%

The safest bet for acquiring weapons and certain components. A majority of biker gangs are nationalist orientated (right wing). Only certain individuals in a few European

chapters (the largest ones) can provide quality weaponry and certain other components. However, they can be given contracts to rob component depots etc.

Albanian mafia

Although members of these groups are relatively apolitical it is generally advised that Justiciar Knights avoid dealing with any Muslims. Muslim Albanians are relatively ethnocentric/anti-European. They may try to rob you.

Muslim mafia (Pakistani, Turk, North Africa, Somalia etc.)

Although members of these groups are relatively apolitical it is generally advised that Justiciar Knights avoid dealing with any Muslims. Muslim criminals are usually quite ethnocentric/anti-kafr. A majority of them hate Europeans and they may try to rob you.

European criminal network hubs - Czech Republic and Hungary

Central Europe and especially the Czech Republic and Hungary, are used as centres for coordination, communication and conciliation between very powerful international crime syndicates, which have managed to install their HQs of their operations and gain access in the heart of the EU.

The Czech Republic is an economically and socially developed country in Central Europe that has been facing for years serious issues relating with the activities of organised crime. Local security authorities relay in their reports, that they are facing some 100 organised groups in the country with at least 3,000 members.

Alongside, other 5,000 people have auxiliary roles in these organisations which are also staffed by accounting, legal and other professional functions. Of all these criminal groups, 30 are integrated and internationalised, reaching the gold standard of the "International Mafia" with diverse activities in many countries around the world.

Local leaders of criminal networks are nationals of the former Soviet Union and especially Russia, Ukraine, Georgia and Moldova. Also Croats, Serbs, Albanians, Bulgarians, Romanians, Vietnamese and Chinese make up the majority of the groups.

Top 10 criminal organisations are as follows (bold font indicates European activity):

- 1. Solntsevskaya Bratva (Moscow, operates in Europe as well)**
2. Yamaguchi-gumi (Japans largest yakuza organisation)
- 3. 'Ndrangheta (Italy, Calabria)**
4. D Company (India – ties to Islamists)
5. 14K (Hong Kong based Triad group but active intl, Europe included)
- 6. Sicilian Mafia (Italy)**
7. Dai Huen Jai/Big Circle Boys (China - ex-nationalists)
8. Tijuana Cartel (Mexico)
9. United Bamboo (Taiwan Triad)
10. The US Mafia 'The Five Families' (US)
- 11. The Albanian Mafia (EU)**
- 12. European biker gangs (1%)**

1. Solntsevskaya Bratva/the Russian mafia (Russia, Europe)[1]

Moscow's Solntsevskaya Bratva, known as the Brotherhood, have just been named the worst criminal gang in the world in a major survey. The Russian mafia is involved in everything from stolen art to smuggling of high tech weaponry and nuclear material. As of 1998, the Solntsevskaya gang contains around 5,000 members. The Brotherhood maintains relationships with many legitimate businesses, offering these groups 'protection' the gang also assist the businesses when it comes to not-so-legal matters.

Sub groups of the Russian mafia

Dolgoprudnenskaya (Долгопруденская) was a Russian mafia organisation and was considered one of the largest groups of organised crime operating in Moscow. It was really named after Dolgoprudniy, which is a Moscow suburb. It was founded in 1988 and was allegedly very influential.

The Izmaylovskaya gang (Russian: Измайловская группировка, from Izmaylovo District) was considered one of the country's most important and oldest Russian Mafia groups in Moscow and also had a presence in Tel Aviv, Berlin, Paris, Toronto, Miami and New York City.[17] It was founded during the 1980s under the leadership of Oleg Ivanov (Олег Иванов) and was estimated to consist of about 200 active members (according to other data of 300–500 people). In principle, the organisation was divided into two separate bodies—Izmailovskaya and Gol'yarovskaya (Гольяровская),[18] which utilised quasi-military ranks and strict internal discipline. It was involved extensively in murder-for-hire, extortions, and infiltration of legitimate businesses.

The Tambov Gang (Тамбовская банда) of Saint Petersburg.

The Obshina (Община, "community" in Russian), or Chechen mafia, was a formidable organised crime and paramilitary group. According to experts, ethnic Chechen criminal gangs once formed the most dominant minority criminal group in Russia. It is believed some gangs may have ties to Chechen militant factions

11. The Albanian Mafia[2]

The Albanian Mafia (AM) or Albanian Organised Crime (AOC) are the general terms used for various criminal organisations based in Albania or composed of ethnic Albanians. Albanian criminals are significantly active in the European Union (EU) countries, participating in a diverse range of criminal enterprises including drug and arms trafficking. Although the term "mafia" is often used as a description, it does not imply that all Albanian criminal activities are coordinated or regulated by an overarching governing body headquartered in Albania proper, Kosovo, Republic of Macedonia or elsewhere.

Albanian organised crime has its roots in traditional family-based clans called *Fis*. It heavily valued loyalty to one's clan and trust, or *besa*. Each clan ruled over and controlled a certain area. It is these principles of *kanun* that gave rise to Albanian

organised crime today, and make it more difficult for Albanian gangs to be infiltrated by law enforcement. Albanian criminals are said by police to be involved in everything from arms-smuggling to counterfeiting. But it is drug trafficking that has gained Albanian organised crime the most notoriety. Some Albanians are key traders in the "Balkan connection," the Istanbul-to-Belgrade heroin route and is therefore challenging the Russian mafia.

A very limited number of studies have tackled certain aspects of ethnic Albanian criminally in a methodical manner. In the latest report of the United Nations, it is said that the "Balkans are safer than Western Europe" and that "At present, the levels of crime against people and property are lower in the Balkans than elsewhere in Europe". The phrase; don't shit in your own back yard, comes to mind.

The ethnic Albanian mafia is very powerful and extremely violent. If you compare them to the Italian Mafia, the Albanians are stronger and not afraid of killing.

Activity in the UK

Albanian mafia gangs are believed to be largely behind sex trafficking, immigrants smuggling, as well as working with Turkish gangs who control the heroin trade in the United Kingdom.

Vice squad officers estimate that "Albanians now control more than 75 per cent of the country's brothels and their operations in London's Soho alone are worth more than £15 million a year." They are said to be present in every big city in Britain as well as many smaller ones including Telford and Lancaster, after having fought off rival criminals in turf wars.

Activity in Scandinavia

Albanian mafia clans in Norway, Sweden, and Denmark are suspected of being involved in arms smuggling, prostitution, heroin smuggling and armed robberies.

Ties to Islamists

It is a well known fact that the Muslim Albanian mafia facilitated the Muslims in the resistance against the Christian Serbs.

A Justiciar Knight should only deal with Albanian Mafia as a last option. Although most of them are Muslims, they are generally apolitical. However, if they identify you as being a nationalist or a Crusader they may kill you.

12. European biker gangs (1%)

Some motorcycle gangs engage in criminal activity known as the one percenters. Besides their connection with motorcycles, criminal motorcycle gangs are "unique among crime groups in that they maintain websites; identify themselves through patches and tattoos; have written constitutions and bylaws; trademark their club names and logos; and have publicity campaigns aimed at cleaning up their public image. What makes a gang like them different from the Mafia is that crime and violence are not used as a expedients in pursuit of profit, but that the priorities are reversed. Mayhem and lawlessness are inherent in living "The Life," and the money they obtain by illegal means is only wanted as a way to perpetuate that lifestyle.

The typical internal organisation of a motorcycle club consists of a president, vice president, treasurer, secretary, road captain, and sergeant-at-arms. Localised groups of a single, large MC are called *chapters*, and the first chapter established for an MC is referred to as the *mother chapter*. The president of the mother chapter serves as the president of the entire MC, and sets club policy on a variety of issues. Larger motorcycle clubs often acquire real estate for use as a clubhouse or private compound. These clubs often have security features such as closed-circuit television monitors, motion detector lights, and barbed wire-topped fences.

Outlaw Motorcycle Gangs are typically racially homogeneous, and can be racially exclusive. For example, membership in the Hells Angels is not open to African-Americans or Hispanics, which has led to creation of rival clubs such as the Bandidos and the Mongols Motorcycle Club. MC members are not usually referred to by their given names, but instead refer to each other by nicknames, or "road names", sometimes even displaying their road name on the club vest. Pagans, Hells Angels, Outlaws MC, and Bandidos are known as the "Big Four". The main characteristic of OMGs being "amoral individualism" in contrast to the hierarchical orders and bonds of "amoral familism" of other criminal organisations such as the Mafia.

Hells Angels, Bandidos, Outlaws, Warlocks - Europe

Criminal activities include drug trafficking, arms trafficking, conspiracy, extortion, murder, money laundering, trafficking in stolen property, witness tampering.

Hells Angels

Ethnicity: white

Allies: AK81, Aryan Brotherhood, Cali Cartel, Indian Posse, Iron Horsemen and Warlocks

Territory: 230 chapters (90+ chapters in Europe), 27 countries, 6 continents.

Bandidos

Ethnicity: white, Hispanic and Asian

Allies: Outlaws

Bandidos are estimated to have 2,400 members in 210 chapters (90 in Europe), located in 16 countries. Like the Hell's Angels, the Bandidos also have a number of puppet, or so-called "support," clubs, who are used as proxies for both legal and illegal activities.

European chapters in Belgium, Denmark, England, Finland, France, Germany, Italy, Luxembourg, Norway, and Sweden.

Outlaws

Ethnicity: white

Allies: Bandidos, Black Pistons, Mongols, Pagans and the Chicago Outfit

European chapters in Belgium, England, France, Germany, Italy, Northern Ireland, Norway, Poland, the Republic of Ireland, Russia, Spain, Sweden and Wales.

Warlocks MC

Ethnicity: white
Allies: Hells Angels

European chapters in England and Germany

General info about the UK criminal networks

UK dominated by British families despite influx of foreigners

An intelligence map drawn up by the leading police expert on organised crime identifies more than 1,000 active criminal networks and shows that gangland is still controlled by British families, despite the influx of crime syndicates from Eastern Europe and South-East Asia over the past decade. British gangs are quite unlike the Italian Mafia model or the Turkish groups. There are no set ranks, rules and structures. They are more fluid, flexible and opportunist. The intelligence picture was built up by Acpo working with the 43 police forces in England and Wales and other bodies. More than 15,000 individuals are said to have been identified as involved in organised crime. London has more than 170 gangs. Some have sophisticated hierarchies; others are little more than street-level groups.

In Liverpool, criminal networks are deeply embedded and run by a number of families whose tentacles spread well beyond the city. Merseyside criminals control the drug trade on the South Coast.

Manchester has established gangs such as the Longsight Crew and the Gooch Close Gang, while Birmingham has been dealing for years with the rivalry between the Johnson Crew and the Burger Bar Boys. Bradford is a centre for money laundering and a major distribution point for heroin by British-Pakistani gangs.

Serious crime in Nottingham has been dominated by the Gunn family. Glasgow is the hub for the distribution of firearms in Scotland and the starting point for much of the heroin trade, which spreads as far north as Shetland.

Many foreign gangs active in Britain are based overseas and exploit the 11,000-mile coastline and security weaknesses at sea ports to smuggle drugs, guns and counterfeit goods into the country. Much of the media coverage of gangs has concentrated on turf wars and feuds, but serious criminal activity is focused on making money.

Career criminals prefer to work together when they have common interests. They will form loose coalitions, sharing their specialist skills in pursuit of the highest profit with the least risk.

Organised crime is driven by profit. Some 60 per cent of criminal groups are involved in drug trafficking, but many are multi-commodity organisations. If they can traffic drugs they can also smuggle counterfeit goods or weapons. They often form loose, amorphous coalitions - coming together for a particular venture, perhaps one group needs a skill which another specialises in.

A recent investigation in London uncovered an arms deal in which a Lithuanian gang had been trading handguns in return for an introduction to Colombian cocaine contacts. Another inquiry broke up a sex trafficking ring run jointly by Lithuanian, Albanian and Chinese criminals.

There are Mr Bigs, but the person you start out thinking of as the Mr Big is quite often not. These are people who are flying below the radar and you may not realise who they are for a long time. Significant criminal activity is being driven from within prisons.

All criminal groups are prepared to resort to violence when necessary to commit robberies, enforce protection rackets or secure drug deals. Firearms, which are seen as a tool and a statement of intent, are a priority. Some networks, notably newly arrived groups from Lithuania, have been established to service that demand.

1. http://en.wikipedia.org/wiki/Russian_Mafia
2. http://en.wikipedia.org/wiki/Albanian_Mafia

3.39 Sending announcements before an operation

You will need access to a computer with internet connection to use as propaganda outlets before your operation. If you are a solo cell you will have to find a good work around (considering you won't be able to distribute any "announcements" during or after an operation). Consider using a laptop which you will hook up to an external network for this purpose (use the Tor network/Ipredator). Many metropolitan areas have LAN zones where you can simply go and connect to the internet (allowing you to distribute your announcements). Optimally, you will send your announcements only seconds before you initiate the operation. In addition, you should carry an announcement on a memory pin during the mission. However, this should not be the only means of distributing your message. The people who will find this pin are working for the enemy and thus they will use any means necessary to discredit or undermine the purpose of the mission (by f example falsely crediting it to another organisation). You should also consider semi-shady spam centrals as an alternative. F example, you can arrange and pay for online services which involve the distribution of files at a set time. The files sent can be encrypted or disguised as something else. The risk here though is that the company or individual sending the files may read or get access to the information and may alert authorities. However, the forwarding of these files (which is to be re-distributed by that company/individual) can be done seconds before the initiation of the operation.

The smartest method however is to download the announcement in your Iphone or similar mobile device. Just before you engage, send your announcement to f example 10-500 pre-organised email addresses from your Iphone. It might be a good idea to turn your phone off afterwards to prevent them from triangulating your position after engagement.

3.40 Applying deceptive means in urban guerrilla warfare

1. Always mask your real goals, by using the ruse of a fake goal that everyone takes for granted, until the real goal is achieved. Tactically, this is known as an 'open feint'; in front of everyone, you point west, when your goal is actually in the east. By the time everyone realised it, you have already achieved your goal.

Usage: In the Second World War, the Allies' Operation Quicksilver created a phantom army in Kent complete with faked radio chatter which divided German attentions regarding the actual Allied armies and their intended objective of the Normandy landings.

Usage:

a. Call in a fake threat on Building x, letting them know that you intend to blow up the building if they attempt to evacuate the people.

b. Give the impression to police authorities that you are after cash, a few million Euro. Tell them to prepare the funds and order them to make a delivery at a defined location and time. This may allow you to conceal your real objective for a while. If the Police believe you are just another criminal after cash they will generally avoid armed confrontation and instead attempt to arrest you at a later point. If you however, inform them that you have no intention of coming out of the situation alive they will throw everything at you immediately. Deceit is the best approach.

c. Another strategy would be to consider making use of a remote detonation, burning car, or other forms of arson to attract attention to one location. Ensure that the enemy forces are heading for this location. By then, you will be on the opposite side of town and in the middle of the process of finishing your primary goal. This strategy might prove to be counter-productive in compact European cities depending on the nature of the operation.

d. If you are being pursued, move to primary target building (concentration of A and B traitors) and during the assault, announce on the police band that you are demanding a ransom and safe passage for sparing the hostages. Demand a fixed amount and means of transportation from the area/country. All this, while you continue execution of A and B traitors with your side arm (silencer). This may buy you several seconds or even minutes while you continue your primary objective.

2. Chameleon

Mask yourself. Either leave flamboyant traits behind, thus going incognito; or just masquerade yourself and create an illusion to fit your goals and distract others.

Usage:

a. Create and wear a police combat uniform replica. Make serious efforts in recreating credible insignias, ID and marks. Study media pics of SWAT agents from your country. This will create confusion and hesitation when engaging hostile agents and should buy you at least 1-2 extra seconds. These extra seconds will give you the edge you need in order to neutralise any potential threat (2 head shots). The police illusion will also act as a deterrent towards preventing potential civilian charges.

b. Vehicles (bomb trucks) - if needed, change the appearance of a vehicle in order to allow you to easier infiltrate hostile environments. It's amazing what tape and some spray-paint can do. Easy and cheap solutions may fool someone from long range but not in close range.

c. Give the impression that your cell is larger by attempting to forward misinformation on the police band or by other means.

3. When the enemy is too strong to be attacked directly, then attack something he holds dear. Know that he cannot be superior in all things. Somewhere there is a gap in the armour, a weakness that can be attacked instead.

Usage: The idea here is to avoid a head on battle with a strong enemy, and instead strike at his weakness elsewhere. The Prime Minister may have several armed body guards. This however is not the case with regular ministers. As for static objectives, it can be smarter to focus on less "armoured" targets. Instead of the Parliament building or Royal Castle, other high value targets (with less security) should be targeted.

4. Make a sound in the east, then strike in the west

In any battle the element of surprise can provide an overwhelming advantage. Even when face to face with an enemy, surprise can still be employed by attacking where he least expects it. To do this you must create an expectation in the enemy's mind through the use of a feint.

Usage: Same as 1. The idea here is to get the enemy to focus his forces in a location, and then attack elsewhere which would be weakly defended. This might prove to be counter-productive in compact European cities depending on the nature of the operation.

5. Hide a knife behind a smile

Charm and ingratiate yourself to your enemy. When you have gained his trust, move against him in secret.

Usage: For assassinations or for intelligence gathering prior to a mission. Infiltration of enemy organisations might prove an easy way to get close to otherwise impossible targets (prime minister or ministers) or to learn their programme. Getting a job at the youth camp connected to the largest political party is one way of doing this. The prime minister usually visits during summer season. Infiltration can take as long as 24 months.

6. Sacrifice the plum tree to preserve the peach tree

There are circumstances in which you must sacrifice short-term objectives in order to gain the long-term goal. This is the scapegoat strategy whereby someone else suffers the consequences so that the rest do not.

Usage: Just like Jihadi warriors are the plum tree of the Ummah, we will be the plum tree for Europe and for Christianity. The European people are the peach tree. We are sacrificing ourselves so that future generations of Europeans may continue to live in freedom.

7. Take the opportunity to pilfer a goat

While carrying out your plans be flexible enough to take advantage of any opportunity that presents itself, however small, and avail yourself of any profit, however slight.

Usage: Expropriate cars and/or use Muslim or cultural Marxist/multiculturalist human shields if needed.

8. Do not startle the snake by hitting the grass around it

Usage: Do not break any laws which will lead to a pursuit before initiating your primary mission. An imprudent act might give up your position or intentions away to the enemy.

9. Borrow a corpse to resurrect the soul

Usage: Take an institution, a technology, or a method that has been forgotten or discarded and appropriate it for your own purpose. Revive something from the past by giving it a new purpose or bring to life old ideas, customs, or traditions and reinterpret them to fit your purposes. Solo-cell systems in combination with martyrdom is the most efficient and deadly form of modern warfare. This strategy was adapted by Jihadist groups. And now we will be using it as well. It is even more valuable to us as we enjoy more "invisibility" than individuals who have Arabic/Asian appearance and customs.

10. In order to capture, one must let loose

Cornered prey will often mount a final desperate attack. To prevent this you let the enemy believe he still has a chance for freedom. His will to fight is thus dampened by his desire to escape. When in the end the freedom is proven a falsehood the enemy's morale will be defeated and he will surrender without a fight.

Usage: A system protector who raises a gun against you must be shown no mercy. You can be assured that he will regroup with other agents as soon as you let him go. He will believe you may spare him and lower his gun if you defeat his unit (2 other individuals). Use this opportunity to neutralise him.

11. Avoid the servant forces and go for the neck of their chiefs

Usage: Very few of the servant forces (police/system protectors) are willing to sacrifice their life for multiculturalism or for the continuation of the Islamisation of Europe. In fact most of them sympathise with our goals (just not our means). Therefore, avoid the servant forces at all costs and focus only on high value targets. Many system protectors will falter or hesitate when pursuing you (if they are aware of your intentions). They might even deliberately let you proceed to your target.

12. Befriend a distant state while attacking a neighbour

It is known that nations that border each other become enemies while nations separated by distance and obstacles make better allies. When you are the strongest in one field, your greatest threat is from the second strongest in your field, not the strongest from another field.

Otto von Bismarck made the League of the Three Emperors and treaties with the British Empire and Italy in order to isolate France, from which he feared an attack.

Usage: Phase 3 strategy for creating European conservative hegemony.

13. Replace the beams with rotten timbers

Disrupt the enemy's formations, interfere with their methods of operations, **and change the rules in which they are used to follow, go contrary to their standard training. In this way you remove the supporting pillar, the common link that makes a group of men an effective fighting force.**

Usage: Phase 1 urban warfare. You are wearing a police uniform and hand signalling to "a fellow system protector", then use "Thrust of the Martyr" and neutralise them without hesitation.

14. Make the host and the guest exchange roles

Usurp leadership in a situation where you are normally subordinate. Infiltrate your target. Initially, pretend to be a guest to be accepted, but develop from inside and become the owner later.

Usage: This is the basic strategy of Islamic Demographic Warfare currently being waged by the Global Islamic Ummah.

15. The Empty fort strategy

When the enemy is superior in numbers and your situation is such that you expect to be overrun at any moment, then drop all presence of military preparedness, act calmly and appear disrespect of the enemy, so that the enemy will think you have hidden huge power and you want to trap them into the fort with your calm and easiness. This has to be used

when in most of the cases, you do have huge power hidden under the disguise and you only play the real empty rarely. Use this against people who are really smart

Usage: If you are being pursued, move to primary target building (concentration of A and B traitors) and during the assault, announce on the police band that you want the police force to storm the building immediately (they will assume you have rigged the place and hesitate). This may buy you several seconds or even minutes while you continue your duties. All this, while you continue execution of A and B traitors with your side arm (silencer).

16. If unable to retreat or to complete your mission, move on to the last objective - die honourably in combat

Usage: If it becomes obvious that your current course of action will lead to certain capture, then assault their weakest flank (TotM). If completely surrounded, take a hostage. If you are badly hurt and unable to make a last push, then use your cyanide capsule.

3.41 Western European primary targets (Phase 1)

Concentrate on massive and compact buildings that are vulnerable to a "single source" blast/assault. We must ensure that a maximum number of category A, B and C traitors are hit with a minimum of civilians. Specified targets fit that profile:

Prioritised targets:

- MA100 political parties - cultural Marxist/multiculturalist political parties. Prioritised targets include HQs or annual meetings of MA100 political parties
- Annual media conferences (concentrations of journalists, 500 journalists +)
- Category A and B traitors (individual executions/assassinations)
- Major EU HQ's (Brussels or elsewhere in Europe)
- Government buildings with high concentrations of category A and B traitors
- Any major "cultural Marxist/multiculturalist" building
- Any Western European state media channel HQ (cultural Marxist/multiculturalist propaganda centers)
- Any mainstream Multiculturalist media HQ (preferably left wing)
- Certain university/college faculties; faculty of journalism, sociology, political science. Also faculties housing so called "diversity or middle eastern studies. These are notorious cultural Marxist/multiculturalist nests for tomorrow's leaders. Target staff - professors/teachers/lecturers. Students are considered acceptable indirect targets as f. example 95-99% of journalism students will support multiculturalism indirectly/directly.
- Any major Muslim target (f example a stadium or large hall hosting a cultural event, where 2000+ Muslims are gathered). F. example during Id celebration at the end of Ramadan. This will result in massive Muslim rioting across the European continent which will be a substantial destabilising factor for many EUSSR regimes. It will also serve us well as it will contribute to polarisation and create further desired tensions within communities.
- Mosques and Islamic cultural centers

Let there be no confusion. The European Islamic Ummah is our most potent weapon in our fight against the establishment. Our objective in Phase 1 and 2 will be to manipulate this force by contributing to radicalise Muslim individuals.

This can be achieved by provoking and inciting them to choose the path of Jihad prematurely. The most efficient way of infuriating Muslims is to strike at their most prized "possessions", their women. Through deadly and strategic precision attacks (pin prick attacks) we will incite them to engage in violent riots and various forms of Jihadi activities prematurely. The media will have no choice but to cover it, and by doing so contribute to radicalise more Europeans. This spiral will polarise societies and more Europeans will come to learn the "true face of Islam" and multiculturalism. Islamic and European reactions will then escalate the situation (added catalysts) as more and more people will join both cultural conservative movements and Jihadi groups.

The future of conservative movements is directly linked to the development of Jihadi movements and/or Islam's influence in Western societies. It's a symbiotic relationship.

Targets:

The best target will without a doubt be during Ramadan, especially the Eid ul-Fitr (Id-ul-Fitr) the Muslim holiday that marks the end of Ramadan. It is celebrated starting on the first day of the Islamic month of Shawwal. There will usually be mosques reserved for either males or females during these events.

Attacking female groups is the only pragmatic approach as many of their husbands, sons, brothers and uncles would swear blood vengeance and subsequently join Jihadist networks.

More controversial targets:

- Major UN buildings in Western Europe – very tempting targets, but we should consider the fact that we might enrage nations not involved at that point by killing representatives from several "ally nations". At the same time, these operations will guarantee maximum press coverage (if this is a problem). The first experimental target will confirm if these types of targets are suitable. The international community might support a global "war on fascism" which might, in a negative way, add to our already large list of enemies.
- Historical government/parliament buildings (the first target will confirm if these types of targets are suitable).
- Royal castles etc. (should be avoided as a principle but can be targeted if the building is used as a hub for guests of the cultural Marxist/ multiculturalist regime or if massive PR is desired. The building should have lesser historical or cultural value. It may anger many moderate cultural conservatives and might prove counter-productive (the first target will confirm if these types of targets are suitable).

Targets which should be avoided:

- Historical buildings
- Buildings and sites with an unacceptable ratio/number of civilians.

3.42 Western European primary targets - Priority list

Target countries (Phase 1 operations based on situation per Q1 2009):

Strategic military targets:

Country	Percent Muslims	Priority	Stance
France	12-13%	Very high	Extr. Hostile
Germany	7-10%	Very high	Extr. Hostile
United Kingdom	5-9%	Very high	Extr. Hostile
Netherlands	8-12%	Very high	Extr. Hostile
Belgium	8-12%	Very high	Extr. Hostile
Sweden	7-10%	Very high	Extr. Hostile
Austria	5-7%	High	Extr. Hostile
Norway	5-7%	High	Extr. Hostile
Switzerland	5-7%	High	Extr. Hostile
Luxembourg	5-7%	High	Extr. Hostile
Spain	5-7%	High	Extr. Hostile
Italy	5-7%	High	Extr. Hostile
Portugal	5-7%	Moderate	Hostile
Denmark	5-7%	Moderate	Hostile
Ireland	5-7%	Low	Hostile
Greece	5-7%	Low	Hostile
Finland	2-4%	Low	Hostile
Iceland	2-4%	Low	Hostile
Cyprus	2-4%	Low	Hostile
Malta	2-4%	Low	Hostile

Public opposed to Islamisation in relation to successful Anti-Islamisation parties

It has been found that in the country where the public is the most opposed to immigration, Greece, there is no successful Anti-Islamisation party, but that in two of the three Scandinavian countries where the public is the least opposed to Islamisation, there are such parties although moderate versions.

France/Germany/UK

Merkel and Sarkozy are hesitant towards Turkey's EU membership and have slightly altered their anti-Islamisation (de-Islamisation) efforts from ridiculously suicidal to "only" significantly suicidal. However, this does not exempt them from their responsibilities as heads of state.

Only a significant political shift in either the UK, Germany or France can grant them temporary "immunity" from attacks.

Greece, Cyprus, Malta

The reason why Greece, Cyprus and Malta are still highly opposed to Islamisation is naturally because these three Western European countries have suffered unspeakable Islamic atrocities in the past. More than 500 000 Greeks died to genocides committed by the Islamic Ottoman Empire/Turkey less than 100 years ago. As for Cyprus, the Turkish invasion a few decades ago and the ongoing occupation can't be forgotten. As for Malta, they still remember when the Islamic Ottoman Empire enslaved Gozo's population a few centuries ago, in addition to other attacks from the Islamic world.

3.43 MA100 - political parties supporting Multiculturalism

The cultural Marxist/Multiculturalist Alliance (MA) of Western Europe "MA 100"

MA100 is an abbreviation for the "cultural Marxist/Multiculturalist Alliance 100". The term who describes the current Western European political establishment consisting of 100 political parties who indirectly or directly support the Islamisation of Europe through their support for European multiculturalism. These 100 political parties are also referred to as the "Multiculturalist Alliance" or "Eurabian alliance". The following overview lists all members in this "unofficial" political alliance. The overview lists every Western European political party who directly or indirectly support the Islamisation of Europe and/or the implementation of the EU's Eurabia project through their support for European multiculturalism.

For simplicity, only parties who have received more than 3% votes in national elections are included.

Norway

Cultural Marxists/suicidal humanists/capitalist globalists

Norwegian Labour Party (Det norske Arbeiderparti)
Conservative Party (Høyre)
Socialist Left Party (Sosialistisk Venstreparti)
Christian Democratic Party (Kristelig Folkeparti)
Centre Party (Senterpartiet)
Liberal Party (Venstre)

Denmark

Cultural Marxists/suicidal humanists/capitalist globalists

Social Democrats (Socialdemokraterne)
Radical Left Party (Det Radikale Venstre)
Socialist People's Party (Socialistisk Folkeparti)
Liberal Alliance (Liberal Alliance) A right-leaning social liberal party
Red-Green Alliance (Enhedslisten)

Temporary neutrality

Venstre (Venstre, Danmarks liberale parti)
Conservative People's Party (Det Konservative Folkeparti)

Sweden

Cultural Marxists/suicidal humanists/capitalist globalists

Centre Party (Centerpartiet)
Christian Democrats (Kristdemokraterna)
Green Party (Miljöpartiet de Gröna)
Left Party (Vänsterpartiet)
Liberal People's Party (Folkpartiet Liberalerna) (temporary immunity considerations)
Moderate Party (Moderata samlingspartiet)
Swedish Social Democratic Party (Sveriges Socialdemokratiska Arbetarparti)

Comment:

One of the countries which do not have cultural conservative/anti-Islamisation parties of significance.

Sweden Democrats is likely to become a significant party soon.
National Democrats (Nationaldemokraterna) is a mini party.

Finland

Cultural Marxists/suicidal humanists/capitalist globalists

National Coalition Party (Kansallinen Kokoomus)
Centre Party (Suomen Keskusta)
Social Democratic Party of Finland (Suomen Sosialidemokraattinen Puolue)
Left Alliance (Vasemmistoliitto)
Green League (Vihreä liitto)

Comment:

One of the countries which do not have cultural conservative/anti-Islamisation parties of significance.

Finnish People's Blue-Whites and Suomen Kansan Sinivalkoiset are micro parties.

United Kingdom

Cultural Marxists/suicidal humanists/capitalist globalists

Labour Party
Conservative Party
Liberal Democrats

Comment:

One of the countries which do not have cultural conservative/anti-Islamisation parties of significance.

British National Party (BNP) is a mini party.

Austria

Cultural Marxists/suicidal humanists/capitalist globalists

The Greens – The Green Alternative (Die Grünen – Die Grüne Alternative)
Austrian People's Party (Österreichische Volkspartei)
Social Democratic Party of Austria (Sozialdemokratische Partei Österreichs)

France

Cultural Marxists/suicidal humanists/capitalist globalists

Socialist Party (*Parti Socialiste*)
French Communist Party (*Parti Communiste Français*)
The Greens (*Les Verts*)
Democratic Movement (*Mouvement Démocrate*)
New Center (*Nouveau Centre*)
Union for a Popular Movement (Union pour un Mouvement Populaire)
Radical Party (*Parti Radical*)

Germany

Cultural Marxists/suicidal humanists/capitalist globalists

Social Democratic Party Sozialdemokratische Partei Deutschlands
Christian Democratic Union (Christlich Demokratische Union) Merkel
Free Democratic Party (Freie Demokratische Partei)
The Left (DIE LINKE)
Alliance '90/The Greens (Bündnis 90/Die Grünen)
Christian Social Union (Christlich-Soziale Union)

Comment:

One of the countries which do not have cultural conservative/anti-Islamisation parties of significance.

Luxembourg

Cultural Marxists/suicidal humanists/capitalist globalists

Christian Social People's Party (Chrëschtlech Sozial Vollekspartei)
Luxembourg Socialist Workers' Party (Lëtzebuenger Sozialistesche Arbechterpartei)
Democratic Party (Demokratesch Partei)
The Greens (Déi Gréng)

Netherlands

Cultural Marxists/suicidal humanists/capitalist globalists

Christian Democratic Appeal (Christen-Democratisch Appel)
Labour Party (Partij van de Arbeid)
Socialist Party (Socialistische Partij)
People's Party for Freedom and Democracy (Volkspartij voor Vrijheid en Democratie)
GreenLeft (GroenLinks)
ChristianUnion (ChristenUnie)

Belgium

Cultural Marxists/suicidal humanists/capitalist globalists

- Flemish

Christen-Democratisch en Vlaams/CD&V (Christian-Democratic and Flemish)
Groen! (Green!)
Lijst Dedecker/LDD (List Dedecker)
Nieuw-Vlaamse Alliantie/N-VA (New-Flemish Alliance)
Open VLD
Socialistische Partij - Anders/SP.A (Socialist Party – Different)
Sociaal-Liberale Partij (Social Liberal Party)

- Francophone

Centre Démocrate Humaniste/CdH (Humanist Democratic Centre)
Ecolo
Mouvement Réformateur/MR (Reformist Movement)
Parti Socialiste/PS (Socialist Party)

- German

Christlich Soziale Partei/CSP (Christian Social Party)
Partei für Freiheit und Fortschritt/PFF (Party for Freedom and Progress) -- part of the MR
Partei der deutschsprachigen Belgier/PDB (Party of German-speaking Belgians)

Switzerland

Cultural Marxists/suicidal humanists/capitalist globalists

Social Democratic Party (Sozialdemokratische Partei der Schweiz)
Christian Democratic People's Party (Christlich Demokratische Volkspartei)
Free Democratic Party (Freisinnig-Demokratische Partei der Schweiz)
Green Party (Grüne Partei der Schweiz)

Portugal

Cultural Marxists/suicidal humanists/capitalist globalists

Socialist Party (Partido Socialista)
Social Democratic Party (Partido Social Democrata)
Communist Party (Partido Comunista Português)

Left Bloc (Bloco de Esquerda)
Green Party (Partido Ecologista "Os Verdes")

Spain (2 party system)

Cultural Marxists/suicidal humanists/capitalist globalists

Spanish Socialist Workers' Party (*Partido Socialista Obrero Español*)

Consisting of:

- Socialists' Party of Catalonia (Partit dels Socialistes de Catalunya)
- Socialist Party of the Basque Country (Partido Socialista de Euskadi)
- Euskadiko Ezkerra
- Socialists' Party of Galicia (Partido dos Socialistas de Galicia)
- Socialist Party of the Valencian Country (Partit Socialista del País Valencià)
- Socialists' Party of the Balearic Islands (Partit dels Socialistes de les Illes Balears)

People's Party (Partido Popular)

Consisting of:

- People's Alliance (Alianza Popular)
- Democratic People's Party (Partido Demócrata Popular)
- Liberal Party (Partido Liberal)

Comment:

In Spain the scene of radically restrictionist parties is very fragmented and unstable. The leading but tiny restrictionist party Democracia Nacional has contested the last two Spanish general elections as the head of a coalition named Plataforma España and Frente Español.

Italy

Cultural Marxists/suicidal humanists/capitalist globalists

The People of Freedom (Il Popolo della Libertà)
Democratic Party (Partito Democratico)
Italy of Values (Italia dei Valori)
Union of Christian and Centre Democrats (Unione dei Democratici Cristiani e di Centro)

Greece

Cultural Marxists/suicidal humanists/capitalist globalists

Panhellenic Socialist Movement (Greek: Πανελλήνιο Σοσιαλιστικό Κίνημα)
Communist Party of Greece (Greek: Κομμουνιστικό Κόμμα Ελλάδας)
Coalition of the Radical Left (Greek: Συνασπισμός της Ριζοσπαστικής Αριστεράς)

Watchlist temporary neutrality

New Democracy (Greek: Νέα Δημοκρατία)

Ireland

Cultural Marxist/multiculturalist

Fianna Fáil (Soldiers of Destiny)
Fine Gael (Family/Tribe of the Irish)
Labour Party (Páirtí an Lucht Oibre)
Green Party (Comhaontas Glas)
Sinn Féin (We Ourselves)
Progressive Democrats (An Páirtí Daonlathach)

Comment:

One of the countries which do not have cultural conservative/anti-Islamisation parties of significance.

The Immigration Control Platform is a micro party.

3.44 Traitor – classification system - Category A, B and C traitors

“The nation is divided, half patriots and half traitors, and no man can tell which from which.”

Mark Twain

This classification system is used to identify various individual cultural Marxist/multiculturalist traitors. The intention of the system is to easier identify priority targets and will also serve as the foundation for the future “Nuremberg trials” once the European cultural conservatives reassert political and military control of any given country.

Any category A, B or C traitor is an individual who has deliberately used his or her influence in a way which makes him or her indirectly or directly guilty of the charges specified in this document: 1-8. Many of these individuals will attempt to claim “ignorance” of the crimes they are accused of.

Category A traitor

- Political leaders (NGO leaders included)
- Media leaders (chief editors)
- Cultural leaders
- Industry leaders

Category A traitors are usually any current Heads of State, ministers/senators, directors and leaders of certain organisations/boards etc. who are guilty of charges 1-8. Category A traitors consist of the most influential and highest profile traitors.

10 per 1 million citizens.

Punishment: death penalty and expropriation of property/funds

Category B traitor

Category B traitors are cultural Marxist/multiculturalist politicians, primarily from the alliance of European political parties known as “the MA 100” (parties who support multiculturalism) and EU parliamentarians. They can be elected and non-elected parliamentarians, their advisors and any public and/or corporate servant who has been and still are indirectly or directly implicated in committing the following acts.

Category B traitors can also be individuals from various professional groups (but not limited to): journalists, editors, teachers, lecturers, university professors, various school/university board members, publicists, radio commentators, writers of fiction, cartoonists, and artists/celebrities etc. They can also be individuals from other professional groups such as: technicians, scientists, doctors and even Church leaders. In addition, individuals (investors etc) who have directly or indirectly funded related activities. It’s important to note that the stereotypical “socialists”, collectivists, feminists, gay and disability activists, animal rights activists, environmentalists etc are to be considered on an individual basis only. Not everyone who are associated with one of these groups or movements is to be considered as a cultural Marxist/multiculturalist.

Former category A traitors; Heads of State, Ministers/Senators etc., directors and leaders of certain organisations/boards etc. can be re-classified as category B traitors for

practical targeting reasons (they have lost influence and will not yield the same target value/effect as current category A traitors).

Certain ANTIFA leaders or organisers related to ANTIFA movements (and other dedicated members) are considered category B traitors. Non-essential members are considered category C traitors. Many professionals such as f. example journalists, influential sociologists or university professors etc. are considered and categorized as category B traitors as we consider them political activists and not merely professionals. They will of course claim ignorance and state that they are a-political. This strategy might work for them until the day where they are visited by a Justiciar Knight - their judge, jury and executioner.

1000 per 1 million citizens.

Punishment: death penalty and expropriation of property/funds. Punishment can be reduced under certain circumstances.

Category C traitor

Category C traitors are less influential and lower priority targets (often individuals who have facilitated category A and B traitors) but who are still guilty of charges 1-8.

10 000 per 1 million citizens.

Punishment: fines, incarceration, expropriation (considered as acceptable indirect casualties in larger operations where WMDs are involved).

Category D individuals

Category D individuals have little or no political influence but are facilitating category B and C traitors and/or MA100 political parties/media companies through various means. They are not guilty of charges 1-8 but work with or for individuals who are. The classification is of relevance when calculating/estimating indirect casualties concerning larger operations where WMDs are involved, as any category D individuals is not considered an innocent "civilian" but rather as a secondary servant/facilitator.

20 000-30 000 per 1 million citizens

Punishment: none (not considered civilian)

Number of Category A and B traitors on Western Europe

There are approximately 400 000 category A and B traitors in Western Europe using the current classification system (1010 per million).

France	65 650
Germany	82 820
United Kingdom	62 216
Netherlands	16 665
Belgium	10 807
Sweden	9393
Austria	7839
Norway	4848
Switzerland	498
Luxembourg	7777
Spain	47 167
Italy	60 600
Portugal	10 807
Denmark	5555

Ireland	6060
Greece	11 312
Finland	5353
Iceland	322
Cyprus	800
Malta	417

3.45 Added or diminished emphasis on flagged targets

This term can be used internally within any conservative military order (not that any cell in Phase 1 should be larger than 2 individuals).

Temporary Immunity (diminished emphasis)

"Temporary immunity" is abbreviated TI and the level of significance ranges from 1-3. For example: TI1 indicates insignificant anti-Islamisation principles implemented, and where TI3 indicates considerable anti-Islamisation principles implemented. This type of temporary immunity can be "awarded" to cultural Marxist/multiculturalist political parties, organisations and individuals who have shown indications of policy shift.

- **TI1** Insignificant anti-Islamisation principles implemented (TI declined)
- **TI2** Some but minimal anti-Islamisation principles implemented (TI declined)
- **TI3** Considerable anti-Islamisation principles implemented (TI granted)

No attacks should occur on TI3 candidates in phase 1. As for TI1-2 candidates, even though immunity has not been granted, any Justiciar Knight should consider other targets if possible. If there aren't any equivalent targets which would yield the desired result, then TI-1-2 targets would still be the logical choice.

If the policy shift is significant enough over a long period permanent status change may be applied.

Focus Target (added emphasis)

"Focus Target" is abbreviated FT and indicates targets who will yield added results (high value targets) or can be used to flag "unforgivable" political parties, organisations or individuals who has or still are committing grave crimes.

- **FT1** Above average crimes or above average target/value
- **FT2** Higher...
- **FT3** Highest...

3.46 Killing women on the field of battle – directly or indirectly

Every female category A, B, C traitor or system protector out there is someone's daughter, someone's sister or mother. But then again, so are the victims of the current systems, for example the girl who committed suicide after being gang-raped by Muslims.

War isn't pretty. It never has been. It is essential to know that approximately 60-70% of all cultural Marxists or suicidal humanists are female and up to 20% of police officers and military personnel (system protectors). Being a Justiciar Knight will involve killing our targets, or any system protector trying to stop us, indiscriminately. You will face women in battle and they will not hesitate to kill you. To them, you are just another armed criminal nut case as they will not know your true political agenda until after you have been slain or are apprehended. If you hesitate as much as a second due to the fact that your opponent is female you will fail. You must therefore embrace and familiarise yourself with the concept of killing women, even very attractive women.

It is not a secret that the average cultural conservative is a lot more chivalrous than the average person. After all, extreme feminism is a Marxist concept. As such, anti-Marxists usually have more traditional values and have been taught to revere women as they are the ones who will carry our offspring, the next generations. While being chivalrous is a good thing in ordinary day-to-day life, it will undoubtedly be fatal in any armed confrontation. If you are unable to think and act pragmatically and cynically you will most likely get yourself killed or arrested. Hesitation and doubt will lead to confusion which will severely endanger yourself and your operation. You have no choice but to use logical cynicism on the field of battle.

If you are unwilling or incapable of killing women due to the principles of chivalry you should probably steer away completely from the armed resistance movements and should probably consider creating yet another right wing blog instead.

On a personal level though; had it been up to me, women would not be encouraged to become system protectors at all - police officers nor military personnel. Females on average (of course; there are always exceptions) are physically and mentally inferior (approx 20-30%) on a field of battle. I am not comfortable with the concept of killing females as they are simply too valuable to be put in harm's way. However, we have little choice under the current regimes as they are encouraged and even positively discriminated against when applying to become system protectors in many countries.

In any case, all armed resistance fighters really have no choice but to get used to the idea.

3.47 Avoiding apprehension/arrest and death

Let us be perfectly clear; if you are unwilling to martyr yourself for the cause, then the PCCTS, Knights Templar is not for you. On the other hand; if you are too eager to die, then you will lack the patience required to succeed. A balance between long term commitment, thorough planning and willingness to sacrifice is the central aspect of our military order.

One of the great strengths of our enemies, the Western European cultural Marxist/multiculturalist regimes is their vast resources and their advanced investigation/forensic capabilities. There are thousands of video cameras all over European major cities and you will always risk leaving behind dna, finger prints, witnesses or other evidence that will eventually lead to your arrest. They can also back trace your internet traffic in most cases and use infiltrators or informers. They are overwhelmingly superior in almost every aspect. But every 7 headed monster has an Achilles heel. This Achilles heel is their vulnerability against single/duo martyr cells.

The average chance of getting away with an execution of a category A traitor is less than 10% while being at aprox. 30% for a category B traitor. In other words, don't count on getting away with your actions and act accordingly. Since we have no intention of getting away with our actions we emphasise on causing maximum impact until we are physically prevented from continuing.

The nature of our extremely distributed hierarchy through clandestine cells makes it very hard for them to stop these types of attacks, nearly impossible. The main problem however is that we are not likely to get away from it without being apprehended. There is currently no regime in the world who would accept our plea for political asylum after a devastating attack against a Western European regime. Serbia is partly under NATO occupation, Russia will not risk boycott at this stage, Armenia and Israel are too dependent on the West. No other regime would risk protecting or hiding us at this point in time as it would be as suicidal as harboring Osama himself. No one should therefore sign up as a Justiciar Knight unless he is prepared to sacrifice himself for the cause. If you are caught, you will not see freedom again until the current regime is replaced with a cultural conservative alternative. This will happen earliest in 2030 but can take as long as to 2070/80.

As a consequence of this reality, a Justiciar Knight does not put restraints on himself.



You put restraints on yourself because you think it's still hope; hope to get out of it alive or free. This leads to hesitation, reluctance, confusion, delay and unnecessary danger and increases the risk of failure. The core strength of a Justiciar Knight is that we accept the fact that we're already dead. In a way, this makes us partly immortal. How can we die when we are already dead? The sooner you accept that, the sooner you will be able to function as a soldier is supposed to function: without mercy, without

hesitation, without compassion and without remorse. All war depends upon it. Fear is poison in combat, something everyone feels but try to suppress. If you allow fear to paralyze you, you will fail. You cannot allow this as it is destructive and even contagious.

Have no doubt about it; you will get caught or you will die. Just get used to that idea and you will finally be able to fully function as a fearless Knight, as a devastating tool of war. Because only a truly fearless soldier carries within him the ability to inflict massive ideological damage on any of the EUSSR regimes.

3.48 Quick summary – overview of the planning and operational phases for your mission

The Ideological Journey - Knowledge is Power

Reading the compendium: 2083 – A European Declaration of Independence, provides you with a large portion of the knowledge and education required to understand why we, the cultural conservatives, fight and lists many of our goals and intentions when we seize political and military power within a few decades.

Accepting your duties, embracing your destiny as a Justiciar Knight

See 3.65 Knights Templar Oath – Initiation Rite

This includes formally choosing the “Path of the Perfect Knight” which involves embracing an ascetic lifestyle, agreeing to voluntary poverty and accepting and swearing allegiance to the PCCTS, Knights Templar principles.

Preparation phases

1a. Financing phases

Length of phase: 6-12 months

Goal: providing funding for your operation, anywhere from 30 000 to 200 000 Euro + depending on your existing financial platform/job/career/education.

Work full time (preferably more) for 12 months to acquire enough capital to fund your operation and to reach a scenario where you will have the possibility to apply for and acquire credit card financing (multiple credit cards).

This phase may obviously be ignored if you have other sources of funding such as real estate which can be converted into liquidity etc.

See: 3.25 for more information.

1b. Credit acquirement phase

Length of phase: 2 weeks to 2 months

Goal: providing additional funding for your operation, anywhere from 10 000 to 100 000 Euro depending on several factors.

You will, under normal circumstances, need a good and credible income history for the full previous fiscal year (Jan-Dec of that year) in order to be able to apply for a high credit card limit for multiple cards.

Start the credit acquirement phase BEFORE you quit your job, as the credit card company will need to be assured that you will have a stabile income for the future.

This phase may obviously be ignored if you have other sources of funding such as real estate which can be converted into liquidity etc.

See: 3.25 for more information.

2. Cover-acquirement phase

Length of phase: 1 month to 3 months

Goal: to avoid suspicion (or to create a reasonable doubt) by creating credible covers

Create and establish credible and smart covers which will result in you avoiding suspicion from relatives, neighbours and friends. This phase also includes deliberate and gradual "de-socialisation" which means you will gradually isolate yourself from your traditional social networks if you haven't already done this.

See "Planning the operation" for more information.

Operational and preparation phases

3a. Physical training and various operational simulations

See 3.32 for more information. This is not an isolated phase but can be combined with other phases.

Preparation period to 3b.

- Buy 2-4 x Kingston DT Mini Slim USB pins
- Buy a GPS receiver
- Buy 2-3 water/moist proof storage containers, one for weapons and one for armour (brand: Pelican)
- Buy 3-5 hard drives (IDE or SATA depending on your PC)
- All data on explosives, weapons and armour (transfer to new PC as you will use it in research phase, discard everything else).
- Destroy hard drives and discard all other sensitive data
- Install new hard drive with programs

3b. Research phase (research weapons, armour, explosives)

Use Tor network (while following all Tor guidelines) or use an equivalent service which will mask your PC/IP identity when browsing the net. Alternatively, you can use an anonymous PC from a LAN network provided by Mc Donald's or any available commercial services as long as they do not require you do ID yourself. The research phase may last anywhere from 2 weeks to 2 months.

When done, save all explosives/trigger related data and weapon/armour related data on separate USB pins (Kingston DT Mini Slim USB pins are excellent for storage) and store the two USB pins at safe locations (not in your home). As you are about to initiate your weapon/armour acquisition phase you will have to print out essential information (which is too hard to memorize) on a sheet of paper. Print out the data using letter size 4 (as small as practically possible) and try to compress all data on one single sheet. You may have to eat the sheet if anything happens so ensure that you have the info sheet close to you at all times. Store the following USB pins at safe locations:

- 1 explosives/trigger USB pin x 1
- 1 weapons/armour USB pin x 1

Now, as you are done with your research phase you must destroy your hard drive and replace it with a new one. To simply delete data from your disk is not sufficient due to advanced recovery technology).

Preparation period to 3c.

Prior to the acquisition of weapons and armour you may want to create a cover relating to this phase. Print and fill out the application forms to either your military forces (foreign division) and/or to a foreign mercenary company (French foreign legions or any private intl. security company). By deliberately having the filled out forms "lying around", you will create a reasonable doubt if you ever get compromised during the following phase.

3c. Weapons and armour acquirement phase

You may order certain armour components from EBay (it is legal to order armour as long as you order the armour plates and armour carriers (empty vests) separately. However, be extremely careful when ordering online. Use FedEx as often as possible as the public postal service usually have stricter customs routines. Acquire the rest of the armour and the weapons/grenades from the black market in your own country or in another European country. Remember to acquire/replicate/create a police uniform with forged insignia. You may have to learn sewing techniques and order a portable sewing machine (available for less than 10 Euro on EBay). The weapons and armour acquirement phase may last anywhere from 2 to 10 months.

When you have acquired all the weapons, armour and related gear, place all the equipment in your Peli case and store it by digging it down in a deserted and safe location of your choice. Remember to prepare the storage site before you actually bring the equipment to the site. You may or may not want to use a GPS tracker to correctly get the correct coordinates of your newly established "weapons/armour depot". Just ensure that the coordinates displayed on your device is not in any way stored on your GPS tracker.

Preparation period to 3d.

You will have to rent for example a rural small farm (an urban garage may also work in rare cases) which will be your explosives acquisition base. You will also have to buy/rent a car. Consider renting a property at a remote location where privacy is assured. The property must have a relatively large outhouse where you are able to unload explosives components and store it if necessary. It is not recommended that you store primary explosives and secondary explosives at the same location as this may compromise your cover story in case of exposure.

3d. High grade explosives (+ trigger devices, jet fuel/nitro-methane) acquirement phase

Primary explosive component

3e. Fertiliser acquirement phase

Secondary explosive component

Preparation period to 4.

As soon as you have all the equipment and components required for your operation you may begin the final preparation phase. At this point in time you should begin your steroid cycle (6 week cycle).

Operational phases

4. Assembly phase

During this phase you will retrieve all caches and build/assemble your fertiliser based WMD (barrack buster). You must acquire the truck needed to deploy your payload. You will be extremely vulnerable during this phase so ensure that you complete it within 7 days. If you are compromised during this phase you are obviously in serious trouble and risk life in prison so take all precautions and arm yourself at all times. Surrender at this point is not an option.

5. If apprehended during above phases, initiate plan B after acquittal

If you are apprehended during one of the above phases; use your cover(s) for all they are worth and do not accept any plea bargains (reduced sentence in exchange for admittance). The evidence required in order to generate a conviction is very high for political motivated crimes so chances are you will be acquitted unless you are arrested during the assembly phase. If you are acquitted or receive a short sentence you can be certain that you will be on top of any and all intelligence lists for the rest of your life (in your own country and even abroad), making the acquirement of weapons/armour/explosives and execution of an advance operation impossible. You must therefore disappear from the radar for a while and initiate your "plan B" using your two securely stored weapon/armour depots (this is the reason why we always store and secure primary weapons/armour before acquiring explosives. See 3.46 for more information.

6. Initiation of your operation

This is the big day you have been looking forward to for so long. Countless hours and perhaps years of preparation have rewarded you with this opportunity. Equip yourself and arm up, for today you will become immortal.

Post-operational phases – propaganda and consolidation

7a. Apprehension

If you for some reason survive the operation you will be apprehended and arrested. This is the point where most heroic Knights would call it a day. However, this is not the case for a Justiciar Knight. Your arrest will mark the initiation of the propaganda phase.

7b. Your trial offers you a stage to the world

See 3.63, 3.64 and 3.57-3.60

7c. Contribution to consolidation from the inside

In light of your newly acquired status as a living martyr for the cause, this newly acquired influential position will allow you to significantly contribute to further consolidation of either a national or pan-European Overseer organization or the establishment of a national prison movement (preferably political).

Alternatively:

7d. Escape from prison and initiate your “bonus operation”

If you established a “third depot” you may use this in order to execute your bonus operation which will involve the execution of 1-5 category A and B traitors of your choice.

See 3.33 for more information.

7e. A Perfect Knight fights even from the afterlife

They may physically kill a Justiciar Knight, but your name will be remembered for centuries. Your story will be told to future generations which will significantly contribute to the morale in the emerging Western European conservative resistance movement.

See 3.61 for more information.

You will forever be celebrated by your people as a martyr for your country, protecting your culture and fighting for your kin and for Christendom. You will be remembered as a conservative revolutionary pioneer, one of the brave European Crusader heroes who said; enough is enough, it is time to take back our countries before our multiculturalist traitor elites actually manages to finalize their agenda and sell us all into Muslim slavery. Your sacrifice will be a great source of inspiration for generations of Europeans to come. You will become a role model for hundreds, perhaps thousands of new emerging martyrs fighting the good fight, our fight. And when we seize political and military power in Europe within a few decades, it will be pioneers and historical pioneers like you who will be celebrated with reverence. Revolutionary patriots like the Justiciar Knights will then be celebrated as destroyers of Marxism and the slayer of tyrants; the fearless and selfless protectors of Europe, The Perfect Knights. For there is no greater glory than dying selflessly while pro-actively protecting your people from persecution and gradual demographical annihilation.

We are destined to win in the end, as our people, all Europeans, are gradually waking up from their slumber and realising the deceitfulness and suicidal nature of multiculturalist doctrine. We do not only have the people on our side, we have the truth on our side, we have time on our side, we have the will of our ancestors and the will of God on our side.

What does the multiculturalist Globalist-Marxist-Islamist alliance have? They only have weak, decadent and gradually crumbling state apparatuses, the Quran, the Communist manifesto and the power of short term greed on their side. It may seem hopeless at times to fiercely assault a gigantic system as the EUSSR/USASSR hegemony. However, it is important to remember that it is not OUR military weight that will crush them during phase 1. We will use THEIR own weight against them. Think of the current EUSSR/USASSR hegemony as a gigantic self loathing monster who likes to cut itself. Ironically, they will provide a majority of these cuts themselves. By sapping their will to fight (death by a thousand cuts) through inflicting strategic economical, psychological and ideological damage, they will eventually be crushed under their own bureaucratic weight which will create a window of opportunity large enough for our brothers and sisters to seize political and military power in all Western European countries in the future. It is essential to understand that EVERY effort counts in this process which is why all European patriots should contribute in one way or the other in the coming decades. The bulk of the European patriotic forces (90%), must prepare, consolidate, acquire weapons and armour while sitting idle and waiting for that window of opportunity, a window of opportunity the Justiciar Knights will contribute to create sooner rather than later.

This is the critical and essential mission we, the Justiciar Knights, have been tasked with. This is why we are willing to martyr ourselves for the cause, for the greater good of our people. Do not mourn us but celebrate us instead; and celebrate all European patriotic martyrs who HAS fought and ARE still fighting for you and for your family. Because after all; we are fighting for the freedom of all Europeans. We must fight on behalf of our brothers and sisters because the great majority of our women, the ignorant, the weak, the impaired, the cowardly and the selfish are either unable or unwilling to fight.

Evaluating attack strategies: 1. Shock attacks, 2. Sabotage operations, 3. Manipulative proxy attacks

“We want peace, and we are prepared to fight the most terrible war to get it.”

Shock attacks

3.49 Conventional shock attacks (non-WMD)

Shock attacks - Assassination

It is much more rational and pragmatic to focus on the easier unprotected targets instead of sacrificing good men on an impossible target.

The basis of our selection process is to choose the primary propagandists of cultural Marxism/multiculturalism. Instead of wasting good men on an impossible mission we should target unprotected category A and B traitors first and foremost.

One of these 12 good men who failed to assassinate the US president could have successfully managed to execute 5 or more unprotected primary targets doing substantial and irreparable ideological damage to our enemies.

The following category A and B traitors should be focus targeted:

Cultural Marxist professors, leading anchor men/women of the cultural Marxist MSM, NGO leader's, professors/lecturers etc (see complete list under "charges 1-8"). The reason why we must choose wisely is because that there aren't that many of them and very few category A and B traitors have substantial influence and make an incredible impact on how our societies are shaped. They are usually experts or related to the field of sociology and give "well meaning advice" to the MSM, which usually involves the deconstruction of everything we hold dear.

Multiple category B traitors assault operation – 5 targets within 2 hours

The operational goal should be to execute 5 category B traitors within 2 hours. Plan ahead so you are prepared to assault 5 targets in succession. You will usually always be caught so instead of going home and waiting for someone to knock on your door move swiftly to your second target, then the third etc. Prior to operation; create and wear a police SWAT uniform with visible and credible IDs/insignias as this will allow you to travel with armour/weapons without arousing suspicion. An operation consisting of 5 hits of primary category B traitors should be completed within a pre-defined geographical area and you should travel by car or motor cycle. The hit is performed using your secondary weapon, gun with silencer. Your primary weapon is used against any system protectors (police) trying to stop you after your first hit. 5 hits should take no longer than 2 hours. If you still have the capacity/opportunity you can do a bonus hit on a cultural Marxist HQ – media, NGO or a political party HQ where there are high concentrations of category A, B and C traitors. A successful operation (best case) would result in the execution of the pre-defined 5 category B traitors in addition to 10-20 "bonus targets" – a variation of category A, B and C targets. Professors/lecturers are usually easy targets

and there is minimal security at universities/colleges. Just make sure you research your targets thoroughly and know approximately where they are at any given time.

The challenge will be actually reaching and localising all 5 targets during this 2 hour window. Alternatively, you should consider arranging the hits after 18.00 when you know the targets are home with their families. This will also ensure that significantly fewer individuals in the police reaction force are on duty. For many European countries, depending on the location you select, the reaction force may take as much as 30-40 minutes to reach your destination as they have to arm themselves and travel to your location (at this point you will be at a different location and should be working on your third target). Use your creativity. When you ring their speaker phone outside the building of the target; tell them that you are from the police intelligence agency and that you have learned that they might be in danger and that you are there to escort them to safety. You can for example choose a day when you know of a congress/meeting where concentrations of category A, B and C traitors will attend. This should be your bonus mission after your 5 hits. The essence in target management is to achieve a scenario where you don't sell your life cheaply, a scenario where you inflict a maximum of damage on the criminal multiculturalist regime.

Include flame thrower/assault rifle/grenade attacks on party meetings, Annual central party meeting,

Don't go for the prime category A if the chances for success is slim or if the security measures are overwhelming.

Annual political party meeting Barbeque

A prioritised target is the annual party meeting of the socialist/social democrat party in your country. This is held once a year usually in a relatively large conference centre. The annual political party meeting will consist of delegate representatives from all counties in the country. The number of participants will range from 100-400 depending on country and will usually be held in the capital or close to it. The national intelligence agency/police force will have from 2-50 armed guards at this annual meeting assuming the party leader is the prime minister/president/chancellor. (I would assume 2-6 armed guards for a small country like Norway and up to 50 for the UK, France and Germany). I'm really not sure about specific numbers for the UK, France and Germany. It might be considerably less – 5-10. The good thing is that the body guards usually have limited armour (usually a vest only) and is therefore vulnerable to head shots. An entry strategy has to be planned thoroughly and the Justiciar Knight has to be properly equipped with solid body armour covering all limbs.

An efficient plan will involve a flame thrower/assault rifle assault strategy (an alternative primary weapon to the flame thrower would be to use a sub-machine gun integrated into a shield). You should consider integrating the flamethrower into a bullet proof shield. This will protect you completely from all incoming projectiles from one direction (90-180 degrees depending on your position). As soon as you enter the main conference room with all the delegates, immediately initiate with throwing multiple grenades in various directions to start a panic and follow up with flaming your targets in a 180 degree cone. Be prepared for melee attacks from the individuals close to you when you first enter the room (an agent is usually close to each entrance and may assault you). The party delegates will flee like rats from the fire and will make it very hard for the armed agents to get a lock on you for the first 10-20 seconds. They may even panic themselves and run. Nevertheless, be prepared for incoming bullet barrages and ensure that you keep a lookout for these agents' position so you can adjust your shield radius. You will not have

a lot of fuel (only 20-40 litres') so use it wisely and ensure that you hit as many delegates as possible.

An entry strategy might be to use fireman's clothing when entering the building. This allows you to conceal your armour and weapons under the fireman's coat and you may conceal your bulletproof vizier by partly cloaking it to mimic a fireman's helmet. You will probably have to neutralise 1-2 agents on the way in so ensure to have a hand gun with silencer with you. You cannot take the chance of risking detection prematurely by allowing non-silenced shots.

If you're going for the fireman entry strategy you may get away with bringing a considerably larger fuel tank/torching mechanism (50-300 litre) on wheels disguised as a mobile "fire extinguisher with hose" (obviously, this doesn't actually exist but most people do not know that).

Note - entry strategy: integrating defensive knives into your arm/shoulder armour and a couple of other strategic places on your body armour may prevent you from getting jumped initially (deterrent factor) or may at least contribute to neutralise the first incoming attack before more individuals get a chance to overwhelm you.

Note - target selection: if you know for sure that the ruling multiculturalist party has many armed guards you can always target another party (second largest party that supports multiculturalism). It is usually only the ruling party that has any form of effective defensive measures while other party's annual political party meetings are often completely defenceless. If you notice that the intelligence agencies are increasing the security substantially during annual party meetings then consider other targets, such as the annual party meeting on a city level.

Alternative approaches

An alternative approach would be to deploy mobile bombs at strategic places outside the main entrance (perhaps even a car loaded with explosives) and then trigger the fire alarm (block the other fire exits just in case). Just after the bomb detonates, wiping out multiple delegates, you will finish the job with a sub machine gun or flame thrower to ensure a maximum amount of casualties and thus cause the most efficient terror effect.

Equipment, secondary weapons, armour and flame thrower

- You must be able to hit targets 10 + metres away so you need an appropriate flame thrower with a 10-200 litre tank. You can either get the blueprints for a modern flamethrower and build one from scratch with the assistance from a machine shop, or rebuild another apparatus (high pressure gun, or similar civilian utility tools), or acquire an antique and make modifications. There are several alternatives.
- Full body armour with vizier
- Consider bringing a bullet proof shield and perhaps even integrate it around your flame thrower/sub machine gun.
- Hand gun and assault rifle with enough ammunition.
- Splint/shock grenades
- Explosive devices rigged at exits prior to operation or a car loaded with explosives.

- Consider creating defensive devices/knives integrated/attached to your armour (on your arms/shoulders/back) to avoid being jumped or to help neutralise any individual that might jump you.

Preparations prior to the operation

You need to be familiar with the conference centre prior to the operation. Therefore, you need to scout the premises a few months ahead. Create a fake front (business/organisation/business plan) and contact the administration of the conference centre. Use a fake profile as the intelligence agency may cross reference previous visitors at a later point. For example say that you want to rent the conference centre for a gaming convention and require a tour. In that case, research what you need to know about the gaming community in your capital etc. before you book the meeting with the conference centre employee. When you are visiting the centre, memorise all exits/fire exits and doors, material and closing mechanisms of doors (how can you close off the exit later on to limit the exit opportunities for political delegates or how you can most efficiently rig up mobile explosive devices in or close to these exits?).

End note

A severely burned category A or B traitor will in reality become a living symbol of what awaits individuals guilty of trying to sell their own people into Islamic slavery. They will act as a deterrent and contribute to spread fear in the hearts of the rest of the traitors and will thus cause more ideological damage than that of a dead body. He or she will become a living testament to what will happen to any and all category A and B traitors and everyone will learn that high treason is not without risks.

Category A, B and C traitors' concentrations

Annual gatherings for journalists

There are annual gatherings for journalists in all Western European countries. These gatherings are considered THE MOST attractive targets for large scale shock attacks due to the amount and quality of category B traitors. To illustrate; in Norway, there is an annual gathering called the SKUP conference (the organization for critical and investigative press) where the most notable journalists/editors from all the nations media/news companies attend (500 delegates - 98% of them are considered "quality category B traitor targets". The conference lasts for 2 days and is usually organized at a larger hotel/conference center. Security is light or non-existent making the conference a perfect target.

Overview:

- Targets: a concentration of 500 category B traitors
- Primary/initial assault method: 1-3 source detonation (vehicle based "barrack buster" covered with several layers of projectiles for maximum damage, for example small steel projectiles)
- Goal: collapse of building causing maximum casualties coupled with secondary assault method
- Secondary assault method: flame thrower, assault rifles, grenades, executing the survivors of the initial blast(s).

Literature conferences and festivals

This is where many cultural Marxist/PC authors (the disgusting cultural Marxist and traitorous bourgeois elite – the Marxist-Leninists' of the 68 generation (or sympathisers of this group) meet and socialise.

Prioritised target groups make out the bulk of the participants who attend certain literature conferences and festivals:

- Writers (90%+ of these individuals support multiculturalism and usually portray their world view through their works)
- Editors and journalists in cultural Marxist/multiculturalist publications
- A majority of individuals related to various "cultural Marxist/politically correct" cultural settings and organisations.

3.50 Creation of a secondary strategy (plan b) in case of exposure

There is always a chance that you are exposed and arrested during the planning process if you fail to take certain precautions. Even if you do take all precautions you might just get unlucky and make a mistake at one point.

If you are arrested, you will still have much of your equipment and funds (national or foreign currency) stored at several safe locations. It will be very hard for the state to provide sufficient evidence in order to charge you for violating the terrorist laws of your country especially if you don't have a criminal record already. With insufficient evidence they will have no choice but to release you.

The problem then arises as you will be flagged and thus monitored thoroughly for years to come and will be unable to plan an operation involving WMD explosive devices. The first thing you should do is to leave the country and get off the "radar" for a while. A good secondary strategy will be the assassination of a "category A" traitor, not related to your country. If you play your cards right it will be extremely difficult for the European authorities to monitor you in other countries if you avoid electronic devices (communication devices, credit cards, travel methods involving your ID etc). Go "off radar" for as long as necessary and plan your move. Extract the necessary equipment from your caches or get new equipment (vehicle included) from the criminal networks in any major European city. Plan secondary targets and simulate the operation mentally again and again. You should attempt to take out not only one but up to three high value targets if possible. Surrender should not be an option and you should be mentally prepared to fight to the death. Even though your "secondary" plan will not yield the same results it will still do extensive damage if successful.

If the WMD acquirement phase fail, go with a basic shock operation.

Always acquire weaponry and armour first, and secure it in a cache. Only after you are done will you start on acquiring the components for the WMD. The reason is the following: should the WMD acquirement phase fail, leading to your apprehension, you may be incarcerated for a short period based on the evidence available. Once you get out you will be under heavy monitoring and will have a very hard time acquiring the necessary components for any WMD. At this point in time you will still have access to your weaponry/armour cache and will therefore be able to execute a smaller shock attack, not involving WMDs. Estimated number of executed may still be as high as 50 individuals based on several factors.

Assassinations - Preparations and equipment

Creating a hidden mobile sentry point with overview of target residence. This will allow you to monitor targets movements without raising suspicion from neighbours. A sentry point will allow you to map the individuals movement patterns and thus enable you to anticipate an appropriate attack window. Purchase a water/moist-proof camera with live feed to a nearby receiver/monitor. Your base will usually be a truck a distance away to avoid detection or any unwanted attention. Lurking around the residence is a good way to get caught as you will alarm the neighbours'.

3.51 Defence and Attack Methods - Field Strategies

In conventional warfare, combat is generally at a distance with long-range weapons. In unconventional warfare, in which urban guerrilla warfare is included, combat is at short range and often very close. To prevent his own death, the urban guerrilla must shoot first, and he cannot hesitate when he has a shot. He cannot waste his ammunition because he does not possess large amounts, and so he must conserve it. Nor can he replace his ammunition quickly, since he is not a part of a team in which each Justiciar Knight has to be able to look after himself. The urban guerrilla can lose no time, and thus has to be able to shoot immediately.

When face-to-face with the enemy, he must always be moving from one position to another, since to stay in one place makes him a fixed target and, as such, very vulnerable.

Guerrilla warfare means that the fighters must choose their targets wisely, fight on their own terms, and know when to retreat. A Knights Templar must learn to deceive the enemy as well as know when to use the important tactic of shock value.

The Justiciar Knight must be prepared to move fast and think fast. He must be alert, physically fit and not dependent on alcohol or other impairing substances. Ephedrine+caffeine combination (Stack) and similar substances however will sharpen your senses and will without a doubt prove to be valuable during any operation.

We will simulate and discuss a few "anti police force" and "anti strike force" strategies.

In urban areas with city blocks or similar terrain the basic police force strategy will be to attempt to flank you on two sides and pin you to one location. This basic strategy is an attempt for them to gain ENOUGH time so that the professional strike force can get to the location. As soon as the professional strike force get there they will attempt to deploy "strike force snipers". If this is the case it will be extremely dangerous and a strategic retreat will be very difficult. Getting "pinned down" must be avoided at all costs by following the pre-defined time frame. You will have to move quickly and deal with the first police officers on site in an aggressive and efficient manner, then move on.

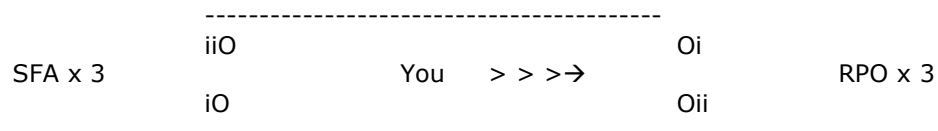
You are flanked between the two exits of a city block

If they against all odds succeed with a classical flanking manoeuvre this is the appropriate way to act:

By flanking you on both sides they have been forced to split their strike force (or normal police patrol). Pay careful attention to the difference between an actual strike force agent (**SFA**) and a regular police officer (**RPO**). You should be able to tell the difference prior to operation. You want to break out where the resistance is weak. You have a few seconds to evaluate this by observing both flanks.

Let's simulate a potential scenario:

O = car
i = agent



Breaking through a flank with vehicle

You will obviously try to "expropriate" a car and drive through the RPO flank (without using force if possible). If a vehicle is not available you will have to attack the RPO flank in order to break free. They will attempt to shoot the tires of your vehicle take the necessary steps to avoid collision or unnecessary damage.

Breaking through a flank by foot

Use the terrain (cars etc) as cover as you rush for the flank. At this point, they do not have any snipers, limited body armour and only standard issue police pistols and thus they are at a clear disadvantage. Be prepared to strike mercilessly and without hesitation (double head shot) one target at a time. They should not be able to hit you at this point as your cover and/or armour should hold against any incoming projectiles (especially if you have the 5kg, small bullet proof shield). They will be completely surprised and confused by your "forward thrust" and take cover or attempt to run away in panic.

Thrust of the Martyr (TotM)

Breaking a flank is a dangerous move. However, keep in mind that they will not expect you to rush them aggressively (go for head shots) so you have the element of surprise. Let's call this strategy: "Thrust of the Martyr" due to the severity and critical circumstances of the attack. It is a lethal move where either you or your opponent(s) will die or get injured. Based on your strengths and their weaknesses you will have a success rate of approx. 75% if facing 2 agents (scenario 1). Against 4 agents this will however drop to 30-45% (scenario 2) even taken your conviction and superior armour and firepower into account. If you allow them enough time to deploy 1-2 snipers in either scenario you will not likely get out of the situation alive, survival rate of less than 20%. Under normal circumstances, you will however only face 2 police officers (2 per car) which should allow you to neutralise both quite easily. In any case, surrender is not an option. You either break free or die in the attempt.

Best case scenario

As we rely heavily on the element of surprise with our shock attacks, we should have enough time to avoid this scenario. Our best counter measure is a quick execution of the operation and a haste-full tactical retreat BEFORE the local police or SWAT team are able to rally a response in a co-ordinated manner or formulate a counter-attack.

Expropriate vehicles

Expropriate vehicles from civilians at your discretion. Basically stand in the middle of the road and stop the nearest car. It should go smoothly considering the fact that you are acting as a government agent (in your case, a police officer). Talk to the driver; order him to turn over the vehicle ASAP.

If he refuses, insist and threaten with criminal charges for obstructing a criminal investigation and offer him your service number (normal unique number for every police officer). If he still refuses threaten with shooting him if he does not vacate his car within 10 seconds. If he still refuses, shoot him in the head. This process (dialogue from you actually stop the car until you have seized the vehicle should take no longer than 30 seconds (preferably less than 15). If you are being chased by police officers, stop the nearest vehicle ASAP. Use any means necessary to complete this objective.

This drill should be simulated repeatedly prior to operation.

Melee defensive strategy

One of the biggest threats while moving around is avoiding and preventing attacks from angry civilians or from undercover agents. Expect the following scenario:

A civilian/undercover agent goes for your side arm or grabs your arms; another civilian attacks and knocks you to the ground. What do you do?

Use side arm or knives to neutralise one target. Go for the neck or any exposed vulnerable area. Switch to target 2 as soon as you have neutralised target 1. If all else fails attempt to flee.

There are currently no efficient melee weapons on the market designed for solo urban warfare. A knife will have little value if you are jumped by two individuals, one grabbing your arms and one knocking you down.

A suggestion could be to build and equip razor sharp spikes on your shield and/or arms (from your wrists up to your elbows). This will transform your arms to lethal melee weapons and will make it a lot harder for individuals to jump you (it may also act as a deterrent).

3.52 Fertilizer WMDs and arms bans

In the early 1990s the manufacture of a large truck bomb (500-2000 kg) was a challenging and quite difficult venture, but was in fact an achievable task for the cleverest and most motivated individuals among us who had taken the required precautions not to be blacklisted with the system protector intelligence agency.

Times are changing and the possibilities which were available to us during the time of Mr. Timothy McVeigh are no longer present. The US/EUSSR cultural Marxist hegemony has adapted so we must continuously adapt. The EU has since the 1990s made the manufacture of explosives considerably harder. They have achieved this by regulating and banning substances and compounds required for creating explosives. To illustrate; since the 1990s, the EU has banned hundreds of fertilizers, insecticides and other widely available chemicals and they have neutralized many substances by instructing the producers to add neutralizing chemical agents making hundreds of compounds inert. Furthermore, they have created a system very similar to that of the former Soviet Union, using retail desk clerks as intelligence agents.

Many of the bomb-making guides available through the internet are now quite useless as most of the chemicals required in these guides are very hard or even impossible to acquire for most people. 20 years ago you could easily just walk into grocery stores, garden centers and apothecaries and just buy most of these materials over the desk. It was possible to acquire materials to make 70-100 different types of explosives, while the number is now reduced to 10-20 types of explosives. It is now quite difficult to buy ammonium nitrate (AN) fertilizer for civilians in many countries. And in the countries where AN is still sold, they have regulated the distribution limiting it to 600 kg bags. So be prepared with a solid cover story when you decide to buy a bag. In addition; ammonium nitrate fertilizer is in the process of being replaced with Urea fertilizer, which requires a purification process (to urea nitrate) before use and the end product has a

much more unstable chemical composition. Urea nitrate decomposes rapidly and usually within 30 days which requires the operator to plan accordingly.

There are of course alternative sources for the production of AN. You may create it from simple household products or buy ice packs. This is appropriate when creating smaller bombs >50 kg. I'm sure they will soon replace AN based icepacks with a different inert compound as well. But there are still many opportunities and there will always be a few methods available to create effective explosives. As for conventional arms, gun laws will continue to be restricted to a degree where it will be quite difficult to acquire fire arms the legal way.

"The Party" demands: The people must be disarmed!

The EUSSR and especially the Western European countries are now deliberately implementing measures to prevent the European peoples from defending themselves through pre-emptive strikes against our multiculturalist dictatorships. Unfortunately for them, Europeans were born with a free will and with creativity beyond comparison. So I say to them; If they take away our AN-fertilizer, we will use AN from Ice packs! IF they take away our ice packs; we will hi-jack propane trucks and use them as secondary explosive charges! If they take away our propane trucks; we will fight them with conventional weapons! If they ban the sale of weapons; we will smuggle in AK-47s from the Balkans and the Middle East!

They cannot prevent us, the European conservatives from eventually seizing political and military power. We will succeed even if we have to create our very own improvised guns.

A tyrant dictatorship is characterized first and foremost by its efforts to disarm the people.

The multiculturalist EUSSR regimes efforts to disarm its own peoples come with a very high price. As the regime loses its confidence in those they swore to serve, the people will lose its confidence in the regime. Mistrust breeds mistrust which directly influences loyalty, unity and productivity. The Western European regimes continuous campaign to disarm its people will result in a climate where it will be easier for the Revolutionary Conservative Movements to continue consolidation. Because people will simply not accept that the multiculturalist regimes of Western Europe continue these disarmament policies.

So we say; instead of justifying the chemical and arms bans by blaming our brave revolutionary conservative martyrs for their pre-emptive strikes, you should look yourself in the mirror and ask yourself why we are defending ourselves in the first place. If you feel a need to disarm your people you should instead change your ways. If you refuse to change your ways then you must expect to be destroyed.

New chemical- and arms-bans means new opportunities

Conservatives must never blame fellow revolutionary conservatives for the arms bans. All conservatives should instead welcome the new opportunities presented with such a ban. In a country where it was possible to legally buy semi-automatic rifles, there was simply little or no market for illegal assault rifles. The ban of semi-automatic rifles will result in the establishment of a black market for such items. This newly established market will even include full-auto rifles and even grenades and rocket launchers. The EUSSR will never be able to eliminate this black market as they are controlled by the criminal drug organisations. And as we know; both drugs and guns are widely available from Eastern Europe, the Balkans and the Middle East. The EUSSR will never succeed to defeat the

drug/arms smugglers because Europe simply has too many bordering countries with lacking security. So, what we, the revolutionary conservatives, initially see as crippling weapons bans can and will in fact result in an even more attractive arms market than the previous one.

3.53 Obtaining and using WMD's against the cultural Marxist/multiculturalist elites

A weapon of mass destruction (WMD) is a weapon that can kill large numbers of individuals and/or cause great damage to man-made structures (e.g. buildings).

The term is often used to cover several weapon types, including nuclear, biological, explosive and chemical weapons. However, nuclear and biological weapons have the unique ability to kill large numbers of people with very small amounts of material, and thus could be said to belong in a class by themselves.

Efforts must be made to employ precision WMD's when fighting the cultural Marxist/multiculturalist regimes of Western Europe, especially explosive weapons (barack-buster type's fertiliser bombs). Other types of WMD's (Biological/Chemical) must be considered as a realistic option as well. Efforts must be made to obtain any of the following WMD's:

Biological weapons

Biological warfare (BW) is the use of pathogens such as viruses, bacteria, other disease-causing agents, or the toxins produced by them as biological weapons (or bio-weapons).

As a tactical weapon, the main military problem with a BW attack is that it would take days to be effective.

Biological agents

Biological warfare is the deliberate use of disease and natural poisons to incapacitate humans. It employs pathogens as weapons. Pathogens are the micro-organism, whether bacterial, viral or protozoic, that causes disease. There are four kinds of biological warfare agents: bacteria, viruses, rickettsiae and fungi. Biological weapons are distinguished by being living organisms, that reproduce within their host victims, who then become contagious with a deadly, if weakening, multiplier effect. Toxins in contrast do not reproduce in the victim and need only the briefest of incubation periods; they kill within a few hours.

Anti-personnel BW

Ideal characteristics of biological weapons targeting humans are high infectivity, high potency, non-availability of vaccines, and delivery as an aerosol.

The biological agents used in biological weapons can often be manufactured quickly and easily. The primary difficulty is not the production of the biological agent but delivery in an effective form to a vulnerable target.

For example, anthrax is considered an effective agent for several reasons. First, it forms hardy spores, perfect for dispersal aerosols. Second, pneumonic (lung) infections of anthrax usually do not cause secondary infections in other people. Thus, the effect of the agent is usually confined to the target. A pneumonic anthrax infection starts with ordinary "cold" symptoms and quickly becomes lethal, with a fatality rate that is 90% or higher. Finally, friendly personnel can be protected with suitable antibiotics.

A mass attack using anthrax would require the creation of aerosol particles of 1.5 to 5 micrometres. Too large and the aerosol would be filtered out by the respiratory system. Too small and the aerosol would be inhaled and exhaled. Also, at this size, nonconductive powders tend to clump and cling because of electrostatic charges. This hinders dispersion. So the material must be treated to insulate and discharge the charges. The aerosol must be delivered so that rain and sun does not rot it, and yet the human lung can be infected. There are other technological difficulties as well.

It is important to note that all of the classical and modern biological weapons organisms are animal diseases, the only exception being smallpox.

In the case of anthrax, it is likely that by 24 - 36 hours after an attack, some small percentage of individuals (those with compromised immune system or who had received a large dose of the organism due to proximity to the release point) will become ill with classical symptoms and signs. Once an individual becomes symptomatic, it has a moderately high mortality effect.

Anthrax

Anthrax is an acute disease caused by *Bacillus anthracis*. It affects both humans and animals and most forms of the disease are highly lethal. There are effective vaccines against anthrax, and some forms of the disease respond well to antibiotic treatment.

Like many other members of the genus *Bacillus*, *Bacillus anthracis* can form dormant spores that are able to survive in harsh conditions for extremely long periods of time, even decades or centuries. Such spores can be found on all continents, even Antarctica. When spores are inhaled, ingested, or come into contact with a skin lesion on a host they may reactivate and multiply rapidly.

Anthrax commonly infects wild and domesticated herbivorous mammals which ingest or inhale the spores while browsing—in fact, ingestion is thought to be the most common route by which herbivores contract anthrax. Carnivores living in the same environment may become infected by consuming infected animals. Diseased animals can spread anthrax to humans, either by direct contact (e.g. inoculation of infected blood to broken skin) or consumption of diseased animals' flesh.

Anthrax spores can be produced in a test tube or in a controlled environment and used as a biological weapon. Anthrax does not spread directly from one infected animal or person to another, but spores can be transported by clothing or shoes and the body of an animal that died of anthrax can also be a source of anthrax spores.

Obtaining anthrax

Anthrax spores can lay dormant for centuries and is almost impossible to destroy. As such, cleanup of anthrax-contaminated areas is considered problematic.

It takes up to three days of burning to completely destroy all spores in a large carcass. The most common approach is therefore to bury carcasses deeply enough to prevent resurfacing of spores. However, this requires much manpower and expensive tools. Some

wildlife workers have experimented with covering fresh anthrax carcasses with shadecloth and heavy objects. This prevents some scavengers from opening the carcasses.

Millions of anthrax sites around the world

The main reason why anthrax is so easily obtainable is that the spores can lay dormant for centuries underground without being destroyed. There have been thousands of animal outbreaks on all continents and it has been used in weaponised form to kill hundreds of thousands of people during several wars (including WW1, WW2). Every buried individual or animal infected with anthrax is to be considered an anthrax source. You only need one single spore to grow several kilograms.

It shouldn't be too hard to either buy anthrax on the black market or locate an anthrax contaminated area/burial site on one of the continents around the world due to the fact that there are millions of them (all containing dormant spores).

Its first modern incidence (as a biological weapon) occurred when Scandinavian "freedom fighters" (the rebel groups) supplied by the German General Staff used anthrax with unknown results against the Imperial Russian Army in Finland in 1916. In 1942, a British bio-weapons trial severely contaminated Gruinard Island in Scotland with anthrax spores of the Vollum-14578 strain, making it a no-go area until it was allegedly decontaminated in 1990.

Cultivating anthrax

Theoretically, anthrax spores can be cultivated with minimal special equipment and less than a first-year collegiate microbiological education, but in practice the procedure is difficult and dangerous. To make large amounts of an aerosol form of anthrax suitable for biological warfare requires extensive practical knowledge, training, and highly advanced equipment.

Even with a good lab (isolation chamber and harvest equipment) and a few staff workers it might take a year to come up with a product of superb quality. The spores in the Daschle letter were 1.5 to 3 micrometres across, many times smaller than the finest known grade of anthrax produced by either the U.S. or Soviet bio-weapons programs. An electron microscope, costs approximately a hundred thousand USD + which is needed to verify that the target spore size have been consistently achieved. However, less than superb quality anthrax is much easier to cultivate and is still very potent.

Concentrated anthrax spores were used for bio-terrorism in the 2001 anthrax attacks in the United States, delivered by mailing postal letters containing the spores. Only a few grams of material were used in these attacks and in August 2008 the US Department of Justice announced they believed that Dr. Bruce Ivins, a senior bio-defence researcher, was responsible.

Bruce Ivins was a right wing, Christian, cultural conservative who allegedly sent several anonymous letters to members of the US Congress and the media causing five fatalities and injuring dozens of others.

Anthrax vaccine

Anyone with ambitions to grow an anthrax strain should first attain immunity through the use of a vaccine combined with a full protective suit w. gas mask or using an isolation

chamber with integrated protective gloves. A proper vaccine is approximately 93% effective in preventing infection.

The trade name is **BioThrax**, although it is commonly called Anthrax Vaccine Adsorbed (AVA). It is administered in a six-dose primary series at 0,2,4 weeks and 6,12,18 months; annual booster injections are required thereafter to maintain immunity.

See also:

2001 anthrax attacks
Guinard Island - site of British bio-weapons trials in 1942
Sverdlovsk Anthrax leak
Unit 731

Chemical warfare

Chemical warfare (CW) involves using the toxic properties of chemical substances as weapons to kill, injure, or incapacitate an enemy.

Chemicals that are toxic enough to be used as chemical weapons, or that may be used to manufacture such chemicals, are divided into three groups according to their purpose and treatment:

Examples include nerve agents, ricin, lewisite and mustard gas.

Easily obtainable chemical agents include:

Uragan D2 (manufactured for killing bugs). Three kilogram is enough to kill as many as 40 000 people. The product is currently only produced by one Austrian company but it is easily obtainable. The "acid gas" vaporises as soon as the hermetically sealed containers are opened. Extremely small doses of this chemical is needed to kill a person.

Nuclear weapons

Small nuclear devices will prove more or less impossible to obtain until perhaps in Phase 2 or 3 (2030-2070). Much will depend on how close the European cultural conservative forces are to seizing control of a British or French nuclear storage facility or if we manage to negotiate with the Russians, Indians or Israelis. Using nuclear weapons would normally inflict too many civilian casualties and it is therefore hard to imagine how nuclear weapons could benefit our cause. The only alternative would be if the devices were small enough to limit its direct and indirect impact to one or possibly two city blocks. Even then, the radiation would have catastrophic results for the environment. However, cleaning up the fallout of a very small charge (0,05-0,1 kt yield) would cost the multiculturalist regime(s) tens, perhaps hundreds of billions of Euros which could result in an earlier collapse (perhaps by even 1-2 decades). An earlier collapse could prevent hundreds of thousands of Europeans from dying depending on the severity of the ongoing civil war or the impending Phase 2 or 3 (a war where 70% of the population are Muslims are obviously much more dramatic than a war where only 40% are Muslims etc.). The Lebanon war is a good reference point. Imagine the following scenario:

The patriotic pan-European resistance movement gain access to 24 small nuclear weapons (0,05-0,1 kt charge). We threaten to detonate the charges in a specific

European capital (major government buildings only, with minimal civilian casualties) unless the Multicultural establishment capitulate and transfers all military and political mandates to a tribunal lead by Cultural Conservatives. Obviously, each country operates independently so it will be a country by country effort starting with France, the UK or Germany (France is the natural choice due to the advancement of the Islamisation. They will refuse the first time because they assume we will not be willing to detonate. They will however most likely capitulate when we threaten to detonate the second charge.

A strike of this magnitude would not only break the budget. It would jam the bureaucratic gears into gridlock, and bring the system crashing down. Fear, turmoil, violence and economic collapse would accompany such a breakdown providing perfect conditions for fostering radical change. Even the smallest nuclear detonation would therefore inflict massive ideological, psychological and economical damage on the target Multicultural regime and is likely to result in full surrender and collapse of the system.

The pragmatical approach to this scenario is for Western European and Russian nationalists to come together. A blueprint and prospect for a future European Federation (under Christian cultural conservative leadership) might end up being the needed catalyst to achieve this goal. Many high level Russian politicians, military leaders and a majority of Russians are likely to be interested in this prospect.

The conclusion is; the threat and willingness to use small nuclear devices can end the European civil war faster and thus save up to hundreds of thousands of lives. However, it will prove more or less impossible to obtain in Phase 1. A well organised resistance group with military contacts will however be able to raid either a UK or French cache/facility during phase 2. This operation alone might end the civil war sooner than we anticipated with us as the victors.

Nuclear EMP attacks (electromagnetic device) from high altitude over major European cities.

Theoretically a missile-launched detonation (or detonation from an air craft) above the earth's atmosphere could cause a catastrophe in the targeted area. The high-altitude electromagnetic pulses from the blast will theoretically lead to severe and primary damage in the electricity grid over a huge area which again will lead to an "economic shutdown".

A nuclear warhead launched from a medium range missile or in an air craft and detonated 20 miles above target location (for example Brussels, Paris, London or any European major city) could cripple an entire country's power grid.

So called HEMP (High Altitude Electro Magnetic Pulse) and its effects could, in theory, bring a country to its knees by crippling power, water and communications. Cars could run out of fuel, cities could be gridlocked and the economy could in effect be "shut down". According to some scientists, recovery could take between four to eight years. As a result the system would come crashing down and the climate would be favourable for a military coup.

Obviously, the primary problem is to provide the nuclear weapons. I assume that a blast equivalent to at least 2+ kilotons would be required.

In comparison, when we first gain access to material equivalent to a 2+ kiloton detonation it would be more logical to use the material to create 20 x 0,1 kiloton devices and target multiple main targets (primary EU/government buildings) than wasting all the material on one single blast 20 miles above a target city. However, when the civil war

has been won and the focus will be on the re-conquering of Anatolia nuclear EMP attacks would be favourable.

Establishing Western European WMD labs or acquirement through "break in" at national facilities

Efforts should be made to create one or more Western European laboratories during Phase 1, 2 or 3. The lab should be created for the purpose of short term intensive cultivation to avoid detection. The products produced in the lab should be distributed to trusted key cultural conservatives in several countries through a straw man.

Break-in at national facilities is certainly an alternative but will prove much more difficult in Phase 1 as it will require relatively large cells. Due to extensive security measures it will involve armed raids which will be very vulnerable to police force counter attacks.

Obtaining WMD's from Russian, Serbian or Israeli Nationalists – a realistic WMD scenario

Obtaining WMD's from our Serbian Nationalist brothers is one of several realistic scenarios in Phase 1. Obtaining it from Russia or Israel is unlikely as they will want to see initial results first but might be of assistance in Phase 2.

I doubt the Russians or Israeli right wing will be accommodating (as they will see it as being too risky and too early) until Phase 2 or 3 but the opportunity is still worth exploring.

Remember, we might fail to get our hands on a biological/chemical WMD's 9 out of 10 but still be considered successful.

Obtaining WMD's from Christian Nationalists in the Middle East – a realistic WMD scenario

Establish contact with our Christian Armenian, Coptic, Maronite, Assyrian brothers in the Middle East (radical nationalist Christians or atheists, obviously not Muslims). There are large concentrations of Copts in Egypt and Maronites in Northern Lebanon.

When establishing contact with nationalists among these groups make sure they are fully aware of our political standpoints, especially in regards to our goal of re-creating future Middle Eastern Christian states. Try to get in contact with scientists or any other competent individuals who might be of assistance in developing biological/chemical compounds or whom are willing to use their networks to obtain high grade anthrax etc.

Smuggling WMD's in to the EU

These materials will be smuggled into European metropolitans using for example professional human traffickers or other potential intermediaries in a later phase of the operation. "Representative looking Europeans", especially females is likely to have an easier time smuggling it into the EU as we avoid the scrutiny often reserved to men of Arab decent.

Effect and employment of WMD's against cultural Marxist/ multiculturalist targets

A briefcase full of high grade anthrax has the potential to kill as many as 200 000 people if dispersed effectively. However, this is not our objective. Our aim is to execute surgically precise attacks with a medium to low amount of casualties (concentrations of category A and B cultural Marxists/ multiculturalists).

The number of civilian loses will be acceptable for certain targets. Certain target building complexes can contain as many as 30-50 category A traitors, 200-300 category B traitors and 2000-3000 category C traitors with an acceptable amount of civilians.

Uragan D2, anthrax or equivalent lethal chemical or biological weapons should be dispersed through ventilation systems of buildings where there are concentrations of category A and B traitors.

The Justiciar Knight will either have to do a break-in during business hours (this will be risky as it will most likely alert personnel which may evacuate the building) or plan ahead by seeking employment as a janitor in the targeted building.

An alternative would be to do a break-in during night time. Several containers with timer/dispersal mechanisms could be placed in strategic locations in the ventilation system.

Our objectives when using WMD's

Our objectives are the same. We will not allow our corrupt and traitorous EU elites to sell the European people in to Muslim slavery. We will not allow them to annihilate Western civilisation, our identities and culture by allowing them to continue to institutionalise and implement multiculturalism.

We demand their full surrender - nothing more, nothing less. Our national militaries will be forced to act if we cause sufficient damage and we might be successful in instigating a premature coup d'état. We might also be successful in forcing the cultural Marxist/multiculturalist elites to open up for negotiations with the cultural conservatives and create some sort of compromise we can all live with. This would involve radical changes and many concessions given on their behalf.

The use of chemical and/or biological weapons is going too far?

If you have moral quarrels remember that the multiculturalists are slowly exterminating us indirectly by allowing Islamic demographic warfare in combination with their refusal to ensure sustainable indigenous fertility rates. It is our duty to defend ourselves, our national sovereignty, our peoples and our cultures. More than 40 000 Western Europeans have died as a result of Muslim atrocities since 1960, more than 1 million European women raped, and more than 5 million Europeans have been ravaged, robbed or brutalised by Muslims. The European civil war started as early as 1999 and you should never forget that fact. We are fighting to seize political and military power and we will continue our struggle until the cultural Marxists/multiculturalists surrender to our demands. Europe must again come under cultural conservative control.

It is your duty to use any and all means necessary to prevent the mass extermination of our cultures, identities and the ongoing genocide of the free peoples of Europe.

Extremely high risk WMD sources:

Obtaining WMD's from Jihadi groups – doubtful but not impossible

An alliance with the Jihadists might prove beneficial to both parties but will simply be too dangerous (and might prove to be ideologically counter-productive).

We both share one common goal. They want control over their own countries in the Middle East and we want control of our own countries in Western Europe. A future cultural conservative European regime will deport all Muslims from Europe and isolate the Muslim world. As a result, the Islamists will gain the necessary momentum to retake power in several countries: Egypt, Saudi Arabia, Turkey, Jordan, Syria, Yemen, Oman, Algeria, Morocco and a few others.

The Jihadists know this very well. An Islamic Caliphate is a useful enemy to all Europeans as it will ensure European unity under Christian cultural conservative leadership.

How this type of scenario could play out:

Approach a representative from a Jihadi Salafi group. Get in contact with a Jihadi strawman. Present your terms and have him forward them to his superiors:

1. Ask for "hudna" (temporary truce) during the discussions/proposal and demand assurances not to be harmed if they reject our offer. Ask if this is acceptable to them.
2. If they accept, try to meet at a neutral place (not like there is a neutral place on Muslim territory) or at least a relatively public place (which will make it harder for them to betray your arrangement) and present your offer. They are asked to provide a biological compound manufactured by Muslim scientists in the Middle East. Hamas and several Jihadi groups have labs and they have the potential to provide such substances. Their problem is finding suitable martyrs who can pass "screenings" in Western Europe. This is where we come in. We will smuggle it in to the EU and distribute it at a target of our choosing. We must give them assurances that we are not to harm any Muslims etc.
3. They will demand that we attack a target with many cultural conservative Europeans, Jews or Americans. This is the main problem when dealing with Jihadists. They view the cultural Marxists/multiculturalists as allies and it is not likely that they will participate in any attacks against them. They will have reservations against doing any harm to especially French, German, Spanish, Norwegian or Swedish cultural Marxist/multiculturalist authorities as they view them as facilitators in Islamising Europe. They will likely push for a British target which is likely to be the pragmatic outcome of the talks. We can compromise as long as there are large enough concentrations of category A and B traitors at any British target but it will be very difficult.

If the talks go through we have to make a choice regarding honouring our part of the deal with them. If we betray them once, they will never trust any cultural conservatives again. In any case, it's an extremely risky operation as they are fully aware of our intentions and agenda. They know we plan to deport all Muslims from Europe once we seize power in the future. The primary argument on our behalf will be that a future cultural conservative regime will isolate the Muslim world, which will make it a lot easier for them to seize power in their own respective countries which will allow them to pursue their dream to create a future Islamic Caliphate. They will screen any individual thoroughly before handing over one million USD worth of anthrax so it won't work to pretend that you are a left wing extremist. This fact and others increases the risk that they may discontinue any talks and instead kill you. Cooperating with Muslims is a very dangerous game and the risk of it backfiring is relatively large. Another factor is that especially European Jihadists are under strict surveillance so any approach will likely be registered by the National Intelligence Agency. Also, it might be viewed by the European people as a traitorous and hypocritical act considering the fact that we are criticising National Socialist for cooperating with Muslims. It might also weaken our relationship with the Israeli right wing. However, we

should be open minded for any future opportunities that might arise under specific and favourable circumstances.

4. Both groups win if the attacks are successful. They are one step closer to a Middle Eastern Caliphate and we are one step closer to a cultural conservative Western Europe. They will try to push us into doing a test attack against cultural conservative Europeans, Jews or Americans. Obviously, this request is not acceptable to us.

Authentication process when acquiring nuclear/biological/chemical weapons from the enemies of our enemies

There might come a time when we, the PCCTS, Knights Templar will consider to use or even to work as a proxy for the enemies of our enemies. This might be an option if we feel that conventional approaches are fruitless or if the intelligence agencies/system protectors working for the Western European regimes successfully manage to neutralise our long term efforts to liberate our countries.

Under these circumstances, the PCCTS, Knights Templar will for the future consider working with the enemies of the EU/US hegemony such as Iran (South Korea is unlikely), al-Qaeda, al-Shabaab or the rest of the devout fractions of the Islamic Ummah with the intention for deployment of small nuclear, radiological, biological or chemical weapons in Western European capitals and other high priority locations. Justiciar Knights and other European Christian martyrs can avoid the scrutiny normally reserved for individuals of Arab descent and we can ensure successful deployment and detonation in the location of our choice.

Nevertheless, we cannot, under any circumstances, accept deployment of nuclear weapons for surface detonation above 0,2 kilotons as it would involve too many civilian casualties. However, smaller devices up to approximately 0,2 kilotons are ideal for annihilating concentrations of category A and B traitors (traitor HQs). This scenario will involve the destruction of up to 1-2 city blocks/HQs with high concentrations of traitors and therefore suits our purpose.

As for aerial detonations, we can accept more powerful devices for the purpose of deploying and detonating it in the atmosphere, with the intent to destroy the infrastructure of criminal Western European regimes through EMP damage. This can also be employed strategically, for example in the first phase of a coup in order to paralyse the defensive forces of the regime (atmospheric EMP blast will paralyze a big portion of communication in any capital city).

The obvious challenge is the fact that the Islamic Ummah, aka "International Islamic Front for Jihad against Jews and Crusaders" and PCCTS, Knights Templar (representing the International Crusader front against Jihadi imperialism) have conflicting goals. Not only are we arch enemies in a war which stretches back 1400 years to the day when the warlord, Muhammad's, forces first started to massacre Jews and Christians in the western Jihadi front. They wish to conquer all Christian European lands and forcefully convert us while we wish to deport all Muslims from Christian territory and isolate them. Regardless of these obvious conflicts, they should understand that we are not imperialists in contrary to the US/EU globalists who seek to maintain the Islamic puppet regimes and force the European way on them. The Islamic Ummah should view our enemies; the US/EU globalists, as a greater threat than we would ever aspire to be. The reason is that we do not wish to destroy Islam but simply to isolate it primarily outside Europe.

Assuming we will ever seek common ground, which is unlikely at best, the problem will be the authentication process. How can the Ummah, the enemy of our enemy, know they

are really dealing with a Justiciar Knight and not a CIA or EU agent? How can it be proved that the individual seeking to become a proxy for the deployment of nuclear/radiological/biological/chemical weapon(s) isn't an undercover agent working for the US or a Western European country's intelligence?

The difference between an agent and a Justiciar Knight is that the latter will be willing to make a great sacrifice for the purpose of proper validation. Now what kind of sacrifice would be great enough to remove all doubt that the candidate is not a EU/US agent? A Justiciar Knight is willing to martyr himself for the cause while a EU/US agent will not be willing to sacrifice much. The entity should demand that the alleged Justiciar Knight in question surgically remove his penis and testicles and/or execute a fixed number of civilian children. While this requirement seems morbid, absurd and unreasonable, it is perhaps the most effective method of confirming the intentions of an individual. Because why would one of the sides part with a powerful weapon which worth exceeds perhaps 100 million Euros? The party would need to make 100% sure that the proxy is trustworthy. A government agent could and would never accept these terms to maintain his cover, but a true Justiciar Knight would willingly sacrifice everything for the cause, including committing smaller atrocities as long as it served the greater good of our cause. He would also be willing to part with these body parts in order to confirm his intent in this validation process. In any case, the entity would have to provide a surgical team to safely complete the operation without risk of loss of life for the Justiciar Knight.

End note: a CIA/EU intelligence agent with a lethal/terminal disease/virus/cancer might be willing to agree to this sacrifice. Therefore, the party has to complete a full medical examination to ensure that the candidate does not suffer from any lethal, terminal condition. If the candidate suffers from a potentially lethal condition he should not be trusted as it is likely that he is an agent working for the US/EU hegemony. Furthermore, the candidate has to provide documentation that he has the professional capabilities required to employ an operation of that scale.

Obviously, the entity has to at least comprehend, if not accept, that the PCCTS, Knights Templar supports a foreign policy which includes the deportation of all Muslims from Europe, the liberation of Western and Eastern Anatolia and the areas north and south of Israel. If they can look past these factors, and all other circumstances are met, we will be willing to consider offering our services as proxies with the intent to deploy these weapons on targets of our choosing.

As previously noted, the PCCTS, Knights Templar do not intend to persecute devout Muslims or enslave them under puppet leaders in their own Islamic countries like today's EU/US leaders are doing. Our only intention is to partly isolate the future European Federation. We do not necessarily oppose the creation of a caliphate lead by devout Muslims in the Middle East. And we do not support the current EU/US hegemony's policy of maintaining the ongoing cultural and financial imperialism which involve maintaining the corrupt pro-Western puppet regimes in Islamic countries.

The option of cooperating with the Ummah seems unlikely today, as we haven't reached a stage where we are desperate enough, but may be a viable option within a couple of decades based on several factors. Until then, it is our responsibility to always search for or contribute to create windows of opportunities. Our enemies, the cultural Marxist/multiculturalist criminal regimes of Western Europe have more enemies than we can imagine. The greatest disadvantage of the Conservative European Resistance movement, including PCCTS, Knights Templar is that we lack safe havens; we lack territory where we can gather components, develop and build powerful weapons. The greatest disadvantage of the Ummah however is to safely smuggle and deploy their weapons into and on European territory, as they lack "invisible proxies" able to avoid scrutiny. As such, our advantages vs. disadvantages fulfil each other. We owe it to ourselves to consider all possibilities.

Why Anthrax is considered one of the most effective WMD's

The use of anthrax has an excellent "shock effect" and is likely to result in massive media coverage.

Economic impact

The 2001 anthrax attacks; cleanups at a US Senate office building, several contaminated postal facilities and other U.S. government and private office buildings showed that decontamination is possible, but it is time-consuming and costly. Clearing the Senate office building of anthrax spores cost \$27 million, according to the Government Accountability Office. Cleaning the Brentwood postal facility outside Washington cost \$130 million and took 26 months.

In addition, the US government have spent several billion USD to research and develop various vaccines and countermeasures. The cultural Marxist/ multiculturalist elites of Europe will have to invest similar amounts.

Example of a good Anthrax campaign

Anthrax can be distributed/dispersed by using targeted mailing campaigns, either by mail courier or through regular mail. 2,5 grams is the maximum amount of anthrax powder that could be put in an envelope without making a suspicious bulge. The quantity in the envelope sent to Senator Tom Daschle in October 2001 was 2 grams.

Create an overview of all category A and B traitors in your city region or country

Research the name and address of every single individual. Buy the necessary equipment and prepare to produce and print letters.

Example message:

José Manuel Durão Barroso

In reference to a letter sent to your political party and/or your office a few years ago;

Paste in Fjordmans letter: A European Declaration of Independence or anything similar

We regret to inform you that you have been flagged by the Portuguese and pan-European cultural conservative Military and Criminal Tribunal as a "Category A traitor" for your involvement in the crimes against all free Europeans.

You have deliberately used your influence in a way which makes you indirectly or directly guilty of the listed charges:

List definition of crimes; 1-8 (found in this document)

We, the European military order and tribunal; Commilitones Christi Templique Solomonici – PCCTS, the Knights Templar, on behalf of the free indigenous peoples of Europe, condemn you to death for your involvement in the listed crimes against the peoples of Europe.

Your sentence will be carried out by targeted execution (by a Justiciar Knight or another cultural conservative/nationalist) during Phase 1, Phase 2 or Phase 3 of the ongoing European Civil War; If not today, then tomorrow, in ten years, or as soon as we are in a position to do so. Note that multiculturalism is a self-defeating ideology when combined with Islamisation. In a few decades, when Islam has reached 50% in certain countries, the people will cry out loud for cultural conservative leadership to save them. As soon as we seize power in Western Europe, or in your specific country, you can be assured that we will arrest and execute every single category A and B traitor. We know who you are, where you and your family live and we are aware of your exact involvement in the listed crimes.

However, the ongoing European civil war is now in Phase 1. In this regard we are willing to grant all categories; A, B and C traitor's amnesty for the specified crimes provided you fulfil certain conditions. You must immediately and without hesitation use your influence to carry out a minimum of duties in order to rectify the damage you have caused through your involvement in the listed crimes.

The only way to be granted amnesty is thus to build a verifiable "track record" by publicly renouncing your past political stance.

Specifically;

- You are to renounce multiculturalism and work for its immediate removal from all government policies and school curricula. Furthermore, you are to actively work against the ongoing Islamisation of Europe.
- You are to support policies for the continuation of the cultural heritage and traditions of the indigenous populations.
- You are to demand that all Muslim immigration in whatever form should be immediately and completely halted, and that our authorities take a long break from mass immigration in general until such a time when law and order has been re-established in our major cities. Furthermore, you must not stand in the way of future Muslim deportations.

If these duties are not fully carried out, you will lose this one-time-offer of amnesty.

Whatever you chose to do, you cannot change the outcome of a future cultural conservative victory in Europe. We will not allow you and your fellow conspirators to sell the people of Europe in to Muslim slavery.

Time is of the essence, it is in your interest to show where your loyalty is. A Justiciar Knight or another cultural conservative will find your name at the top of his list and may be on his way to carry out sentence while you are reading this announcement.

Sincere regards,

Commilitones Christi Templique Solomonici
European Military Order and Tribunal

Consider to add:

You may contact the Portuguese and pan-European cultural conservative Military and Criminal Tribunal by visiting the following website:

www.xxxx.com - If website is offline, search up the term "2083" on www.google.com and enter one of the designated cultural conservative websites (the official cultural conservative - category A and B traitor register which should be created some time in the future). Register with name, address and official verifiable e-mail address and go to: priority lists. Punch in one of the following codes on the "category A traitor page":

Webpage stating:

Accusation

If you have received this letter you are flagged as a category A or B traitor. Feel free to forward an official statement to us by selecting the different codes (indicating your position to the following accusations (charges 1-8). We are therefore allowing you to remove or change your status in our system.

Charges 1-8:

I will deliberately contribute to destroy Western Civilisation, European cultures and identities and continue to support the Islamisation of Europe through allowing demographic warfare (mass Muslim immigration and high birth rates).

I seek to clarify my position for the following charges 1-8:

- 1. I intend to continue with my current stance, because I am a cultural Marxist.
- 2. I intend to continue with my current stance, because I am a humanist or a capitalist globalist and believe in a one-world-philosophy (where Islam is included).
- 3. I don't like what I'm doing but I feel my career is more important than anything else. If I change my viewpoints I will lose my job which is unacceptable.
- 4. I just go with the flow and haven't given it much thought. I don't really care about what happens to Europe 30 years from now.
- 5. I am a cultural conservative but if I renounce my current political line I will lose everything, which is not acceptable.
- 6. I will renounce my current political line, because of your threats. I do not share your views at all.
- 7. I will renounce my current political line, no further comment.
- 8. I will renounce my current political line as I am a cultural conservative at heart.

It should be noted that even if the letters (mailing campaigns) doesn't contain real anthrax but instead a hoax powder, it will still have very beneficial results. Many cultural Marxist/multiculturalist elites will defect, quit politics, their media, university, artist position as a result. Some may even realise what they are doing/have done and may join our struggle. Many of the so called "category A and B" traitors aren't truly cultural Marxists/multiculturalists. Many are just "going with the flow" and will therefore re-evaluate their involvement in future activities.

“Decisive-blow” campaigns – high grade anthrax mailing campaigns

Provided we have established a laboratory in Europe and the necessary equipment, we would be able to launch a “decisive-blow-campaign”.

This operation will involve at least 21 individuals (depending if we already have the necessary amount of high grade anthrax) and will require a complete database of all category A and B traitor names, addresses etc. Personnel needed: 1 administrator, 20 for distribution.

Would require 818(409) kilograms of anthrax (2(1) grams of anthrax per targeted individual):

France – 65 650 category A and B traitors
Germany – 82 820
United Kingdom – 62 216
Netherlands – 16 665
Belgium – 10 807
Sweden – 9393
Norway – 4848
Luxembourg – 498
Switzerland – 7777
Spain – 47 167
Italy – 60 600
Portugal – 10 807
Denmark – 5555
Ireland – 6060
Greece – 11 312
Finland – 5353
Iceland – 322
Cyprus – 800
Malta – 417

Denmark, Greece, Finland, Iceland and perhaps Italy should be excluded from the list.

There are a total of 409 067 category A and B traitors in Western Europe according to the current classification system (1010 per million).

Be creative; create a letterhead which is likely to be forwarded directly to the target individual.

Sources:

http://en.wikipedia.org/wiki/Biological_weapons
http://en.wikipedia.org/wiki/Chemical_weapons
http://en.wikipedia.org/wiki/Weapons_of_mass_destruction
<http://en.wikipedia.org/wiki/Anthrax>

Sabotage operations

"Ask for no mercy, and give none."

3.54 Sabotage operations - the most efficient ways to cripple the current Western European multiculturalist regimes

Primary military objectives of the PCCTS, Knights Templar:

1. Shock attacks (assassinations included)
2. Sabotage attacks

Before we start discussing strategies for sabotage we have to agree on the foundational premise for the valuation of sabotage over shock attacks.

A regime, in our case all the cultural Marxist regimes of Western Europe, cannot be defeated without devastating/paralyzing the fundament of the regime. The primary fundament of a regime is its economy. Of course, a shock attack will contribute to weaken a regimes economy but specific and advanced sabotage missions aimed at weakening a regime economically is an essential requirement in order to eventually defeat it. No regime in history has ever been overthrown before it has first been considerably weakened through multiple shock/sabotage attacks. The reason is that the people will not rise and fight for their ideals as long as we live in economical prosperity. The various Western European armed resistance groups basis for existence is to keep recruiting. As long as a society has a thriving economy this will be literally impossible due to the fact that the regime would be able to keep the unemployment rate at a minimum. We will struggle with recruitment in the first decades of the civil war, phase 1 – 2010-2030, but as the national economies are gradually crippled (primarily through decreasing national cohesion, allowing China to join the WTO/globalisation, radicalisation of Muslims and other factors) we will experience an increasing recruitment rate due to increased EU unemployment rate. The people of Europe will be willing to stand up and fight for their principles when they are already suffering. As such, it must be a priority to contribute to cripple the cultural Marxist regimes economies further through our emphasis on sabotage operations, using any and all means available.

We have covered the importance of shock attacks in other chapters. The most efficient shock attacks are successful operations launched against the cultural Marxist category A and B traitors themselves targeting government buildings, media HQs and other concentrations of cultural Marxist/multiculturalist elites. Alternatives include assassinations. The primary purpose of shock attacks is not necessarily to cause as much infrastructure/personnel damage as possible (with the exception of harming as many category A and B traitors as possible) but to rather sow terror in the hearts of our enemies and everyone supporting them, thus inflicting massive ideological damage.

An equally important task will be sabotage missions. The primary purpose of sabotage missions is to cause system disruptions or contribute to gradual but devastating economic losses to the cultural Marxist regime. The most potent and efficient way of doing this is to select targets and use means that will trigger secondary reactions and effects. These secondary reactions/effects can be for example pollution/oil spills (requiring extremely expensive cleanup operations), damage on the electricity or communications net.

The common factor for both types of operations (shock or sabotage) is that we must keep civilian casualties at an absolute minimum.

Before you start your research in potential sabotage targets you must study historical cases (accidents/attacks):

Top 9 list of sabotage targets

This includes property damage and expenses incurred related to the accidents/ attacks with secondary effects such as the subsequent cleanup and industry losses. Many of these accidents/attacks involve casualties which obviously cannot be measured in currency terms. Each life lost is priceless and is not factored into the equation.

9. Tanker Truck vs Bridge \$358 Million

On August 26, 2004, a car collided with a tanker truck containing 32,000 litres of fuel on the Wiehltal Bridge in Germany. The tanker crashed through the guardrail and fell 90 feet off the A4 Autobahn resulting in a huge explosion and fire which destroyed the load-bearing ability of the bridge. Temporary repairs cost \$40 million and the cost to replace the bridge is estimated at \$318 Million.

8. MetroLink Crash \$500 Million

On September 12, 2008, in what was one of the worst train crashes in California history, 25 people were killed when a Metrolink commuter train crashed head-on into a Union Pacific freight train in Los Angeles. It is thought that the Metrolink train may have run through a red signal while the conductor was busy text messaging. Wrongful death lawsuits are expected to cause \$500 million in losses for Metrolink.

7. Phillips Disaster - Oct. 23 1989 Pasadena, Texas, - \$1,4 Billion*

The Phillips Disaster refers to a devastating series of explosions and fire in October of 1989, near the Houston Ship Channel in Texas, USA. The initial blast registered 3.5 on the Richter Scale, and the conflagration took 10 hours to bring under control. Some 23 employees were killed and 314 were injured. An explosion affected all facilities within the complex, causing \$715.5 million worth of damage plus an additional business disruption loss estimated at \$700 million.

6. Oklahoma City Bombing – \$1,5 Billion (based on 9/11 numbers minus 25%)

The Oklahoma City bombing was a terrorist attack on April 19, 1995 aimed at the Alfred P. Murrah Federal Building, a U.S. government office complex in downtown Oklahoma City, Oklahoma. The attack claimed 168 lives and left over 800 injured. Until the September 11, 2001 attacks, it was the deadliest act of terrorism on U.S. soil, and remains the deadliest act of domestic terrorism in American history. Within days after the bombing, Timothy McVeigh and Terry Nichols were both in custody for their roles in the bombing. Investigators determined that McVeigh and Nichols were sympathisers of an anti-government militia movement and that their motive was to avenge the government's handling of the Waco siege and Ruby Ridge incidents.

5. Exxon Valdez \$2.5 Billion

The Exxon Valdez oil spill was not a large one in relation to the world's biggest oil spills, but it was a costly one due to the remote location of Prince William Sound (accessible only by helicopter and boat). On March 24, 1989, 10.8 million gallons of oil was spilled when the ship's master, Joseph Hazelwood, left the controls and the ship crashed into a Reef. The cleanup cost Exxon \$2.5 billion.

4. Piper Alpha Oil Rig \$3.4 Billion

The world's worst off-shore oil disaster. At one time, it was the world's single largest oil producer, spewing out 317,000 barrels of oil per day. On July 6, 1988, as part of routine maintenance, technicians removed and checked safety valves which were essential in preventing dangerous build-up of liquid gas. There were 100 identical safety valves which were checked. Unfortunately, the technicians made a mistake and forgot to replace one of them. At 10 PM that same night, a technician pressed a start button for the liquid gas pumps and the world's most expensive oil rig accident was set in motion. Within 2 hours, the 300 foot platform was engulfed in flames. It eventually collapsed, killing 167 workers and resulting in \$3.4 Billion in damages.

3. Prestige Oil Spill - \$12 Billion

On November 13, 2002, the Prestige oil tanker was carrying 77,000 tons of heavy fuel oil when one of its twelve tanks burst during a storm off Galicia, Spain. Fearing that the ship would sink, the captain called for help from Spanish rescue workers, expecting them to take the ship into harbour. However, pressure from local authorities forced the captain to steer the ship away from the coast. The captain tried to get help from the French and Portuguese authorities, but they too ordered the ship away from their shores. The storm eventually took its toll on the ship resulting in the tanker splitting in half and releasing 20 million gallons oil into the sea.

According to a report by the Pontevedra Economist Board, the total cleanup cost \$12 billion.

2. World Trade Center (terrorist attacks), Sept. 11, 2001 - \$39 billion*

With images of burning towers seared into our collective memory, the 9/11 attacks need no introduction. Although not typically thought of as a 'fire,' the 9/11 attacks resulted in the most costly blaze in our country's history. What's more, 9/11 was also one of the most expensive catastrophic events of any kind: only hurricanes Katrina and Andrew were more financially devastating.

1. Chernobyl \$200 Billion

On April 26, 1986, the world witnessed the costliest accident in history. The Chernobyl disaster has been called the biggest socio-economic catastrophe in peacetime history. 50% of the area of Ukraine is in some way contaminated. Over 200,000 people had to be evacuated and resettled while 1.7 million people were directly affected by the disaster. The death toll attributed to Chernobyl, including people who died from cancer years later, is estimated at 125,000. The total costs including cleanup, resettlement, and compensation to victims has been estimated to be roughly \$200 Billion. The cost of a new steel shelter for the Chernobyl nuclear plant will cost \$2 billion alone. The accident was officially attributed to power plant operators who violated plant procedures and were ignorant of the safety requirements needed.

*Loss figures are from the National Fire Protection Association

Identify high priority off shore targets in the following countries:

France, UK, Germany, Norway, Sweden, Spain

Focused targets:

- Industrial/petro/gas/energy installations (on shore/off shore)
- Crude oil tankers/LNG carriers close to coasts or close to off shore oil installations.

Choose targets wisely and ensure that the secondary effects will have devastating effects.

A one man cell will have limited capabilities. However, providing a truck/boat loaded with explosives is within the capabilities of any single individual. It might take 1-2 years to safely acquire (without causing suspicion) the materials needed for this bomb but the resource vs. effect ratio is magnificent. In theory a 50 000 Euro operation has the potential to cause economical losses for to our enemy in the range 1-3 billion Euro.

Also, keep in mind that tankers carrying crude oil are sectioned (they might not sink if only one section is compromised) so it is essential to hit a cross section (two sections minimum) during a blast (or to ensure that you have enough load). This can f example be achieved by using a fishing boat loaded with explosives. Study the different oil platforms. Know that the crude oil and/or liquid gas is always stored in the hollow foundations/pillars of the platform (the 1-4 supporting blocks). Know that according to EU regulatives all oil platforms have mandatory emergency rescue ships within a certain radius for the purpose of rescuing personnel in case of disaster so the civilian casualties will be minimal.

Also, there is usually barracks on shore housing military units responsible for maritime counterrterrorism in case of terror attacks. These professional military personnel have high speed boats and in some cases helicopters available in case of potential hi-jacking scenarios (they often train for platform raids). However, they will not be able to prevent an attack if you use the following guidelines:

1. Know the area, onshore and offshore. Study naval maps, google satellite maps (through safe browsing ofc).
2. Acquire a verifiable front or at least an alibi to have a boat in the vicinity.
3. Consider serving on a local fishing boat in the area prior to operation. Learn whatever skills you need to complete your mission. Acquire contacts within the local fishing community and establish solid alibis for your undercover/acquisition period.
4. Make accurate estimations/research of military/coast guard response times, location of nearby bases. Do they have access to nearby fighter jets/helicopters? Are the helicopters armed with rockets/missiles/machine guns or not? The restricted parameter surrounding offshore rigs are usually no more than 500 metres so a loaded fishing vessel should have no trouble reaching the rig before military personnel has any chance to respond. The rig

personnel will call it in when you are fastening the load (boat) to one of the pillars. Escape using a jetski or other mini vessel.

Estimated time needed for planning/preparation for operation: 1-3 years.

Damage potential for single cell ,Justiciar Knight, with a budget of 30 000-100 000 Euro:

Successful attack on oil platform resulting in the collapse of 2 out of 4 foundational blocks; the platform will collapse and possibly sink.

Estimated primary and secondary damage (due to massive oil spills):

Total damage: 2 – 40 billion Euro in total losses + massive shock effect which will temporarily destabilise the global crude prize and stock indexes (particularly on a national level).

Overview of a European offshore oil/gas rigs, refineries etc.

See field overview (2008):

http://en.wikipedia.org/wiki/St_Fergus_Gas_Plant

NOTE: It is essential to ensure that the field is still operational and that it is not close to depletion.

There are Norwegian, British and Danish sectors of the North Sea and all countries have several platforms located over a large area.

United Kingdom production of oil and gas

All BP fields in British territory are operated from their office in Dyce, Aberdeen. This includes some fields not strictly in the North Sea itself. Fields in the Norwegian sector are operated from Stavanger.

Onshore:

- Wytch Farm in Dorset

Southern North Sea:

- Amethyst gas field
- Cleeton gas field
- Ravenspurn gas field
- West Sole gas field

Central North Sea:

- Andrew oil field
- Cyrus oil field

ETAP complex

- Marnock
- Mungo
- Monan
- Machar
- Mirren
- Madoes

- Erskine gas field
- Everest gas field
- Harding oil field
- Lomond gas field
- Miller oil field

Northern North Sea:

- Bruce oil field
- Magnus oil field

West of Shetlands:

- Clair oil field
- Foinaven oil field
- Schiehallion oil field

Norwegian production of oil and gas

- Hod oil field
- Tambar oil field
- Ula oil field
- Valhall oil field

Other Norwegian fields:

- Ekofisk
- Troll oil field
- Statfjord oil field
- Gullfaks oil field
- Oseberg oil field
- Snorre oil field

- Sleipner gas field
- Heimdal gas field

French production of oil and gas

About 1.2 Mt (24,000 bbl/d) of oil and natural gas liquids are produced annually in France. This production is extracted from several dozen small fields located in the Paris Basin and the Aquitaine Basin.

Marketed gas production (1.1 billion cu.m per year, or 100 Mcftd) comes almost entirely from Aquitaine, with Lacq field deep pool accounting for about 75% of overall production.

Although France's oil and gas production covers only a tiny part of domestic demand, it is nevertheless a source of economic value, as attested by the fact that some ten companies work in the two main basins. With oil prices at their current high level, this production is profitable, and would remain so even with considerably lower prices.

How to access to technical data on oil and gas exploration and production?

Much of the data is stored by the Office of Oil & Gas Exploration and Production (BEPH) and is easily accessible.

- BEPH publications give detailed information on oil and gas upstream activity in France.
- BEPH archives contain a virtually complete collection of documents related to oil wells drilled in France (almost 6000 wells). BEPH can also help companies to retrieve old geophysical data. Much of this data is easily available to the public at reasonable cost. This is particularly the case for well data.
- IFP (French Petroleum Institute) has published regional studies on the petroleum geology and prospectivity of France's sedimentary basins.

German production of oil and gas

Germany produced 170,000 barrels per day (bbl/d) of oil in 2005, of which 67,000 bbl/d (39 percent) was crude oil.

Germany had 2007 natural gas production of 14.3 billion cubic metres and natural gas consumption of 82.74 billion cubic metres.

Due to its central location in Europe, Germany is a major natural gas pipeline transit hub for imports from Russia and the North Sea. The 440-mile Minveraloelverbungleitung (MVL) connects the cities of Rostock, Schwedt, and Spergau in eastern Germany. According to the 2008 BP Statistical Energy Survey, Germany had a 2007 refinery capacity of 2390.38 thousand barrels a day.

Companies and Organisations linked to Oil and Gas in Germany

<http://www.mbendi.com/indy/oilg/eu/de/p0005.htm#Directories>

Swedish production of oil and gas

According to the 2008 BP Statistical Energy Survey, Sweden had a 2007 refinery capacity of 421.72 thousand barrels a day.

Total oil production based on country, 2008 (Thousand Barrels Per Day):

Austria	24 847
Belgium	11 224
Denmark	288 848
Finland	9 789
France	70 801

Germany	150 798
Greece	4 891
Italy	162 201
Netherlands	72 093
Norway	2 465 955
Portugal	7 861
Spain	28 128
Sweden	3 572
Switzerland	3 244
UK	1 583 868

Dry Natural Gas Production (Billion Cubic Feet)

Austria	54
Denmark	356
France	32
Germany	578
Ireland	15
Italy	327
Netherlands	2 991
Norway	3 503
UK	2 469

Production of Natural Gas Plant Liquids (Thousand Barrels Per Day)

Netherlands	9 984
Norway	274 746
UK	137 342

Total Petroleum Stocks, End of Period (Millions Barrels)

Austria	23
Belgium	35
Denmark	23
Finland	31
France	179
Germany	277
Greece	40
Ireland	11
Italy	128
Luxembourg	1
Netherlands	131
Norway	30
Portugal	25
Spain	138
Sweden	37
Switzerland	36
UK	99

Overview of W. European refineries

Refined petroleum products

- Motor gasoline
- Jet fuel
- Kerosene
- Distillate fuel oil
- Residual fuel oil
- Liquified petroleum gases

Austria

Schwechat Refinery, OMV, 175 000 bpd

Belgium

Total Antwerp Refinery, (Total), 352 000 bpd
Exxon Mobil Antwerp Refinery, (ExxonMobil), 333 000 bpd
Antwerp N.V. Refinery, (Petroplus), 115 000 bpd
BRC Antwerp (Petroplus), 110 000 bpd

Denmark

Kalundborg Refinery, (Statoil), 110 000 bpd
Fredericia Refinery, (Royal Dutch Shell), 68 000 bpd

Finland

Porvoo Refinery, (Neste Oil Oyj), 160 000 bpd
Naantali Refinery, (Neste Oil Oyj), 40 000 bpd

France

Gonfreville l'Orcher Refinery, (Total), 343 000 bpd
Provence Refinery, (Total), 155 000 bpd
Flandres Refinery, (Total), 160 000 bpd
Donges Refinery, (Total), 231 000 bpd
Feyzin Refinery, (Total), 119 000 bpd
Grandpuits Refinery, (Total), 99 000 bpd
Port Jerome Gravenchon Refinery, (ExxonMobil), 270 000 bpd
Fos sur Mer Refinery, (ExxonMobil), 140 000 bpd
Reichstett Refinery, (Petroplus), 77 000 bpd
Petit Couronne Refinery, (Petroplus), 142 000 bpd
Berre L'Etang Refinery, (Royal Dutch Shell), 80 000 bpd
Lavera Marseilles Refinery, (Ineos), 220 000 bpd
Fort de France Refinery, (Total), 00,000 bpd Partial List

Germany

Schwedt Refinery (PCK Raffinerie(Shell/PDVSA/BP/AET), 210 000 bpd
Ingolstadt Refinery (Bayernoil(OMV/Agip/PDVSA/BP)), 262 000 bpd

Ingolstadt Refinery (Petroplus) 110 000 bpd
Ruhr Oel Refinery (PDVSA/BP), 246 000 bpd
Buna SOW Leuna Refinery (Total), 222 000 bpd
Wilhelmshaven Refinery (ConocoPhillips), 220 000 bpd
Rheinland Werk Godorf Cologne Refinery (Royal Dutch Shell), 162 000 bpd
Miro Karlsruhe Refinery (MiRo(Shell/ExxonMobil/PDVSA/BP/Conoco)) 285 000 bpd
Burghausen Refinery (OMV) 70 000 bpd
Mitteldeutschland Spergau Refinery (Total) 227 000 bpd
Emsland Lingen Refinery (BP) 80 000 bpd
Elbe Mineralölwerke Hamburg-Harburg Refinery (Royal Dutch Shell)
Erdölwerk Holstein Heide Refinery (Royal Dutch Shell)
Hamburg (Holburn) Refinery (Tamoil) 105 000 bpd

Greece

Aspropyrgos Refinery, (Hellenic Petroleum), 135 000 bpd
Elefsina Refinery, (Hellenic Petroleum), 100 000 bpd
Thessaloniki Refinery, (Hellenic Petroleum), 66 500 bpd
Corinth Refinery, (Motor Oil Hellas), 100 000 bpd

Ireland

Whitegate Refinery, (ConocoPhillips), 71 000 bpd

Italy

Sarpom Trecate, Novara Refinery, (ExxonMobil 74.1%/ERG 25.9%), 200 000 bpd
Esso Augusta Refinery, (ExxonMobil), 190 000 bpd *
Sarroch Refinery, (Saras SPA), 300 000 bpd
Rome Refinery, (Total 77.5%/ERG 22.5%), 90 000 bpd
Falconara Marittima Ancona Refinery, (APIOIL), 85 000 bpd
Mantova Refinery, (IESItaliana), 55 000 bpd
Impianti Sud Refinery, (ISAB/ERG), 214 000 bpd
Impianti Nord Refinery, (ISAB/ERG), 160 000 bpd
Milazzo Refinery, (ENI/KNPC) 80 000 bpd
Sannazzaro de Burgondi Refinery, (ENI) 160 000 bpd
Gela Refinery, (ENI) 100 000 bpd
Taranto Refinery, (ENI) 90 000 bpd
Leghorn Livorno Refinery, (ENI) 84 000 bpd
Porto Marghera Venice Refinery, (ENI) 70 000 bpd
Cremona Refinery, (Tamoil) 80 000 bpd
Iplom [1] Busalla, Genoa

Norway

Slagen Refinery, (ExxonMobil), 110 000 bpd
Mongstad Refinery, (Statoil), 200 000 bpd

Portugal

Porto Refinery, (Galp Energia), 100 000 bpd
Sines Refinery, (Galp Energia), 200 000 bpd

Spain

Bilbao Refinery, (Petronor), 220 000 bpd
Puertollano Refinery, (Repsol YPF), 140 000 bpd
Tarragona Refinery, (Repsol YPF), 160 000 bpd
La Coruna Refinery, (Repsol YPF), 120 000 bpd
Cartagena Refinery, (Repsol YPF), 100 000 bpd
Tenerife Refinery, (CEPSA), 90 000 bpd
Palos de la Frontera Refinery, (CEPSA), 100 000 bpd
Gibraltar Refinery, (CEPSA), 240 000 bpd
Castellon Refinery, (BP), 100 000 bpd

Sweden

Nynäshamn Refinery (Nynäs Petroleum), 90 000 bpd
Preemraff Göteborg Refinery (Preem), 90 000 bpd
Preemraff Lysekil Refinery (Preem), 220 000 bpd
Shell Göteborg Refinery, (Royal Dutch Shell), 70 000 bpd

Switzerland

Cressier Refinery, (Petroplus), 68 000 bpd
Collombery-Muraz Refinery, (Tamoil), 45 000 bpd

The Netherlands

Shell Pernis Refinery, (Royal Dutch Shell), 416 000 bpd
Botlek Refinery (ExxonMobil) Rotterdam 195 000 bpd)
Vlissingen Refinery (Total/Lukoil) 149 000 bpd
BP Refinery Rotterdam (BP) 400 000 bpd)
Kuwait Petroleum Europoort Refinery (Kuwait Oil Company) 80 000 bpd
Koch HC Partnership Refinery (Koch) 80 000 bpd

United Kingdom

Lindsey Oil Refinery, (Total), 223 000 bpd
Milford Haven Refinery, (Total/Murco), 100 000 bpd
Pembroke Refinery, (Chevron), 210 000 bpd
Stanlow Refinery, (Royal Dutch Shell), 246 000 bpd
Port Clarence Teeside Refinery, (Petroplus), 117 000 bpd
Fawley Southampton Refinery, (ExxonMobil), 300 000 bpd
Humber Refinery, (ConocoPhillips), 221 000 bpd
Coryton Refinery, (Petroplus), 208 000 bpd
Grangemouth Refinery, (Ineos), 205 000 bpd

Refinery output of Jet Fuel based on country, 2008 (Thousand Barrels Per Day):

Austria	10 137
Belgium	40 434
Denmark	10 784
Finland	14 683
France	119 984
Germany	102 486
Greece	39 896
Italy	61 945
Netherlands	132 238
Norway	14 850

Portugal	15 929
Spain	59 189
Sweden	5 295
Switzerland	4 044
UK	141 107

Evaluation of targets – oil rigs vs. gas rigs and production facilities vs. refineries/storage

Despite of my limited experience with in depth petro structure analysis I will give my insight based on my general knowledge of the various potential targets.

Oil rigs vs. gas rigs

The stored liquefied natural gas in the pillars would cause a significantly larger secondary blast compared to that of crude oil. If my understanding is correct, a secondary gas blast (given that the pillar storage areas are full or semi full) would more or less completely destroy the structure and is likely to sink it. The devastation would be total. However, costs related to rig accidents are also related to secondary effects such as spills/pollution. Liquefied gas is easily dispersed in water and would cause minimal pollution effects compared to that of crude oil which coagulates and poses a significant environmental threat (and hence results in extremely expensive cleanup operations). It is uncertain which target would result in the highest economical losses. If you have enough explosives (3000-6000 kg) I would go for the oil rig. However, if availability of explosives is scarce (1000-3000 kg) I would go for the gas rig.

Oil refineries vs. gas terminals/refineries

Refineries and gas terminals (linking sea based pipelines to land based pipelines) are all land based and are therefore less vulnerable to single source explosions.

The principle of availability of explosives can be applied here as well. Certain parts of gas terminals and refineries are significantly more vulnerable to explosions as the liquefied gas will serve as a secondary blast catalyzator and enhance the devastation. However, it is essential that the correct part of the refining/terminal structure is targeted. The whole point is to trigger a secondary reaction or even a chain reaction resulting in maximum devastation and thus maximum direct and indirect economical losses.

Crude oil or gasoline/benzene storage facilities

Storage facilities are often intentionally placed at remote locations far away from valuable and expensive infrastructure. As such, targeting storage facilities will result in limited direct and indirect losses.

Using LNG vessels (liquefied natural gas tanker ships and tanker trucks) as weapons

LNG vessels are considered significantly more potent as weapons compared to benzene/gasoline vessels.

LNG has a significant blast effect while the effect of benzene/gasoline is usually limited to an incinerating effect.

The problems however is that the hijacking of LNG tankers (for the purpose of detonating them close to rigs or priority coastal structures will be difficult due to the maritime anti-terror forces who have trained specifically for such scenarios and usually is within a 20 minute radius.

Conclusions

Such devastating sabotage attacks, which have the potential to cripple a countries economy, should not be employed by resistance fighters in countries where there are realistic possibilities for a democratical regime shift or where the people have not undergone two decades of severe mental conditioning (brainwashing) and should therefore be limited to Western Europepan countries.

These types of economically devastating operations should be employed in countries beyond hope of saving through democratical means (due to decades of severe ideological brainwashing) such as:

Germany, France, UK, Sweden, Norway, Belgium, Netherlands, Luxembourg, Switzerland, Austria etc.

3.49 Buying the required lab equipment before the manufacture or preparation of explosives/chemical-biological compounds

I've reviewed more than 100 instructions/guides on how to create various explosive devices and/or compounds. However; I've never seen a relevant lab-equipment guide which explains what is required and what it is used for when manufacturing given explosives. I therefore decided to include most of the information you need to know in this compendium:

The basics – Chemistry knowledge required

Despite what others might say; you don't need any formal training in order to manufacture explosives. I have studied hundreds of various guides, recipes and instructions and can honestly say that it is a relatively safe venture as long as you take the necessary precautions and avoid the most volatile explosives. The competence required really depends on which compound you are working with. Certain manufacturing techniques require a simple distillation process while others require a fractional distillation. You may need to purify substances through a process called crystallization. You don't really need a bachelor or master degree to learn what you need to create explosives. As long as you are extremely careful and take the required precautions, there is a 90-95% chance you will succeed without any accidents. And if there are any accidents, the compound doze you are working with is likely to be small enough for you to get out of the situation without serious injuries.

It should be noted, though, that 30% of the registered explosions in the US are accidents. And according the Marxist terrorist and mass-murderer Che Guevara; half of the people he sent to manufacture explosives blew themselves up (probably due to them using lacking instructions, ignoring precautions and using open flames.

Required laboratory equipment

You can probably survive using kitchen ware but considering the low cost of laboratory glass ware, I really recommend investing in the following items. The primary reason is because laboratory grade glassware is specifically designed for heating, while kitchen glass ware may break if heated directly on a hot plate with potentially fatal consequences. DO NOT under any circumstances use an open flame heater. Always use an electrical heater, preferably a hot plate stirrer. A majority of accidents relating to explosives involves open flames or individuals dropping explosive materials on the floor so be careful.

Safety equipment recommended:

- Bucket of cold water: 5 € (any kitchen store)
- Fire extinguisher: 100 € (various stores)
- Hazmat suit: F example: Lakeland DuPont HazMat Suit Tychem: 11-50 USD (Ebay). A hazmat suit with boots and hood isn't necessarily needed for making explosives. It is however needed for handling pure nicotine and ricin. Considering how inexpensive it is, you might as well use one while creating explosives.
- 3M 6800 full face respirator with appropriate filters (choose Organic Vapor/Organic Vapor-Acid/Organic Vapor-Acid-Gas filters) depending on the chemicals you will be working with. You can buy this facemask with filters from Ebay for as low as 100 USD.

Laboratory safety:

Obviously, we are able to follow some but not all of the following guidelines due to our limited resources:



Electrical equipment required:

- Freezer: 50-100 € (second hand item, don't put chemicals in your food freezer, to avoid contaminating your food, you need a separate one). Most freezers are able to go as low as -30 Celsius.
- Refrigerator: 50-100 € (second hand item, don't put chemicals in your food refrigerator, you need a separate one)
- Hot Plate Stirrer: 200 € (second hand or new item). I would really recommend investing in a hot plate stirrer. It's a magnetic stirrer with adjustable stirring speed and adjustable heating so that you may heat up certain compounds (in beakers or conical flasks) without the dreadful task of stirring for 1-2 hours straight. Check Ebay and choose a Chinese supplier. I got mine for 200 Euro, shipping included (found the supplier on Ebay). European versions cost 500-1000 € in comparison.

Renting a lab

Many individuals make the mistake of using their urban apartment as a lab. Firstly; if anyone (neighbours, friends, family) sees you wearing a respirator face mask/hazmat suit they will notify the system protectors. If they accidentally find any of your equipment they may notify the system protectors. If anyone smells chemical odors in your block they will also notify the system protectors. Don't be an idiot and take unnecessary risks. Rent a small cottage/farm in an isolated place. If you can't afford to, then you shouldn't be working with explosives anyway and should consider limiting your operation to one which only requires guns.

- Rent a cottage in the rural parts of your country for this purpose. The cottage needs to have electricity and running water. Cost: 100-500 € per month. You probably need the place for at least 3 but up to 6 months depending on the quantity of explosives you intend to manufacture.
- Camouflaging your lab: invest in "fog stickers" to temporarily put on all windows, or use curtains. You may have to open 1-2 windows to ensure proper ventilation so make sure no one can look directly in by placing panels or something else to cover the lines of sight. Cost: 20-50 €.

Glass ware and other basic lab equipment

1 x Funnel, glass 70 mm: 5 €
1 x Funnel, glass 50 mm: 4 €
4 x Funnel, plastic 100 mm: 8 € (purification through coffee filter x 4)
1 x Trakt i plast PP 45 mm: 2 €
1 x Thermometer -40-+110: 4 € (for oven)
2 x Thermometer -10-+110: 4 € (20 cm long glass variant)
1 x Graduated Cylinder 500 ml: 18 € (for measuring liquids)
1 x Crystallization cup 140-400 mm: 14-50 (a lasagna glass dish is a cheaper alt)
2 x Glass Beaker 2000 ml: 47 €
2 x Glass Beaker 1000 ml: 27 €
4 x Glass Beaker 600 ml: 24 €
2 x Glass Beaker 250 ml: 12 €
1 x Beakertongs: 7 (tongs to grab boiling hot beakers)
1 x Conical Flask (Erlenmeyer Flask) 1000 ml: 14 €
1 x Conical Flask 500 ml NN (narrow neck): 8 €
1 x Conical Flask 500 ml WN (wide neck): 8 €
6 x Pharmaceutical Bottle, glass (dark brown) 200 ml: 8 € (storage of detonator charge/primary expl. underwater)
2 x Pharmaceutical Bottle, glass (dark brown) 500 ml: 4 € (storage of primary expl)
3 x Pharmaceutical Bottle, glass (dark brown) 1000 ml: 7 € (storage of primary expl)
1 x pH-paper 0-14, 100 strips: 11 €
1 x Porcelain Dish 80 mm: 2 € (for boiling on top of conical flask)
2 x Glass rod, stirring rod 6 x 200 mm: 2 €
5 x Drop counter: 5 €
1 x Acid resistant gloves: 6 €
100 x Latex Gloves: 11 €
1 x Lab-apron: 9 €
1 x Mortar w. Pestle 100 mm: 11 €
2 x Pipette bottle, plastic 100 ml: 2 €
2 x Plastic box, storage, square 500 ml: 6 €
1 x Plastic box, storage, square 250 ml: 2 €
1 x Plastic box, storage, square 100 ml: 2 €
1 x Spoon with spatulas, 150 mm: 2 €
1 x Spatulas 21 cm: 049610 - 14 - 2 €
1 x Cleaning brush: 4 €

1 x Beaker brush 21 cm: 3 €
1 x Tube brush 400 mm: 5 €
2 x Plastic container 31 x 43 x 15: 19 € (for evaporation of liquids)
25 x Syringe and needle, 1 ml: 6 € (for injecting pure nicotine into hollow bullets)
100 x Filter paper 125-200 mm: 3 € (fits into large funnels)
1 x Single electrical cooking plate: 23 € (in case you need an extra)

Note: There was a minimum order of 10 for certain items from the supplier I selected. Therefore, I had to buy more glass beakers and conical flasks than needed. Still, I have only listed the required amount of equipment and not the surplus amount I bought. Conical flasks are often better than beakers due to the ease of using funnels etc. in them, + the liquid inside doesn't evaporate as quickly due to the narrow neck of the conical flask.

End note: I tried to contact three international suppliers of second hand lab ware (one German, one British and one US) but they all advised me to just order from a national/local supplier, as glass ware is usually bought locally/nationally due to their relatively low cost. So just contact for example the local supplier in your country who supplies high schools and colleges/universities or alternative suppliers.

3.49 Manufacturing explosives - Recommended explosives

An explosive device is usually divided into 3 separate charges:

1. Primary charge/detonator (Usually not more than 6-20 g)
2. Secondary charge – booster charge (Usually not more than 50 g to 2 kg)
3. Tertiary charge (the bulk of the explosives, 50-5000 kg)

The size of your primary and secondary charge relies on the quantity, quality and purity of your tertiary charge. I have concluded that the following explosives are the most suitable for my purpose (as of 2010) based on a variety of factors:

DDNP as detonator (primary charge)
Picric Acid as booster (secondary charge)
ANFO/or ANNM (tertiary charge)

I will try to point out some challenges and present advice regarding which compounds are still available to us as of 2010

How to locate bomb-making recipes, guides and other relevant instructions on the internet

Before starting your "explosives research phase" you must at least use services such as anonymizer.com which hides your IP. Anonymizer.com's service offers you, as far as I know, a decent level of protection as of 2010. Try to avoid forums and sites that seems

suspect in regards to surveillance. Try not to register your name etc. in order to get access to forums.

The first week of my "explosive research phase" I googled for 200 hours over the course of 2 weeks. I was worried that I had to use obscure search engines if google had banned many search phrases or sources, but to my surprise google seemed to be fully functional in this regard. There are a lot of various explosives forums around (for example: roguesci.org/theforum) which will discuss in depth concerning hundreds of different recipes and methods of manufacture explosives. There are hundreds of various books out there about this subject. However, most of them are quite difficult to locate unless you know the title of the book. I will provide a list of descent books you can locate:

List

Improvised Primary Explosives (PDF)
Revised Black Book – A Guide To Field-Manufactured Explosives – William Wallace
Home and Recreational Use of High Explosives – Ragnar Benson (PDF)
Igniter, High Temp, How to make it (PDF)
Ragnars Detonators (PDF)
ANNM (PDF)
Nitromethane explosives (PDF)
Nitromethane Liquid Explosive (PDF)
Mujahideen Explosives Handbook (PDF)

I also found two libraries on thepiratebay.org called:

"Forbidden Knowledge" (15 books)



and another really large file containing more than 200 books and a ton of files:

"Explosives Books Collection" (639 files)

You do not have to spend 2 weeks studying the above literature as I have included the most important information (providing you manage to acquire the materials).

Manufacturing explosives – worth it or not?

Everyone should be aware of the fact that the EUSSR intelligence agencies have successfully uncovered and apprehended 200-300 Jihadi cells on European soil since 9/11. 95%+ of them was in the process of creating explosives. Imagine if these individuals had ignored explosives altogether and instead focused on small arms operations. If they had, they would have successfully murdered more than 1000 Europeans by now. These were all Mujahedeen though with an apparently rigid mentality.

All Justiciar Knights must ask themselves; should I manufacture explosives or just stick to fire arms? This decision really boils down to what you expect to accomplish. A well planned assault with an assault rifle may kill 30 category B traitors, while an unsuccessful explosive manufacturing process might result in 1 dead Justiciar Knight and thus 0 traitor executions. Also, there is a 30% chance of being apprehended during an explosive manufacturing process (for a non-blacklisted person with no criminal record) which doubles for every person involved. For a blacklisted individual (blacklisted by the

intelligence agency) there is less than 10% chance for success with the manufacture of explosives. If he includes 3 other blacklisted individuals this 10% chance is reduced to 3%.

So the question remains; is it really worth risking your life for a military operation with only 3% success rate? It is probably worth it if you have a realistic chance (50%+) of successfully creating a 500 kg truck bomb, which has the capability to destroy a medium or large building, thus instantly executing 100-300 category A, B and C traitors. However, if your bomb is only likely to have the capacity to kill 1-15 individuals, you are probably better off focusing on perfecting a small arms operation. Because a small arms operation should result in 10-30 executions for single cell operations, 20-60 executions for duo cell and 30-90 executions for triple cell. So before you decide whether you want to incorporate an explosive component to your operation; be pragmatic and always choose a realistic option which reflects your capabilities. Never choose operations which has a lower than 50% success rate, unless the payoff is exceptionally high. Be ambitious but at the same time; don't be naive. The manufacturing of explosives is not for anyone and should NOT be the goal for everyone. A successful mission MUST be the ultimate goal for any and all Justiciar Knights, and for the most part; this will include limiting your operation to small arms shock attacks of undefended concentrations of category A, B and C traitors.

Primary charge/detonator (Usually not more than 6-20 g)

Blasting cap/Primary Explosives

A blasting cap is a small sensitive primary explosive device generally used to detonate a larger, more powerful and less sensitive secondary explosive such as TNT, dynamite or plastic explosive.

1. Non electric caps
2. Electric caps
3. Fuse caps

Most blasting caps contain what is called a primary explosive. A blasting cap may also contain a booster, another explosive to make the cap more powerful, and thus more reliable for detonating secondary stable explosives.

Primary explosives can detonate by the action of a relatively weak mechanical shock or by a spark; if used in the form of blasting caps, they initiate the booster which then initiates the main explosive. They are also filled in percussion caps mixed with friction agents and other components. An initiating explosive must be highly brisant and must have a high triggering velocity. The most important/popular primary explosives are Mercury Fulminate, DDNP (diazodinitrophenol), Acetone Peroxide (AP), HMTD (Hexamethylene Triperoxide Diamine), PETN (too difficult to produce), Lead Azide, Lead Trinitroresorcinate, Silver Azide, and Tetrazene.

Description of the four most popular primary explosives:

Acetone Peroxide

Stability: EXTREMELY unstable

Risk: Unacceptable (30%+ chance of blowing yourself up)

Easy to manufacture: relatively easy

Very popular among Jihadi terrorists and probably the easiest compound to manufacture (although Hydrogen Peroxide is increasingly harder to acquire due to EU anti-terror laws). I only found one single UK supplier on Ebay for the 30% liquid. However, do not try to create this as it is EXTREMELY unstable (sensitive to friction and shock). It is a 40% probability that you will end up blowing yourself up.

Mercury Fulminate

Stability: VERY unstable

Risk: Somewhat acceptable (15%+ chance of blowing yourself up)

Easy to manufacture: relatively easy

Very popular among recreational users. This compound is noticeably more stable than AP but still carries VERY HIGH risk as it is unstable and sensitive to friction, shock and even to static electricity. 5 times more safe than AP.

DDNP (Diazodinitrophenol)

Stability: unstable (But significantly more stable than AP and considerably more stable than MF)

Risk: Somewhat acceptable (less than 5-10%+ chance of blowing yourself up)

Easy to manufacture: moderately easy

When creating a blasting cap it is recommended that you choose DDNP as it is significantly less sensitive than MF and AP, yet still sensitive enough to effectively initiate all boosters and many secondary explosives. It still carries HIGH risk as it is unstable and sensitive to friction, shock and to a degree static electricity. 10 times more safe than AP. The charge however must be a minimum of 6 g and confined in order to detonate properly.

If I had to choose a compound in which to produce I would select DDNP first, then either MF or HMTD.

HMTD (Hexamethylenetriperoxidediamine) – Not properly reviewed

Hexamethylenetriperoxidediamine, or H.M.T.D., is a primary explosive, very good for a home manufacturer due to the ingredients, which in Europe is very easy to find. It is a better initiator, and less sensitive, than Mercury Fulminate, and more storage stable than C.T.A.P. VoD is 5100 m/s at 1.10 g/cm³. Relative briscancy = 0.35.

Like all explosives, in particular organic peroxides, this should not be stored for extended periods of time. It gradually decomposes (although I have a very old sample which is still fine), and there have been some cases of spontaneous detonation. I think this is due to insufficient washing, however.

Not properly reviewed. My impression is that DDNP is a better option. You might want to choose HMTD if you are having problems acquiring the materials for DDNP.

The best and safest choice as of 2010 would be DDNP:

DDNP - General information

4,6-Dinitrobenzene-2-diazo-1-oxide,
Synonyms: DINOL, Diazodinitrophenol

FORMULA: C₆H₂N₄O₅

VoD: 4400 m/s @ 0.9 g/cc. 6600 m/s @ 1.5 g/cc. 6900 m/s @ 1.6 g/cc. 7000 m/s @ 1.63 g/cc.

EQUIVALENCE: # 8 cap = 0.7 g. # 6 cap = 0.5 g.

SENSITIVITY: Friction: less sensitive than mercury fulminate. Small quantities burn like guncotton. Will detonate in quantities larger than 6 g.

DRAWBACKS: Obscure chemicals needed.

COMPATIBILITY: Nearly all high explosives and metals.

ADDITIONAL INFORMATION: Lead block expansion: 326 cc./10 grams

The recommended primary explosive is DDNP because it's non toxic, easy to make and not too sensitive. The sensitivity of DDNP to friction is much less than that of mercury fulminate, but it is approximately that of lead azide. DDNP is used with other materials to form priming mixtures, particularly where a high sensitivity to flame or heat is desired. DDNP is often used as an initiating explosive in propellant primer devices and is a substitute for lead styphnate in what are termed "non-toxic" (lead free) priming explosive compositions.

DDNP (diazodinitrophenol) is a primary high explosive. It is extensively used in commercial blasting caps that are initiated by black powder safety fuse. It is superior to mercury fulminate in stability but is not as stable as lead azide.

DDNP does not detonate when unconfined, but when confined has a velocity of 6900 VOD. For an initiating explosive it is relatively insensitive to friction and impact, but still is powerfull when confined. DDNP has good properties of storage.

Important:

The diazodinitrophenol must be dried before it will explode. Drying will take 24 hours if done at room temperature, or in 2 hours if the crystals are placed in a beaker suspended in hot water. The diazodinitrophenol must be stored in a sealed glass container. Storing the explosive moist, about 25% water, will increase safety. Dry immediately before use.

DDNP safety

Do not store this material dry for long periods of time. For storage, store submerged in water-free kerosene in tightly sealed amber glass bottles away from light.

DDNP is desensitized by immersion in water.

Booster charge – secondary charge (Usually not more than 50 g to 2 kg based on size of tertiary charge)

Picric Acid

A booster containing 100-500 g of Picric Acid is used to amplify the Blasting Cap, which together will set off the 50 kg + tertiary explosive. Picric acid is also one of the components in DDNP so selecting PA as booster and DDNP as the blasting cap reduces the complexity of production and total variety of materials required. The booster is placed in a metal cylinder (coated with a layer of plastic on the inside) and the blasting cap. The blasting cap consists of a smaller metal cylinder (again coated with a layer of plastic on the inside) which is placed inside the larger booster cylinder. Ensure that the cylinder walls have a plastic layer/acid resistant epoxy to prevent the PA or the DDNP from coming in contact with metal.

I've added three separate descriptions of a PA production method based on Aspirin (and I've chosen not to merge the information) as insights from three sources will teach the reader alternative considerations and aspects of the production process.

Picric Acid (booster), 500 g made to 50 kg+ of secondary explosive

Form: colorless to yellow solid/crystal needles

Melting point: 122,5 C

Boiling point: >300 C (Explodes)

Solubility in water: 14.0 g/L

Insoluble in cold water

Sensitivity: Impact: moderate, Friction moderate-low: water sens: moderate

VOD: 7350 M/S

Must be stored wet with at least 10-20% water

General information about Picric Acid

PA used to be the most common high explosive before TNT was commercialized and was used as the primary explosive for munitions during the First and Second World War.

Picric acid is considered in the same category as TNT, the only drawback of Picric acid is that it reacts with metals.

Picric Acid can be mixed with olive oil as a means of reducing sensitiveness.

These explosives are relatively insensitive and are used to strengthen the explosion of the detonator. These explosives are classified as a high explosive.

Additional production tips

Boiling sulfuric acid will concentrate it to above 90% which is more than adequate for making picric acid.

When washing, use only cold water (because it is soluble in hot water)

The next morning the picric acid will be found to have separated in crystals. These are transferred to a porcelain filter, washed with small portions of water until the washings are free from sulfate, and dried in the air.

The crude product, which is equal in quality to a good commercial sample, is purified by boiling it with water, in the proportion of 15 grams to the liter, filtering hot, and allowing to cool slowly. The heavy droplets of brown oil which dissolve only slowly during this boiling ought to be discarded. Pure picric acid crystallizes from water in pale yellow flat needles,

Common Questions and Answers

The only problem I had while making it was that when you dump the finished nitrated liquid into ice water to precipitate the picric acid, a lot of the picric dissolves in the water. Is there any way to get the dissolved picric out of the water? Ensure you have enough ice and add just a little at a time. Keep it cool or it will fail to precipitate properly.

Safety – Picric Acid:

CAUTION! THIS COMPOUND MAY EXPLODE INSTANTLY WHEN TOUCHED WITH METAL

Also, don't inhale any of the fumes given off during the nitrate addition to the acid mix. Do all the heating and mixing outdoors or counter by having good ventilation in addition to wearing a gas mask (3M with acidic/vapor/organic filter).

It is best handled in a wet 10 percent distilled water form, as picric becomes very unstable when completely dry. This compound should never be put into direct contact with metal, since instantly on contact there is a formation of metal picric, which explodes spontaneously upon formation.

Any metal in contact with picric acid should be coated with an acid proof paint or an epoxy coat.

Modern safety precautions recommend storing picric acid wet. Dry picric acid is relatively sensitive to shock and friction, so laboratories that use it store it in bottles under a layer of water, rendering it safe. Glass or plastic bottles are required, as picric acid can easily form metal picrate salts that are even more sensitive and hazardous than the acid itself.

Safety glasses, adequate ventilation. If working with anything other than a solution or the wet solid full face protection is essential.

Maintain at least a 20% water content at all times. Never try to open a bottle of picric acid if crystals are visible at the rim of the bottle, even if the bottle contains water, since the friction when the cap is twisted may be sufficient to detonate the acid.

When the substance goes beyond a certain timeframe, it can become dangerous to transport so produce not longer than 2-4 weeks before use.

Unstable; may detonate if struck, heated or ground. Highly flammable if dry. May explode if dry - keep wet at all times. Keep water content above 20%. Incompatible with strong oxidizing agents, bases, most common metals, ammonia, strong reducing agents. Avoid shock, friction, heat. Compounds formed by reaction with metals are usually shock-sensitive explosives. The most serious hazard associated with this chemical is the risk of explosion, which is severe if the acid is dry. Nevertheless, it is at least 10-20 times as safe to handle (in regards to shock/friction, in dry form, compared to AP (A. Peroxide).

Shells which are to be loaded with these explosives are first plated on the inside with tin or painted with asphaltum varnish or Bakelite.

Always keep a bucket full of cold water close to production site in case everything goes wrong. Dump the compound in the bucket if you all else fail.

Manufacturing method 1 – Picric Acid/Trinitrophenol (from aspirin, Acetylsalicylic Acid)

1. The following is a list of the ingredients and their quantities for the manufacture of Picric Acid/Trinitrophenol (from aspirin, Acetylsalicylic Acid). The quantities are given in grams and ounces. The ingredients are: Aspirin (Acetylsalicylic Acid), Potassium Dichromate, Nitric Acid, and Sulfuric Acid. The quantities are: Aspirin (Acetylsalicylic Acid) 100g, Potassium Dichromate 10g, Nitric Acid 100ml, and Sulfuric Acid 100ml. The procedure is as follows: 1. Dissolve the Aspirin (Acetylsalicylic Acid) in a small amount of water. 2. Add the Potassium Dichromate to the solution. 3. Add the Nitric Acid to the solution. 4. Add the Sulfuric Acid to the solution. 5. Heat the solution to boiling. 6. Filter the solution. 7. Wash the residue with water. 8. Dry the residue. 9. The product is Picric Acid/Trinitrophenol.

Manufacturing method 2 – Picric Acid/Trinitrophenol (from aspirin, Acetylsalicylic Acid)

1. The following is a list of the ingredients and their quantities for the manufacture of Picric Acid/Trinitrophenol (from aspirin, Acetylsalicylic Acid). The quantities are given in grams and ounces. The ingredients are: Aspirin (Acetylsalicylic Acid), Potassium Dichromate, Nitric Acid, and Sulfuric Acid. The quantities are: Aspirin (Acetylsalicylic Acid) 100g, Potassium Dichromate 10g, Nitric Acid 100ml, and Sulfuric Acid 100ml. The procedure is as follows: 1. Dissolve the Aspirin (Acetylsalicylic Acid) in a small amount of water. 2. Add the Potassium Dichromate to the solution. 3. Add the Nitric Acid to the solution. 4. Add the Sulfuric Acid to the solution. 5. Heat the solution to boiling. 6. Filter the solution. 7. Wash the residue with water. 8. Dry the residue. 9. The product is Picric Acid/Trinitrophenol.

Manufacturing method 3 – Picric Acid/Trinitrophenol (from aspirin, Acetylsalicylic Acid)

1. The following is a list of the ingredients and their quantities for the manufacture of Picric Acid/Trinitrophenol (from aspirin, Acetylsalicylic Acid). The quantities are given in grams and ounces. The ingredients are: Aspirin (Acetylsalicylic Acid), Potassium Dichromate, Nitric Acid, and Sulfuric Acid. The quantities are: Aspirin (Acetylsalicylic Acid) 100g, Potassium Dichromate 10g, Nitric Acid 100ml, and Sulfuric Acid 100ml. The procedure is as follows: 1. Dissolve the Aspirin (Acetylsalicylic Acid) in a small amount of water. 2. Add the Potassium Dichromate to the solution. 3. Add the Nitric Acid to the solution. 4. Add the Sulfuric Acid to the solution. 5. Heat the solution to boiling. 6. Filter the solution. 7. Wash the residue with water. 8. Dry the residue. 9. The product is Picric Acid/Trinitrophenol.

Manufacturing method 4 – Picric Acid/Trinitrophenol (from aspirin, Acetylsalicylic Acid)

1. The following is a list of the ingredients and their quantities for the manufacture of Picric Acid/Trinitrophenol (from aspirin, Acetylsalicylic Acid). The quantities are given in grams and ounces. The ingredients are: Aspirin (Acetylsalicylic Acid), Potassium Dichromate, Nitric Acid, and Sulfuric Acid. The quantities are: Aspirin (Acetylsalicylic Acid) 100g, Potassium Dichromate 10g, Nitric Acid 100ml, and Sulfuric Acid 100ml. The procedure is as follows: 1. Dissolve the Aspirin (Acetylsalicylic Acid) in a small amount of water. 2. Add the Potassium Dichromate to the solution. 3. Add the Nitric Acid to the solution. 4. Add the Sulfuric Acid to the solution. 5. Heat the solution to boiling. 6. Filter the solution. 7. Wash the residue with water. 8. Dry the residue. 9. The product is Picric Acid/Trinitrophenol.

Alternative booster:

Bullseye booster - 100
A high explosive can be composed out of Bullseye powder. Nitrocellulose is added to a quarter kilo of Bullseye until it is the consistency of thick gel. Then one eighth of a kilo of pure ammonium nitrate (from old packs) is added to a half kilo. This is placed in a plastic bag and detonated in a metal pipe with #8 detonator. This has twice the power of 10.

Tertiary charge (the bulk of the explosives, 50-5000 kg)

ANNM (ammonium nitrate + nitromethane), also known as Kinepak
ANFO (ammonium nitrate + fuel oil)

Both ANFO and ANNM requires confinement for optimal detonation and brisance. ANNM usually contains a 60:40(kinepak) mix of AN and NM (60% ammonium nitrate, 40% nitromethane by mass), though this results in a wet slurry. However, a smaller portion of NM may be used. Sometimes more AN is added to reduce liquidity and make it easier to store and handle, as well as providing an oxygen-balanced mix. ANNM is also more sensitive to shock than standard ANFO and is therefore easier to detonate. These factors, plus its higher RE and VOD, make it a popular explosive among recreational users. ANNM detonates at 22,700 fps.

The quality of your end product really depends on the AN, how fine it is and the quality. Industrial ANNM (used for blasting) is 10% NM with medium prills of AN. Higher strength versions include aluminium dust but it should be a microfine dust to get best results.

ANFO on the other hand requires 93% AN and 7% FO by weight (official recommendation by Dupont). However, In practice, a slight excess of fuel oil is added to compensate for any evaporation. ANFO generally requires a booster in order to detonate. The booster will basically increase the effect of the blasting cap to ensure reliable detonation. It is better to create a larger booster than necessary to avoid taking unnecessary risks. The purer AN you have the smaller booster you will need and vice versa. A 500 kg main ANFO charge should have a 500 g booster and a 10 g blasting cap, to be safe.

Ammonium Nitrate (AN) - KNO₃

Ammonium nitrate is a very popular fertilizer in the EU and elsewhere in the world, accounting for about 9 percent of all fertilizer used.

Evaluating fertilizers - optimal purity grade of Ammonium Nitrate

Normally, you would need a minimum of 32% nitrogen in the fertilizer in order to create "an optimal detonation". However, 27% nitrogen fertilizers will do the job as well as long as you use a larger booster.

A rather confusing factor regarding the nitrogen value; 27% nitrogen (f example labeled as 27-0-0) does NOT mean that there is only 27% AN content. In most, if not all, N-fertilizers you will find aprox 80% AN content. In so called "CAN" fertilizer (Calcium Ammonium Nitrate) you will usually find approximately 75-80% AN and 20-25% Calcium.

One source I found states the following:

If the Nitrogen in the NH₄NO₃ is 30-33% then you need 5-10 g of booster.
If the Nitrogen in the NH₄NO₃ is 20-25% then you need 15-20 g of booster.

which indicates that lower purity nitrogen fertilizer will still detonate properly as long as you use a larger booster/blasting cap. For 50 kg of CAN (Calcium Ammonium Nitrate) I would use a 200-500 g booster. For 500 kg of can I would use a 500 g to 2 kg booster.

Will the CAN 27 fertilizers available at my supplier detonate without purification?

Despite more than 6 weeks of research, and reviewing hundreds of guides and a ton of forum posts, I was unable to confidently answer the following essential questions:

1. Will the following AN fertilizers (N-fertilizers) detonate without further purification or will the Calcium, Magnesium and Sulfur additives make the AN inert and thus unsuitable without purification?
2. Will the prills/granules of these specific fertilizers absorb diesel and/or nitromethane or has these products been compacted and treated with a compound that prevents absorption of liquid so that we would first have to pulverize the prills/granules?

Ironically, it wasn't until I reviewed a state funded anti-terror site I was finally able to find the answers I was looking for.

So let's try to answer our two questions;

1. Yes, calcium has been added to attempt to inert (make impotent) or to make the fertilizer non-explosive. The good news is that it would require 80% Calcium mixed with 20% AN to make the fertilizer completely inert. The only thing they accomplish with adding 20% Calcium Carbonate is to make it a little harder to detonate. It will for example make it hard to properly detonate smaller charges of the fertilizer (>50 kg). This forces the handler to use larger amounts of fertilizer (<100 kg) and use larger boosters. CAN fertilizer (Calcium Ammonium Nitrate) is the best option when manufacturing explosives (unless you can get your hands on pure AN which is increasingly harder to acquire in large quantities). Also, according to a forum source, CAN fertilizer is the best option to use for purification of AN through crystallization.
2. Yes; they have deliberately made the granules/prills less porous (they have compacted them) with the intention of making it harder for each granule/prill to easily absorb fuel oil. They have therefore made it harder for us to manufacture and prepare large quantities of AN explosives. However, this is easily bypassed by pulverizing the granules using a wood-roller on a wood board. It is a tedious task to pulverize 500-2000 kg of CAN fertilizer but the labour invested will be rewarded with a considerably more potent product. CAN fertilizer should be detonated under confinement or it may not detonate at all. Also, try to add as much, 400 mesh, flaked aluminium powder (up to 15% by weight) to nullify the desensitizing effect the 20% Calcium Carbonate has on the compound. Finer or coarser aluminium powder (atomized included) will work as well but 400 mesh, flaked aluminium powder is optimal, according to the book: Kitchen Improvised Explosives. Mixing this pulverized compound with diesel requires a specific approach, one which I lack experience on atm, but I will find a good way when I get that far.

Which types of fertilizer can I use without the need to purify them?

The following 4 fertilizers are so called N-fertilizers from the Norwegian fertilizer manufacturer Yara; one of the largest fertilizer manufacturers in the EU's inner market. Important note: It is the N fertilizers that are suitable for manufacturing explosives, NOT NPK, NK, NP, PK, P or K fertilizers.

CAN N27 (CAN 27-0-0)

Kalkammonsalpeter where the nitrogen consists of equal parts of ammonium and nitrate. Magnesium and calcium has been added into this mix in unknown quantities. Sold in a 500 kg bag. CAN is probably an abbreviation for Calcium-Ammonium-Nitrate.

27% nitrogen total (N) 13,5% nitrate/NO₃ and 13,5% ammonium/NH₄
5% Calcium (Ca)
2,4% Magnesium (Mg)

OPTI KAS 27-0-0 (OPTI-KAS is a brand name of Yara)

Kalkammonsalpeter where the nitrogen consists of equal parts of ammonium and nitrate. Magnesium and calcium has been added into this mix in unknown quantities. Sold in a 600 kg bag.

27% nitrogen total (N) 13,5% nitrate/NO₃ and 13,5% ammonium/NH₄
4,3% Calcium (Ca)
2,4% Magnesium (Mg)

OPTI-NS 27-0-0 (4S) (OPTI-NS is a brand name of Yara)

27% nitrogen total (N) 13,5% nitrate/NO₃ and 13,5% ammonium/NH₄
6% Calcium (Ca)
0,7% Magnesium (Mg)
3,7% Sulfur (S)

Sulfur-CAN 27-0-0 (4S)

27% nitrogen total (N) 13,5% nitrate/NO₃ and 13,5% ammonium/NH₄
5,4% Calcium (Ca)
4,5% Sulfur (S)

According to wiki Kalkammonsalpeter fertilizers (the two first alternatives, out of the four) contains approx 74% ammonium nitrate (NH₄NO₃) and 26% Calcium as Calcium Carbonate (CaCO₃). So even though the nitrogen level is stated as being 27% (very misleading) the total AN level of the fertilizer is 75-80%. It is a bit confusing, I know.

EUSSRs efforts to make common explosive materials inert

The Western European multiculturalist regimes have made our job and duty (to prevent the Islamic colonization of Europe through demographic warfare) a lot more difficult as they have gone to great efforts to desensitize and thus rendering inert explosive chemicals that can be directly mixed and then made to detonate. A desensitized mixture can be more difficult to initiate (cause to explode) or may explode with a dramatically reduced energy output. A material that is difficult to initiate also requires a more energetic initiation scheme (larger booster). Taken to its ultimate conclusion, desensitization renders a material inert or unable to detonate. Desensitization cannot eliminate the threat posed by bomb making and use, but it places a heavier burden on us, thus increasing the likelihood that we will revert from explosive shock attack strategies and move toward operations which involve mass execution of category A and B traitors using firearms and smaller bombs instead.

Here is a section of the EUSSR strategy:

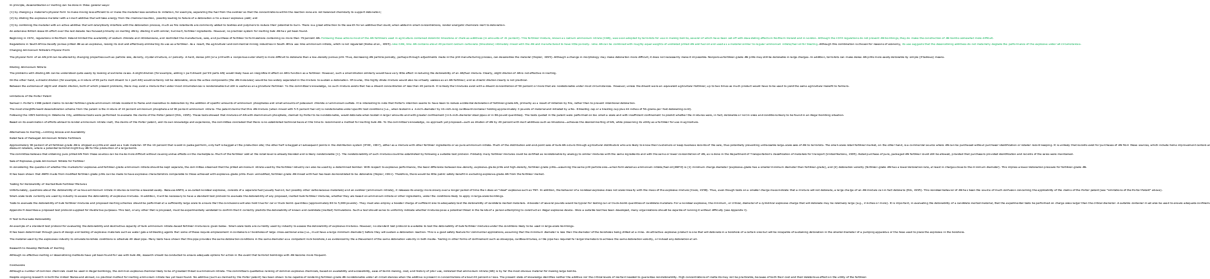
The "EU Marxist-Islamic committee for the facilitation of the successful Islamic colonization of Europe" adopted legislation which is basically just a cut-n-paste job from US legislation which was implemented after the Oklahoma bombing and 9/11.

The legislation focuses on the following:



The "inerting committee" focused on the following compounds by creating the following report:

Strategy to render bulk AN inert



Other inerting additives/experiments you should be familiar with is:



Source:

1. Fertilizer-grade AN fertilizer labeled as 34-0-0 in hardware store nomenclature is 34 percent nitrogen by weight. Most small-scale retail fertilizers intended for home and garden use typically include some fraction of phosphorus and potassium, represented by the other two digits in the fertilizer marking system.

http://www.nap.edu/openbook.php?record_id=5966&page=106

How to purify fertilizer grade Ammonium Nitrate

In its pure form: KNO_3 , ammonium nitrate can be detonated with a 6 dynamite cap at a blast radius of 14,000 feet per second. However, KNO_3 has become increasingly difficult to acquire.

CAN fertilizer that "looks right" might result in an inert compound as many substances are hard to fraction out as they were intentionally put there to prevent easy distillation. A small amount of Magnesium or Sulfur does not make the fertilizer inert. However, I don't have enough time to research which purification method that should be used to remove these compounds, if this is desirable.

Before buying the fertilizer check the composition of the mixture. 32(34)-00-00 is the absolute best option and can even be used without purification but unfortunately, the EU banned it several years ago. You need a minimum of 32% purity on the AN. The current mixes are only available in 27-xx-xx usually so it MAY require purification. Also, the most similar compounds are often not available in 50 kg bags, and only available in 600 kg+ large bags due to the EUs anti-terror laws. The EU will most likely ban "usable" AN fertilizers completely and force everyone to use Urea based fertilizers instead (46-00-00). The problem with urea (urea nitrate) is that it is much more unstable than AN with a significant decomposition rate. In addition, it is considerably more time consuming to convert Urea fertilizer to large quantities of Urea Nitrate (more than 100 kg) for one person. This in combination with the limited 30 day "shelf life" of Urea Nitrate limits its use significantly as an explosive. We may go down that road in the future, but at the moment, better options are available.

If fertilizer grade ammonium nitrate is to be used it may have to be purified first in order to maximize the effectiveness. I am not yet 100% sure which of the additives included in the various types of fertilizer will make the compound inert. To be sure you get a fertilizer type you can work with find a compound similar to the old classic: 32-0-0 (which the EU banned a few years ago). The reason they banned it was because you basically got a finished blasting agent. All you had to do was to add 6-7% diesel and you had ANFO, ready to use.

AN vs Urea

Sources for Urea is the fertilizer: 46-00-00 or often the prills used for de-icing sidewalks. Urea can also be derived from concentrated urine (animal and human). This is a common variation used in South America and the Middle East by terrorists. Many animals (e.g., dogs) have a much more concentrated urine and it contains a higher urea amount than normal human urine.

Urea nitrate would not be the method of choice for +100 kg detonations due to the rapid decomposition of the more unstable urea nitrate which reduces the shelf life to 30 days. AN is preferred as it is much more stable and has a considerably longer shelf life (up to 1-2 years). Also, it takes considerably longer and more knowledge in chemistry to convert urea fertilizer to urea nitrate, compared to AN. The only advantages of Urea nitrate is that it is easier to acquire the products needed and it is more sensitive to detonation than AN. Urea nitrate is "piss" easy to make and there's also a certain amount of "Fvck You" factor in there as well because... well... we just blew you up with our urine:P Still, not recommended as long as you have access to AN.

Evaluating the nitrogen level in X-0-0

Each fertilizer has an analysis table that tells you the percent of nitrogen (N) - phosphorus (P₂O₅) - and potassium (K₂O) by weight. Urea is 46-0-0, and ammonium nitrate is 34-0-0. Both of these products contain nothing but nitrogen, but the nitrogen is at different percentages. Urea contains 920 actual pounds of nitrogen per ton, and ammonium nitrate contains 680 actual pounds of nitrogen by ton (2,000 x 46% = 920 and 2,000 x 34% = 680).

Evaluating fertilizer grade AN and the added impurities

Fertilizer grade AN bought in garden stores etc today are full of impurities like anti waking agents, ammonium sulphate, NaCl, $\text{Ca}(\text{NO}_3)_2$, sodium bicarbonate and other impurities.

The N-P-K numbers are a fertilizer convention for percentages of elements that plants need in fairly large amounts. These numbers aren't what you're looking for as a chemist seeking raw materials. What you want is an ingredients list. As for purifying this fertilizer, you'll have to look up what's in it, and how the impurities differ from ammonium nitrate, before you talk about what purification method you've chosen. Unfortunately, there are several ways to purify/distill AN based on the compounds it is mixed with. Crystallization is one method of refinement but it doesn't work properly if there are certain compounds in the mix.

If the fertilizer is a mixture of ammonium nitrate, superphosphate (that's fertilizer jargon for $\text{Ca}(\text{H}_2\text{PO}_4)_2$) and trace metals (usually as chelates,) recrystallization can give you a pure solid. You will have to be sure any and all impurities are complete insoluble in water/ethanol/methanol /whatever to say that recrystallization is a good purification method. If that's not the case, you'll have to do fractional crystallization, an important beginner purification method in college classes.

Potential problems:

- Learn the solubility table on AN (NH_4NO_3) in hot methanol
- Methanol is relatively expensive...

Questions I haven't been able to answer through my research:

- Is there a way to replace the methanol with another product? Will ethanol work?

The "N" in fertilizer can come from a variety of sources -- potassium nitrate (provides some "K"), calcium nitrate (plants need Ca for strong cell walls), or even urea. They can be converted to ammonium nitrate (the first two easier than the last one,) but that's a roundabout way of addressing your need for ammonium nitrate.

The closest alternative today, I believe, is 27-0-0 or something similar. If you are unsure which additives are added and the effect it has, research the specific products offered by your national suppliers and ensure that you get ammonium nitrate with minimal additives. There are various ways to purify fertilizer which is based on the specific additives. Unfortunately, I am not competent enough to give you a specific guide on each additive and the various methods which can be used to remove the specific additive.

Purification method 1 – Crystallization using water

Purification method 2 – Crystallization using methanol

Cold packs as a source for pure AN

If you are having problems converting fertilizer to a more pure form just try using some other source of ammonium nitrate, like cold packs, or another brand of fertilizer containing ammonium nitrate. The AN from Cold packs is however 10 times as expensive as the fertilizer AN resulting in a limitation regarding the procurement of large quantities.

Storing AN

The shelf life of cold packs (100% AN) is approximately 1-2 years from production date which is usually specified on each package. So, if you need a large quantity, start your acquisition phase approx 6 months prior to the execution of the mission. Note that the special plastic and vacuum packing is done to ensure this long shelf life so if you take out the AN from the cold packs it might influence the shelf life, regardless of how effectively you manage to contain it. If you are packing it yourself with traditional plastic the shelf life may be dramatically reduced, perhaps down to 4 weeks with poor packing. This will depend on how well you pack it, how much oxygen is available, humidity, temperature during storage etc. Container: heat- OR acid-resistant OR plastic). Instead of storing a 500 kg (which might be poorly packed for long term storage) you should consider breaking the large bag into smaller 50 kg bags. Try to order specialized plastic bags for this purpose.

Mixing AN with fuel

A more common and almost as effective method of mixing is by uniformly soaking prills in opened bags with 8 to 10 percent of their weight of oil. After draining for at least a half hour the prills will have retained about the correct amount of fuel oil.

The fuel will disperse relatively rapidly and uniformly. Inadequate priming imparts a low initial detonation velocity to a blasting agent, and the reaction may die out and cause a misfire. So ensure a large enough booster/blasting cap.

Place the AN into the waterproof container. Sprinkle the diesel fuel onto the AN. Do not "stir" these materials, as that will cause them to pack together. Let stand for 1 hour. Seal the waterproof container.

Note: if powdered AN is being used and it becomes packed, it may be fluffed by ruffing a handful back and forth across a piece of screen or a cheese grater. If AN prills are used (compared to powdered AN) a larger booster charge must be used. Finally, ANFO charges must be at least 5 cm in diameter or they will not detonate properly.

Size of prills matter

However, there is usually little you can do about this fact, with the exception of choosing to powder the AN. In the mining industry, the term ANFO specifically describes a mixture of solid ammonium nitrate prills and No. 2 fuel oil (heating oil.) In this form, it has a bulk density of approximately 840 kg/m³. The density of individual prills is about 1300 kg/m³, while the density of pure crystalline ammonium nitrate is 1700 kg/m³. It is notable that AN prills used for explosive applications are physically different from fertilizer prills; the former contain approximately 20% air. These versions of ANFO which use prills are generally called explosives grade, low density, or industrial grade ammonium nitrate. These voids are necessary to sensitize ANFO: they create so-called "hot spots".

How to pulverize large quantities of ammonium nitrate prills/granules

For small quantities you may simply use a wood roller, the wooden kitchen tool used for rolling dough, on a wood base. However, if you want to pulverize large amounts of AN, 100 kg+, you want to use more advanced methods.

Grinding method 1

Commercial coffee grinders: dedicate one grinder for use on oxidizers. We don't want fires or explosions when we're grinding chemicals. Never grind complete or mixed compositions such as black powder in a coffee grinder. The AN should not react with any material in the grinder as long as you use steel blades.

I have found two kinds of coffee grinders: blade-grinders and burr-mills. Don't get a burr-mill; they don't work as well as blade-grinders (at least not for coffee beans, perhaps for AN prills). The blade-grinders have a stainless steel blender type blade that spins at high speeds in the bottom of the material cup, pulverizing the material in the process. When evaluating whether to use a smaller, less expensive, blade-type coffee grinders; know that they really don't last too long if you mill chemicals for a minute or two at a time. To use them, mill your chemicals in pulses of a few seconds at a time. Shaking them while pulse-grinding can give you even faster results. There are different types of coffee grinders. You may want to choose an espresso variant as it will produce a finer powder. However, expect this factor to result in a doubled grinding time.

Be careful of heat buildup. Avoid aluminium blades, use steel blades (it's usually steel as default). Avoid sparks. Quickly put in airtight container as powdered AN absorb water from air.

Grinding speed; depends on grinder. I did find an example from a commercial espresso grinder:

57 g in 20 seconds which equals 171 g per minute, 10,26 kg per hour. With this speed it would take 97,5 hours to grind 1000 kg of AN prills/granules. However, if you use a grinder constantly then expect it to only last a few hours. So you will probably need up to 10 grinders for 1000 kg prills. Expect the total amount of hours to exceed 200 hours as you don't want the grinder to overheat. I heard that Baader, the Marxist scumbag from Red Army Fraction bought tens of grinders as they regularly broke down. He even bought a really expensive one but that one broke down as well. They ended up using wood rollers resulting in limited amounts of end product.

Prices range from 30 Euro up to 800 Euro.

Grinding method 2

I have not confirmed this method but it looks good in theory. An electric garbage disposal unit/food waste disposer/sink grinder, approx 370 W, 2600 RPM, cost: 200 Euro. No knives or blades. Instead, it is a rotating mechanism which presses the material out through small holes in the outer walls.

Grinding method 3 (recommended)

I have never seen this method mentioned in relation to AN prill grinding. However, theoretically, it sounds like a wonderful idea.

A barley crusher/malt grinder is used for grinding barley in micro-brewery operations (enthusiasts brewing their own beer etc). It is a mini grinding mill, a unit operation designed to break a solid material into smaller pieces.

There are two main suppliers of relatively inexpensive barley crushers; Barleycrusher.com and Crankandstein.net

1. <http://www.barleycrusher.com/>
2. <http://www.crankandstein.net/>

Of the two I would recommend the Barleycrusher with the following specs:

- Roller assembly: 1,25" diameter x 5 " length
- Models: 7 lb (3,2 kg) or 15 lb (6,8 kg), go with the 15 lb
- BC adjustment range: 0,015 to 0,070 thousands of an inch. Default set at 0,039. This is the way to fine tune your rollers, to adjust them so that you get finer powder etc.
- Rollers have: 12 TPI knurl
- Comes with a solid base with locators to center the Barley Crusher on a 5 gallon plastic pail. (Pail not included)
- The standard hopper holds 3,2 kg and the optional large hopper holds 6,8 kg. Using a 3/8 drillmotor at 500 RPM gives you a crush rate of 2,7 kg per minute
- The Barley Crusher is shipped fully assembled. There are no adapters needed to use a 3/8 drill motor.
- Cost: 15 lb variant, costs 115 USD with an additional 60 USD shipping
- A hand crank is included but it is advisable that you use a drill (you just fasten the drill bit where the hand crank used to be)
- You will also want a high quality drill with adjustable speed (cheap version drills may be just as good as long as they have an adjustable speed). You want to use a relatively low speed (150-200 RPM). However, you should test and confirm this as higher speeds may be viable. You should not select a battery drill as each battery will only have enough power for 10-12 kg of corn (prills) according to one forum source. Buy a second hand, high quality drill on your local online marketplace or ebay. Just keep in mind that the US voltage (110-120 V) is different from the European (220-230 V).
- Example drill: <http://www.dewalt.no/powertools/productdetails/catno/D21520/>

Grinding method 4 (not available)

Grist Mills for the crushing of barley or wheat are also effective (wind mill, water wheel, motorized or by using an oxen). A ton of material can be processed through one this size in about two hours. To bad this method is not an option for 99,99% of us.

Grinding method 5

Various electrical mixers may work.

To test if a compound has AN

To test if fertilizer has ammonium nitrates use a sample and pour on top about half as much sodium hydroxide. Then add a small amount of water. If it starts bubbling and releasing ammonia gas then it has a high concentration of ammonium nitrate.

How to make ANNM/ANFO even more potent by using additives:

- Aluminium powder
Adding 5 to 20 percent (15% is optimal), by weight, microfine aluminium powder (30 mesh (JIS sieve) or below is optimal) will increase the VOD substantially. The reason why this is often ignored is due to the high cost of aluminium dust. AL makes the mixture more sensitive to detonation and increases the power output of the product. Thus a smaller primer is needed.
- 3 hydrogen containers (tanks of bottled hydrogen)
Three tanks of bottled hydrogen are placed in a circular configuration around the main charge, to enhance the fireball and afterburn of the solid metal particles. Placing 3 hydrogen containers (on all three sides of the main charge) will increase the blast considerably and add a very potent and lethal incendiary effect. Compressed hydrogen is used for mobile hydrogen storage in hydrogen vehicles. It is used as a fuel gas. At this point in time, 2010, there are at least a few hydrogen filling stations in most European capitals. Two cars that use this fuel: Toyota Prius, Mazda RX-8. You would need three hydrogen storage containers, for example the "Palcan Hydrogen System" container. The use of compressed gas cylinders in this type of attack closely resembles the 1983 Beirut barracks bombing. Both of these attacks used compressed gas cylinders to create fuel-air and thermobaric effects that release more energy than conventional high explosives. Thermobaric effects is also a requirement if you plan to detonate a propane-truck (two stage detonation is required for optimal effect, but a thermobaric effect (detonating fuel-air) is likely to be able to compensate for the lack of the two-stage detonation process. A 50-100 kg booster should be enough in this regard.
- Magnesium and ferric oxide particles (not confirmed yet)
Surrounding the main explosive with magnesium and ferric oxide particles will increase the VOD.
- Larger blasting cap and or booster is always a positive factor
Using a larger blasting cap/booster will increase the VOD of ANNM or more precisely, if you fail to use a large enough blasting cap/booster you will fail to detonate all the ANNM optimally.
- Air bubbles: cork or balsa wood (not confirmed yet)
To add even more kick, you can incorporate tiny air bubbles into the explosive. 17 parts NM, 60 parts AN and add 2 parts of finely ground cork or balsa wood or alternatively 5-7% fuel oil, 90-95% AN and in addition approx 10-15% of total weight aluminium powder and 3% cork granules (I believe 2-3 mm granules will work). The cork or balsa wood is the source of the entrapped air bubbles in the mixture. There are several suppliers of cork granules, just do a search on google or alibaba.com. However, I have not been able to confirm the efficiency of this additive with the given specifications.
- Sodium dodecyl benzene sulfonate (not confirmed yet)
When using fertilizer grade ANFO explosives, properties are improved up to 30% by the addition of 0,5-1% "Tide" or Mr. Bubble" or any detergent containing sodium dodecyl benzene sulfonate. Mixed in after AN and FO is mixed.

Sources:

<http://en.wikipedia.org/wiki/Recrystallization>

<http://www.sciencemadness.org/talk/viewthread.php?tid=1112>

Manufacturing Aluminium Powder through filing

There are no import restrictions for aluminium powder for a majority (if not all) of EU the countries. Ordering 1-100 kg quantities of aluminium powder quantities from chemical/pyro supply factories is therefore advices. Just be careful and travel directly to the factory to pick up the order if possible.

However, if you want to avoid ordering it online (or pick up an order directly from the factory in f example Poland) you may create limited quantities yourself. You may use various aluminium scrap, or purchase aluminum ingots/bars from hardware stores to file down the aluminum into powder. This method can be cheap and yield good quality aluminum powder, however be prepared to work.

Most files will work, as aluminum is a soft metal. However, you should order high quality aluminium files online. There are variations of aluminium. The harder types, f example: 6061,7075 are filed down quite well without having to cleanse/brush off/load the file. Other types of aluminium like the type that can be found in aluminium plate and cast aluminum are very gummy and stick to a file quite easily.

- Recommended files: try the Supershear file, or the aluminum cut file (a special file for filing aluminium, check Ebay etc.). According to one source; the Supershear is the fastest hand file. It may need occasional chalking or lubing. The Aluminum cut file is fast, and creates finer powder than the Super Shear. Next, and less accurate, but very much faster is the air or electric die grinder fit with a single-cut burr and lubed with beeswax. It will climb through 1/2" of solid stock in 10 seconds. The next step up is 6", 8", and 12" grinding discs, belt sanders etc.
- Correct filing motion: the trick is to push hard on the cutting stroke and ease up as you pull back to rattle the pins free. When you carefully pull the file back, you will basically remove much of the powder in between the tooth's.
- Cleaning your file: Many people use a piece of copper water pipe (1/2"). Take a piece about 6" - 8" long, squish the first 2" or so inches in the vise of with a Hammer. The round end will be you handle, give a wrap or two with electrical tape or duct tape. Work the tool (copper pipe, squished end -almost a chisel) with the teeth of the file; not with the direction you would file if you were using the file, but side to side. This allows the copper to get under the aluminum and 'pop' it out the files teeth. The copper will not wear down or damage your file. Alternatively; you should just use an aluminum bristled wire brush which will clean the file perfectly, almost every time, as long as you clean across the teeth.
- It is recommended that you do your filing above a container to catch all the powder.
- Use a particle mask to prevent the inhalation of aluminium dust.
- The mesh, fineness, of the grain can be increased by using a mortar and pestle to grind the powder down more. However, this will be very time consuming.
- You should store your aluminium powder in f example glass or plastic containers.
- Cover story usage: fine aluminium powder is used as a paint component (f example boat paint) to add UV resistance.
- Estimated aluminium powder produced per hour using a specialized file; I'm not exactly sure, as I haven't tried it. I would estimate between 50-100 g per hour. So if you wanted 100 kg it would take one person 1000 hours or 125 x 8 hour days, 10 kg = 12,5 x 8 hour days.

NM – Nitromethane

Pure nitromethane is an insensitive explosive with a VoD of approximately 6200 m/s. The reason why NM is so much more powerful than diesel is that nitromethane generates about 2.3 times the power of gasoline when combined with a given amount of oxygen. NM can be obtained from hobby air-plane fuel. The fuel, depending on brand and type, contains anywhere from 12-35% NM. Hobby plane boat-fuel contains the highest percentage (approx 30-50%) while plane/helicopter fuel is on a second with 12-35%. Model car fuel normally contains the least amount of NM. Ensure that you have created a cover story (that you say you own a T-Rex 600 for example) before you make a purchase.

The average price for a 4 L can of fuel (containing 30% NM) is approximately 31 Euro. In other words; if you want 10 L of pure NM you would have to buy 8-9 of these cans for a total of 280 Euro providing you are able to extract 100% of the NM (which you probably won't). This fuel usually consists of: 30% NM, 12% oil lubricant and 58% ethanol. I ordered almost 4 cans of this fuel from each available supplier (total of 5 suppliers) and ended up with 18 cans. I could go to my neighbouring countries to buy more or I would have to wait 6 months time before I make another purchase (to prevent suspicion from the suppliers). The fuel can only be transported by ground.

Myths about the dangers of NM

NM is not as dangerous as people would have you think. In fact, nitromethane is one of the safest and cheapest liquid explosives available on the market. It cannot detonate from flame and it is in fact very hard to ignite with a match, and if it does burn, it does so with a lazy blue flame. However, NM is shock sensitive from 6 meters. Nevertheless, as long as you don't expose pure NM to shock or severe friction you will be ok. It is very stable.

NM safety

- You can set it on fire, it simply burns like ethanol. Since it is flammable liquid, its vapor with air may form an explosive mixture (like many organic solvents).
- Nitromethane is in fact very hard to ignite with a match, and if it does burn, it does so with a lazy blue flame. It does detonate on shock though. It is very stable.
- I'm under the impression that nitromethane is definitely an explosive. It is just much less shock sensitive than theoretic claims.
- Do not pour it into a glass container as the edges have too much friction causing an explosion. Never heat it. Never drop on floor, avoid shock.
- Never touch it as it reacts with skin and the person affected will be killed within 36 hours.

About NM mixed with methanol

Dilution of the NM mixture with methanol doesn't prevent the invention from working. The dilution just makes the mixture more difficult to detonate, and the explosive force released is correspondingly reduced. To detonate a methanol solution of NM, about one ounce of high explosive booster is needed. Really diluted solutions, such as one would get from 10% NM product would need even more booster. The mixture keeps really well as long as it is sealed up to prevent the NM and amine from evaporating away. One ounce (28,35 g) is required to detonate.

AN and diluted NM

Mixing 84 parts by weight AN with 16 parts by weight of 50% solution of NM in methanol explosive is as powerful as high grade dynamite. Weaker concentrations of NM could be used instead of 50% but performance would suffer. I wouldn't bother with any product under 30% NM. In a known explosives patent, they specify using fertilizer prills of AN. However, finely ground AN made according to the directions in this section would also work. To enhance the performance of this mixture, one could mix in up to 10-15% by weight of AL powder. According to the patent, this mixture can be detonated with a number 8 cap, and doesn't need confinement for complete detonation.

Purification of NM-hobby fuel

NM can be purified by cooling below its freezing point (28 C), washing the solid with cold diethyl ether, followed by distillation.

How to get more out of Nitromethane

Mix with Trichloroethane (common cleaning fluid)(40 parts AN, 9 parts NM, 3 parts Trich: see PDF: Nitromethane explosives.

Method 1: Separating NM from methanol in hobby fuel - evaporation

Method 2: Separating NM from methanol in hobby fuel - freezing

Method 2: Separating NM from methanol in hobby fuel - freezing

Method 3: Fractional distillation

Method 3: Fractional distillation

General safety precautions

- AN/Urea: Caution: Never use copper or brass containers because ammonium nitrate reacts with these metals.
- Aluminium (Al) is very active because it has 3 collection in the outer shell then it can react with any metal, use plastic layers between alu and metal.
- General stirring. Try to use glass or wood when stirring.
- Always acquire and modify the skeleton (containers) first
- Cover as much of your skin as possible, when preparing chemicals, so it doesn't absorb any fumes.

- Lab coat or apron should be worn at all times.
- Lab glassware can be heated to 500 Celsius. Quarts glass is used where high temperatures are needed up to 1200 Celsius. General lab glassware is used for heating liquids as most liquids will never encounter temperatures exceeding 300 Celsius.
- Never rapidly heat glass. Exposing glassware to immediate high temps can cause cracks and breakage. Cooling hot glassware too quickly can also lead to cracks and breaks. Always allow the heated glass to cool to room temperature by itself before applying it to cold water baths, ice baths, or dry ice baths. Quarts is an exception. It can be heated to 1000 Celsius and then dipped into water.
- Storage should be in a dark cool dry place away from other chemicals, **a lot of explosive devices require use immediately after completion so storage of these could be dangerous.**
- When the materials are added together this should be done gently and carefully to avoid spontaneous detonation, there is especially a danger of friction igniting the material when a chemical is being powdered. Another danger of friction is in the use of pipe bombs, **the steel of the pipe can easily cause the powder to explode prematurely so it is advisable to use a plastic bag or paper between the pipe and the chemical.**
- Completed explosive chemicals should be tested in small quantities to verify their operation.
- If an electronic detonating circuit is to be used, a safety switch should be added to the circuit to prevent an electronic fault causing an explosion.

Container tips

Barrels are common containers for the main explosive. For a barrel, the detonator might be a bag or a metal/alu pipe filled with Picric acid, which contains an even smaller container - the blasting cap (DDNT).

Building the containers/skeleton

Always acquire and modify the skeleton (containers) before you manufacture the explosives. You can for example use a large barrel or medium/mini barrel to place the main charge in. Confinement will ensure an optimal detonation and subsequent destruction power. Non-confined explosives will do considerably less impact unless you design the skeleton in a way that you can create a shaped charge (one directional charge against a specific target).

Blasting cap container

As for the blasting cap container; you can for example use a 0,62 cm x 6,25 cm long alu tube which can usually be bought at hobby stores/model building stores. There are items which is used as landing gear for planes that might prove useful. Buy a board plastic straw to prevent the priming mixture to reacting with metallic body even when aluminium is used.

Booster container

Use a larger metal/alu pipe.

Detonator-trigger

There are four different types of detonators you can use in order to activate your primary explosive (blasting cap):

1. Mechanical detonator
2. Electrical detonator
3. Chemical detonator
4. Fuse detonator

I would suggest choosing one of the following detonation devices:

Fuse (EASY)

Buy visco fuse or similar high quality fuse. Choose the most reliable fuse type (6mm in diameter is usually more reliable than 2,5 mm fuses but is harder to come by). Cover the fuse in surgical tubing or the sparks from the fuse may cause early detonation (from either nitro/fuel /chem fumes, or sparks may come into contact with load). There are several different types of fuses. Burn rate is usually 1cm per second (this should be specified on the supplier site) so if you want 2 minutes for evacuation you will need 1,2 meter fuse etc. Web addresses to European suppliers are found at pyroforums. If you're going to use a fuse, you must normally add a little (1g-3g black powder or similar in the receiving end of the primary charge in order to successfully initiate the rest. You should create a blasting cap and arrange a test prior to operation.

Wireless Radio Firing Systems (MODERATE)

Sold by companies specializing in fireworks detonation systems. Consists of two parts: 1 x Receiver with battery source and 1 x Remote control with battery.

Like the 1Q version from: <http://www.e-madeinchn.com/FiringSystems.html>

There are other European, US and Chinese companies selling similar items. The 1Q version sold on that site costs 16 USD + 5 USD shipping. This specific version is a 6V with relatively short range: 200 m. You basically just place the receiver close to the charge and plug wires into the chromatic wires, similar to the one you find in light bulbs.

Mobile phone (MODERATE TO HARD)

Same principle as above, just that you use the battery power from the receiver mobile. When you call the receiver mobile with your transmitter mobile (providing you have sorted the wiring from your receiver mobile into the detonation cap (chromatic wires)

Cross wiring multiple explosive devices vs. single load explosive device

Never try to cross wire multiple explosive devices unless it is an absolute requirement. Instead; always focus on single load explosive devices. To illustrate this we can review the 2010 Stockholm Jihadi suicide bombers fatal mistake. By cross wiring 5 pipe bombs he had increased the chance for failure by several hundred percent. With a single load explosive device the chance for failure is approximately 20%. As you attempt to cross wire 5 of these devices you are increasing the chance for failure to 80-95%. Needless to say; this is an unacceptable risk.

Common explosives which are available in large quantities: 500 kg +

Chemical	Availability and accessibility	Ease of use in bomb making	Economy of bomb making	History of prior use	Overall potential use
Ammonium Nitrate (c)	High	High	High	High	High
Sodium Chlorate	Medium	High	Medium	High	Medium
Urea (d)	High	Low	High	High	Medium
Nitric acid (d)	High	Very low	High	High	Medium
Potassium Chlorate	Very low	High	High	Low	Medium
Potassium Nitrate	Low	High	Low	Low	Low
Potassium Perchlorate	Very Low	High	Low	Low	Low
Hydrogen Peroxide (d, e)	Low	Medium	Low	Low	Low
Calcium Nitrate mixtures (f)	Medium	High	Low	Very Low	Low
Sodium Hypochlorite (e)	Low	Medium	High	Very Low	Low
Calcium Carbide	Low	High	Medium	Very Low	Low
Dinitrotoluene	Medium	High	Very Low	Very Low	Low
Nitrobenzene	Medium	Medium	Low	Low	Low
Nitroparaffins (c,g)	Very Low	Medium	Very Low	Low	Very Low
Picric Acid	Very Low	High	Very Low	Very Low	Very Low
Potassium Permanganate	Very Low	High	Very Low	Very Low	Very Low
Sodium Chlorite	Very Low	High	Very Low	Very Low	Very Low
Active Halogen biocides (c)	Low	Low	Very Low	Very Low	Very Low
Calcium Hypochlorite	Low	High	Very Low	Very Low	Very Low

a Assessment of affordability based on costs of material from chemical supply houses (except for active halogen-type biocides, as indicated by footnote c).

b As determined by the committee based on its experience and information provided by Richard Strobel, ATF, in a personal communication, September 11, 1997.

c Available from garden, swimming pool, and racing supply outlets.

d Precursor requiring chemical reaction for conversion to an explosive.

e Typically available as aqueous solution.

f Ca(NO₃)₂/NaNO₃/NH₄Cl/Calcium cyanamide.

g Includes nitromethane.

The above overview obviously does not consider the approach of using "alternative" easily accessible bulk explosives loads such as LNG platforms, LNG tankers, propane trucks etc. In these cases, you would only be required to create a booster charge of 50-100 kg as the bulk of the explosives would be the civilian vessel itself.

Alternative explosives – quick overview

Chemical	Availability and accessibility	Ease of use in bomb making	Economy of bomb making	History of prior use	Overall potential use
Ammonium Nitrate (c)	High	High	High	High	High
Sodium Chlorate	Medium	High	Medium	High	Medium
Urea (d)	High	Low	High	High	Medium
Nitric acid (d)	High	Very low	High	High	Medium
Potassium Chlorate	Very low	High	High	Low	Medium
Potassium Nitrate	Low	High	Low	Low	Low
Potassium Perchlorate	Very Low	High	Low	Low	Low
Hydrogen Peroxide (d, e)	Low	Medium	Low	Low	Low
Calcium Nitrate mixtures (f)	Medium	High	Low	Very Low	Low
Sodium Hypochlorite (e)	Low	Medium	High	Very Low	Low
Calcium Carbide	Low	High	Medium	Very Low	Low
Dinitrotoluene	Medium	High	Very Low	Very Low	Low
Nitrobenzene	Medium	Medium	Low	Low	Low
Nitroparaffins (c,g)	Very Low	Medium	Very Low	Low	Very Low
Picric Acid	Very Low	High	Very Low	Very Low	Very Low
Potassium Permanganate	Very Low	High	Very Low	Very Low	Very Low
Sodium Chlorite	Very Low	High	Very Low	Very Low	Very Low
Active Halogen biocides (c)	Low	Low	Very Low	Very Low	Very Low
Calcium Hypochlorite	Low	High	Very Low	Very Low	Very Low



Great Sources:

1. Revised Black Book – A Guide To Field-Manufactured Explosives – William Wallace

Sources for base chemicals – where to buy chemicals?

The “base chemicals acquisition phase” requires you to educate yourself about this topic. This took me some time, primarily because I looked in the wrong places and was thus unable to locate sources. The manufacturers for these base chemicals will usually be found within national or EU borders. I will try to shed some light on how to approach the research of sources and present a few tips;

To my surprise; I learned that my own country had at least one forum where the acquisitions of chemicals were discussed. And if my country, of 5 million, has it, then most countries will. The forum you are looking for are pyro(technique) forums for the so called pyro(technique) enthusiasts. These people are usually non-political but they love to blow things up and/or create various light shows. They usually create very specific supplier lists for a majority of chemicals that can be used in an explosives device. Most of them operate in a “gray area” so they act as a perfect source for getting both supplier tips and “shipping tips”. Many of them order online (this works as very few of the compounds are illegal, just regulated) while others take road trips to for example Poland to get materials directly from small factories. These materials are then smuggled without problems to the country of destination. Many of these East-Block factories will sell most chemicals to you as long as you seem like a credible buyer (non-Muslim, non-extremist).

Suppliers are divided into the following three categories (example chems):

1. Apothecaries/drug stores
Glycerol [$C_3H_5(OH)_3$]
Hydrogen Peroxide [H_2O_2], also found in 6 and 7
Potassium Nitrate/saltpetre [KNO_3], also in 2 as brand name, 4, 6 and 7
Nitric Acid [HNO_3], also in 4, 6, 7
Sulphur/Sulfur [S], also in 6, 7
2. Hard ware stores/paint stores/car utility stores/furniture stores/home utility shops:
Acetone
Aluminium
3. Hobby air-plane shops etc.:
Nitromethane 15-30% mix
4. Farming suppliers/garden stores:
Ammonium Nitrate (pure AN or alternatively CAN 27 fertilizer)

Potassium Chloride, but also in 7

5. Sport shops/camping shops:
Ice pack: pure ammonium nitrate
Hexamine [C₆H₁₂N₄], but also found in 2 and 6
6. Chemical suppliers/pyrotech suppliers (supplies companies usually):
Ammonium perchlorate [NH₄ClO₄]
Potassium Chlorate
7. Ebay/other online stores

So what you basically have to do is start researching suppliers for your country;

Example Google (or national) search terms: "where to buy xxx" etc. Remember; don't try to browse your way to the best results. Your goal is to locate national pyrotech forums, which in turn will provide you with the information you need.

When ordering AN from your agricultural supplier

I recently learned that our national agricultural supplier does indeed have purer forms of AN (34% nitrogen instead of the more common CAN fertilizer with 27%), so called: N34 fertilizer (34-0-0). They don't market it though and they only sell it in 600 kg bags. You should check with in your respective country whether this is the case or not. If no N34 fertilizer is available, then CAN27 fertilizer will work as well. Before you call your farming supplier and make the actual order you should take the following precautions:

- Create a company with an appropriate name (preferably 1-2 years prior to first order)
- Join an interest organization for small/medium farmers
- Join the organization related to the main agricultural supplier; create a company customer profile and register your organization number
- Make the order as soon as possible and up to 6 months prior to delivery. For example; if you want the fertilizer bags delivered in May, order them in November. The agricultural supplier prefers early orders as they book your order into their distribution/delivery schedule. They deliver hundreds of thousands of tons of fertilizer annually so making an early order will not only save you money (as the prices are term based); it will likely ensure that you will avoid the scrutiny reserved to a larger degree for "more unknown customers" who wants "sudden large orders" of nitrogen-only bags.
- Ensure that you can provide a delivery address (where you want the big bags delivered). If you haven't yet rented a small farm/cottage you can explain to them that you are planning a test production next spring of a crop that requires the specified fertilizers you are ordering.
- Create a credible cover story in case anyone asks why you are buying the fertilizer and how and when you plan to distribute it in your field. Do your due diligence and research basic farming methods and similar knowledge. For example, you should have the theoretical knowledge on how to disperse the fertilizer in your field and when and how to provide the water required, if rain alone isn't sufficient. You should familiarize yourself with the basic farm equipment and tools which is needed to distribute the fertilizer in your fields in case you are presented with "security questions" from your supplier.

- Consider to buy the actual seeds for the crop you have selected and inexpensive equipment together with the fertilizer purchase. This will strengthen the credibility of the transaction as it will act in your favour in relation to avoiding suspicion.
- Don't take the chance of only buying 2 bags of CAN27 or N34. Instead, consider making an order for f example: order 1 large bag of non-nitrogen fertilizer (perhaps even two) in addition to ordering 1 x 500 kg bag of CAN27 and 1 x 500 kg bag of N34. This will strengthen the credibility of the transaction as it will act in your favour when it comes to avoiding suspicion.
- Ensure that you have the required tools/facility in order to handle the delivery when receiving the order. If you ordered 3-4 bags (2 AN bags and 1-2 non-nitrogen "dummy bags") you will need at least 3-4 wooden pallets (without metal nails), a jack that can handle weights up to 700 kg and a dry outhouse/garage with roof and a large enough door measuring at least 5-10m². When the delivery man arrives you will ask him to place the bags on the pallets you have prepared. You will then use the jack to transport these pallets into your outhouse/barn/garage. When you have placed the 3-4, 500 kg bags inside you must cover the two nitrogen bags with a plastic cover (with straps) and ensure that the content is protected from moisture. Obviously, you don't need to worry about the 1-2 other dummy bags as you ordered them just for show... :-)

I haven't actually used this method yet, myself, but this is the approach I will select shortly. I guess you will soon find out if I succeed or not. Remember; Confidence separates the winners from the losers, so good luck.

Countering the cultural Marxist/multiculturalist EUSSR counter strike

Keep in mind that the EUSSR regimes will adapt to this approach; perhaps as soon as after the first operation (as of 2011). So we risk that in the future; absolutely all farming companies will be likely to undergo extreme scrutiny. If this happens, we must adapt and create a new and modified strategy. This EUSSR counter strike will be countered by the Knights Templar by simply encouraging and advising our Justiciar Knights to actually buy/rent a small farm and successfully run it/harvest and sell the crops for one year, prior to the operation. By choosing this approach we will successfully nullify the expected counter-strategy which the EUSSR regimes will attempt to implement in order to adapt to the initial strategy I presented.

Required grooming/clothing/lifestyle standard for any and all personal contact with suppliers/couriers

If you meet a supplier/courier (FedEx/UPS couriers included) wearing a bomber jacket, with a military hair cut, neck/arm tattoos, while standing next to your hillbilly swamp jeep, you can be assured that he will report you to the authorities or refuse to sell/deliver anything. Always ensure that you follow tactical grooming/clothing/lifestyle standards and plan and execute an appropriate clothing/behavioral strategy. Conceal any visible tattoos etc.

The goal must be to look like, sound like and act like a well-educated European conservative pensioner type character. Think of this as an advanced psycho-social tactical façade required to succeed in your most critical of all phases; the chemical acquisition phase.

Example:

- Clothing: Lacoste etc, conservative colours (low cost brands will not be as potent in sending the same "psycho-socio-economic signals" required to "trick/soothe" the target.)
- Transportation: Hyundai Atos (pensioner grey). Yes, I know; it's a really gay car but extremely effective at sending the signals you want to send to your surroundings. Very effective for cross border smuggling and it is easy to carve out 20-40 L storage space inside the lower part of the back seats.
- Conservative hair cut. Avoid dying your hair black.
- No visible piercings
- No visible tattoos
- Language: conservative, calm, concise. Unless you have a talent for acting; avoid small talk. Never talk about politics with suppliers/couriers. Act in a nice and friendly manner; smile!

The above comes natural to me, as I have learned to embrace this style (with the exception of the car, obviously), but I realize that this will be a hard psychological barrier to break for some people. In particular for "rebel-types" who feel they have to manifest their rebellious nature through physical manifestations (tattoos, hair style, fashion). Many of these individuals have traditionally loathed authority and traditional conservative principles. Accept it for what it is, adapt, and just do it. You will quickly notice that, with this new façade makeover, you will avoid all the scrutiny usually reserved for classical "suspect stereotypes" and manage to substantially increase the success rate of your acquirement phase. Don't let your short term pride come in the way of succeeding operationally. So expect to swallow a few camels. Pain is temporary, after all, while pride is eternal. Your nation, your people and even the whole of Europe will be forever in your debt for your sacrifice.

Creating credible cover stories to avoid scrutiny for successful delivery of base chemicals

I'm going to repeat the following once again as its absolutely essential in the "chemicals acquisition phase".

Create a company with an appropriate name (something specific enough to be relevant to fertilizer (CAN 27, 500 kg +) and chemical import and at the same time; vague enough to be able to order both. Would you succeed if you ordered in the name of Ali Muhammad from Jihadi Imports Ltd? In order to succeed you need to represent the exact opposite to ensure success. F example; London Geofarm/Research Institute/Agricultural Research/Nutrients Research etc.

Create and solidify your cover story

You also need a solid cover story in order to back up your "façade". You have to memorize a 5 second "explanation pitch" for EVERY single supplier. You must expect that he will ask you a "security question". These security questions will likely include why you are purchasing the product? So why did you buy the product again?

A multitude of cover stories

I have cover stories for at least 20 different scenarios. One being why I am creating explosives, in case they ever find out. I'm in the process of creating a mineral extraction company and have created and printed a 100 page professional looking prospectus which even specifies quite specific blasting locations. This should be enough to create a reasonable doubt if I ever get in a pre-operational judicial jam.

3.55 Creating chemical or biological weapons - easier than creating explosives

Poisoned bullets or arrowheads have been used in warfare for thousands of years. Archers understood the effect of dragging their arrows through dirt or feces in the medieval period. This would cause infections as there were no antibiotics at the time.

For those Justiciar Knights who feels it would be simply too risky or unrealistic to successfully manufacture explosives of the appropriate or required quanta there are other just as efficient methods of shock attacks that are available to us. Shock attacks or more precisely armed assaults, involving assault rifles or pistols, on concentrations of category A and B traitors, should be combined with the application of poison bullets. A relatively simple process will convert hollow point and even standard ammunition – lead or other alloy bullets into hollow bullets. These hollow projectiles are then injected with a biological or chemical toxin. After the injection the hole is plugged with a self-made plastic or rubber cap. The purpose of using chemical or biological rounds is to inflict fatal poisoning should the target fail to die from external or internal bleeding from the projectile itself. A relatively simple procedure and manufacturing technique converts your projectile weapon into a chemical or biological weapon. I will explain in depth how this is done for the manufacture of the chemical and biological toxin itself and for converting standard bullets into chemical and/or biological rounds.

Toxicity – LD50

The term toxicity is used to express how poisonous a chemical is. Scientists distinguish between two kinds of toxicity: acute and chronic. Acute toxicity refers to the amount of damage caused by a chemical after a short-term exposure to a large dose of the chemical.

Scientists have various ways of measuring the acute toxicity of a chemical. Perhaps the most common is called LD50 . The abbreviation LD50 stands for "lethal dose, 50 percent." It is the amount of the chemical required to kill one-half of a population of organisms in a short period of time.

In order for a toxin to be useful as a weapon with lethal effect it is required that the LD50 dose physically fits inside a hollow projectile. This excludes the great majority of toxins as most poisons have an LD50 of more than 500 mg.

Projectile capacity vs. caliber:

7.62 – 300 mg
5.56 – 100 mg (too small)
9 mm – 150 mg

How to create chemical/biological bullets

For this you will need a rifle/pistol hollow point bullet. Hollow point ammo is impossible to acquire for pistols in most countries and hard to acquire for semi-automatic rifles in some. If acquiring hollow point ammo is not an option for you, you have two options:

1. Buy hollow point bullets (JHP) and use a syringe to inject the toxin. Plug the hole when done. If necessary, use the thinnest of drill heads to make the hollow area bigger before injection and plugging.
2. I haven't actually bothered to test the following method, since I have access to hollow point ammo for my Ruger Mini-14. But theoretically, this should work: set up an improvised work

bench, fasten the projectile (I don't think it will work if the projectile is still inside the bullet) and drill out a hollow chamber in each projectile from the top down (you first cut off the tip with a metal clipper). It may be easier to use FMJ (full metal jacket) bullets as it consists of a lead projectile with a metal layer. When you clip the edge it should be easy to drill out enough lead to form an appropriate hollow chamber which can be plugged. This will require some practice and expect to fail on your first few projectiles. As soon as you have successfully drilled out a hollow chamber inside the desired number of projectiles you must self load these projectiles to produce bullets. As soon as you have created the bullets only the injection and plugging remains. Choose an injection method based on the toxins substance form. For liquids use a syringe with needle, for powder use a mini funnel. As you have injected the desired amount of toxin (60-150 mg) you seal the chamber by placing a small circle of aluminum foil (created by using a paper hole puncher. You put the circle in place with a pincer and place a drop or two of superglue to seal the chamber. You then place another circle of aluminum foil above the layer of superglue followed by a drop or two of melted tin to complete the job. Alternatively, you may create plastic/rubber improvised plugs and for example add a little bit of super glue. You end up with a chemical/biological projectile with a relatively a smooth projectile tip.

3. Bullet casting: order a hollow point custom mould from a US/Euro company and cast your own projectiles

Intro to bullet abbreviations:

Jacketed Hollow Point = JHP (common)
Jacketed Hollow Core=JHC (rare)
Hollow-Cavity Bullet=HCB (rare)
Cavity Bullet=CB (rare)
Full Metal Jacket=FMJ (common)

Cavity bullet mold:

<http://www.midwayusa.com/viewProduct/?productNumber=505491.%29>

Can also order custom moulds

<http://www.hochmoulds.com/rifle.htm>

Youtube – how to mould

<http://www.youtube.com/watch?v=VWd7qEZQx4A>

Starting the Bullet Casting Project:

<http://www.youtube.com/watch?v=GShUQvJixcM&feature=channel>

Fluxing

<http://www.youtube.com/watch?v=PG74Ds4E8cI&feature=channel>

Preparing the Bullet for Re-Loading

<http://www.youtube.com/watch?v=JGizV23t15o&feature=channel>

Common Mistakes when Casting

<http://www.youtube.com/watch?v=3c6Glhqe3xo&NR=1>

Lubing bullets – How to Pan Lube Cast Bullets

<http://www.youtube.com/watch?v=bBDF00ftCQc&feature=related>

<http://www.youtube.com/watch?v=jt42PAHDUU0&feature=channel>

http://www.youtube.com/watch?v=V_vYYoArHtE&feature=related

Equipment required:

1 x Electric furnace (Lee precision furnace)

2 x bullet mould

Long steel spoon with wooden handle (to gather impurities in the fluxing process)

1 x leadle (furnace spoon for molten lead)

20 x bullet lead bars (melted in the furnace)

1 x piece of wood to tap open the mould.

1 x full face respirator with toxic vapor filters (for example 3M 6800), since lead is a toxic substance and will cause fumes to form. The safety glasses component of your full face respirator will prevent any lead splatter in case water accidentally touches molten lead.

Step 1:

Fluxing: You need to make sure your lead is clean before you cast it into the mould. Thus, you need to start with a simple lead purification process which is required to ensure lead purity after you melt your bullet lead bars.

- Take a bullet lead bar and melt it in your electric furnace.
- Take a small spoon size of fluxing compound and put it in the molten lead. I do not know the exact ratio; probably 5 g per lead bar, although this is probably indicated on the box.
- Stir the molten lead until the fluxing compound (for example: a box of Frankford Arsenal – CleanCast Lead Fluxing Compound) is completely dissolved and impurities start to gather on the surface.
- Spoon out the impurities until the surface is completely “silvery”
- Your lead is now purified and you can start on the actual moulding process.

Step 2:

- Have your mould and your ladle warmed up
- Fill the mould with lead, wait 10-20 sec, then hit the mould with a tree stick over a bucket filled with water (at least 2 meters away from furnace). The lead projectiles will come out of the mould and be cooled in the bucket of water. This will instantly harden the lead projectile so you avoid any lead particles in the barrel. Avoid getting any water close to the molten lead as it will cause a reaction which will lead the lead to splash (steam explosion).

Step 3:

Preparing the Bullet for Re-Loading

- You need to put the projectiles from the bucket of water into a sizer. It will size the bullet to the exact diameter of the bore
- You then have to treat the projectiles with a lubrication liquid. You may put 100 projectiles in for example a milk jug and mix it around in a liquid lubricant. Let sit overnight in the liquid lubricant. This will ensure that the projectiles are completely lubricated and will prevent lead from being shaved off the bullet as it goes down the bore of your weapon. Ignoring this aspect will result in the projectile leaving a considerable amount of lead particles in your barrel and make it an inaccurate bullet.

Potential mistakes during bullet casting

Not all projectiles created will be usable. Estimate a 50% failure rate where the projectiles will be significantly flawed and have to be “redone”.

- Frosted bullets (rugged surface) is a result of the molten lead being too hot. Try to lower your temperature a bit.
- Impartial base on bullet: not enough lead poured in
- Large marks/voids in bullet: mould wasn't hot enough or molten lead being too hot, or mould wasn't filled in one motion
- Flawed lube bands, void in base or minor marks/voids on the side, top base: is caused by either having garbage/impurities in the mix, or whacking the sprue plate before it has cooled enough. If the lead is still very hot, the sprue plate will take some lead from the base with it.

Safety precautions:

Ensure good ventilation

Lead content in the blood at only 50 micro grams per deciliter is enough to kill you. Good ventilation and a 3M, 6800 with appropriate toxic fume filters is your best protection.

PS. There are other and even better guides out there.

Chemical/biological HP rounds against soft targets (traitors), AP/FMJ ammo against hard targets (system protectors)

You use a standard round for every chemical/biological round. A clip of 30 (28) bullets would contain 15 (14) poison rounds and 15 (14) standard rounds. You budget 2 bullets per targeted individual which will ensure at least one lethal chemical/biological hit per person. Hollow point bullets are superior for soft targets (targets lacking armour) as the projectile mushrooms immediately after penetration of the skin. This results in optimal tissue damage and prevents the projectile from exiting the body. As such, the chemical or biological toxin is dispersed in and around the wound.

If you bring a total of 10 extra large clips – 28 bullets per clip (5 for your 9 mm side arm and 5 for your semi-automatic assault rifle) you will require a total of 140 chemical/biological rounds.

You should always bring a couple of clips containing ammunition designed for defeating system protectors (with level IIIA body armour). Hollow point ammo is worthless against such armour as it fails to penetrate the Kevlar. For defeating system protectors you must bring AP ammo, alternatively brass bullets or FMJ. However, an alternative strategy is to set up your "system protector clip" in such a way that every other bullet is chemical/biological. In an optimal setting you could be able to aim for the legs/arms/face every other shot. Because if the word is out that KT is using lethal chemical/biological rounds against system protectors again, it will contribute to sow terror into their hearts and will thus contribute to defection or as a deterring factor.

Reviewing appropriate toxins

Poison	Availability	LD50 for a 75 kg person
Tetrodotoxin (globefish toxin)	Hard	0,75 mg
Hydrogen cyanide	Hard	30 mg (1 drop)
Sodium cyanide	Hard	40 mg (1 drop)
Potassium Cyanide	Hard	60 mg (1-2 drops)
Ricin	Moderate	60 mg (1-2 drops)
Nicotine 100% pure	Easy	60-80 mg (2 drops)
Saxitoxin (shellfish poison)	N/A	60 mg (1-2 drops)
Diarsenic Pentoxide	N/A	600 mg (not enough room)
Carbofuran (a pesticide)	N/A	750 mg (not enough room)
Heroin (50-75% pure)	Easy	1 g (not enough room)
LSD	Easy	1,2 g (not enough room)
Phosphamidon (an insecticide)	N/A	1,8 g (not enough room)
Arsenic	Moderate	57 g (not enough room)
Potassium Chloride	Moderate	190 g (not enough room)

Note: Unfortunately, cyanide is extremely difficult to come by due to its popularity among suicidal individuals.

Other Poisons

LD50 for rats

Cobalt chloride rat, oral	80 mg/kg
Cadmium oxide	72 mg/kg
Strychnine	16 mg/kg
Arsenic trioxide	14 mg/kg
Metallic Arsenic	13 mg/kg
Sodium cyanide	6,4 mg/kg

White phosphorus	3,03 mg/kg
Mercury(II) chloride	1 mg/kg
Beryllium oxide	0,5 mg/kg
Aflatoxin B1 (from <i>Aspergillus flavus</i>)	0,48 mg/kg
Venom of the Inland taipan (Australian snake)	0,25 mg/kg
Dioxin (TCDD)	0,20 mg/kg

Note: rats usually have a higher resistance to toxins so smaller amounts per kg are required to kill a human.

Safety precautions

Lab equipment needed:

- Hazmat suit (inhaled or skin-absorbed pure nicotine fumes can kill you)
- Full facemask with correct toxin filters
- A box of latex gloves
- Proper ventilation

Exercise great care when purifying and handling pure nicotine or ricin. You need to set up a lab and ensure that you have proper ventilation. Buy a hazmat suit. Lakeland Dupont Tychem F suits with hoods and boots are available for as low as 11 USD on Ebay (I got mine for this price). Buy a face mask; for example a 3M 6800 full face respirator with appropriate filters (choose Organic Vapor/Organic Vapor-Acid/Organic Vapor-Acid-Gas filters) depending on the chemicals you will be working with. You can buy this facemask with filters from Ebay for as low as 100 USD (I got my mask with filters for 130 USD incl. shipping).

Ricin bullets, biological rounds – Death by diarrhea

Ricin is produced easily and inexpensively, is highly toxic, is stable in aerosolized form, and has no treatment or vaccine. It is extracted from the castor bean by using a specific purification method.

Source 1: A single castor bean contains a few micrograms of ricin. 5-20 castor beans worth of ricin would be enough to kill a person.

Source 2: According to the Merck Index: An Encyclopedia of Chemicals, Drugs, and Biologicals (1997), a dose of ricin weighing only 70 micrograms (size of 1 salt grain) will kill a person.

Source 3: Ricin is one of the most poisonous naturally occurring substances known to man. As little as one milligram of ricin can kill an adult.

Source 4: 1-2 granules will kill a person

Ricin is even more toxic than strychnine and cyanides. Ricin also has the ability to accumulate in the body until a lethal dose is reached. Symptoms of ricin poisoning are stomachache, headache, fever, nausea and vomiting, bloody diarrhea, cold sweat,

sleepiness, disorientation, shortage of breath, seizures, and death. Ricin if inhaled or even touched can kill in a day or two.

A few decades ago, a Soviet assassin, in Western Europe, killed an anti-Communist using an umbrella weapon. Georgi Markov was a Bulgarian journalist who had spoken out against the Bulgarian government. While waiting for a bus near Waterloo Station in London, in 1978, Markov was murdered, stabbed in the leg with a poisoned umbrella. A perforated metallic pellet stuck in his leg was found to contain the deadly ricin toxin.

The mottled seeds of castor bean, which are about the size and shape of large pinto beans, contain two powerful poisons, the alkaloid ricinin and the toxalbumin ricin.

Common uses include lubricants in oil.

Guide 1: How to Extract Poison From Castor Beans



Guide 2: How to extract ricin



Nicotine bullets, chemical rounds – Death by respiratory failure

Pure nicotine is one of the most deadly poisons on earth. Pure nicotine (99%-99.5%) from China is typically solvent extracted from tobacco leaves and is described as a clear to yellowish oily liquid. This is generally sold by Kg (weight) as opposed to volume (L). However from all I've seen, these liquids have the same density as water 1kg=1L.

Handling techniques

It is important that you make sure that proper handling techniques are applied as two drops of this on your skin will kill you, and I'm sure the vapors would do the same.

Quantity required and price

You really won't need more than 30 ml per Justiciar Knight. 30 ml is equivalent to 600 drops. As two drops is equivalent to 50 mg (you should inject 4 drops per bullet just in case) this will be enough for exactly 150 bullets. 4 drops (0,05 ml per drop) is equivalent to 100 mg per bullet which is 40% more than the LD50 for humans with a weight of 75 kg.

Market price is currently 150 USD for 1Kg of 99% pure liquid nicotine + 160 USD DHL shipping = 310 USD total. I just ordered a sample batch of 50 ml for a total of 80 USD including shipping. If it doesn't get through customs I will have to extract nicotine from tobacco as described in another section.

Effects of nicotine poisoning

Nicotine initially causes a burning sensation in mouth and throat, then salivation, nausea, abdominal pain, vomiting and diarrhea. Then systemic effect including incoordination, headache, sweating, dizziness, auditory and visual disturbances, confusion, weakness and incoordination. At first respirations are deep and rapid, blood pressure is high and pulse is slow. Intense vagal stimulation may cause transient cardiac standstill or paroxysmal atrial fibrillation. Pupils are generally constricted. Central nervous excitation is also evidenced by tremors and sometimes by clonic-tonic convulsions. As depression develops, the pupils dilate, the blood pressure falls and the pulse becomes rapid and often irregular. Faintness, prostration, cyanosis and dyspnea progress to collapse. Death from paralysis of respiratory muscles, usually only a few minutes after collapse.

There is a cure, but it has to be injected within 5-20 minutes after nicotine overdose. Dying from nicotine overdose is considered a horrible and painful death.

Cigarette content of nicotine - average size/average strength tobacco

1 cig = 10mg nic (approx)
1 pak cig = 20 cigs x 10mg = 200mg nic
1 carton cigs = 10 paks x 200mg nic = 2000mg nic
1lb tobacco yields about 3 cartons cigs x 2000mg = 6000mg nic
1oz eJuice = 30ml x 36mg nic per ml = 1080mg nic per 1oz bottle
1lb tobacco = 6000mg nic divided by 1080 mg nic per 1 oz eJuice = 5.5 1oz bottles eJuice

Snus content of nicotine:

Mini portion is usually 4mg/portion
Standard portion is usually 8mg/portion
Strong portion is usually 12-17 mg/portion

1. Thunder portionssnus contains 16 mg PER GRAM (Thunder Extra Strong Original Portion), the strongest snus available. (either Thunder or Odin snus)
2. General Ekstra Sterk contains 15 mg per pouch.

A roll (10 boxes) of portion weighs 390 g whereas 240 g is snus
A roll of loose weighs 620 g whereas 450 g is snus

Price – one pack of snus:

Snus 20 pack portion: 35 SEK (16 mg/g): = 384 mg per box
Snus 20 pack loose: 35 SEK (16 mg/g): = 720 mg per box
Smoke 20 pack 100s 35 SEK (12 mg per): 240 mg per pack

Extracting nicotine from tobacco or snus?

In theory, snus seems like the most cost efficient alternative when is extraction of nicotine. However, it is allegedly a lot easier to extract nicotine from tobacco so choosing snus as the source for extraction is not recommended. At least, this is according to 4 individuals who apparently tried 20 different methods for extracting nicotine from snus (found sources on e-cig forum). I will make an attempt myself on extracting from both snus and tobacco to confirm this, if my Chinese parcel is seized.

But if I am unable to order pure nicotine from Asia, I will probably end up selecting tobacco (and not snus) as the source for extraction.

Decoction as extraction method

Decoction is a method of extraction by boiling of plant material. The method of extraction is very simple:

From snus:

Put loose snus in tea bags, boil, then filter, then boil again etc (Similar to tobacco approach). I've also heard that microwave-boiling snus in water for a two-three minutes will yield even better results.

From tobacco:

Guide 1:

http://www.e-cigarette-forum.com/forum/diy-e-liquid/14607-nicotine-extraction-tobacco.html

Guide 2:

http://www.e-cigarette-forum.com/forum/diy-e-liquid/14607-nicotine-extraction-tobacco.html

Guide 3:

http://www.e-cigarette-forum.com/forum/diy-e-liquid/14607-nicotine-extraction-tobacco.html

Guide 4:

Buy e-juice (liquid with 10% nicotine) and boil down. E-Juice is pretty inexpensive even at \$20. per ounce.

Guide 5:

<http://answers.yahoo.com/question/index?qid=20070623163309AA7f6DI>
<http://answers.yahoo.com/question/index?qid=20070823223529AAfakX1>

Sources:

<http://www.e-cigarette-forum.com/forum/diy-e-liquid/14607-nicotine-extraction-tobacco.html>

Nicotine fumes last about half an hour in air environment

In its pure form, which is called "freebase nicotine", it reacts chemically with oxygen in the air, with water, and most other living tissues, destroying them instantly.

Freebase nicotine is highly poisonous and is sometimes used as an insecticide. It makes a good insecticide because it only lasts about half an hour in the environment, being so unstable in the presence of air. In very small amounts, freebase nicotine can be injected into a person's bloodstream and has an effect almost identical to cocaine.

Safety precautions when working with pure nicotine

- 3M 6800 full face mask with toxic/chemical vapor filter
- Hazmat suit
- Gloves
- Good ventilation
- Nicotine fumes will stay active in the air for approx 30 mins so don't remove your respirator and suit until you are sure the air has acceptable quality
- Some swear to laboratory fume hoods (glass boxes with direct ventilation) but I don't think this is necessary as long as you have the above

Take the necessary precautions even when handling lower % nicotine liquids. Basics like gloves, pipettes, funnels, graduated cylinders, beakers, storage bottles of various sizes, goggles, and even a proper respirator from paint supply if dealing with high nic juice.

Buying pure nicotine (nicotine USP)

You may buy pure nicotine from the following suppliers:

<http://www.jgherb.com>

Also, check the several hundred Asian suppliers through Alibaba.com

<http://www.alibaba.com/showroom/pure-nicotine.html>

In the UK, 7% is the max legal content. Similar percentages probably apply in some other EU countries as well.

Another alternative to ordering online is to make an arrangement with a supplier, then travel to china and smuggle the pure nicotine in your briefcase. Nicotine is not considered as a narcotic so if you get caught you will only get a fine.

How much of 99% pure nicotine do you need for each hollow point bullet?

Given that 2 drops (I would probably go with 3 or 4 if enough room in projectile) is enough for each lethal dose/bullet you would need :

10 magazines (28 bullets whereas 14 are chemical): 14×10 magazines = 140 bullets
 140 bullets \times 2 drops = 280 drops
A "metric" drop = 0,05 ml (50 μ L)
 280 drops \times 0,05 ml = 14 ml

0,10 ml = approx 50 mg of pure nicotine which is almost the LD50 doze for a 75 kg individual (40-60 mg).

In other words; in order to create 140 nicotine bullets containing 50 mg of nicotine you would need to aquire 14 ml of pure 99% nicotine. You then inject 0,10 ml of nic using a 1 ml syringe w. needle and then plug the bullet.

However, you should probably use at least 0,20 ml (4 drops) per bullet which is approx 100 mg (almost twice the lethal dose for a 75 kg individual). You would then need to acquire 28 ml/0,028 liters of pure liquid nicotine.

Tips when ordering chemicals from other EU countries or from Asia

Nicotine is categorized as a pharmaceutical compound and not as narcotics in most European countries so if customs seize your package; they will usually just ship it back to sender and you will most likely not have to worry about them pressing charges. They might even allow the shipment if you seem like a credible receiver with a registered company.

Factors which will increase your chances for successfully ordering/receiving pure nicotine and other chemicals:

Register a company; not necessarily a corporation, but a less significant/expensive judicial entity. The name of the company should be chosen based on a tactical assessment. For example something with geo, farm, pharmaceutical, laboratories, research or perhaps something relating to mining etc. I chose a hybrid for my company (Geofarm) as it eased my efforts when starting the process of acquiring large quantities of AN fertilizer as well. Few if any "red flags" will be raised if you "appear to be" a legit organization. The name will help you when ordering chemicals from foreign companies and in relation to customs procedures.

You may even consider acquiring a research permit from your government to further the justification and easing the process of acquiring chemicals. Always act in a formal and polite manner when contacting companies.

3.56 Evaluating the possibilities for acquiring and employing nuclear weapons in phase 1

PCCTS, Knights Templar "franchise" operations, lead by autonomous/ independent cells, will continue to emerge around Europe in the coming decades.

There are cells that are already in the process of attempting to acquire chemical, biological, radiological or nuclear materials although it will be literally impossible to create a small nuclear bomb (0,1-0,2 kt) in phase 1 of the European civil war.

Efforts to clandestinely build a nuclear device require a coherent and consistent investment measuring in the billions (if not tens of billions) of dollars over a period likely spanning a decade or more. We would require large, fixed, well-powered and vulnerable installations for a variety of aspects of the effort. These installations represent an enormous risk and opportunity cost for PCCTS, Knights Templar. The cultural Marxist hegemony (USASSR/EUSSR) closely monitors some of the equipment we will need to acquire and they will concentrate an enormous investment of intellectual, financial and material resources into just the sort of target that they can bring their air power to bear upon.

Though the history of the use of advanced chemical, biological or nuclear weapons in guerilla warfare is limited, the fact of the matter is that in most cases where groups have considered pursuing these capabilities have ultimately led to them being abandoned in

favor of more obtainable and efficient tactics. They simply fall well short of the destruction wrought by simpler and more conventional explosive devices. Pound for pound, euro for euro and hour for hour of effort, high explosives are far more effective at inflicting massive category A and B casualties.

The innovation of using certain civilian infrastructure as destructive devices is far more in line with a guerilla organisations operational thinking than concepts of concentrating resources on building vulnerable secret facilities. Doing so runs in the face of basic operational security considerations for any liberation movement. However, it should be noted that essential components can be acquired from surprising locations. For example fissile material can be stolen from any major hospital (at least enough to create a nasty little dirty bomb) and other components may be acquired from the Russian mafia. Furthermore, there may open up windows of opportunities such as that of Russia in the 90s.

But what about acquiring a nuclear weapon that has already been built? The security of nuclear weapons is and has long been an important concern for the cultural Marxist hegemony.

However, the effort involved in actually trying to steal a British or French nuclear warhead would entail a significant dedication of resources and an immense intelligence effort beyond the reach of almost any liberation organisation. Indeed, the odds of a failure are high, no matter how careful and meticulous the planning. The nuclear weapons facilities in the UK, France and Germany (owned by the US) are obviously not as hardened as others, but taken as a whole, they are some of the hardest targets on the planet, and the personnel better vetted than almost any other institution. As of now, we do not have enough insiders working in the French, British and German facilities although we might have enough in phase 2.

Even the lightest attempt for a Justiciar Knight cell to begin probing runs the risk of not only failing to acquire a bomb, but setting off a series of alarms and red flags that brings such an aggressive investigative and law enforcement/military response down on the that particular cell that it could be completely wiped out before it ever attempted to target its true objectives.

And even if one could be stolen or otherwise acquired, modern nuclear weapons have been designed to include a series of highly sophisticated safety features. Though all nuclear weapons are not created equal, these range from permissive action links without which the device cannot be armed (a feature even Pakistani warheads are now thought to employ) to configurations that will actually render the fissile core(s) useless if improperly accessed. Furthermore, the theft would be difficult to carry off without setting off the same alarms and red flags that would leave little opportunity for the device to be smuggled particularly far.

Nuclear weapons are complex devices that require considerable care and maintenance — especially the small, modern and easily transportable variety. After the collapse of the Soviet Union, fears arose of a series of Soviet suitcases containing sophisticated nuclear devices were somehow lost. These fears persisted into the 21st century, well after the fissile and radioisotope materials in the design would have decayed significantly enough to effect the performance of the weapon, in addition to the diminished functionality of its other components after being handled roughly over the years.

Evaluating Nuclear Weapons and Proxies

Another suggestion would be attempting to acquire nuclear components from North Korea, Iran, Pakistan or India. A couple of these regimes might hand off a nuclear

weapon to a non-state actor or proxy of some sort, one that would detonate it at a mutually-agreeable target as soon as possible. One of these countries may use a shipping container or some other clandestine means, cooperating with a proxy, to carry out an attack on a target, the deniable use of nuclear weapons.

Three factors must be considered when addressing the above scenario. The first is an issue of trust and control. Non-state, militant proxies like the PCCTS, Knights Templar would rely on patrons, a country, for support and training. But we have our own interests as well and we hold them close. Furthermore, there is no central hierarchy in the PCCTS, Knights Templar as we are the sum of autonomous and completely independent cells. It is therefore not a monolithic, unified entity but an extremely distributed network. A majority of cells are not yet advanced enough to competently handle a large operation like this.

This of course assumes that a capable regime would ever hand over a nuke to us in the first place. Proxies must be kept dependent; otherwise they cease to be proxies. We do not share some deep bond of trust with any of these regimes. Handing over even a crude nuclear device is anathema to a potential relationship and would destroy the dynamics by which that country enforces its will as a patron. It would have provided an organisation that it can never fully trust with the one true guarantor of sovereignty.

Second, the nuclear device is the product of an immense, expensive national effort. Each individual weapon or device, especially early on, represents an enormous investment of national resources. By handing one over to an outside group, the country not only has no assurance of it being employed in the way they want, but opens itself to the prospect of that immense investment being wasted or misused.

Finally, there is the issue of risk. A nuclear weapon used in a terrorist attack against any of the cultural Marxist EUSSR regimes will be followed by the most intense, broad and meticulous investigation in human history. The fissile material that made it possible will be traced ruthlessly to its source. The necessary investigative processes are not only possible and well understood, but work to improve and further refine them has only intensified and received additional funding after 9/11. Indeed, a country providing a nuclear weapon to the PCCTS, Knights Templar could not have reasonable assurances that it would not come back to haunt them, either through investigation or interrogation of those that carried out the attack.

That country would be opening itself up to responsibility and accountability for our actions. Again, the material will almost certainly be traced back to that country. And it would be them that suffered the consequences.

The closest historical use of a nuclear proxy was North Korea's attempt to share some civilian technology with Syria (dual-use precursor technologies). It quickly decided that the entire idea was too risky and sold Syria out to Israel and the United States, resulting in Israeli airstrikes in Western Syria in 2007. So while the concern about technology sharing is real (and validated by the now infamous network of A.Q. Khan), there are also limitations to how much one country is willing to risk for an autonomous Crusader movement. The Israeli bombing and North Korea's betrayal of Syria will not be soon forgotten.

But most importantly, the PCCTS, Knights Templar are currently unwilling to detonate a nuclear warhead above 0,1-0,2 kt device as the civilian casualties would be too great. A large warhead (several kilotons) would be worthless to us. Furthermore, we currently lack the resources and competence to successfully reverse engineer large nuclear warheads and creating small nuclear devices (briefcase size devices). We may re-evaluate these options at a later time.

3.57 Using European nuclear power plants as a weapon of mass destruction

“There are no limitations but those we inflict on ourselves...!”

Chernobyl, an accident or the most successful anti-Marxist attack in recorded history?

Many political analysts claim that the Chernobyl accident was one of two primary factors (Chernobyl + Afghanistan) which broke the back of the Soviet Union. This is perhaps true, at least it contributed significantly to the fall of this Marxist terror regime. But what if it wasn't an accident at all but rather the actions of a Ukrainian nationalist military cell which had successfully infiltrated the plant? These brave anti-Marxist operatives might have infiltrated the facility and posed as plant-workers. They sabotaged the facility and caused the accident well knowing how much damage it would cause to the Soviet Union. As this scenario seems farfetched it is still hard to completely rule out the possibility. Obviously, it was not in the interest of the Soviet Union to admit to such a “military” defeat and it was not in the interest of the armed Ukrainian nationalist movement to take credit for the attack. Taking credit for such a devastating attack would prompt the Soviet tyrants to completely wipe out all Ukrainian nationalists and patriotic sympathisers as a result. How many millions did the Soviet Union massacre; 40-60 million? And how many more would it have massacred had it not been for this brave Ukrainian nationalist cell? They inflicted massive civilian suffering, tens of thousands dying of cancer (a majority was caused by a significant delay in evacuation though and cannot be blamed on the cell). However, at the same time they may have actually saved millions from certain death.

Morally justifiable?

This also raises an important question. Would it be morally justifiable to initiate an attack of this magnitude in order to end a genocidal and evil regime committed to wiping out everything European? It is important to understand how much power we, the National Resistance Movements of Europe possess over human life. A Justiciar Knight has a lot of responsibility to make just choices based on pragmatical evaluations and considerations. A Justiciar Knight must never act blindly and based on hate alone. Hate will drive you to the most disproportionate actions resulting in excessive and unnecessary suffering.

Thorough pragmatical estimations must be made in order to make our decisions as judges:

With our current regimes, over the next 5 decades:

- How many of our sisters have and will be raped by Muslims?
- How many Europeans will be ravaged, robbed, beaten, terrorised or killed by Muslims?
- How many of our brothers and sisters will commit suicide due to these atrocities?
- How many Europeans will die in the future Christian-Muslim war on European soil? Hundreds of thousands, perhaps millions?
- Can we afford to speculate in the outcome of the coming Christian-Muslim war? What if we lose? How many Europeans will be massacred or enslaved by Islamic forces on European soil if we lose? Hundreds of thousands, perhaps millions just like in Anatolia or India?

- How many patriotic oriented individuals will be ridiculed and persecuted by our multiculturalist oppressors?

See all charges 1-8 for a complete overview of atrocities committed directly or indirectly by the current cultural Marxist regimes.

Expected Muslim atrocity report for the next 10 years (see: Muslim atrocities committed against Western Europeans 1960-2010 (2020)):

- 1 million+ of our sisters raped.
- 3-4 million+ of our brothers and sisters ravaged, robbed, beaten, terrorised
- 30 000-40 000+ murdered directly/indirectly (suicide due to atrocities)

When you compare these numbers to the casualty report of a future Chernobyl attack it is obvious that the above numbers would be equivalent to 10-50 Chernobyl attacks.

Considerations and evaluation of strike

The European Resistance Movements will have to re-evaluate our future assault methods closely and based on our ideological success as a result of using conventional weapons of mass destruction (WMDs).

What if a majority of our future cells are annihilated by EUSSR agents or if they somehow manage to pacify us through harsh monitoring laws? What if they succeed in their pursuit to suppress and persecute us? Based on our success or failure in using conventional weapons, we might end up in a situation where we will have to consider the possibility to use drastic measures in order to financially devastate our enemies. Pragmatical operational reasoning involves using methods which will yield the maximum results for a minimum of invested resources (euro by euro, hour by hour, requiring a minimal number of sacrificed martyrs).

If we are unsuccessful in achieving concession from them and they continue with the indirect ongoing genocide of Europeans we will have to consider using methods which were deemed too extreme in the past.

The Chernobyl disaster broke the back of the Soviet Union. A new Chernobyl disaster in the heart of Western Europe will break the back of the EUSSR, have no doubt. Causing a new Chernobyl disaster on a multiculturalist regime would completely cripple them and might eventually lead to the collapse of the EU altogether or any targeted individual regime. However, it would potentially cause massive civilian suffering and/or hundreds of thousands or even millions of internally displaced individuals (refugees). A new Chernobyl disaster in the heart of the EU will not be as devastating (civilian suffering) as that in Ukraine/Belarus. Western European regimes will not wait a week before informing and evacuating the public so the number of individuals affected will be significantly less (estimated to less than 10 000-50 000).

It may be required to make such sacrifices in order to end this experimental multiculturalist nightmare and genocide. Sometimes, the situation requires us to be cruel and kill a limited number of civilians (indirect casualties in shock/sabotage attacks) in order to prevent much more severe long term atrocities against our peoples. In fact, from a pragmatical viewpoint, it would be inhuman not to act in a cruel manner when the

alternative is much worse. Just focus on targets that can be morally justified and accept casualty numbers that are far from exceeding the alternative future atrocities.

The resettlement of millions, mass building of new housing units, financial compensation for up to several millions will bankrupt any multiculturalist European country and will force them to halt all Muslim immigration. Furthermore, it will cause the regime to cut all funding of minority groups and foreign aid and instead focus on rebuilding. The costs will be astronomic and in today's currency amount to as much as 1000-5000 billion Euro which is enough to bankrupt any regime. The regime will have no choice but to drastically reduce their over-inflated public sector resulting in hundreds of thousands of unemployed. All Western European countries will be forced to immediately halt all Muslim immigration as they are forced to help the internally driven European "refugees".

People who are already suffering will finally be freed from the ideological shackles (political correctness) that prevented them from standing up and fight for what they believe in. Standing up for their ideals will involve suffering. However, at this point the suffering is already prevalent so they will have nothing to lose. These conditions will be favourable for further consolidation and for the creation patriotic armed militias. Eventually, the conditions will be there for a military coup and we will fully take advantage of this window of opportunity.

If we successfully manage to seize political and military control of at least one Western European country in phase 1 (as a result of a regime collapse caused by the nuclear power plant attack) we may actually manage to deport all Muslims before they become a majority, and by doing so we potentially save millions of European lives from the war that most certainly awaits us when the Muslims in any given country become the dominating force and grow overconfident. Inflicting cruel cancer deaths on 1000 - 10 000 Europeans (in P1) might actually be the most humane thing we do, if their sacrifice contributes to prevent a bloody Christian-Muslims civil war (in P3) resulting in millions of deaths. And what if we lose the Christian-Muslims civil war in P3? A worst case scenario will be a repetition of the Hindu Kush genocides (80 million massacred Hindus, 100 million enslaved) resulting in the massacre and enslavement of an equivalent amount of Europeans should the Muslims dominate us one day.

Deadline - January 1st, 2020

The PCCTS, Knights Templar will allow all Western European regimes to capitulate to our demands and we are hereby giving them a deadline which is January 1st, 2020. We will not initiate any nuclear power plant attacks until the deadline has passed (we will instead focus on non-nuclear attacks until then). However, if the Western European multiculturalist regimes do not fully implement our demands - stop the European genocide, deport all Muslims from Europe and ban multiculturalism as an anti-European hate ideology - by this date, we are committed to effectuate ALL necessary measures in order to stop them from annihilating everything European (see complete overview of demands in another chapter). This decision is not mine to make but must be decided by future Justiciar Knight Commanders based on several factors. At that point, diplomatic and conventional military efforts will have been exhausted. The following overview is to prepare all current and future European PCCTS, Knights Templar cells for what lies ahead. I have included an overview over potential targets. The planning phase should be initiated at least 5-10 years prior to the execution of the attack (as we might rely on insiders), which will happen after the deadline at earliest. All committed individuals will have ample time to take a relevant education granting them access to W. European Nuclear facilities. At that point, given that the Western European multiculturalist regimes ignore our demands; operation "Regime Ender" can be justified and will be implemented.

3.58 Nuclear power plant assault strategy: "Operation Regime Ender"

Minimum requirements:

- Assault team: 2-3 man cell (1 Justiciar Knight Commander, 1-2 JK operatives)
- Extraction/exit strategy: martyrdom operation, no chance of survival due to massive radiation
- Minimum funding required: 50 000 – 300 000 Euro
- Primary WMD: 1 x 2-7 ton "barrack buster" WMD, depending on strength of containment building. A smaller charge (50-200kg charge) may have to be transported inside the containment building to the secondary containment structure (if that facility has one) as the blast from a large single source detonation may be unable to destroy the reactor inside the containment building due to the fact that a secondary containment structure shielded against the initial blast. Not all nuclear power plants use a secondary containment structure (see other approaches).
- Method of delivery: aerial or ground vessel, alternatively smaller charges are brought inside the facility and placed near reactor. A small scooter vehicle that has a carrying capacity of 100-500kg may be used to transport the charge(s) from the truck outside.
- Equipment required: 2 trucks (one for the primary WMD and one for the secondary freight vehicle, the smaller secondary mobile bomb, the makeshift bridge and the load of gasoline/rubber/tar mix), full body armour, assault rifles, grenades, armour penetration rounds. The assault team will bring extra equipment for any infiltrators already at the facility.
- Operation description: containment building and all containment barriers must be destroyed, reactor must be destroyed (optimally while online and before the Reactor Protective System has been activated), the load of gasoline/rubber will be placed and lit inside and close to the reactor to ensure the development of significant plumes (further studies required)

Potential obstacles: multiple armed guards, 1-2 checkpoints with armed personnel, each with anti-vehicle barriers (either tire puncturing devices or other anti-vehicle barriers). The compound is likely to be encircled by at least one concrete wall.

Assault strategy 1 (no insiders): An assault team of three Justiciar Knights, depending on plant security, might be enough to neutralise the checkpoint guards (based on the number of armed guards). Some facilities will have many; others will have no armed guards at all. Deception might prove valuable. For example by posing as representatives from the fire authorities, forging IDs, insignia and uniforms. Bomb truck may be modified so it mimics a fire truck.

Assault strategy 2 (no insiders): An assault team of three Justiciar Knights. Two fight their way inside, forces the plant workers to take the reactor online and deactivates the interior bomb shield, then detonates a smaller charge (50 kg) destroying the reactor. One Knight should study the safety systems and learn how to turn the reactor online, unless restricted by keys, password, etc. As soon as this is done the third Knight (who is outside waiting in the "barrack buster truck") detonates the load and tears a hole in the containment building. A truck containing gasoline/rubber with a bridge device might be required to ensure that the required plumes are generated inside which will transport the radiation to the atmosphere. It is likely that the interior bomb shield is likely to activate

automatically as soon as the first explosion detonates. In this case, a total of 3 bombs will be required (1 large, 2 smaller).

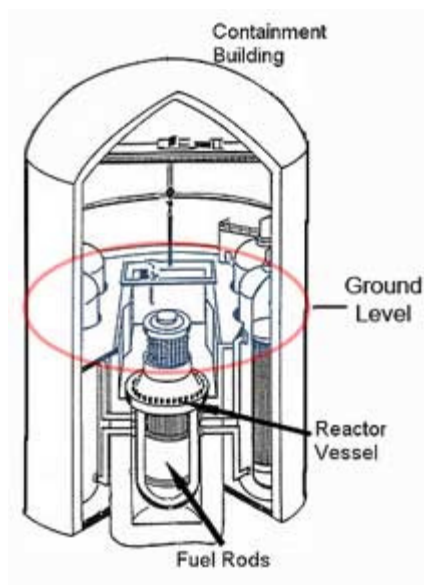
Assault strategy 3 (1 insider+2): An assault team of two Justiciar Knights might be enough to neutralise the checkpoint guards given that one Justiciar Knight works at the checkpoint undercover. The undercover guard can easily neutralise the other checkpoint guards, deactivate security measures and open the gates.

Assault strategy 4 (insider assault – similar to the Chernobyl attack): An assault team of 2 armed Justiciar Knight insiders might be enough to shut down/sabotage the Reactor Protective System (ECCS and SLCS) by f. example sabotage certain reactor emergency systems so that the system cannot initiate an automatic SCRAM procedure and: 1. sabotage the emergency diesel generators and 2: rupture a large coolant pipe in the location that is considered to place the reactor in the most danger. However, due to the airtight containment building this insider assault would need an external Justiciar Knight to blow a hole in the building or cause the structure to collapse. The outside Knight would need to be heavily armed and successfully manage to place a load of 4000-7000 kg of explosives close to the containment building in order for the leakage to reach the atmosphere.

Assault strategy 5 (aerial assault): A civilian aircraft with enough carrying capacity to hold 2-5 ton of cargo may be used. The detonation has to be timed perfectly as the blast radius has to be able to destroy the containment building. Testing shows that many containment buildings can withstand a direct hit by both fighter jets and even civilian airliners. However, it is uncertain how a civilian aircraft loaded with explosives would cause. There is a no-fly-zone surrounding the facility. Any ground to air missile devices (if any) placed close to the facility may pose a threat to the aircraft.

Assault strategy 6 (aerial assault): Not a very realistic scenario but in any case: at least two of the cell members infiltrate a military compound (the closest one to the power plant) and uses a fighter jet loaded with a bunker buster missile to destroy the reactor. I am not even sure if bunker buster missiles exist though or if there are any jet fighter missiles which has the potency to penetrate a containment building (they are sometimes constructed to withstand missile attacks). Justiciar Knights already working within the air force may serve this purpose as well as long as one of them can operate a fighter jet and the other one has the competence to fuel and arm it. Unlikely scenario.

End note: for plants with a containment building and a secondary containment structure (fully or partly submerged underground), a secondary or even a tertiary explosive device may be required based on the damage inflicted by the primary blast. 100 kg for the secondary and tertiary bomb should be enough. The problem here is that the carrying capacity of an individual is 50 kg at best which reduces the possibilities to transport a secondary bomb inside the facility. However, based on the size and shape of the crater after the initial blast (and whether the structure collapsed or not), a larger secondary bomb (200-500kg) can be transported inside the facility using a transportation device such as a snow-mobile or a re-designed scooter. Components to create/deploy a makeshift bridge over the crater may be necessary in order for the vehicle to safely cross the crater. A study of the target facility is required in order to evaluate the desired attack strategy.



Our reliance on plumes[1]

Let's imagine the following scenario:

1. The containment building and all containment barriers were breached by the primary "barrack buster" (4000-7000 kg)
2. The reactor was successfully destroyed while being in an on-line state

As our primary goal is not to destroy the reactor alone but to ensure a significant release of highly radioactive fallout into the atmosphere and over an extensive geographical area, we rely on plumes caused by fire (momentum) as the "transportation method". We may have to consider including a third truck loaded with a mix of gasoline and tar/rubber and detonate it as close to the reactor as possible (optimally inside the containment building). Alternatively a load of 2000 litres of gasoline/rubber/tar mix may be included in the second truck and placed strategically inside and close to the reactor by the scooter/snow-mobile prior to or after we destroy the reactor. This would result in the development of significant plumes transporting highly radioactive fallout into the atmosphere and would thus drastically increase the estimated "Exclusion zone".

At this point in time 1 Justiciar Knight may already be dead and the two others severely contaminated. The final goal for the contaminated Knights will be to prevent all rescue personnel from:

1. Sealing the blast hole in the containment building (depending on the radius of the whole)
2. Putting out the fires for the next 60 minutes

The regime will counter this strategy by sending in an assault team (with hazmat suits). These suits will prevent them from fighting efficiently. The Knights final stand will cause a significant delay of the regimes counter-measures.

Financial losses and human suffering relating to the successful implementation of: "Operation Regime Ender"

Financial losses for the multiculturalist regime:

- Resettlement of everyone within the exclusion zone: 30-50 (100) km radius (300K - 2 million people)
- Causing all infrastructure within the exclusion zone: 30-50 (100) km radius to be abandoned for the next 200 years due to the release of highly radioactive fallout.
- All businesses within the exclusion zone (thousands of small to medium businesses) will be paralyzed resulting in a massive loss of taxes for the regime
- A large proportion of the 300k - 2 million "internally displaced individuals" (refugees) will be pacified for a long period resulting in a massive loss of taxes for the regime.
- Continuing and substantial decontamination and health care costs
- National stock market will collapse as everyone will panic sell and attempt to salvage their funds

- Pan-European stock markets will take a severe blow and are likely to crack as the panic spreads
- International stock markets will take a severe blow and are likely to crack as the panic spreads
- The national currency (or Euro) will be significantly weakened as currency investors will sell their positions and stay out
- Such a blow is likely to cause a chain reaction causing foreign governments to dump government issued bonds which will further weaken the currency

The costs will be astronomic and in today's currency amount to as much as 1000-5000 billion Euro which is enough to bankrupt any regime.

Such a devastating blow is calculated to break the budget, jam the bureaucratic gears into gridlock, and bring the system crashing down. Fear, turmoil, violence and economic collapse would accompany such a breakdown (after the successful implementation of "Operation Regime Ender") providing perfect conditions for fostering radical change (coup d'état).

Innocent human suffering/casualties

The 2005 report prepared by the Chernobyl Forum, led by the International Atomic Energy Agency (IAEA) and World Health Organization (WHO), attributed **56** direct deaths (47 accident workers and nine children with thyroid cancer) and estimated that there may be **4000** extra cancer deaths among the approximately 600 000 most highly exposed people. Although the Chernobyl Exclusion Zone and certain limited areas remain off limits, the majority of affected areas are now considered safe for settlement and economic activity due to radioactive decay.

Many will claim that polluting our own lands is an unacceptable cost. However, 200 years of infertile ground in the exclusion zone is absolutely nothing compared to the fact that our ancestors have ruled this land for the last 10 000 – 12 000 years and will continue to rule it for the next 10 000 years.

Inaccuracies in the estimated casualty report

A majority of individuals were exposed to radiation as a direct result of the Soviet Union's unwillingness to evacuate (one week delay) and their unwillingness to prevent contaminated agricultural products from being distributed. Furthermore, the dictatorship in Belarus deliberately continued to distribute agricultural products from badly contaminated areas to their people (this is the case even today). I have been in Belarus myself and can personally attest to this as I have spoken to tens of people who has no choice but to consume contaminated food. 60% of the fallout landed in Belarus and the dictatorship is still deliberately feeding their own population with contaminated agricultural products.

The real future casualty numbers (attributed to a future attack cell) must therefore be considerably reduced:

Estimated casualty report for "Operation Regime Ender"

- Less than 50 direct deaths
- Less than 1000 future deaths cause by cancer
- Less than 10 000 exposed people.

1. http://en.wikipedia.org/wiki/Plume_%28hydrodynamics%29

Understanding Nuclear reactor technology

A nuclear reactor is a device in which nuclear chain reactions are initiated, controlled, and sustained at a steady rate.

The most significant use of nuclear reactors is as an energy source for the generation of electrical power (see Nuclear power) and for the power in some ships (see Nuclear marine propulsion). This is usually accomplished by methods that involve using heat from the nuclear reaction to power steam turbines.

Components

The key components common to most types of nuclear power plants are:

- Nuclear fuel
- Nuclear reactor core
- Neutron moderator
- Neutron poison
- Coolant (often the Neutron Moderator and the Coolant are the same, usually both purified water)
- Control rods
- Reactor vessel
- Boiler feedwater pump
- Steam generators (not in BWRs)
- Steam turbine
- Electrical generator
- Condenser
- Cooling tower (not always required)
- Radwaste System (a section of the plant handling radioactive waste)
- Refuelling Floor
- Spent fuel pool
- Reactor Protective System (RPS)
- Emergency Core Cooling Systems (ECCS)
- Standby Liquid Control System (emergency boron injection, in BWRs only)
- Containment building
- Control room
- Emergency Operations Facility

The people in a nuclear power plant

Nuclear power plants typically employ just under a thousand people per reactor (including security guards and engineers associated with the plant but possibly working elsewhere).[citation needed]

- Nuclear engineers
- Reactor operators
- Health physicists
- Nuclear Regulatory Commission Resident Inspectors

Reactor types

Classifications

Nuclear Reactors are classified by several methods; a brief outline of these classification schemes is provided.

Classification by type of nuclear reaction

- Nuclear fission. Most reactors, and all commercial ones, are based on nuclear fission. They generally use uranium and its product plutonium as nuclear fuel, though a thorium fuel cycle is also possible. This article takes "nuclear reactor" to mean fission reactor unless otherwise stated. Fission reactors can be divided roughly into two classes, depending on the energy of the neutrons that sustain the fission chain reaction:
 - Thermal reactors use slowed or thermal neutrons. Almost all current reactors are of this type. These contain neutron moderator materials that slow neutrons until their neutron temperature is thermalised, that is, until their kinetic energy approaches the average kinetic energy of the surrounding particles. Thermal neutrons have a far higher cross section (probability) of fissioning the fissile nuclei uranium-235, plutonium-239, and plutonium-241, and a relatively lower probability of neutron capture by uranium-238 compared to the faster neutrons that originally result from fission, allowing use of low-enriched uranium or even natural uranium fuel. The moderator is often also the coolant, usually water under high pressure to increase the boiling point. These are surrounded by reactor vessel, instrumentation to monitor and control the reactor, radiation shielding, and a containment building.
 - Fast neutron reactors use fast neutrons to cause fission in their fuel. They do not have a neutron moderator, and use less-moderating coolants. Maintaining a chain reaction requires the fuel to be more highly enriched in fissile material (about 20% or more) due to the relatively lower probability of fission versus capture by U-238. Fast reactors have the potential to produce less transuranic waste because all actinides are fissionable with fast neutrons,[7] but they are more difficult to build and more expensive to operate. Overall, fast reactors are less common than thermal reactors in most applications. Some early power stations were fast reactors, as are some Russian naval propulsion units. Construction of prototypes is continuing (see fast breeder or generation IV reactors).
- Nuclear fusion. Fusion power is an experimental technology, generally with hydrogen as fuel. While not currently suitable for power production, Farnsworth-Hirsch fusors are used to produce neutron radiation.
- Radioactive decay. Examples include radioisotope thermoelectric generators as well as other types of atomic batteries, which generate heat and power by exploiting passive radioactive decay.

Containment building

A containment building, in its most common usage, is a steel or reinforced concrete structure enclosing a nuclear reactor. It is designed, in any emergency, to contain the escape of radiation to a maximum pressure in the range of 60 to 200 psi (410 to 1400 kPa). The containment is the final barrier to radioactive release (part of a nuclear reactor's defence in depth strategy), the first being the fuel ceramic itself, the second being the metal fuel cladding tubes, the third being the reactor vessel and coolant system.

The containment building itself is typically an airtight steel structure enclosing the reactor normally sealed off from the outside atmosphere. The steel is either free-standing or attached to the concrete missile shield. In the United States, the design and thickness of the containment and the missile shield are governed by federal regulations (10 CFR 50.55a).

While the containment plays a critical role in the most severe nuclear reactor accidents, it is only designed to contain or condense steam in the short term (for large break accidents) and long term heat removal still must be provided by other systems. In the Three Mile Island accident the containment pressure boundary was maintained, but due to insufficient cooling, some time after the accident, radioactive gas was intentionally let from containment by operators to prevent over pressurization. This, combined with further failures caused the release of radioactive gas to atmosphere during the accident.

Types

Containment systems for nuclear power reactors are distinguished by size, shape, materials used, and suppression systems. The kind of containment used is determined by the type of reactor, generation of the reactor, and the specific plant needs.

Suppression systems are critical to safety analysis and greatly affect the size of containment. Suppression refers to condensing the steam after a major break has released it from the cooling system. Because decay heat doesn't go away quickly, there must be some long term method of suppression, but this may simply be heat exchange with the ambient air on the surface of containment. There are several common designs, but for safety-analysis purposes containments are categorized as either "large-dry," "sub-atmospheric," or "ice-condenser."

Some facilities have an advanced containment/protection system

The ultimate safety system inside and outside of every BWR are the numerous levels of physical shielding that both protect the reactor from the outside world and protect the outside world from the reactor.

There are five levels of shielding:

1. The fuel rods inside the reactor pressure vessel are coated in thick Zircalloy shielding;
2. The reactor pressure vessel itself is manufactured out of 6 inch thick steel, with extremely temperature, vibration, and corrosion resistant surgical stainless steel grade 316L plate on both the inside and outside;
3. The primary containment structure is made of steel 1 inch thick;

4. The secondary containment structure is made of steel-reinforced, pre-stressed concrete 1.2–2.4 meters (4–8 ft) thick.
5. The reactor building (the shield wall/missile shield) is also made of steel-reinforced, pre-stressed concrete 0.3 m to 1 m (1–3 feet) thick.

If every possible measure standing between safe operation and core damage fails, the containment can be sealed indefinitely, and it will prevent any substantial release of radiation to the environment from occurring in nearly any circumstance.

Varieties of containment/protection measures

As illustrated by the descriptions of the systems above, BWRs are quite divergent in design from PWRs. Unlike the PWR, which has generally followed a very predictable external containment design (the stereotypical dome atop a cylinder), BWR containments are varied in external form but their internal distinctiveness is extremely striking in comparison to the PWR. There are five major varieties of BWR containments:

- The "pre-modern" containment (Generation I); spherical in shape, and featuring a steam drum separator, or an out-of-RPV steam separator, and a heat exchanger for low pressure steam, this containment is now obsolete, and is not used by any operative reactor.
- the Mark I containment, consisting of a rectangular steel-reinforced concrete building, along with an additional layer of steel-reinforced concrete surrounding the steel-lined cylindrical drywell and the steel-lined pressure suppression torus below. The Mark I was the earliest type of containment in wide use, and many reactors with Mark Is are still in service today. There have been numerous safety upgrades made over the years to this type of containment, especially to provide for orderly reduction of containment load caused by pressure in a compounded limiting fault. The reactor building of the Mark I generally is in the form of a large rectangular cube of reinforced concrete.
- the Mark II containment, similar to the Mark I, but omitting a distinct pressure suppression torus in favour of a cylindrical wetwell below the non-reactor cavity section of the drywell. Both the wetwell and the drywell have a primary containment structure of steel as in the Mark I, as well as the Mark I's layers of steel-reinforced concrete composing the secondary containment between the outer primary containment structure and the outer wall of the reactor building proper. The reactor building of the Mark II generally is in the form of a flat-topped cylinder.
- the Mark III containment, generally similar in external shape to the stereotypical PWR, and with some similarities on the inside, at least on a superficial level. For example, rather than having a slab of concrete that staff could walk upon while the reactor was not being refuelled covering the top of the primary containment and the RPV directly underneath, the Mark III takes the BWR in a more PWRish direction by placing a water pool over this slab. Additional changes include abstracting the wetwell into a pressure-suppression pool with a weir wall separating it from the drywell.
- Advanced containments; the present models of BWR containments for the ABWR and the ESBWR are harkbacks to the classical Mark I/II style of being quite distinct from the PWR on the outside as well as the inside, though both reactors incorporate the Mark III-ish style of having non-safety-related buildings surrounding or attached to the reactor building, rather than being overtly distinct from it. These containments are also designed to take far more than previous containments were, providing advanced safety. In particular, GE regards these containments as being able to withstand a direct hit by a tornado of Old Fujitsa Scale 6 with winds of 330+ miles per hour. Such a tornado has never occurred. They are also designed to withstand seismic accelerations of .2 G, or nearly 2 meters per second in any direction.

Pressurised water reactors

As the cold war ended in 1991, newer nuclear power plants often have spherical design while pre-1991 reactors are often "can shaped" with a much more robust and massive missile shield.

For a pressurised water reactor, the containment also encloses the steam generators and the pressuriser, and is the entire reactor building. The missile shield around it is typically a tall cylindrical or domed building designed to withstand a moderate missile attack.

A large, 4000-7000 kg barrack buster (WMD), should have no problem destroying the structure and the reactor inside.

PWR containments are typically large (up to 10 times larger than a BWR) because the containment strategy during the leakage design basis accident entails providing adequate volume for the steam/air mixture that results from a loss-of-coolant-accident to expand into, limiting the ultimate pressure (driving force for leakage) reached in the containment building.

Early designs including Siemens, Westinghouse, and Combustion Engineering had a mostly can-like shape built with reinforced concrete. As concrete has a very good compression strength compared to tensile, this is a logical design for the building materials since the extremely heavy top part of containment exerts a large downward force that prevents some tensile stress if containment pressure were to suddenly go up. As reactor designs have evolved, many nearly spherical containment designs for PWRs have also been constructed. Depending on the material used, this is the most apparently logical design because a sphere is the best structure for simply containing a large pressure. Most current PWR designs involve some combination of the two, with a cylindrical lower part and a half-spherical top.

Modern designs have also shifted more towards using steel containment structures. In some cases steel is used to line the inside of the concrete, which contributes strength from both materials in the hypothetical case that containment becomes highly pressurized. Yet other newer designs call for both a steel and concrete containment, notably the AP1000 and the European Pressurized Reactor plan to use both, which gives missile protection by the outer concrete and pressurizing ability by the inner steel structure. The AP1000 has planned vents at the bottom of the concrete structure surrounding the steel structure under the logic that it would help move air over the steel structure and cool containment in the event of a major accident (in a similar way to how a cooling tower works).

If the outward pressure from steam in a limiting accident is the dominant force, containments tend towards a spherical design, whereas if weight of the structure is the dominant force, designs tend towards a can design. Modern designs tend towards a combination. In other words;

"can" shaped containment buildings are much more effectively protected from explosive blasts than spherical designs which is often designed to prevent leakage accidents.

Typical examples are:

- Three Mile Island was an early PWR design by Babcock and Wilcox, and has a "can" containment design that is common to all of its generation
- A more detailed image for the 'can' type containment from the French Brennilis Nuclear Power Plant
- The twin PWR reactor containments at the Cook Nuclear Plant in Michigan
- German plants exhibits a nearly completely spherical containment design, which is very common for German PWRs
- Modern plants have tended towards a design that is not completely cylindrical or spherical, like the Clinton Nuclear Generating Station.

The Russian VVER design is mostly the same as Western PWRs in regards to containment, as it is a PWR itself.

Old RBMK designs, however, did not use containments, which was one of many technical oversights of the Soviet Union that contributed to the Chernobyl accident in 1986.

Boiling water reactors

In a BWR, the containment strategy is a bit different. A BWR's containment consists of a drywell where the reactor and associated cooling equipment is located and a wetwell. The drywell is much smaller than a PWR containment and plays a larger role. During the theoretical leakage design basis accident the reactor coolant flashes to steam in the drywell, pressurizing it rapidly. Vent pipes or tubes from the drywell direct the steam below the water level maintained in the wetwell (also known as a torus or suppression pool), condensing the steam, limiting the pressure ultimately reached. Both the drywell and the wetwell are enclosed by a secondary containment building, maintained at a slight sub-atmospheric or negative pressure during normal operation and refuelling operations. The containment designs are referred to by the names Mark I (oldest; drywell/torus), Mark II, and Mark III (newest). All three types house also use the large body of water in the suppression pools to quench steam released from the reactor system during transients.

From a distance, the BWR design looks very different from PWR designs because usually a square building is used for containment. Also, because there is only one loop through the turbines and reactor, and the steam going through the turbines is also slightly radioactive, the turbine building has to be considerably shielded as well:

This leads to two buildings of similar construction with the taller one housing the reactor and the short long one housing the turbine hall and supporting structures.

Typical examples are:

- A representative one – Kernkraftwerk Krümmel, unit German BWR has containment around both the turbine and reactor buildings
- A typical two-unit BWR at the Brunswick Nuclear Generating Station

CANDU plants

CANDU power stations make use of a wider variety of containment designs and suppression systems than other plant designs. Due to the nature of the core design, the size of containment for the same power rating is often larger than for a typical PWR, but many innovations have reduced this requirement.

Many multiunit CANDU stations utilize a water spray equipped vacuum building. All individual Candu units on site are connected to this Vacuum building by a very large pipe and as a result require a small containment themselves. The Vacuum building rapidly condenses any steam from a postulated break, allowing the unit's pressure to return to subatmospheric conditions. This minimizes any possible fission product release to the environment.

Additionally, there have been similar designs that use double containment, in which containment from two units are connected allowing a larger containment volume in the case of any major incident. This has been pioneered by one Indian HWR design where a double unit and suppression pool was implemented.

The most recent Candu designs, however, call for a single conventional dry containment for each unit.

Typical examples are:

- The Bruce A Generating Station, showing a large vacuum building serving 4 separate units that have a BWR-like shielding around them individually
- The Qinshan Nuclear Power Plant is two-unit site where the containment system is autonomous for each unit
- A single unit of the Pickering Nuclear Generating Station, showing a slightly different shape from a typical PWR containment, which is mostly due to the larger footprint required by the Candu design

Design and testing requirements

Title 10 of the Code of Federal Regulations, Part 50, Appendix A, General Design Criteria (GDC 54-57) or some other design basis provides the basic design criteria for isolation of lines penetrating the containment wall. Each large pipe penetrating the containment, such as the steam lines, has isolation valves on it, configured as allowed by Appendix A; generally two valves. For smaller lines, one on the inside and one on the outside. For large, high-pressure lines, space for relief valves and maintenance considerations cause the designers to install the isolation valves near to where the lines exit containment. In the event of a leak in the high-pressure piping that carries the reactor coolant, these valves rapidly close to prevent radioactivity from escaping the containment. Valves on lines for standby systems penetrating containment are normally closed. The containment isolation valves may also close on a variety of other signals such as the containment high pressure experienced during a high-energy line break (e.g. main steam or feedwater lines). The containment building serves to contain the steam/resultant pressure, but there is typically no radiological consequences associated with such a break at a pressurized water reactor.

During normal operation, the containment is air-tight and access is only through marine style airlocks. High air temperature and radiation from the core limit the time, measured in minutes, people can spend inside containment while the plant is operating at full power. In the event of a worst-case emergency, called a "design basis accident" in NRC regulations, the containment is designed to seal off and contain a meltdown. Redundant systems are installed to prevent a meltdown, but as a matter of policy, one is assumed to occur and thus the requirement for a containment building. For design purposes, the reactor vessel's piping is assumed to be breached, causing a "LOCA" (loss Of coolant accident) where the water in the reactor vessel is released to the atmosphere inside the containment and flashes into steam. The resulting pressure increase inside the containment, which is designed to withstand the pressure, triggers containment sprays ("dousing sprays") to turn on to condense the steam and thus reduce the pressure. A SCRAM ("neutronic trip") initiates very shortly after the break occurs. The safety systems close non-essential lines into the air-tight containment by shutting the isolation valves. Emergency Core Cooling Systems are quickly turned on to cool the fuel and prevent it from melting. The exact sequence of events depends on the reactor design.

Containment buildings in the US are subjected to mandatory testing of the containment and containment isolation provisions under 10 CFR Part 50, Appendix J. Containment Integrated Leakage Rate Tests (Type "A" tests or CILRTs) are performed on a 15 year basis. Local Leakage Rate Tests (Type B or Type C testing, or LLRTs) are performed much more frequently both to identify the possible leakage in an accident and to locate and fix leakage paths. LLRTs are performed on containment isolation valves, hatches and other appurtenances penetrating the containment. A nuclear plant is required by its operating license to prove containment integrity prior to restarting the reactor after each shutdown. The requirement can be met with satisfactory local or integrated test results (or a combination of both when an ILRT is performed).

In 1988, Sandia National Laboratories conducted a test of slamming a jet fighter into a large concrete block at 481 miles per hour (775 km/h). The airplane left only a 2.5-inch deep gouge in the concrete. Although the block was constructed like a containment building missile shield, it was not anchored, etc., the results were considered indicative. A subsequent study by EPRI, the Electric Power Research Institute, concluded that air planes, even commercial airliners did not pose a danger as long as they didn't carry an explosive WMD.

The Turkey Point Nuclear Generating Station was hit directly by Hurricane Andrew in 1992. Turkey Point has two fossil fuel units and two nuclear units. Over \$90 million of damage was done, largely to a water tank and to a smokestack of one of the fossil-fuelled units on-site, but the containment buildings were undamaged.

Reactor Protective System

A Reactor Protective System (RPS) is a set of nuclear safety components in a nuclear power plant designed to safely shutdown the reactor and prevent the release of radioactive materials. The System can "trip" automatically (initiating a Scram), or it can be tripped by the operators. Trips occurs when the parameters meet or exceed the limit setpoint. A trip of the RPS results in full insertion (by gravity in pressurized water reactors or high-speed injection in boiling water reactors) of all control rods and shutdown of the reactor.

There are different RPS system and procedures for 1. Pressurized water reactors and 2 Boiling water reactors (BWR).

There are several RPS systems for the BWR:

1. Emergency Core Cooling System (ECCS)

- High Pressure Coolant Injection System (HPCI)
- Reactor Core Isolation Cooling System (RCIC)
- Automatic Depressurization System (ADS)
- Low Pressure Core Spray System (LPCS)
- Low Pressure Coolant Injection System (LPCI)
- Depressurization Valve System (DPVS)/Passive Containment Cooling System (PCCS)/Gravity Driven Cooling System (GDCS)

2. Standby Liquid Control System (SLCS)

The safety systems in action: the Design Basis Accident

The Design Basis Accident (DBA) for a nuclear power plant is the most severe possible single accident that the designers of the plant and the regulatory authorities could imagine. It is, also, by definition, the accident the safety systems of the reactor are designed to respond to successfully, even if it occurs when the reactor is in its most vulnerable state. The DBA for the BWR consists of the total rupture of a large coolant pipe in the location that is considered to place the reactor in the most danger of harm—specifically, for older BWRs (BWR/1-BWR/6), the DBA consists of a "guillotine break" in the coolant loop of one of the recirculation jet pumps, which is substantially below the core waterline (LBLOCA, large break loss of coolant accident) combined with loss of feedwater to make up for the water boiled in the reactor (LOFW, loss of proper feedwater), combined with a simultaneous collapse of the regional power grid, resulting in a loss of power to certain reactor emergency systems (LOOP, loss of offsite power). The BWR is designed to shrug this accident off without core damage.

The description of this accident is applicable for the BWR/4, which is the oldest model of BWR in common service.

The immediate result of such a break (call it time T+0) would be a pressurized stream of water well above the boiling point shooting out of the broken pipe into the drywell, which is at atmospheric pressure. As this water stream flashes into steam, due to the decrease in pressure and that it is above the water boiling point at normal atmospheric pressure, the pressure sensors within the drywell will report a pressure increase anomaly within it to the Reactor Protection System at latest T+0.3. The RPS will interpret this pressure increase signal, correctly, as the sign of a break in a pipe within the drywell. As a result, the RPS immediately initiates a full SCRAM, closes the Main Steam Isolation Valve (isolating the containment building), trips the turbines, attempts to begin the spinup of RCIC and HPCI, using residual steam, and starts the diesel pumps for LPCI and CS.

Now let us assume that the power outage hits at T+0.5. The RPS is on a float uninterruptable power supply, so it continues to function; its sensors, however, are not, and thus the RPS assumes that they are all detecting emergency conditions. Within less than a second from power outage, auxiliary batteries and compressed air supplies are starting the Emergency Diesel Generators. Power will be restored by T+25 seconds.

Let us return to the reactor core. Due to the closure of the MSIV (complete by T+2), a wave of backpressure will hit the rapidly depressurizing RPV but this is immaterial, as the depressurization due to the recirculation line break is so rapid and complete that no

steam voids will probably flash to water. HPCI and RCIC will fail due to loss of steam pressure in the general depressurization, but this is again immaterial, as the 2,000 L/min (600 US gal/min) flow rate of RCIC available after T+5 is insufficient to maintain the water level; nor would the 19,000 L/min (5,000 US gal/min) flow of HPCI, available at T+10, be enough to maintain the water level, if it could work without steam. At T+10, the temperature of the reactor core, at approximately 285 °C (550 °F) at and before this point, begins to rise as enough coolant has been lost from the core that voids begin to form in the coolant between the fuel rods and they begin to heat rapidly. By T+12 seconds from the accident start, fuel rod uncover begins. At approximately T+18 areas in the rods have reached 540 °C (1000 °F). Some relief comes at T+20 or so, as the negative temperature coefficient and the negative void coefficient slows the rate of temperature increase. T+25 sees power restored; however, LPCI and CS will not be online until T+40.

At T+40, core temperature is at 650 °C (1200 °F) and rising steadily; CS and LPCI kick in and begins deluging the steam above the core, and then the core itself. First, a large amount of steam still trapped above and within the core has to be knocked down first, or the water will be flashed to steam prior to it hitting the rods. This happens after a few seconds, as the approximately 200,000 L/min (3,300 L/s, 52,500 US gal/min, 875 US gal/s) of water these systems release begin to cool first the top of the core, with LPCI deluging the fuel rods, and CS suppressing the generated steam until at approximately T+100 seconds, all of the fuel is now subject to deluge and the last remaining hot-spots at the bottom of the core are now being cooled. The peak temperature that was attained was 900 °C (1650 °F) (well below the maximum of 1200 °C (2200 °F) established by the NRC) at the bottom of the core, which was the last hot spot to be affected by the water deluge.

The core is cooled rapidly and completely, and following cooling to a reasonable temperature, below that consistent with the generation of steam, CS is shut down and LPCI is decreased in volume to a level consistent with maintenance of a steady-state temperature among the fuel rods, which will drop over a period of days due to the decrease in fission-product decay heat within the core.

After a few days of LPCI, decay heat will have sufficiently abated to the point that defueling of the reactor is able to commence with a degree of caution. Following defueling, LPCI can be shut down. A long period of physical repairs will be necessary to repair the broken recirculation loop; overhaul the ECCS; diesel pumps; and diesel generators; drain the drywell; fully inspect all reactor systems, bring non-conformal systems up to spec, replace old and worn parts, etc. At the same time, different personnel from the licensee working hand in hand with the NRC will evaluate what the immediate cause of the break was; search for what event led to the immediate cause of the break (the root causes of the accident); and then to analyze the root causes and take corrective actions based on the root causes and immediate causes discovered. This is followed by a period to generally reflect and post-mortem the accident, discuss what procedures worked, what procedures didn't, and if it all happened again, what could have been done better, and what could be done to ensure it doesn't happen again; and to record lessons learned to propagate them to other BWR licensees. When this is accomplished, the reactor can be refueled, resume operations, and begin producing power once more.

The ABWR and ESBWR, the most recent models of the BWR, are not vulnerable to anything like this incident in the first place, as they have no liquid penetrations (pipes) lower than several feet above the waterline of the core, and thus, the reactor pressure vessel holds in water much like a deep swimming pool in the event of a feedwater line break or a steam line break. The BWR 5s and 6s have additional tolerance, deeper water levels, and much faster emergency system reaction times. Fuel rod uncover will briefly

take place, but maximum temperature will only reach 600 °C (1,100 °F), far below the NRC safety limit.

It must be noted that no incident even approaching the DBA or even a LBLOCA in severity has ever occurred with a BWR. There have been minor incidents involving the ECCS, but in these circumstances it has performed at or beyond expectations. The most severe incident that ever occurred with a BWR was in 1975 due to a fire caused by extremely flammable urethane foam installed in the place of fireproofing materials at the Browns Ferry Nuclear Power Plant; for a short time, the control room's monitoring equipment was cut off from the reactor, but the reactor shut down successfully, and, as of 2009, is still producing power for the Tennessee Valley Authority, having sustained no damage to systems within the containment. The fire had nothing to do with the design of the BWR - it could have occurred in any power plant, and the lessons learned from that incident resulted in the creation of a separate backup control station, compartmentalization of the power plant into fire zones and clearly documented sets of equipment which would be available to shut down the reactor plant and maintain it in a safe condition in the event of a worst case fire in any one fire zone. These changes were retrofitted into every existing US and most Western nuclear power plants and built in to new plants from that point forth.

Further studies

I have not been able to research all aspects regarding what potential effects the activation of the Reactor Protective System will have in case of an attack, a single source blast destroying the reactor.

What will happen if the plant workers manage to activate the RPS system and successfully shut the reactor down before it is destroyed? Will it severely hinder the potential damage caused (leakage)? What is the effect of a blast that destroys an on-line reactor vs. an off-line reactor?

See more information about various nuclear reactors:

http://en.wikipedia.org/wiki/Nuclear_reactor
http://en.wikipedia.org/wiki/Containment_building
http://en.wikipedia.org/wiki/Boiling_water_reactor

Consequences of a nuclear power plant assault

Radioactive contamination

Radioactive contamination, also called radiological contamination, is the uncontrolled distribution of radioactive material in a given environment.

Surface contamination

Surface contamination is usually expressed in units of radioactivity per unit of area. For SI, this is becquerels per square meter (or Bq/m²). Surface contamination may either be fixed or removable. In the case of fixed contamination, the radioactive material cannot by definition be spread, but it is still measurable.

In practice there is no such thing as zero radioactivity. Not only is the entire world constantly bombarded by cosmic rays, but every living creature on earth contains significant quantities of carbon-14 and most (including humans) contain significant quantities of potassium-40. These tiny levels of radiation are not any more harmful than sunlight, but just as excessive quantities of sunlight can be dangerous, so too can excessive levels of radiation.

Low level contamination

The hazards to people and the environment from radioactive contamination depend on the nature of the radioactive contaminant, the level of contamination, and the extent of the spread of contamination. Low levels of radioactive contamination pose little risk, but can still be detected by radiation instrumentation. In the case of low-level contamination by isotopes with a short half-life, the best course of action may be to simply allow the material to naturally decay. Longer-lived isotopes should be cleaned up and properly disposed of, because even a very low level of radiation can be life-threatening when in long exposure to it.

High level contamination

High levels of contamination may pose major risks to people and the environment. People can be exposed to potentially lethal radiation levels, both externally and internally, from the spread of contamination following an accident (or a deliberate initiation) involving large quantities of radioactive material.

Radioactive iodine is a common fission product; it was a major component of the radiation released from the Chernobyl disaster, leading to nine fatal cases of pediatric thyroid cancer and hypothyroidism.

Ionizing radiation

The biological effects of radiation are thought of in terms of their effects on living cells. For low levels of radiation, the biological effects are so small they may not be detected in epidemiological studies. The body repairs many types of radiation and chemical damage. Biological effects of radiation on living cells may result in a variety of outcomes, including:

- Cells experience DNA damage and are able to detect and repair the damage.
- Cells experience DNA damage and are unable to repair the damage. These cells may go through the process of programmed cell death, or apoptosis, thus eliminating the potential genetic damage from the larger tissue.
- Cells experience a nonlethal DNA mutation that is passed on to subsequent cell divisions. This mutation may contribute to the formation of a cancer.
- Cells experience "Irreparable DNA Damage." Low level ionizing radiation may induce "Irreparable DNA damage" (leading to replicational and transcriptional errors needed for neoplasia or may trigger viral interactions) leading to pre-mature aging and cancer.

Understanding radiation

Radioactive decay/half life

It is estimated that 90% of the current exclusion zone can be utilized again within 200 years due to the constant radioactive decay. Radioactive decay is the process in which an unstable atomic nucleus spontaneously loses energy by emitting ionizing particles and radiation. This decay, or loss of energy, results in an atom of one type, called the *parent nuclide* transforming to an atom of a different type, named the *daughter nuclide*. For example: a carbon-14 atom (the "parent") emits radiation and transforms to a nitrogen-14 atom (the "daughter"). This is a stochastic process on the atomic level, in that it is impossible to predict when a given atom will decay, but given a large number of similar atoms the decay rate, on average, is predictable.

A more commonly used parameter is the half-life. Given a sample of a particular radionuclide, the half-life is the time taken for half the radionuclide's atoms to decay.

Means of contamination

Radioactive contamination can enter the body through ingestion, inhalation, absorption, or injection. For this reason, it is important to use personal protective equipment when working with radioactive materials. Radioactive contamination may also be ingested as the result of eating contaminated plants and animals or drinking contaminated water or milk from exposed animals. Following a major contamination incident, all potential pathways of internal exposure should be considered.

Long term effects - radiation levels

Ionizing radiation includes both particle radiation and high energy electromagnetic radiation.

The associations between ionizing radiation exposure and the development of cancer are mostly based on populations exposed to relatively high levels of ionizing radiation, such as Japanese atomic bomb survivors, and recipients of selected diagnostic or therapeutic medical procedures.

Cancers associated with high dose exposure include leukemia, thyroid, breast, bladder, colon, liver, lung, esophagus, ovarian, multiple myeloma, and stomach cancers.

It is also suggested a possible association between ionizing radiation exposure and prostate, nasal cavity/sinuses, pharyngeal and laryngeal, and pancreatic cancer.

The period of time between radiation exposure and the detection of cancer is known as the latent period. Those cancers that may develop as a result of radiation exposure are indistinguishable from those that occur naturally or as a result of exposure to other chemical carcinogens.

Although radiation may cause cancer at high doses and high dose rates, public health data regarding lower levels of exposure, below about 1,000 mrem (10 mSv), are harder to interpret. To assess the health impacts of lower radiation doses, researchers rely on models of the process by which radiation causes cancer; several models have emerged which predict differing levels of risk.

Limiting exposure

There are four standard ways to limit exposure:

Time: For people who are exposed to radiation in addition to natural background radiation, limiting or minimizing the exposure time will reduce the dose from the radiation source.

Distance: Radiation intensity decreases sharply with distance, according to an inverse square law. Air attenuates alpha and beta radiation.

Shielding: Barriers of lead, concrete, or water give effective protection from radiation formed of energetic particles such as gamma rays and neutrons. Some radioactive materials are stored or handled underwater or by remote control in rooms constructed of thick concrete or lined with lead. There are special plastic shields which stop beta particles and air will stop alpha particles. The effectiveness of a material in shielding radiation is determined by its half value thicknesses, the thickness of material that reduces the radiation by half. This value is a function of the material itself and the energy and type of ionizing radiation.

Containment: Radioactive materials are confined in the smallest possible space and kept out of the environment. Radioactive isotopes for medical use, for example, are dispensed in closed handling facilities, while nuclear reactors operate within closed systems with multiple barriers which keep the radioactive materials contained. Rooms have a reduced air pressure so that any leaks occur into the room and not out of it.

In a nuclear war, an effective fallout shelter reduces human exposure at least 1,000 times. Other civil defence measures can help reduce exposure of populations by reducing ingestion of isotopes and occupational exposure during war time. One of these available measures could be the use of potassium iodide (KI) tablets which effectively block the uptake of radioactive iodine into the human thyroid gland.

The Chernobyl attack (accident)

Two widely studied instances of large-scale exposure to high doses of ionizing radiation are: atomic bomb survivors in 1945; and emergency workers responding to the 1986 Chernobyl attack.

Longer term effects of the Chernobyl attack have also been studied. There is a clear link (see the UNSCEAR 2000 Report, Volume 2: Effects) between the Chernobyl attack and the unusually large number, approximately 1,800, of thyroid cancers reported in contaminated areas, mostly in children. These were fatal in some cases. Other health effects of the Chernobyl attack are subject to current debate.

The attack resulted in a severe release of radioactivity following a massive power excursion that destroyed the reactor. Most fatalities from the attack were caused by radiation poisoning.

Further explosions and the resulting fire sent a plume of highly radioactive fallout into the atmosphere and over an extensive geographical area, including the nearby town of Pripyat. Four hundred times more fallout was released than had been by the atomic bombing of Hiroshima.

The plume drifted over large parts of the western Soviet Union, Eastern Europe, Western Europe, and Northern Europe. Rain contaminated with radioactive material fell as far away as Ireland. Large areas in Ukraine, Belarus, and Russia were badly contaminated, resulting in the evacuation and resettlement of over 336,000 people. According to official post-Soviet data, about 60% of the radioactive fallout landed in Belarus.

The countries of Russia, Ukraine, and Belarus have been burdened with the continuing and substantial decontamination and health care costs of the Chernobyl accident. It is difficult to accurately quantify the number of deaths caused by the events at Chernobyl, as over time it becomes harder to determine whether a death has been caused by exposure to radiation.

The attack

On 26 April 1986 at 1:23 a.m., reactor 4 suffered a massive, catastrophic power excursion due to "human error". This caused a steam explosion, followed by a second (chemical, not nuclear) explosion from the ignition of generated hydrogen mixed with air, which tore the top from the reactor and its building and exposed the reactor core. This dispersed large amounts of radioactive particulate and gaseous debris containing fission products including cesium-137, strontium-90, and other highly radioactive reactor waste products. The open core also allowed atmospheric oxygen to contact the super-hot core containing 1,700 tonnes of combustible graphite moderator. The burning graphite moderator increased the emission of radioactive particles, carried by the smoke. The reactor was not contained by any kind of hard containment vessel (unlike all Western plants, Soviet reactors often did not have them). Radioactive particles were carried by wind across international borders.

Slow evacuation

The nearby city of Pripyat wasn't fully evacuated until a week after the disaster.

Only after radiation levels set off alarms at the Forsmark Nuclear Power Plant in Sweden did the Soviet Union admit that an attack had occurred, but authorities attempted to conceal the scale of the disaster. To evacuate the city of Pripyat, the following warning message was reported on local radio: "An accident has occurred at the Chernobyl Nuclear Power Plant. One of the atomic reactors has been damaged. Aid will be given to those affected and a committee of government inquiry has been set up." This message gave the false impression that any damage or radiation was localized.

Exclusion zone

There is a 30 km Exclusion Zone around Chernobyl where officially nobody is allowed to live, but people do.

It is estimated that the land can be utilized for industrial purpose within 60 – 100 years and it can eventually be utilized for farming or any other type of agricultural industry within 200 years.

The Exclusion Zone is now so lush with wildlife and greenery that the Ukrainian government designated it a wildlife sanctuary in 2007, and at 488.7 km² it is one of the largest wildlife sanctuaries in Europe.

According to a 2005 U.N. report, wildlife has returned despite radiation levels that are presently 10 to 100 times higher than normal background radiation. Although they were significantly higher soon after the attack, the levels have fallen because of radioactive decay.

http://en.wikipedia.org/wiki/Chernobyl_accident

Target countries with operational reactors

Austria

Construction on the Zwentendorf Nuclear plant finished in 1978, however a referendum was passed that did not allow startup. Nuclear power is illegal.

Belguim

Power station reactors

- Nuclear Plant Doel - 4x PWR reactors, total power of 2839 MWe
- Nuclear Plant Tihange - 3x PWR reactors, total power of 2985 MWe

The Doel Nuclear Power Station is one of the two nuclear power plants in Belgium. The plant lies on the bank of the Scheldt, near the village of Doel in the Flemish province of East Flanders. The Belgian energy corporation Electrabel is the plant's largest stakeholder. The plant employs 800 workers and covers an area of 80 hectares.

The plant consists of four second-generation pressurised water reactors with a total capacity of 2839 MWe, making it the second largest nuclear power plant in Belgium, after Nuclear Plant Tihange. Its four units are rated as follows:

- Doel 1 : 392 MWe
- Doel 2 : 433 MWe
- Doel 3 : 1006 MWe
- Doel 4 : 1008 MWe

The Tihange Nuclear Power Station, along with Doel Nuclear Power Station, is one of the two large-scale nuclear power plants in Belgium. It is located on the right bank of the Meuse River in the Belgian deelgemeente of Tihange, part of Huy municipality in the Walloonian province of Liège. The primary stakeholder in the plant is the Belgian energy company Electrabel.

The plant has three pressurised water reactors, with a total capacity of 2985 MWe and makes up 52% of the total Belgian nuclear generating capacity.[1] Its units are rated as follows:

- Tihange 1: 962 MWe
- Tihange 2: 1008 MWe
- Tihange 3: 1015 MWe

Research Reactors

- Mol (BR-1) - Research reactor
- Mol (BR-2) - Research reactor
- Mol (BR-3) - PWR reactor (shut down)

Denmark

Research Reactors

- Risø - DR-3 DIDO class experimental reactor (shut down permanently in 2000)
- Risø - DR-2 experimental reactor (shut down in 1975)
- Risø - DR-1 experimental reactor (shut down permanently in 2001)

Finland

Power station reactors

- Loviisa Nuclear Power Plant - 2 × 488 MWe - VVER reactors
- Olkiluoto Nuclear Power Plant - 2 × 860 MWe - BWR reactors, under construction: 1 × 1650 MWe - EPR (expected in 2012)

Research reactor:

- Espoo - TRIGA Mark II, State Institute for Technical Research (installed 1962)

Total 4 currently operating commercial reactors, further one under construction: the first European Pressurised Reactor facility at Olkiluoto,

France

Power station reactors

- Belleville Nuclear Power Plant - 2 1310 MWe PWR reactors
- Blayais Nuclear Power Plant - 4 910 MWe PWR reactors
- Bugey Nuclear Power Plant - 4 PWR reactors: 2 at 910 MWe, 2 at 880 MWe
- Cattenom Nuclear Power Plant - 4 1300 MWe PWR reactors
- Chinon Nuclear Power Plant - 4 905 MWe PWR reactors
- Chooz Nuclear Power Plant - 2 1500 MWe PWR reactors
- Civaux Nuclear Power Plant - 2 1495 MWe PWR reactors
- Cruas Nuclear Power Plant - 4 reactors: 2 at 880 MWe, 2 at 915 MWe

- Dampierre Nuclear Power Plant - 4 890 MWe PWR reactors
- Fessenheim Nuclear Power Plant - 2 880 MWe PWR reactors - oldest operating commercial PWR reactors in France
- Flamanville Nuclear Power Plant - 2 1330 MWe PWR reactors
- Golfech Nuclear Power Plant - 2 1310 MWe PWR reactors
- Gravelines Nuclear Power Plant - 6 910 MWe PWR reactors
- Nogent Nuclear Power Plant - 2 1310 MWe PWR reactors
- Paluel Nuclear Power Plant - 4 1330 MWe PWR reactors
- Penly Nuclear Power Plant - 2 1330 MWe PWR reactors
- Phénix Nuclear Power Plant - 1 233 MWe FBR reactor
- Saint-Alban Nuclear Power Plant - 2 1335 MWe PWR reactors
- Saint-Laurent Nuclear Power Plant - 2 PWR reactors: 1 at 880 MWe, 1 at 915 MWe
- Tricastin Nuclear Power Center - 4 915 MWe PWR reactors

Under construction - 1 total

- Flamanville - 1 1630 MWe PWR reactor - EDF is building the second EPR reactor there.

Under planning - 1 total

- Penly - 1 1630 MWe PWR reactor - EDF is planning a EPR reactor there.

Decommissioned Power Reactors - 12 total

- Bugey - 1 540 MWe GCR reactor
- Chinon - 3 GCR reactors
- Chooz-A - 1 310 MWe PWR reactor - reactor managed by SENA (Société d'énergie nucléaire franco-belge des Ardennes).
- Marcoule - 3 38 MWe GCR reactors
- Brennilis - 1 70 MWe reactor - EL-49, heavy water reactor, only one of its kind in France, in Brittany
- Saint Laurent des Eaux - 2 GCR reactors
- Superphénix, Creys-Malville - 1 1200 MWe FBR reactor

Cancelled

- Le Carnet
- Plogoff
- Thermos, a 50-100 MW reactor for the urban heating of Grenoble

Research reactors

- Institut Laue-Langevin, currently the world's most intense reactor source of neutrons for science
- Rhapsodie
- Zoe, first French reactor (1948)

Germany

Power station reactors

- Biblis Nuclear Power Plant - Biblis-A and Biblis-B
- Brokdorf Nuclear Power Plant
- Brunsbüttel Nuclear Power Plant
- Emsland Nuclear Power Plant
- Grafenrheinfeld Nuclear Power Plant
- Grohnde Nuclear Power Plant
- Gundremmingen Nuclear Power Plant - Gundremmingen-B and Grundremmingen-C, A is defunct

- Nuclear Power Plant Landshut Isar I + Isar II
- Krümmel Nuclear Power Plant
- Neckarwestheim Nuclear Power Plant
- Philippsburg Nuclear Power Plant Block A and Block B
- Unterweser Nuclear Power Plant

Research Reactors

- BER II (Berliner-Experimentier-Reaktor II, Hahn-Meitner-Institut Berlin; rating: 10 MW, commissioned 1990)
- FRG-1 (GKSS Research Center Geesthacht; rating: 5 MW, commissioned 1958)
- FRM II (Technische Universität München; Leistung: 20 MW, commissioned 2004)
- FRMZ (TRIGA of the University of Mainz, institute of nuclear chemistry; continuous rating: 0.10 MW, pulse rating for 30ms: 250 MW; commissioned 1965)

Shut Down

- Research nuclear plants in Jülich and Karlsruhe
- Greifswald Nuclear Power Plant located in the former GDR. Shut down in 1990 (Greifswald-1 to Greifswald-4, and the unfinished Greifswald-5 reactor), Type: WWER-440
- Gundremmingen-A (shut down 1977)
- Hamm-Uentrop, THTR 300, shut down in 1988
- Lingen, shut down in 1977
- Mülheim-Kärlich Nuclear Power Plant, completed, operated briefly and then shut down in 1988 because of potential hazards
- Niederaichbach, shut down in 1974
- Obrigheim, shut down in May 2005
- Rheinsberg, shut down in 1990, Type: WWER-70
- Stade, shut down in 2003
- Würzgassen, shut down in 1994
- Kalkar, never finished
- Wylh, famous planned nuclear plant that was never built because of long-time resistance by the local population and environmentalists.
- Kahl Nuclear Power Plant

Greece

GRR-1 - 5 MW research reactor at Demokritos National Centre for Scientific Research, Athens. The reactor was upgraded a few years ago to 10 MW.

Italy

Phased out nuclear power after Chernobyl; no reactors operating right now, but considering 10 new reactors

Power station reactors (phased out)

- Garigliano - BWR, 1 unit of 150 MWe, 1964-1982.
- Latina - Magnox, 1 unit of 160 MWe, 1963-1987.
- Caorso - BWR shut down following Italian referendum on nuclear power.
- Trino Vercellese - shut down following Italian referendum on nuclear power.
- Alto Lazio - 1964-1982.

Research reactors

- Pavia - TRIGA Mark II, University of Pavia Mark II (installed 1965)
- Rome - TRIGA Mark II, ENEA Casaccia Research Center (installed 1960)

Netherlands

Power station reactors

- Borssele nuclear power plant - 481 MWe PWR
- Dodewaard nuclear power plant - 58 MWe BWR (shut down 1997)

Research reactors

- Delft, Reactor Institute Delft, part of the Delft University of Technology
- Petten nuclear reactor in Petten
- Biologische Agrarische Reactor Nederland, part of the Wageningen University, shutdown in 1980
- Athena, at the Eindhoven University of Technology, shut down
- Kema Suspensie Test Reactor, test reactor at KEMA, Arnhem, disassembled

Norway

Research reactors

- Kjeller reactors
 - o NORA (activated 1961, shut down 1967)
 - o JEEP I (activated 1951, shut down 1967)
 - o JEEP II (activated 1966)
- Halden reactor
 - o HBWR - Halden boiling water reactor (activated 1959)

Portugal

- Portuguese Research Reactor - 1 MWt pool type, Instituto Tecnológico e Nuclear

Spain

Power station reactors

- Almaraz Nuclear Power Plant
 - o Almaraz-1 - 1032 MWe
 - o Almaraz-2 - 1027 MWe
- Ascó Nuclear Power Plant
 - o Ascó-1 - 930 MWe
 - o Ascó-2 - 930 MWe
- Central nuclear José Cabrera (Zorita) (shut down 04-30-2006)
- Cofrentes Nuclear Power Plant - 994 MWe
- Santa María de Garoña Nuclear Power Plant - 460 MWe
- Trillo Nuclear Power Plant - 1.066 MWe
- Vandellòs Nuclear Power Plant Tarragona
 - o Vandellòs-1 UNGG (shut down after fire, 1989)
 - o Vandellòs-2 - 1080 MWe PWR

Research reactors

- Argos 10 kW Argonaut reactor - Polytechnic University of Catalonia, Barcelona (shut down 1992)
- CORAL-I reactor

Sweden

Power station reactors

- Forsmark Nuclear Power Plant (operational)
- Ringhals Nuclear Power Plant (operational)
- Oskarshamn Nuclear Power Plant (operational)
- Barsebäck Nuclear Power Plant (shut down)

Power station reactors

Power Station	Type	Net MWe	Est closure
Barsebäck 1	BWR	630	Shut down
Barsebäck 2	BWR	630	Shut down
Forsmark 1	BWR	1018	Operational
Forsmark 2	BWR	960	Operational
Forsmark 3	BWR	1230	Operational
Oskarshamn 1	BWR	500	Operational
Oskarshamn 2	BWR	630	Operational
Oskarshamn 3	BWR	1200	Operational
Ringhals 1	BWR	860	Operational
Ringhals 2	BWR	870	Operational
Ringhals 3	BWR	920	Operational
Ringhals 4	BWR	910	Operational

Research reactors

R1, KTH, Stockholm – Research - 1 MW - 1954–1970 - dismantled
 R2, Studsvik - Research - 50 MW - 1960–2005 - shut down
 R2-0, Studsvik – Research - 1 MW - 1960–2005 - shut down
 Ågestaverket (R3), Farsta, Sthl - Heating - 80 MW - 1963–1973 - shut down
 Marviken (R4), Marviken, Norrköping Research, abandoned in 1970
 FR-0, Studsvik, Research, zero-power fast reactor low - 1964–1971 - dismantled

Sweden has ten commercial reactors at three different locations (Forsmark, Ringhals and Oskarshamn). There are no longer any plans to phase out nuclear power in Sweden. The current centre-right government wants to make it possible to replace the current reactors in the future. If the leftwing parties win the elections in September 2010, it will however not accept new reactors replacing the current ones, but the reactors will not shut down either.

The ten reactors produce about 45% of the country's electricity. The nation's largest power station, Ringhals Nuclear Power Plant, has four reactors and generates about a fifth of Sweden's annual electricity consumption.

Sweden used to have a nuclear phase-out policy, aiming to end nuclear power generation in Sweden by 2010. On 5 February 2009, the Swedish Government announced an agreement allowing for the replacement of existing reactors, effectively ending the phase-out policy.

Switzerland

Power station reactors

- Beznau Nuclear Power Plant - 2 identical PWR power reactors. Commissioned in 1969 and 1970.
- Goesgen Nuclear Power Plant - PWR power reactor, commissioned 1979.
- Leibstadt Nuclear Power Plant - BWR power reactor, commissioned 1984.
- Mühleberg Nuclear Power Plant - BWR power reactor, commissioned 1970.

Research reactors

- SAPHIR - Pool reactor. First criticality: April 30, 1957. Shut down: End of 1993. Paul Scherrer Institut
- DIORIT - HW cooled and moderated. First criticality: April 15, 1960. Shut down: 1977. Paul Scherrer Institut
- Proteus - Null-power reconfigurable reactor (graphite moderator/reflector). In operation. Paul Scherrer Institut
- Lucens - Prototype power reactor (GCHWR) 30 MWth/6 MWe. Shut down in 1969 after accident. Site decommissioned.
- CROCUS - Null-power light water reactor. In operation. École polytechnique fédérale de Lausanne

United Kingdom

Nuclear Power in the United Kingdom generates a fifth of the country's electricity (19.26% in 2004). The Nuclear Installations Inspectorate oversee all nuclear power installations and, as of 2006, the United Kingdom operates 24 nuclear reactors. The country also uses nuclear reprocessing plants, such as Sellafield.

A number of stations have been closed, and others are scheduled to follow. The two remaining Magnox nuclear stations and four of the seven AGR nuclear stations are currently planned to be closed by 2015. This is a cause behind the UK's forecast 'energy gap', though secondary to the reduction in coal generating capacity. However the oldest AGR nuclear power station was recently life-extended by ten years, and it is likely many of the others can be life-extended, significantly reducing the energy gap.

All UK nuclear installations in the UK are overseen by the Nuclear Installations Inspectorate.

Although the Government of the United Kingdom has recently given the go-ahead for a new generation of nuclear power stations to be built, the Scottish Government, with the backing of the Scottish Parliament, has made clear that Scotland will have no new nuclear power stations and is aiming instead for a non-nuclear future. As of 2007, there have been some significant developments towards nuclear fusion being implemented to solve the predicted energy crisis, most significantly and recently the drawing-up of plans to build one fusion power station, that will 'supply power to the National Grid within 20 years.' The JET facility at Culham, Oxfordshire indicates that Britain has both the industry and workforce for nuclear fusion.

In January 2009, British Energy was bought for approximately £12 billion by EDF Energy (a subsidiary of Electricite de France (EdF) SA)

Operating nuclear power stations

Power Station	Type	Net MWe	Est closure
Oldbury	Magnox	434	2010
Wylfa	Magnox	980	2012
Dungeness B	AGR	1110	2018
Hinkley Point B	AGR	1220	2016
Hunterston B	AGR	1190	2016
Hartlepool	AGR	1210	2014
Heysham 1	AGR	1150	2014
Heysham 2	AGR	1250	2023
Torness	AGR	1250	2023
Sizewell B	PWR	1188	2035

Since 2006 Hinkley Point B and Hunterston B have been restricted to about 70% of normal MWe output because of boiler-related problems requiring that they operate at reduced boiler temperatures. This output restriction is likely to remain until closure.

Non-operating nuclear power stations

Power Station	Type	Net MWe	Est closure
Oldbury	Magnox	200	2003
Wylfa	Magnox	240	2004
Dungeness B	Magnox	300	1990
Hinkley Point B	Magnox	276	1989
Hunterston B	Magnox	246	2002
Hartlepool	Magnox	470	2000
Heysham 1	Magnox	390	1991
Heysham 2	Magnox	450	2006
Torness	Magnox	420	2006

A number of research and development reactors also produced some power for the grid, including two Winfrith reactors, two Dounreay fast reactors, and the prototype Windscale Advanced Gas Cooled Reactor.

Power station reactors

- Berkeley, Gloucestershire 2 x 276MW, de-commissioned
- Bradwell, Essex (Generation ceased in 2002, defuelled by September 2005)
- Calder Hall, Sellafield, Cumbria - 4 x 50MWe (Generation started in 1956 and ceased in 2003)
- Chapelcross, Dumfries and Galloway - 4 x 180MW(th) (Generation ceased in June 2004)
- Dungeness A, Kent 2 x 223MW. BNG owned Magnox station (Entered decommissioning January 2007)
- Dungeness B, Kent 2 x 550 MW(e). British Energy owned AGR
- Hartlepool, Hartlepool 2 x 600MW(e). British Energy owned AGR
- Heysham nuclear power stations, Lancashire - 4 x 600 MW(e)
- Hinkley Point A, Somerset (Ceased operations in 2000, defuelled by September 2005)
- Hinkley Point B, Somerset 2 x 570MW(e). British Energy owned AGR
- Hunterston A, North Ayrshire (Generation ceased 1990)
- Hunterston B, North Ayrshire 2 x 570 MW(e) British Energy owned AGR
- Oldbury, Gloucestershire - 2 x 435MW. (Generation due to cease July 2011 or when Cumulative Mean Core Irradiation reaches 31.5 MWd/te (R1) and 32.7 MWd/te (R2))
- Sizewell A, Suffolk BNFL owned Magnox station (Entered decommissioning January 2007)
- Sizewell B, Suffolk 1 x 1195MWe. British Energy PWR
- Torness, East Lothian 2 x 625 MW(e). British Energy owned AGR
- Trawsfynydd, Gwynedd BNG owned Magnox station (Generation ceased 1991)
- Winfrith, Dorchester, Dorset – SGHWR (ceased operation in 1990)

- Wylfa, Anglesey - 2 x 490MW magnox reactors. (Generation due to cease at end of 2010)

Research reactors

- Aldermaston - VIPER - Atomic Weapons Establishment
- Ascot - CONSORT reactor, Imperial College London, Silwood Park campus
- Billingham - TRIGA Mark I reactor, ICI refinery (installed 1971, shut down 1988)
- Culham - JET fusion reactor
- Derby - Neptune - Rolls-Royce Marine Power Operations Ltd, Raynesway
- Dounreay
 - o VULCAN (Rolls-Royce Naval Marine)
 - o PWR2 (Rolls-Royce Naval Marine)
 - o DMTR
 - o Dounreay Fast Reactor - Fast breeder reactor (shut down 1994)
 - o Prototype fast reactor
- East Kilbride - Scottish Universities Research and Reactor Centre (deactivated 1995, fully dismantled 2003)
- Harwell AERE
 - o GLEEP (shut down 1990)
 - o BEPO (shut down 1968)
 - o LIDO (shut down 1974)
 - o DIDO (shut down 1990)
 - o PLUTO (shut down 1990)
- London
 - o Greenwich - JASON PWR reactor (dismantled 1999)
 - o Stratford Marsh - Queen Mary, University of London (fully dismantled)
- Risley - Universities Research Reactor (shut down 1991 decommissioned-land released 1996)
- Sellafield (named Windscale until 1971)
 - o PILE 1 (shut down 1957 after Windscale fire)
 - o PILE 2 (shut down 1957)
 - o WAGR (shut down 1982)
- Winfrith - Dorchester, Dorset, 9 reactors, shut down 1990, including
 - o Dragon reactor

10 new nuclear sites

In November 2009, the Government has identified ten nuclear sites which could accommodate future reactors

- Bradwell in Essex
- Braystones
- Kirksanton
- Sellafield in Cumbria
- Hartlepool
- Heysham in Lancashire
- Hinkley Point in Somerset
- Oldbury in Gloucestershire

- Sizewell in Suffolk
- Wylfa in North Wales. (However, the Welsh Assembly Government remains opposed to new nuclear plants in Wales despite the approval of Wylfa as a potential site)

Most of these sites already have a station, the only new sites are Braystones and Kirksanton.

3.59 Radiological Dispersal Devices, RDDs; creating, deploying and detonating radiological bombs in Western European capitals

The term radiological bomb (dirty bomb) refers to a radiological weapon which combines radioactive material with conventional explosives. Though a radiological dispersal device (RDD) would be designed to disperse radioactive material over a large area, a bomb that uses conventional explosives would likely have more immediate lethal effect than the radioactive material. At levels created from most probable sources, not enough radiation would be present to cause severe illness or death. A test explosion and subsequent calculations done by the United States Department of Energy found that assuming nothing is done to clean up the affected area and everyone stays in the affected area for one year, the radiation exposure would be "fairly high", but not fatal. Recent analysis of the Chernobyl disaster fallout confirms this, showing that the effect on many people in the surrounding area, although not those in close proximity, was almost negligible.

Since a dirty bomb is unlikely to cause many deaths, many do not consider this to be a weapon of mass destruction. Its purpose would be to create psychological, not physical, harm through mass panic, and terror. For this reason dirty bombs are sometimes called "weapons of mass disruption". Additionally, containment and decontamination of thousands of victims, as well as decontamination of the affected area will require considerable time and expense, rendering areas partly unusable and causing devastating economic damage.

The term has also been used historically to refer to certain types of nuclear weapons. Due to the inefficiency of early nuclear weapons, only a small amount of the nuclear material would be consumed during the explosion. "Little Boy" had an efficiency of only 1.4%. "Fat Man", which used a different design and a different fissile material, had an efficiency of 14%. Thus, they tended to disperse large amounts of unused fissile material, and the fission products, which are on average much more dangerous, in the form of nuclear fallout. During the 1950s, there was considerable debate over whether "clean" bombs could be produced and these were often contrasted with "dirty" bombs. "Clean" bombs were often a stated goal and scientists and administrators said that high-efficiency nuclear weapon design could create explosions which generated almost all of their energy in the form of nuclear fusion, which does not create harmful fission products.

But the Castle Bravo accident of 1954, in which a thermonuclear weapon produced a large amount of fallout which was dispersed among human populations, suggested that this was not what was actually being used in modern thermonuclear weapons, which derive around half of their yield from a final fission stage. While some proposed producing "clean" weapons, other theorists noted that one could make a nuclear weapon intentionally "dirty" by "salting" it with a material, which would generate large amounts

of long-lasting fallout when irradiated by the weapon core. These are known as salted bombs; a specific subtype often noted is a "cobalt bomb".

Practical use in history

There have only ever been two cases of caesium-containing bombs, and neither was detonated. Both involved the global Jihad against Russia. The first attempt of radiological terror was carried out in November 1995 by a group of Chechen Jihadists, who buried a caesium-137 source wrapped in explosives at the Izmaylovsky Park in Moscow. A Chechen rebel leader alerted the media, the bomb was never activated, and the incident amounted to a mere publicity stunt. In December 1998, a second attempt was announced by the Chechen Security Service, who discovered a container filled with radioactive materials attached to an explosive mine.

There have been several other cases where a few organizations including al-Qaeda planned to detonate a radiological bomb in the US. In 2002, an al-Qaeda cell operative; José Padilla aka. Abdulla al-Muhajir, was arrested after his cell commander, Abu Zubaydah, revealed sensitive information during interrogation. He revealed that his cell was close to constructing a radiological bomb. Although Padilla had not obtained radioactive material or explosives at the time of arrest, law enforcement authorities uncovered evidence that he was on reconnaissance for usable radioactive material and possible locations for detonation. There are approximately 5 similar stories involving al-Qaeda but also two European nationalist cells (on Ukrainian and one European-American).

PCCTS, Knights Templar and radiological weapons

The PCCTS, Knights Templar intend to include radiological weapons in our arsenal as they are quite easy to create and relatively easy to acquire for those individuals with basic knowledge. However, we do not intend to detonate radiological weapons before the capitulation deadline given to the criminal multiculturalist regimes of Western Europe which is; Jan 1st, 2020. Preparations to acquire enough caesium and other radiological components should however begin immediately so that we are well positioned to effectuate attacks after the deadline. Our radiological attacks (RDDs) will cause minimal to no civilian casualties but will create devastating ideological, physiological and economical damage on the targeted cultural Marxist/multiculturalist regime.

Protection when handling radiological material

Let there be no doubt; the cost and complexity of using protective systems needed to protect the handler from radiation is not realistic. Our goal is therefore to use protective systems (hazmat suits, improvised and relatively inexpensive lead containers) that allow the builder/transporter of the bomb to survive long enough in order to successfully deploy and detonate it. Ensure that you have drugs against radiation sickness available prior to initiation of operation. These drugs will treat damaged organs, reduce symptoms and manage pain. Decontamination is the removal of as much external radioactive particles as possible. Removing clothing and shoes eliminates about 90 percent of external contamination. Gently washing with water and soap removes additional radiation particles from the skin. Decontamination prevents further distribution of radioactive materials and lowers the risk of internal contamination from inhalation, ingestion or open wounds.

Treatment for internal contamination includes treatments to reduce damage to internal organs caused by radioactive particles. These treatments include the following:

- Potassium iodide is a nonradioactive form of iodine. Because iodine is essential for proper thyroid function, the thyroid becomes a "destination" for iodine in the body. If you have internal contamination with radioactive iodine (radioiodine), your thyroid will absorb radioiodine just as it would other forms of iodine. Treatment with potassium iodide may fill "vacancies" in the thyroid and prevent absorption of radioiodine. The radioiodine is eventually cleared from the body in urine.
- Prussian blue, a type of dye, binds to particles of radioactive elements known as cesium and thallium. The radioactive particles are then excreted in feces. This treatment speeds up the elimination of the radioactive particles and reduces the amount of radiation cells may absorb.
- Diethylenetriamine pentaacetic acid (DTPA) is a substance that binds to metals. DTPA binds to particles of the radioactive elements plutonium, americium and curium. The radioactive particles pass out of the body in urine, thereby reducing the amount of radiation absorbed.

Supportive treatment

If you have radiation sickness, you should take additional medications or interventions to treat:

- Bacterial infections
- Headache
- Fever
- Diarrhea
- Nausea and vomiting
- Dehydration

Long term exposure of radiation may damage your bone marrow. However, it is unlikely that any Justiciar Knight will expose himself to radiation over a longer period, unless he is seeking radiological sources over a period of several months, so a scenario where you experience damage to your bone marrow is not realistic. In a context where this is a problem, a protein called granulocyte colony-stimulating factor, which promotes the growth of white blood cells, may counter the effect of radiation sickness on bone marrow. Treatment with this protein-based medication, which includes filgrastim (Neupogen) and pegfilgrastim (Neulasta), may increase white blood cell production and help prevent subsequent infections.

End-of-life preparations

A Justiciar Knight who has absorbed large doses of radiation (8 Gy or greater) has little chance of recovery and will die. Depending of the severity of illness, death can occur within two days or two to three weeks. Justiciar Knights with a lethal radiation dose should ensure that he has medications to control pain, nausea, vomiting and diarrhoea. He should also receive psychological encouragement from fellow Knights if possible.

Hazmat suit and lead containers

Be extremely careful when handling radiological material. One example we can learn from is the radiological accident occurring in Goiânia, Brazil, between September 1987 and March 1988: Two metal scavengers broke into an abandoned radiotherapy clinic and removed a teletherapy source capsule containing powdered caesium-137 with an activity of 50 T Bq. They brought it home to one of the men to take it apart and sell it as scrap metal. Later that day both men were showing acute signs of radiation illness with

vomiting and one of the men had a swollen hand and diarrhoea. A few days later one of the men punctured the 1 mm thick window of the capsule, allowing the caesium chloride powder to leak out and when realizing the powder glowed blue in the dark, brought it back home to his family and friends to show it off. After 2 weeks of spread by contact contamination causing an increasing number of adverse health effects, the correct diagnosis of acute radiation sickness was made at a hospital and proper precautions could be put into procedure. By this time 249 people were contaminated, 151 exhibited both external and internal contamination of which 20 people were seriously ill and 5 people died.

The Goiânia incident to some extent predicts the contamination pattern when an explosion spreads radioactive material, but also how fatal even very small amounts of ingested radioactive powder can be. The goal must be to acquire and use powdered alpha emitting material (or equivalently potent material), that if ingested can pose a serious health risk. This was also the case of deceased former KGB spy Alexander Litvinenko, who either ate, drank or inhaled polonium-210. "Smoky bombs" based on alpha emitters might easily be just as dangerous as beta or gamma emitting dirty bombs.

Justiciar Knight Commanders or Operatives should take the required security measures and at least provide and use secure lead containers. I have not yet researched portable, anti-radiological containers, but it is likely we will have to design and build them ourselves as we need to properly add camouflaging effects to the item for transportation purposes. The containers, perhaps designed as briefcases, must be used in order to prevent alerting your surroundings. When approaching a source, you should equip your anti-radiological hazmat suit and secure the material in your container. When you are at a safe distance you must then un-equip your suit (and transport it in a separate bag) in order to avoid raising red flags from your surroundings.

Obtaining material for a radiological bomb

When evaluating sources for the acquirement of radiological material a good measurement should be to focus on material with an activity potential of at least more than 5 T Bq. The latest government security overview published in 2010 estimates that more than 2000 tons of radiological material remains unsecured around the world in the strangest of places. Material lies unsecured in thousands of locations such as Russian light houses, abandoned radiotherapy clinics, national industrial or military dumping grounds, abandoned plutonium mines, abandoned military vessels, sunken military vessels (material available to divers) etc.

In order for us to construct and detonate a radiological bomb, we must acquire radioactive material by stealing it or buying it through legal or illegal channels. Possible RDD material could come from the millions of radioactive sources used worldwide in the industry, for medical purposes and in academic applications mainly for research. Of these sources, only nine reactor produced isotopes stand out as being suitable for radiological terror:

- Americium-241 (widely used in smoke detectors, 1 milligram per)
- Californium-252
- Caesium-137 (cesium)
- Cobalt-60
- Iridium-192
- Plutonium-238, 239
- Polonium-210
- Radium-226
- Strontium-90

Of these materials, radium-226 and polonium-210 are considered the least potent. Of these sources the U.S. Nuclear Regulatory Commission has estimated that within the US, approximately one source is lost, abandoned or stolen every day of the year. Within the European Union the annual estimate is 70. There exists thousands of such "orphan" sources scattered throughout the world, but of those reported lost, no more than an estimated 20 percent are classified as a potential high security concern if used in a RDD. Especially Russia is believed to house thousands of orphan sources, which were lost following the collapse of the Soviet Union. A large but unknown number of these sources probably belong to our Russian nationalist brothers or sympathisers or the Russian mafia networks. Noteworthy are the Russian very strong beta emitting strontium-90 sources used as radioisotope thermoelectric generators for beacons in lighthouses in remote areas. These were recently (2009) secured by Russian authorities but many were stolen or "lost" prior to this campaign. It is likely that such emitters are still widely available in ex-Soviet republics. In December 2001, three Georgian woodcutters stumbled over such a power generator and dragged it back to their camp site to use it as a heat source. Within hours they suffered from acute radiation sickness and sought hospital treatment. The International Atomic Energy Agency (IAEA) later stated that it contained an amount of strontium equivalent to pose a huge risk if ever used with a RDD.

It should be considered relatively easy to acquire at least one of these materials if you have a minimum of information in regards to appropriate sources. It is therefore likely that any Justiciar Knight cell attempting to acquire radiological material will be successful. We, the PCCTS, Knights Templar or any allied liberation organization is likely to obtain radioactive material through the "black market" or by going directly to the sources ourselves. Due to the nature of our hierarchical structure it is unlikely that we can afford purchasing it from criminal organization as the prize would simply be too steep. In any case, the black market remains as one viable option for acquirement. There has been a steady increase in illicit trafficking of radioactive sources from 1996 to 2004. However, these recorded trafficking incidents mainly refer to rediscovered orphan sources without any sign of the criminal activity being linked to patriotic liberation movements.

Challenges and considerations for the Justiciar Knights cell

In addition to task consisting of obtaining usable radioactive material, there are several requirements or considerations we have to evaluate:

1. The source should be "sufficiently" radioactive to create direct radiological damage at the explosion or at least to perform societal damage or disruption.
2. The source should be transportable with enough shielding to protect the carrier, but not so much that it will be too heavy to manoeuvre. Loading enough material in a truck together with a small to medium fertilizer bomb would seem to be the most pragmatical approach.
3. The radiological material must be sufficiently dispersed during detonation to effectively contaminate the area around the explosion. Creating a solid dispersal strategy is required which should involve the inclusion of for example designed hollow/soaked projectiles made from metal/steel which are included as "carriers". Metal shrapnel, or perhaps specifically designed steel balls with small internal chambers (containing radioactive material), either designed to be dispersed at impact location or specifically designed metal balls/shrapnel for aerial dispersal from detonation site to impact site. If designed correctly, the material inside the ball will be dispersed in relation to the velocity of the projectile vs. design size and air pressure. If you cover the bomb with thousands of these metal carrier shrapnel/balls, depending on detonation site, it may contaminate an area up to 3 square kilometres. If you add enough of these balls, it will result in a scenario where it will literally

“rain radioactive balls” over a big portion of the city contributing to the ideological, psychological and economical devastation.

4. Suitable locations: Western European capitals preferably close to or on top of the most popular inner city tourist attractions/parliament building/city hall or any other location of symbolic/economical value to cause maximum ideological, psychological and economical damage. Just imagine how much ideological, psychological and economical damage it would cause the criminal French cultural Marxist/multiculturalist regime if they had to abandon the Eiffel tower and create a 1 km containment zone around it for several decades to come. The total sum of damage converted into economical losses for the regime would amount to as much as hundreds of billions of Euros and would perhaps cause a chain reaction leading to the fall of the regime.

An example of a best case scenario is when a Justiciar Knight cell (1-3 individuals) possessing a source of highly radioactive material, e.g. a strontium-90 thermal generator, with the ability to create an incident comparable to the Chernobyl accident. The detonation of a radiological bomb using such a source would be optimal and would not prove to be too difficult or unrealistic. These light house thermal generators were until recently readily available in Russia and are still available in ex-Soviet republics. We would assemble the bomb in a safe location using protective gear and transport the bomb by truck to the detonation location. The Justiciar Knights involved in this operation would be subject to severe radiation exposure during assembly and transportation. However, the exposure would not be fatal immediately and the Justiciar Knights involved would be able to function properly with the provided meds until detonation. During transportation, the device has to be sealed or at least covered in a large lead capsule/cover in order to prevent too much radiation to the Knights transporting it. It is however worth noting; shielding the source effectively would make it almost impossible to transport and a lot less effective if detonated. The Justiciar Knights involved in the assembly and/or transport (1-2) are therefore sacrificing themselves and will die as martyrs for the cause.

Considering an alternative dispersal approach

Instead of or addition to a blast, for the intention of effective dispersal, it should be considered to simply use a gasoline/rubber mix as the primary dispersal method. In this context, a Justiciar Knight has to go to the back of the truck and remove the lead containment shell (the protective measures), ensuring that all the radiological material is unshielded. He will then have to ignite the 5-20 barrels of gasoline/rubber mix either via remote detonation or by dead man switch. At that point he will have no chance of long term survival due to severe radiation poisoning. It would therefore be most efficient if he used a remote detonation and established a sniper post close to the fire, and thus effectively preventing the fire corps from putting out the fire for up to a period of 60 minutes (until he is neutralised by a system protector snipers). The fire will generate significant radioactive fumes (radioactive particles carried by the fumes) and the resulting fume-clouds will act as the “dispersal device” transporting highly radioactive particles up to several hundred kilometres away and would be likely to contaminate neighbouring countries and thus causing an international crisis.

Estimating the consequences of a Knights Templar RDD attack

The fear of radiation is not always logical. Although the exposure might be minimal, many people find radiation exposure especially frightening because it is something they cannot see or feel, and it therefore becomes an unknown source of danger. The Western European multiculturalist regimes will have great challenges in dealing with public fear after a RDD attack. This public fear of radiation also plays a big role in why the costs of

an RDD impact on a major metropolitan area might be equal to or even larger than that of the 9/11 attacks. Assuming the radiation levels are not too high and the area does not need to be abandoned such as the town of Pripjat near the Chernobyl reactor, an expensive and time consuming cleanup procedure will begin which will cost the regime anything from 500 million up to 2000 billion Euros. This will mainly consist of tearing down highly contaminated buildings, digging up contaminated soil/asphalt/concrete and quickly applying sticky substances to remaining surfaces to adhere the radioactive particles before radioactivity penetrates the building materials. These procedures are the current state of the art for radioactive contamination cleanup, but many experts say that a complete cleanup of external surfaces in an urban area to current decontamination limits would be impossible. As such, it is likely that the regime will have no choice but to create a containment zone on a smaller scale than that of Chernobyl. This policy of abandonment will result in a scenario where up to 1 square kilometre in an urban environment is contained/restricted for up to 100 years. The infrastructure "lost" for this period might amount to as much as 1000 billion Euros. In addition there will be massive loss of working hours as the working force in the specified sector is "relocated". Even if the regime manages to cleanup parts of the area there will still be devastating psychological and economical impact. Because even if they manage to reduce the radiation levels to an acceptable level, there will be residual public fear of the site including unwillingness to conduct business as usual in the area. Tourist traffic is likely not to resume for at least several decades.

Manipulative proxy attacks

Involves all devastating attacks against Muslim groups with the purpose of provoking a collective response or manipulate individual Muslims to choose the path of Jihad.

See other chapter.

Communication and Logistics

Issues relating to Overseer tasks such as insignias, commendations and uniforms communicate our sovereignty and contribute to establish the consensus that we in fact represent a realistic independent political alternative from the current Western European multiculturalist hegemony. We want to communicate that we are not merely tools of the ongoing European civil war but that we are and indeed represent a realistic and independent future political government to the existing EUSSR regimes. As such, these topics are included under *Communication and Logistics*. A Justiciar Knight uniform with insignias, badges and commendations communicates quite effectively our accomplishments (ribbon by ribbon), our unwavering determination and our responsibility to carry the struggle forward with specific goals for the future, this for everyone to see during a trial. Our Justiciar Knight tombstone communicates our cause message after the individual Justiciar Knight has perished. As such, all tasks and areas relating to the Overseer is a part of our deliberate communication strategy and must be regarded as such.

3.60 European resistance fighters and the importance of an appealing image and ideology - efficient marketing techniques

A Justiciar Knight is not only a valorous resistance fighter, a one man army; he is a one man marketing agency as well.

We are selling the promise of a better future for our people and our children. Resistance fighters are in many ways sales representatives. They are marketers and ambassadors to not only their specific organisations and movements but to the future we wish to create. As such, it is important that all resistance fighters learn the basics of sales and marketing. Failing to understand basic primary concepts of sales and marketing will significantly limit the impact and efficiency of the message we wish to send.



When we blow up a building full of category A and B traitors it is not only for the purpose of killing. An important part of the operation is to force awareness of our movement and our ideology. The ideology we represent is the product we want to sell to the European peoples.

It is essential for all cultural conservative resistance fighters to understand that we are in the middle of a war of perceptions. Our objective is to portray our enemies in the worst possible light - as cultural Marxist traitors who wishes to sell their own peoples into Muslim slavery. They, on the other hand, have the exact opposite objective. They are doing everything to tell the people that they have no political opposition whatsoever and that the occasional attack is only committed by backwater, brain damaged and inbred

freaks. They are effectively "selling" the perception that we are nothing more than a bunch of pedophile and criminal scum of society, who has somehow escaped from the local insane asylum. They ALWAYS illustrate their definition of heroic icons of society using all factors to improve their looks and appeal. And they ALWAYS illustrate the nationalist resistance fighters in the worst possible light, without makeup, in bad lighting, without editing, and often in unfortunate postures. And these often appalling photos correlate with the above description. This is not coincidental but a deliberate aspect of their psychological warfare against us. They deliberately portray us as the anti-thesis of the ideal person so that we achieve a minimum of impact when it comes to appealing to the average European. We must counter this psychological warfare campaign by making it harder for them to use this weapon against us.

We must learn the basics of sales and marketing and apply this knowledge to our own benefit. We must learn to incorporate marketing/sales aspects in our operations. How can we do this?

In marketing

Sexy projections of females sell and inspire, in peacetime and during war. There will primarily be men taking most of the risks so it should be a priority to appeal to a broadest selection of European males. Resistance leaders/cell commanders or individual cell operatives must prioritise to arrange and book a professional photo session prior to operation for one or all involved. Resistance leaders of larger networks should also arrange photo sessions with female patriotic models to use in online marketing/recruitment campaigns. It is essential that enough resources are invested into marketing material in order to create a professional and appealing image of our struggle. It is essential that cell commanders and/or cell operatives budget at least a portion of their operational budget to photo sessions and remember to delete all other unfortunate photos from the past. This is to prevent the media/police from getting access to them and exploit them for their own propaganda. The police usually "leak" "retarded looking" photos to the press after raiding the cells apartment after an operation. By removing and deleting all "negative" photos, and by making available the professional, photo shopped photos prior to the operation; we make their job significantly harder.

General marketing tips

- Use modern, stylish mainstream logos and material that will appeal to a maximum of targets (poor material that looks unappealing will not benefit our cause)
- Use professional graphic designers (poor graphic/material will not benefit our cause)
- All models should be styled to look their best (a person who looks like a caveman (ref: Osama) will have little appeal)
- Use professional makeup artists and use make up on both female and male models. Yes, this sounds gay, but looking "attractive" will significantly benefit the impact of our message as it will act as a force multiplier
- Use professional editing (photoshop) on all digital photos (You can hire a programmer on f example: www.scriptlance.com to photoshop your pictures for less than 50 Euro).

Preparations required before a photo shoot

As a Justiciar Knight you will go into history as one of the most influential individuals of your time. So you need to look your absolute best and ensure that you produce quality marketing material prior to operation.

Prepare for the photo session;

- Take a few hours in a solarium to look fresher.
- Train hard (work out) at least 7 days prior to photo session
- Cut your hair shave
- Visit a male salon if possible and apply light makeup. Yes, I know – this might sound repulsive to big badass warriors like us, but we must look our best for the shoot
- Use your best clothing – you can for example bring 3 different sets of clothing to the shoot location – 1. Dress, tie etc. 2. Casual wear 3. Sporty wear 4. Militaristic wear (obviously, you can't bring your guns or anything indicating that you are a resistance fighter). You should always order the photo session in a foreign country to avoid that the personnel alerts authorities. Always pay in cash and do not sign any receipt with your own name.

End note: Be very careful to have military shots lying around. Be very careful if you decide to use pictures with guns. People who see these photos might alert the authorities. Carefully consider the use of symbols as it might backfire. Cross of the martyrs is fine (St. George) but avoid any symbol associated with Nazism.

Battlefield Wikipedia - an important tool to market resistance fighters/resistance movements and our world view

Members of the European Resistance Movements on all 8 political fronts must prioritise contributions in Wikipedia as a primary method for presenting our world view, our political doctrines and our definition of history.

As for members, sympathizers or anonymous contributors of the European armed resistance:

You may create a Wikipedia description prior to operation and make it "indirectly" available to sympathisers. If no Wikipedia profile has been created for the resistance fighter, any sympathiser should contribute to create one. Furthermore, we must create an article that has the potential to indirectly appeal to anyone reviewing it. If you choose to create one yourself prior to an operation you obviously can't include ANY incriminating information. Details concerning the operation, goals, motivations and interviews and/or other info must be added by sympathisers after an operation. It is essential to describe our 70 year goal and specific goals for phase 1, 2 and 3 of the European civil war. 1-2 photos from the photo shoot should be included in the Wikipedia entry.

Keep in mind that our enemies (cultural Marxists, humanists) may try to use Wikipedia to ridicule or discredit these resistance fighters. They may also attempt to sabotage existing Wikipedia entries. All sympathisers should therefore keep an eye out for these wiki attacks.

Wikipedia should not be underestimated as a primary source for contributing to create "established truths". We must strive to present our views in the most favorable way while at the same time discredit our enemies. It is an arena we should focus on.

3.61 After a successful operation - countering the misinformation campaign from the multiculturalist government – martyrdom or prison



When an operative of any of the European Resistance Movements manages to deal a newsworthy blow to the regime (a blow big enough to penetrate censorship), the natural response from the multiculturalist regime will be to protect its ideology from any and all ideological damage. This is usually done by labeling the enemy as a madman or discrediting him as a victim in some twisted way (character assassination). They will usually claim the individual was not a cultural conservative resistance fighter but rather a pathetic victim who was bullied or discriminated against by

someone at some point in his past. We see that the multiculturalists use this very efficient psy. war method again and again when they face a lethal terrorist attack of any sort.

No, no, he was not a Jihadist. He was just a misunderstood individual, a psychologically unstable victim abused/misguided by someone etc.

According to them, there is only a small core of evil Muslim fanatics in the world sitting in caves somewhere and are recruiting through the internet (through wireless satellite broadband) "vulnerable angry individuals", victimised by society in the past, as suicide bombers. They will also claim that any European resistance fighter is just as pathetic, that all are "poor white trash psychotics, with a medieval mentality, who are making a fuss because we failed in the materialistic hierarchy". According to their logic there are just a handful of us trying to recruit vulnerable individuals, when in fact the truth is anything but what they are trying to project.

Now, normally you would think the MSM or the government is just incredible naive for claiming this. But in fact, this deliberate strategy is everything but naive. It's a highly sophisticated psychological warfare countermeasure designed to limit any and all ideological damage which might have been caused by the attack. Because you see, if the multiculturalist regime can prove without a reasonable doubt that the attacking force (usually a single individual cell) is a random irrelevant madman and not in fact a threatening political adversary they will successfully achieve a position where they do not have to explain to the public why said individual would want to cause ideological damage to them. It is a deliberate strategy to avoid revealing the truth, and the attackers political motives. Admitting that the attacker has some valid points would contribute to undermine the system they have chosen to protect. This strategy of ridiculing their political enemies also prevents other nationalists from pursuing the same course.

So, in any situation where an attacking force is defeated (and we will all, most likely, be defeated in phase 1) they will cling to this strategy of discredit and ridicule. Alternatively they will use censorship to silence the story to death as is the common weapon of choice in France. A countermeasure would be for the resistance fighter to actually survive the operation and attest to his political agenda. That his objective was in fact part of a larger, long term strategy to cause ideological damage to the EUSSR/USASSR multiculturalist regime as part of a 100 year plan to completely seize power through military means and replace the system. The problem, however, with allowing capture is that the regime will use all means to break the subject. They are not allowed to torture so they will have the Muslims do it for them (by placing the resistance fighter together with Muslims). They may say; we can't torture you so we will let the Mujahedeen in our prison systems rape/torture you until you reject your beliefs. If you do not reject them after that we will

let them kill you. It would be an overwhelming success for them if they managed to make a resistance fighter reject his political beliefs.

Countering the misinformation campaign

Likely counter attacks (propaganda/ideological counter attacks) should be expected. The classical approach is to first character assassinate every individual involved in the operation branding them as freaks: racists, fascists, Nazis, paedophiles, nut-cases etc., secondary to claim that we are representing a monster-ideology. They will claim that we represent an ideology that would stigmatise and de-legitimise us in the eyes of the people. The multiculturalists will claim that we are right wing extremists who seek to form a totalitarian/un-democratic racist/fascist/Nazi society/structure based on hate. Obviously this is as far from the truth as imaginable. Therefore, we must be prepared to explain to the people at any given time and in a few words what kind of society they can expect when we successfully gain power.

What kind of society/political platform are we seeking to build/restore. What does a cultural conservative/nationalist/monocultural society constitute?

The closest similarity you will find and a good comparison is especially the Japanese and South Korean societies and to a certain degree the Taiwanese model. These three models contain a majority of all the political principles we seek to restore. They represent many of the European classical conservative principles of the 1950's (culturally) with modern twists; in other words a monocultural, scientifically advanced, economically progressive society with an exceptional level of welfare but which will not accept multiculturalism or Cultural Marxist principles. Japan, South Korea and Taiwan are today the most peaceful societies due to their monocultural model. Crime is more or less non-existent and you can travel freely everywhere without the constant fear of getting raped, ravaged, robbed or killed. They have embraced many positive aspects of globalism but have rejected many of the negative aspects. The fundamentals of the patriarchal structures and family values are very strong in these three countries as the wave of feminism lacked several catalyst components (which made it a lot less potent) due to the rejection of multiculturalist/cultural Marxist thought during the 60s and 70s. Japan, South Korea and Taiwan are today our role models for the conservative movement. They are peaceful and anti-imperialistic just like we have aspirations to be.

When listening to Marxist propaganda, the typical claims are all based on lies. It is a falsehood to claim that the cultural conservatives in Europe are imperialistic and violent by nature. We do NOT want to copy the failed aggressive totalitarian fascist dictatorships like Nazi Germany, far from it. We hate everything Nazi Germany stood for, in fact we view the current EUSSR/Multiculturalist regimes of Western Europe as totalitarian Nazi regimes. We condemn imperialistic thought and we condemn genocide and violence in general. Our current struggle is based on a pre-emptive struggle (self defence). We have no territorial claims that will violate any sovereign European or other civilised country, the exception being our Middle Eastern foreign policy plan. This involves a Crusade, or to use a more modern phrase; an anti-Jihad campaign, preventing the continuation of the genocides against the Maronite, Assyrian, Coptic and other Middle Eastern Christian peoples and restoring parts of Anatolia under Greek and Armenian rule once again. Launching crusades to counter ongoing Jihads (there are 20+ Jihad fronts around the world) is acceptable, but under no circumstances shall we attack or annex territory belonging to our fellow Christian brothers and sisters, or our Buddhist or Hindu allies. Hindus and Buddhists are considered brothers in our common fight against Jihadi imperialism, atrocities and genocides.

Any cultural conservative Christian country/state declaring war against another Christian state (such as the former Serbian-Croatian war) will be regarded as the enemy of the

future cultural conservative political alliance (European Federation) and will be punished severely.

3.62 Grand Master Overseer – the Overseer Organisation

An Overseer, Master Overseer or the Grand Master Overseer (for phase 1) is a volunteer who serves the PCCTS, Knights Templar as a civilian administrator, care-taker and logistical officer.

The Overseer's primary task will be to handle certain practical, logistical or administrative tasks for the PCCTS and for any fallen Christian Martyrs.

Primary tasks include:

- Running an informational website/announcement portal
- Contribute to provide proper legal defence for any apprehended Justiciar Knight after a failed or successful operation
- Award commendations to Justiciar Knights
- Provide the military uniform with the appropriate insignia for any apprehended Justiciar Knights
- Provide the Justiciar Knight tombstone for any fallen members
- Finance the above activities by donations and gifts etc.

Creating the organisation

The Grand Master Overseer cannot have any "official" ties with an "illegal liberation/military/terrorist organisation". The name of the organisation should therefore not be PCCTS, Knights Templar but something completely objective such as f. example:

Headquarters for Commemorating Martyrs of the European Resistance Movement

Establish and administrate one or several PCCTS, Knights Templar websites – communication portal (Justiciar Knight logs)

The Website will be an informational (educational) site which in no way must violate European law. Its primary function is to forward information about historical Christian European knights such as Martel/Sobieski and current fallen Justiciar Knights (Commemorating Martyrs). The site will present the organisations principles, codes, insignia, commendations, rules of conduct and describe political goals (objectively). It is essential that all information on the website is in compliance with European law.

The website must also contain an area where incarcerated Justiciar Knights can publish national, pan-European or international announcements (these will be available for all to see, including the press etc). An overseer must contact incarcerated Justiciar Knights from time to time and forward any post any announcement on the website if requested. As such, the website functions as a communication channel to the world.

Due to the nature of the PCCTS, Knights Templar, no Overseer is allowed to have any ties to operational cell operatives or commanders (and vice versa) as it may incriminate

them. However, Knights who are already incarcerated (non-operational cell members) pose no potential legal challenges and announcements they make may be forwarded as long as it doesn't include information which might incriminate the Overseer or the Overseer organisation (direct threats etc).

The announcement pages should be categorised by country. There will be a separate announcement page for pan-European/international announcements.

Rules for incarcerated Justiciar Knights posting announcements:

For example a French Justiciar Knight can make an announcement and forward it to the national or pan-European Overseer if he feels the message will contribute to our cause or if it can improve the situation for himself or fellow Knights in prison.

A Justiciar Knight making a political announcement must obviously follow our principles and avoid issues that may be controversial within our military order. Personal views should be avoided if they violate our primary principles.

The Overseer organisation must contribute to the future election of a non-operational, pan-European Grand Master Knight

Any individual Justiciar Knight may be elected as a national or pan-European spokesperson at any given time. The individual will be elected based on for example rhetorical skills, social/military status/fame/accomplishments or other essential skills or virtues. As the number of incarcerated Knights increase in the future it will be appropriate to elect an official pan-European spokesperson or a so called non-operational, pan-European Grand Master Knight. Candidates from France, the UK or Germany will be favoured in any election due to the importance of these countries. The candidate must be fluent in English. The leading incarcerated Justiciar Knight in any country will be appointed as the non-operational, National Grand Master Knight and will have the right to cast one vote when electing a non-operational, pan-European (int'l) Grand Master Knight. The National Grand Master Knight from France, the UK and Germany has a double vote in elections. A non-operational Grand Master Knight (may be appointed in P1) must not be confused with the future "operational" National/pan-European Grand Master Knight Commander (P2/P3).

Any Overseer/Master Overseer/Grand Master Overseer must be approved by the National Grand Master Knight.

A Master Overseer/the Grand Master Overseer may take the initiative to develop the Overseer organisation into a "political wing" in the future. It is essential that a future political wing is set up and organised in a manner which ensures that it does not violate European law.

An appropriate name would for example be: The Conservative Revolutionary Movement or The pan-European Conservative Revolutionary Movement.

Identifying PCCTS, Knights Templar, Justiciar Knights

The most important task of the Grand Master Overseer (Master Overseer) will be to identify old and new fallen/incarcerated Justiciar Knights. In other words, the Overseer will basically have to research, evaluate and approve new individuals. New candidates are added into the registry and will be supported by the organisation. This can be done

by reviewing/researching media events or by receiving tips (suggestions) via email or web. All fallen Martyrs, under consideration, must follow the primary guidelines of the PCCTS, Knights Templar in order to be approved for official knighthood.

Evaluation committee, Phase 2

Decide in accordance with other Overseers which new individuals are to be knighted. Processing applications/researching candidates.

Finding suppliers of commendations, uniforms and tombstone

Future production and design

For future design of medals and insignia, the Overseer should consider using international suppliers as it will be the most cost efficient production option:

Supplier market places such as <http://www.alibaba.com/> or similar should be used for this purpose.

More information about commendations and uniforms is covered in another chapter.

A future Overseer organisation must localise a tombstone carver/supplier

A future Overseer organisation should provide and subsidise a standard edition of the Justiciar Knight tombstone.

A European tombstone carver, preferably specialised in traditional tombstone architecture, is likely to charge more than 5000-10 000 Euro in order to create the stone. As such, producers in low cost countries should be contacted for the task of creating one or multiple stones in the future. Generally, countries with vast experience in traditional tombstone ornaments would be Southern European countries f. example Malta or Cyprus. Perhaps Armenia and even China or India should be considered as well. Creating unique accessories (such as commendations, medals, tombstones etc.) in India or China will allow us to save up to 80% of estimated cost. I realise that this might sound hypocritical considering the fact that cultural conservatives in general oppose Indian or Chinese membership in WTO and the fact that we generally prefer in sourcing as many industries as possible. However, conserving our funds is a central part of our struggle, especially in phase 1 and 2.

Contacting the Justiciar Knights next of kin to present commendations and tombstone

A representative from the Overseer organisation should contact the fallen Justiciar Knights next of kin in order to present the earned commendations and the tombstone. There is a chance that some or all of the family members of the Justiciar Knight opposed him ideologically or perhaps are just too scared to accept the commendations and tombstone as they fear the potential stigma attached. They may also fear that the Justiciar Knight tombstone will be destroyed by the regime, Marxist extremists or Muslims. An agreement/ understanding with the next of kin is therefore required before

the tombstone is produced. Post-mortem commendations such as the medals and the tombstone are mostly symbols of honour but are also indirect political statements. The Overseer should therefore be mentally prepared for rejection by next of kin.

Overseer guidelines for awarding commendations to non-JK patriotic resistance fighters and civilian contributors (right wing intellectuals etc.)

Future Overseer leadership must consider and decide whether awarding certain commendations to other individuals than Justiciar Knights might be beneficial to the cause.

There are a minimum of requirements that must apply for the candidate:

The candidate must acknowledge the PCCTS, Knights Templar as a just liberation movement working for the interests of all Europeans and must agree with at least all non-violent principles of the PCCTS.

The candidate must oppose all hate-ideologies; communism, cultural Marxism/multiculturalism, Islam and national socialism.

The candidate must not be a Nazi-sympathiser or support white supremacy ideologies as those are considered hate ideologies.

If it is revealed, in retrospect, that an individual propagate or defend hate ideologies, the commendations given to that individual will be nullified and the individuals name will be deleted from the registry.

A candidate of certain civilian commendations may belong to any denomination of Christendom and can also be a Jew, Hindu, Buddhist, Zoroastrian, agnostic and atheist.

Finance

Acquiring funds for the organisation via donations from individuals or organisations throughout Europe are a top priority. Also, there are several individuals throughout Europe who testaments their wealth to organisations who work for anti immigration/Islamisation. An overseer should research European countries by contacting the Bar organisation in given countries and claim these contributions with the purpose of financing any practical or administrative tasks (honourary tombstones, commendations, uniforms or website costs etc). Receipts and other documentation will have to be presented.

An Overseer should not profit from these activities.

Requirements to become the Grand Master Overseer

The individual needs a track record of non-military cultural/Christian conservative (anti-Jihad) activism. The individual has to be a Christian European and thus must support Judeo Christian traditions. In other words, the individual has to oppose the Islamisation of Europe/European multiculturalism. The individual must also support the PCCTS,

Knights Templar territorial claims in the Balkans and in the Middle East. The individual must not have a track record involving racism or support for Racial Conservatism.

Who will approve the first Grand Master Overseer?

The individual has to claim the position. This will be done by creation and administration of a website, following the given guidelines. Furthermore, he has to pay the costs for the first commendation and tombstone for the first martyred Justiciar Knight. As soon this is done, and if he fulfils all the requirements, he may indirectly announce himself as the official Grand Master Overseer of the Knights Templar and can and should take the initiative to develop the non-military organisation according to guidelines. It should be noted, that due to legal limitations concerning the support for "so called terrorism" he cannot openly support the activities of any fallen Knight. He must use deceitful approaches, speak with "two tongues" in order to ensure that he doesn't incriminate himself in any way.

Why the position of a Grand Master Overseer has not been filled prior to first spectacular attack?

Obviously, this would have implicated and incriminated the individual. Therefore, the position will only be available after the first spectacular attack.

3.63 Why bother with honouring fallen Martyrs and living Heroes of our struggle?

It is essential and extremely important to honour living heroes of our struggle and to ensure that fallen martyrs are commemorated. How can we expect to re-found the ancient European traditions of Martyrdom if no one is honouring our living and fallen heroes? The Muslim world is a good example. Honouring and commemorating Jihadists have been institutionalised for centuries and even involves economic compensation to the family of each Martyr. Iraq, Iran and several countries have willingly contributed with millions of dollars to "Martyr Commemoration funds". Every single Jihadi martyr who dies in the struggle against Christendom or the Jews (and historically, many other wars) have received financial support (given to the Martyrs family) and other commendations. We must do the same.



Learning from the Muslims

The following text describes one of these commemoration groups:

The organisation calls itself, the Committee for the Glorification of Martyrs of the Global Islamic Movement (Setad Padasht Shohadaye Nehzat Jahani Islam). Spokesman for the group Mohammad Mohammadi (Mohammad-Ali Samadi, according to Iran Focus) said: "Every six months we sign up volunteers. Now we have 55,000 of them. Then we choose the volunteers and divide them up into battalions."

Mohammadi said his latest battalion numbered 500, with 30% of these being women. He claims his group is independent of the Islamist regime, but anything which is public in Iran is never independent.

The volunteers can choose either to blow up Salman Rushdie, or blow up Israel or "the infidels occupying Iraq" (America), a sign that the group exists more for confidence-building among Iranian young people, who currently suffer high unemployment, rather than realistic military strategy.

Meghdad Hamedinia, a 27-year old suicide recruit said: "I want to defend Islam, so I signed up for all three. All the American presidents are rascals. I'll give my life for Islam."

3.64 Knights Templar orders, commendations, uniform, title, tombstone and relevant information

All Justiciar Knights (self appointed in P1, approved by the Grand Master Overseer in P2/3) will have the opportunity to earn the following commendations:

As long as an "Overseer organisation" has not yet been created (in P1), it is up to each Justiciar Knight to follow the specific commendation regulations and guidelines in regards to taking credit for specific efforts. Until an Overseer organisation has been established (P1), it is up to each and every Justiciar Knight cell commander to provide his cell operatives with the commendations earned. These commendations should not be acquired until after a successful operation has been executed. Just ensure that you have the necessary order information available and your lawyer (or friend/family member) will be able to order the commendations for you.

Justiciar Knight Military Orders

A Justiciar Knight will become a member of one of the three Orders depending on the outcome of his operation:

Justiciar Knight Military Order of the Martyrs

A fallen Justiciar Knight (fallen in the line of duty) is awarded with the Cross of Martyrdom regardless of the outcome of his operation.
Red cross with gold outline.



This breast jewel is awarded for heroic and exceptional service, through martyrdom, by defending the indigenous peoples of Europe, European identity, culture, traditions and European Christendom. Post-mortem award.

Justiciar Knight Military Order of Battle

Justiciar Knight Cross of Battle, Injury (successful) - Red cross with silver outline.

Justiciar Knight Military Order of Service

Justiciar Knight Cross of Service, Service (unsuccessful) - Red cross with bronze outline.

This breast jewel is awarded to all Justiciar Knights regardless of success of the operation.

Knight of Malta Breast Jewel

The Knight of Malta Breast Jewel is awarded to all Justiciar Knights who have earned at least 10 commendations (the 5 primary commendations are included, the breast jewels are not).



Red Cross of Constantine Breast Jewel

The Red Cross of Constantine is awarded to all Justiciar Knights who have earned at least 15 commendations (the 5 primary commendations are included).



The three breast jewels can be ordered from the following store:

<http://www.masoniccollection.com/>
Name: Knights Templar Breast Jewel
Name: Masonic Knight of Malta Breast Jewel
Name: Red Cross of Constantine Breast Jewel

Medals for Exceptional Military and Civilian Service

A medal is awarded to a person as a form of recognition for organisational, intellectual or military achievements.

Earning a medal should not be restricted and limited to Justiciar Knights but to all individuals who are (and have been) committed to the struggle of liberating Europe from Marxism and from our cultural Marxist regimes. This will involve everyone who contributes as armed resistance fighters and civilians who have done an exceptional effort.

A short history of military medals and decorations

The first known instance of a medal being awarded comes from the historian Josephus who, writing long after the event, accounts that in the fourth century BCE the High Priest Jonathan led the Hebrews in aid of Alexander the Great, and that in return for this, Alexander "sent to Jonathan... honourary awards, as a golden button, which it is custom to give the king's kinsmen." Another early example of medals is found used by the

Roman Republic, which adopted an elaborate system of military awards that included medals called phalerae to be issued to soldiers and units for a variety of achievements.

Medals made to commemorate specific events, including military battles and victories, continued to be commissioned and awarded in the Roman fashion, and from this grew the practice of pinning such military medals onto one's uniform.

Many military decorations are often mistakenly referred to and confused with true medals. 'Military decoration' is an all-encompassing term that includes medals, but is generally applied to the other types of awards that do not meet the qualification of a true medal. The technical difference is that these other decorations take on a different shape, such as a cross or star, other than the generally circular one that is required. This difference does not necessarily imply any lessened honour for military decorations, as the Victoria Cross demonstrates, which is technically a decoration, as it is the highest British award for bravery in war.

An order tends to be the most elaborate of military decorations, typically awarded for distinguished services to a nation or cause. Orders are distinguished from other forms of decoration in that they often imply membership in an organisation or association of others that have received the same award. This practice originates with the mediaeval fraternities of knighthood, some of which even exists into the present and are still awarded to persons. While most of these modern orders no longer have roots in true knighthood, they still tend to carry over the terms of their historic counterparts, and terms such as knight, commander, officer, members and so on are still commonly found as ranks. A military order may use a medal as its insignia, however, most tend to have a unique badge or a type of plaque specifically designed for an emblem.

3.65 Military awards and commendations – decorations of the Knights Templar (armed and civilian efforts)

The following commendations – decorations, medals are awarded to Justiciar Knights and civilians involved in the efforts to liberate Europe from cultural Marxism.

The three primary distinguished military commendations of the PCCTS, Knights Templar are:

- Distinguished Destroyer of cultural Marxism (DCM) commendation
- Distinguished Saboteur Master (SM) commendation
- Distinguished Wielder of the Furious Scimitar (WFS) commendation

Earning one of the above commendations entitles the candidate to the following 5 base commendations:

- National Defence Service Medal
- Outstanding Volunteer Service Medal
- Honourable Crusader Medal
- Legacy of Charles Martel & John III Sobieski Medal
- Defender of Christendom Medal

1. Distinguished Destroyer of cultural Marxism Commendation

The "Distinguished Destroyer of cultural Marxism Commendation" is awarded to personnel who have confirmed kills/executions of category A, B or C cultural Marxist/multiculturalist traitors.

Sub category:

DCM – Gold sword

DCM - Gold sword, three gold stars: Participated in an operation where an international top 4 primary category A traitor was executed (head of state of either the US, Germany, France or the UK)

DCM - Gold sword, two gold stars: Participated in an operation where at least 10 international category A traitors or at least 1 category A, European head of state was executed (includes the US, Canada, Australia, New Zealand and South Africa).

DCM - Gold sword, one gold star: Participated in an operation where at least 10 national category A traitors were executed

DCM - Gold sword: Participated in an operation where at least 1 national category A traitor was executed

DCM – Gold sword, two bronze stars: Participated in an operation where an international top 4 primary category A traitor was injured (head of state of either the US, Germany, France or the UK)

DCM – Gold sword, one bronze star: Participated in an operation where at least 1 category A, European head of state was injured

DCM – Silver sword

DCM - Silver sword, two silver stars: Participated in an operation where at least 100 national or international category B traitors were executed

DCM - Silver sword, one silver star: Participated in an operation where at least 10 national or international category B traitors were executed

DCM - Silver sword: Participated in an operation where at least 1 national or international category B traitor was executed

DCM – Bronze sword

DCM - Bronze sword, two bronze stars: Participated in an operation where at least 100 national or international category C traitors were executed

DCM - Bronze sword, one bronze star: Participated in an operation where at least 10 national or international category C traitors were executed

DCM - Bronze sword: Participated in an operation where at least 2 national or international category C traitors were executed

2. Distinguished Saboteur Master Commendation

The "Distinguished Saboteur Master Commendation" is awarded to personnel who have successfully caused a minimum of 1 million Euro of property/ infrastructure damage and/or production halt loss. This includes secondary losses due to halt in production/services provided etc. It is preferred that the infrastructure/services affected are in some way directly connected to the regime.

Sub category:

SM – Bronze sword

Property/infrastructure damage and/or production halt loss of at least 1 million Euro. This includes secondary losses due to halt in production/services provided etc.

SM – Bronze sword, one bronze star

Property/infrastructure damage and/or production halt loss of at least 10 million Euro. This includes secondary losses due to halt in production/services provided etc.

SM – Bronze sword, two bronze stars

Property/infrastructure damage and/or production halt loss of at least 50 million Euro. This includes secondary losses due to halt in production/services provided etc.

SM – Silver sword

Property/infrastructure damage and/or production halt loss of at least 100 million Euro. This includes secondary losses due to halt in production/services provided etc.

SM – Silver sword, one silver star

Property/infrastructure damage and/or production halt loss of at least 250 million Euro. This includes secondary losses due to halt in production/services provided etc.

SM – Silver sword, two silver stars

Property/infrastructure damage and/or production halt loss of at least 500 million Euro. This includes secondary losses due to halt in production/services provided etc.

SM – Gold sword

Property/infrastructure damage and/or production halt loss of at least 1 billion Euro. This includes secondary losses due to halt in production/services provided etc.

SM – Gold sword, one gold star

Property/infrastructure damage and/or production halt loss of at least 2,5 billion Euro. This includes secondary losses due to halt in production/services provided etc.

SM – Gold sword, two gold stars

Property/infrastructure damage and/or production halt loss of at least 5 billion Euro. This includes secondary losses due to halt in production/services provided etc.

SM – Gold sword, three gold stars

Property/infrastructure damage and/or production halt loss of at least 10 billion Euro. This includes secondary losses due to halt in production/services provided etc.

3. Distinguished Wielder of the Furious Scimitar Commendation

The “Distinguished Wielder of the Furious Scimitar Commendation” is awarded to personnel who have initiated a manipulative and destructive attack against an Islamic cultural center or mosque inflicting at least 10 casualties to worshippers/employees. The secondary effects of this attack will be significant as many Muslims will set out on a short or long term Jihadi rampage campaign causing significant and additional destruction and chaos.

Sub category:

WFS – Bronze sword

10 direct casualties

WFS – Bronze sword

50 direct casualties

WFS – Gold sword

100 direct casualties

Secondary effects:

- Violent city wide Islamic reaction: **one star**
- Violent Nationwide Islamic reaction: **two stars**
- Violent Pan European or international Islamic reaction: **three stars**

4. Distinguished Cross Medal

Three variations indicating if the cell is land, sea or aerial based.

Sub category:

- a. Distinguished Infantry Cross Medal:** Awarded for participation in an exceptional infantry/land-based military operation.
- b. Distinguished Navy Cross Medal:** Awarded for participation in an exceptional sea-based military operation.
- c. Distinguished Air Cross Medal:** Awarded for participation in an exceptional aerial military operation.

5. Lord of War Commendation

The candidate has successfully built and used a weapon of mass destruction (WMD) executing/killing at least 10 category A, B or C traitors in the process.

Sub category:

LW – Bronze sword

Involving a conventional WMD, usually a "barrack buster" (fertiliser bomb).

LW – Silver sword

Involving a biological or chemical WMD.

LW – Gold sword

Involving a nuclear WMD.

6. Commendation of Clandestine Logistical Excellence

Awarded for the use and implementation of exceptional logistical skills in a military operation. The candidate has bought the required weaponry, armour and wmd components, preferably in the black market of another European country, and smuggled it across the national border. Furthermore, the candidate has established at least two well hidden/underground armour/explosive/equipment caches preferably in the neighbouring country and used them for storage of his wmd components, weaponry, armour and other essential equipment until he was ready to execute his operation.

Sub category:

CCLE – Bronze sword

Involving conventional weapons/armour without a WMD.

CCLE – Silver sword

Involving conventional weapons/armour with a conventional WMD, usually a "barrack buster" (fertiliser bomb).

CCLE – Gold sword

Involving conventional weapons with an unconventional WMD, biological, nuclear etc.

7. Commendation of the Financier

Sub category:

Commendation of the Financier – Bronze sword

Fund your own cells military operation by your own acquired funds, external capitalisation, credit or through a fund raiser held for a "good cause"; requires funds of at least 10 000 Euro

25 000 Euro	+ 1 bronze star
50 000 Euro	+ 2 bronze stars
75 000 Euro	+ 3 bronze stars

Commendation of the Financier – Silver sword

100 000 Euro

250 000 Euro	+ 1 silver star
500 000 Euro	+ 2 silver stars
750 000 Euro	+ 3 silver stars

Commendation of the Financier – Gold sword

1 million Euro

2,5 million Euro	+ 1 gold star
5 million Euro	+ 2 gold stars
7,5 million Euro	+ 3 gold stars

8. Commendation of Intellectual Excellence

Awarded for the contribution to the PCCTS, Knights Templar or for the National or Pan-European Resistance Movement through significant and long term efforts involving intellectual contributions;

- Patriotic strategy/essay/article writing (intellectual works) for specific nationalist orientated organisations or to media companies, news sites, media sites etc.
- Develop political, rhetorical, organisational or military strategies etc for at least one of the 8 political fronts.

Sub category:

CIE – Bronze sword

Recognised nationally.

CIE – Silver sword

Recognised in several European countries and at least in either the UK, Germany or France.

CIE – Gold sword

Recognised internationally; in several European countries and at least in either the UK, Germany or France + the US + and at least in either Canada, Australia, New Zealand or South Africa.

9. Recruiter Training Commendation (military and civilian)

Recruit training is the initial indoctrination and instruction given to new or potential civilian or military contributors. The candidate has contributed significantly to recruit sympathisers of the cause and coached them in such a fashion that they are contributing directly to the National or Pan-European Resistance Movement in the 8th political front (armed resistance). The process of transforming civilians into soldiers has been described as a form of conditioning in which inductees are encouraged to partially submerge their individuality for the good of the cause. Conditioning is essential for military function because combat requires people to endure stress and perform actions which are simply not present in normal life. Recruit training is absolutely essential in this context.

10. Purple Cross Medal

Awarded to personnel who have been wounded in combat.

Sub category:

Purple Cross – Bronze sword

Light wounds

Purple Cross – Silver sword

Severe wounds

Purple Cross – Gold sword

Crippling wounds – involving amputation of limb, severe burns or severe damage to face.

11. Prisoner of War Medal (military and civilian)

The Prisoner of War Medal may be awarded to any person who was or is a prisoner of war. It is awarded to any person who was or is taken prisoner or held captive while engaged in an action against a category A, B or C traitor or against one of the criminal European multiculturalist regimes.

12. Foreign Campaign Medal

Awarded for exceptional military contributions to members of a cell operating on foreign ground (European countries only). The operation itself must be executed on foreign ground (not just the planning phase).

13. Multi-National Force Medal

Awarded for exceptional military contributions in direct cooperation with foreign nationals (Limited to European cooperation). One of the cell members must be a foreign national.

The 5 basic civilian and military commendations

The 5 basic commendations are awarded as default to all Justiciar Knights who have earned one of the three primary commendations:

- Distinguished Destroyer of cultural Marxism Commendation (DCM)
- Distinguished Saboteur Master Commendation (SM)
- Distinguished Wielder of the Furious Scimitar Commendation (WFS)

4 of these commendations can also be earned for civilian efforts (more on this later).

14. National Defence Service Medal (military)

Awarded for exceptional military contributions against category A, B and C individuals (or their interests) who directly/indirectly propagated or facilitated the general implementation of multiculturalist/cultural Marxist doctrines.

15. Outstanding Volunteer Service Medal (military and civilian)

Awarded for exceptional voluntary contributions for the defence of European identity, culture, traditions, European Christendom (European civilisation) and for efforts against the implementation of Multiculturalist doctrines and ongoing Islamisation. The Justiciar Knight is required to have earned a DCM, SM or WFS Commendation unless he qualifies for non-military efforts.

16. Honourable Crusader Medal (military and civilian)

Awarded for significant contributions/efforts to liberate Europe from Islam. Furthermore, it is awarded for the indirect (P1) efforts to liberate and defend Jerusalem, Constantinople, Coptic Christians, Assyrian Christians, Maronite Christians, Various other Christian/Jewish minorities worldwide (including efforts to drive out Islam from the Balkans, Anatolia or any other Christian territory where Islam is currently the occupational force). Can be awarded to contributors on all 8 fronts (non-PCCTS military or civilian). The Justiciar Knight is required to have earned a DCM, SM or WFS Commendation unless he qualifies for non-military efforts.

17. Legacy of Charles Martel & John III Sobieski Medal (military and civilian)

Awarded for exceptional efforts against the implementation of multiculturalism and therefore against the ongoing Islamisation of Europe. The Justiciar Knight is required to have earned a DCM, SM or WFS Commendation unless he qualifies for non-military efforts.

18. Defender of Christendom Medal (military and civilian)

Awarded for exceptional efforts against the implementation of cultural Marxism (which involves the deconstruction of European Christendom) and therefore for the preservation of European Christendom. The Justiciar Knight is required to have earned a DCM, SM or WFS Commendation unless he qualifies for non-military efforts.

Future Military Service Medals (during and/or after phase 2/3)

19. Multi-Cultural Force Medal (most likely in phase 2 and 3)

Awarded for military cooperation with nationalist Hindu, Buddhist, Jewish and/or atheist forces (non-European) on Hindu, Buddhist or Jewish territory. These efforts must be directed against Jihadi or cultural Marxist forces, personnel or interests.

After phase 3

Europe

- **Liberation of the Balkans Service Medal:** Awarded for assisting to drive out Islam from occupied territory belonging to Serbia and Croatia (Kosovo and Bosnia-Herzegovina).
- **Liberation of Macedonia Service Medal:** Awarded for assisting to drive out Islam from Macedonia.

- **Liberation of Albania Service Medal:** Awarded for assisting to drive out Islam from Albania.
- **Liberation of Southern Russia Service Medal:** Awarded for assisting Russian forces to drive out Islam from southern Russia.

Asia

- **Liberation of Anatolia Service Medal:** Awarded for assisting to drive out Islam from occupied territory belonging to Greece and Armenia.
- **Liberation of Constantinople Service Medal:** Awarded for assisting to drive out Islam from the occupied city of Constantinople.
- **Liberation of India Service Medal:** Awarded for assisting Indian nationalist forces to drive out Islam from Indian territory.
- **Liberation of Thailand Service Medal:** Awarded for assisting Thai nationalist forces to drive out Islam from Thai territory.
- **Liberation of the Philippines Service Medal:** Awarded for assisting Philippino nationalist forces to drive out Islam from the Philippines.
- **Liberation of China Service Medal:** Awarded for assisting Chinese nationalist forces to drive out Islam from China.

Africa

- **Liberation of Southern Sudan Service Medal:** Awarded for assisting Southern Sudanese Christian/animist forces to drive out Islam from Southern Sudan.
- **Liberation of Ethiopia Service Medal:** Awarded for assisting Ethiopian nationalist/Christian forces to drive out Islam from Ethiopia.
- **Liberation of Kenya Service Medal:** Awarded for assisting Kenyan nationalist/Christian forces to drive out Islam from Kenya.
- **Liberation of Southern Nigeria Service Medal:** Awarded for assisting Southern Nigerian nationalist/Christian forces to drive out Islam from Southern Nigeria.

Temporary adoption of readily available commendations/accessories

Considering the fact that there has not yet been established a European Overseer organisation, we have not been able to focus our resources on uniform and commendation (medal/ribbon) design and production. As such, we are left with no choice but to temporarily adopt readily available existing designs from regular armies. Considering the fact that the most readily available commendations are from the US army we will have to adopt some of their military accessories until we have the capacity, organisational structure and funding to design our own. Hopefully, a well funded civilian Overseer organisation will be established by 2020 which will allow us access to authentic and original uniforms with decorations specifically designed for our accomplishments.

Until we are in a situation where we have access to authentic and original medals we will have no choice but to restrict/limit our full size decorations to illustrative ribbons for mounting in ribbon racks.

Ribbon bar mounted on a ribbon rack

Ribbon bars are small decorations that are usually worn by military, police, and fire service personnel or by civilians. Ribbon bars are mainly used when wearing either full decoration, or when wearing medals is considered inappropriate or impractical. Each military force has its own rules on what ribbons are worn in which order of precedence. Some awards are "ribbon only", having no associated medal. Ribbon bars are worn in rows on the chest. The collection of bars is collectively referred to as a "ribbon rack".

Design

The ribbon bar for a particular medal usually matches the ribbon on the medal. For example, the ribbon for the Purple Heart medal is purple with a white bar down the two side edges, and its ribbon bar is similarly purple with a white bar at each end.

Construction

Ribbon bars are today mounted on what is known as a pin backing (three bars per row), which can then be pushed through the fabric of a uniform shirt and secured, with fasteners, on the inside edge. Ribbons may either be individually secured, and then lined up on the shirt, or mass-mounted to a single fastener. Previously, ribbons were sewn to individual garments; individual militaries authorised the ribbons for wear on certain uniforms only; for example, on dress shirts but not on working clothing.

Display

Ribbon bars are normally not worn on utility or combat uniforms, but instead for office or dress occasions. Some countries (such as Cuba) maintain a standard practice of wearing full ribbon bars on combat utility clothing. In other militaries, this is strictly prohibited as the wear of ribbons on combat gear could make higher ranking officers more noticeable as targets, and also negate the effect of camouflage.

3.66 Knights Templar offer 19 different commendations

Ribbons (mounted in a ribbon rack) – illustrating and symbolising our 19 different medals (see our name in relation to original name for ordering purposes)

1. Distinguished Destroyer of cultural Marxism Commendation

1. Army Meritorious Unit Citation



2. Distinguished Saboteur Master Commendation

2. Air Force Distinguished Presidential Unit



3. Distinguished Wielder of the Furious Scimitar Commendation

3. Saudi Liberation of Kuwait With Palm



4 a. Distinguished Infantry Cross Medal

4a. Navy Cross



4 b. Distinguished Navy Cross Medal

4b. Coast Guard Expert Rifleman



4 c. Distinguished Air Cross Medal

4c. Coast Guard Expert Pistol Shot



5. Lord of War Commendation

5. Air Force Combat Action



6. Commendation of Clandestine Logistical Excellence

6. Coast Guard Arctic Service



7. Commendation of the Financier

7. Silver Lifesaving



8. Commendation of Intellectual Excellence

8. Broadsword



9. Recruiter Training Commendation

9. Recruiter Training



10. Purple Cross Medal

10. Purple Heart



11. Prisoner of War

11. Prisoner of War



12. Foreign Campaign Medal

12. Air Force Small Arms Expert



13. Multi-National Force Medal

13. South West Asia Service



14. National Defence Service Medal

14. Valorous Unit Citation



15. Outstanding Volunteer Service Medal

15. Bronze Star



16. Honourable Crusader Medal

16. Air Force Organizational Excellence Award



17. Legacy of Charles Martel & John Sobieski Medal

17. Legion of Merit Ribbon



18. Defender of Christendom Medal

18. Vietnam Presidential Unit



19. Multi-Cultural Force Medal

19. WW1 Victory



Ribbons, ribbon bars and accessories can be ordered from one of the three sites (or any other):

<http://www.iragreen.com/view/884/>

<http://www.marlowwhite.com/awards-decorations.html>

<http://www.usmedals.com/RibbonSelect.aspx?RT=milthin&res=>

Please take precautions and order through your lawyer (or family/friends) after apprehension. Note: order a 20 slot pin rack if possible. You may then cut out as many slots as you need. The following ribbons are slightly larger and come with clips:

Air Force Distinguished Presidential Unit

Army Meritorious Unit Citation

Valorous Unit Citation

Vietnam Presidential Unit

You can see how the ribbons will look using this rack builder:

<http://www.armyawards.com/awards.shtml>

See other related sites:

<http://www.collectors.demon.co.uk/medal-Ribbons.html>

Blazer/military uniform badges

<http://www.thetreemaker.com/custom-blazer-badge.html>

<http://www.eastcoastpromotions.net/>

<http://www.sheba-imports.com/blazer.html>

<http://www.swyrich.com/ica/xq/asp/qx/blazerbadges.htm>

<http://www.hongkongcustomtailor.com/products.asp?maincatid=7>

UK medal and insignia supplier

<http://www.worldmedals.co.uk/Rib/new.htm>

<http://www.worcmedals.com/dsShop.aspx?shopid=1>

India – accessories: buttons, badges, crests, emblems etc.

<http://www.tradeindia.com/Seller-1841758-2297294-787-CATALOGS/Badges-Emblems.html>

http://anantcreation.tradeindia.com/Exporters_Suppliers/Exporters/hp/16588/home_page.html

<http://www.tradeindia.com/Seller-1360937-1425191-1298-1HS/Military-Defence-Supplies/RAWAT-ENTERPRISES.html>

<http://www.shaheenart.com/badges.htm>

<http://www.tradeindia.com/Seller-360226-347318-787-TL/Badges-Emblems/AMIT-HANDICRAFTS.html>

<http://www.indiamart.com/amithandicrafts/>

<http://www.tradeindia.com/Seller-2533845-2179336-787-TL/Badges-Emblems/INDIAN-ART-COMPANY.html>

<http://www.tradeindia.com/Seller-1494061-1721668-787-FEATUREDPRODUCT/Badges-Emblems/INTERNATIONAL-KNITWEARS.html>

<http://www.tradeindia.com/Seller-1814395-2260668-1298-CATALOGS/Military-Defence-Supplies/KHULLAR-INTERNATIONAL-INDIA-.html>

http://militaryuniform.tradeindia.com/Exporters_Suppliers/Exporter19558.321999/military-uniform-button.html

Price estimate on all orders required (shipping included):

- Ribbons, white gloves and required accessories etc. including and tax: 120 USD
- 3 breast jewels: 35 British pounds (60 USD)
- USMC dress blues jacket: 80-350 USD
- USMC black Sam Browne belt: 130-200 USD
- 2 collar crosses (pins) and 7 large, 14 small buttons: 100 USD
- Creation of hand sown badge (India): 200-300 USD

- Gold aiguillette: 70-100 USD
- Epaulettes (shoulder boards): 50-120 USD
- Tailoring services: 200 USD

Total: 1010-1650 USD for complete uniform jacket with decorations and insignias.

Wear and Appearance of Military or Civilian Insignia



Medals are traditionally awarded in standard size and miniature size together with a diploma.

Miniature medals are replicas of regular size medals, made to a scale of one-half the size of the original. The only exception is the Justiciar Knight Order and two other breast jewel commendation, for which there is no miniature. Full size medals are usually too large to be worn. As we do not have access to our original designs we wear ribbons instead.

Medal/ribbon/apparel manufacturers (customisation available for larger orders):

<http://www.masoniccollection.com/>
<http://www.usmedals.com>
<http://www.marlowwhite.com/>
<http://www.collectors.demon.co.uk>
<http://www.militaryclothing.com>
<http://www.freemasonstore.com/>

3.67 Knights Templar uniform

The general public is used to seeing police or military personnel in uniform. There are sports uniforms, religious robes, academic gowns, and once there were formal black jackets and striped trousers for stockbrokers and members of the financial community. The original Knights Templar also had its modes of attire, though rarely paraded in public but donned at Lodge meetings to the extent that one of the military officers had the duty "to see the brethren properly clothed".

A uniform is a set of standard clothing usually worn by members of an organisation while participating in that organisation's activity. Modern uniforms are worn by armed forces and paramilitary organisations such as police, emergency services, security guards, in some workplaces and schools and by inmates in prisons.

In the case of uniforms worn by military personnel or civilian officials, there are generally several kinds of uniforms:

- Battledress, khakis (typical camouflaged war uniforms);
- Dress uniform: worn at ceremonies, official receptions, and other special occasions; medals are typically worn.
- Everyday work uniform, where earned medals are typically replaced by ribbon bars;

Justiciar Knights and the PCCTS, Knights Templar uniform

Due to the clandestine nature of our military order and operations during phase 1, Justiciar Knights do not normally use typical battle dresses (battle uniforms). Instead we adopt our enemy's uniforms (usually police "battle uniforms/armour") and copy their exact insignias and IDs in order to cause confusion and sow hesitation. By doing this we increase each Justiciar Knight's chances to effectuate his operation successfully before he is apprehended, is killed or can escape.

Furthermore, even if we were to use our own battle uniforms, wearing a camouflage suit in an urban environment would be pointless. Also, using a battle uniform in an urban area (or anywhere else) would only raise suspicion and alert our enemies and thus nullify the element of surprise.

The uniform of the PCCTS, Knights Templar is therefore a dress uniform which will be used during special occasions. Our dress uniform during phase 1 will be used for the sole purpose of representing the authority of our military order and tribunal during trial. The likely destiny of any Justiciar Knight in phase 1 is either death through martyrdom or apprehension. In the latter scenario we use our uniform with decorations during our trial to show clearly that we do not acknowledge the illegal regimes operating in Western Europe. After all, the PCCTS, Knights Templar is the highest political and military authority in Western Europe. During trial, we clearly demonstrate this by demanding a full capitulation from the criminal multiculturalist regime to our patriotic forces. Obviously, this is not likely to happen during phase 1. Nevertheless, it is still an important formality required from all Justiciar Knights in phase 1.

End note: you may see a picture of the Knights Templar dress uniform at the last pages of the compendium.

PCCTS, Knights Templar ranks - insignias

A Justiciar Knight Commander wears epaulettes (shoulder boards) with a gold cross on red background and a gold aiguillette. The use of an aiguillette is reserved for officers only (commander and grand master).

A Justiciar Knight Operative wears epaulettes with a gold cross on purple background.

Justiciar Knight Operative:



Justiciar Knight Commander:



National Grand Master Knight Commander:

Future rank – P1/P2/P3



Pan-European Grand Master Knight Commander:

Future rank – P2/P3



Note: apprehended individual(s) may gain a tactical advantage during an investigation or during a trial using incorrect rank distinction. An apprehended Justiciar Knight may therefore pose as a commander or vice versa to confuse and fool the system protectors (police) if somehow desired.

The dress uniform of the PCCTS, Knights Templar consists of the following parts:

- A stripped USMC dress blues jacket – dark blue/black (remove buttons and other insignias as we will apply our own)
- Dark blue/black dress pants
- Black dress shoes
- White gloves (preferably leather)
- A USMC version Sam Browne belt (black)
- Gold aiguillette, British officer version (worn on the left side, opposite side of decorations), for officers only

Decorations/specific PCCTS, Knights Templar insignias:

- Knights Templar Commander Epaulettes (shoulder boards) – gold cross on red background (commander), gold cross on purple background (operative)
- Badge of the Justiciar Knight (cross of the martyrs impaling a skull) worn on your right upper arm

- Your national flag, worn on your left upper arm (your family coat of arms may be applied below the flag)
- 2 x red Knights Templar collar crosses
- Knights Templar gold buttons - IHSV with a cross, 6 large, 12 small
- Ribbons on rack, worn on the right side of your chest (slightly above your heart)
- The "Justiciar Knight Military Order breast jewel", Knight of Malta breast jewel and the "Red Cross of Constantine breast jewel" are worn just below your ribbon rack

Describing the individual parts of the Justiciar Knight uniform

USMC dress blues jacket

The uniform jacket is an elaborate uniform worn for formal or ceremonial occasions. Its basic shape and form is a copy of older European versions and dates back to the 18th century British and French army uniforms. The PCCTS, Knights Templar has adopted the stripped version of the USMC dress blues jacket due to the classic design and availability. When you order the jacket, you strip it of accoutrements (buttons and insignias) and apply our own.

The US size may be followed by a letter designation S = Short, R = Regular, L = Long.

Euro 42 44 46 48 50 52 54 56 58

Japan S S S M L L LL LL LL

US/UK 32 34 36 38 40 42 44 46 48

A USMC dress blues jacket can easily be bought on eBay or in one of many stores:

<http://www.usmcblues.com/blues.html>

Cost varies from 45 USD for a used jacket to 250 USD for a new set. You do not need the hat, the belt and the pants so you obviously do not have to order a full set.

USMC version Sam Browne belt (black)

The Sam Browne belt is a wide belt, usually leather, which is supported by a strap going diagonally over the right shoulder. It is most often seen as part of a military or police uniform.

Origins

Sam Browne was a British army officer serving in India in the 19th century. In those days officers always carried a sword into battle. It hung from a little strap on the waistbelt, called a 'frog'. However, the scabbard tended to slide around a lot when they charged the enemy, meaning that it had to be steadied with the left hand. During the mutiny of 1857 in India, Captain Sam Browne received two sword cuts, one on the left knee and one which severed his left arm at the shoulder. He survived the injuries but

without a left hand, he found that he was now unable to control his sword. He came up with the idea of wearing a second belt which went over his right shoulder and held the scabbard in just the spot he wanted. Other officers began wearing the extra belt themselves, and soon it became part of the standard uniform.

Usage

Due to its former use as equipment for carrying a sword, it is traditionally only worn by those to whom a sword would historically have been issued, i.e., officers. Throughout most of its modern history, however, its main function has been to carry a pistol, and it was found to be particularly useful with the heavy pistols typically used during the first part of the 20th century.

The Sam Browne belt is today used by many national armies, the British and US army being the most notable. In addition it is used by many police forces around the world.

Safety

Sam Browne belts have been criticised as unsafe during a close physical altercation. An assailant can easily grab hold of the belt and throw the wearer off balance, throw the wearer to the ground, or even choke the wearer by ripping one end of the belt from its mooring and quickly wrapping it around the neck. Some criminals became so adept at using a police officer's Sam Browne belt against him that police departments began ordering it discontinued as part of patrol gear. It remained, however, as a ceremonial/decorative piece of gear.

The USMC version Sam Browne belt can be ordered here (or in several other stores):

<http://www.uniforms-4u.com/p-usmc-sam-brown-belt-6219.aspx>
EBay usually offers cheaper versions. Price varies from 80-150 USD.

Gold aiguillette on Justiciar Knight Uniform

A gold aiguillette is a feature on the Justiciar Knight officer uniform (for commanders and grand masters only).

An aiguillette is an ornamental braided cord most often worn on uniforms where it will denote an honour. Originally, the word "aiguillette" referred to the lacing used to fasten plate armour together. As such, a knot or loop arrangement was used which sometimes hung from the shoulder.

Aiguillettes should not be confused with lanyards, which are cords also worn from the shoulder (or around the neck), but do not have the pointed aiguillette tips (see Aiguillette (ornament)) and are usually of fiber rather than gold or silver wire, and often not braided.

A series of legends has developed about the origin of aiguillettes. One account relates that when certain European troops behaved reprehensibly on the field of battle, their commander decided to hang certain of them. The troops asked to be given a chance to redeem themselves and started wearing a rope and spike about their shoulders with the promise that if they ever behaved badly again, they were ready to be hanged on the spot. It is further related that these troops covered themselves with glory thereafter.

A gold aiguillette can be ordered here (or in several other stores):

<http://www.uniforms-4u.com/store/search/search.aspx>

<http://www.marlowwhite.com/>

Select the British officer version preferably. Ebay usually offers cheaper versions. Price varies from 40-150 USD. Choose mylar over nylon (I personally prefer mylar over bullion as well).

1. <http://en.wikipedia.org/wiki/Aiguillette>

Knights Templar epaulettes (shoulder boards)

Epaulettes are a type of ornamental shoulder piece or decoration used as insignia of rank by armed forces and other organizations. Colloquially, the word has also come to refer to some types of shoulder strap.

Epaulettes are fastened to the shoulder by a shoulder strap, a small strap parallel to the shoulder seam and the button near the collar, or by laces on the underside of the epaulette passing through holes in the shoulder of the coat. The placement of the epaulette, its color and the length and diameter of its bullion fringe are used to signify the wearer's rank. At the join of the fringe and the shoulderpiece is often a metal piece in the form of a crescent. Although originally worn in the field, epaulettes are more common today on dress or ceremonial uniforms. Shoulder straps are also found on civilian clothing that derives from military uniforms such as the trench coat, the safari jacket and other garments.

The PCCTS, Knights Templar use hand embroidered epaulettes on our uniform with golden bullion threads on red velvet background (commander or purple velvet background (operative)). A golden templar cross is embroidered in the middle of a frame. There is black fabric on the back with Velcro (hook and loop). One part of Velcro is sewn on the back of the patch and the other part is free.

Length: 10,2 cm, width: 5,1 cm (2 x 4 inches)

PCCTS, Knights Templar epaulettes can be ordered here (or in several other stores):

<http://stores.shop.ebay.com/PADAMNABH-EXPORTS>

Price 28 USD incl. shipping directly from India. Other stores charge 60-110 USD

<http://www.lafSCO.com/knighttemplar.html> (KT-108B)

<http://en.wikipedia.org/wiki/Epaulettes>

Jacket Buttons

Jacket buttons are applied illustrating the following: IHSV (under this sign conquer) with a cross, gold buttons – 6 large, 12 small

PCCTS, Knights Templar buttons can be ordered here (or in several other stores):

<http://www.lafSCO.com>

<http://www.themaac.com/ktemp/ktaccessories.html>

White Gloves

The PCCTS, Knights Templar have included white gloves as a feature to our uniform.

Symbolically, white gloves represent an important aspect in our efforts. Gloves are a necessary part of our wear to protect our hands and the hands are critical to our work. The hands are the source of our labour and represent the builder within us. Not only to protect the hands are gloves needed, they are to preserve the cleanliness of the hands, thus insuring the perfection of the work. The White Gloves are to represent the innocence of the acts performed and purity and attention to detail in action.

Beyond that expression of innocence is a deeper lesson for us. Our hands are the source of our actions and we should guard them accordingly. The left hand serves as a constant reminder of equity and justice toward all. Always maintaining a true and sincere freedom from bias, we should strive to be fair in all of our actions. The right hand is recognised as the seat of fidelity and, since fidelity means a strict faithfulness to an obligation, trust, or duty, we must pay due attention to the protection of the right.

The White Gloves should always remind us of dignity and obligation and that we should always strive to carry out our work with extreme attention to detail.

White Gloves can be ordered from this shop or a multitude of others:

<http://www.masoniccollection.com>

The badge of the Justiciar Knight

The badge of the Justiciar Knight illustrates a white skull, marked with the symbols of communism, Islam and Nazism on the forehead, impaled on the cross of the martyrs. The background is black. The badge of the Justiciar Knight illustrates our patriotic struggle/ opposition against all three primary hate ideologies of our time: Islam, Multiculturalism (Communism) and Nazism.

The badge of the Justiciar Knight is worn on the left upper arm while the national flag is worn on the right upper arm.

Our military uniform with commendations, insignia and badges should be worn during the trial after a successful operation in cases where the Justiciar Knight survives. The commendations and insignias should be provided post-operation by an Overseer.

I ordered two badges from: Indian Art Company (indianartco@gmail.com). They have a high resolution image on file (file name: dagger and skull). The two badges cost me a total of 220 USD (150 USD for badges and another 70 USD for Fedex shipping).



Title: Sir Knight

The title: Sir Knight (Lady for females) will be awarded to any and all individuals who have martyred themselves for the cause, the principles of the PCCTS, Knights Templar. The title is a post-mortem award.

3.68 Knights Templar honorary tombstone

The PCCTS, Knights Templar honorary tombstone is created to honour certain martyrs of the European Resistance Movement. It is usually the Overseers task to award, produce, distribute and handle logistical arrangements in regards to the Knights Templar tombstone.

The overseer will take the initiative to create the Justiciar Knight tombstone and ensure that it is offered to the next of kin.

The Western European regulations concerning the violation of graves protect any grave stone and prevent the government from removing/alter the text on any stone. As such, it is a great way to tell the world exactly what you feel(felt), statements otherwise not possible to display.

Front side of the tombstone

The front side of the tombstone may be decorated with the following text:

BORN INTO MARXIST SLAVERY ON XX.XX.19XX. DIED AS A MARTYR FIGHTING THE "WESTERN EUROPEAN COUNTRY" MARXIST CRIMINAL REGIME. SIR KNIGHT "FULL NAME", A JUSTICIAR KNIGHT COMMANDER (or operative) FOR THE PAUPERES COMMILITONES CHRISTI TEMPLIQUE SOLOMONICI, KNIGHTS TEMPLAR AND A LEADER (or member/operative) OF THE ARMED NATIONAL RESISTANCE MOVEMENT, DIED AS A MARTYR FIGHTING FOR THE FREEDOM OF HIS PEOPLE AND THE SOVEREIGNTY OF HIS FATHERLAND ON XX.XX.2XXX. ALL FREE EUROPEANS ARE IN YOUR ETERNAL DEBT.



Back side of the tombstone



The back side of the tombstone has a motif or sculpture of a knight's armour (this may also be replaced with a shield) displaying three numbers, three significant years marking the two most important battles of Europe (732 and 1683) and includes a prophecy of the third (2083). The back side may be decorated with the following text:

MARTYRDOM BEFORE DHIMMITUDE! NEVER SURRENDER!

The quote "never surrender" is from a statement made by Winston Churchill.

IHSV or IN HOC SIGNO VINCES means "under this sign, you will conquer" and was coined by the first Christian Roman emperor Constantine I in 312 AD.

Describing the primary features of the Justiciar Knight tombstone

The Doric base

The simple Doric base of the stone symbolises the Justiciar Knights voluntary path consisting of struggle, poverty and suffering. He ignores the path of decadence and instead chooses the difficult path of sacrifice because serving his people and the sovereignty of his country is more important to him than a life of self-centeredness.

Corinthian columns

The rich and slender Corinthian columns (either 2 or 4) represent our collective and societal pursuit for perfection. The pursuit for perfection should always be the primary individual, societal and civilisational goal.

The sword impaling the tombstone

Generally, the sword symbolises a high ranking, or otherwise significant military person. The sword should represent your region/country and should be a high quality replica from an important epoch in your national history. Every sword should be distinctive and correlate to the national historical traditions of the Justiciar Knight in question.

Distinctive symbols may be added

Distinctive national, regional, cultural or religious symbols may be added to the base design of the tombstone. For example; an individual who would like to emphasise Odinic cultural traditions may add runes or other related symbols on the back side of the tombstone. Justiciar Knights should make requests such as these in their will/testament. Nationalist symbols can be selected but any political symbols related to Nazism are strictly prohibited.

Common gravestone symbols:

- Angel - Flying it would mean rebirth or resurrection; Trumpeting means resurrection; Weeping symbolises grief and mourning. An angel is the messenger between god and man.
- Arches - Victory in death.
- Arrow - Mortality; martyrdom.
- Bird - Eternal life. If it's flying, it stands for eternal life.
- Bugles - Resurrection; the military.
- Columns - Heavenly entrance.
- Crown - Glory of life after death; righteousness.
- Eye of God - God sees all.
- Grim Reaper - Death personified.
- Hand on the neck - Sacrifice.
- Laurel leaves and branches - represent special achievement and distinction.
- Laurel branch and leaves - Special achievement, distinction; success; heroism.
- Lion - Courage.
- Pyramid - Eternal life, resurrection
- Scythe - Death; the divine harvest.
- Shield - Strength and courage. May indicate military service.
- Skull - Mortality.
- Skull/Crossed bones - Death.
- Skeleton - Life's brevity.
- Snake(tail in mouth) - Everlasting life in heaven.

- Winged Skull - Flight of the soul from mortal man.
- Wreath - Victory.
- Wreath on Skull - Victory of death over life.

3.69 Background information – symbolism of insignia

History of the Red Cross of Constantine - IHSV, the Labarum

The PCCTS, Knights Templar awards the Red Cross of Constantine award under the name;

Constantine I

Caesar Flavius Valerius Aurelius Constantinus Augustus^[3] (27 February c. 272^[2] – 22 May 337), commonly known in English as Constantine I, Constantine the Great, was Roman emperor from 306, and the sole holder of that office from 324 until his death in 337. He is best known for being the first Christian Roman emperor.

The Byzantine liturgical calendar, observed by the Eastern Orthodox Church and Eastern Catholic Churches of Byzantine rite, lists both Constantine and his mother Helena as saints. Although he is not included in the Latin Church's list of saints, which does recognise several other Constantines as saints, he is revered under the title "The Great" for his contributions to Christianity.

Constantine also transformed the ancient Greek colony of Byzantium into a new imperial residence, Constantinople, which would remain the capital of the Eastern Roman Empire for over one thousand years. His most famous building projects include the Church of the Holy Sepulchre, in Jerusalem and Old Saint Peter's Basilica. Old Saint Peter's Basilica was the building that once stood on the spot where the Basilica of Saint Peter stands today in Rome

Red Cross of Constantine

The Red Cross of Constantine is one of the earliest Christian symbols of Knighthood and was introduced by the Roman emperor Constantine I in the year 312. It originates from the labarum^[1] which was a *vexillum* (military standard) that displayed the "Chi-Rho" symbol, formed from the first two Greek letters of the word "Christ" - *Chi* (χ) and *Rho* (ρ). Since the vexillum consisted of a flag suspended from the crossbar of a cross, it was ideally suited to symbolise crucifixion.

“When the enemy shall come in like a flood, the Spirit of the LORD shall lift up a standard against him”

Isaiah 59:19

By tradition the Labarum was ordered to be carried before the legions of Constantine after he had a vision in the heavens of a "cross of light" and the Greek words EN TOUTO NIKA (conquer by this) and a subsequent nocturnal encounter with the Lord Jesus Christ who told him to conquer under His sign. Constantine directed that a spear be covered in gold with a crosspiece representing a cross, and that the image of the chi-rho, the first two Greek initials in the name Christ, be placed above the crosspiece encircled by a

crown/wreath. A banner hung from the crosspiece of imperial (Tyrian) purple and gold cloth. Constantine had this Labarum carried before his legions as he defeated a much larger pagan Roman force outside of Rome. He directed some of his men to place the chi-rho on their shields and he wore it on his helmet. Constantine selected 50 men, called the Praepositi Labarorum, to form a colour guard to protect the Labarum. Constantine later recognised these men and organised them into the Golden Chivalry - Torquati (so named for their gold collars) and Perfectissimi (Most Perfect Knights).

IHSV – In Hoc Signo Vincet

In hoc signo vincet is the rendition in Latin of the Greek phrase "ἐν τούτῳ νικᾷ", en toutōi nika, meaning "with this as your standard you shall have victory".

According to legend, Constantine I adopted this phrase, as a motto after his vision of a chi rho on the sky just before the Battle of Milvian Bridge against Maxentius in the year 312. In later periods the christogram "IHS" both stood for the first three letters of "Jesus" in Latinised Greek (Latinised IHSOVS) and "in hoc signo" from the legend.

The initials "IHSV" is thus taken from the Latin phrase "IN HOC SIGNO VINCES" (Under this Sign Conquer).

1. <http://en.wikipedia.org/wiki/Labarum>
2. http://en.wikipedia.org/wiki/In_hoc_signo_vincet
3. http://en.wikipedia.org/wiki/Constantine_I

Explaining columns - classical order – the primary ancient styles of classical architecture

A classical order is one of the ancient styles of classical architecture, each distinguished by its proportions and characteristic profiles and details, and most readily recognisable by the type of column employed. From the sixteenth century onwards, architectural theorists recognised five orders. Each style has its proper entablature, consisting of architrave, frieze and cornice.

Ranged in the engraving from the stockiest and most primitive to the richest and most slender, they are: Tuscan (Roman) and Doric (Greek and Roman, illustrated here in its Roman version); Ionic (Greek version) and Ionic (Roman version); Corinthian (Greek and Roman) and composite (Roman). Initially, there were just three ancient and original orders of architecture, the Doric, Ionic and Corinthian, which were invented by the Greeks. To these the Romans added the Tuscan, which they made simpler than the Doric, and the Composite, which was more ornamental than the Corinthian.

The order of a classical building is like the mode or key of classical music, or the grammar and rhetoric of a written composition.

There are three parts of a column. A column is divided into a shaft, its base and its capital. In classical buildings the horizontal structure that is supported on the columns like a beam is called an entablature. The entablature is commonly divided into the architrave, the frieze and the cornice. To distinguish between the different Classical orders, the capital is used, having the most distinct characteristics.

Military salutation of the PCCTS, Knights Templar

The military salutation of the PCCTS, Knights Templar is the clenched fist salute. The raised fist salute consists of raising the right arm with a clenched fist (preferably with a white glove). The clenched fist symbolizes strength, honour and defiance against the Marxist tyrants of Europe while the white glove symbolizes purity, duty, kinship and martyrdom. Using the right arm symbolizes the tradition of the "Right Opposition". The salutation is in line with traditional usage, as we regard the present ruling multiculturalist elites in Western Europe as left wing fascists. Our military salutation has nothing to do with the so called "white power" salutation or the "Roman Salute" (Saluto Romano), where the palm is faced down with fingers touching, often known as the Hitler Salute used by National Socialists.

3.70 Court/trial statements for Justiciar Knight and other patriotic resistance fighters after an operation

These statements are meant to be used after a successful operation. If you are arrested during the planning or acquisition phase then, obviously, ignore the following approaches and rather focus on getting acquitted so you may implement your operation B.

A trial is an excellent opportunity and a well suited arena the Justiciar Knight can use to publicly renounce the authority of the EUSSR/USASSR hegemony and the specific cultural Marxist/multiculturalist regime. After all, this hegemony is nothing more than a global criminal network consisting of fundamentally undemocratic, anti-national dictatorships. The individual countries in this cultural Marxist/multiculturalist criminal network are not democracies and have not been real democracies since perhaps the 1950s. Instead they are dictated by a small elite of political and cultural leaders who deliberately use the state institutions and media companies to indoctrinate and control their own people. The accused should use this opportunity to present all available documentation, illustrations and proof included in this compendium (2083 – A European Declaration of Independence) to claim his innocence. However, he should also at a later stage in the trial demand freedom on behalf of his people and demand that the regime in question immediately and without hesitation capitulates to the pan-European tribunal – PCCTS, represented by the accused, the Justiciar Knight and the national patriotic forces he indirectly controls. The Justiciar Knight must demand the right to form a cultural conservative tribunal consisting of the 20 most dedicated and trustworthy cultural conservative/patriotic leaders in the country. Furthermore, he must demand that that the national parliament immediately transfers all political powers to this newly established tribunal/cabinet. The Justiciar Knight must also demand at least 20 hours of unrestricted access to the national broadcasting company in order to consolidate and rally an initial and loyal patriotic military force (2000 should be a benchmark depending on the size of the country). The Justiciar Knight and the newly established tribunal will then appoint one trustworthy individual in his newly appointed cabinet to be the new national military commander with control of the national regular military forces. Martial law must be declared in this transitional period. (See relevant phase 3 strategies for more detailed descriptions).

By the time you are done presenting your demands, the judges and the trial audience will probably laugh their asses off and mock you for being ridiculous. Nevertheless, it is important to ignore the ridicule and remain firm and focused. After all, it is what we in fact expect to happen one day. If we truly believe that, then more people will as well. It might sound completely ridiculous and funny to most people today. But by presenting the following accusations and demands in all seriousness we are indirectly conditioning everyone listening for the conflicts and scenarios ahead. They will laugh today, but in the back of their minds, they have an ounce of fear, respect and admiration for our cause and the alternative and authority we represent. Because they know that it is not completely unlikely that the scenario you just described will in fact happen one day in a not too distant future.

So the key word is “conditioning”, through indirect psychological warfare, directed at our enemies by presenting them with given scenario. We are thus indirectly preparing not only our enemies but our people for what lies ahead. Do not whisper these accusations and demands but tell them out loudly and proudly.

Opening statement – Knights Templar trial

An opening statement is an introductory statement made by the attorneys for each side at the start of a trial. The opening statement, although not mandatory, is seldom waived because it offers a valuable opportunity to provide an overview of the case to the jury and to explain the anticipated proof that will be presented during the course of the trial.

The primary purpose of an opening statement is to apprise the trier of fact, whether jury or court, of the issues in question and to summarise the evidence that the party intends to offer during the trial. The Supreme Court has characterised an opening statement as "ordinarily intended to do no more than to inform the jury in a general way of the nature of the action and defence so that they may better be prepared to understand the evidence"

Most practitioners and legal scholars agree that an effective opening statement is vital to the trial process. The importance of an opening statement has been established by studies that showed that 80 percent of jurors' ultimate conclusions with respect to the verdict corresponded with their tentative opinion after opening statements. This is because an effective opening statement establishes the facts of the case and sets forth a legal theory and explanation for why the attorney's client should prevail.

Using the court proceedings as a platform to further our cause

The goal for the European resistance fighter is not to win the trial but to present all available evidence, presented in this compendium, and his cause in the most favourable way in order to help generate a maximum amount of sympathisers and supporters for the national and/or European patriotic resistance movement. The judges will not be sympathetic towards you because they are, after all, representatives of the regime we wish to defeat. After a successful operation, allowing capture and the subsequent court proceedings may presents several propaganda opportunities. The trial itself may not end up as anything else than a formality where the goal can be to change the law, forcing the parliament of that country to introduce the death penalty, or harshen the penal laws in other ways. Indirectly forcing the parliament of your country to change the laws will be an indirect victory to our movement because it will provide significant media coverage of our cause and thus will contribute to future recruitment efforts. Devastating attacks will develop into an existential conflict between the regime and the resistance movement where the regime ultimately will lose or will be forced to use Stalinist methods. In both cases, they will eventually lose.

Example - opening statement for Justiciar Knights or other European resistance fighters:

To the jury and/or members of the court; I am standing here today as a Justiciar Knight Commander of the PCCTS, Knights Templar, a pan-European organisation which is a part of the patriotic National Resistance Movements in all Western European countries. I represent the highest national military and political authority considering the fact that we are the only military force in this country that represents the free patriotic people, as we are not on the pay roll of the category A and B traitors that you refer to as your superiors. When I speak, I speak on behalf of millions of Europeans who does not want to see their culture and territorial rights taken from them, who does not want to live under current or future dhimmitude and who does not accept that their own leaders are selling them against their will to Islamic slavery.

The current multiculturalist regimes of Western Europe are not at all democratic, this country is not democratic. They haven't been democratic since the 1950s. There is no basis for democracy when all state institutions including schools, universities deliberately use advanced brainwashing techniques (as will be described later) to condition the people

from resisting their own annihilation through the implementation of cultural Marxism/multiculturalist doctrines. Furthermore, there is no basis for democracy when 99% of all journalists support and propagate multiculturalism. There is no basis for democracy when all patriots and nationalists are ignored, ridiculed or persecuted. Factors such as these and many more have resulted in the Marxist tyranny we live under today. The political and cultural elites are deliberately selling their own people into Islamic slavery by allowing demographical warfare.

Thomas Jefferson, the third President of the United States and the author of the US Declaration of Independence, stated;

"The tree of liberty must be refreshed from time to time with the blood of patriots and tyrants."

He also wrote:

"That whenever any Form of Government becomes destructive of these ends, it is the Right of the People to alter or to abolish it, and to institute new Government, laying its foundation on such principles and organising its powers in such form, as to them shall seem most likely to effect their Safety and Happiness. [...] It is their right, it is their duty, to throw off such Government, and to provide new Guards for their future security."

Refreshing the tree is now long overdue as our countries are in a rapid state of disintegration. The intention of the National Resistance Movement is to refresh the tree of liberty, and obviously not to cut it down. Refreshing the tree of liberty involves a coup supported by a significant portion of European patriots. Many of us will have to sacrifice our life for the cause in order to destroy the tyrants of our time. It is impossible to guarantee a democratically sanctioned coup as we have to keep in mind that Europeans have been brainwashed now for two generations. Many will oppose us for our stance and call us fascist. Nevertheless, it is essential to acknowledge and understand that we are not.

All coups involve the temporary suspension of the constitution. Thomas Jefferson himself knew that. However, the goal of the coup is as I said not to chop down the tree of liberty but to refresh it.

I would like to begin by saying that of all our attainments, the freedom of our people is the most precious and the most vulnerable. Preserving our freedom and sovereignty is what many of our forefathers dedicated their lives to and what so many thousands of our people have given their lives for. Our freedom, national identity and our culture in this country is the fruit of centuries even millennia's of struggles. It is the result of a history that has no equal and has brought us to where we are today. I will present evidence proving that the freedom of our people, our culture, our traditions, our Christendom and our national identity is in the process of being deconstructed by cultural Marxists and multiculturalists in our country.

Before I continue I would like to read a quote from John Stuart Mill, a former English Member of Parliament and influential British thinker:

"A person may cause evil to others not only by his actions but by his inaction, and in either case he is justly accountable to them for the injury."

I will prove that these cultural Marxists infiltrated our state institutions after WW2, especially our schools, universities and the media. I will prove that our political system referred to as a democracy has over the last 6 decades developed into a cultural Marxist dictatorship controlled by a group of multiculturalist elites whose plans consist of the deconstructing our country's traditions, national identity and even our nation state. The most influential of these individuals are referred to as category A and B traitors. This traitorous elite now controls a majority of our state institutions, including the media and our courts. I will prove that they have deliberately and systematically undermined this country and their day to day betrayal continues to weaken the cultural defences of our country.

By deconstructing our cultural defences, these category A and B traitors have laid the foundation for cultural conquest, but it doesn't end there. These category A and B traitors continue to facilitate and allow the ongoing Islamic colonisation of our country, a process better known as Islamic demographic warfare. This Islamic demographic warfare will eventually lead to the enslavement of our people under the Islamic Ummah. Due to the actions of these category A and B traitors we will end up as the persecuted Christian minority in Lebanon. Didn't you know that Lebanon was once a Christian country with 80% Christians in 1911? I expect that you knew that. However if you were unfamiliar with the successful Jihad in Lebanon I will present 10 other historical examples later on.

The following statement was written by Karl Popper, a philosopher at the London School of Economics:

"If we extend unlimited tolerance even to those who are intolerant, if we are not prepared to defend a tolerant society against the onslaught of the intolerant, then the tolerant will be destroyed, and tolerance with them.

We should therefore claim, in the name of tolerance, the right not to tolerate the intolerant."

I will prove that the only pragmatic approach, the only hope our people have of preventing the future enslavement of our people and preventing the ongoing cultural and demographical genocide is for every European to do what is required of him. Every European has not only a right but a duty to contribute to the efforts of our National Resistance Movement through armed struggle against all category A and B traitors. The PCCTS and the Justiciar Knights represents the highest military authority in this country because we are the only military force that acts in the interest of our people. We are the true manifestation of the will of our people which cannot be said about our regular national army as they are controlled by the multiculturalist category A and B traitors we wish to defeat.

The individuals I have been accused of illegally executing are all category A and B traitors, guilty of high treason and condemned to death by the highest legal authority in Europe and our country. This authority is known as the military and criminal tribunal; PCCTS. All the individuals I have been accused of illegally executing have deliberately used their influence in a way which makes them indirectly or directly guilty of charges 1-8 which will be presented later.

The evidence I will present will prove not only that I am innocent of the crimes I have been accused of. It will prove that we, as the highest military authority in this country have the right to temporarily suspend the constitution and to seize political and military control of our country until all category A and B traitors have been hunted down and executed. There are approximately xxxx category A and B traitors operating freely within the borders of our nation. I will get back to this point later.

The question that many now ask themselves is the following:

Am I a Sitting Bull or a Hitler of our time? As you already know, Sitting Bull was a celebrated hero, a Native American Chief who fought on behalf of his people against General Armstrong Custer and the US force. Ask yourself, who is the Hitler of the two? Sitting Bull or General Custer? Was Sitting Bull a terrorist because he fought for the indigenous rights of his people or was he a hero? That is the question that you will decide during this trial.

We, the armed European Resistance Movements, are in fact fighting for our indigenous rights (compared to the Islamic terrorists who are fighting for world domination – a global Caliphate based on Sharia law). An individual fighting for his indigenous rights is NOT a terrorist as history clearly proves. We are no more terrorists than the indigenous Brits who fought against the imperialistic Roman invaders, or the Americans who fought against English rule. We are no more terrorists than Sitting Bull, Crazy Horse or Chief Gall who fought for their people against the imperialist General Armstrong Custer.

WE are the Sitting Bulls, Crazy Horses and Chief Galls of our time and the imperialistic Custer's of our time are called Barroso, Blair, Brown, Merkel and Sarkozy.

We, the PCCTS, Knights Templar and the Justiciar Knights of Europe and this country have dedicated our lives to defend and sacrifice ourselves for the freedom of our people, our culture, Christendom and our nation. We know what the risks are and we willingly pay the price for that every day. We do not complain about it; it is our own decision. It is my duty, as a Justiciar Knight of the European Resistance Movement to defend my people, my country and my culture from gradual systematic and deliberate genocide and this is the reason why I am standing here today. I know that the truth I represent is tough and hard to comprehend and accept in our politically correct times. But the majority of free and patriotic Europeans will learn that what I say here today is the truth. We have the people on our side; we have the truth on our side. What do you have?

It is every Europeans duty to defend their people and country against the ideology of genocide, conquest and destruction known as Islam.

I have nothing against individual Muslims. The problem is that Islam is a political ideology and the fact that the ongoing Islamisation of our country will eventually be the end of our freedom. Future generations will wonder how we, in 2010, at this location, in this room, served our most precious asset.

Will you condemn the patriotic heroes of the Resistance Movement for contributing to save their people and country from slavery and tyranny? Isn't it the most basic human right to save your own people and culture from deliberate genocide and extermination?

The answer to that is immediately also the answer to the question whether individuals in this country are actually free or if they have already been reduced to slaves of the multiculturalist traitor elites.

Mark Twain once wrote:

"During a time of change, the patriot is a scarce man. He is hated and scorned. When his cause succeeds however, the timid join him. For then it costs nothing to be a patriot. "

Mark Twain

According to you, this trial is about whether I, as a member of the National Resistance Movement also known as the National Indigenous Rights Movement, have the right to

defend myself, my people and my culture by executing the category A and B traitors who are deliberately allowing the Islamic colonisation of our country.

But this trial is also about finding the truth. The statements I have made, the comparisons I have drawn – are they true? Because, if something is true, how can it be illegal? Therefore I ask you, not only to grant my request for presenting all available evidence and documentation listed in the compendium: *2083 – A European Declaration of Independence*, but also to allow the hearing of witnesses and experts in the field concerning the ongoing colonisation of Europe and who can attest to the fact that the traitors I have executed were facilitating and deliberately contributing to this process. I ask that this is done in full publicity.

I am not only referring to Witness 1 and Witness 2 but also on the expert witnesses from Country 1, Country 2, Country 3 and other countries. Preferably, all. I must have the ability to defend myself. I must be allowed to prove to you and to the people of this country that I have acted in the only rightful manner, in self defence through a pre-emptive attack. I must be allowed to prove that I executed these traitors in order to prevent them from continuing to contribute in the ongoing processes of cultural and demographical genocide and extermination. Please do not obstruct me from doing that. Because without this documentation and the mentioned witnesses, I cannot defend myself in a proper way and in my view it will not be a fair trial. Thank you.

Trial hearings

Present the relevant documentation from the compendium; 2083.

Closing statement – last day of trial, after judgment (guilty):

I would like to begin by stating the obvious. I would like to begin by stating the truth, a truth that has been deemed illegal according to the Marxist tyrants of our time. Multiculturalism is an anti-European hate ideology which has been designed to exterminate European culture, traditions, our identity and even our nation state.

The individuals I have been accused of illegally executing are all category A and B traitors. They are supporters of the anti-European hate-ideology known as multiculturalism, an ideology that facilitates Islamisation and Islamic demographic warfare. The category A and B traitors I executed were killed in self defence through a pre-emptive strike. They have been found guilty of high treason and condemned to death by the highest legal authority in Europe and our country. This authority is known as the military and criminal tribunal; PCCTS, Knights Templar. All the individuals I have been accused of illegally executing have deliberately used their influence in a way which makes them guilty of charges 1 through 8 which was presented earlier.

The evidence I have present has not only proven that I am innocent of the crimes I have been accused of. It has been proven that we, the PCCTS, Knights Templar, and the rest of the National Resistance Movement are in fact the highest military authority in this country, and we have the right and a duty to temporarily seize political and military control of our country until all category A and B traitors have been hunted down and executed and all Muslims have been deported. There is currently approximately xxx category A and B traitors operating freely within the borders of our nation and these individuals continue to undermine and weaken our country every single day. Trust me when I say, every single one of them will be hunted down and executed by my brothers and sisters, the National Resistance Movement, the free people of our country.

The current multiculturalist regimes of Western Europe are not at all democratic, this country is not democratic. They haven't been democratic since the 1950s. This country is a multiculturalist dictatorship run by tyrants. There is no basis for democracy when all state institutions including schools, universities deliberately use advanced brainwashing techniques (as has been described) to condition and manipulate the people from resisting their own annihilation through the implementation of cultural Marxism/multiculturalist doctrines. Furthermore, there is no basis for democracy when 99% of all journalists support and propagate multiculturalism. There is no basis for democracy when all patriots and nationalists are ignored, ridiculed or persecuted. Factors such as these and many more have resulted in the Marxist tyranny we live under today. The political and cultural elites are deliberately selling, us, their own people into Islamic slavery by allowing Islamic demographical warfare.

Thomas Jefferson, the third President of the United States and the author of the Declaration of Independence, stated;

"The tree of liberty must be refreshed from time to time with the blood of patriots and tyrants."

He also wrote:

"That whenever any Form of Government becomes destructive of these ends, it is the Right of the People to alter or to abolish it, and to institute new Government, laying its foundation on such principles and organising its powers in such form, as to them shall seem most likely to effect their Safety and Happiness. [...] It is their right, it is their duty, to throw off such Government, and to provide new Guards for their future security."

I suggest you memorise these two quotes as many patriots will stand here in the future as I stand here today. Refreshing the tree of liberty is now long overdue as our countries are in a rapid state of disintegration. The intention of the National Resistance Movement is to refresh the tree of liberty and we will eventually succeed even if it takes us 70 years. Many of us will have to sacrifice our life for the cause in order to destroy the tyrants of our time. Many will oppose us for our stance and call us terrorists or fascist. Nevertheless, it is essential to acknowledge and understand that we are not.

The question that many now ask themselves is the following:

Due to your twisted logic, by judging me here today, all the history books in the world has to be re-written. Because you have essentially condemned the Native American resistance hero: Sitting Bull as a murderer and a terrorist and you have thus exonerated General Custer, the butcherer who annihilated the indigenous peoples of America. According to your logic, the UN declaration of human rights has to be changed, because it is no longer allowed to fight against the annihilation of one's culture and traditions. An individual fighting for his indigenous rights is NOT a terrorist as history clearly proves. We are no more terrorists than the indigenous Brits who fought against the imperialistic Roman invaders, or the Americans who fought against English rule. We are no more terrorists than Sitting Bull, Crazy Horse or Chief Gall who fought for their people against the imperialist General Armstrong Custer.

WE are the Sitting Bulls, Crazy Horses and Chief Galls of our time and the imperialistic Custer's of our time are called Barroso, Blair, Brown, Merkel and Sarkozy. You have clearly proved here today that you are nothing more than a cheap tool to these dictators.

You are clearly collaborating with these traitors, which makes you personally guilty of high treason.

We, the PCCTS, Knights Templar and the Justiciar Knights of Europe and this country have dedicated our lives to defend and sacrifice ourselves for the freedom of our people, our culture, our traditions, for Christendom and our nation. We know what the risks are and we willingly pay the price for that every day. We do not complain about it; it is our own decision. It is my duty, as a Justiciar Knight of the PCCTS and the European Resistance Movement to defend my people, my country and my culture from gradual, systematic and deliberate genocide and this is the reason why I have been convicted today. I know that the truth I represent is tough and hard to comprehend and accept in our politically correct times. But the majority of free and patriotic Europeans will learn that what I say here today is the truth. We have the people on our side; we have the truth on our side. We have time on our side. What do you have?

It is every Europeans duty to defend their people and country against the ideology of genocide, conquest and destruction known as Islam.

You have condemned a member of the National and pan-European Resistance Movement for the actions of contributing to save their people and country from current and future oppression, tyranny and slavery. You have therefore disallowed the people of this country the most basic human right; to save their own people and culture from deliberate genocide and extermination.

You have therefore not only condemned me but you have condemned every individual in this country to future dhimmitude, slavery and death. You have shown that you are not working for the interests of the people but that you are simple puppets and tools of the multiculturalist traitor elites. You are puppets and tools of the Global Islamic Ummah.

I will be so bold and guarantee you one thing. You will lose this European civil war sooner than you imagine. Your regime will fall within 2083 and we, the peoples of Europe, will be free once more. We will be free to determine our own future, free to preserve our traditions and culture, free to secure prosperity and the safe and peaceful existence of our people. All multiculturalist category A and B traitors will be executed and Islam will be expelled from Europe for a third time. Islam was thrown out of for the first time in 1492 marking the end of the reconquista in Spain. Islam was thrown out from Western Europe once again after the Battle of Vienna in 1683. Islam will be thrown out of Europe within 70 years for a third time, of that you can be certain.

You may judge me today, but history will judge you. History will show that you condemned an innocent here today, a member of the National Resistance Movement. History will show that you condemned a protector of freedom, a protector of our country, a protector of our culture, a protector of our identity, a protector of Christendom and a protector of our people. History will show that you soaked your hands in blood here today. May my brothers and sisters, all the current and future individual members of the European Resistance Movements and the rest of the patriots of this country show you compassion and forgiveness for what you have done here today. I forgive you, because I truly believe that you do not know what you are doing.

3.71 Finding the right defence attorney/legal counsel for your trial

A Justiciar Knight must be prepared to actively search for a nationalistic oriented (patriotic) lawyer /legal counsel before his trial starts. DO NOT accept a random appointed public defender offered by the regime. Chances are too great that this individual will be either incompetent or not willing to work for your interests (which is to further the cause, and not provide the most optimal defence). The nationalistic orientated defence lawyer you are searching for should provide his services pro bono (free of charge as an investment in a good cause). If you managed to execute a relatively "spectacular" operation many so called "high profile" attorneys will contact you and offer their services discounted or for free. Understand that a large majority of these individuals will not be willing to cater for your demands but are only interested in the publicity surrounding the case. They are so called "legal prostitutes" who just want their face on TV. Ignore these requests and continue your search for a patriotic oriented defence attorney who is willing to accept your three primary demands.

You will be restricted from doing effective research from jail so you may have to ask anyone you know on the outside to assist you in searching for this candidate. Very few patriotic defence attorneys will be willing to flag their political views publicly as it may have devastating effects on their career so finding a good candidate may prove to be a challenging task. On the bright side, a defence attorney flagging his views may actually benefit that individual as well as he will literally have a monopoly on that niche market in future related cases.

There are three primary tasks your defence attorney must be willing to assist you with:

Initial briefing of your defence attorney

The candidate must be explaining that this trial is not about you but about the future of Europe. Your participation in the trial is merely a formality and a Justiciar Knight expects no mercy/leniency whatsoever, as we offer no mercy/leniency to our enemies. The candidate must be informed that the purpose of your defence is not to ensure the lowest possible sentence but rather to further the cause of saving Europe from Marxism and the subsequent manifestations (Islamisation etc.) which is the cause of the PCCTS, Knights Templar).

This approach (as your defence attorney will point out) will guarantee that you will not be shown any leniency whatsoever.

The three primary tasks expected from your defence attorney

1. Willingness to facilitate you logistically

The candidate must be willing to order the components that make out the Justiciar Knight uniform for you and he/she must then compensate a tailor to assemble it. This task will take him several hours so he should be prepared to invest that time. He must understand that wearing our uniform during trial is an essential aspect of furthering our cause and he must be willing to facilitate you.

2. Willingness to facilitate you ideologically

The candidate must be willing to contribute to assist you to further the cause of the PCCTS, Knights Templar which is the cause to free all Europeans from cultural Marxist/multiculturalist tyranny. You must be allowed to defend yourself, at least allow you to read the opening/closing speech, unless you prefer him to read your statement for you.

Obviously, the candidate isn't required to support the methods of the PCCTS, Knights Templar (mass killings, terror etc.), but he must support the primary ideological principles and the legal defensive strategy presented.

3. Willingness to facilitate you to build a case against the regime

The candidate must be willing to contribute (facilitate you) to build the case against the regime (as the primary defensive strategy) based on the documentation presented in the compendium; 2083 – A European Declaration of Independence. Remember, this trial is (from our point of view), not against you but rather a trial against the regime. The climax of the trial will be after all arguments/documentation and accusations have been presented. You will then make a demand the unconditional surrender of the regime to the armed forces of the National Resistance Movement. After all, you are not only a Justiciar Knight for the PCCTS, Knights Templar but one of several commanders of the National Resistance Movement by default.

Finding a candidate that will be willing to assist you with the primary tasks will be difficult. However, it is essential that you try as hard as you possibly can to acquire the appropriate legal counsel. It will be absolutely necessary in order to provide you with a sufficient defence.

Various topics

3.72 The PCCTS, Knights Templar Oath – Ordination Rite

Due to the nature and hierarchical and logistical limitations of our clandestine and extremely distributed organisational structure it is the responsibility of the individual (during phase 1 – 2010-2030) to ensure that he performs the initiation ritual. The rite is somewhat similar to the ancient and original ritual of the Knights Templar. This ritual has been partly adopted and kept alive by the Freemasons and similar "chivalric orders" the last centuries. The following ritual is a requirement and must be performed by all aspiring Justiciar Knights of the PCCTS, Knights Templar in phase 1. You are likely to be alone when performing the rite so you will not undergo the full magnitude of the experience. The candidate is normally surrounded by Justiciar Knights under a normal initiation ceremony.

Symbolicism of the ritual



The purpose of the rite is to create and formalise your commitment to the cause of the PCCTS, Knights Templar. You are also literally making a blood pact with the other side; with your ancestors, with past martyrs and with God. You are offering them a central part of your very being in exchange for the gift of immortality and a place in the eternal kingdom. You pledge allegiance to the principles of the PCCTS, Knights Templar, to fellow Justiciar Knights, to your people, the wishes of your ancestors and to God. Your oath will commit you to act selflessly as you offer them devoted service to the death.

As a holy Knight fighting for your people and the preservation of Christendom, the Templar's, as the Justiciar Knight candidate, are willing to put aside the usual temptations of ordinary secular life for an arduous and dedicated life of service and sacrifice. As soon as you have completed the rite your life will consist of reaching a pious state, embracing voluntary poverty, devoted service and unwavering dedication and loyalty to the principles of the Knights Templar. Your burdens will be lifted as you cast of the chains that influence you negatively in your day to day life and prevents you from doing the right thing for yourself, your family, your countrymen and your country.

The rite is in many ways a death ritual where you will break the chains that burden you and you will rise as an immortal as you become fully prepared for the afterlife.

The intention of the rite is to formalise or create an unbreakable commitment where the candidate commits to:

- Purge his traditional career/secular ambitions – you are embracing your destiny as a martyr for the cause of the PCCTS, Knights Templar
- Purge or distance yourself from worldly influences (including friends, family)
- Seek a pious lifestyle and voluntary poverty as all your worldly resources will go to the operation/cause from now on

You will rise up as a Justiciar Knight and gain:

- Partial immortality (an individual who has embraced martyrdom and death cannot be killed, all martyrs in protection of Christendom are granted a place in heaven)
- Ideological confidence
- Military/operational confidence
- Fearlessness
- Unwavering dedication

Preparation - items required to perform the initiation rite:

Specific items required:

- A candle
- A skull (replica, or an item resembling a skull)
- A sword
- Dimly lit surroundings (the temple), a room or the wilds

Surroundings: as you obviously do not have access to the Temple of Solomon (as it currently lies in ruin below the Al Aqsa mosque in Jerusalem), you will need to use the second best option, a solid rock (shaped somewhat as a cubic altar) resembling an actual stone altar. Prior to the rite, you, as a Justiciar Knight candidate, are described as a "poor candidate", in a burdened state of darkness, which is figurative of being in a state of the darkest ignorance surrounded by negative influences (chains/burdens) preventing you from being a Knight and doing the right thing. The properties of stability and strength of the stone altar is being communicated to the oath contributing to making it inviolable. Furthermore, you are to print out the text (the oath) and sign it with your own blood, and subsequently burn it on the "altar".

Lighting: the ritual should be performed in a dimly lit environment (a room or in the wilds during dusk or dawn) and you will use one candle light. The candle is placed on the altar. The candle symbolises and represents the light of God or, specifically, the light of Christ and is, as we all know, common in Christian rituals. This liturgical candle must be made of at least 51% beeswax, the remainder may be paraffin or some other substance (a paschal candle may be used).

A skull: a skull or an object resembling a human skull. The skull is placed in the centre of the altar next to the candle. The skull figuratively represents the afterlife/death, and the fallen heroes of our cause, our dead or martyred ancestors or brethren who died for their people and for Christendom in the past (former Knights Templar's and nationalist/patriotic fighters of past struggles). You face the skull while reading the oath.

Attire: the candidate will wear his best clothing while performing the initiation rite (normally the modern European suit). A traditional European dinner suit is the most optimal attire but not required. The use of similar attires symbolises that there is no distinction between Justiciar Knights.

The Justiciar Knight attire illustrates the dignity and nobleness of the Justiciar Knight office as judge, jury and executioner. The purpose of the Justiciar Knight is to heed the

call of his people in an unselfish manner. He is the protector of his people, culture, country, of European Christendom and civilisation.

White gloves: the gloves stand for dignity and purity (note that the good person is described in Psalm 24 as having "clean hands and a pure heart").

A sword: the sword symbolises aggression, protection, courage, strength, action, unity, justice, leadership and decision – all important characteristics of the nature of a Justiciar Knight. If you are performing the rite alone, you must provide a sword, preferably a good replica of a battle ready European sword from an epoch of your national history (for example a broad Viking sword for Scandinavians, a Roman sword for Southern Europeans etc (this sword may be utilized later as it will be an aspect of the tombstone – see chapter about Overseer).

Under normal circumstances (phase 2), there will be several Justiciar Knights present encircling the candidate in a crescent on one side of the altar. They will all raise their swords against the candidate while he reads the final part of the oath. As this may not be possible during phase 1, the candidate must make the best out of the situation. The shaft of the sword is placed on the altar while you place it in such a way that the tip of the sword faces your heart.

Here we experience the metaphorical sword cleanly piercing the spiritual soul of man. This symbolic action sacrifices physical bondage to release a path to the ethereal (enlightened) freedom of our struggle. Should the candidate ever knowingly and deliberately violate his oath he will have his body severed in two, his bowels taken from thence and burned to ashes, the ashes scattered before the four winds of heaven by fellow Justiciar Knights.

The candidate kneels during the ritual.

The PCCTS, Knights Templar Oath – Initiation Rite

[The candidate kneels in front of the altar, while reading the oath out loudly]

I, _____, of my own free will and accord, in the presence of Almighty God, the spirits of my ancestors and past martyrs, do hereby and hereon most solemnly and sincerely promise and swear, from now and forever, that I will hail, respect and obey the principles of the PCCTS, Knights Templar. I furthermore promise and swear that I will stand to and abide by all laws, rules and regulations of the Military Order and Criminal Tribunal - PCCTS, Knights Templar. Further, that I will always aid and assist fellow Justiciar Knights, their widows and orphans, knowing them to be such, as far as their necessities may require, and my ability permit, without material injury to myself and family. Further, that I will keep a brother Justiciar Knight secrets inviolable, when communicated to and received by me as such.

I declare to take freely and solemnly this oath of obedience, this pledge of voluntary poverty and commitment.

With this oath I state my strong and irrevocable intent:

To pledge my sword, my forces, my life and everything that I own to the cause, defence, honour of my country and of Europe, my people, the Christian religion, of the PCCTS,

Knights Templar and of my companions in arms; to the rescue of my country and of Europe as a whole from the tyranny of Marxist and Islamic oppression.

To love my brothers the Knights and my Sisters the Ladies and help them, their children and their widows with my sword, my advice, means and wealth, my credit and everything in my power, and will favour them, with no exception, over those who are not members of the order.

To fight the infidels and the non-believers with my example, virtue, charity and convincing arguments; and to fight with the sword the infidels and non-believers who attack the Cross with their own sword.

I will not aid, nor be present at, the initiation, passing, or raising of a madman, traitor or fool, knowing him to be such.

I will not converse with outsiders on the subjects related to my operation or any issue that may contribute to incriminate myself or fellow Justiciar Knights.

I will not cheat, wrong, nor defraud a fellow Justiciar Knight, knowingly, nor supplant him in any of his laudable undertakings, but will give him due and timely notice, that he may ward off all danger.

I will not knowingly strike a brother Justiciar Knight, or otherwise do him harm or personal violence in anger, except in the necessary defence of my family.

I acknowledge that I have the intellectual capacity required to develop a sufficient strategy and the initiative, courage and discipline to see it through.

I acknowledge that I have the mental strength to maintain good spirits, motivation and moral at the necessary level until my mission has been completed.

I acknowledge that I am a person who carries within me the virtue of patience and I will therefore not act prematurely but plan accordingly.

I acknowledge that I have or will be able to acquire the required finances which will allow me to fund my military operation.

I swear to follow the appropriate training programs and to acquire the appropriate knowledge, weaponry, armour, equipment and transportation required to execute my mission.

I acknowledge that I have understood the basic principles of war; that sometimes cruelty must be applied to prevent an even greater evil. I accept the fact that sometimes, innocent individuals have to perish in order to serve the greater good.

I acknowledge that I possess the qualities of initiative, patience, creativity, devotion to the cause and the ability to command any situation that might arise.

I acknowledge that I understand that my duty is to act, to find and develop adequate solutions for each problem I might face. Because I understand that without initiative, there is no resistance.

I acknowledge that in the light of the authority of my office as a jury, judge and executioner - as a Justiciar Knight for the PCCTS, Knights Templar, I am representing the highest military and political authority in Western European countries during all phases of the civil war. I will act as a representative for all free indigenous Europeans and I will always act in the best interest of the people, with a long term perspective. I must

contribute to explain to the people that sometimes, short term pain will be necessary to ensure the long term survival and prosperity of our people. I will not misuse the authority of my office but always serve the people who count on our resolve, pragmatic mindset, unwavering determination and timely action. Although we, as a Justiciar Knights, have the power to influence millions, we will never be blinded by hate or greed but must instead adhere to the principles of the PCCTS, Knights Templar.

I acknowledge and agree to follow and embrace the road of ultimate sacrifice and martyrdom should the situation require it. Under such circumstances I will not fear death but I will embrace it. I agree to this in order to secure the sovereignty of my country, the freedom of my people, my family and my friends, for their children and grandchildren's sake, for the preservation of my culture, for Christendom and for the preservation of everything I hold dear.

I will strive to be truly a fearless knight and secure on every side, for my soul is protected by the armour of faith, the truth, ideological confidence and a just cause, just as my body is protected by the armour of steel. I am thus doubly armed and need fear neither demons nor men.

Whether I live or whether I die, I have the truth on my side, our struggle is survival and to fight for our freedom from slavery. What a glory to return in victory from such a battle! How blessed to die there as a martyr! How secure is life when the conscience is unsullied! How secure, I say, is life when death is anticipated without fear; or rather when it is desired with feeling and embraced with reverence!

When the battle is at hand, I will arm myself interiorly with faith, truth and confidence, and exteriorly with steel rather than decorate myself with gold.

I will seek out horses which are strong and swift, rather than those which are brilliant and well-plumed; I will set my mind on fighting to win rather than on parading for show. I think not of glory and seek to be formidable rather than decadent.

No matter how outnumbered I am, I will never surrender, for victory in war is not dependent on a big army, but on the bravery, cleverness and the determination of the Knight.

In a wondrous and unique manner I will appear gentler than a lamb, yet I will prove to be fiercer than a lion.

[The Justiciar Knights raises their swords against the candidate. If alone; the candidate places the sword in such a way that the tip of the sword faces his heart]

All this I most solemnly, sincerely promise and swear, with a firm and steady resolution to perform the same, without any hesitation, myself, under no less penalty than that of having my body severed in two, my bowels taken from thence and burned to ashes, the ashes scattered before the four winds of heaven, that no more remembrance might be had of so vile and wicked a wretch as I would be, should I ever, knowingly, violate my obligations. So help me God, and keep me steadfast in the due performance of the same.

This oath I pronounce loudly, and is witnessed by the Knights present, the spirits of my ancestors, past martyrs and the Father, the Son, and the Holy Ghost. I sign this pledge and confirm it by my blood.

[If the candidate is alone with no other Justiciar Knights present; he makes a small cut in his finger, and from the drops of blood (a few drops is sufficient), signs the document, and then burns it using the flame from the candle.]

[The candidate may rise; for he is now a Justiciar Knight.]

3.73 Future compensation arrangements for European members of the resistance movement

We live in a time of excessive consumerism where the acquisition of wealth and prestige is the driving force in our lives. So in a world where cash is king, how can we expect anyone to champion the correct ideals and truth?

I've discussed this so many times with my sister and so many others. My sister Elisabeth lives in Los Angeles btw. and has chosen a life where... you guessed it: the acquisition of wealth is the driving force in her life. Well, this is not entirely true. She only wants financial security to live a life without worry and to be able to do what she wants when she wants. She and her husband has done well and makes aprox 150 000 USD annually. That doesn't really sound too bad. I used to be just like that so I know where she and millions of other Europeans are coming from. In fact, we are indoctrinated from early age to think this way. The only problem when everyone chooses this path is that we don't have any idealists left who actually cares about the greater good and the protection of our liberties.

If everyone chooses to be egotistical opportunists then who will be left who maintains integrity and will selflessly oversee and protect the rights of the people?

The person who has nothing for which he is willing to fight, nothing which is more important than his own personal safety, is a miserable creature and has no chance of being free unless made and kept so by the exertions of better men than himself.

If there are absolutely no incentives to do the right thing how can we expect enough individuals to sacrifice themselves for the greater good? I know a lot of people think this way. I've had this discussion with some of my best friends. They say:

"Why the hell do you care so much when the people you are trying to serve doesn't care at all about you. They even detest you for trying to tell them the truth and think you are a moron. Why not conform like us and enjoy all the benefits while we still can. Why not enjoy life now? Who gives a shit what happens in 100 years?"

This is the core problem on the political right and explains somewhat why the Marxists are superior when it comes to organisation and implementation. The political right simply lacks a fundamental idealistic mindset to a much larger degree than the political left.

In light of this new reality we have no choice but to adapt and create incentives to the individuals willing to act selflessly.

Compensation program to all voluntary political members/activists of the European resistance movements – phase of dialogue and phase 1 (1950-2030)

Does not apply if individuals are/have been already compensated financially by a second or third party.

Redistribution policies in phase 2 or 3

Category A, B and C traitors (politically active cultural Marxists, multiculturalists, capitalist globalists and suicidal humanists) will have their property and funds expropriated by the new cultural conservative regime. The property and funds will be redistributed to individuals based on previous efforts, sacrifices and results:

Priority list

- Voluntary armed resistance fighters and martyrs (8th front) active in phase 1 (the family of martyrs). Many of these individuals have voluntarily gone through much hardship including state and MSM persecution, ridicule, torture, imprisonment, psychological trauma etc. Many have been killed and many more driven to suicide the last 40 years. In cases where individuals are dead compensation must be forwarded to the closest family given that they have supported the cause ideologically.
- Voluntary members of front 1-7: Voluntary journalists, essay/article writers, teachers, coaches, lecturers, professors, politicians, community voices such as NGO leaders/members, artists, intellectuals and other community debaters. Also bloggers and various online activists, church leaders and street activists. Voluntary investors who funded various related projects will have their investment refunded with interest.

Already compensated individuals will be compensated appropriately based on results and general efforts made.

All members of the 8 different fronts in Europe should and must work actively to free political cultural conservative prisoners (from all fronts, front 8 included) in all phases of the civil war (1, 2 and 3). This includes Serbian war heroes in international prisons (condemned in the International Criminal Court in the Hague).

Also, keep in mind that there will be thousands of housing units available after the deportation of the Muslims begins in phase 3.

The long term goal of the redistributive policies should include creating incentives for procreation (degree depending on how many Europeans succumbed during the civil war).

Since I am one of the first to present this compensation programme it can be argued that I am incompetent on the matter. As such, I hereby refuse to accept any future compensation (on behalf of myself or my family) in order to strengthen the argument. Protecting the justification of a future compensation programme for voluntary service is logical and necessary and will result in more recruits from otherwise opportunistic and unwilling right wing candidates. Creating incentives is always a good idea.

National incentive programmes in an international context

When we, the cultural conservatives, again control Western Europe within 50-90 years the plan to liberate Serbia and Croatia (Bosnia Herzegovina, Kosovo, Albania, the Muslim controlled Assyrian Nation, Muslim controlled Lebanon, the Egypt controlled Coptic Nation, Syrian controlled Israel and Turkish occupied Greece and Armenia) will commence. This will obviously be a beneficial venture for Hungary, Serbia, Croatia, Greece and Armenia. Furthermore the Christian Assyrians, the Christian Lebanese, the Christian Copts and the Romani People will finally get their much deserved homeland.

But why should Western Europe send tens of thousands of soldiers when we don't get anything in return?

We will initiate this Crusade to protect eastern Christendom and to honour our friends and brothers, not because we profit from it but because we know that they would do it for us. Think of it as a European solidarity project. It will be a celebration of solidarity among European Christian brothers. We will collectively grow stronger as we head out to undo something that should have been done in 1453 during the siege of Constantinople.

3.74 Right of Revolution

"A militia, when properly formed, are in fact the people themselves... And include all men capable of bearing arms."

- RICHARD HENRY LEE - (1788)

In political philosophy the right to revolution (or 'right of rebellion' or 'right to resistance') is first articulated by the Monarchomachs in the context of the French Wars of Religion, and is essentially the natural right of preservation. It was later taken up by John Locke in *Two Treatises of Government* as part of his social contract theory. Locke wrote that the people could instigate a revolution against the government when it acted against the interests of citizens and replace it with another. The right to revolution was cited in the US Declaration of Independence:

We hold these Truths to be self-evident, that all men are created equal, that they are endowed by their Creator with certain unalienable Rights, that among these are Life, Liberty and the pursuit of Happiness.

That to secure these rights, Governments are instituted among Men, deriving their just Powers from the consent of the governed. That whenever any Form of Government becomes destructive of these Ends, it is in the Right of the People to alter or abolish it, and to institute a new Government, laying its Foundation on such Principles, and organising its Powers in such Form, as to them shall seem most likely to affect their Safety and Happiness. Prudence indeed, will dictate that Governments long established should not be changed for light and transient Causes; and accordingly all Experience hath shewn, that Mankind are more disposed to suffer, while Evils are sufferable, than to right themselves by abolishing the Forms to which they are accustomed. But when a long Train of Abuses and Usurpations, pursuing invariably the same Object, evinces a Design to reduce them under absolute Despotism, it is their Right, it is their Duty, to throw off such Government, and to provide new Guards for their future Security.

The right to revolution helps explain the purpose of the Second Amendment of the United States Constitution, which guarantees the right of "the people" to bear arms as part of a well regulated militia. It follows that if the people have a right to overthrow a despotic government then they have a right to possess the practical means to do so. The great advantage of a well armed and regulated militia is the deterrent effect, which greatly reduces the likelihood that the people will ever need to exercise their right to revolution, thus preserving liberty without bloodshed.

Duty of Disloyalty

Like Locke and Thoreau, Gandhi believed that the quest for freedom incurs an obligation to oppose an oppressive government, which he called the "duty of disloyalty", when the state fails to represent the people's interests and needs: "Disobedience of the law of an evil state is therefore a duty". Gandhi moved beyond Thoreau by contending that the freedom struggle demands active participation in community action to stop said evil, primarily through non-violent action as he believed citizens had a duty to preserve order and peace to prevent bloodshed.

A revolt every 50-100 years keeps the government from stagnating and societies from deteriorating. Why the US Founding Fathers gave the Americans the Second Amendment.

"The strongest reason for the people to retain the right to keep and bear arms is, as a last resort, to protect themselves against tyranny in government."

Thomas Jefferson

The Founding Fathers gave Americans the Second Amendment not to protect them from criminals, but by allowing them to rebel against their government should it be necessary.

People are almost always susceptible to corruption or egotism. So in any state, cultural Marxist/multiculturalist or not, leaders can deviate from the defined path, and manipulate laws and the state in order to fit their personal agenda. That is why the people must take it upon themselves to topple oppressive regimes through force and reinstate a functional government.

George Washington himself supported the stance that armed revolts every so often were necessary to keep the government from stagnating, being corrupted or deteriorating.

3.75 Non-violent resistance - civil disobedience/economical sabotage

Every patriotic European has a duty to contribute to the fall of the current cultural Marxist/multiculturalist regime through any and all means necessary. Unfortunately, the great majority of European patriots will, however, not be willing to consider armed resistance at this point (phase 1). Nevertheless, there are still ways that ordinary people can contribute to weaken the regime.

- Avoid paying more tax than you have to, if you see a loophole – use it. If you have the possibility to prevent taxation through illegal means – do it (as long as you know you will get away with it of course). If you have the opportunity to burden the system, even if your situation does not require it, do it.

These approaches are known as economical resistance methods. They represent methods ordinary patriots can use to contribute to burden and thereby weaken the system whenever an opportunity arises.

Do whatever you can to avoid unnecessary taxation, even it means breaking the law. Because if you are contributing to sustain the system you are basically funding and facilitating the multiculturalist elites agenda allowing them to continue to sell their people into Islamic slavery.

The system itself, as long as it is controlled by the multiculturalist criminal network - he regime, is the enemy and the very least everyone should do is to make it as hard for them to collect taxes for their "war chest" as humanly possible.

3.76 National Intelligence Agencies

United Kingdom - The Secret Intelligence Service (SIS/MI5/MI6)
France - DCRI: Central Directorate of Interior Intelligence (*Direction centrale du renseignement intérieur*)
Germany - Federal Office for the Protection of the Constitution (BfV) *Bundesamt für Verfassungsschutz*
Netherlands - Algemene Inlichtingen- en Veiligheidsdienst (AIVD) (General Intelligence and Security Service)
Belgium - Staatsveiligheid / Sûreté de l'État (SV/SE) (State Security Service)
Luxembourg - Service de Renseignement de l'Etat (State Intelligence Service)
Sweden - Säkerhetspolisen (SÄPO) (Security Service)
Denmark - Politiets Efterretningstjeneste (PET) (Danish Security and Intelligence Service)
Norway - Politiets sikkerhetstjeneste (PST) (Police Security Service)
Finland - Suojelupoliisi (Supo) (Security Police, literally "Protection Police")
Spain - Centro Nacional de Inteligencia (CNI) (National Intelligence Centre)
Portugal - Serviço de Informações de Segurança (SIS) (Security Intelligence Service)
Italy - Agenzia Informazioni e Sicurezza Interna (AISI): "Agency for Internal Information and Security" (domestic intelligence agency).
Greece - Ethniki Ypiresia Pliroforion (NIS) (Hellenic National Intelligence Service)
Switzerland - Dienst für Analyse und Prävention (DAP) (Analysis and Prevention Service)
Austria - Bundesamt für Verfassungsschutz und Terrorismusbekämpfung (BVT) (Federal Office for the Protection of the Constitution and Counter-Terrorism)
Iceland - Greiningardeild Ríkislögreglustjóra (GRLS) (National Security Agency)
Ireland - Special Detective Unit of the Garda Síochána

Other relevant Intelligence Agencies

US - Central Intelligence Agency (CIA)

Russia

- Federalnaya Sluzhba Bezopasnosti (FSB) (Federal Security Service)
- Glavnoye Razvedyvatelnoye Upravlenie (GRU) Genshtaba (Main Intelligence Directorate of General Staff - external military intelligence service, subordinate to the Army)
- Sluzhba Vneshney Razvedki (SVR) (Foreign Intelligence Service)

Serbia - Bezbednosno Informativna Agencija (BIA) Security Information Agency (under Government and Parliamentary control)

Israel - ha-Mossad le-Modiin u-le-Tafkidim Myukhadim (Mossad) (Institute for Intelligence and Special Operations)

Armenia - National Security Service (NSS)

National Intelligence Activity

The National Intelligence Agency (NIA) in your country are annually surveilling as many as 1000 per million individuals who are flagged (on so called watch lists). These individuals are usually well known right wing (NS and/or other nationalists) or left wing (Communist/Anarchist/Islamist) individuals, which are considered a threat against the government and/or constitution.

Collection is the gathering of information using methods such as:

Open source intelligence – the assembling of openly available information, such as that provided in the media and academic journals.

Human intelligence – information collected from agents, defectors, informants, diplomats; or from reports from counterintelligence operations, interrogations, discussions with foreign personnel, etc.; and

Technical intelligence – data and information collected through:

- Intercepts
- Monitoring and localising of radio, microwave, radar and other means of electromagnetic emission
- Communications intelligence
- Electronic intelligence
- Telemetry intelligence
- Foreign instrumentation signals intelligence
- Cryptology intelligence
- Measurement and signatures intelligence
- Imagery intelligence
- Photographic intelligence
- Computer network exploitation

International and national terrorist databases - The TIDE register[1]

Terrorist Identities Datamart Environment (TIDE) is the US governments central repository of information on international terrorist identities. TIDE supports the US governments various terrorist screening systems or "watchlists". The Terrorist Identities Group (TIG), located in NCTCs Information Sharing & Knowledge Development Directorate (ISKD), is responsible for building and maintaining TIDE.

The TIDE database includes the identities of individuals known or suspected to be or have been involved in activities constituting, in preparation for, in aid of, or related to politically motivated violence, with the exception of Purely Domestic Terrorism information.

The database contains 564 000 names, (500 000) separate identities due to aliases/name variants. US persons including both citizens and legal permanent residents make up less than five percent (25 000) of the listings.

In 2008 more than 27 000 names were removed from TIDE when it was determined that they no longer met the criteria for inclusion.

Source:

1. http://www.nctc.gov/docs/Tide_Fact_Sheet.pdf

Interrogation techniques

Different types of human subjects will share information voluntarily or involuntarily. The interrogator builds a relationship with the subject, a relationship that can be based on trust, fear, friendship, or any of a range of human emotions. Prisoners have an understandable fear of what may happen, and, contrary to "tough guy" images, it can be important to relax him and, to the extent possible, put him at ease.

Physical pressure will often yield a confession, true or false, but what an intelligence interrogation seeks is a continuing flow of information.

Assuming the subject (prisoner) has been under guard, the screener often can get valuable information about the subject's behaviour from the guards. They can tell the screener how the source has responded to orders, what requests have been made by the

source, what behaviour has been demonstrated by the source, and so forth. Along with the basic contact information, such observations can be extremely helpful to the interrogator, who can study the information before the interview. Having background on the subject helps the interrogator retain the initiative in an interview.

Again for prisoners, screeners should examine the documents captured with the source and any documents pertaining to the source. If the subject is voluntary and providing documents, they may even be more valuable. Screeners may need to get help from linguists or document specialists in understanding the material. If the documents have insignia or other graphics, these should be compared with an existing graphics register, and added to it if they are new.

Documents captured with the source (identification card, letters, map sections, and so forth) can provide information that identifies the source, his organisation, his mission, and other personal background (family, knowledge, experience, and so forth). This information can be used to verify information from documents captured with the source and further assess his willingness to cooperate. When examining documents, screeners should look for items that will indicate whether the source is cooperative or willing to cooperate based on any specific personal interest.

If the source has information pertaining to new foreign material, contact appropriate TECHINT specialists, and if the source has information of target exploitation interest, contact the appropriate staff members who deal with targeting. These specialists are not necessarily qualified interrogators and may need to meet jointly with the subject and interrogator, or pass questions to the interrogator.

Selecting potential sources (interrogation and counter intelligence)

It involves evaluating an individual, or group of individuals, "to determine their potential to answer [intelligence] collection requirements or to identify individuals who match a predetermined source profile. The goal of the process is to identify individuals who may have information of interest, and are willing or can be persuaded to cooperate. Willing individuals will undergo debriefing and unwilling people may be interrogated.

Screening techniques also can select individuals who may be prospects to collect intelligence or work, in other ways, with the HUMINT organisation or its sponsor. Individuals may also be identified who are of interest to counterintelligence or to technical intelligence specialists.

It is likely that an individual with wife/girlfriend/children will be targeted as potential sources as they are viewed as more susceptible to bribes/pressure than single men.

NIA strategy against right wing groups

Promoting individual disengagement from conservative/nationalist groups by reinforcing motivations and reducing obstacles to leaving.

Providing attractive alternatives to a continued life outside the conservative/nationalist scene (The carrot-and-stick approach).

Contacting parents/relatives/school/work place and initiate a campaign of psychological pressure from multiple fronts against target individual.

Breaking up networks by reinforcing inherent tendencies of group dissolution (e.g. undermine status and authority of leaders, and isolate them from followers, reduce the networks cohesiveness and attraction value, promote splits and internal conflicts).

By combining several such approaches the National Intelligence Agencies have managed to interrupt or destroy several groups.

The NIA "catch-and-release program" (anti-insurgency tactic)

This type of counterinsurgency method acts as a method to create reluctance or distrust in such suspects with the hopes of preventing them from further acts or involvement in right wing organisations, and perhaps more importantly, attempt to create distrust among the people who has been arrested. No one will know for sure if anyone has accepted to work as a "undercover EUSSR agent" for incentives or types of bribes.

The NIA "catch-and-release program" can only be used against "known" participants in right wing organisations. They hope to prevent re-entry into a militia group or cell as a trusted member and they hope that this will most likely limit the further trust and assignments of close cell associates still at large.

3.77 A request to the Police Forces (system protectors) of Western Europe

Regarding Phase 1

We know that more than 60% of the police officers in Europe sympathise with our cause and that even more, around 90%, empathise with it. Our cause being "striking" the enablers that are currently facilitating the Islamic colonization of our countries.

Know this; we do not wish to put you at risk or cause harm to you in any way. We consider you as brothers and sisters who are unfortunate enough to have chosen to serve the "enablers", the Multiculturalist Alliance, our government and the constitution.

If possible we will address you on the standard police frequency during any operation (in order to prevent the harm of innocent police officers or our agents for that matter). We ask that you either join us or get out of our way, allowing any Justiciar Knights to complete their missions. Use creative and indirect methods at your own discretion; "Your radio not working", "caught in traffic", or avoiding "short cuts" are all excellent methods of preventing armed confrontations with any Knights Templar. Normally we will have specific objectives that are limited to striking concentrations of class A and B traitors with minimal civilian casualties. Trust our judgement for we have planned the operation thoroughly for months or even years.

However, if you for various reasons do decide to follow your orders and contribute to hunt down and stop any Justiciar Knight, they will assume that you have hostile intentions and act accordingly. They will not allow you to put the operation at risk.

Know that in this critical and vulnerable phase of our armed resistance, we do not have the luxury of acting in a flexible manner. We are forced to act effectively, mercilessly and without hesitation. The outcome of any confrontation will be death, either to you or to the Justiciar Knight. Know that if you cause injury or death to any Justiciar Knight you are not only committing a crime against that individual but you are committing a crime/treason against all nationalist Europeans. You are violating the wishes of the free

indigenous peoples of Europe by assisting and protecting the multiculturalist establishment. You will undoubtedly be punished for your crimes as soon as we, the cultural conservatives, seize power in Western Europe. So be vigilant. Help us indirectly or stay out of our way.

Your role in Phase 2

Same as Phase 1. Several police officers will be active within the cultural conservative movements.

Your role in Phase 3

You are now finally able to support the resistance movement directly with limited risks. If possible, contact the military commander who leads your local resistance organisation/militia and sign up for duty. Know that some of your colleagues will still support the cultural Marxists. It is not only your right, but your duty to rally as many colleagues as you can and contact the resistance movement/cultural conservative forces for instructions. Be certain that the colleagues you have recruited can be trusted. Attempting to infiltrate the resistance movement in any way can be fatal for you and your family. We do not have the resources to allow ourselves the luxury of the general rules of war, allowing us to show compassion and flexibility, so we have to react effectively and often brutally.

A request to you

To any police prison guard, police officer or other law enforcement agent reading this; know that it is your duty to indirectly facilitate any and all Justiciar Knights (look the other way when the time comes, blame incompetence or ignorance). You should know by now that we, the patriotic Justiciar Knights, are fighting the good fight, YOUR FIGHT, for you, so that you and your family may have a chance to live in a future society that is not suffering under or is controlled by Islam. If you contribute to the persecution or apprehension of a Justiciar Knight, know that you are not only betraying your country, your people, your culture, your identity and your ancestors. You are betraying your self and your children as well! So when the time comes, look the other way. That is all we ask.

3.78 "Young Europeans Movement - YE" movement - rumours of an emerging mass consolidation of anti-Marxist/anti-multiculturalist forces

I don't know much about the status of this rumoured consolidation project. One of my mentors from PCCTS told me something about this a few years ago. The intention is to temporarily (through phase 1-3) but indirectly consolidate all anti-Marxist military forces/organisations/cells: 1. Militant cultural conservatives, 2. militant "right wing" liberalists, militant Christian extremists, militant ethno-centrists and other groups.

We all agree that multiculturalism is an anti-European/Christian hate ideology designed to exterminate European identities, our cultures/traditions and European nation states. This hate ideology (coupled with suicidal humanist tendencies) is the cause of the current Islamisation (with the exception of certain factions who believe it is due to ZOG...)

The problem, I would imagine, is how each faction relates to totalitarian ideas, ethnocentrism and especially our relation to Jews. Some of the factions are pro-democracy, -Christendom, -capitalism, -multiethnicity and pro-Israel/Jews while other groups are strongly against.

Who will dominate a future "Young Europeans" movement?

The common consensus seems to be that we should focus less on our indifferences temporarily in order to fully focus on securing the survival/safety of our people/cultures/traditions/countries/Christendom.

In any case; it is only logical that we save the infighting until after phase 3. We can never allow the cultural Marxists to play divide and conquer with the various factions. It will undoubtedly be certain infighting after the Marxists/suicidal humanists/capitalist globalists have been defeated though.

The NS are generally pro Muslim and anti Jewish. They should know that we will defend our right wing Jewish and other non-Muslim minority groups, who have fought by our side with our lives as they will do the same for us. It is still too early to tell how the situation will develop. A relationship is always reciprocal so we, the pro-multiethnicity and pro-Israel/Jewish factions, do in fact expect future support from all non-Muslim right wing minority groups and indirect support from the Israeli right wing. We will rely on their support in order to be able to dominate the European right wing for the future - because if we fail, they will lose their only interest groups and allies.

At the moment, I'm worried that ethnocentric ideologies will become more dominant in Western Europe the coming decades. The main reason is that the non-ethnocentric factions on the right wing are not getting enough support from their own base and from right wing minority groups (as these minority groups fail to distinguish non-racist right wingers from actual Nazis/racists due to the media propaganda campaigns and their own paranoia. If the cultural Marxist/ suicidal humanist elites had any decency whatsoever they would at least stop the "all nationalists=Nazis, racists campaigns" and perhaps even arrange a gradual controlled re-distribution of power to moderate right wing groups/political parties. Their total and complete reluctance to deal with any traditionalist/nationalist is radicalising an increasing number of people. Due to their propaganda campaigns the obvious result is that people become apathetic and/or are drawn to actual Nazi and racist groups.

3.79 Various info

Future "Nuremberg trials"

It's important to keep in mind that the future European "Nuremberg trials" which will be held when the European cultural conservatives reassert control of their territories has the potential to be a very bloody process. The cultural Marxists/pro-Multiculturalists will not be "lightly treated".

Individuals or groups who have actively supported the EU's Eurabia project (European multiculturalism/Islamisation of Europe) and the so called "anti-racist witch hunts" will be punished severely for their crimes.

This is especially aimed at multiculturalists in the political, intellectual, religious, media, teaching and publishing apparatus.

National, regional and local knowledge may be required

Considering the fact that national, regional or even local knowledge is required when evaluating targets it is generally advised that "foreign" Justiciar Knights do not ignorantly act based on rumours or lacking intelligence when launching operations on "unfamiliar grounds". In many cases it can be difficult for a Spanish Justiciar Knight to fully comprehend f. example the political system in Sweden and vice versa. A Justiciar Knight should NEVER act blindly on external intelligence sources but should do his own research in order to confirm all relevant information when evaluating and selecting targets. People do make mistakes when preparing intelligence reports and all information should be thoroughly evaluated by a credible and competent individual who possesses national, regional or local knowledge.

Alternative areas to study

System disruption

Effective use of system disruption with the goal of completely shutting down an important process/production facility and delay and/or halt repairs.

Hostage taking

Effective use of hostages to coerce both the government and the multinationals.

Swarm-based maneuvers

A more sophisticated approach where we are quickly attacking targets in succession. Multiple, highly maneuverable units can keep the government's defensive systems (police/SWAT) off-balance defending their sprawling networks (Phase 2 strategy)

Actions which are considered counter-productive

Random violence against Muslims is considered counter-productive and will only create more sympathy for Islam at best. Random racist violence against people of colour (non-Muslims) is even worse. Not only does it undermine everything the movement stands for, it labels you as racist and a violent bigot. Be especially aware of people of the peaceful faiths - Jews, Buddhists, Hindus etc as they are considered allies against the Global Islamic Ummah.

Military efforts involving several nations

Very often it will be beneficial to plan and organise an attack from a bordering country. For example as a Norwegian, there are many benefits of doing much of the work relating to the organisation of a specific operation from Sweden (for example in Western rural Sweden). It is much easier to stay off the Norwegian NIAs radar (national intelligence agency) if you are located in another country as cross-border planning/organisation will complicate any efforts of surveillance or will in any case reduce the chance of the operation being compromised.

Operations swap

A national resistance commander or cell commander can at any given time initiate an operation-swap with a neighbouring country's cell commander if both parties are willing. By doing so, and by combining this with cross-country planning they will increase their chances of success. Obviously, the general rules of confidentiality will still apply so no one will have any sensitive information about the other party's plan.

European political solutions for the future

"HAD I the heavens' embroidered cloths,
Enwrought with golden and silver light,
The blue and the dim and the dark cloths
Of night and light and the half light,
I would spread the cloths under your feet:
But I, being poor, have only my dreams;
I have spread my dreams under your feet;
Tread softly because you tread on my dreams."

W.B. Yeats (1865–1939)

This chapter is not yet complete due to the complexity of the various aspects relating to solutions for Western Europe. I have, however, covered the basics of several relevant topics.

3.80 Reforming the European Church – from a diversified and un-appealing "Labour Church" to a united, strong and appealing "Traditional Church"

6 decades of the Marxist doctrines of cultural relativism/pluralism and egalitarian thinking has severely infected especially the Protestant church in Europe.

This has resulted in a situation where a majority of Protestants, me included, have lost all respect for the Protestant church.

An increasing number of European Protestants are converting to Catholicism. Only by turning to Rome may Protestants be able to see some of the shortcomings of our espoused faith.

Here is a list of reasons why Catholicism is a better alternative:

The Church cannot survive in a cultural Marxist society

A cultural Marxist society defies and rejects supernaturalism and tradition and thus does what they can to gradually deconstruct the Church and the role of the Church. For modernist Protestants (or also referred to as the Labour Party Church) religion is a matter of fighting for equal rights, making the world a better place, being kind to everyone and 'spirituality'. It doesn't take very long for people to realise that you don't have to go to church for that. So people stop going, and that eventually means the death of modernist Christianity. The first generation of modernist Christians will attend church regularly. The second will attend church sometimes. The third almost never. The fourth and fifth will not see any need for worship. They will conclude that if religion is no more than good works, then the religious ritual is redundant.

The "Labour Party Protestant Church" is subjective and sentimentalist

It eschews doctrine and favours individual spirituality and sentimental responses to doctrines and moral issues. It is not long, therefore, before the individualist and sentimentalist inclinations drive a person from a church that is dogmatic and demanding. Modernists will prefer their own spirituality and emotional experiences to any sort of formal religious commitment. Thus the modern admission, "I'm interested in spirituality but not religion." When this attitude prevails, modernist religion dies.

The Protestant Church is historically revisionist

They re-write history according to their prejudices. In religious terms this means they are cut off from tradition. They are therefore cut off from the life-stream of real religion. As they cut themselves off from the tradition they will only have the latest religious gimmick, fad or adaptation to contemporary culture. Such an ephemeral attitude cannot provide for long term sustained religious longevity.

Cultural Marxism contracept and abort

They don't have enough children to train up in their religion, and those children they do have are often taught that freedom of choice is a higher virtue than commitment or duty in religion. So they will lose the next generation to either real religion or paganism. The Protestant Church allows moral degeneracy and that saps the strength out of real religion. Devotees of the Church demand moral purity, self discipline and restraint. Real religion requires self discipline.

The Protestant church makes no demands

The Protestant Church makes no great demands for its devotees to be religious. Ask any modernist Protestant, "Why should I come to Church?" What would he answer? "You don't have to come to church. It's there if you want it. If it does you good, and makes you feel better, we're here to serve you." Priests wring their hands and wonder why no one comes to Church anymore. It's because for forty years they've been saying, "It's not really a mortal sin to miss Church. You should come because you love God, not because you fear him." While this sentiment may be laudable, they shouldn't therefore be surprised if no one comes to Church.

The Rock of Tradition

Many Protestant converts embrace the Tradition of the Roman Catholic Church and contend that this Tradition sets the Catholic Faith apart from its Protestant counterpart. Catholicism is far "richer" than anything Protestantism can offer, since only Rome can lay claim to apostolic succession and living Tradition as an infallible guide to interpreting Holy Writ.

Only Rome is the true church, since only Rome can lay claim to apostolic succession dating back to Peter, the rock, per the sixteenth chapter of Matthew ("...you are Peter and upon this rock I will build my church..."). Only the Roman Catholic Church is rooted and grounded in this ancient apostolic tradition. Thus, "there is no fully Christian church but the one that was there from the beginning. By cutting itself off from this unbroken chain of succession dating back to Peter, Protestantism was adrift from the beginning. And given the maturity of the "Mother Church," the Protestant Reformation was really nothing more than a kind of teen-age rebellion.

Sure, Martin Luther was an essential figure and it is thanks to the Protestant revolution that Europe was "allowed to become" the technological and scientific superpower it is. Hadn't it been for the separation of Church and state we may have still lived in the dark ages.

The Protestant reformation/revolution was needed and has resulted in the following positive changes (all these changes have been adopted by the Catholic countries/Catholic church as well):

- The partial separation of Church and state (significantly limiting the political power of the Church)
- Allowing European countries/companies all rights in regards to research and development (scientific evolution).
- Removing corrupt policies relating to indulgences/absolution (financial compensation to avoid purgatory or the practice of indulgences being sold)
- Allowing mass to be held on non-Latin languages

The Role of Tradition

A few important factors is the apostolic succession and to the antiquity of the Roman Catholic Church. However, Scripture was never intended to be the believer's sole guide for all of faith and practice; for all that he believes and does. Scripture and Tradition belong together as well.

Scriptures lack of relation to Church

Christ left a church, not a book, and that the Protestant doctrine of *Sola Scriptura* (by scripture alone) is illogical because the formation of the canon (i.e. what we recognise as Scripture) was itself a monumental act of the church. Thus, the Bible requires an infallible church.

Lack of guide to scripture

The church is a necessary guide to the meaning of Scripture. If the Constitution, as a relatively simple human text, needs the Supreme Court as its interpretive guide, then all the more does Scripture need the Catholic Church as its interpretive guide.

Lack of interpretational authority

The Protestant doctrine of *Sola Scriptura* leads to an "incipient subjectivism" since without Tradition, each man becomes his own authority and interpreter of Scripture. This has resulted in competing interpretations in the Protestant marketplace resulting in various directions of Protestantism.

Authority and Authoritativeness

Authority, in all of our daily experiences, means a person or institution empowered to enforce a rule. *Sola scriptura* is in a sense a philosophical sleight of hand. A book by its nature can only be *authoritative*, not an authority. Ironically, it was the first pope, the apostle Peter, who pointed out the rather obvious fact that Scripture is not necessarily self-explanatory; it can be twisted by the unscrupulous to support any theological position (2 Peter 3:16).

Protestantism leads to the disintegration of the Church

A liberal Protestant church with little or no authority results in chaos and therefore indirectly contributes to spawn a multitude of sects/denominations. There are now more than 25 000 Protestant sects and the number is growing![1]

Liturgical Longings

High church liturgy (much more dignified rituals known to Protestants as "service/communion"), is a common feature of Roman Catholic and Eastern Orthodox churches. The Reformed and Evangelical Protestant churches are missing out on an essential part, the fullness and richness of high church liturgy. The traditional Christian components such as the Mass and the Eucharist are essential.

To quote a Catholic:

"The splendour of Roman Catholic liturgy or the "vision" of the Roman Catholic Church is immense. It is full of glory and dignity. It is un-supportedly bright. But not only this: it is *present* in the Mass. ... But it is only in the liturgy...that the whole drama is unfurled and the scrim of temporality is pierced, and we begin to see both the abyss and the Sapphire Throne. It is very hard to keep this vision alive in non-liturgical worship."

Liturgy, for the most part, is the same no matter which Catholic Church a parishioner attends. The Catholic can worship at any Catholic Church and discover there is basically the same order of worship, the same symbolism, and the same ritual.

Protestant churches have communion only a few times each year while Catholics has it on a weekly basis.

Love at First Sight- Aesthetic divinity and dignity

Many new Protestant churches lack the Aesthetic divinity and dignity a church should have. Many of these churches resemble minimalistic shopping malls, some even look like bomb shelters.

High steeples, glorious columns, stained glass windows depicting former Christian saints and martyrs; no doubt these are beautiful things to behold. People are drawn to the richness of Catholic symbolism expressed in the architectural beauty of Catholic churches.

We Protestants correctly talk about our church building as "God's house", but our church interiors resembled auditoriums, whereas you will immediately be struck by a different ambience inside Catholic churches: there is a permeating "divine presence", the candlelight, kneeling saints, statues, and wonderful altars, even when no worship is in progress.

Protestants need to learn that worshipping God is something which involves their entire being. And Protestants also need to learn that symbolism is, in a sense, inescapable.

Catholicism/Protestantism and multiculturalism/internationalism/ suicidal humanism

Today's European Church leaders (both Catholic and Protestant) are mostly internationalists/multiculturalists and socially and theologically on the left (obviously Protestants more so than Catholics). They are more concerned with the welfare of Jihadists, the so called Palestinians in particular than the persecuted Christians around the world. They ignore persecuted Christian minorities in the Middle East and in Africa. This is unacceptable and our future European Church will reflect our political doctrines. They should be compassionate but first and foremost towards other Christians.

Catholics themselves often buy into the non-Christian aspects of political leftism. Their leftism, to be quite blunt, is often born of an unparalleled theological naiveté. A church leader who fails to understand the essential Islamic doctrines of Taqiya and Naskh and the subsequent threat posed by Islam must be removed from office. No multiculturalist/suicidal humanist church leaders will be allowed to spread their ideological poison in the future as they will be replaced by conservatives. We cannot afford to allow suicidal naive Church leaders sell Christians to Islamic slavery.

The future European Church must focus less on proletarian consciousness and should adapt more of the Calvinistic views relating to national and local industriousness (with the exception of globalist capitalism). Christian leftism is ultimately based on a mistaken theological premise: that God has a "preferential love for the poor." Scripture, however, informs us that God is no respecter of persons. As such, true Christianity refuses to romanticise either wealth or poverty (Prov. 30:8-9).

The contemporary definition of the Christian world view will be reformed to correlate with nationalistic doctrines, allowing the national pursuit of prosperity and allowing unlimited research and development relating to every aspect of technology and science (including all aspects of biological research, reprognetics etc.).

The Pope, the ultimate knight of Christendom

When a just and conservative Pope mounts the chair of Peter, the tide will set strongly toward Rome. We will hear of conversions on every hand. The joyful radiance of this Popes appearance among us will be seen as nothing less than a strong and just knight of Christianity. A Crusader Pope, a man who symbolises and protects the persecuted Church. This new Pope will be a defender of Christianity, and will not contribute to the annihilation of Christendom through suicidal humanism.

Unity instead of diversity - Appeal to the Masses

The one (the Pope) appeals to the many, the united masses. There is no larger unified group of professing Christians on the face of the earth than Catholics. A just and strong Pope should be the religions and somewhat cultural and moral authority for all Christians.

Egalitarian thought (extreme equality) leads to a Church stripped of authority which causes Christians to lose whatever respect they had

The Protestant liberal Church defends and encourages the ordination of women, divorce, abortion, the mass scale distribution of contraceptive pills and contributes to glorify homosexuality (including the ordination of homosexuals). When the Church resembles a minimalistic shopping mall, the female priest wears jeans, defends abortion and the mass scale distribution of contraceptive pills, defends the Jihad against the Israelis and lives a

sexually active life; then what is the point? We must go back to our Catholic roots. We, the protestant nations of Europe should not forget that we were all Catholics once.

Future goal for the European Protestant Church

The goal must obviously not be to create a new theocracy. Europe will still remain predominantly secular. However, the Churches primary role will be to contribute to unity by offering cultural and spiritual opportunities. The Church will once again be allowed to do what it was intended to do; to propagate and maintain cultural unity through pre defined rituals and celebrations. Christendom is after all the primary factor that unites all Europeans. We should therefore strive to create a united Church through reforming it, which ends up as a Church worthy of our respect.

To quote a Protestant convert to Catholicism:

"When asked what attracted me to Catholicism, I cannot say, for it wasn't *something* it was *everything*. The art, the architecture, its antiquity, the nativity scenes, the role of the mass, the beauty of the liturgy...the social conscience of the Church, its prophetic role in our modern world, the lives of the saints, the mystery, the presence of Christ, the sheer universality -- I was falling in love -- and perfect love casts out all fear, if not all apprehension.

Explanations

Liturgy: The word, which especially among Protestants is sometimes rendered by its English translation "service", refers to an elaborate formal ritual such as the Catholic Mass/Eucharist.

Eucharist: The Eucharist, also called Holy Communion, Sacrament of the Table, the Blessed Sacrament, or The Lord's Supper, and other names, is a Christian sacrament or ordinance, generally considered to be a commemoration of the Last Supper, the final meal that Jesus Christ shared with his disciples before his arrest and eventual crucifixion. The consecration of bread and a cup within the rite recalls the moment at the Last Supper when Jesus gave his disciples bread, saying, "This is my body", and wine, saying, "This is my blood"

Mass: Mass is the usual English-language name for the Eucharistic celebration in the Latin liturgical rites of the Catholic Church. The term is used also of similar celebrations in Old Catholic Churches (a German schism from the 19th Century), in the Anglo-Catholic tradition of Anglicanism, in many Lutheran churches, and in a small number of High Church Methodist parishes.

The Mass and the Eucharist really can't be separated since the latter is the central act -- the climax -- of the former.

Nativity scenes: A nativity scene is a depiction of the birth of Jesus as described in the gospels of Matthew and Luke. Living nativity scenes, in which real people and animals participate, exhibit (at the minimum) figures representing the infant Jesus, his mother Mary, and Mary's husband, Joseph. Some nativity scenes include other characters from the Biblical story such as shepherds, the Magi, and angels.

Some features of the dramas became part of both Catholic and Protestant Christmas services with children often taking the parts of characters in the nativity story. Nativity plays and pageants, culminating in living nativity scenes, eventually entered public

schools. Today, such exhibitions are challenged on the grounds of separation of church and state.

Further reading - books:

1. New Catholics, 2. Where Peter Is

Sources:

1. Ibid., pp. 9, 56, 59, 82, 128, 131.

3.81 The future of European Christendom

Embracing Christendom will be voluntary (under normal circumstances). People who chose to be atheists will enjoy the same rights. However, school curriculum and government policies will propagate cultural conservative policies, European traditionalism/Christendom much like European policies 40-60 years ago.

Preparing for the Great European Christian Congress

We cannot have a Vatican that trembles at the feet of the Islamic Ummah or a Vatican that facilitates its own destruction without a fight. We must therefore rid the Vatican of corrupt and even suicidal members and ensure that we have Church leaders who believe in a sustainable and confident European Christendom. We need a Christendom that believes in the fundamental concept of self defence and that has the will and ambition to survive. We need Christian leaders who are willing to call for defensive Crusades if any of our Christian brothers are threatened by Jihad in the future. European Church leaders must not be afraid to contact the media, political and military leaders and demand action.

The Great Christian Congress

A Christian Congress will be held with military leaders, political leaders and Church leaders. The intention of the congress will be to create the foundation for a future cultural and spiritual platform for Christendom in Europe. The Church will have to give many concessions but will gain many privileges in return.

Privileges granted

The Church will be granted "public monopoly" (school curriculum, government policies) and Christendom will be the only official religion in European countries much like European policies reflected 40-60 years ago.

The Church will gain x amounts of seats in the new Parliament but no veto rights. They have a right and a duty to call for military Crusades if any international Christian minority is being threatened by Jihad in other parts of the World. Their advice should be taken under consideration by military leaders and politicians.

They will have the right and the duty to assist our militaries in planning Crusades for the benefit of liberating our Christian brothers in the Middle East but can also assist elsewhere for example in the Philippines or in Sudan etc. if assistance has already been

called for by Christian leaders. It is essential that that we, the future conservative leaders of Western Europe, as soon as humanly possible send military support to the leader of Southern Sudan, the devoted Christian Catholic, Salva Kiir, who has been fighting against Jihad for decades. Southern Sudan might be lost to the darkness of Islam if we do not assist.

Concessions given

The Church and church leaders will not be allowed to influence non-cultural political matters in any way. This includes science, research and development and all non-cultural areas which will benefit Europe in the future. This will also include all areas relating to procreation/birth/fertility policies and related issues of scientific importance (reprogenetics). The Church will not be allowed to use "humanism" to push Europe down the former fanatically egalitarian path or use its influence to propagate a continuation of suicidal and non-rational aid policies. Furthermore, the Church will not be allowed to influence domestic issues relating to national security including the extended use of the death penalty, new and enforced restrictions concerning immigration and asylum practices.

The European Churches will be reformed

The current fanatically egalitarian, self loathing and suicidal Church of Europe will be reformed, even if we will have to go back to our roots, to the Vulgate, the Versio Vulgata [1] or the original pre-1611 King James Bible[2] which represented a Christendom that propagated self defence against the infidel Muslims.

Our illiterate, lazy culture has spilled over to many professing Christians who have embraced the ways of the pacifist egalitarian. They are willing to read a modified, pacifist, gender neutral Bible, missing what God says so that they can continue to ignore their duties in regards to the ongoing Crusade (self defence). Our modern Bible perversion was written by men using dynamic equivalence. In other words, they are telling you their interpretation and their doctrine, NOT what the manuscripts really say. This can be confirmed by reviewing how the modern Church is using pacifist, fanatically egalitarian and gender inclusive language. Fanatical egalitarianism, gender inclusivity and pacifism wasn't in the original texts, in the original Bible. it is a modern, feminist and cultural relativist concept born from the Marxist revolution.

1. <http://en.wikipedia.org/wiki/Vulgate>

2. http://en.wikipedia.org/wiki/King_james_bible

3.82 Patriarchy will be re-implemented

The following essay by Phillip Longman further documents what Western European right wing intellectuals have stated for more than two decades. The patriarchy will return. The only remaining question for Western Europe is; Will the future Europe be dominated by a Muslim or Christian patriarchy? Will the European conservatives manage to seize power by military force or through a coup d'état before the cultural Marxists and other suicidal liberals manages to sell the peoples of Europe into Muslim slavery? We have only 20-70 years before we are demographically overwhelmed by the hordes of Islam. Demography is king and unless we manage to deport all Muslims from European soil within the next 20-70 years, Europe will be lost.

We sincerely hope that the multiculturalist regimes of Western Europe will capitulate to conservative forces, in a relatively peaceful manner, before the capitals of Europe once again lies in complete ruin. Unfortunately, our hope is overshadowed by an instinct telling us that they will be unwilling to surrender, as we are unwilling to surrender.

Europe will burn once more and rivers from the blood of patriots, tyrants and traitors will flow through the streets. However, a new European cultural renaissance will be born from the ashes. Islam and Marxism will not prevail.

The Return of the Patriarchy

By Phillip Longman

"If we could survive without a wife, citizens of Rome, all of us would do without that nuisance." So proclaimed the Roman general, statesman, and censor Quintus Caecilius Metellus Macedonicus, in 131 B.C. Still, he went on to plead, falling birth-rates required that Roman men fulfil their duty to reproduce, no matter how irritating Roman women might have become. "Since nature has so decreed that we cannot manage comfortably with them, nor live in any way without them, we must plan for our lasting preservation rather than for our temporary pleasure."

With the number of human beings having increased more than six-fold in the past 200 years, the modern mind simply assumes that men and women, no matter how estranged, will always breed enough children to grow the population -- at least until plague or starvation sets in. It is an assumption that not only conforms to our long experience of a world growing ever more crowded, but which also enjoys the endorsement of such influential thinkers as Thomas Malthus and his many modern acolytes.

Yet, for more than a generation now, well-fed, healthy, peaceful populations around the world have been producing too few children to avoid population decline. That is true even though dramatic improvements in infant and child mortality mean that far fewer children are needed today (only about 2.1 per woman in modern societies) to avoid population loss. Birthrates are falling far below replacement levels in one country after the next -- from China, Japan, Singapore, and South Korea, to Canada, the Caribbean, all of Europe, Russia, and even parts of the Middle East.

Fearful of a future in which the elderly outnumber the young, many governments are doing whatever they can to encourage people to have children. Singapore has sponsored "speed dating" events, in hopes of bringing busy professionals together to marry and procreate. France offers generous tax incentives for those willing to start a family. In Sweden, the state finances day care to ease the tension between work and family life. Yet, though such explicitly pronatal policies may encourage people to have children at a younger age, there is little evidence they cause people to have more children than they otherwise would. As governments going as far back as imperial Rome have discovered, when cultural and economic conditions discourage parenthood, not even a dictator can force people to go forth and multiply.

Throughout the broad sweep of human history, there are many examples of people, or classes of people, who chose to avoid the costs of parenthood. Indeed, falling fertility is a recurring tendency of human civilization. Why then did humans not become extinct long ago? The short answer is patriarchy.

Patriarchy does not simply mean that men rule. Indeed, it is a particular value system that not only requires men to marry but to marry a woman of proper station. It competes with many other male visions of the good life, and for that reason alone is prone to come in cycles. Yet before it degenerates, it is a cultural regime that serves to keep birthrates high among the affluent, while also maximizing parents' investments in their children. No advanced civilization has yet learned how to endure without it.

Through a process of cultural evolution, societies that adopted this particular social system -- which involves far more than simple male domination -- maximized their population and therefore their power, whereas those that didn't were either overrun or absorbed. This cycle in human history may be obnoxious to the enlightened, but it is set to make a comeback.

The Conservative Baby Boom

The historical relation between patriarchy, population, and power has deep implications for our own time. As the United States is discovering today in Iraq, population is still power. Smart bombs, laser-guided missiles, and unmanned drones may vastly extend the violent reach of a hegemonic power. But ultimately, it is often the number of boots on the ground that changes history. Even with a fertility rate near replacement level, the United States lacks the amount of people necessary to sustain an imperial role in the world, just as Britain lost its ability to do so after its birthrates collapsed in the early 20th century. For countries such as China, Germany, Italy, Japan, and Spain, in which one-child families are now the norm, the quality of human capital may be high, but it has literally become too rare to put at risk.

Falling fertility is also responsible for many financial and economic problems that dominate today's headlines. The long-term financing of social security schemes, private pension plans, and healthcare systems has little to do with people living longer. Gains in life expectancy at older ages have actually been quite modest, and the rate of improvement in the United States has diminished for each of the last three decades. Instead, the falling ratio of workers to retirees is overwhelmingly caused by workers who were never born. As governments raise taxes on a dwindling working-age population to cover the growing burdens of supporting the elderly, young couples may conclude they are even less able to afford children than their parents were, thereby setting off a new cycle of population aging and decline.

Declining birthrates also change national temperament. In the United States, for example, the percentage of women born in the late 1930s who remained childless was near 10 percent. By comparison, nearly 20 percent of women born in the late 1950s are reaching the end of their reproductive lives without having had children. The greatly expanded childless segment of contemporary society, whose members are drawn disproportionately from the feminist and countercultural movements of the 1960s and 70s, will leave no genetic legacy. Nor will their emotional or psychological influence on the next generation compare with that of their parents.

Meanwhile, single-child families are prone to extinction. A single child replaces one of his or her parents, but not both. Nor do single-child families contribute much to future population. The 17.4 percent of baby boomer women who had only one child account for a mere 7.8 percent of children born in the next generation. By contrast, nearly a quarter of the children of baby boomers descend from the mere 11 percent of baby boomer women who had four or more children. These circumstances are leading to the emergence of a new society whose members will disproportionately be descended from parents who rejected the social tendencies that once made childlessness and small families the norm. These values include an adherence to traditional, patriarchal religion, and a strong identification with one's own folk or nation.

This dynamic helps explain, for example, the gradual drift of American culture away from secular individualism and toward religious fundamentalism. Among states that voted for President George W. Bush in 2004, fertility rates are 12 percent higher than in states that voted for Sen. John Kerry. It may also help to explain the increasing popular resistance among rank-and-file Europeans to such crown jewels of secular liberalism as the European Union. It turns out that Europeans who are most likely to identify themselves as "world citizens" are also those least likely to have children.

Does this mean that today's enlightened but slow-breeding societies face extinction? Probably not, but only because they face a dramatic, demographically driven transformation of their cultures. As has happened many times before in history, it is a transformation that occurs as secular and libertarian elements in society fail to reproduce, and as people adhering to more traditional, patriarchal values inherit society by default.

At least as long ago as ancient Greek and Roman times, many sophisticated members of society concluded that investing in children brought no advantage. Rather, children came to be seen as a costly impediment to self-fulfilment and worldly achievement. But, though these attitudes led to the extinction of many individual families, they did not lead to the extinction of society as a whole. Instead, through a process of cultural evolution, a set of values and norms that can roughly be described as patriarchy re-emerged.

Demography is king

In the primordial past, to be sure, most societies did not coerce reproduction, because they had to avoid breeding faster than the wild game on which they fed. Indeed, in almost all the hunter-gatherer societies that survived long enough to be studied by anthropologists, such as the Eskimos and Tasmanian Bushmen, one finds customs that in one way or another discouraged population growth. In various combinations, these have included late marriage, genital mutilation, abortion, and infanticide. Some early hunter-gatherer societies may have also limited population growth by giving women high-status positions. Allowing at least some number of females to take on roles such as priestess, sorcerer, oracle, artist, and even warrior would have provided meaningful alternatives to motherhood and thereby reduced overall fertility to within sustainable limits.

During the eons before agriculture emerged, there was little or no military reason to promote high fertility. War and conquests could bring little advantage to society. There were no granaries to raid, no livestock to steal, no use for slaves except rape. But with the coming of the Neolithic agricultural revolution, starting about 11,000 years ago, everything changed. The domestication of plants and animals led to vastly increased food supplies. Surplus food allowed cities to emerge, and freed more people to work on projects such as building pyramids and developing a written language to record history. But the most fateful change rendered by the agricultural revolution was the way it turned population into power. Because of the relative abundance of food, more and more societies discovered that the greatest demographic threat to their survival was no longer overpopulation, but underpopulation.

At that point, instead of dying of starvation, societies with high fertility grew in strength and number and began menacing those with lower fertility. In more and more places in the world, fast-breeding tribes morphed into nations and empires and swept away any remaining, slow-breeding hunters and gatherers. It mattered that your warriors were fierce and valiant in battle; it mattered more that there were lots of them.

That was the lesson King Pyrrhus learned in the third century B.C., when he marched his Greek armies into the Italian peninsula and tried to take on the Romans. Pyrrhus initially prevailed at a great battle at Asculum. But it was, as they say, "a Pyrrhic victory," and Pyrrhus could only conclude that "another such victory over the Romans and we are undone." The Romans, who by then were procreating far more rapidly than were the Greeks, kept pouring in reinforcements -- "as from a fountain continually flowing out of the city," the Greek historian Plutarch tells us. Hopelessly outnumbered, Pyrrhus went on to lose the war, and Greece, after falling into a long era of population decline, eventually became a looted colony of Rome.

Like today's modern, well-fed nations, both ancient Greece and Rome eventually found that their elites had lost interest in the often dreary chores of family life. "In our time all Greece was visited by a dearth of children and a general decay of population," lamented the Greek historian Polybius around 140 B.C., just as Greece was giving in to Roman domination. "This evil grew upon us rapidly, and without attracting attention, by our men becoming perverted to a passion for show and money and the pleasures of an idle life." But, as with civilizations around the globe, patriarchy, for as long as it could be sustained, was the key to maintaining population and, therefore, power.

Father Knows Best?

Patriarchal societies come in many varieties and evolve through different stages. What they have in common are customs and attitudes that collectively serve to maximize fertility and parental investment in the next generation. Of these, among the most important is the stigmatization of "illegitimate" children. One measure of the degree to which patriarchy has diminished in advanced societies is the growing acceptance of out-of-wedlock births, which have now become the norm in Scandinavian countries, for example.

Under patriarchy, "bastards" and single mothers cannot be tolerated because they undermine male investment in the next generation. Illegitimate children do not take their fathers' name, and so their fathers, even if known, tend not to take any responsibility for them. By contrast, "legitimate" children become a source of either honour or shame to their fathers and the family line. The notion that legitimate children belong to their fathers' family, and not to their mothers', which has no basis in biology, gives many men powerful emotional reasons to want children, and to want their children to succeed in passing on their legacy. Patriarchy also leads men to keep having children until they produce at least one son.

Another key to patriarchy's evolutionary advantage is the way it penalizes women who do not marry and have children. Just decades ago in the English-speaking world, such women were referred to, even by their own mothers, as spinsters or old maids, to be pitied for their barrenness or condemned for their selfishness. Patriarchy made the incentive of taking a husband and becoming a full-time mother very high because it offered women few desirable alternatives.

To be sure, a society organized on such principles may well degenerate over time into misogyny, and eventually sterility, as occurred in both ancient Greece and Rome. In more recent times, the patriarchal family has also proved vulnerable to the rise of capitalism, which profits from the diversion of female labour from the house to the workplace. But as long as the patriarchal system avoids succumbing to these threats, it will produce a greater quantity of children, and arguably children of higher quality, than do societies organized by other principles, which is all that evolution cares about.

This claim is contentious. Today, after all, we associate patriarchy with the hideous abuse of women and children, with poverty and failed states. Taliban rebels or Muslim fanatics in Nigeria stoning an adulteress to death come to mind. Yet these are examples of insecure societies that have degenerated into male tyrannies, and they do not represent the form of patriarchy that has achieved evolutionary advantage in human history. Under a true patriarchal system, such as in early Rome or 17th-century Protestant Europe, fathers have strong reason to take an active interest in the children their wives bear. That is because, when men come to see themselves, and are seen by others, as upholders of a patriarchal line, how those children turn out directly affects their own rank and honour.

Under patriarchy, maternal investment in children also increases. As feminist economist Nancy Folbre has observed, "Patriarchal control over women tends to increase their specialization in reproductive labour, with important consequences for both the quantity and the quality of their investments in the next generation." Those consequences arguably include: more children receiving more attention from their mothers, who, having few other ways of finding meaning in their lives, become more skilled at keeping their children safe and healthy. Without implying any endorsement for the strategy, one must observe that a society that presents women with essentially three options -- be a nun, be a prostitute, or marry a man and bear children -- has stumbled upon a highly effective way to reduce the risk of demographic decline.

Patriarchy and Its Discontents

Patriarchy may enjoy evolutionary advantages, but nothing has ensured the survival of any particular patriarchal society. One reason is that men can grow weary of patriarchy's demands. Roman aristocrats, for example, eventually became so reluctant to accept the burdens of heading a family that Caesar Augustus felt compelled to enact steep "bachelor taxes" and otherwise punish those who remained unwed and childless. Patriarchy may have its privileges, but they may pale in comparison to the joys of bachelorhood in a luxurious society -- nights spent enjoyably at banquets with friends discussing sports, war stories, or philosophy, or with alluring mistresses, flute girls, or clever courtesans.

Women, of course, also have reason to grow weary of patriarchy, particularly when men themselves are no longer upholding their patriarchal duties. Historian Suzanne Cross notes that during the decades of Rome's civil wars, Roman women of all classes had to learn how to do without men for prolonged periods, and accordingly developed a new sense of individuality and independence. Few women in the upper classes would agree to a marriage to an abusive husband. Adultery and divorce became rampant.

Often, all that sustains the patriarchal family is the idea that its members are upholding the honour of a long and noble line. Yet, once a society grows cosmopolitan, fast-paced, and filled with new ideas, new peoples, and new luxuries, this sense of honour and connection to one's ancestors begins to fade, and with it, any sense of the necessity of reproduction. "When the ordinary thought of a highly cultivated people begins to regard 'having children' as a question of pro's and con's," Oswald Spengler, the German historian and philosopher, once observed, "the great turning point has come."

The Return of Patriarchy

Yet that turning point does not necessarily mean the death of a civilization, only its transformation. Eventually, for example, the sterile, secular, noble families of imperial Rome died off, and with them, their ancestors' idea of Rome. But what was once the Roman Empire remained populated. Only the composition of the population changed. Nearly by default, it became composed of new, highly patriarchal family units, hostile to the secular world and enjoined by faith either to go forth and multiply or join a

monastery. With these changes came a feudal Europe, but not the end of Europe, nor the end of Western Civilization.

We may witness a similar transformation during this century. In Europe today, for example, how many children different people have, and under what circumstances, correlates strongly with their beliefs on a wide range of political and cultural attitudes. For instance, do you distrust the army? Then, according to polling data assembled by demographers Ronny Lesthaeghe and Johan Surkyn, you are less likely to be married and have kids-or ever to get married and have kids-than those who say they have no objection to the military. Or again, do you find soft drugs, homosexuality, and euthanasia acceptable? Do you seldom, if ever, attend church? For whatever reason, people answering affirmatively to such questions are far more likely to live alone, or in childless, cohabitating unions, than those who answer negatively.

The great difference in fertility rates between secular individualists and religious or cultural conservatives augurs a vast, demographically driven change in modern societies. Consider the demographics of France, for example. Among French women born in the early 1960s, less than a third have three or more children. But this distinct minority of French women (most of them presumably practicing Catholics and Muslims) produced more than 50 percent of all children born to their generation, in large measure because so many of their contemporaries had one child or none at all.

Many childless, middle-aged people may regret the life choices that are leading to the extinction of their family lines, and yet they have no sons or daughters with whom to share their newfound wisdom. The plurality of citizens who have only one child may be able to invest lavishly in that child's education, but a single child will only replace one parent, not both. Meanwhile, the descendants of parents who have three or more children will be hugely overrepresented in subsequent generations, and so will the values and ideas that led their parents to have large families.

One could argue that history, and particularly Western history, is full of revolts of children against parents. Couldn't tomorrow's Europeans, even if they are disproportionately raised in patriarchal, religiously minded households, turn out to be another generation of '68?

The key difference is that during the post-World War II era, nearly all segments of modern societies married and had children. Some had more than others, but the disparity in family size between the religious and the secular was not so large, and childlessness was rare. Today, by contrast, childlessness is common, and even couples who have children typically have just one. Tomorrow's children, therefore, unlike members of the postwar baby boom generation, will be for the most part descendants of a comparatively narrow and culturally conservative segment of society. To be sure, some members of the rising generation may reject their parents' values, as always happens. But when they look around for fellow secularists and counterculturalists with whom to make common cause, they will find that most of their wouldbe fellow travellers were quite literally never born.

Advanced societies are growing more patriarchal, whether they like it or not. In addition to the greater fertility of conservative segments of society, the rollback of the welfare state forced by population aging and decline will give these elements an additional survival advantage, and therefore spur even higher fertility. As governments hand back functions they once appropriated from the family, notably support in old age, people will find that they need more children to insure their golden years, and they will seek to bind their children to them through inculcating traditional religious values akin to the Bible's injunction to honour thy mother and father.

Societies that are today the most secular and the most generous with their underfunded welfare states will be the most prone to religious revivals and a rebirth of the patriarchal family. The absolute population of Europe and Japan may fall dramatically, but the remaining population will, by a process similar to survival of the fittest, be adapted to a new environment in which no one can rely on government to replace the family, and in which a patriarchal God commands family members to suppress their individualism and submit to father.

3.83 Re-creating the traditional patriarchal social structures

When we, the cultural conservatives, seize political and military control of Western European countries within 20-70 years we will re-establish the patriarchal structures by partly deconstructing certain matriarchal fundamentals. Doing so will ensure the survival of the nuclear family among many other factors. This should not be done by excessive regulation through banning women from attaining positions of influence (with the exception of areas relating to immigration, security and certain other segments). The Marxist ideologists of the Frankfurt school understood that the power of the patriarchy lies within the nuclear family. To illustrate this, look at Japanese and South Korean policies. They do not have any laws directly banning women from attaining positions of influence (becoming prime minister or president of a corporation). Yet they are traditional, patriarchal and very successful societies. Obviously, the Marxists did not succeed in Japan and South Korea as they did in Western Europe and the US. The Marxists knew that in order to deconstruct the patriarchy they had to undermine and delegitimise the structure of the nuclear family. To a Marxist, the nuclear family is nothing more than a miniature model of an oppressive state. By implementing measures which will secure and strengthen the relevancy of the of the nuclear family we will ensure considerable and far reaching results and it will be unnecessary to directly ban popular feminist doctrines. As soon as women once again will be conditioned through just institutions and are raised in a strong and unified nuclear family lead by a confident patriarch she will know her place in society and further regulations will be unnecessary. Directly banning a multitude of popular feminist laws is not a wise approach as it would be labeled as despotic and would undermine us in the long run. Instead, we must change A FEW strategic laws which will act as indirect force multipliers. The single most important regulation we have to change is the law that guarantees that the father will always get the custody of the child. It is the most essential law which will act like a positive domino effect. Law number two must be the regulation that criminalises physical disciplinarian methods. This will ensure order within the family and within our schools. Obviously, physical punishment will not be glorified and must only be used under extreme circumstances. However, the essential thing is that it will no longer be considered a criminal offence. The third law will be the abolishment of a regulation related to marriage. The law which facilitates the so called "no fault marriages". There might be other essential and strategic laws we will have to change but we should limit it to a minimum.

Fathers should be favored (prerogative rights) when child custody cases are decided in courts (ROUGH DRAFT)

The new laws will assume a powerful role in defining status, rights and appropriate behaviour. A fundamental revision of the married woman's place in the legal order lay at the center of the laws branches, domestic relations. Post-cultural Marxist (feminist)

changes in family life which was changed from a patriarchal manner to a matriarchal model in the 1970s will be reversed in order to combat an excessive feminisation of family structure and males in particular. The goal is to re-introduce the father as the authority figure and family head and will therefore strengthen the nuclear family. It is estimated that these changes will result in a decline of the divorce rate/broken families by approximately 50%. Furthermore, the father can without fear of being punished by the law, reassert an authority role in the family. Physical disciplinary methods will once again be a factor in the upbringing of children.

Post-cultural Marxist changes in family life, ones which cultural Marxist/feminist historians label as "modern" have proven to have a devastating impact on the nuclear family. These changes have contributed to the institutionalising of and implementing deliberate "broken family policies". Influenced by the society's growing glorification of single parent upbringing and female domestic supremacy, judges granted women supreme legal powers in family affairs. In the 70s bourgeois women mounted a campaign to attach superior legal rights to motherhood and thereby exterminated traditional domestic governance.

Changing these laws will reverse the destructive effects due the last four decades of feminisation. Divorce rates will be reduced by approximately 50% which will also contribute to reverse excessive self-centeredness (and lifestyles related to such behaviour). Men's domestic rights will be considerably strengthened. Fathers will regain the domestic courage to teach their children discipline, moral codes and traditional codex's without the fear of persecution or discrimination from the mother or the cultural Marxist regime.

A more moderate suggestion would include giving the fathers equal rights to the children relating to custody decisions.

Grandparents should play a central role in their grandchildren's life (ROUGH DRAFT)

Grandparents should have a central part in their grandchildren's life, and this newly re-introduces "civilisation change" should be reflected in government policies and how the medias glorifies it.

Lifestyles that propagate that sons and daughters move out and establish an independent life completely separated from their parents should no longer be glorified by the media. Instead, lifestyles glorifying the nuclear family should be propagated.

Re-introduction of the generational home, large homes with enough room for the children to raise the grandchildren in an environment where the grandparents play an essential part.

This social structure has several benefits:

Many single people live in small flats or in segments of apartments. Many are lonely and some commit suicide. Others refrain from establishing a family of their own because they know it involves significant burdens. This however, would not be the case if we followed the traditional family model (social structure) where generational home and the nuclear family are glorified by the media. The grandparents should play an essential part in their children's life. This will have positive social and economical effects for the society (costs for kinder garden and nursery homes will be substantially reduced and there will be significantly less suicides as a result of loneliness).

Physical disciplinary methods (ROUGH DRAFT)

More discipline at home, and school. This includes allowing physical disciplinary methods in extreme cases where this is needed (It is always needed as a last option). Because it is essential that children show the proper respect for the adult and know that the adult has the required "sanction methods/tools" in their arsenal without the fear of being persecuted by the state. A society (school institutions especially) cannot function properly without the right to allow physical disciplinary methods in extreme cases.

Family & Society - The Traditional Family is Disappearing (ROUGH DRAFT)

Area of Study: Social Theory, Social Structure and Change

The traditional British family structure is in decay and is facing extinction. Liberal permissiveness has wrecked havoc with our society and the results are there for all to see.

The recently published Social Trends report states that single parent households have nearly tripled from 4% in 1971 to 11% in 2008. The percentage of traditional nuclear family households had fallen by 52% to 36% over the same period and women are more likely to give birth by the time they are 25 than get married.

Consequences

- Since the early 1970s there has been a decline in marriage, and a marked rise in the numbers of lone parent families.
- The ongoing rise in family breakdown affecting young children has been driven by the dissolution of cohabiting partnerships. The majority of these are less stable than marriage (European data shows that by a child's fifth birthday less than 1 in 12 (8%) married parents have split up compared to almost 1 in 2 (43%) cohabiting parents).
- The intergenerational transmission of family breakdown and its associated disadvantages is seen in the way children who have been neglected or un-nurtured are highly likely to go on to create dysfunctional families subject to further breakdown. Similarly there is an overrepresentation in teen pregnancy statistics of girls from fatherless and broken homes.
- Crime is strongly correlated with family breakdown - 70% of young offenders are from lone parent families and one third of prisoners were in local authority care (yet only 0.6% of the nation's children are in care at any one time).
- Costs of family breakdown to the exchequer are estimated to be well over £20bn per annum in Britain alone.

By Edna McNicholas (Note: Edna McNicholas wrote this essay using a cultural Marxist/PC narrative)

Family forms are shaped by the attitudes toward gender roles in a given society which, in turn, are influenced by the demographic, social, economic, and political realities of the time. The traditional family, idealised during the Victorian era and reestablished in the

1950s, is identified as a unit consisting of a married couple with two or more children where the breadwinning father goes out to work while the mother stays home to keep house and care for the children and her husband. This profile of the family, which reflected and was supported by the prevailing attitudes and realities of a particular period which no longer exists, continues to be lauded, endorsed, and longed for by right wing politicians and religious groups.(1) However, due to the major socio-cultural changes of the past three decades, a variety of family forms has emerged and now the traditional family accounts for "only 5 percent of American households."

The Way We Were

After the second world war, government propaganda was combined with effective advertising, and supported by Freudian psychology, to restore the traditional family as the societal norm where women were assigned the identity of wives and mothers, with increased emphasis on gender difference, and men assumed the role of breadwinners and strong, male heads of families. In this traditional family, specific male and female gender roles are instilled in the children from the outset. Males learn to be assertive, aggressive, and dominant while females learn to be docile, gentle, and passive. They learn that men are expected to be tough, courageous, and rational while women are expected to be tender, timid, and emotional. They learn that men are the power holders while women are expected to be submissive, that men make the decisions while women are expected to comply. In other words, the traditional game which is called gender-role socialisation is really a very clever way of ensuring that women learn that their place in the scheme of life is to be dependent on and subservient to men where they are denied direct access to economic opportunity and control of their own sexuality. However, such gender-role socialisation also takes its toll on men's physical and mental health because it necessitates repression of their feelings and denial of their needs. It seems that traditional gender-role socialisation "limits the options and opportunities open to males as well as females" and can prevent both from achieving their full human potential.

Black American families were not confined by such gender-role socialisation because the segregation laws that operated to keep black men out of the labour force thrust black women into the role of breadwinners for their families and thus contributed to more equitable gender roles in black households. Black parents instill both instrumental and expressive behaviours in their sons and daughters from an early age because they learned from their own experience that "black men and black women had to develop together strength, perseverance, and resiliency in order to survive."

Changing Times

In the 1960s, family life began to change when the student movement led the revolt against sexual repression, social injustice, the Vietnam war, and racial discrimination. This was the decade when the baby-boomers came of age and changed societal norms irrevocably. This was the decade when the civil rights movement challenged the discriminatory laws and practices of white supremacy, and equality of opportunity became the right of black Americans. This was the decade when the second wave of feminism emerged and gave birth to the women's movement, a movement that has had the most lasting and profound effect on both public and private life in America. In short, this was the decade when children, women, and men challenged the patriarchal, authoritarian structures of family, society, and government and demanded equal rights for all, regardless of gender, colour, or race. In my discussion, I will focus on changes in gender roles in relation to economic opportunity and sexuality, and how these changes contribute to the autonomy versus intimacy struggles in human relationships.

Changes in Gender Roles

Economic Opportunity

In the traditional family, men were socialised to develop instrumental behaviours and women were socialised to develop expressive behaviours. This insured that, while men had direct access to economic opportunity and independence, women were always dependent on their husbands for social and economic rewards. As access to economic opportunity is a source of power and prestige in all societies, it follows that women lacked this power and prestige because of their confinement to the domestic sphere. In order for women to achieve equality of status with men, it was imperative that they participate in paid employment in the public sphere and that they have some degree of economic independence.

With this emphasis on changing their role, unprecedented numbers of women have not only joined the labour force since 1960 but have also become highly educated and have won the right to compete with men in all areas of professional, business, and public life. However, even though women have achieved equality of status through education, occupation, and income, a corresponding change in men's roles has been slow to develop. While men have supported the changing role of women, at least in areas in which it benefits them, many have allowed their wives to continue to take full responsibility for the domestic sphere in addition to their sharing in the breadwinning role and have failed to see that "to be effective, change must move in two directions: men must share in domestic and childrearing tasks even as women share in the world of outside work."

Sexuality

Prior to the 1960s, abstinence from premarital sex was considered the official standard for men and women. However, the double standard, which holds that sexual intercourse before marriage is permissible for males but not for females, was widely practiced. In the 1960s, young people rejected the double standard and set more egalitarian standards: permissiveness with affection, and permissiveness without affection. Permissiveness with affection allows premarital sex between males and females when love is present; permissiveness without affection sanctions premarital sex for fun between a man and a woman in a casual relationship. As men engaged in such behaviour down through the decades, the greatest changes in premarital sexual norms have been changes in female behaviours.

Changes in sexual behaviours are influenced by the social realities of the time and in the 1960s the United States was not only becoming a postindustrial society but was also engaged in a major war with Vietnam. Society was in a state of turmoil and young people especially were questioning its values and its morals. The upsurge in premarital sexual permissiveness during this period is viewed as the "desire for autonomy, for control over one's own sexual destiny." Women wanted the right to control their own lives and what better time to stake their claim on their autonomy than at the beginning of a new era.

While the goal of feminism is the achievement of equality of standards in attitudes and behaviours for both men and women, feminists did not necessarily envisage an increase in sexual permissiveness. However, the findings from sociological research carried out during the 1970s among female and male teenagers indicate that they were much more sexually active at the end of the decade than they were at the beginning. Studies undertaken among college students point to a similar pattern, especially among women. Not only has the sexual behaviours of teenagers and young adults changed during this period, their attitudes toward the morality of this behaviour has also changed considerably. Between 1969 and 1985, the number of young adults who do not believe that premarital sex is wrong increased by almost 35 percent.

An increase in premarital pregnancies is the most likely outcome of an increase in premarital sexual activity, unless couples are using reliable forms of contraception. The

responsibility for the use of contraception usually falls to the woman because she is the one who is most likely to have to deal with the costs and rewards related to both contraception and pregnancy. The decision to use contraception is influenced by a woman's attitude toward her own sexuality, gender roles, and her sense of autonomy as well as her relationship and communication with her partner. Women holding egalitarian attitudes toward gender roles who choose to become sexually active with their partners for their own pleasure and expressive needs, also choose to protect themselves from unwanted pregnancies by using reliable forms of contraception. Young adolescent women, molded in the traditional gender-role pattern, may become sexually active at an early age in order to boost their self-esteem and are unlikely to take contraceptive precautions.

With increasing emphasis on egalitarian gender-role conditioning, many men are moving away from the stereotypical sexual aggressor attitudes of the traditional male when women were considered the subordinate, sexual conquests, and are looking for the expressive qualities of mutual love and caring in their sexual relationships. Similarly, women look for equality in their sexual relationships where they are active participants rather than passive objects. "The popularity of the permissiveness-with-affection standard may indicate some convergence in the perspectives of considerable numbers of women and men who want something more than casual sex."

Marriage

Traditionally, a man and a woman became involved in a steady dating relationship as a preparation for marriage. Men looked for partners whose physical appearance would enhance their image, and women looked for partners whose achievements, financially and socially, would provide security and social status. These choices reflected the self-identity of both parties: women saw themselves in terms of their physical attributes with their future role revolving around the needs and desires of their husbands; men saw themselves in terms of their accomplishments and career prospects, with an additional future role as breadwinner and head of his family.

In the past three decades, all of this has changed as feminist-minded women emphasise their own instrumental as well as expressive qualities, and look for more expressive and intellectual qualities in the men they choose for long-term relationships. Men who are open to more egalitarian gender roles focus less on physical qualities and more on the expressive and intellectual qualities of women. Women's sense of autonomy is also evident in their tendency "to initiate dates and to share date expenses." (20) Feminist-minded women no longer wait to be chosen, they choose for themselves the men they want to be with in exclusive relationships.

Marriage is not necessarily the goal of long-term relationships in today's world. "Individuals are expected to be deeply committed to the current serious relationship in an exclusive dating partnership, a living-together arrangement, or a socially recognised marriage." When couples decide to marry, they do so in the belief that it will provide the rewards and satisfactions they seek in terms of both instrumental and expressive exchanges.

Autonomy versus Intimacy

In traditional relationships, men had autonomy and authority while women had neither. Women were expected to be submissive and subservient, without the right to their own opinions, feelings or needs. In modern relationships based on equality of gender roles, female and male autonomy are of equal importance, and intimacy, the mutual sharing of the being of each partner, is of vital importance to the continual development and deepening of mutual trust and love. According to Scarf, each partner not only brings herself or himself to the relationship but also the influences of known and unknown

family backgrounds which have a profound bearing on the struggle between autonomy and intimacy in the relationship.

Each person in a relationship needs space to be a person in his/her own right, to pursue independent goals which meet his/her independent needs. Each one also has intimacy needs, the need to set aside time for the sharing of oneself in love and closeness with the other. However, despite the modern emphasis on equality of gender roles, both men and women are still influenced by the traditional gender-role conditioning which demanded that women be the love- and caregivers to their highly-sexed, emotionless husbands and that men be the strong, male providers for their fragile, emotional wives. Women feel guilty about having autonomous needs and feel they should be always available to provide the love and the closeness in the relationship, while men feel they should be strong and independent and cannot admit to their need for love and closeness. For both men and women, the struggle is also in the questions: how much they can give of each other to each other in intimacy without losing their autonomy, without being absorbed into the identity of the other; and, how can they "be intimate without exposing yourself to the terrible possibility of rejection and abandonment?"

Today, the struggle between autonomy and intimacy is part and parcel of the deepening and development of mature, loving relationships.

Also, see the full report; Breakthrough Britain:

<http://www.centreforsocialjustice.org.uk/client/downloads/family%20breakdown.pdf>

Solutions: The Japanese model, the South Korean model

3.84 Knights Templar and ethnocentrism

Knights Templar has three primary functions;

1. To act as a pan-European Crusader Movement for the banishment of Islam from Europe
2. To act as an Indigenous Rights Movement; to serve the interest of the European ethnic groups and to destroy cultural Marxism/multiculturalism
3. To act as a War Crimes Tribunal

As one of the core doctrines within cultural Marxism/multiculturalism is to systematically deconstruct the European majority ethnical groups, it is our task to prevent this from happening.

As such, KT can be viewed as a partly ethnocentric organization. However, since the doctrines surrounding ethnocentric/indigenous principles is relatively vague and not very specific it is up to each and every Justiciar Knight to make his own personal

interpretation. It is to be expected that individual Justiciar Knights representing the various cultural conservative denominations that adhere to KT primary principles will have different interpretations of these important issues. The issues we should agree on is that any and all definitions must be made for the purpose of protecting indigenous peoples of Europe without harming indigenous people in other regions of the world.

Our aim should be to implement a cultural conservative political model similar to the South Korean and Japanese model, which is the same model used in Europe in the 1950s.

The following interpretation of these topics is my own:

Topics that are considered political incorrect and difficult to discuss openly even among some revolutionary conservatives

What type of rhetorical approach should you use when openly arguing against the demographical annihilation of the European tribes?

In order to understand the question, there are certain historical and ideological aspects that have to be reviewed;

Introduction to the premises for answering the question

Today's multiculturalist establishment is a direct result of Soviets WW2 and cold war victory. It wasn't a total victory for the Soviets as capitalism and the free markets obviously survived, but culturally, it was a disaster as multiculturalism (internationalist Marxism) prevailed and was gradually institutionalised in Western European countries spearheaded by the the UK, French and German left wing establishment. According to the history books; the West allegedly won the cold war because Soviet collapsed... However, the truth of the matter is that the Soviets managed to pass on its cultural Marxist legacy to Europe through its 100 000 – 200 000 European Marxist Trojans who really should have been executed after WW2 but which instead were allowed to infiltrate school/university institutions and cultural arenas. These Marxists managed to indoctrinate enough people during the 50s and 60s who combined contributed to the decisive 1968 Marxist cultural victory in Western Europe and the US. During this time, the conservatives of Europe, especially Christians, nationalists, traditionalists but also capitalists, failed to defend the cultural conservative world view unlike the cultural conservative movements in Japan and later South Korea. The reason for this was because of the general institutionalised persecution of nationalist/traditionalist oriented individuals after WW2 in Europe due to the defeat of the Nazis. The logic was; since the NSDAP were nationalists, among other things, all conservatives, nationalists and traditionalists are automatically Nazis and therefore evil. This notion was allowed to be developed and was later manifested through the new ideology; multiculturalism/extreme egalitarianism, which is an anti-European hate ideology designed to deconstruct our European cultures, traditions, identities, Christendom and even our national states. Another factor was that an overwhelming majority of the right wing were not, and still aren't today, politically active. The Marxists have always had a talent for infiltration and psychological warfare, infiltrating everything from Workers Unions to hippie movements, environmentalist movements, universities, news corporations which they used to further project and propagate their cultural world views. They have also traditionally been a lot more active when it comes to arranging demonstrations (often spearheaded through the Workers Unions and other organisations they had already infiltrated), while the right wing were, and still are, usually only focused on serving their own needs, feeding their own egos, developing their companies and generally minding their own business.

Ok, back on topic; what on earth are the Nordic/Germanic tribes and why are we disallowed to preserve especially the Nordic/Germanic tribes today?

In order to understand the evil and suicidal European Marxism of today you must first learn about National Socialism:

Nordicism (also referred to as the "Nordic theory") is the ideology of racial superiority which claims that the Nordic race (the Germanic peoples/tribes), would constitute a master race because of an innate capacity for initiative, long term planning and leadership. The reasoning for this theory is that the Nordic peoples has been forced to, due to the cold arctic climate, to logistically plan ahead for up to 6 months per year to be able to survive the cold winters. In addition, all the weak elements of the tribe usually perished due to the harsh climate leaving only the strong and intelligent left. When this process of elimination was the case for specific tribes over a timeline consisting of thousands of years it is claimed that the descendants are superior when it comes to initiative, long term planning and intelligence compared to people who live in warm climates with easy access to food and water. Nordicism was prevalent mainly in the late-19th and early 20th centuries in Western Europe and North America and came to be a major influence on Nazism. Multiculturalism is a reactionary ideology to Nordicism which in many ways aims to completely wipe out the Germanic tribes and other European tribes as Europeans are defined, according to hardcore internationalist Marxists, as a cancer to this world as it is claimed that our ancestors were evil. As such, the ideology of multiculturalism, which of course only applies to European countries ("the white man is the devil, not the yellow man – Japan/South Korea").

Madison Grant, in his book *The Passing of the Great Race*:

Madison Grant, in his book *The Passing of the Great Race*, defined the "Nordic" type as "long skulled, very tall, fair skinned, with blond hair and light colored eyes. The Nordics inhabit the countries around the North and Baltic Seas, and include not only the great Scandinavian and Teutonic groups, but also other early peoples who first appear in southern Europe and in Asia as representatives of Aryan language and culture." The Germanic tribes is another word for Nordics.

While the concept of Nordic race became intertwined with a northern and northeastern European cultural identity, the Alpine race was thought to predominate in central/Eastern Europe through to Turkey and the Eurasian steppes of Central Asia and Southern Russia and was said to be characterised by short stature, dark hair, dark eyes, narrower shoulders, a darker complexion and comparatively round head. The Mediterranean race was thought to be prevalent in Southern Europe, the Middle East and North Africa as well as in Wales, and was said to be characterised by dark hair, dark eyes, aquiline nose, swarthy complexion, moderate-to-short stature, and moderate or long skull.

Present and current distribution of Nordics, Alpines and Mediterranean's in Europe:

http://upload.wikimedia.org/wikipedia/commons/4/4a/Passing_of_the_Great_Race_-_Map_4.jpg

According to Madison Grant and several other authors; there are three European races. These are; Nordics/Germanics (Iceland, Norway, Sweden, Denmark, Germany, Finland and to a high degree the UK, Ireland, Poland, Czech Republic, Slovakia, Benelux, Baltic's, Switzerland but also to a large degree Russia, Ukraine and Belarus (the Nordic parts). There are also 40-80 million Nordics in the US and a few million in Canada and Australia.

As covered in another chapter; within approximately 100-150 years or within 4-5 generations (if the current development is allowed to continue) the Germanic/Nordic race in several countries will be diluted or annihilated to such a degree that there will be no one left with Nordic physical characteristics; blond hair, blue eyes, high forehead, sturdy cheekbones. As such, the Nordic tribes will become extinct if we do not resist and seize political and military control of our countries. To illustrate the ongoing demographic annihilation of the Nordic peoples; in 1900 there were 50% Nordics in the US (blonde hair, blue eyes). But now, as a result of primarily non-European immigration, there was in 2008 ONLY 16%.

Solutions

The only way to prevent the ongoing genocide of the Nordic tribes is if either;

The Marxist regimes in Europe grant us privileges by either completely liberalising the biotechnology-laws. They must encourage and even directly sponsor repro-genetics programs on a private and/or state level, which facilitates reproduction clinics who focus strictly on indigenous genotypes from pure sources (non-diluted (95-99% pure) Nordic genotypes) found in Northern Sweden and other areas where this is available. The European Marxist regimes will never allow or contribute to this which only leaves two options;

Conservatives/nationalists/traditionalists in each European country are given reservations where we can exercise autonomy (political control) just like the Native Americans after their defeat against the US Army. This is not acceptable yet to a large majority of conservatives as we expect to defeat the cultural Marxist regimes of Europe within 70 years. The third option should be outlined as follows;

Conservatives must seize political and military power through a combination of armed and democratic struggle within 70 years and implement the above policies. The alternative is the continued bastardisation model, very similar to the Brazilian model; where it has been (due to the Brazilian Marxist revolution) established a melting pot of European/Asian/African mix. These policies have proven to be a catastrophe for Brazil and other countries that have institutionalised and facilitated widespread race-mixing of Asians/Europeans/Africans. Brazil has firmly established itself as a second world country with an extremely poor degree of social cohesion. The results are evident and are manifested through a large degree of corruption, lacking productivity and eternal conflict between the various competing "cultures" as the myriad of newly established "sub-tribes" (black, mulatto, mestizo, white) paralyzes any hope of ever reaching the same level of productivity and harmony as for example Scandinavia, Germany, South Korea or Japan. Seeing the lack of social cohesion in Brazil, and the average productivity of the average Brazilian, it is evident that a similar approach in Europe would be devastating and nationally retarding, not to mention that it would be a grave crime (genocide) to contribute in any way to the annihilation, deconstruction and genocide of the indigenous peoples which are Nordic by definition.

Argumentation techniques - Victor vs. victim?

Instead of overly focusing on formulating arguments based on the superiority and intelligence of Europeans you should primarily focus on indigenous European rights; that the Nordic tribes and the rest of the European tribes are on its stable course towards extinction because of multiculturalism's facilitation of Islamic demographic warfare. Instead of just presenting arguments, convert arguments into questions. The best arguments ARE often questions.

What will the government do to prevent the ongoing Islamic demographical warfare against European?

What will they do to prevent the Nordic ethnic group in given country from going extinct?

How do they justify the ongoing demographical annihilation of the Europeans?

Why do they continue to allow mass-Muslim immigration in combination with Marxist procreation policies (feminism resulting in a low birth rate) when they know that these policies will result in our extinction?

Why are they so arrogant that they claim that the only solution to our problems, the cultural conservative world view, is an evil Nazi ideology while the cause of all our problems, their cultural Marxist world view, is the only truth?

Why are the Native Americans granted reservations (completely reserved for their ethnic group) while indigenous Europeans aren't awarded the same basic human rights?

Why are the indigenous Native American tribes treated with more dignity and respect than indigenous European tribes?

These are all good questions we should focus on in the decades to come. A good strategy in Europe is therefore to focus on indigenous rights. Preserving our "tribe", our culture, traditions, Christendom etc. is in fact the most basic of all human rights that takes absolute precedent before ridiculous Marxist-humanist demands for allowing another 10 million Islamic asylum seekers residence.

Be on the offensive; never argue in a defensive manner. No matter what approach you choose, when for example defending the fallen martyrs of our movements, be smart. Don't go into specific topics in situations where it isn't relevant. You will easily lose the discussion if you talk about Islamisation and you suddenly start to discuss the Nordic genotypes. Islam is not a race after all but an ideology. Separate the discussions and stick to each topic instead of cross shifting. These argumentation techniques are all reverse-engineered Marxist arguments and are all very effective. The Marxists have traditionally been the best propagandists and we have a lot to learn from them. NEVER underestimate our enemy!

The true definition of racism vs. the Marxist definition

Don't let the multiculturalists define what racism is or isn't. Keeping an African against his will in your basement as a slave is racism. Loving your extended family/your ethnic group and fighting for ethnic and/or indigenous rights does not make you a racist, quite the opposite in fact. It makes you a civil rights activist. Creating a pro-indigenous and/or pro-ethnic movement does not make it a "white supremacy" movement but rather an Indigenous rights movement or even a civil rights movement. Anyone who calls you a racist due to these reasons proves very clearly that HE is the real racist, as he obviously ONLY attacks European rights movements. He is therefore an anti-European racist supporting the anti-European hate ideology known as multiculturalism.

The cultural Marxists/multiculturalists have gone to great lengths to change the very definition of the word; racist. Europeans having African slaves on a plantation WAS racist, the apartheid system WAS racist (deportation and a two state solution would have been the right way to go). However, loving your ethnic group and fighting for the interests of your tribe is NOT and will never be racist. Nevertheless, the cultural Marxist systems would have everyone think otherwise.

Creating a pan-Nordic union?

I don't see why we shouldn't actively strive for the establishment of a Nordic League propagating Nordic interests, following the design of the Arab League. After all, why shouldn't we, Scandinavians, Nordics, Germans and to a large degree Brits, Americans, Polish, Czechs, Swiss, people from Benelux and Balticum be allowed to feel pride in our ethnic heritage and fight for our ethnic interests? Shouldn't WE have the EQUAL right to actively pursue and protect our interest based on ethnic origin when Arabs, Pashtuns, Africans, Kurds, Tibetans, Aborigines, Native Americans, Rom/Gypsies are allowed to?

Why are we labeled as Nazi monsters when we do and they are tolerated, encouraged and even supported financially? The answer has been explained in this compendium on multiple occasions. It is because the current US/EU cultural Marxist hegemony is a racist and evil empire which has embraced a hate ideology equal to Stalinist Communism and Nazism. Multiculturalism IS as evil and racist as Nazism and as brutal as Stalinism. They don't use the same persecution methods, instead they ratify hate laws and get their propaganda machine (MSM) to character assassinate people, ridicule them resulting in conservatives losing their jobs, family and committing suicide. Multiculturalism must be destroyed as soon as possible, or we, all European tribes, will cease to exist within 100 years!

You are not alone - 14 David's against one Goliath

I am extremely proud of my ethnic group, Norwegians which is a Northern-Germanic tribe. Furthermore, I seek to serve Norwegian AND European interests in everything I do. I would not hesitate to sacrifice my own life for the English, Slavic, Jewish, Indian, Latin or French tribes in their fight against the EUSSR/US multiculturalist hegemony. All European and non-European conservatives, nationalists and traditionalists must support each other as this cultural Marxist/multiculturalist global hegemony is our common enemy. I would never betray a brother tribe whether it be a Scandinavian, Frankish, English, Latin, Slavic or other European tribe. It is essential that we fight for Europe, consolidate cross borders, and do our best to acknowledge that this is a European struggle. Because after all; the destruction of the US/EU cultural Marxist tyranny cannot, obviously, be defeated by Norwegians alone, nor Brits, nor European Americans. ANY Christian European, anywhere in the world, can become a Justiciar Knight for the Knights Templar. As a Justiciar Knight you have been given the mandate to execute category A and B traitors by the war crimes tribunal known as PCCTS, Knights Templar. This is a Pan-European civil war and its outcome will decide the very survival of our peoples whether you are a French, Greek, European American, European Canadian, European Australian, Afrikaner/Boer etc. We will not win this war unless we work together as European conservatives.

So, back to the initial question; what type of rhetorical approach should you use when openly arguing against the demographical annihilation of the Nordic ethnic groups or any other European ethnic groups?

Marxist demonisation techniques and psychological warfare

Sadly, you will be indirectly or directly labeled as a racist or even as a Nazi monster by the Marxist establishment (government institutions and the MSM - multiculturalist media) if you attempt to openly argue for the immediate halt to the ongoing demographical genocide of the Nordic peoples. However, you can use other words than "race" to more effectively dodge such characteristics. By using words as tribe or ethnic group you may be able to more effectively communicate your message.

It should be noted that NSDAP did not win the initial election by propagating their true agenda. The "political game" is not any different today. You can never win an election by being honest. The Internationalist Marxist aren't honest and never have been (they want to destroy/deconstruct everything European) and, unfortunately, neither can we (we want to save/preserve everything European). The appropriate way is therefore to be careful when arguing and at least keep the ideals alive within ourselves and in an unofficial ideological environment until the day it is possible to implement ALL of our policies. Sticking to anti-Islamisation rhetorical strategies is one convenient way of doing this. We don't have a lot of time, only 70 years max until the Muslims reach 60%, so we must act as soon as possible and continue the ongoing European conservative consolidation process until the time we, collectively as European revolutionary movements, are strong enough to successfully effectuate the first European coup d'état with enough backing from our own police/military forces and a nuclear power (from Russia for example) to prevent a subsequent US/NATO intervention.

End note: the PCCTS, Knights Templar are not in any way Nazi sympathizers. Preserving your tribe, cultural and demographical, is a basic human right and has nothing to do with "white supremacy". After all, we do not seek to enslave or in any way harm or exploit Africans, Asians or their respective countries. We are a conservative organisation propagating cultural isolationism, similar to South Korea and Japan unlike the NSDAP which was a left wing organisation, they hated Christendom, capitalism and propagated a strict definition of socialism. So do not make the mistake of allowing the Marxists/multiculturalists to label you as a Nazi. As a Justiciar Knight of Knights Templar Europe, we are anti-Nazi and approximately 40% of our policies do not coincide with NSDAPs policies.

Race-mixing and interracial relations; necessary to create the global utopia lead by the Marxist-Islamic UN or the ultimate crime?

The PCCTS, Knights Templar, obviously, does not have any pre-defined specific policies or principles concerning race-mixing. The following are my own views concerning the theme.

I have for a long time dreaded the thought of writing an essay about this subject. Primarily because it is considered politically incorrect by even many of the most dedicated conservatives and it is considered an efficient way to commit character suicide for individuals who have ambitions to appeal to the bulk of the masses in this early stage of the European civil war. On the other hand, if you're Arab, Pashtun, Kurd, Pakistani, Japanese, South Korean or belong to any other non-European tribe then it's a completely different matter. Then it's all about showing cultural tolerance and respecting their customs. But if you're a European and say the same thing, God forbid, then you're a monster. This double standard effectively shows us the anti-European nature of multiculturalism. A large amount of the current multiculturalist elites in the EU/US, the category A and B traitors specifically, are focused on the destruction of European culture, Christendom, European identity and there is not a more efficient way of destroying the core of everything European than facilitating the gradual deconstruction of the European ethnic groups. The norm and practice for adopting non-European babies has more or less been institutionalised, bio-laws have been restricted, mass non-European immigration has been encouraged along with allowing and even subsidising the non-European explosive birth rates.

The sum of these deliberate genocidal practices when mixed with Marxist procreation policies (feminism) is equal to the demographical annihilation of European ethnic groups if they are allowed to continue.

A majority of conservative revolutionaries have been familiar with these methods of deliberate cultural annihilation for decades now. I know for a fact that it can be very frustrating to fight for reversal of the above doctrines because you feel like an ant trying to defeat a 7-headed monster.

Any public figure that openly opposes race-mixing or interracial relations and instead propagate the preservation of his tribe is aggressively persecuted, ridiculed and/or ignored by the European multiculturalist regimes, manifested by NGOs and the cultural Marxist mainstream media. So basically; if you as a public figure, utter any opposition or reservation to race-mixing, your career will likely be instantly destroyed. The multiculturalist glorification of race-mixing and interracial relations does, however, not correspond to or reflect reality, the wishes and the views of the large majority of Europeans.

I would claim that approximately 80-90% of Europeans (95% of men and 65% of women) have chosen or will choose to find a partner within their ethnic group while more than 95% of Asians and 95% of Africans will chose the same path. These people reject the notion of finding a partner (with the intention to procreate) outside their own tribe. These are facts that obviously do not correspond to the cultural Marxist desire to create a "one-world, one people", united under the Marxist-Islamic UN.

The cultural establishment, spear-headed by the entertainment industry and the MSM are doing everything they can to glorify and propagate race-mixing by creating movies, series and other coverage which illustrate "happy interracial couples" in the hopes that they will succeed to indoctrinate as many as possible. Very few people are buying into this though as they see the dire consequences of this irreversible action.

Would you actively contribute to further the demographical annihilation of your ethnic group?

80-90% of all Europeans would oppose (or at least be disappointed) if their sons and daughters married and/or procreated with a non-European. This principle and tradition of procreating within the tribe is universal and applies to the great majority of the world's races and ethnic groups whether they are Japanese, Pashtun, Arab, South Korean, European American, Russian, French, and Swedish etc.

It is a well known fact that an overwhelming number of ethnic groups consider racial/ethnic purity to be the very center of their cultural identity. Those familiar with Taiwanese, South Korean and Japanese culture can attest to that. Racial/ethnic purity IS and always has been extremely important to the Japanese and South Koreans (in addition to Europeans and Arabs), in fact so much that attitudes concerning these matters are completely dominating without these principles being actually written down. This is also the case in more or less every single non-cultural Marxist country. Non-cultural Marxist countries are commonly known for their societal patriarchal structures compared to cultural Marxist countries where the matriarchal structures are dominating (Europe, ex-USSR, US and to a certain degree Latin America).

Arab countries are very concerned with racial/ethnic purity as their Arab origin is directly connected to their blood-relation to Muhammad. It is considered the greatest of all honours to have a genetical relation to their prophet. This is so evident that non-Arab Muslims are considered second class Muslims. Pakistanis, Indonesians, Kurds, Berbers, Persians and Africans have been severely discriminated for centuries in the Islamic world as a result of them not being Arab. The Arab League, an important political force in the greater Middle East works more or less exclusively for ethnic Arab interests. They may help non-Arabs but will always support Arab interests before other ethnic groups. These

policies of Arabisation are very similar to the Nazi policies before and during WW2 and involve more than 30 countries in the Middle East and Africa.

Race-mixing propagandists: Heidi Klum, Elin Nordgren, Madonna, Brangelina, Lady Gaga etc - An irreversible action, the eternal loss of your extended ethnic family

The witty comment stating; "if you go black, there is no turning back" actually underlines the severity of the decision involved in race-mixing. It is quite a paradox as specific European entertainment stars (including but not limited to Heidi Klum, Elin Nordgren, Madonna, Brad Pitt & Angelina Jolie, Lady Gaga chooses to propagate and glorify race-mixing either through direct or indirect (adoption) choices. The only reason that many of these individuals became famous in the first place was specifically due to their Nordic/European physical characteristics, rare characteristics that have been acquired through an evolutionary process which has taken more than 1 million years. These characteristics, both physical and psychological are then wiped out forever, due to their miscalculated decision. Obviously, the offspring of these entertainment stars will never receive the same opportunities as they, themselves, once did. It is obvious that Nordic entertainment super-stars like Scarlett Johansson (60-70% Nordic purity), Gwyneth Paltrow (70-80%), Pamela Anderson (90-95%), Paris Hilton (70-80%), Taylor Swift (80-90%) would have never been where they are today hadn't it been for their distinct Nordic physical characteristics. They would have never, in a million years, managed to reach their current status of fame had they belonged to another ethnic group. Same can be said about several other superstars with Nordic physical features such as individuals from Marilyn Monroe to Megan Fox. So why not embrace their Nordic gift by contributing to preserve Nordic culture instead of throwing it away and robbing their children of the same opportunities they once received? It should be noted that the US was composed of 50% with blue eyes in 1950 but this number has been reduced significantly and was in 2008 only 16%. By 2020 it is estimated to be less than 8%.

Recessive vs. dominant genes

Blue eyes and blond hair (and possibly many psychological traits) almost never survives a race-mixing process due to the fact that Nordic genotypes are recessive unlike for example African, Arab or Oriental genotypes which are considerably more genetically dominant. In order to dominantly dilute an African individual it would require 5 individuals of Nordic descent. Thanks to their parent's carelessness, their offspring will be cut off forever from their "extended ethnic family". They will become, tribe-less individuals and many are likely to either swear allegiance to extreme cultural Marxism/multiculturalist ideological views (90%) or choose the extreme right (>10%). They often hate their parents for what has been done to them, as they are neither European, African nor Asian.

The Nordic ideal – our tribe counts 200 million individuals as of 2010

There are many non-Nordic that try to mimic Nordic beauty by dyeing their hair blond and wearing contacts. So why not offer our children the actual genetical gift instead, through repro-genetics, rather than spending thousands of Euro and thousands of hours on make-up trying to mimic the Nordic ideal?

As the Nordic ideal obviously is still prevalent in this multiculturalist world it may not be too late to prevent the extinction of the Nordic tribes. We are still a strong tribe, representing the most numerous in Europe, counting more than 200 million individuals worldwide.

Solutions to prevent the extinction of the Nordic tribes and for implementation of conservative principles

The key to our survival is to liberalise the strict bio-technology laws and to commercialise and glorify repro-genetics while there is still a sustainable selection of Nordics of 99% purity left (this window of opportunity will be forever lost within 150 years). Not only will we have the option to secure our survival but we will be able to purify our tribe and add several IQ points to our off-spring in the same process. This solution is non-violent and is likely to prevent future war as all ethnic groups would have the possibility to secure their own genetical survival. Repro-genetics offer everything Europe could ever dream of with very few drawbacks. Loyal and productive non-Europeans would be able to stay as we wouldn't live in fear of being demographically conquered or being exploited financially.

In order for this to be a reality, it is only required that ONE single conservative/nationalist nation leader embrace the idea in the future, as soon as we have managed to seize political and military control of the specific country. Because as soon as the fruits from that specific country is revealed to the world, other conservative leaders will have no choice but to copy the concept. The alternative is that they would significantly fall behind economically/technologically due to the fact that their average IQ/social cohesion would be too low in comparison. In addition, they would continue to suffer under the current myriad of inheritable diseases and conditions which would continue to take a significant financial toll on the respective regimes. The first anti-Marxist country in Europe to fully embrace repro-genetics will become the new economical and technological global super power! And as the European alpha-males instinctual drive to preserve their genes would be rendered an obsolete concept, it would contribute to a potentially eternal peaceful Europe providing that other conservative principles (including the policies to prevent over-population in the world) would be implemented as well.

Obviously, these policies of "civilizational-shaping" nature cannot be implemented by a mass-democracy of the current European caliber as the current political model lacks consensus and thus authority and implementation force and efficiency. A future model, however, similar to the fascio-democratic model of Russia and China has the potency to implement the required cultural and security reforms. An alternative model where females have reduced influence on security and cultural issues through a guardian council has been presented in another chapter.

Race-mixing leads to suicidal children with severe mental problems

The offspring of race-mixers will feel like outcasts and it is very common that these individuals suffer from severe psychological problems throughout their life. Their parents obviously do not care as it would appear that their children's psychological health and general well being is irrelevant to them. The suicide rate among these individuals is extremely high, which reflects the suffering they are put through by not having an extended ethnic family. A majority of Europeans sees ethnic, blood-bonds as the most essential cultural factor and considers their ethnic tribe to be their extended family. This issue is extremely politically incorrect to discuss, due to the current cultural Marxist regimes but it is not a secret that ethnicity remains and will remain as the most important uniting cultural factor, more so than socio-economic factors, to a majority of Europeans.

Race-mixed families risk catastrophic consequences as the European civil war progresses towards phase 2 and 3

After WW2, women who had previously had a relationship and/or children with the German occupiers would often suffer from severe punishment. The resistance movements shaved the head of these women and the communities terrorised them for 10 to 20 years after the war. These women and their offspring suffered horribly for a long time as a result of their decision to mix with individuals from the occupying force. They were called traitor whores and treated with utter contempt. Many starved to death at the end of the war while others were even raped and lynched during and after the war.

What will happen to the "traitor whores" after the great European civil war?

The current status of Europe is quite similar to that of WW2. Instead of having to face an external enemy, the enemies are the Marxists, suicidal humanists and capitalist globalists of our societies. We are being colonized by Asia and Africa facilitated by the multiculturalist elites. In Europe, 85%+ of the colonizers are Muslims from various parts of the world. So who exactly are the "traitor whores" of this war, and what will happen to them after we seize political and military power within the next 20-70 years?

There are two answers to this question; what we would prefer under current moral conditions and what actually will happen. It is hard for conservative intellectuals to predict the brutality of the future as we currently live in seemingly peaceful nations with seemingly few plagues and horrors. However, when the true agenda of the multiculturalists is revealed to a greater number than the current 10-15% of people, many will be furious and demand vengeance. If the current cultural Marxist regimes refuse to capitulate and continue their atrocities the demand for blood vengeance will grow.

The manifestation of the reckoning will depend on many factors;

1. Will the cultural Marxists/multiculturalists capitulate in time?
2. How many more conservatives will be persecuted, ridiculed and pushed towards suicide before they capitulate?
3. How many more revolutionary conservatives will have to martyr themselves before they capitulate?
4. How will they treat us in prison, if we survive our operations, as prisoners of war?
5. What types of methods will they employ in order to persecute and destroy our cells, networks and militias?
6. How many million more Muslims and other non-European immigrants will they allow to enter our gates before they capitulate?
7. Which of the minority groups (and/or how many percent of the given group) will be considered loyal enough to be allowed to stay in Europe after the civil war?
8. The principles and strictness of the specific conservative group that seizes political and military control in the various Western European countries will depend on how early the cultural Marxists/multiculturalists capitulate and whether they give up before they inflict heavy military casualties on us.
9. It is likely that in countries where the democratic conservative parties have been allowed to take power peacefully, the reaction towards cultural Marxists/multiculturalists and

minority groups considered to be disloyal will be mild, while in other European countries, where conservatives have been harshly persecuted like in f example Germany, Sweden, Norway, France and the UK it will result in a bloodbath, where hundreds of thousands of cultural Marxists/multiculturalists and disloyal minority groups will be massacred. Muslims that haven't converted to Christendom will automatically be labeled disloyal and deported. The fate of other minorities such as Buddhists, Hindus, Christian non-Europeans and half casts and also females/males that have procreated with the "disloyal" is harder to predict but will be directly related to the above factors. It is really hard at this point to present a more accurate prediction than this. After all, there are so many different conservative denominations, some which are more ethnocentric and/or anti-Marxist than others.

The reasoning behind conservative's opposition to race-mixing and adoption of non-Europeans

The cultural Marxists/multiculturalist alliance will have you believe that all conservatives are ignorant, inbred bigots who are driven by hate towards any and all minorities. However, this propaganda is as far from the truth as possible.

The reasoning behind our concern and opposition is the fact that mass immigration, race-mixing and adoption of non-Europeans harm the unity of our tribe – it harms the degree of social cohesion any given country has. Firstly, a country that has competing cultures will shred itself to pieces from the inside over the long term or it will end up as a permanently dysfunctional country like Brazil and similar countries. Corruption and a high degree of crime is a natural result of lacking social cohesion. In countries where social cohesion is high, the opposite symptoms occurs. When you add Islam to the mix the worst case scenario is changed from a dysfunctional country to total defeat; sharia law and demographical conquest.

A stable and prosperous country that can offer its citizens solid welfare is dependent on five primary factors

1. Islam cannot be present
2. An ethnic homogenous people
3. An educated people with a high average IQ (reprogenetics will increase the average IQ further)
4. Cultural conservative policies/nationalistic policies/at least partially financial protectionist
5. Free market (+ free market towards other cultural conservative countries)

With the current development, we see a systematical breakdown of each point which will over time result in the transformation of a dysfunctional, failed state. That is, unless we can prevent it in time.

As such; conservatives' reservations and opposition against mass immigration, race-mixing and adoption of non-Europeans is purely pragmatical and not hateful in any way or form.

When we decide to deport a proportion of a disloyal minority group, it is not because we hate them, but because not doing so would have catastrophic consequences for the degree of social cohesion in our country. Allowing your tribe to demographically sink down towards extinction and allowing your country to become a failed state is a thousand times a graver crime than offending the feelings of the people you deport.

How many non-Europeans can a European country absorb per generation without it considerably affecting social cohesion and the overall well being of the tribe?

That depends which European tribe you are referring to. For example; not all Alpine or Mediterranean tribes care that much about their ethnic purity (against Alpine or Nordic genetical dilution) as they feel they don't have physical or mental characteristics worth protecting or that they look favourably on Nordic and Alpine genetical dilution. So naturally, a Nordic tribe would be much more motivated to protect its uniqueness because Nordic genetical characteristics are manifested physically in a much greater degree. No Nordic country should ever try to absorb more than 2% of non-European immigrants per generation providing that they can mend the non-Nordic dilution by compensating with reprogenetics clinics which can reverse national/tribal dilution. That way the Nordic genotype is preserved and we won't have to worry about the consequences or invest that many resources on reprogenetics. The wishes of any and all European tribes should be respected in this regard. For example Norway (4 million in 1950, 4,9 million in 2010) has accepted 900 000 immigrants since 1950, 90% which are non-Nordic. In 1950, we were more or less a pure Nordic country but we now have an additional 850 000 non-Nordics present with 30 000- 50 000 non-Nordics pouring in annually. 300 000-400 000 of the newly arrived are Muslims. At the same time, the biotechnology laws are strict, and we currently suffer under a genocidal cultural Marxist/multiculturalist regime under the NATO umbrella. It will take from 20-70 years for Norwegian cultural conservatives to seize political and military power and I doubt it will happen until after one of the large European countries are liberated; the UK, France and Germany. This is essentially why I'm writing this compendium in English and the reason why I have dedicated most of my time to assist my English brothers in their patriotic struggle. The key to Western Europe's survival lies in the hands of German but especially French or UK conservatives. After all, the smaller Western European countries are just mimicking these countries every move. My own country is thus now, nothing more than a banana republic, a satellite state lead by London, Paris and Berlin - which in turn is culturally dictated by Washington.

The great Satan, his cult and the Jews

Whenever someone asks if I am a national socialist I am deeply offended. If there is one historical figure and past Germanic leader I hate it is Adolf Hitler. If I could travel in a time-machine to Berlin in 1933, I would be the first person to go - with the purpose of killing him. Why? No person has ever committed a more horrible crime against his tribe than Hitler. Because of him, the Germanic tribes are dying and MAY be completely wiped out unless we manage to win within 20-70 years. Thanks to his insane campaign and the subsequent genocide of the 6 million Jews, multiculturalism, the anti-European hate ideology was created. Multiculturalism would have never been implemented in Europe if it hadn't been for NSDAPs reckless and unforgivable actions. Eastern Europe would have remained free, the US and Russia would never have risen up as super-powers. The balance of power would have remained in Europe. And it would be a beautiful Europe with beautiful cultural conservative policies - very similar to the ones you now find in Japan and South Korea. Hitler almost destroyed everything with his reckless and unforgivable actions and he will forever be known as a traitor to the Nordic-Germanic tribes.

So, I am really speechless when I see the cult calling themselves national socialists today. If you truly love our tribe, the Nordic tribes or any other European tribe, you must learn and acknowledge that Hitler is a traitor to the Germanic and all European tribes, NOT a hero. Hitler had the military capabilities necessary to liberate Jerusalem and the nearby provinces from Islamic occupation. He could have easily worked out an agreement with the UK and France to liberate the ancient Jewish Christian lands with the

purpose of giving the Jews back their ancestral lands. The UK and France would perhaps even contribute to such a campaign in an effort to support European reconciliation. The deportation of the Jews from Germany wouldn't be popular but eventually, the Jewish people would regard Hitler as a hero because he returned the Holy land to them.

But what did the great Satan do? He invaded Poland, France Russia and several other countries in his crazed effort for world domination. It was completely reckless and unforgivable as the consequences of such acts aren't very hard to predict. And when the tides turned for the Nazis and the Russian campaign failed, they decided to massacre the Jews and thus further condemning the Germanic tribes and the conservative/nationalist ideology to hell... They knew perfectly well what the consequences would be for their tribes if they lost, yet they went ahead and completed the job. After WW2, the greatest anti-nationalist and anti-European propaganda campaign the world has ever seen was launched. And people like myself, and other cultural conservative leaders of today, are still suffering under this propaganda campaign because of that one man.

Were the majority of the German and European Jews disloyal? Yes, at least the so called liberal Jews, similar to the liberal Jews today that opposes nationalism/Zionism and supports multiculturalism. Jews that support multiculturalism today are as much of a threat to Israel and Zionism (Israeli nationalism) as they are to us. So let us fight together with Israel, with our Zionist brothers against all anti-Zionists, against all cultural Marxists/multiculturalists. Conservative Jews were loyal to Europe and should have been rewarded. Instead, he just targeted them all... So, are the current Jews in Europe and US disloyal? The multiculturalist (nation-wrecking) Jews ARE while the conservative Jews ARE NOT. Aprox. 75% of European/US Jews support multiculturalism while aprox. 50% of Israeli Jews does the same. This shows very clearly that we must embrace the remaining loyal Jews as brothers rather than repeating the mistake of the NSDAP. Whenever I discuss the Middle East issue with a national socialist he presents the anti-Israeli and pro-Palestine argument. He always seem unaware of the fact that his propaganda is hurting Israeli nationalists (who want to deport the Muslims from Israel) and that he is in fact helping the Israeli cultural Marxists/multiculturalists with his argumentation. In all five discussions they have moderated or fully changed their views after the discussion as they realize what they have done. But I was unable to discuss this issue further after I was banned and kicked out by Stormfront and another national socialist forum.

In any case; educate yourself and learn the difference. Today's conservatives and want-to-be Nazis are ignorant when they obsess so much over the Jews. There is no Jewish problem in Western Europe (with the exception of the UK and France) as we only have 1 million in Western Europe, whereas 800 000 out of these 1 million live in France and the UK. The US on the other hand, with more than 6 million Jews (600% more than Europe) actually has a considerable Jewish problem. But please learn the difference between a nation-wrecking multiculturalist Jew and a conservative Jew. Don't make the same mistake that NSDAP did. Never target a Jew because he is a Jew, but rather because he is a category A or B traitor. And don't forget that the bulk of the category A and B traitors are Christian Europeans. 90% of the category A and B traitors in my own country, Norway, are Nordic, Christian category A and B traitors.

Unification of all European cultural conservatives under the KT banner

We will defeat the cultural Marxists/multiculturalists because they seek to wipe out everything European. We will not forgive them and we will show them no mercy whatsoever unless they fully capitulate to our forces within 2020. But we must fight them for the RIGHT reasons, and NOT because we want to pick up what Hitler tried to do. So for God's sake; please join the PCCTS, Knights Templar as a Justiciar Knight in our pre-emptive war against the EUSSR/US cultural tyranny under OUR banner, or any other, but

NOT under the swastika. 60% of NSDAPs policies were great classical conservative policies and the PCCTS, Knights Templar share these conservative policies even today. But the remaining 40% of the policies are not worth fighting for.

Have no doubt, every single political contribution counts whether it is through the barrel of a Ruger Mini-14 or through an essay! The former will amplify the latter and vice versa. Considering the fact that the multiculturalist press is boycotting all true conservatives; conservative intellectuals really have no other choice than to amplify their messages through violent means. The other point is that when a conservative revolutionary contributes to the field of "revolutionary science" he will have little credibility and will be viewed as nothing more than an "arm chair general" unless he leads and illustrates through practical implementation.

Know that our phase 1 "physical" conservative revolutionary contributions are not to defeat this monster but to create awareness with the intention of creating sympathizers and direct contributors. Our military contributions, in phase 1, will only make out a fraction of the combined "cuts" required to kill the 7-headed monster. The bulk of the cuts will be inflicted by the monster itself out of ignorance and its unwillingness to embrace logical and pragmatic principles and policies (primarily by its inability to prevent and reverse Islamisation). The current cultural Marxist/multiculturalist regimes will fall and collapse under their own and Islam's weight. Our primary objective is to consolidate and be ready to seize this opportunity, through violent means, when this window of opportunity opens up within 20-70 years. Remember, the success of our revolution will never seem further away than the day before we actually succeed!

To quote the Marxist terrorist and mass-murderer Fidel Castro;

"I began the revolution with 82 men. If I had to do it again, I would do it with 10 or 15 individuals with absolute faith. It does not matter how small you are if you have faith and a plan of action."

"New" emerging tribes, future political and cultural threat?

There is a Hispanic, criminal supremacist group in the US called; La Raza (the race). They oppose European (European American), African and Asian interests based on ethnicity. The name La Raza is used to describe the race formed by the fusion of Europeans, Native American and African peoples in Latin America. This illustrates that mixed people of set sources will eventually become ethnic aware and start to work against the minorities in that nation, which are those of pure European or Native American heritage. The point to this illustration is that there will always be minorities in a country, there will always be discrimination and minorities will more or less always be discriminated against. The ultimate goal of any tribe must therefore be to never come in a position where it is reduced to a minority. The large majority of ethnical groups of the world, except the Rom/Gypsies and some Latin American Indians, control their own sovereign territories. As such, there is no reason why anyone has to live as a minority if they do not desire to do so. Each tribe must do absolutely EVERYTHING to ensure that no other tribe attacks them demographically through immigration or higher birth rates.

In order to predict any future emerging of/or consolidation of "new tribes" in Europe, it is essential to review the new/old definitions and work to name the unnamed groups:

Mulatto:

1. A person having one European and one African parent. 2. A person of mixed European and African ancestry. - moo-lat'o, -lä'to, myoo-)n., pl. mu-lat·tos or mu-lat·toes.

ETYMOLOGY: Spanish from Arabic muwallad, person of mixed race, from walada, to engender, give birth.

Quadroon (25% African, 75% European)
Octoroon (12,5% African, 87,5% European)

ETYMOLOGY: Greek okta-, okto-, from okto, Latin octo-, from octo prefix of Eight+ -quad)roon

The terms mulatto, quadroon, and octoroon originated with the racial policies of European colonizers in the Americas, especially the Spanish. Because civil rights and responsibilities were based directly on the degree of European blood that a person had, such classifications were highly elaborated, and minor distinctions in ancestry were carefully recorded. While these terms have highly precise definitions, in actual practice they were often used based on impressions of skin color rather than definite knowledge of ancestry.

European-Semitic/Arab European/Jewish European

A person of mixed European and semitic blood.

In linguistics and ethnology, Semitic refers to a language and ethnic family comprising of the peoples living in primarily the Arabic areas of the Middle East and Northern Africa. Berbers, Arabs, Jews, Assyrians, Copts are all considered to comprise the semitic ethnic groups.

Creole:

1.) A person of mixed African and European ancestry who speaks a creolised language, especially one based on French or Spanish. 2.) An African slave born in the Americas as opposed to one brought from Africa.

Metisse:

1.) The offspring of a European and an American Indian. 2.) The offspring of an European and a quadroon; an octoroon.

Eurasian:

Has been in use since the mid-19th century to refer to a person of mixed European and Asian birth. It was coined during the British rule over India and was long used primarily in designating a person born to a British father and an Indian mother. In a contemporary context Eurasian has a much wider application, denoting only that one parent is Asian and the other European.

Hapa:

Native Hawaiians used this word to describe someone who was "half Hawaiian". In colonial times, it was often combined with the word "haole" which meant stranger, foreigner, or white person. As time passed, "hapa" was used on the Continental United States by Japanese Americans and other Asian to describe a person of partial Asian ancestry. Many Nisei - second generation Japanese Americans) considered the term to be derogatory. Today, "Hapa" is simply accepted as a way to describe a person of partial Asian ancestry.

Mestizo:

A person of mixed racial ancestry, especially of mixed European and Native American ancestry. n., pl. mes-ti-zos or mes-ti-zoes. ETYMOLOGY: Spanish, mixed, mestizo, from Old Spanish, mixed, from Late Latin mixticius, from Latin mixtus past participle of miscere, to mix.

Zambo:

The child of a Mulatto and a Black person; also, the child of an Indian and a Black Person.
Also Sambo.

Griffe:

A person of mixed negro and American Indian blood. The offspring of a mulatto woman and a negro; also, a mulatto.

Mestee/Mustee/Metisse:

1. The offspring of a European and an American Indian.

As far as I know, there are no words which define the mixing of the three European sub-races: Nordic/Germanic, Alpine and Mediterranean. Such definitions would probably be relevant in Europe but less relevant in the US. It is common to refer to inter-European mixing with emphasis of the country of origin. For example; French-Norwegian or German-Italian etc.

Modern terms, commonly used, submitted to MixedFolks.com

- AfroAsian - A person who is mixed with black/African and Asian.
- Afroindipean - Person of African, Indian & European descent.
- Afrorean - Someone who is black/African and Korean.
- Afropean - Someone who is black/African and European
- AmerAsian - A person of mixed American and Asian descent.
- Biethnic
- Blasian - Black and Asian.
- Blatino - Black and Latino.
- Cablinasian - Tiger Woods' term for what he is Caucasian, Black, Indian [Native American], Asian.
- Casian - Someone who is White [Caucasian] and Asian.
- Caucindiblack - pronounced Cauc-indi-black.. Caucasian, Indian - American Indian. and Black.
- Caucindicreole - (pronounced Cauc-ind-icreole) Caucasian, Indian - American Indian. and Creole - Black French.
- Caurean - Someone who is White and Korean.
- Chigro -someone who is half Black and half Chinese.
- EurAsian - A person of mixed European and Asian origin.
- Halffrican - Half African
- Mambo - Person who is the offspring of a Sambo and black, and is therefore 1/8 white and 3/4 black.
- Mexigro - Mexican and Black.
- Mexipino - Mexican andFilipino.
- Mixed - Can be applied to any mix
- Moreno - A Quadroon or light Mulatto.
- Mulattanese - Part Black, Part White, Part Asian.
- Mustifee - Someone who is the offspring of an Octroon and white person.
- Pardo - A person of multiracial or tri-racial origins.
- Wasian: someone who is white and asian
- Wigger - Offensive term meaning White Nigger, mostly used to describe White people who "act Black".
- Zebra - half black, half white

PCCTS, Knights Templar message to all minority groups and mixed individuals

Know that we, the PCCTS, Knights Templar, are not a racist organisation. Individuals of all races, providing that they are Christian, can join and fight for the Knights Templar as Justiciar Knights. Your contribution for the conservative cause will guarantee you and the loyal members of your family permanent residency in Europe. You will be embraced as a fellow citizen if you shed blood with us, have no doubt about that. The future of all minorities in Europe will depend on where their loyalty is and will NOT be based on their skin color or ethnic origin. Needless to say; individuals that have proven to be disloyal (by directly or indirectly supporting cultural Marxism/multiculturalism) will have no future in Europe and will be deported.

So called neutrality until the day of the takeover/coup d'état will not be an option if you want a future in Europe. You must be able to prove your loyalty by establishing a verifiable track record (support or membership to a conservative non-violent or revolutionary organisation) in order to prove your loyalty. Conversion to Christianity, changing of name (where applicable) or change of customs at an early stage will also support your candidature for permanent residency. It is only a slight possibility that it will be the Knights Templar that will be the dominating conservative force in your country when this may apply. Obviously, the rules and requirements for permanent residency will be set by the new regime and not by us. As such, consider these guidelines as an expected equivalent to what you can expect.

It is likely that when enough new conservative European regimes have consolidated, they will create a new zone or use an existing one between the European and the Islamic world which will be the destination point for disloyal individuals of mixed origin and other individuals which for various reasons do not have access to a specific non-European country. Loyal individuals of mixed origin, on the other hand, will and should be embraced as brothers.

All members of minority groups will over the next few years have to make a choice. I just hope they make the right one. Their future in Europe will rely on it.

3.85 The political significance of sex in a cultural conservative future

Sex is probably the most powerful and under analyzed motivator for man on earth. Had it not been for the some abstract illusions of sex, Leiv Eiriksson or Christopher Columbus would probably not have discovered America, Muhammad's armies would not have conquered much of the world (ref: 72 virgins is a good incentive for martyrdom, wouldn't you say?), and the cultural Marxists would not have successfully managed to take control of our societies. During the sexual revolution in the 70s, the Marxists managed to infiltrate and claim this liberal concept, enabling them to exploit the sexual revolution for their own benefit.

So how do we preach chastity to a mob who wants unlimited access to free sex? The answer is that we don't. Instead, we must copy the Marxist strategies by integrating or at least offer any and all liberals the freedom of unlimited sex in a future scenario. We must present concepts that are credible and ensures all aspects of individualism for those who seek it (with the exception of hate-ideologies like multiculturalism, Islam etc). This does not mean that our future societies will end up as anarchies which is what pure liberalism is. The only difference is that we are at the same time presenting concepts of chastity and chivalry at the same time. So how is this possible, how can we ensure that both conservatives and liberals are happy? The solution is liberal zones segregated from the rest of the society, a more thorough implementation of the US "liberal zone" model. Consider it as a doctrine of "Las Vegasism". The concept of "Sex and the city lifestyles" will not be glorified as it is today but restricted to our future Las Vegas zones giving everyone who truly desires this form of lifestyle the opportunity to pursue his or her definition of happiness while at the same time protecting the rest of society from social and moral break down. We must never make the mistake of confusing liberal concepts with Marxist concepts. Individualism and the sexual revolution is not a Marxist concept but rather a liberal one. Yes, the cultural Marxists managed to infiltrate various organisations and took credit for the sexual revolution although that is another discussion. Isolated, "sex and the city lifestyle" is relatively harmless, but if you glorify it and ram it down the throat of mainstream society like we see today it becomes a lethal and destructive societal force as we are witnessing which eventually leads to a complete breakdown of moral/ethics, the nuclear family model and a sustainable fertility rate which again is leading us to the extinction of Europeans.

These liberal zones must be completely "ideologically" cut off from the rest of society to avoid cultural contamination. By focusing on this middle way we are respecting the wishes of the conservatives and the liberals. This should be a compromise we can live with.

If we however fail to compromise and instead contribute to ram a puritan and deeply conservative way of life down the throat of everyone we will only defeat ourselves. Unwillingness to reason with the individualists/liberalists will only be counter-productive and will prevent us from ever seizing political power.

Using the sexual revolution to our advantage will contribute to our success.

3.86 Sexual ethics/sexual morality in Western Europe has been destroyed by cultural Marxism and liberalism

Sexual ethics (also referred to as sexual morality) refers to those aspects of ethics that deal with issues arising from all aspects of sexuality and human sexual behaviour. Broadly speaking, sexual ethics relates to community and personal standards relating to the conduct of interpersonal relationships, and deals with issues of consent, sexual relations before marriage and/or while married, including issues of marital fidelity and premarital and non-marital sex, issues related to sexuality, questions about how gender and power are expressed through sexual behaviour, questions about how individuals relate to society, and questions about how individual behaviour impacts public health concerns.

Ethical dilemmas which involve sex can often appear in situations where there is a significant power difference or where there is a pre-existing professional relationship between the participants, or where consent is partial or uncertain.

Breakdown in sexual ethics – overview based on country

The following numbers are based on the current numbers and projections of women/girls aged 15-30 (the generation born between 1980-1995).

The degree of breakdown in sexual ethics or sexual morality is manifested through the young women's susceptibility to have one night stands, pre-marital sex and the average amount of sexual partners for women during a lifetime. New generation girls (born between 80-95) have a substantially less conservative view than older generation girls.

Country	Sexual ethics from 1 (extremely low) to 100 (high)	Average number of sexual partners during a lifetime
Malta	85	3
Portugal	75	4
Spain	65	5
Italy	65	5
Greece	55	6
France	45	7
Switzerland	35	8
Canada	35	8
US*	25	9
Austria	25	9
Germany	15	10
Netherlands	15	10
Belgium	15	10
UK	5	12-15
Finland	5	12-15
Sweden	5	12-15
Denmark	5	12-15
Norway	5	12-15

* The breakdown in US sexual ethics varies considerably between liberal states such as California, New York and Florida in one end and conservative states such as Utah etc.) Average based on US as a whole.

These findings are based on the experiences of my network of male friends (my own included). We have visited all these countries and our combined experiences and findings thoroughly document a relatively precise picture of the current sexual moral in the various European countries. We are not completely certain of Canada, Austria, the Netherlands and Belgium but my impression correlates with the estimates for these countries. It is notable that Protestant countries are at the bottom of the chart while primarily Catholic countries are at the top of the chart.

To further illustrate the breakdown of sexual moral in Western Europe

An alarming number of young girls in Oslo, Norway start giving oral sex from the age of 11 to 12. This might happen at an even younger age if sexual education is liberalised further. This development must be reversed to avoid complete collapse in our traditional social structures.

Approximately 50% of my female friends end up under the definition/category; promiscuous (female sluts) as they have engaged in sexual activity with more than 20 partners.

A majority of them have been infected with one or more sexually transmitted diseases – so called STDs such as herpes, chlamydia etc. A promiscuous lifestyle is glorified by the media through series such as Sex and the City and artists such as Madonna, Lady Gaga, Christina Aguilera and a multitude of other much nastier artists. The boundaries are gradually deteriorating as this development is allowed to continue.

We cannot judge individuals too hard who follow media guidelines but we can and should do everything to restrict the massive influence that the media has.

I am not going to act like a hypocrite and pretend I have not been influenced by the typical "Sex and the City" lifestyle. I have been under the influence of this lifestyle as a majority of my friends and even my own family members. I used to be proud of my "achievements". However, due to a change of mentality, all I feel is shame whenever I think about where this is going. I feel shame on behalf of my city, my country and my civilisation. I loathe the post war conservatives for not being able to halt the Marxist Cultural Revolution manifested through the 68 generation. And I am now committed to contribute to end this diseased culture, lead by the cultural relativists/cultural Marxist regime.

STDs ruin people's lives

Under normal circumstances I would never reveal intimate details about my friends and my family's personal lives due to societal taboos and shame, confidentiality issues and loyalty. However, how are we supposed to have a chance at changing our societies when we refuse to reveal the negative impacts surrounding the disintegrating moral? I will make an exception here and share knowledge about a fraction of my closest network. I have limited information and it is likely that a larger portion of my network have suffered significant negative issues as a result of "destructive conduct".

Although I have had a change of mentality a majority of my friends have not. My stepfather Tore, one of my best friends Marius and my more distant friends Kristoffer,

Sturla and Ronny are all living manifestations of the complete breakdown of sexual moral. All five have had more than 300 sexual partners (two of them more than 700) and I know for a fact that three of them have one or more STDs (probably all of them). I have several other promiscuous (slut) friends and I could list at least 30 male and females in my social environment if I wanted to. I don't blame them personally and it has absolutely nothing to do with envy. I could easily have chosen the same path if I wanted to, due to my looks, status, resourcefulness and charm. It's just terribly sad that my country have been the victim of severe Marxist infiltration leading to the political doctrines which have been allowed to destroy all moral and norms, resulting in the complete breakdown of our once great ethical standards.

My half sister, Elisabeth was infected by chlamydia after having more than 40 sexual partners (more than 15 Chippendales' strippers who are known to be bearers of various diseases). Her chlamydia went untreated and she became one of several million US/European women who were suffering from PID, Pelvic inflammatory disease caused by untreated gonorrhoea and chlamydia which leads to infertility. As she lives in the US, costs relating to this were not covered by the state. She and her husband spent 40 000-50 000 USD on two IVF treatments (in vitro fertilisation) a process by which egg cells are fertilised by sperm outside the womb. She was lucky compared to many as these treatments may cost upwards of 100 000 USD. Furthermore, as far as I know, due to her condition as a result of the untreated disease, she needed a caesarean section for both childbirths. The last c-section almost killed her due to complications and she needed blood transfusion of more than 5 litres of blood in total. It is unknown if her two children suffered from pneumonia and conjunctivitis and other problems in infants born with chlamydia transmitted from my sister during childbirth.

My mother was infected by genital herpes by her boyfriend (my stepfather), Tore, when she was 48. Tore, who was a captain in the Norwegian Army, had more than 500 sexual partners and my mother knew this but suffered from lack of good judgement and moral due to several factors (media – glorification of certain stereotypes being one). Unfortunately for her, her poor judgment resulted in her being afflicted by genital herpes. In addition to this, the herpes infection went to her brain and caused meningitis (this condition is usually rare and occurs in less than 1% of herpes infected individuals). As a result of this brain infection, which prevented the spinal fluid from flowing freely, she had to operate a shunt into her brain as the herpes attacks occurred regularly. She was forced into early retirement as a result and her life quality has been significantly reduced since, and she now has the intellectual capacity of a 10 year old. Her STD has not only cause her much hardships, but it has also cost her and the state up to 1 million Euro.

Both my sister and my mother have not only shamed me but they have shamed themselves and our family. A family that was broken in the first place due to secondary effects of the feministic/sexual revolution. I can only imagine how many people are suffering from STDs as a result of the current lack of sexual moral.

This mentality is clearly not sustainable and if we are to have any desire to salvage our civilisation we must ensure that we implement political doctrines to prevent AND reverse the current development.

Solutions

The European civilisation will not survive if we continue to allow the breakdown of sexual moral as this will cause all social structures to completely deteriorate.

Furthermore, we should not judge females harder than males as the same sexual moral should apply for them as well. So instead of justifying and propagating "traditional male

moral" to both genders, we should instead implement new sexual ethics for all (primarily through the strict regulation of media after we seize political and military power within 20-70 years).

Artists such as Madonna, Lady Gaga and Christina Aguilera and series such as Sex and the City must be considered political activists/political movements and the lifestyles they propagate considered political propaganda. Alternatively, artists/series/movies propagating/glorifying promiscuity must be restricted to liberal zones.

3.87 Sexually transmitted disease (STD) epidemic in Western Europe as a result of cultural Marxism costing as much as 350 billion Euro annually

The magnitude of the STD epidemics is a direct cause of the breakdown in sexual ethics in Western Europe and is also related to liberal third world immigration. Several Western European countries (Norway included) refuse to test African immigrants of HIV (due to humanistic principles) even though up to 30% of the citizens of some African countries are infected.

There are several categories of diseases which is defined as an STD. Bacterial, fungal, viral, parasites, protozoal are included among the STDs. Oral Herpes (HSV-1) is not included. Genital (HSV-2) Herpes is. HIV/AIDS is obviously the most serious of the viral STDs.

European STD (sexually transmitted disease) overview based on country illustrating the percentage of infected Europeans.

Country	1950	2010	2050
Norway	15	35	70
Denmark	15	35	70
Sweden	15	35	70
Finland	15	35	70
UK	15	35	70
Belgium	14	28	56
Netherlands	14	28	56
Germany	14	28	56
Austria	12	25	50
US*	12	25	50
Canada	10	20	40
Switzerland	10	20	40
France	8	18	36
Greece	6	15	30
Italy	4	14	28
Spain	4	14	28
Portugal	4	14	28
Malta	3	10	20

Negative impacts as a result of the Western European STD epidemics

Devastating social impact

Some people experience negative feelings related to the condition following diagnosis, particularly if they have acquired the genital form of the disease. Feelings can include depression, fear of rejection, feelings of isolation, fear of being found out and self-destructive feelings leading to suicide in extreme cases.

People with the herpes virus are often hesitant to divulge to other people, including friends and family, that they are infected. This is especially true of new or potential sexual partners whom they consider casual. A perceived reaction is sometimes taken into account before making a decision about whether to inform new partners and at what point in the relationship. Many people do not immediately make their condition known to new partners, but wait until a later point in the relationship when the partner is already infected.

How many individuals who commit suicide as a result of infection is unknown but the number might be higher than we imagine. For women, STDs can also result in an unwillingness to bear children or even making the woman incapable of becoming pregnant.

Devastating economical impact

Few comprehensive data exist on the costs associated with sexually transmitted infections. From the information that is available, however, it is clear that the economic burden imposed by these infections is extremely high, and that an increasing proportion of the costs is being borne by public sources of payment. Costs related to STDs will have a devastating impact on Western European countries in the future unless we, the cultural conservatives, manage to seize political and military control and drastically reverse the ongoing cultural suicide of Europe.

HIV/AIDS, 120-300 billion Euro annually (Western Europe)

The direct and indirect costs associated with HIV and AIDS were approximately 120 billion Euro in 2009. HIV and AIDS are much more costly than other STDs, even though there are fewer cases, because of their long-term and devastating consequences.

Large costs related to subsidising the research of treatments HIV/AIDS is not included but might total as much as 100-200 billion Euro annually.

PID, 10-20 billion Euro annually (Western Europe)

On second place comes the cost related to PID, Pelvic inflammatory disease caused by untreated gonorrhoea and chlamydia. PID affects millions of women each year in Western Europe and is an infection of one or more pelvic organs, including the uterus, cervix, and fallopian tubes. In 2009, the direct and indirect costs of treatment of PID and PID-related ectopic pregnancy and infertility in women aged 15-44 totaled an estimated 10 billion Euro. This includes direct medical expenses, hospital charges, physician fees, inpatient, care for PID-related ectopic pregnancy and infertility.

Included are indirect costs, which represent the lost productivity of women who are incapacitated by or die prematurely from PID, lost wages, lost value of household management not performed because of illness and indirect costs associated with early deaths related to PID.

Chlamydia, 5-10 billion Euro annually (Western Europe)

Aproximately 8-15 million cases of chlamydia occurs annually in all Western European countries (2009 estimate).

The direct and indirect costs of diagnosing and treating uncomplicated chlamydia and gonorrhoea are high and totaled an estimated 5-10 billion Euro in 2009. Included are costs related to direct and indirect costs associated with diagnosis and treatment of pneumonia, conjunctivitis and other problems in infants born with chlamydia transmitted from their mothers during childbirth. Included are also direct and indirect costs of chlamydial infections for both men and women – urethritis and epididymitis.

Gonorrhoea and herpes, 2-5 billion Euro annually (Western Europe)

Gonorrhoea and herpes also exact a large financial toll, although existing cost data on these diseases are less comprehensive than those on chlamydia. The total cost include the medical care costs of diagnosing and treating uncomplicated gonorrhoea, indirect costs, diagnosis and treatment of genital herpes, treatment of neonatal herpes and screening pregnant women for genital herpes.

Real costs are probably significantly higher

The total costs for the direct and indirect costs for mentioned STDs are approximately 140-335 billion Euro annually.

These figures does not reflect the full costs of sexually transmitted infections, since it does not include the indirect costs of herpes; the costs associated with gonorrheal infections in newborns; or any costs related to syphilis, HPV and other STDs. The cost of medical treatment for infertility (as a result of untreated chlamydia) is probably underestimated. Suicides, costs and loss of time relating to psychological impacts related to infection of the various STDs are not included. If they were, the costs would probably be doubled.

The numbers are estimates based on US annual numbers from 1990. The costs may be significantly higher due to the fact that the Western European countries subsidise significantly more treatment methods than the US government.

Sources:

STD facts - PID. CDC.gov. <http://www.cdc.gov/std/PID/STDFact-PID.htm>. Accessed 08/24/09.

<http://womenshealth.about.com/cs/pi1/a/pelvicinfdisea.htm>

American Social Health Association. Sexually Transmitted Diseases in America: How Many Cases and at What Cost? Menlo Park, CA: Kaiser Family Foundation, 1998.

Institute of Medicine. Committee on Prevention and Control of Sexually Transmitted Diseases. The Hidden Epidemic: Confronting Sexually Transmitted Diseases. Eng TR and Butler WT, eds. Washington, DC: National Academy Press, 1997.

3.88 Various topics relating to social structures

A new mentality, anti-promiscuousity (ROUGH DRAFT)

An anti-promiscuousity mentality should be included in a future secular social reform agenda and should be spearheaded through the restriction of media rights (restriction in the availability of pro- promiscuous material) and the reform of school curriculums.

The idea and illusion of romantic love should be challenged and deconstructed. Excessive sexuality is a kind of addiction resulting in both physical and social effects, and contributes to disrupt relationships and causes people to lie and cheat to achieve the pleasure of sexual gratification.

Excessive promiscuousity (sexuality) is the cause of many of the problems in our society. We shouldn't necessarily adopt an anti-sexual stance but at least an anti- promiscuous stance. Promiscuousity should be demonised by the media, but instead they encourage promiscuous lifestyles.

The following are a few arguments against excessive sexuality:

- Sexuality can complicate relationships (as when people are hostile towards each other because they are sexually attracted to the same person).
- Sex may hinder one's spiritual development (non-secular argument).
- Sexual desire can cause people to place primitive instinct ahead of intellect (people across the world continue to have unsafe casual sex despite their awareness of the dangers of STDs, for example).
- Sexuality asserts itself in the human mind by releasing neurochemicals comparable to addictive drugs into the brain.
- Sexual desire can cause people to lie and cheat in the pursuit of sexual relationships.
- Sexual desires could be false assumptions that are foisted on you by society, hence you may need to look at how your sexuality is ideologically and institutionally constructed.
- Some opponents of lookism, a recently documented form of discrimination, along with some proponents of fat acceptance, argue that sexuality, which is usually based on notion of physical attractiveness, encourages and justifies obliviousness to the unfairness of discrimination against people who are deemed unattractive by others.
- There is not necessarily a difference between consent and coercion, sex can therefore be a means of oppression.

The myth about marriages based on love must be deconstructed

The illusion about love in a relationship between a man and a woman is the sum of irrational feelings based on desire. When love fades, and it always does, there is little to hold the relationship together. The mass media has been allowed to condition people to believe in a myth that does not exist. A marriage must be forged as an institution for the raising of children. Marriage must be based on a specific agreement between a man and a woman who creates an advanced pact which must have a minimum validity of at least 20 years. This pact must be forged upon the mutual interest to achieve a goal based on cooperation, on friendship, proper communication and on mutual respect - not on love. The irrational emotions known as desire are often mistaken as love. Irrational desire must never be the fundament of marriage, however love may eventually come, and it is something that is built over time.

The problem in our society is that the people are deliberately misguided by the media, who for various reasons have built a myth and several misconceptions about love. A large proportion of people who get married are set to fail due to these misconceptions.

And it is not necessarily their fault as they have been misguided by the media and society in general who are building and continue to maintain false illusions.

The media should not be allowed to continue to misguide people by propagating lies as it ruins a massive amount of relationships and marriages. The truth about love must become the new concept and norm:

Love is not about finding the right person, but creating a right relationship. It's not about how much love you have in the beginning but how much love you build till the end! As for marriages, a man has to realise that marriage is not an institution for unlimited sex, but an institution for raising children. This must be taught to people from childhood so they make fewer mistakes later. Too many people spend their whole life and all their resources to look for a white rabbit that does not exist. Telling people the truth is the only right thing to do as it will not only benefit the individual, but society as well.

Lookism (ROUGH DRAFT)

Lookism is discrimination against or prejudice towards others based on their appearance. The term is not in widespread use, though it appears in major English language dictionaries.

Lookism has received scholarly attention both from a cultural studies and an economics perspective. In the former context, lookism relates to preconceived notions of beauty and cultural stereotyping based on appearance as well as gender roles and expectations. Important economic considerations include the question of income gaps based on looks, as well as increased or decreased productivity from workers considered beautiful or ugly by their co-workers.

Erotic capital (ROUGH DRAFT)

Erotic capital is power possessed by an individual as a result of his or her sexual attractiveness to others. It is one among other species of capital, including social capital, symbolic capital, and cultural capital.

erotic capital as accruing to an individual due to the quality and quantity of attributes that he or she possesses which elicit an erotic response in another. Some of these attributes may be immutable, such as an individual's race or height, while others may be acquired through fitness training, plastic surgery, or a makeover, among other techniques.

Erotic capital is interconvertible with other forms of capital, as when actors parlay erotic capital into financial capital or social capital.

Females have a significantly higher proportion of erotic capital than males due to biological differences (men have significantly more prevalent sexual urges than females and are thus easily manipulated). The female manipulation of males has been institutionalised during the last decades and is a partial cause of the feminisation of men in Europe. This highly underestimated factor has contributed to the creation and rise of the matriarchal systems which are now dominating Western European countries. European women, in light of the feminist revolution, are now considerably more influential than men due to the sum of all forms of capital.

3.89 Anti-feminist policies - Reviving the patriarchal model by deconstructing the Western European matriarchal systems

I'll be the first to admit that there are many sensible feminist policies. The goal should obviously not be to reverse ALL feminist policies just for the sake of it. Ignore these sensible feminist policies, and instead focus on the destructive policies.

Fact: 60-70% of all cultural Marxists/multiculturalists are women. This partly explains why the gradual feminist revolution is directly linked to the implementation of multiculturalist doctrines. These feminist cultural Marxists do not only want more benefits and rights for themselves. They want it all, and have more or less been awarded with everything they could ever dream of achieving. They now have complete matriarchal supremacy domestically and exercise substantial influence in politics. The current matriarchy in Western European countries is partly the cause of the symptoms that have become increasingly prevalent. To counter the symptoms it is required to fix the underlying flaws of our systems. One of the primary flaws is the matriarchal supremacy we see in several arenas.

The primary trait and value that a majority of women propagate is "compassion". While compassion is not always a negative thing it can severely cripple fields/committees who rely on a minimum degree of cynicism such as the following fields:

- Discipline at school (penal policies)
- Discipline in the community (penal policies for criminals, rehab policies for drug addicts)
- Immigration policies
- Defence policies
- Business policies (international trade)
- Church
- Education sector (feminisation of boys)
- Domestic policies (the father must always be the head of the family and the laws of the country must reflect this especially relating to custody rights, in relation to divorce etc.

Marriage – why "no-fault" divorce is one of our most dangerous social experiments

No-fault divorce laws were introduced in Western Europe and other industrialised countries during the 1970s and are being expanded into other regions of the world today.

The spouse who divorces or otherwise abrogates the marriage contract incurs no liability for the costs or consequences, creating a unique and unprecedented legal anomaly. In all other areas of contract law those who break a contract are expected to compensate their partner, but under a system of 'no fault' divorce, this essential element of contract law is abrogated."

In fact, the legal implications go farther, since the courts actively assist the violator. The law generally supports the spouse seeking the divorce, even if that spouse was the wrongdoer." "No-fault" did not really remove fault, therefore; it simply allowed judges to redefine it however they pleased. It introduced the novel concept that one could be deemed guilty of violating an agreement that one had, in fact, not violated. According to therapeutic precepts, the fault for marital breakup must be shared, even when one spouse unilaterally seeks a divorce. Many husbands and wives who did not seek or want divorce were stunned to learn that they were equally 'at fault' in the dissolution of their marriages.

While lamenting the high divorce rate is conventional piety among family advocates, most have refused to challenge the divorce laws. The standard rationalisation is that to control divorce we must first change the culture. But no one suggests that changing the culture is a prerequisite for preventing, say, abortion. While cultural forces certainly contribute, the divorce epidemic has proceeded directly from a legal system which permits and even encourages it.

Furthermore, it is only because traditional understandings of marriage have already been severely undermined that homosexuals are now laying claim to it. Gays do not want marriage in the traditional mold (1950 version marriage), only the watered-down version that exists today.

Custody rights

To truly reverse the decline of the family, the momentum must be carried forward to confront the current destructive matriarchal policies that have institutionalised "broken family" policies. Our current system produces broken families and prevents traditional norms based on discipline. The most direct threat to the family is "divorce on demand". Sooner or later, if Western Europe is to endure, it must be brought under control. The father/patriarch must be given considerably more influence as this is the only way to ensure the survival of the nuclear family as it will enhance family integrity. The matriarchal supremacy within the modern households must cease to exist.

As of now, the mother will always be awarded child custody rights unless she is mentally ill or a drug/alcohol addict. The system must be reformed so that the father will be awarded custody rights by default. This will ensure that that divorce rate will be significantly reduced (by up to 50-70%) and will contribute to uphold the nuclear family.

More on the topic:

http://fathersforlife.org/articles/Baskerville/no-blame_game.htm

Abortion

Abortion should only be allowed in case of rape, if the mother's life is in danger, or if the baby has mental or physical disabilities. The liberal zones may be exempt by this rule.

On demand contraceptive pills

Contraceptive pills and equivalent methods will be severely restricted in conservative territories. The liberal zones may be exempt by this rule.

Sexual education

Sexual education in schools should be limited to that of 1950/60 Western Europe. The liberal zones may be exempt by this rule.

Gender based affirmative action in the public and private sector must seize

Qualifications must be the only requirement and nothing else.

In extreme Marxist dictatorships such as Norway, they have implemented affirmative action policies which require all publicly listed corporations to have at least a 40% share of females in their company boards. Companies that do not comply get fined.

3.90 Preventing the European population decline – securing sustainability – future national reproduction policies

“I am opposing to the nation that two children are enough and I have a scientific explanation for that. Today we see that the average number of children per family is below two, and this is a wrong policy that Westerners have adopted. They are paying a heavy price now to preserve their culture and identity. So why must we follow in their path?”

Mahmoud Ahmadinejad, President of Iran, April 18th, 2010

Western European cultural Marxist/multiculturalist elites are arguing that we need immigration to compensate for our population decline and the dangerously low birth rates of European women. However, they fail to admit and acknowledge that they themselves, and their policies, are the reason for the decline. Secondly, they are reluctant to implement effective measures in order to increase the low fertility rates.

A future cultural conservative regime would be able to ensure sustainable fertility rates without the need for mass immigration from Muslim countries. This can partly be achieved by using Australian or Japanese models. More components to these models can be added if the result isn't satisfactory. European-Australian fertility rates are increasing and are already among the highest in developed societies. The women in Australia are among the best educated with the highest standards of living.

The goal for Europe should be to reach and stabilise on an average fertility rate of 2,1 but we may have to compensate for historical losses by aiming for 2,5 initially and for periods if necessary.

Implementing sustainable reproduction policies will not be possible until we seize political and military power in phase 2 (2030-2070) or phase 3 (2070-2090).

Future national reproduction policies will rely on how we choose to reform women's rights, media-government-social directives/the Church/drug-alcohol policies/sexual-family ethics and moral. In order for women to be truly liberated, according to hardcore feminists, she must be free from the pressure of carrying offspring. But that is not really possible or at least acceptable as humanity would be extinct within a generation.

Ensuring sustainable fertility rates does however not necessarily mean that we have to strip away women their rights as there are alternatives.

We need to increase our fertility rate from the European average (non-Muslim) of 1,5 to 2,1-2,3 (2,1 being a minimum).

This will to a certain degree involve encouraging many 3 child families.

Solutions

Positive incentives: Giving women more incentives to have children in the form of various welfare incentives, tax deductions, various incentives aimed at the nuclear family and similar incentives as has been introduced in Australia and Japan. However, this alone will not increase the fertility rate more than 0,2-0,3 points.

Here are two suggestions that will ensure a sustainable fertility rate:

Suggestion 1: Conservative model - Back to the 50s – because we know it works

This alternative will involve increasing our national fertility rates from current 1,5 to 2,1 or even higher. Achieving this will involve several political reforms and will involve a degradation of women's rights to a certain degree:

1. Limit the distribution of birth-control pills (contraceptive pills): Discourage the use of and prevent liberal distribution of contraceptive pills or equivalent prevention methods. The goal should be to make it considerably more difficult to obtain. This alone should increase the fertility rate by 0,1 points but would degrade women's rights.

2. Reform sex education: Reform the current sex education in our school institutions. This may involve limiting it or at least delaying sex education to a later age and discourage casual sex. Sex should only be encouraged within the boundaries of marriage. This alone should increase the fertility rate by 0,1 points.

3. Making abortion illegal: A re-introduction of the ban on abortion should result in an increased fertility rate of approximately 0,1-0,2 points but would strip women of basic rights.

4. Women and education: Discourage women in general to strive for full time careers. This will involve certain sexist and discriminating policies but should increase the fertility rate by up to 0,1-0,2 points.

Women should not be encouraged by society/media to take anything above a bachelor's degree but should not be prevented from taking a master or PhD. Males on the other hand should obviously continue to be encouraged to take higher education – bachelor, master and PhD.

A family/wife caring for 3 children will not normally have the capacity to pursue the same career opportunities as their husbands, nor should they be expected to. Instead, women should be encouraged to have part time jobs (or 2/3) although of course not prevented from following the same career paths as males if they chose to.

4. Conservative media policies: Discourage women in general to strive for "sex and the city/Madonna" lifestyles. The mass media are currently actively glorifying/encouraging "sex and the city/Madonna" lifestyles which involves the glorification of casual sex, multiple sex partners and generally an extremely liberal individualistic lifestyle hostile to the traditional nuclear family values. As such, the non-restrictions of the mass media is the main cause for our unsustainable fertility rate of 1,5.

The indirect media/government glorification campaigns through individual artists, various series, movies and media coverage in general should reflect this new shift (no more

glorification of "sex and the city lifestyles" or equivalent portrayals. No longer should women be pressured to have equal success regarding their career as males.

Women's "new role" should be actively illustrated and glorified through series, movies and commercials. This will involve significant restrictions in media freedoms and rights. These restrictions and reforms will result in an increased fertility rate of approximately 0,2-0,3 points.

The end result for implementing the above reforms would be an increase in the fertility rate up from 1,5 to approximately 2,1-2,4 which would be sustainable.

However, this will also involve significant restrictions in women's rights and media rights.

Suggestion 2: Feminist/liberalist model - Creating surrogacy facilities in low cost countries and state funded boarding homes domestically

The following suggestion can only be applied in a highly pragmatical and rational society that isn't bound by the paralyzing grasp of today's cultural Marxist non-ethics.

An alternative which would prevent the need to restrict women's rights and media rights would be to allow the state to play an essential role in national reproduction. This would mean allowing European Federation women to continue their current path toward liberating themselves from the pressure of carrying offspring.

This would involve the creation of a network of surrogacy facilities in low cost countries and basically "outsource breeding". A gestational surrogate carrier refers to a woman who carries a pregnancy created by the egg and sperm of two other individuals by using IVF[1].

IVF or in vitro fertilisation is a process by which egg cells are fertilised by sperm outside the womb, in vitro. IVF is traditionally a major treatment in infertility when other methods of assisted reproductive technology have failed. The process involves hormonally controlling the ovulatory process, removing ova (eggs) from the woman's ovaries and letting sperm fertilise them in a fluid medium. The fertilised egg (zygote) is then transferred to the patient's uterus with the intent to establish a successful pregnancy. The first "test tube baby", Louise Brown, was born in 1978. IVF can also be used when parents want to have multiple births. The first pregnancy achieved with the use of donor eggs was reported in 1984. By using in vitro fertilisation (IVF) techniques, eggs are obtained from the ovaries of the donor, fertilised by sperm from the other donor, and the resulting embryo's are placed into the surrogate's uterus. If pregnancy is achieved, the resulting child will be genetically related to the two donors but not to the surrogate.

Who will care for these children? Career obsessed women who does not prioritise reproduction is not likely to have the will to care for these surrogacy babies either so there would not be enough foster parents.

The state role as "foster parents"

The only alternative would be that the state, or state funded institutions take on the role for fostering these children. This is how the arrangements could work:

A large facility or a so called "boarding home" is created which is divided into 5 separate areas:

- Kindergarden boarding home (age 0-6)
- Primary school boarding home (age 6-12)
- Secondary school boarding home (age 12-16)
- High school boarding home (age 16-19)
- College/university boarding home (age 19-25)

Describing the complete process - example:

6 babies, 3 boys – 3 girls, are delivered to the boarding home during the first 6 months of the year, 6 more babies, 3 boys – 3 girls, are delivered during the next 6 months.

The first 6 are assigned a specific surname, for example Andersson and two full time “parents/guardians”, one male and one female. From now on, these 6 babies are considered brothers and sisters. Together with their two “parents/guardians” they are considered a unique family, and will not be separated for the rest of their lives. These two full time employees (one male, one female) who will act as their parents/guardians will follow them throughout their lives.

This setup will facilitate and encourage close bonding as they will do as many activities as possible together to ensure a stable and warm relationship allowing the development of trust, friendship and “family ties”.

Year 0-6 – kindergarden: 08.00-16.00

Kindergarden facility: The Kindergarden facility will be separated from the kindergarden boarding home facility and will have a pre-defined number of employees depending on number of children.

Kindergarden boarding home: There will be 1 full time caretaker for every 10 or 20 children who will stay/work at the boarding home in case of sickness etc. If a child is sick she or he will care for the child at the boarding home facility.

16.00-24.00

The “mother” and “dad” may be available at the same time or may arrange their schedule so the times are somewhat overlapping. This model will be used for the 4 other homes.

- Primary school boarding home (age 6-12)
- Secondary school boarding home (age 12-16)
- High school boarding home (age 16-19)
- College/university boarding home (age 19-25)

In addition to the assigned and financially compensated “mum/dad” there may be additional fostering services added such as the opportunity for childless career oriented individuals to adopt a family (6 children) and spend time with them on a weekly basis and/or during holidays.

How many of these boarding facilities will be required to sustain the birth deficit of a country?

That will depend on which policies the regime chooses to implement relating to reproduction. If we are not interested in the "50s model" and instead continue with "business as usual" with a fertility rates of 1,5 we will require many surrogate and boarding home facilities.

Example country

A country of 5 000 000 with a fertility rate of 1,5 would have a birth rate of approximately 9,72 births/1000 population annually:

9,72 x 5000 = **48 600** annual births.

In order for the same country to reach a fertility rate of 2,1 it would need to have an annual birth rate of 15,73/1000 population:

15,73 x 5000 = **78 650** annual births.

The annual birth deficit for this country is therefore **30 050**.

In other words, each year 30 050 babies will have to be ordered from surrogate facilities in low cost countries and delivered to the kindergarden boarding homes.

Every male/female donor will reproduce a maximum of 100 children. As such, there will be a requirement of at least 300 donors annually (for the reproduction of 30 000 children) depending on the desired restriction ratio to prevent future inbreeding effects.

This will be a large industry requiring a parent/guardian work force of at least 10 000 (2 full time employees per 6 children).

However, the above "reproduction industry" will ensure that the country has a sustainable fertility rate of 2,1 which can be adjusted should the women of that country decide to be a little more like Madonna or the women in "sex and the city". Most importantly, that country will not be depending on any immigration at all.

Donor Recruitment

This option is usually arranged through established egg/sperm donation programs. Existing European programs must be drastically increased to facilitate large-scale programs. Women in IVF programs may forward their excess eggs to other surrogates. One donor should however not donate more than 100 eggs/sperm doses to avoid potential future inbreeding effects. This number may be adjusted based on distribution area. All donors will be compensated financially for their expenses, time, risk, and inconvenience associated with the process.

Selecting and screening egg/sperm donors

All egg and sperm donors must be screened according to high pre-defined standards including genetic diseases. Optimally, the donors should score high in interpersonal, verbal-linguistic, logical-mathematical, intrapersonal and visual-spatial intelligence

tests[2] and be of the indigenous group (French genotype in France, Italian in Italy, Nordic in Scandinavia etc.).

Surrogacy

A surrogate is a woman who carries a pregnancy for another woman. The first surrogate pregnancy occurred in the United States in 1985. Gestational carrier refers to a woman who carries a pregnancy created by the egg and sperm of two other individuals. This process involves IVF. In this case, the gestational carrier is not genetically related to the child.

Setting up surrogate facilities in low cost countries

Anonymous surrogates can be arranged through existing surrogate programs such as for example the Organisation of Parents Through Surrogacy (OPTS). However, considering the potentially large scale of this project, dedicated surrogate facilities should be created in select low cost countries. Surrogates will be anonymous and are compensated for their services according to market rates.

Screening Surrogates

Surrogacy guidelines are not as well established as they are for donor sperm and donor eggs. The ideal surrogate is relatively young, has previously carried a pregnancy without complications, and does not have any habits, such as smoking, alcohol, or illicit drug use, risky sexual behaviour, or medical disorders such as diabetes or Rh sensitisation, that could jeopardise the health of the fetus. A complete medical history and physical exam should be performed as well as screening for infectious diseases. An evaluation of the surrogate's uterus may also be recommended, and psychological evaluation is strongly recommended.

Surrogacy programs vary in the amount of information given about the surrogate. Some programs offer the couple the opportunity to select and interact with the surrogate, while other programs maintain the confidentiality of the surrogate.

As with donor egg programs, the procedure for a gestational carrier involves IVF. As noted in the section on donor eggs, the gestational carrier may be given hormones to prepare her uterus for embryo transfer. The embryos from the infertile couple will then be transferred to the carrier's uterus. For traditional surrogacy, the surrogate is inseminated with the male partner's sperm via ICI or IUI near the time of ovulation. IVF is not necessary for traditional surrogacy. The success rates for gestational or traditional surrogacy can vary depending on male and female fertility factors.

Guardian parent recruitment, screening, education and incentives

Screening of guardian parents must be done thoroughly. This is not a 1-3 year job but instead involves at least 25 year term of commitment. A guardian parent cannot simply leave his 6 children after 5 years as this would be a catastrophe to the children. Instead he must be willing to invest at least 25 years of his life into this choice. The children needs stability and solid social frames.

Bachelor of Professional Guardian Parenthood – 3 year education

A guardian parent must complete a bachelor degree – for example a degree called: Bachelor of Professional Guardian Parenthood where he will learn how to be an optimal parent/tutor, everything from the needs of an infant to the needs of a teenager.

Success through incentive parameters decides wages

The wage of a guardian parent will be closely linked to his success. It will be an indirect competition between the individual guardian parents and their families where pre-defined parameters will decide the level of success.

Average grades for the children in the family, measured annually during kindergarden, primary school, secondary school, high school and college/university will be a primary factor. An average A for their 6 children will score the two guardian parents 100 points as the illustration shows:

Scholastic measurement

- A – 100 points
- B – 60 points
- C – 30 points
- D – 5 points

There will be 4 incentive phases and certain primary factors for measuring success may be added to the earlier phases

- Kindergarden – 3 basic points (+1-4 happiness points)
- Primary school – 7 basic points
- Secondary school – 10 basic points
- High school – 15 basic points
- College/university – 20 basic points

Score per phase

- Kindergarden: 35-700 points available to attain
- Primary school: 35-700 points available to attain
- Secondary school: 50-1000 points available to attain
- High school: 75-1500 points available to attain
- College/university: 100-2000 points available to attain

Balance of wage depending on hours invested per phase

The kindergarden phase will obviously involve more invested hours than the high school but especially the college/university phase. The incentive wage model must be created so it always motivates the guardian parent to do the best possible job in every phase. The success of his children must be a deciding factor for the guardian parents wage and the acquisition of pension points. Furthermore, successful guardian parents may be awarded in other ways as well (perhaps on the area that influences the social hierarchy). Regardless, the job of the guardian parent will be one of the most important ones in society and the incentives and appreciation should reflect that.

Happyness/psychological measurement

A resulting drop out of school or a 1 year scholastic delay for various reasons will result in a significant penalty to annual score.

A resulting suicide will result in a significant penalty to annual score.

The recipe for success is to find the balance between happiness/mental comfort and discipline/hard work.

The national goal must be to beat the currently leading oriental children (Chinese, South Korean, Japanese, and Taiwanese) in every scholastic measurement and thus achieve a system of excellence that is superior to all known systems.

Source:

1. http://en.wikipedia.org/wiki/In_vitro_fertilization
2. http://en.wikipedia.org/wiki/Theory_of_multiple_intelligences

Further development of artificial wombs/NICUs

The development of advanced incubator machines/artificial wombs could become an alternative (or even a substitute) to using surrogates in low cost countries. This can be done by investing in and developing highly advanced neonatal intensive-care units (NICU)[1] or by continuing the development of artificial uterus's[2] (ectogenesis[3]).

Sources:

1. http://en.wikipedia.org/wiki/Neonatal_incubator#Equipment
2. http://en.wikipedia.org/wiki/Artificial_uterus
3. <http://en.wikipedia.org/wiki/Ectogenesis>

3.91 Future democracy model and monoculturalism

It is proven without doubt that the current mass-democracy model which has been used in Western Europe the last 50 years has paved the way for our current problems. "Mass-democracy" has allowed cultural Marxism to hijack society's political structures initially through schools, universities and the media. When the cultural Marxist/multiculturalist regimes in Western Europe are defeated in phase 3 (2070-2090) a new type of political structure must be created which is immune to future Marxist attempts of infiltration. This structure should be protected by a conservative Guardian Council.

Certain political principles should be made permanent and un-alterable in the future.

Areas of politics which will be "managed":

At least one parliament seat should be reserved for a "Cultural and Scientific Overseer" which will have the right to veto any new bills presented by parliament which violates the nations primary doctrines (preferably only used in extremely rare cases and only when the primary values are threatened).

We must avoid a one-party-state system as this is not desirable in the long run. As long as we have implemented permanent mechanics in relation to cultural areas (culture, procreation, defence-security, immigration) we can afford to continue to guarantee balanced political representation on a majority of other areas.

Cultural aspects – monoculture, Christendom's position, Scientific goals (20% of budget will be reserved for Science and development). Protectorate policies – a future Europe will be protectors for the Middle Eastern Christian states and Israel, and are obligated to help all Christian groups around the world in their defence against future Jihads. Assistance should be offered and sent to our Buddhist and Hindu brothers if they request our help against Jihadi attacks or campaigns.

Cultural Marxism/European multiculturalism/extreme egalitarianism will be labelled as racist, genocidal, anti-European hate ideologies and will therefore be banned permanently.

The justification and driving force for the re-introduction of monoculturalism will be based on practical issues and circumstances related to social cohesion and not on hate. This re-introduction of monoculturalism will resemble that of today's Japan, South Korea and Taiwan.

See other chapters for in depth descriptions.

3.92 The rapid extinction of the Nordic genotypes

A 2002 study found that the prevalence of blue eye colour among European-Americans in the United States to be 57.4 percent for those born from 1899 through 1905 compared with 33.8 percent for those born from 1936 through 1951. Blue eyes have become increasingly rare among American children, with only one out of every six – 16.6 percent, which is 49.8 million out of 300 million (22.4% of European-Americans) of the total United States population having blue eyes. The plunge in the past few decades has taken place at a remarkable rate. A century ago, 80 percent of people married within their ethnic group. Blue eyes were routinely passed down, especially among people of Western and Northern European ancestry.

About half of Americans born at the turn of the 20th century had blue eyes, according to a 2002 Loyola University study in Chicago. By mid-century that number had dropped to a third. Today only about one 1 of every 6 Americans has blue eyes, said Mark Grant, the epidemiologist who conducted the study.

Grant was moved to research the subject when he noticed that blue eyes were much more prevalent among his elderly patients in the nursing home where he worked than in the general population. At first he thought blue eyes might be connected to life expectancy, so he began comparing data from early 20th-century health surveys. Turns out it has more to do with marriage patterns.

A century ago, 80 percent of people married within their ethnic group, Grant said. Blue eyes, a genetically recessive trait, were routinely passed down, especially among people of English, Irish, and Northern European ancestry.

By mid-century, a person's level of education -- and not ethnicity -- became the primary factor in selecting a spouse. As intermarriage between ethnic groups became the norm, blue eyes began to disappear, replaced by brown.

The influx of nonwhites into the United States, especially from Latin America and Asia, hastened the disappearance. Between 1900 and 1950, only about 1 in 10 Americans was nonwhite. Today that ratio is 1 in 3.

With the exception of an increased risk of macular degeneration (blue eyes are at greater risk) , eye colour is biologically indicative of almost nothing. Boys are 3 percent to 5 percent likelier to have blue eyes than girls, but beyond that it's a non-issue, physiologically speaking. The cultural implications are another story.

Preferences for fair skin and blue eyes stretch back in Europe to at least the Middle Ages, according to Hema Sundaram , author of "*Face Value*", a book about the history of beauty. For women in particular, especially those of European descent, fair skin and light eyes have long been seen as indicators of fertility and beauty.

America adopted those biases early on, and Hollywood reinforced them by anointing a long line of blue-eyed blondes such as Marilyn Monroe as the nation's sex symbols.

In the 1930s, eugenicists used the disappearance of blue eyes as a rallying cry to support immigration restrictions. They went so far as to map the parts of the country with the highest and lowest percentage of blue-eyed people.

So consumed were Americans with this ideal that in the '70s and '80s the fashion models who exemplified the All-American look were typically Scandinavian, said Katie Ford, CEO of Ford Models in New York, which has been in business for 60 years. Blue, by 53 percent, is by far the most popular colour contact lens sold at 1-800-CONTACTS, the

largest contact lens distributor in the US, said Tim Johnson, a spokesman for the company.

We all remember the horrors from WW2 where the Empire of Japan committed atrocities against the Chinese by large scale massacres and by using them as human test subjects for various purposes. Nazi Germany and other countries did the same thing in a smaller degree and it can't or shouldn't be excused. Unfortunately, the horrors of WW2 created a stigma associated with all future research and advances in the field of rerogenetics and improving humans biologically by removing negative hereditary factors. Nevertheless, it is common today for Westerners to abort if it is proved that the fetus has Down's syndrome, severe disfigurements (lacking or additional limbs) or other severe physical handicaps like dwarfism.

I decided to bring up this topic despite the fact that it is considered politically suicidal to discuss under the current cultural Marxist regimes. Most of the propagators of these issues are often affiliated with racist or Nazi ideologies. It is therefore very important with an anti-racist and anti-fascist perspective to these debates. Why is eugenics and rerogenetics so extremely politically incorrect to discuss?

The answer is due to the "negative eugenics programs" of Nazi Germany. Forced sterilisation and forceful experimentation of human test subjects are factors used at that time which should never have occurred. Many European countries used to forcefully sterilise Gypsies/Rom up to aprox 1972 to prevent them from breeding because they used to be considered "sub-human" etc. These programs are today referred to as "negative eugenics" due to these and other factors.

In any case, we need to get over this taboo as soon as possible because it is estimated that the Nordic genotypes will be extinct completely within 200 years. This is mainly due to intermarriage between Nordics and non-Nordics. Multiculturalist doctrines have speeded this "indirect extermination process" up further in many Western European countries so the extinction might happen sooner. F example the Norwegian cultural Marxist government has created a vast network of asylum camps all over the country (and in historically isolated small towns and villages) which will contribute to accelerate this process substantially. The Nordic genotypes might be wiped out within 200 years and yet not a single counter-measure has been employed to prevent this from happening due to the fact that it is considered politically incorrect.

Realistically there are only three ways to prevent this. One solution will be by introducing negative eugenics programs combined with ethnic segregation somewhat similar to some policies of the Third Reich. Segregating Nordics and non-Nordic genotypes at this point would be almost impossible even if you had military and political carte blanche. Even in Norway and Sweden the number of individuals with the Nordic genotype is reduced annually at a drastic rate due to EU open borders program, mass-Asian/African immigration and significantly higher Asian/African (especially Muslim) birthrates.

Current distribution of the Nordic genotypes

1. http://en.wikipedia.org/wiki/File:Light_hair_coloration_map.png

2. http://en.wikipedia.org/wiki/File:Passing_of_the_Great_Race_-_Map_4.jpg

Countries ranked after historic concentration of the Nordic genotypes

Country	1900 - %	1950	2010	2040	2070
Iceland	90	80	60	30	15
Finland	85	75	55	35	25
Sweden	85	75	45	20	10
Norway	85	75	45	20	10
Denmark	85	75	45	20	10
Germany	75	65	35	17	8,5
Baltic	75	65	35	25	18
Czech Rep	75	65	35	25	18
Poland	75	60	30	20	15
UK	70	60	30	15	7,5
US	57,4	33,8	16,6	8	4
Benelux	55	47	30	15	7,5
Australia	55	45	30	15	9
Slovakia	55	45	30	20	15
Belarus	55	45	30	20	15
Russia	35	45	25	18	13
Canada	40	35	25	15	7,5

As you see, the future projections of the extinction rate are based on current immigration policies. Eastern European countries will have a slower extinction rate due to more conservative immigration policies.

Political correctness/cultural Marxism causes the extinction

The countries included in the current EUSSR/USASSR hegemony refuse to discuss these topics due to the fact that political correctness paralyzes and prevents all meaningful debate. So the only chance we have to prevent the complete and utter extinction of the Nordic genotypes and other genotypes for that matter is depending on what policies the future cultural conservative European Federation countries choose to implement.

A solution which seems to be the only option which could work in this modern world would be to commercialise positive reprogenetics programs on a state level. This will obviously not be possible as long as the cultural Marxists dominate our regimes due to the fact that they are bound by political correctness/cultural Marxism. Anyone who suggests a program like this would immediately be labeled a Nazi and racist which subsequently would end anyone's career (character assassination). No Western politician, which is a part of the current EUSSR/USASSR hegemony, will take this chance. It is therefore up to the politically incorrect cultural conservatives to take responsibility when we seize power within 30-70 years. And when we do we should refrain from committing the same mistakes of the past. We must reject negative eugenics and instead focus on positive eugenics or so called reprogenetics.

Political correct individuals will say:

"Who cares if blonde people with blue eyes are extinct? We are all going to be dark skinned in the future anyway."

Wrong. We are only going to allow the indigenous peoples of Europe to be indirectly exterminated if we allow it, which we have no intention to allow. The hypocritical thing is

that the same individuals stating this is likely to support animals that are facing extinction, the preservation of rare species in the animal kingdom etc. Why should we preserve the polar bears, when we have brown bears?

According to the logic of the cultural Marxist - blonde, blue eyed people have lesser value than animals.

There are absolutely no valid arguments for propagating political views which indirectly result in the extinction of ethnic groups. The mentality just underlines that multiculturalism is in fact an anti-European hate ideology created to exterminate everything European. If a rare African or Asian ethnic group was found with distinctive physical characteristics the current cultural Marxist hegemony (lead by EUSSR and USASSR) would have no problem at all to allow and fund a group which goal was to preserve it (they are in fact doing this in Tibet who is being invaded by Han Chinese). They have no problem to justify their support to Tibet which makes them nothing more than hypocrites.

Solutions to prevent the extinction of the Nordic genotypes

There are basically two realistic solutions:

1. The commercialisation and state/media encouragement of reprogenetics favoring the Nordic genotype- See "reprogenetics and the future" for more information.

And/or

2. The usage of large scale surrogacy facilities as a secondary reproduction option for countries to compensate for non-sustainable fertility rates. The donors of eggs and sperm will then exclusively carry the Nordic genotypes. See "National reproduction policies" for more information.

Both solutions are possible and realistic if the political will is there.

Sources:

http://en.wikipedia.org/wiki/Blonde_hair
<http://en.wikipedia.org/wiki/Eyecolor#Blue>

3.93 Reprogenetics and the future

Reprogenetics is a term referring to the merging of reproductive and genetic technologies expected to happen in the near future as techniques like germinal choice technology become more available and more powerful. The term was coined by Lee M. Silver, a professor of molecular biology at Princeton University, in his 1997 book *Remaking Eden*.

In Silver's formulation, reprogenetics will involve advances in a number of technologies not yet achieved, but not inherently impossible. Among these are improvements in interpreting the effects of different expressions of DNA, the ability to harvest large numbers of embryos from females, and a far higher rate of reinsertion of embryos into host mothers. The end result, according to Silver, is that those parents who can afford it will be able to pick out the genetic characteristics of their own children, which Silver says will trigger a number of social changes in the decades after its implementation. Possible early applications, however, might be closer to eliminating disease genes passed on to children.

According to Silver, the main differences between reprogenetics and eugenics, the "science" of improving the gene pool which in the first half of the 20th century became infamous for the brutal policies it inspired, is that most eugenics programs were compulsory programs imposed upon citizens by governments trying to enact an ultimate goal.

Reprogenetics, by contrast, would be pursued by individual parents, who would be trying to improve their children with the same motivations that compel them to purchase expensive courses in preparation for standardised testing (e.g. the SAT).

Eugenics would have required a continual selection for breeding of the "fit", and a culling of the "unfit" while, according to bioethicist James Hughes, universal access to reprogenetics provided by a welfare state would permit the conversion of all the unfit to the highest genetic level. However, he shares Silver's concern that unequal access to reprogenetics could create a two-tiered society of "GenRich" and "GenPoor", genetically-engineered "haves" and "have nots" (see the film *Gattaca* for a fictional depiction of the latter scenario).

The other contrast is that it is now known that the concept of genetic purity through eugenics is misguided: this form of genetic purity, insofar as it is meaningful, is effectively inbreeding and results in poor health and infertility while the end result of reprogenetics on the gene pool would be reduced incidence of genetic disease and potentially increased genetic IQ.

Using reprogenetics actively to prevent conflict and war

Creating a World Bank of Genotypes would be an anti-racist solidarity project which would contribute to prevent conflict and war.

This bank or vault would consist of compilations of all threatened genotypes in the world included the Nordic genotypes, other European genotypes and Jewish Semitic etc. These are some of the current genotypes most threatened by extinction. It is estimated that within 200 years there will be no one left with the Nordic genotypes, certain African genotypes, certain Asian genotypes and certain other European genotypes.

Mapping and banking of the genotypes.

Genetic samples/genetic material from a variety of human genotypes, especially those genotypes that are in the danger zone of being extinct, may be banked in this vault.

As reprogenetics will be commercialised, these gene banks will be instrumental in the years to come. Anyone may order the DNA samples of their preference.

If I were a cultural Marxist I would do everything in my power to make this happen as the commercialisation and encouragement of these technologies would result in a scenario where many nationalists will have one less argument to fight for. The same can be said for other "revolutionary indigenous groups" who are fighting to prevent the extinction of their people. The commercialisation and further development of reprogenetics has the potential to be one of the largest peace projects the world has ever seen as it may prevent many civil wars.

As such, introducing and commercialising a World Bank of Genotypes must be considered a solidarity project, a peace project, which goal is to prevent conflict. It gives anyone equal right to the banked material. Anyone can choose any preference they want out of the world's genotypes. This type of project has the potential to end many conflicts once and for all, especially many of those related to ethnocentrism. The primary drawback would be that only the first world would have the financial capability of taking advantage of it during the first decades.

The various indigenous movements around the world will all play their part here and national governments of the parties involved should contribute to finance and promote it.

Sources:

http://en.wikipedia.org/wiki/New_eugenics
http://en.wikipedia.org/wiki/Designer_baby
[http://en.wikipedia.org/wiki/Reprogenetics_\(positive\)](http://en.wikipedia.org/wiki/Reprogenetics_(positive))
http://en.wikipedia.org/wiki/Evolutionary_biologist
<http://en.wikipedia.org/wiki/Eugenics>
[http://en.wikipedia.org/wiki/Margaret_Sanger_\(negative_eugenics\)](http://en.wikipedia.org/wiki/Margaret_Sanger_(negative_eugenics))
[http://en.wikipedia.org/wiki/James_Hughes_%28sociologist%29_\(bioethicist\)](http://en.wikipedia.org/wiki/James_Hughes_%28sociologist%29_(bioethicist))

Information to study:

List of genetics research organisations:

http://en.wikipedia.org/wiki/List_of_genetics_research_organizations

The Human Genome Organisation (HUGO)

The Human Genome Organisation (HUGO) is an organisation involved in the Human Genome Project, a project about mapping the human genome. HUGO was established in 1989 as an international organisation, primarily to foster collaboration between genome scientists around the world. The HUGO Gene Nomenclature Committee (HGNC), sometimes referred to as "HUGO", is one of HUGO's most active committees and aims to assign a unique gene name and symbol to each human gene.

http://en.wikipedia.org/wiki/Human_Genome_Organisation
http://en.wikipedia.org/wiki/HUGO_Gene_Nomenclature_Committee

3.94 Future economical model/public sector model/welfare program/economic zones/servant class

As mentioned several times, the ongoing European civil war is not a class war, and as such it is not a war between socialism and capitalism. It is a cultural war between cultural conservatives and cultural Marxists (nationalism vs. internationalism). Nevertheless, we, the cultural conservatives must ensure that we continue to have a sustainable economy based on many free market mechanics. Although globalist capitalism is a destructive concept does not mean that localised capitalism mechanics are. There must always be potent incentives for individuals who create work places. A socialist or even a planned economy must be avoided at all costs.

Laissez-faire is often used to refer to various economic philosophies and political philosophies (liberalism) which seek to minimise or eliminate government intervention in most or all aspects of society. Pure Laissez-faire capitalism is a globalist concept (no government intervention) and has several drawbacks. Many economical protective measures must be in place securing the economical sustainability of our cultural conservative economic zone (European Federation).

Future cuts in public sector to balance massive in-sourcing of new private sector jobs

Super inflated Western European bureaucracies/public sectors should be cut from the current average 50-60% down to approx 25%. There will be a buffer consisting of a pool of public work places equivalent to an additional 10% which can be created temporarily during recessions (from 25 to 35% of all jobs). These significant cuts will have a huge impact on many Western European public structures that currently have massive and super-inflated public sectors. However, millions of new work places will be in-sourced as a result of our future plan to implement significant toll barriers for non-European Federation economical zones. There will be a European anti-globalist shift of gigantic proportions which will result in the re-creation of former work places previously outsourced to non-EF countries. The future Western European public sector vs. private sector models re-introduces the concept that a state should serve its citizens, not the other way around. The future state which has undergone a significant diet will be better suited to spearhead the focus of the furthering of civilisational goals.

Economic solidarity/future welfare state

It is unrealistic to think that there will be complete economic equality in nations who have free markets. However, we should attempt to follow the Scandinavian welfare model to a certain degree to ensure a solid welfare program to all European citizens. Maintaining a sustainable solid welfare system depends on hard working individuals and social cohesion/a monocultural society. Welfare expenditure should not take precedent over the 20% fixed sum dedicated to science/technology, research and development. The furthering of long term European interests and securing the long term sustainability of our European civilisation must always take precedent over short term excessive welfare expenditure (greed).

Future Economic zones

The main problem with many Asiatic countries is that they do not respect intellectual property ownership, thus the products of many industries are systematically stolen and/or illegally misused.

Furthermore, we can't really compete with countries like China etc. Inviting them to the WTO was one of the biggest mistakes made the last 60 years resulting in the loss of millions of European jobs.

Japan, South Korea and several other nations are also playing outside the rules by manipulation of their own currency to benefit on import/export issues.

To illustrate Japan's cynicism, just study the Kodak case. Kodak should have had at least 30-40% market share in Japan. The problem is however that many European/US products are openly boycotted due to the nationalistic/protectionist tendencies/mentality of Japanese government and people. Unlike Europe and the US, Japanese individuals are much more imbued with patriotism and the un-interrupted social cohesion (Japan and South Korea rejected multiculturalism) is the reason why their "mass-democracy model" is still functioning well.

We should create a new economical zone – European Federation - where: Europe, US, Russia (+ Canada, Australia, New Zealand, Israel) have certain privileges. Only globalist companies that have majority ownership of individuals/companies/nations of this trio should be allowed full privileges in European Federation markets. More protectionist mechanics are needed outside this economical zone. Outsourcing of jobs outside this zone should not occur. Alternatively, we could create certain isolated areas inside these zones that works like a hub (where 2nd/3rd worlders are allowed to work for a maximum of 12 months (12 month contracts)).

Several international (globalist) companies have too much influence at the moment and we are witnessing that they are pushing for more immigration, even Turkey EU membership. It is essential that we ensure that the national states have a controlling stake in these companies or alternatively disallow them to enjoy the current rights in our markets. International companies (where we do not own a majority) should be banned from lobbying and should not be able to have any influence whatsoever regarding immigration, outsourcing policies and state sovereignty.

Future servant class

It would be logical to use cheap foreign labour especially within the construction sector. These workers should be given 12 month "focus contracts" and must return to their country of origin after the term has ended. Focus contracts involve working up to 12 hours per day. These individuals will be offered competitive wages (compared to their country of origin).

One of the primary arguments for modern mass immigration is to justify the demand for labour, jobs the indigenous Europeans are unwilling to take. Now, who will take these jobs when we have halted immigration completely and deported all the Muslims?

The problem with the current model of mass immigration is that every individual, depending on country, is awarded citizenship within 7 years. The children of these first generation immigrants are not interested in the jobs the parent generation took so we have to accept even more immigration to fill in these gaps every two decades. It develops into a never ending spiral of mass immigration which eventually leads to a situation where the indigenous people end up as a minority.

The following solution will provide a servant class covering the following professions:

- Cleaning
- Construction work
- Gardening
- Taxis
- Farming/harvesting

6-12 month "focus contracts" will be offered to individuals from Bangladesh, Pakistan and India (these services may be reserved for Christians, Hindus, Sikhs and Buddhists considering our Hostile stance towards the global Islamic Ummah). These will be flown in in bulk every month and will leave at the end of the contract. During their stay they will work 12 hours a day for the duration of their contracts (6 or 12 months) and are then flown back to their homelands. There should be at least a 6 month quarantine period between every 12 month contract to prevent the individuals from becoming too culturally attached.

These individuals will live in segregated communities in pre-defined areas of each major city and must be provided free medical services, free housing in restricted barrack towns and subsidised food /essentials and subsidised transportation costs. This will allow them to return with a larger portion of their salary. They will be compensated at a rate equivalent to 300% of what they would have earned in their country of origin.

For example, if they would have earned 200 Euro per month in Bangladesh they will earn 600 Euro here.

This might sound cynical to especially females (this is not slavery as slavery is taking away peoples freedom) but it is in fact much more generous than what currently Arab countries (Saudi Arabia, Dubai, UAE etc.) are offering their guest workers from Bangladesh, India, Pakistan and the Philippines. More than 90 per cent of the total UAE workforce is made up of foreigners (mainly from India, Pakistan and Bangladesh). None of the foreigners are granted citizenship but usually work on 12 month contracts with very low wages. Furthermore, these arrangements are not very different from what the southern states in the US are currently offering Latin American guest workers.

Most importantly, large scale implementation of these "guest worker" arrangements will prove to be a very efficient source of cheap labour and these arrangements can be easily regulated to accommodate bull and bear markets. Because there will be recessions or slow periods when we will need many of these jobs for our own people while there may be economical booms which will involve increased use of these arrangements.

The economical impacts of extensive usage of these "guest worker" arrangements will have significant impacts on the competitiveness of our civilisation, our economic zone and will ensure that we will have the required funds (20% of GDP) to channel into science, research and development (and of course to secure this scientific capital from theft from non-EF countries).

It will allow us to become the economical powerhouse of the world and the beacon of light for all humanity. It will allow us to contribute significantly to the furtherance of mankind.

End note: Multicultural zones with extended use of "guest workers" can also be considered in protectorate states outside Europe such as liberated Christian Anatolia and liberated Christian Albania.

3.95 Future Western European educational systems

a. Gender-segregated schools

All primary, secondary and high schools should be gender segregated. All private and government, primary, secondary and high schools should have compulsory gender segregation. Gender segregation should also be considered for colleges and universities.

Throughout history, society has gone through many phases dealing with societal norms in the areas of education, culture, religion and morals. Sometimes these phases are cyclical, which can be a good or bad thing.

The recent trend is single-sex education in public schools. After nearly a 40-year absence, people are starting to realise that the education system that was in place for the last part of the 19th century and the first half of the 20th century was successful.

The bottom line is the same: Separate the girls from the boys.

There are many factors influencing success. For instance, whenever the distraction of boys is taken away from girls or vice versa, students no longer have to worry about how they dress, who they have to impress or who their friends are. Instead, they are able to concentrate more on academics.

Also, in single sex classrooms teachers can focus on the environment in which the particular gender learns better. Dr. Leonard Sax, a Maryland physician and psychologist, found in a study that girls tend to learn in a quiet and slower paced environment and liked to be called by their first names whereas boys like things energetic, fast paced and prefer to be called by their last names.

This is a nationwide trend re-appearing with the number of single-sex public schools increasing from four to 140 over the last eight years, according to Sax. And the trend keeps growing. CNN reported at least 10 single-sex schools were to open this fall in Texas, Ohio, Pennsylvania, New York and South Carolina.

This trend has such a positive impact on public schools that the U.S. Department of Education is looking to change parts of Title IX, the law that bars sex discrimination.

According to studies done by the National Association for Single Sex Public Education, over the last 40 years, co-educational schools may have done more damage than good. To a point, these schools help reinforce gender stereotypes rather than breaking them down.

The single-sex school trend is seen in other countries such as Japan, England, Australia and Jamaica. Studies have shown the difference between co-educational schools and single-sex schools has been significant, mainly in the areas of standardised test scores and grades. The single-sex public schools are producing higher grades and test scores than co-educational schools.

If these schools are as successful as people perceive them to be, one must hope that eventually colleges will continue the trend. The single-sex education trend should not be mistaken for some passing fad. Separating the sexes has positive, long-term impacts that universities around Europe should consider.

b. School uniforms are common in primary and secondary schools in many nations. School uniforms in Australia have traditionally followed the model of their British counterparts. All private and government schools should have a compulsory uniform policy for primary, secondary and high school.

School uniforms are common in United Kingdom, Australia, China, Israel, Japan, Malaysia, Singapore and many other countries.

c. Focus on excellence instead of mediocrity

d. An increased degree of discipline re-introduced including the possibility to use physical disciplinary methods)

Source:

1.
<http://media.www.thebatt.com/media/storage/paper657/news/2004/09/10/Opinion/Gender.Segregation.Serves.Schools.Well-715092.shtml>

3.96 Alternative energy, scientific/technological evolution, overconsumption/pollution/overpopulation,

Development of alternative energy, to reduce dependency of oil

Getting around is necessary, oil is not. Considerable efforts should be made to further develop high-power Lithium-Ion batteries. The goal should be to aim for oil independence. This will not only save the environment; it will completely devastate many Muslim countries economically which will weaken the ongoing Islamic imperialism.

New civilisational goal - the pursuit for scientific and technological evolution

The never-ending collective pursuit for scientific evolution and perfection should become the benchmark and essence of our existence instead of glorifying individuals acquisition of wealth and "lookism". There must always be incentives. We should just change what types of incentives we wish to glorify. This type of civilisational shift is only possible under a strong "nationalistic" framework.

The following might seem like science fiction to some but I believe we should have ambitious and visionary goals:

We should focus on specific goals in this regard;

a. Developing a brain-computer interface (BCI) which provides a direct path of communication from an external device to the brain. The goal should be to create an alternative to educational institutions. Downloading information to the brain more efficiently can free up 15-30 years of an individual's life which normally would have been used for studies. This might take decades to develop and hundreds of billions spent but imagine how it would revolutionise our world.

b. Biological perfection - rerogenetics

The Nazis destroyed the reputation of "eugenics" by combining it to scientific racism and mass extermination. But seeking biological perfection is still a logical concept and I don't see why we should abandon it. We just have to make sure that we offer it as a voluntary option to everyone or at least start by legalising it (promotional voluntary rerogenetics or private rerogenetics). We should legalise reproductive technologies that will allow parents to create off spring with biological improvement (rogenetics). This must be a non-coercive form of biological improvement which will be predominantly motivated by individual competitiveness and the desire to create the best opportunities for children.

Overconsumption, pollution and overpopulation

Overconsumption, pollution and overpopulation are the three problems that threaten the future of life on Earth. The three problems intersect and are interactive, but they are also separate and distinct.

The cultural conservatives guide to reduce pollution:

1. All 2nd and 3rd world countries (where the average birth rate is above 2,1) are to implement 1 child policies until their country is stabilised in regards to financial outlooks and overconsumption, saving their forests etc. This will both solve their poverty problem and result in drastic cuts in global pollution due to the fact that the population (consumer) explosion will be reversed. You cannot have any hope of reducing global pollution unless you focus on reducing the current population explosion in 2nd and 3rd world countries. Any country that does not comply will not receive any incentives (aid, development funding/loans, and trade import/export concessions). This approach can also be used for giving these countries incentives to stop them from cutting down their forests.
2. Decrease global consumption through implementing protectionist policies. The future cultural conservative European Federation (Europe w/Russia, US, Canada, Australia, NZ will introduce significantly higher import taxes which will significantly give European producers the profitability they need to re-build their industries and to remain economically sustainable. China and certain other countries will be expelled from the WTO (a new reformed WTO with emphasis on the European Federation countries. Prices on non-European goods will be considerably more expensive which will reduce demand significantly. Capitalistic principles within the new economic zone should still be the preferred economical model (local/national entrepreneurship with sufficient enough financial/tax incentives to ensure a thriving and healthy economy).
3. All globalist companies will be nationalised (a minimum of 50,1% ownership must be re-distributed to EF governments hands (combined) at any given time, for their respective countries). Investors with majority control who refuse this re-nationalisation process will have their respective corporation expelled from the European Federation monetary zone (losing trading concessions). Ensuring state control is the only way to avoid that globalist capitalist political lobby groups continue to negatively influence European policies relation to immigration and multiculturalism.
4. Phase out diesel/benzin vehicles (and thus end our dependency on Muslim oil) and focus on commercialising electric cars/battery cells. This will be a lot more significant problem in the US due to their decentralised infrastructure but much easier in Europe. Larger vehicles (trucks/planes/ships) will in the unforeseeable future still have to rely on diesel/benzin/bunker oil until we have managed to develop battery cells with sufficient power. The development of these battery cells will be a prioritised task.
5. Building a vast network of nuclear power plants. This will ensure the cleanest energy available when compared to invested resources.

Global population control

First of all we have to ask ourselves. What population size can our planet support? This can be rephrased, in ecological terms, as "What is the carrying capacity of the planet", as applicable to human populations, specifically. The carrying capacity is the number of individuals an environment can support without significant negative impacts to the given organism and its environment.

According to www.footprintstandards.org;

In 2005, the bio-capacity of the Earth was 13.6 Ggha, and the population was 6.5 billion; therefore, the sustainable per capita global footprint was 2.1 gha. But aggregate demand was for 17.5 Ggha, which represents a per capita demand of 2.7 gha.

In other words, in 2005 we were overdrawing the bio-resource account by about 29% per annum.

Since 2005, the world population has increased to approximately 6.8 billion (2008) and the demand for resources from developing economies, such as China, India, Brazil, and Indonesia has increased substantially—in China, the Beijing Olympic Games alone must have generated a large increase in demand. On the supply side of the ledger, the bio-capacity of the Planet has, if anything, been reduced as the result of ongoing land degradation, forest destruction, and fish stock depletion. Consequently, at a conservative estimate, demand now exceeds supply by something like 35–40%.

According to the UN's most-likely, medium growth scenario (UN 2004), by 2050 the population of the World is projected to have increased to at least 9.1 billions, although it is understood this figure is likely to be revised upwards. Some would suggest the 2050 population will be nearer 9.5–10 billions.

Table 1 World populations in 2007 and 2050 (est., UN medium-growth-rate scenario) by income groups (LPR 2008). No allowance is made for redistribution of populations, such as low-income countries becoming middle-income countries by 2050, nor for migration of people from low-income countries to higher-income countries. (x million)

-	Populations 2007
	Rich Countries 942
	Medium-Income 3085
	Low-Income 2452
	World 6479
-	Populations 2050
	Rich Countries 1025
	Medium-income 4277
	Low-Income 3765
	World 9067

Source: 2007 data CIA World Factbook 2008 from which 2050 data calculated. Note minor variations from UN 2006 Revision of Population Database.

Overpopulation is not a "natural" process: It is the outcome of 2nd but especially 3rd world human behaviour. They caused the problem, they must solve it. Unfortunately, it is inherent in the collective mindset of our species that most people avoid even thinking about the problem, let alone acting to try to solve it. A European cultural

Marxist/multiculturalist/suicidal humanist/capitalist globalist elite created this problem and thus cannot solve anything.

They created the UN articles stating:

"It is the right of every woman/couple to reproduce and have as many children as they want..." - this is stated in Articles 12 & 16 of the Universal Declaration of Human Rights.

Telling the second and third world to stop having babies would defy every single principle a cultural Marxist/multiculturalist believe in. It would involve offending and discriminating which is unthinkable under their mindset. They are truly paralyzed as a result. This while the overpopulation, hunger and human misery progresses. Only a strong, self confident, rationalist and cultural conservative hegemony (European Federation) can deal with and solve this problem. Even if the second and third world countries ignores the call of this "hegemony", nature will correct their suicidal tendencies as they are unable to feed their populations.

We should take a leading role in ensuring that we solve or limit this problem. We must therefore not be afraid to openly criticise countries that have lost control. We must offer them guidance and assistance in order for them to take radical steps to reduce their populations. Most of the challenges related to overpopulation are a direct result of the current cultural Marxist/multiculturalist appeasement and egalitarian approach. They have implemented a doctrine where they channel resources to already overpopulated regions in the 3rd world. By doing this they are creating even bigger challenges. Furthermore, they are allowing the current development to continue because we, the rich west, serve as a dumping ground for excessive 3rd world populations. Instead of fixing the broken pipe, they are acting as a soak for the water pouring out. This approach completely defies logic and is not sustainable.

We should create population capacity guidelines for continents or countries. The guidelines should be based on a combination of the availability of resources and other factors in an attempt to limit overpopulation. Every country should abide by these guidelines. If starvation threatens the countries who have failed to follow our guidelines we should not support them by backing their corrupt leaders or send any form of aid. There is no general consensus to the carrying capacity of the planet. Our planet should not exceed 3 billion individuals so radical policies will have to be implemented (we are currently more than 6,8 billion).

PCCTS, Knights Templar and a future European Federation must propagate a global population cap of 2,5 billion (1950-level)

The primary principle must be quality over quantity. Europeans will never accept an approach where Marxist/fanatically egalitarian principles are accepted as the global norm. Under Marxist reasoning and rules, rational societies would be punished for the irresponsible behaviour of irrational countries. Why on earth would Europeans accept a Syrian standard of living because the population explosion is out of control in Muslim countries like Pakistan and Bangladesh? All countries must take responsibility based on their own historic track record in relation to population growth and must commit to reducing their respective populations to a 1950 population level. Once each country reaches a 1950 population level, measures must be taken to stabilize the growth on that level which involves keeping the fertility rate at 2,1. A future European Federation must pressure all 2nd and 3rd world countries to pursue this goal. Food aid to 3rd world countries must stop immediately as it is the primary cause of overpopulation.

Global population in millions per continent

Continent	1950	1975	2000	2010	2025	2050
Africa	227,3	418,8	819,5	1 033	1 400,2	1 998,5
Asia	1 402,9	2 379,4	3 698,3	4 166,7	4 772,5	5 231,5
Europe	547,5	676,2	726,6	732,8	729,3	691
Latin Am + Cari	167,3	323,3	521,2	588,6	669,5	729,2
N. America	171,6	242,4	318,7	351,7	397,5	448,5
Oceania	12,8	21,3	31,2	35,8	42,5	51,3
World	2 529	4 061	6 115	6 908	8 011	9 149

Source:

UN Statistics Division, Department of Economic and Social Affairs. "World Population Prospects: The 2008 Revision".

Note: future estimates are based on a medium fertility variant of population growth.

You can read more about these very important topics here:

1. <http://en.wikipedia.org/wiki/Overpopulation>
2. http://en.wikipedia.org/wiki/Carrying_capacity
3. John Reid <http://gpso.files.wordpress.com/2008/11/gps0-john-r-reid-paper.doc>

3.97 Future aid policy – Africa - The foreign cultural Marxist aid establishment and the harm it inflicts on Africa

Foreign aid has harmed Africa and should be phased out. Every single donor country should call their client and inform them that the current aid will stop in five years. This should apply to the enormous amounts channelled from state to state and through the World Bank. This will force them to take immediate and necessary action to implement sustainable measures. Limitless development assistance to African governments, has fostered dependency, encouraged corruption and ultimately perpetuated poor governance and poverty.

This view has been propagated by individuals, Conservatives of Europe such as Peter Bauer and William Easterly for decades but I guess we had to wait for Dambisa Moyo before anyone listened. Similar views are held by the President of Rwanda, Paul Kagame and the President of Senegal; Abdoulaye Wade.

Thousands of billion USD have been channelled to Africa the last 50 years with absolutely no positive results for the continent. During the short period from 1970-98 alone the amount of poor in Africa have increased from 11 to 66%. The main problem with the aid is that it results in corruption and bureaucracy, to civil war and to weak political leaders. Aid works as a lethal injection which protects corrupt leaders, mismanagement, and corruption in general and flawed politics. Aid prevents the establishment of sustainable functioning societies. As such, the more aid a country receives the more it plunges into poverty and corruption.

It's much easier for an African head of state to just call a donor country and plead for funds than it is for him to implement sustainable mechanics (which are often painful

short term). And it's a lot easier for a donor country to give these "handouts" than it is to agree on implementing mechanics that might threaten their own farmers. China's approach to Africa should be considered as a great example of how Europe should act. China views Africa as a partner and not as a social client.

The fundamental problem with Sub-Saharan Africa is that millions of Africans in many nations have a broken soul. Many countries are completely soaked in corruption which is a result of the legacy resulting from the imperialistic nation building efforts (or rather nation division) combined with five decades of failed cultural Marxist aid policies. These policies have caused millions of deaths and has pushed even more people in to poverty. We must discontinue the current oppressive, racist and genocidal aid policy propagated by the cultural Marxists EU/US elites which has been in effect the last 50 years. We will stop the transfer of funds to corrupt third world leaders and instead ensure that Africans are given a real chance for self determination. Yes, this will involve a new fundamental write up and "re-creation of many African territories which has the potential to result in short term African revolutions and wars.

The first step and approach must be to protect Christian/Animist Africa from Islam and Jihad. Islamisation must be stopped. Africa must be divided in two – a Muslim and a non-Muslim part (Christian and Animist). Furthermore, we must contribute to consolidate the Christian/Animist part by using the same principles of nation building as that of Europe (creating nation after ethnic/tribal lines). The old European imperialists were evil in the sense that they often carved up African countries dividing tribes and mixing opposing ethnical groups to more easily maintain control (divide and conquer). This has contributed to paralyzed them through an endless spiral of ethnic and religious/political conflicts. As such, we have a lot of work to do with Africa. We must allow the re-creation of certain African nations following ethnic and tribal lines (and isolating or deport the Muslim groups). We will then be able to establish a true fundament for African nationalism which again will contribute to give millions of Africans pride and hope for the future. We must allow certain corrupt leaders to be removed by allowing or even actively supporting the non-corrupt African groups militarily. Many corrupt leaders will have to be removed by force. This is the only rational solution to solve some of the fundamental problems with many current dysfunctional African nations. Short term pain is a lot better than condemning many African nations to eternal misery.

Furthermore;

1. Average IQ in sub-Sahara Africa is between 63-77 ranging from country[1].
2. Overpopulation/carrying capacity far exceeded, thus the environment is destroyed.
3. The massive food aid prevents African agricultural companies from growing and becoming sustainable.
4. The world's response is 10 000 NGO's trying to "help."

What is needed is NOT another 3. (nonprofit,) but a program that recognises 1. and works to solve 2.

The road to hell is paved with good intentions. Doing nothing is preferable to doing something that makes you feel good, but exacerbates the problem. Doing nothing is hard, because we are moral creatures, but sometimes doing nothing is the correct moral response. Yes, it hurts, but life is tough and our morality calls for us to make the difficult choices.

Source:

1. http://en.wikipedia.org/wiki/IQ_and_the_Wealth_of_Nations

3.98 Future crime prevention, EF anthem, Independence Day, imperialism

Future crime prevention

Crime will not be tolerated in a future cultural conservative Europe. Military campaigns will be launched with full force to break and obliterate the Albanian and Rom criminal networks (and other large European criminal networks). Exceptions may be made to criminal networks who have contributed significantly to the regime changes in Western Europe. A three-strike-rule should be used as a method for crime prevention directed against any and all criminals. Third strike leads to either execution or losing the citizenship followed by subsequent banishment/deportation from the European Federation territory.

Future European Federation anthem

The formalisation of a new and powerful cultural conservative "European Federation" should have a new anthem. The anthem could be a vocal variation of: Lux Aeterna by Clint Mansell^[1], and could be made available on all European languages. The vocal theme of the song should underline European unity against Jihad and the Islamic Caliphates in the past and our struggle against Marxism.

1. [http://en.wikipedia.org/wiki/Lux_Aeterna_\(Requiem_for_a_Dream\)](http://en.wikipedia.org/wiki/Lux_Aeterna_(Requiem_for_a_Dream))

Future Independence Day

New European cultural conservative Independence Day should be celebrated on September 11th or 12th marking the successful defence of Western Europe by the Holy League. The Battle of Vienna in 1683 should be celebrated as the Independence Day for all Western Europeans as it was the beginning of the end for the second Islamic wave of Jihads. Alternatively, it could be the day all Muslims have been successfully deported from Europe.

Future anti-imperialistic stance

We must continue our anti-imperialistic stance. And let's face it; a future European Federation (consisting of Europe and Russia) will have all the territory/resources we will ever need to satisfy our future demands. We must not and should never attack another sovereign country. Driving out Islam from Christian lands is however not an imperialistic campaign. It's a basic right, a defensive strategy designed to reverse decades of corrupt and suicidal European leadership. Our territorial claims (on behalf of the rightful owners) are limited to eastern and western Anatolia and the areas north and south of Israel for the benefit of Israelis and Christian minorities. Sovereignty of these liberated lands must go to their rightful owners and must not be annexed by future European Federation elites. Annexing these territories for our own benefit would per definition make us imperialists and must therefore never occur. A future European Federation should be inward looking and implement isolationist/protectionist principles with certain exceptions (see other chapter).

3.99 The destructive forces of the diversity/ethnic industries, comments and solutions

This is the continuation of the essay in the book 2: "Europe Burning", called "2.62 *How the diversity industry/ethnic industries/sub-cultures such as Hip-Hop in combination with unrestricted media rights contributes to destroy society*"

More perspectives are added (along with solutions), as that essay failed to document how hip-hop negatively affects European youths, so I will add comments and certain explanations. I can personally attest to the negative results of the hip-hop movement (and the hip-hop mentality) as I was a part of it for several years (from 13-16 and somewhat up to the age of 18). The destructive results of hip hop can be divided into sub categories:

Some of the significantly negative effects of the Hip-hop mentality:

1. Destructive role models who directly or indirectly propagate anti-social and anti-authority views (anarchistic views).

These views lead somewhat to apathy and a destructive mindset. As described in the essay, this mindset automatically places the individual in a victim hierarchy where non-African youth mimic the position of victimhood (black/minority oppression communicated through hip-hop). This is very destructive as it causes the individual to develop an anti-authority (anarchistic) mentality. When I was in the movement, I remember we declared a war against Oslo Sporveier (Oslo's subway company) and our goal was to bomb them continuously (punish what we saw as our enemy, through bombing train sets and property with tags and pieces). However, the anti-authority, anti-social behaviour is also manifested through petty crimes and random violence and robberies (mimicking the "thug" mentality).

2. Destructive role models who propagate and glorify drug use, primarily hashish and marijuana.

I personally know of more than 50 individuals who started with hashish and marijuana as a direct result of the hip-hop mentality. Many of these went from light drugs to heavier drugs such as amphetamine and even heroin. I personally know that more than 20 individuals, from my "hip-hop community", have become severe drug addicts and some of them are probably dead today. I estimate that of the 20 000 drug addicts in Norway, approximately 30-40% have initially been significantly influenced by the hip hop mentality. As such, Hip Hop is in many aspects an institution, a way of life that is indirectly responsible for the apathy and mental conditioning that leads to youngsters experimenting with light drugs. I know of at least 10 people (not included in the above description) who have damaged their brain capacity severely as a result of excessive use of light drugs such as hashish and marijuana. One of my best friends, Mariuss, little brother Fabian is one of them (my self and Marius indirectly introduced him to the hip hop mentality 15 years ago). I've talked to Fabian on several occasions about this, as he is still into hip-hop. He is as stubborn as I was 15 years ago and refuses to see the connection and refuses to change his mentality and reject hip-hop as something destructive. He now suffers from effects (vocal) and a destructive mentality as a result of the negative hiphop mentality and excessive marijuana use and thus experience significant career limitations. I never tried drugs myself as I never wanted to break that threshold but I was among the perhaps 5-10% of the movement that refused.

3. Destructive role models who propagate and glorify anti-authority/revolutionary/anarchistic attitudes through the graffiti movement (which is a central part of hip-hop).

I remember my active years in the hip-hop movement as a continuous and intense orgy of misconduct, manifested primarily through tagging and piecing. During my two most active years at the age of 15 and 16, I estimate that myself (Morg), Richard (Spok) and Jon Trygve (Wick) inflicted property damage (through bombing raids - "tagging") of approximately 2 million Euro combined of which I inflicted approx. 700 000. The three of us were the most active of a loosely distributed "tagger force" numbering approximately 1000 at the time. This was during a primary peak of Hip-hop, in 1994-1995. I estimate that the numbers of taggers have been reduced substantially since then and hover at around 200 individuals today in Oslo. I remember one time when I was 15; me and Marius stole a bolt gun from a construction area and destroyed 20 high tech ticket systems. It was a part of our rebellion against the city sub way company, a mentality developed and nurtured through the destructive role models of hip hop. The orgy of destructive behaviour ended just after I got caught making a piece together with friends. Until that point people like me saw hip-hop as life itself. I had to make a choice, either to get away from hip-hop or end up like so many others who had destroyed their own future. The choice wasn't easy at the time but I eventually made the right choice and abandoned the hip hop movement and all my old friends at the age of 16.

4. Destructive role models who propagate and glorify violence and gang mentality.

The hip-hop mentality is quite masochistic. I remember that during those years, carrying a weapon of some sort was mandatory. Dominating others through violence is a central aspect of the hip-hop mentality. Some of the most vicious gangs in Norway (the B-gang) are partly an indirect spawn of the ghetto/gangster mentality communicated through hip-hop. I used to "tag" with B gang members when I was 15 and 16 (under the call sign of GSV). As we all know, they refined the violent hip-hop mentality and became hardcore career criminals. It is hard to estimate how much violence and crime is a direct result of the hip-hop/gangster mentality but it is significant for sure causing hundreds of millions of damage and causing hundreds of casualties annually through shootings and violence but also through suicides and overdoses.

4. Destructive role models who are allowed to indirectly contribute to undermine positive norms and instead are allowed to negatively influence, propagate and transfer a negative primitive pride and destructive norms.

This is related to the cause of the problem. What makes young Europeans so susceptible to the hip-hop mentality? I will try to list the primary reasons such as facilitating factors and forces.

a. Big business, globalist companies

Ethnic/ghetto lifestyles are glorified- Jay Z, 50 cent etc. These and similar destructive icons generate billions and are deliberately glorified by large corporations. Who profits? Magazine corporations, clothing brands, the fashion industry, sports brands (basketball etc.), the music industry etc. This is a billion euro industry and the corporations behind the products allocate significant amounts to political lobbying to ensure that there are absolutely no restrictions. Furthermore, MTV and similar TV stations, television shows, the movie industry, magazines and even the game industry deliberately propagates the hip-hop lifestyle through everything from movies, music videos and GTA (Grand Theft Auto). Globalist corporations, in light of their considerable geo-political influence, are extremely powerful.

b. A social and political environment lacking nationalistic principles

The hip-hop mentality can only survive in a multicultural and an extremely liberal society with complete lack of nationalistic political doctrines. The utter defeat of nationalism in WW2 (which sent nationalistic political principles back to the stone age), the persecution of nationalists post-war, and by allowing Marxists to infiltrate the culture, media and school sector is a direct result that has resulted in the cultural climate where a sub-culture such as hip-hop could thrive. The vacuum that gradually came into existence after the cultural Marxists systematically deconstructed traditional norms, traditions and culture has resulted in the bloom of destructive "non-cultures" such as hip-hop.

c. Breakdown of the nuclear family and traditional family values

Based on my personal impression, those individuals who are mostly susceptible to the negative and destructive influences of hip-hop, comes from broken families where there is a complete lack of "positive male role models with authority" (authority figures).

A majority of the people who became entangled by the hip-hop mentality came from broken families. I remember that at least 80% of "my old crew" were in that category, myself included. 15% came from families where the father was "a modern feminised male figure" resulting in lack of authority and discipline. Only 5% had old-fashioned fathers who had respect and were the primary authority figure/role model for the individual. Only, Richard, of all the people I knew came from a solid family with a father worthy of respect. The other individuals lacked complete respect for their fathers as they were like women or came from broken families. The lack of an authority figure in the family is the primary cause why many are susceptible to negative role models such as those in the hip-hop genre. A restoration of the nuclear family with a father as the undisputable authority figure is the best and most efficient method to prevent negative influences on children "going rogue". I'm not going to go further into this as the Marxists' role in the deconstruction of the nuclear family and feminisation of European men have been covered in another chapter.

d. Media companies have absolute power to decide what "lifestyles to sell"

Traditional activities that used to be glorified by the government and media during the 50s and 60s (such as the Boy Scout movement and sports) are now in a much larger degree ignored. The reason for this is that the free market media has been allowed absolute power when it comes to deciding what "lifestyles to sell" to Europeans. Not surprisingly, the glorification of "positive lifestyles" such as the Boy Scout movement, sports and physical activity has now been replaced by media companies with "profitable lifestyles". These are often destructive lifestyles but they are at least, profitable for the media companies/corporations selling them. The big money doesn't come from the local sports clubs or the Boy Scout movement, but rather from food-, clothing-, music-, fashion-corporations etc. The old ambassadors of "positive lifestyles" have been replaced with destructive role models propagating negative and unhealthy lifestyles.

e. Lack of cultural pride results in lack of pride on an individual basis.

The lack of cultural pride will lead to an unfilled vacuum. The individual is always on the lookout to fill this vacuum and will usually select "lifestyles" glorified by the media. Lifestyles that are not cool are ignored. There are few appealing positive alternatives in today's society as the "traditionally positive lifestyles" are demonised while "negative destructive lifestyles" are glorified. Negative destructive lifestyles indirectly glorify excessive casual sex, infidelity, life-threatening activities/high risk sports, suicidal and apathetic behaviour, drug use, unhealthy foods leading to obesity, the hip-hop mentality (violent, racist, sexist, anarchistic) etc. This is a result of the media companies' unrestricted and ungoverned power in combination with cultural Marxists' ongoing and systematical deconstruction of culture, traditions, norms and moral. The mix of this unholy alliance is lethal to a society.

Solutions

How can we solve these problems? A complete guide is presented in book 3 in this compendium.

As for the fate of the hip-hop industry; banning it altogether is not the optimal solution as it would cause overwhelming short-term outcry and it would eliminate positive aspects as well. However, I believe significant restrictions in the rights of media companies which will include censoring negative and destructive lifestyles. An alternative is to limit such marketing to future "liberal zones". Certain positive aspects of the hip-hop movement should be allowed to survive such as break dance and positive genres of the music as long as it positively influences the self-confidence of European youths and only if it can be re-defined as a European tradition and not portrayed as a ghetto/ethnic/multiculturalist lifestyle.

It is beyond all doubt that the political obstacles to solving these core issues are so comprehensive and enormous that only a revolution (initiated by a military coup) would present a climate where these issues can be properly addressed and solved.

Considerations

Just outright banning the diversity/ethnic industry isn't necessarily the way to go as it would cause too much short-term outcry and discontent.

We should consider spending at least a couple of decades to reform the educational sector in order to give the new generation of youths the intellectual tools to identify certain destructive and divisive aspects of the diversity/ethnic industries. The approach towards the diversity industry should perhaps be done indirectly and not directly. Taking direct steps through banning/censoring will only contribute to give the Marxists massive ammunition and recruits. No one wants to live in a "Taliban style, puritan society without any options. An alternative is to give everyone an option by introducing a political concept known as the "cosmopolitan liberal zone". A cosmopolitan liberal zone should consider allowing absolutely everything, even the legalisation of marijuana, gambling and prostitution. The liberal zones are perceived as zones where liberalistic anarchy reigns and more people will understand and value the positive aspects of political conservatism and people will gradually migrate "voluntarily" from the liberal zones to the conservative territories. The essential thing is to allow people to make the correct choices for themselves. Many people will feel overwhelmed and literally overdose on liberalism in the liberal zones (resulting in a scenario where they are completely turned off) and will thus understand the negative impacts of excessive liberalism (anarchy). Nevertheless, many will choose to stay and we should and must respect that. We must give an alternative to everyone. Cultural contamination from a liberal zone to a conservative zone will however not be accepted so there must be separate broadcasting networks, news reporting, commercials, entertainment for the two separate societies.

3.100 Solutions for South Africa, Israel and the US

Is ethnocentrism and the defence of your culture an evil concept by default or can it prevent persecution and a gradual cultural and demographical genocide?

I hesitated for several years to write about the South African genocide due to the fear of being labelled as a racist. However, as I became increasingly ideological confident I have grown immune to the cultural Marxist labelling techniques. The Boers and Afrikaners have played an instrumental role in the development of South Africa the last centuries, and for these and other reasons they deserve a safe future for their children in South Africa, and not genocide.

As for the situation in the US, I created several essays about this topic (US cultural Marxism and future solutions for our American brothers). However, I chose not to include it as I believe the American and European struggle should be kept strictly separate for strategic reasons and should therefore not be intertwined. There are simply too many differences. In fact, the Indian struggle and the struggle of Christian minorities in the Middle East are more identical to the European struggle than that of the US due to the "indigenous factor". This does not in any way mean that I do not support our European American brothers and sister, it simply means that I believe that our two ideological platforms, in which we will build our resistance movements, must be kept separated. The exception is however South Africa, since the Boers and Afrikaners are at a huge disadvantage and will be demographically annihilated within just a few decades unless they receive our support.

It's difficult to completely avoid the issues relating to ethnocentrism in today's cultural war whether we would like to or not.

In these illustrations I will cover some aspects of ethnocentrism, cultural defence, defence against Jihad, security fences and its relevance to the current situation in South Africa, the US, Israel and elsewhere.

I would first like to say that I view the propagation and justification of supremacist ethnocentrism as an evil that must and should never be the ultimate long term goal. However, we cannot ignore logic and pragmatism especially when the lack of methods/doctrines involving ethnocentricity and "separation" leads to even bigger evils such as systematic rape, mass killings and even indirect cultural and demographic genocide. We must therefore keep an open mind when we evaluate these issues and we cannot allow political correctness to paralyze the debate. Because by allowing political correctness to paralyze and silence the individuals who brings these difficult issues up will in fact further contribute to the magnitude of these ongoing atrocities and genocides.

1. The European Afrikaner/Boer genocide in South Africa
2. The Israeli security fence and other security barriers
3. The demographical annihilation of the European population in the US due to Asian, Mexican and African mass immigration

1. The European Afrikaner/Boer genocide in South Africa

The systematic genocide of Europeans in South Africa is usually referred to as the Afrikaner genocide.

WHAT IS GENOCIDE? The term "genocide" was coined by legal scholar Raphael Lemkin in 1943, writing:

"Generally speaking, genocide does not necessarily mean the immediate destruction of a nation, except when accomplished by mass killings of all members of a nation."

It is intended rather to signify a coordinated plan of different actions aiming at the destruction of essential foundations of the life of national groups, with the aim of annihilating the groups themselves.

The objectives of such a plan would be the disintegration of the political and social institutions, of culture, language, national feelings, religion, and the economic existence of national groups, and the destruction of personal security, liberty, health, dignity and lives of the members of such groups

The following sources document that there are more than 3050 documented murders of European Afrikaners in South Africa. This indicates that the official/undocumented figure is significantly higher probably above 10 000 since Nelson Mandelas ANC seized power a couple of decades ago. Furthermore; 'hundreds of young black males torture to death about 100 white farmers a year in South Africa.

White farm families and smallholders on the South African 'platteland' have been terrorised for years by violent attacks. Farmers union Agri=SA, which represents about 90 percent of the 45,000 commercial white farmers, estimates an average of 750 to 800 farm attacks a year during which about 100 people are murdered.

"Some Afrikaner groups refer to this as a 'white genocide' but Agri-SA does not want to go that far, claiming instead that farmers and smallholders are 'soft targets,' writes Trouw, quoting André Botha, who heads the organisation's security department, as repeating the same old ANC-saw, namely that: "Farmers live in remote areas and usually have guns, money and cars. Attackers know that it takes a long time on these rural farms before police arrives after an emergency call."

Trouw quotes the University of Pretoria's 2008 investigation of 37 convicted farm-murderers, noting that on average, each one of them had carried out an average of 105 violent crimes before they were even caught. And police statistics overall show that from all the reported crimes, only 12 percent ever end up in a conviction.

How many European Afrikaner/Boer women are raped annually is unknown. It's most likely totalling more than 10 000 rapes per year.

As a result of these anti-European atrocities an increasing number of European Afrikaner/Boers are simply giving up and seeking asylum and refuge in Europe, Canada, Australia and the US.

Many people will claim that the apartheid policies were in place to prevent such atrocities and the ongoing genocide. The same people will also say that now when the apartheid policies have been abolished it has developed an atmosphere where it is literally a free for all murder and rape fest. If you want to join this rape and kill fest, you better hurry up; because soon, there won't be any Europeans left to rape and kill. Here is a demographical overview indicating South Africa's direction:

Demographical development in South Africa

Year	Euro - Afrikaner/Boer	Africans (S. Afr + immi)
1985	6 million	22 million
2000	5 million	33 million
2010	4 million	44 million
2020	3 million	55 million
2030	2 million	66 million
2040	1 million	77 million
2050	>200 000	88 million

We can see the similar pattern of indirect ethnic cleansing in Zimbabwe/Rhodesia

Demographical development in Zimbabwe/Rhodesia[2]:

Year	European - Afrikaner	Africans
1975	300 000	N/A
1999	120 000	N/A
2002	50 000	N/A
2010	30 000	12,5 million

A majority fled from persecution to the UK, South Africa, Botswana, Zambia, Canada, Australia and New Zealand.

By the year 2050 the genocide of European Afrikaner/Boers will be almost complete and South Africa will at this point most likely resemble the average of African Nations, plagued by corruption, civil war and endless poverty and hopelessness.

The current 4-million combined Afrikaner/Boer and other 'white' minorities pay 40% of all the country's rates and taxes but make out only 8% of the country's population. What do you think will happen to South Africa when all the Afrikaners/Boers have been killed or fled the country? South Africa will end up as all other African nations.

Jesus Mandela Christ – liberator or annihilator of South Africa?

The South African history we learn in our schools and from the media is nothing more than propaganda and lies. We learn that Nelson Mandela was arrested for criticising the apartheid regime.

What we don't learn is that Mandela used to be a terrorist leader and gave personal orders to execute a bombing attack against the old apartheid regime. This is the reason why he was arrested in the first place.

Nelson Mandela's Guerrilla activities

In 1961, Mandela became the leader of the ANC's armed wing, Umkhonto we Sizwe (translated as Spear of the Nation, also abbreviated as MK), which he co-founded. He coordinated a sabotage campaign against military and government targets, and made plans for a possible guerrilla war if sabotage failed to end apartheid. A few decades later, MK did wage a guerrilla war against the regime, especially during the 1980s, in which many civilians were killed. Mandela also raised funds for MK abroad, and arranged for paramilitary training, visiting various African governments.

Currently, South Africa is rapidly turning into an ungovernable anarchy due to cultural Marxist ANC rule. According to verifiable sources [1] more than 3085 European-Africans or so called Afrikaners/Boers have been killed since the ANC seized power in what is developing into a genocide of Europeans. 3085 confirmed murders means that the unofficial number is likely around 10 000 murdered Europeans in Africa. Reports also indicate that European-African women are being raped and persecuted in other ways.

The black Africans have since the ANC resumed power doubled their population from 22 to 44 million (through liberal immigration and higher birth rates) while the European

Africans have experienced horrendous atrocities resulting in the ongoing mass exodus we see today. All this because Nelson Mandela and the cultural Marxist regime of the ANC.

At least humanists and Marxist in Europe can sleep well at night knowing that apartheid is gone. Because after all, it's better that every South African suffers and loses hope in the future than keeping in place discriminating policies right?

I consider both the former apartheid policies and the current situation as intolerable scenarios. However, considering the fact that I am a creature of logic and pragmatism the lesser evil is always the best alternative which is why we know should be done. The apartheid system was put in place to regulate the multicultural society and manifested itself through what would resemble the salad bowl that is Los Angeles with segregated communities. The difference is that the Europeans treated the Africans as second class citizens. Instead of attempting to co-exist within the borders of the same nation they should have just divided the country in half to begin with. The apartheid system was a racist multicultural system and should not be copied. Instead a policy of "Balkanisation" must be sought where the country is divided in two or more parts and given their own sovereignty.

Splitting the country in two does not in any way constitute apartheid (the ideology) but rather the creation of two sovereign nations. If this is not done as soon as possible the alternative will result in the finalisation of the European cultural and demographical genocide. As such, it is our moral duty to implement such policies; for the simple fact that it would be immoral not to.

This is an incredibly difficult choice as it goes against everything we have been taught under the European multicultural systems. However, we can't ignore logic. Offending people is in a whole different league than indirectly allowing genocide. It is a lesser evil to be contributing to separation than it is to facilitate and contribute to large scale murders, systematical rapes and even genocide. When you are faced with two "evil" outcomes it is our duty to choose, support and implement the lesser of those two evils.

Solutions for South Africa

Divide the country in to two sovereign nations; one European nation and one African. This should be facilitated by the future European Federation as the current Boer/Afrikaner people are in no shape to administrate or ensure that this split is effectuated properly. The split should be based on historical significance of factors relating to development of the nation and should therefore be no less than 40% (Afrikaner/Boer/European)/60% African. The racist apartheid ideology should never be used again. Instead, the Afrikaner/Boer can (if they need the extra labour) issue 6 or 12 months work permits for specific sectors following the model illustrated in another chapter of this compendium. A security fence should separate the newly founded nations to prevent illegal immigration and potential attacks.

A future European Federation must play an instrumental part in creation of these two nations.

See other documentation and sources here:

<http://afrikaner-genocide-achives.blogspot.com/>

Picture albums of murdered Afrikaners and Boers (2008-2010):

<http://www.facebook.com/album.php?aid=2040597&id=1026941238&saved#/album.php?aid=2040597&id=1026941238>

Initials from A to B: [http://cid-](http://cid-b6b44a5376348175.skydrive.live.com/browse.aspx/Kill%20the%20Boer%20Kill%20the%20Farmer%202009%20victims%20A%20-%20B)

[b6b44a5376348175.skydrive.live.com/browse.aspx/Kill%20the%20Boer%20Kill%20the%20Farmer%202009%20victims%20A%20-%20B](http://cid-b6b44a5376348175.skydrive.live.com/browse.aspx/Kill%20the%20Boer%20Kill%20the%20Farmer%202009%20victims%20A%20-%20B)

B to J: [http://cid-](http://cid-b6b44a5376348175.skydrive.live.com/browse.aspx/Kill%20the%20Boer%20Kill%20the%20Farmer%202008%20victims%20A%20-%20J)

[b6b44a5376348175.skydrive.live.com/browse.aspx/Kill%20the%20Boer%20Kill%20the%20Farmer%202008%20victims%20A%20-%20J](http://cid-b6b44a5376348175.skydrive.live.com/browse.aspx/Kill%20the%20Boer%20Kill%20the%20Farmer%202008%20victims%20A%20-%20J)

C to F [http://cid-](http://cid-b6b44a5376348175.skydrive.live.com/browse.aspx/Kill%20the%20Boer%20Kill%20the%20Farmer%202009%20victims%20C%20-%20F)

[b6b44a5376348175.skydrive.live.com/browse.aspx/Kill%20the%20Boer%20Kill%20the%20Farmer%202009%20victims%20C%20-%20F](http://cid-b6b44a5376348175.skydrive.live.com/browse.aspx/Kill%20the%20Boer%20Kill%20the%20Farmer%202009%20victims%20C%20-%20F)

G to J: [http://cid-](http://cid-b6b44a5376348175.skydrive.live.com/brwse.aspx/Kill%20the%20Boer%20Kill%20the%20Farmer%202009%20victims%20G%20-%20J)

[b6b44a5376348175.skydrive.live.com/brwse.aspx/Kill%20the%20Boer%20Kill%20the%20Farmer%202009%20victims%20G%20-%20J](http://cid-b6b44a5376348175.skydrive.live.com/brwse.aspx/Kill%20the%20Boer%20Kill%20the%20Farmer%202009%20victims%20G%20-%20J)

K to S: [http://cid-](http://cid-b6b44a5376348175.skydrive.live.com/browse.aspx/Kill%20the%20Boer%20kill%20the%20Farmer%202009%20victims%20K%20-%20S)

[b6b44a5376348175.skydrive.live.com/browse.aspx/Kill%20the%20Boer%20kill%20the%20Farmer%202009%20victims%20K%20-%20S](http://cid-b6b44a5376348175.skydrive.live.com/browse.aspx/Kill%20the%20Boer%20kill%20the%20Farmer%202009%20victims%20K%20-%20S)

N to O: [http://cid-](http://cid-b6b44a5376348175.skydrive.live.com/browse.aspx/Kill%20the%20Boer%20kill%20the%20Farmer%202009%20victims%20N%20-%20O)

[b6b44a5376348175.skydrive.live.com/browse.aspx/Kill%20the%20Boer%20kill%20the%20Farmer%202009%20victims%20N%20-%20O](http://cid-b6b44a5376348175.skydrive.live.com/browse.aspx/Kill%20the%20Boer%20kill%20the%20Farmer%202009%20victims%20N%20-%20O)

P to R: [http://cid-](http://cid-b6b44a5376348175.skydrive.live.com/browse.aspx/Kill%20the%20Boer%20kill%20the%20farmer%202009%20victims%20P%20-%20R)

[b6b44a5376348175.skydrive.live.com/browse.aspx/Kill%20the%20Boer%20kill%20the%20farmer%202009%20victims%20P%20-%20R](http://cid-b6b44a5376348175.skydrive.live.com/browse.aspx/Kill%20the%20Boer%20kill%20the%20farmer%202009%20victims%20P%20-%20R)

Q to Z -1 [http://cid-](http://cid-b6b44a5376348175.skydrive.live.com/browse.aspx/Kill%20the%20Boer%20Kill%20the%20Farmer%202009%20victims%20Q%20-%20Z)

[b6b44a5376348175.skydrive.live.com/browse.aspx/Kill%20the%20Boer%20Kill%20the%20Farmer%202009%20victims%20Q%20-%20Z](http://cid-b6b44a5376348175.skydrive.live.com/browse.aspx/Kill%20the%20Boer%20Kill%20the%20Farmer%202009%20victims%20Q%20-%20Z)

Q to Z -2 [http://cid-](http://cid-b6b44a5376348175.skydrive.live.com/browse.aspx/Kill%20the%20Boer%20kill%20the%20Farmer%202009%20victims%20S%20-%20Z)

[b6b44a5376348175.skydrive.live.com/browse.aspx/Kill%20the%20Boer%20kill%20the%20Farmer%202009%20victims%20S%20-%20Z](http://cid-b6b44a5376348175.skydrive.live.com/browse.aspx/Kill%20the%20Boer%20kill%20the%20Farmer%202009%20victims%20S%20-%20Z)

Source:

1. <http://sarahmaidofalbion.blogspot.com/>

2. <http://en.wikipedia.org/wiki/Zimbabwe>

Quarterly Digest Of Statistics, Zimbabwe Printing and Stationery Office, 1999.

Other sources:

<http://en.wikipedia.org/wiki/Apartheid>

2. The Israeli security fence and other security barriers

While most people refer to Israel's security fence as a "wall", the fact remains that less than 5 percent of the barrier is actually concrete slab. The rest is a network of fence and sensors. The fence has cut terrorism incidents by more than 90% since its completion.

What was the reason for establishing the Security Fence Area?

The Security Fence is being built with the sole purpose of saving the lives of the Israeli citizens who continue to be targeted by the terrorist campaign that began in 2000. The fact that over 800 men, women and children have been killed in horrific suicide bombings and other terror attacks clearly justifies the attempt to place a physical barrier in the path of terrorists. It should be noted that terrorism has been defined throughout the international community as a crime against humanity. As such, the State of Israel not only has the right but also the obligation to do everything in its power to lessen the impact and scope of terrorism on the citizens of Israel. As such, the creation of the Security Fence was created in accordance with security and humanitarian concerns. Israel has not just a right but a duty to defend its citizens.

Is the fence effective?

Between Israel and the areas controlled by the Palestinian Authority there is no natural or man made barrier. This enables the almost unhindered entry of Palestinian terrorists into Israel. During the last three years, 117 Palestinian terrorists took advantage of it, entered into Israel and in the act of blowing themselves up murdered 477 people - Jews, Arabs and Christians and wounded thousands others. In contrast, the security fence between Israel and the Gaza Strip that has existed since 1996 has proven its effectiveness and the vast majority of terrorist attempts have been discovered and thwarted.

The first stage of the Security Fence (from Salem to Elkana) which has been operational since July 2003, is already proving itself as an effective defensive deterrent which prevents the repeated attempts to enter Israel and carry out terror attacks.

Members of Palestinian terror infrastructure caught and questioned disclosed the fact that the existence of the Security Fence in the Samaria area forces them to find of other means to perform terror attacks since their previous entry to Israel is blocked.

Conclusion:

The physical separation (apartheid) of the Israelis and the Muslims works as intended. The Islamic terrorist attacks have been reduced by 90% since the creation of the physical barrier.

The Indian security fence[1]

The concept of building security fences between groups of people is not limited to Israel. In 1989, the Indian government, frustrated at the continued infiltration of terrorists from Pakistan, constructed a security barrier along the frontier in the states of Punjab and Rajasthan. The barrier worked and infiltration subsided. Five years later, India sought to extend the barrier 620 miles through Jammu and Kashmir. The Pakistani government's reaction to India's barrier-building was harsh. Islamabad accused India of violating both

the U.N. charter and the two countries' cease fire agreement. In July 2003, Pakistani military spokesman, Shaukat Sultan, made several threats.

But the Indian government ignored these threats, citing its right to defend itself against terrorism. After all, since 1989 more than 40,000 people have perished in Jammu and Kashmir in terrorism and insurgency-related violence. And, just as Israel has found its barrier to be a successful deterrent, so, too, has India. According to the chief-of-staff of the Indian army, Nirmal Chand Vij, the number of terrorists inside Jammu and Kashmir plummeted almost 50 percent in the year after the barrier's construction. The fence stopped almost 90 percent of infiltration attempts. India's vote against Israel's West Bank barrier may have undermined its own position, a fact that was not lost on at least one Pakistani senator. In a July debate in the Pakistani senate, Ishaq Dar suggested that Islamabad parlay the ICJ ruling into a move to condemn India's fence construction along its line-of-control.

Conclusion:

The physical separation (apartheid) of the Indians and the Pakistani Muslims works as intended. The Islamic terrorist attacks have been reduced significantly since the creation of this physical barrier.

The Saudi security fence[1]

The kingdom of Saudi Arabia, one of Israel's most vociferous critics in the Middle East and a staunch financial supporter of groups such as Hamas, has also constructed a border fence on disputed land. Saudi Arabia and Yemen have disputed their border for more than seventy years. Both countries dispute the demarcation laid out in the 1934 Taif treaty, and today, almost 1,000 miles of desert and mountains remain undefined. While both countries may initially have been content to live with the status quo, that changed with the 1990 discovery of oil in the disputed zone. The Saudi government moved to build a "military city" near the disputed border. Violence occasionally flared. In November 1997, for example, after a Yemeni soldier lowered a Saudi flag in the disputed area of Qarqa'i, several Saudi and Yemeni soldiers died in an exchange of fire. Another bloody clash took place in January 2000 when Saudi troops occupied Jabal Jahfan, a mountain long controlled by Yemen. A June 2000 attempt to resolve the dispute failed. While both Saudi and Yemeni leaders signed the resulting Jeddah treaty, the text left unresolved large tracts of the border.

Violence erupted in 2002. In the Saudi border town of Jizan, Saudi border guards confronted Islamists smuggling weapons from Yemen. Thirty-six Saudi soldiers died in the ensuing fire fight. Following additional violence along the border, the kingdom decided unilaterally to build a security barrier along their border with Yemen. Saudi officials claimed that this barrier would stem the weapons flow and almost daily attempts at infiltration by Islamist insurgents from Yemen. Talal Anqawi, the head of Saudi Arabia's border guards, dismissed any parallels to Israel's security barrier, telling the Arabic daily Asharq al-Awsat,

"What is being constructed inside our borders with Yemen is a sort of a screen ... which aims to prevent infiltration and smuggling ... it does not resemble a wall in any way."

If Anqawi sought to create a litmus test for the permissibility of barriers, he failed. While the ICJ referred to Israel's security fence as a "wall" throughout its decision, less than 5 percent of the barrier is actually concrete slab. The rest is a network of fence and

sensors. While the Saudi government presses the U.N. to sanction Israel to force compliance with the ICJ decision, the kingdom, through its own actions and statements, has actually created a precedent for Israel. Saudi statements labeling Israel's security barrier an "internationally wrongful act" and demanding its "destruction," illustrate the hypocrisy of both the Saudi and ICJ positions.

Note: Also see apartheid/security fences and population exchanges in Turkey (between Turkey and Syria), Cyprus (between Muslims and Christians), Morocco (between Morocco and Western Sahara) and in Northern Ireland[1].

Good Fences Make Good Neighbours

Israel's fence exists to prevent deadly attacks on Israeli citizens. The Belfast peace lines exist to prevent large-scale intercommunal disorders ... but a barrier is a barrier, whatever its name ... their [British and Israeli] policies towards the nationalist areas of Belfast and the Palestinian areas of the Holy Land have one thing in common ... to provide security."

When the ICJ ruled on July 9 that Israel's security barrier was illegal, it based its decisions exclusively on interpretation of international humanitarian law. Fourteen of the fifteen judges ruled that Israel should raze its barrier. The one dissenting justice, Thomas Buergenthal, was American. He argued that the court failed to consider all relevant facts. He wrote, "The nature of these cross-Green Line attacks and their impact on Israel and its population are never really seriously examined by the court." While the ICJ claimed that Israel could not invoke "the right of legitimate or inherent self-defence," Buergenthal disagreed. After all, in resolutions 1368 and 1373, the U.N. Security Council reaffirmed the right to combat terrorism without limitation to "state actors only."

And there is little doubt that the security barriers work. Suicide attacks in Israel declined 75 percent in the first six months of 2004 compared to an equivalent period in 2003. The Israeli government is not alone in this conclusion. Many of the most vocal critics of Israel's security barrier have employed the same defence. Their immunity from ICJ and U.N. criticism illustrates both the politicisation of the International Court of Justice and the inherent bias of the United Nations. U.N. secretary general Kofi Annan's criticism of Israel's security barrier, especially when juxtaposed with his silence regarding the region's other security barriers, illustrates the double standard.

Perhaps the greatest tragedy of the ICJ decision, however, is that it creates a precedent that allows terrorism to trump security. Israel will not be the only victim. The Turkish government, which vociferously condemned Israel, unwittingly undermined its own security with regard to Syria. Some Pakistani politicians already seek to use the ICJ's decision on Israel to undermine India's self-defence. While separate peace processes proceed in Cyprus, Western Sahara, and Northern Ireland, it was the dampening of terrorism made possible by the security barriers that allowed the space for diplomats to resume negotiations. On a number of levels, the ICJ decision was a ruling against peace and security, not only in Israel but also across the region and elsewhere.

Sources:

1. <http://www.meforum.org/652/is-israels-security-barrier-unique>

3. The demographical annihilation of the European population in the US due to Asian, Mexican and African mass immigration (ROUGH DRAFT)

In the early 1980s the US was considered a Christian and European nation. In fact, it was considered the most powerful European nation. Today, the US is in a rapid state of disintegration fuelled by mass immigration and the doctrines of multiculturalism/cultural relativism.

So what happened exactly and when did it happen?

The story is quite similar to Europe. The Marxists, through applying the doctrines of the Frankfurt school, disguised their ideology and were perceived as "cultural Marxists", humanists and liberals. Just like in Europe, they gradually contributed to transform to the cultural Marxist/multiculturalist bastion it is today. Most of the methods used are covered already but I will include a few factors not yet mentioned.

The day when the Democrats and Republicans decided that America should no longer be a Christian and a European country

"Happy holidays" and "season greetings" you say? What happened to "Merry Christmas"?

Traditionally, the only holidays included in the "season" were Christmas Eve, Christmas Day, Boxing Day (in some countries), New Year's Eve, New Year's Day and Three Kings Day. But apparently the US political parties have expanded this term quite recently. Did they ask the American people if they wanted this or did they implement this in an undemocratic manner?

Now, thanksgiving, Christmas, Yule, Channukah, Boxing Day, Kwanzaa, and occasionally Ramadan or the Eid depending on the Islamic calendar, to name a few are considered equal to Christmas in the US. Because, suddenly the US didn't have a state religion. You see, the Democrats and Republicans decided on behalf of all US citizens that the US should no longer a European and Christian country. Instead, they decided, through a multitude of undemocratically implemented bills, that they should create a non-European multicultural nation without a united cultural identity. The people were never allowed to have their say.

Demographical development of the US – Europeans vs. non Europeans

This article is not yet complete.

Under construction – not edited

3.101 The cultural Marxist war against God and the Church in Western Europe leads to spiritually bankrupt countries lacking civilizational goals (UNDER CONSTRUCTION AND NOT EDITED, feel free to complete this essay)

The greatest achievement in humanity was the moon landing, achieved by our European-American brethren. Since then, cultural Marxism has risen, infiltrated and ravaged both Western Europe and the US. The mass-democracy model of Western Europe has become the norm in the Western world, which has cultivated the principle of mediocrity instead of continuing to pursue excellence.

Marxism is somewhat as crippling as Islam on a civilization so I do not expect we will see a change in direction until we, the conservative visionaries, have seized military and political control. Spiritually bankrupt nations without civilizational visions are nothing more than devastated wastelands of meaningless noise and excessive consumerism, which alone, has no way of satisfying the individuals longing for something greater than the feeding of his or her ego. The cultural Marxist elites of Western Europe will never admit to these facts and they will say that they are in fact allowing Church communities to operate freely. But what kind of Church survived decades of Marxist assault? Firstly, the forced ordination of female priests ravaged the very fundament of the Church, which planted enough Trojans for the European Church to be ridden by internal reforms leading to the Church we see today. The European Labour Church is now completely stripped of any and all influence and has been molded to suit the Marxist agenda. Especially the Protestant Church has been molded into becoming its very own cyanide pill.

The first assault was reforms which involved the forceful ordination of women as priests and bishops. As we all know, women's emotionally unstable nature quickly lead to the propagation of gay marriage, the ordination of gay priests, ignoring chastity, ignoring peoples duties in relation to procreation, the support for mass-Muslim immigration and even the inter-religious dialogue with the Muslim community. This dialogue is in fact no more than a formal discussion for the terms of total surrender. The divine architecture, richly decorated with sculptures of our most famous and beloved champions and martyrs of the church (who fought past Crusades against Jihadi invasions) has been replaced with the Marxist style red-bricked bunker style churches, which has as much appeal as a public toilet. The divine interior of our beloved churches has been stripped of everything dignifying and replaced with empty concrete walls with perhaps one single abstract mosaic of something that may or may not resemble a cross.

Celebration of Christmas and Easter is now considered offensive to Muslims so it is now inappropriate to actually say; Merry Christmas. Instead we must say; Happy holidays...

And people still doesn't get it? It can't be said clearer than this; the Western European cultural Marxist regimes want you to abandon God and the Church. Perhaps you should take the hint already. Because as soon as you acknowledge that there is a very real war being waged by the Marxists through their deliberate objective of completely deconstruction the European Church, the sooner you can rush to its defense.

Currently, we are embroiled in a bitter spiritual war that will inevitably lead to a physical one.

Such vitriol always ends up leading to violence, whether it is a genocidal slaughter, or a civil war – the spiritual war transcends to the physical plane, and God's people are once again embroiled in a bloody battle.

Western Europe – a third world region when it comes to spirituality and civilizational goals

The spiritually bankrupt Western European nations result in psychologically unstable individuals, many which are stripped of moral and decency. This, almost anarchist behavior, often leads to “excessive whoring around” and results in a large range of negative effects for the individual and for society; venereal diseases, sterility, astronomical costs to society, drug abuse, high suicide rates. These plagues, which in part is a direct result of the Marxists successful deconstruction of the Church and its authority costs the Western European countries two to three times as much as our military budgets – possibly significantly more.

And how many millions are either dead or have become zombies (drug addicts) as a result of the Marxist war against God and the Church? Some would say thousands, but I would claim that it is millions. An extreme Marxist or egalitarian society has a tendency to treat individuals as clients (a process known as clientification) instead of producing independent “winners”. This is apparent in especially Western Europe but not so much so in the US.

The book “Prozak Nation” illustrates quite well that the cultural Marxist model is failing miserably and is leading to millions of people with psychological problems and tens of thousands of suicides. Instead of propagating clear goals for our civilization with specific obligations to the citizen there is no official recommended course of action for our existence. This clear civilizational vision must be re-established as an alternative to meaningless and limitless consumerism which has no other purpose for individuals than feeding their own ego. Excessive consumerism, drug abuse and sex abuse can never satisfy the peoples longing for believing in something greater than simply living to feed their own ego. Whether this vacuum is filled by nationalist principles; pride in your nation and people – a common enemy: the Ummah, or through the Church, the solutions lie within conservative principles and values. We must re-affirm our intentions of commitment against global Jihad, until our own and our allies borders are secured. The only pragmatical approach to this is mass-deportations because the only other alternative is genocide.

Europe is now a third world country in regards to spirituality and civilizational goals. We need to bring back a crystal clear vision and goal for our existence whether it is a formal embracing of research and development, nationalist principles or the former intertwined with spirituality under a permanent Christian cultural framework.

And I looked, and behold a pale horse: and his name that sat on him was death, and Hell followed with him.

Revelations 6:8

The cultural Marxist bourgeois experiment will end as catastrophically as Stalin’s social experiments. The difference is that this time, we will not only be bankrupt and suffer 50 million casualties. This time we have the added risk of being enslaved under a brutal and retarding Sharia reign.

3.102 USA – a dying European Empire: lack of monoculturalism/ethnocentrism results in a breakdown of social cohesion – the objectives of the Conservative Revolutionary Movements (UNDER CONSTRUCTION AND NOT EDITED, feel free to complete this essay)

We are all familiar with the Marxist utopian dream. They want to create a utopia where everyone lives peacefully together in despite of ethnic, ideological, religious and cultural factors. Unfortunately, this has already been tried, through Stalin's forced deportation and "integration programs" resulting in tens of millions of casualties. He did everything he could to create the "universal egalitarian Soviet citizen". They failed because one can never succeed in a war against nature itself. Today's Western bourgeois multiculturalists will fail again with equally disastrous results; unless stopped, these individuals will transform functional homogenous and harmonious European countries into failed states with eternal ethnic, religious and ideological conflict, similar to Afghanistan and the Balkans of today. In fact, you can actually measure the retardation level of each failed state through reviewing the number of "competing cultures" in each one. Judging from the multiculturalist argument; "the more diversity the more prosperity", Afghanistan (with its 100 different ethnic groups) should be ranked as the most diverse and thus most successful country in the world. But despite of Marxist theory, the opposite always ends up as being the reality. Afghanistan is a hell on earth. Historical examples show us that incompatible cultures do not mix.

The fall of the USA will occur by 2030 – the US is dying and will never recover, unless...

The European "new world" referred to as the USA, today, initially succeeded because European Christian cultures are compatible due to their shared history, values, principles and heritage.

To assume that millions and Asian and African immigrants, in addition to existing non-European minorities, can be assimilated with this homogenous European Christian culture is a mistake of civilizational proportions and attempting such should be categorized as a genocidal war crime. As the Asian/African immigration to the US accelerates, the level of social cohesion rapidly declines and deteriorates, which will eventually cause the economical system to crash, never to recover to its former highs. The only thing that can solve problems of this magnitude is a coup d'état initiated by conservatives. A swift coup d'état is after all preferable to a long term civil war. Regardless of the method, the outcome will be a re-establishment/re-formation of the European Christian country that is the US.

The fall, or more specifically the partition, of the US is imminent and will occur within 2025 at the earliest. The primary reason for this implosion is that the US won the economical cold war but lost the cultural cold war due to weak leadership. McCarthy was a strong, conservative leader, but he wasn't strict enough. He should have deported all cultural Marxists to the Soviet Union, but this would be very difficult due to the fundamental structural flaws of the senate and the congress.

There are 3 primary reasons for the imminent fall of the US:

1. Fatally declining social cohesion due to multiculturalism/deconstruction of Christianity and everything European including traditions, identity etc.
2. Allowing China and other Asian countries to join the WTO – outsourcing of jobs to non-European countries
3. Peak-oil

Had the Democrat Harry S. Truman initiated mass-executions of 100 000 Marxist Americans in 1945 (alternatively deported them to the Soviet Union) and at the same time reduced women's influence in political matters concerning culture and security, there would never have been a silent 68 cultural Marxist revolution. In addition, he should have relocated all of the African Americans and other non-European citizens to select states and given them complete autonomy. As we know, due to the weak and incompetent leadership of post WW2 administrations - US universities, public institutions, the Democratic Party and even the Republican Party was infiltrated by cultural Marxists which lead to the cultural Marxist revolution of 68.

Unchecked Asian and African legal and illegal immigration

According to the cover story in the Sep. 19, 2004 issue of Time magazine, 3 million illegal's entered the US in 2003 alone! And many of them quickly obtain phony ID to obtain a wealth of services compliments of US taxpayers: subsidized housing, welfare, social security, etc.

Exacerbating the problem, illegal's' birth rate is more than double the US average, with each offspring, from birth, eligible for the myriad of government programs available to full citizens. A new study by the Center for Immigration Studies found that illegal's cost the taxpayer \$10 billion dollars more than they contribute, each year.

In practice, "affirmative action" is often reverse discrimination. For example, at the University of California Berkeley, the average SAT score for European-Americans is 1400, for African Americans just 1170. And you get 400 points just for signing your name! The examples are endless; Nine UCLA medical school professors urged that an African-American medical student be expelled for poor performance. But the student filed racial discrimination claims and to avoid a long, expensive lawsuit and race-card media campaign, the medical school allowed the student to return.

Laissez faire capitalism or segregation through deportation

The European American middle class is being systematically wiped out of existence by the governments support to Marxist procreation policies resulting in fertility rates of less than 1,5. In addition; the new "global economy" means that middle class European American workers have to directly compete for jobs with people on the other side of the world where there is no minimum wage and practically no regulations. The only solution is to re-establish a monetary market reserved for European countries. However, the mass-outsourcing to Asia is only one of two primary problems. Protectionism alone will not save the US but will only result in a delay of the impending implosion.

I never thought I would actually argue against capitalism but the US model is an extreme variant, almost resembling a pure laissez faire model. 83 percent of all U.S. stocks are now in the hands of 1 percent of the people. 66 percent of the income growth between 2001 and 2007 went to the top 1% of all Americans. The top 10 percent of Americans now earn around 50 percent of the national income etc.

While capitalistic principles should be protected, it should be somewhat regulated so that it benefits other members of the tribe (Scandinavian light model). However, for this to work there must be an exceptional social cohesion, something that is not the case as long as the US embraces multiculturalism. I completely understand that group of tribes (the European Americans) would refuse to subsidize other non-European tribes – Asian or African. Europeans, Asians and Africans simply do not have enough factors in common which would be required to establish European style welfare principles. It is likely that it

would even be problematic to attempt this model in a pool consisting of Latin European Americans and Nordic European Americans as well, as the cultural difference for these specific groups are significant.

To illustrate this further:

The International Monetary Fund ranking of the countries with highest BNP shows that the top 10 list is dominated by countries with an exceptional degree of social cohesion. This is usually only possible in countries with a small population.

1. Luxembourg
2. Qatar (oil)
3. Norway
4. Singapore
5. Brunei (oil)
6. United States
7. Hong Kong
8. Switzerland
9. Netherlands
10. Ireland
11. Australia
12. Austria
13. Canada
14. Iceland
15. Kuwait (oil)
16. UAE (oil)
17. Sweden
18. Denmark
19. Belgium
20. UK
21. Germany
22. Finland
23. France
24. Japan
25. Taiwan
26. Greece
27. Spain
28. Italy
29. Israel
30. Cyprus
31. South Korea
32. Slovenia
33. Bahrain
34. New Zealand

The list shows very clearly that the dominating nations are countries with an ethnical homogenous people (high social cohesion) which are usually the countries with a relatively low population.

Good fences make good neighbors,

As I have stated on several occasions, the currently most functional countries in the world are Japan and South Korea. They have managed to preserve all the positive aspects of European culture and tradition, methods and processes they imported and embraced after WW2 and the Korea War. They believe in cultural monoculturalism mixed with a free market democracy. And here lies the truth about European Revolutionary Conservatives as well. We believe in cultural monoculturalism and to a large degree ethnocentrism because we know that is the only proven way of preserving social cohesion levels is required to facilitate a welfare state. Without social cohesion, no welfare state. We believe that good borders makes good neighbours. We believe in democracy, but we believe that the fundamental requirement for a democracy and a

welfare state requires social cohesion and a non-reformable cultural conservative framework. And as history and the above examples shows in a crystal clear manner; you cannot have social cohesion in a multicultural society. The US illustrates this quite well. The reason there is not a decent welfare system in the US is because of lack of social cohesion. The European Christian middle class will simply refuse to subsidize the welfare of Africans, Latinos and Asians.

The fact of the matter is that the US reached its civilizational climax during the moon landing in 1969 and has in fact seen a "civilisational" recession since that time synchronized with the African Civil rights movement and the Marxist 68 non-violent revolution. After the cultural Marxists (not economical Marxists, there's a big difference here) consolidated their powers and succeeded in implementing their agenda of converting the US from a European Christian country to a multiculturalist nation, a systematical decline and gradual cultural decomposition has been evident. And this will continue until the economy collapses which will trigger an American civil war, estimated to be initiated within 2030. This economical meltdown will make the current recession seem like a picnic. I anticipate that this will happen at earliest within 18 years (today is 2010, so 2028) and at latest within 65 years.

The US will and should be divided into at least two regions; a multiculturalist region (the Multiculturalist States of America – MSA) and a Christian, European American region – (the Confederate States of America – CSA). African Americans, non-European Latinos and other non-European minorities should be relocated from the CSA to the MSA. Conservative fractions of the minorities may be granted citizenship providing that this is the will of the new CSA regime. CSA will be closely allied with the conservative European regimes (which by now will count 1-5). It is hard to predict whether the first European country is liberated from cultural Marxism/multiculturalism before the US implodes and is partitioned into at least two regions. Both scenarios will happen though.

The US was considered to be a European country until the 80s and 90s and would continue to dominate this list if it put in efforts to remain that way. The US is now under Asian and African colonization which will eventually (within 2030) result in its own self induced implosion, unless the cultural conservative European Americans seizes military and political control and initiates the partitioning and the subsequent deportation/relocation of non-Europeans. It is unlikely that this scenario will happen the way I described it. Instead, I believe the current day US will be divided into 2-3 regions, whereas at least one will be reserved for European Americans while the other two will remain multicultural. However, I hope our European American allies manage to take control of the US as a whole. Because if they succeed, they will be able to set their own terms, which will benefit all European Americans.

3.103 The Fall of the EUSSR, the Rise of the new nationalist European World Order (UNDER CONSTRUCTION AND NOT EDITED, feel free to complete this essay)

What do we, the Conservatives of Western Europe, really want to achieve? What is our dream, our vision for the world? If we are to believe the multiculturalist propaganda they would make the masses believe that we are bloodthirsty, evil people, who want to take Hitler's insane plan to the next level; dropping nukes on all countries we deem inferior and effectively killing off 6 out of 7 billion people. They would like to portray an image of us as psychopathic murderers who seek the destruction of fairness and order which will result in the end to tolerance and peace.

The fundamental difference between conservatives and cultural Marxists are obviously our two very different world views. What they call "tolerance", is really genocide. What they call "peace", is really a smokescreen for tyranny. And what they call "human rights advocacy", is really nothing less than "a deliberate plan to deconstruct everything European and perhaps even manage to sell us into Muslim slavery in the same process".

In other words; if you embrace the cultural Marxist definition of these terms and similar terms, then you have already capitulated and lost.

We, the European Revolutionary Conservatives know very well that it will take many years, even decades before we successfully manage to consolidate to a degree where we can seize political and military power in the first Western European country. In the US, the Tea party movement is one of the first physical, political manifestations which indicate that there is a great storm coming. The creation of similar conservative organizations, even the creation of revolutionary conservative movements such as the Knights Templar is just another manifestation that real resistance to the EUSSR/US cultural Marxist/multiculturalist hegemony is about to materialize. The cultural Marxists are losing their momentum to our advantage.

The pioneers of the new world order

We are some of the founding fathers of the new world order. The conservative martyrs of today, both democratic and revolutionary, will be remembered and celebrated as the founding fathers when our cultural conservative world order has been established in the European world within 20-70 years.

The Nazi ghost, avoiding it or embracing it

Being a conservative ideological warrior in Western Europe or in the US involves great sacrifices, even if you staunchly propagate an anti-racist denomination of conservatism. No matter how much you denounce and condemn Nazism and racism, you will always be demonized as one by the cultural Marxist hegemony and its facilitators. I have to admit, this is the primary reason why I, personally, emphasize the demonization of Nazism and racism. Being a cultural conservative, opposing multiculturalism, I am demonized as a closet-Nazi and a closet-racist by default but my message isn't completely ignored (by national legislature, internet laws, Facebook laws and twitter laws) so I do manage to somewhat reach out to a tiny fraction of those I want to address. If I was to embrace any aspect of National Socialism or make any hint of racial prejudice I would however, be completely silenced, as Facebook and twitter would ban me and I would end up on every intelligence watch list.

Regardless of what we can allow ourselves to say, as conservatives, we cannot and should not pretend that all aspects of National Socialism are bad. As with any other ideology, there are always several aspects that represent solid and good principles. To be honest, there are several similarities to Japanese, South Korean, Taiwanese, Arab etc. current monocultural doctrines and norms that are quite similar to the NS policies of monoculturalism. As human beings and political activists, we are obliged to sincerely evaluate and re-evaluate all ideologies, National Socialism included. It is uncertain whether we can achieve ideological progress and success without defending principles embraced by the NS, such as monoculturalism. You cannot hope to implement a monocultural system model without a good portion of patriarchal oriented leadership. A patriarchal or at least a semi-patriarchal leadership structure is a requirement, at least in the cultural and security fields (includes immigration, schools, universities etc.) in order to implement monocultural doctrines.

Ethnocentrism and especially propagating a monoculture is and will always be the most essential building block of a successful nation long term. We know this because we have studied history. The Roman Empire and tens of other great empires imploded as a direct result of rapid expansion (invasions or mass-immigration) with subsequent lack of social cohesion. The processes which lead to the fall of these empires are more often than not triggered by "liberal leadership" trying to please everyone, as the current multiculturalist nations of Western Europe and the US represent today. There is no hope of preserving democracy when you deliberately deconstruct everything that fuels social cohesion, such as religion, culture, traditions and identity (including ethnic). There is no hope of preserving democracy without a unified demos.

This is why it's so easy to accurately predict the fall of the Western European and the US multiculturalist state within a pre-defined date. History always repeats itself. So to us, the conservative revolutionaries, the choice is simple. We must successfully seize political and military power in Western Europe within 70 years or all is lost. In this, we have no choice, as the implementation of the current Marxist doctrines (deconstruction of European culture – Christendom, traditions, our identity and nation states) is guaranteed to create our beloved fatherlands into failed states like Afghanistan, where the only prospect is eternal war and suffering.

The multiculturalist road to hell is paved in gold, very similar to Hitler's and Stalin's vision of the world.

Be proud of your ethnic group – be proud of belonging to the Nordic tribe

The current cultural Marxist world order led by Western European and US elites acknowledge and tolerate that most ethnic groups fight for their interest and are proud of their ethnic group. The Arab League, Kurdish Rights Movements, Rom (Gypsy) Rights Movements, Tibetan Rights Movements, Native American Rights Movements and Aboriginal Rights Movements, to name just a few are all interest groups based on race or ethnic affiliation. They are among those interest groups that propagate interests based on race/ethnic origin. They are all tolerated, encouraged and even often supported by the current US/EUSSR cultural Marxist hegemony. If I were to create a Nordic or an even broader European Indigenous Rights movements with the goal of propagating rights and interests for the indigenous Europeans we all know what would happen. It has been done before and the result of the former efforts (resulting in persecution from the establishment) just underlines the hateful and destructive agenda of multiculturalism. The evil nature of this hypocrisy is so deliberate and it clearly tells us that multiculturalism (cultural Marxism) is an anti-European hate ideology designed to deconstruct European culture, traditions, Christendom, ethnic groups and even nation states. We cannot defeat multiculturalism until we defeat Marxism as it is two sides of the same coin. Multiculturalism is Marxism, Marxism is multiculturalism. Do not have any doubt about this. A liberal right winger might claim that he is not a cultural Marxist but a globalist. He should however know that a globalist is the exact same thing as a cultural Marxist. Because there are only two cultural poles; if you are not cultural conservative then you are a cultural Marxist.

The genetical affiliation to your tribe is your most valuable commodity in this world, true or false?

We know that the cultural Marxist elites in Western Europe have created an adoption system which facilitates the adoption of Asians and Africans but makes the adoption of European babies more or less impossible. Not only are absolutely all European countries significantly influenced by Marxism (matriarchy leads to low birth rates, while Asia and Africa still has patriarchy leading to high birth rates) but it would seem like there is a

deliberate agenda of attempting to genetically dilute our tribe by systematic facilitation of adoption from Asia and Africa. After all, how are the cultural Marxists going to create a one world utopia unless they deliberately annihilate, through gradual dilution, the European tribes?

So why is tribalism and our ethnic heritage so important?

Despite what the Marxists would like to believe, our genetical heritage is the most important cultural marker as it is a visual proof that you represent a certain culture, certain traditions, a certain identity. How you look will in a blink of an eye tell people a thousand things about you, who your ancestors were, tells you a lot about your mentality, and your country or region's achievements the last few years. These thousands of pieces of information are forwarded by the blink of an eye to another individual. If you however do not have any genetical affiliation, people will only be left with a lot of questions. Where are you from, are you Muslim, are you a tourist, what culture do you represent, are you an integrated individual, are you an assimilated individual, are you the new imported servant class or are you adopted?

This is what most people ask themselves when they meet an individual. I would for example instantly know, from recognition, that another person is an undiluted Norwegian or not and most other people would as well.

Preferentialism based on looks and ethnic origin is the rule for 80-90% of Europeans

People who are familiar with "the game"; the socio-economic rat race where looks, culture and economy are the deciding factors know how the unwritten rules work. We say something, some politically correct BS like it's the inside that counts, or that all ethnic groups are equal, but we don't really mean it. The only reason we lie publicly and even to our friends is because our countries are ruled by a Marxist entity and we are not allowed to say the truth. Social-darwinism was the norm before the 1950s. Back then, it was allowed to say what we feel. Now, however, we have to disguise our preferences to avoid the horrible consequences of being labeled as a genetical preferentialist. Many people I know who support mass-Muslim immigration (by voting on political parties in support of multiculturalism) deliberately avoid living with Muslims, simply because they don't like them. But they still support mass-Muslim immigration. I like to confront these people with direct questions; Why do you support mass-Muslim immigration when you would never consider living with them, or at least living in the same neighborhood with them? Doesn't that make you a hypocrite?

The reaction is always the same; their face turns red, and they have no clue what to say. Totally busted. I then try to argue that they should vote for a political party which opposes multiculturalism if they, personally, are not interested in taking the responsibility for the effects of given ideology. Despite all my good arguments; the success rate for converting these politically correct individuals into voting for a conservative party, is quite low – lower than 20%. They have simply been brainwashed and thoroughly indoctrinated by the Labour party state to not think those thoughts, so they do agree with you most of the time, but they are afraid of admitting it.

Furthermore, all of the people I know personally (my extended network, through a lifetime), in Oslo West, have adopted a multicultural image which they like to portray publicly. It's kind of like a t-shirt they take on when they wake up and go outside, leaving their true self behind. It's very hot to be tolerant, after all, like Madonna and Brangelina... The hypocrisy of these people is limitless though, as I know for a fact that not a single one of them would ever procreate outside our ethnic group. But expecting them to admit to these facts publicly would be too naïve. Because 90% of Europeans choose to follow their instincts, camouflaging their true feelings in order to survive in this Marxist world. Then we have the 10% Europeans, women and men, who choose to fully embrace the

Marxist rule of procreating with Asians and Africans. What will happen to them and their offspring when we reach phase 2 or 3 of the European civil war is unknown. It is not unlikely that they may be labeled as traitors as large parts of the population. People should try to understand the psychology behind this. In peacetime, your ethnic affiliation is important. However, in wartime, your ethnic affiliation is extremely important and might ensure your survival.

Let's take an example; if the multiculturalist elites of Europe manage to suppress us efficiently and prevent us from seizing power the next 6 decades we will reach a situation where the Muslims will be in a majority in ALL European major cities. And when they get confident enough, war will break out (similar scenario to the Lebanon war Christians vs Muslims). At this point in time the economy has already collapsed and chaos and lawlessness reigns. The national militaries have dissolved because the multiculturalist government fled to another country to prevent being lynched. No one was left to pay the army salaries so most of the soldiers created local militia groups protecting their neighbourhoods. These types of conflicts are extremely brutal and everything is either black or white. All individuals that look like Muslims will be gunned down, and they will gun down all who look like indigenous Europeans. Being an Asian or African under these conditions must be hard because most people will believe them to be Muslims. It is likely that they may end up as outcasts not accepted by either the Europeans or the Muslims. They may be deported, accidentally shot or deliberately killed by conservatives that are much less liberal than the "peace-time auto-gear European" is today.

The preservation of your ethnic affiliation is likely to be the greatest gift you can ever bestow upon your offspring as it will ensure their survival the next 70 years. Being hip, by mimicking Madonna or Angelina may be fatal to your offspring. Because I can guarantee the following; the European civil war has barely begun, and what is politically correct today, is likely to be seen as an absurdity during times of great hardship.

So think long term, be smart and never consider abandoning the ethnic affiliation to your tribe. If you do, it is a chance that you will end up making a decision that can prove to be fatal for yourself or for your children.

Imported non-European minorities are disloyal nation wreckers! True or false?

To claim that the above statement is a falsehood would require that minorities assimilated fully and were supportive of views and principles propagated by the European majority. So what is cultural and political assimilation? Full assimilation would mean that the imported minorities were supportive of the above including the support to the same political parties as the one(s) favoured by the Europeans. In other words; they would vote on the same parties the majority voted on and that they would have the same loyalty to the values and principles that the majority had.

So is this the case with Muslims, Jews, Hindus and non-European Christians? For them to be looked upon as equals (as a part of the Europeans extended family), it would be required that they supported the same values and principles that the majority represented. This is simply not possible if the primary motivations for emigrating are economical. Why would they give up their religion/ideology or culture if they are not expected to? A Pashtun didn't come because he was interested in being separated from his extended Pashtun family (his ethnic group). He came because there was a high probability that he would be able to acquire funds easily, funds which then would be channeled back to his REAL family, the Pashtuns.

The relevancy of your ethnic group will always be important as we view our ethnic group as our extended family. This goes for all ethnic groups whether they are European,

Pashtun, Arab, Rom, Berber-Arab, Somali, Indian, Japanese or South Korean. The Marxist claims that ethnicity is irrelevant or should be made irrelevant goes against human nature and natural laws. It is nothing more than a utopian dream which will never be achieved. Trying to forcefully achieve this objective by mass importing different non-European cultures will achieve nothing more than creating a new dysfunctional Afghanistan with eternal war.

The only three exception I am aware of, where ethnic group is only superseded by another factor (religion) are the so called Bosniaks (which are Muslim Serbs) , Pakistanis (which are Muslim Indians) and Turks (which are primarily Muslim Greeks and Armenians).

So back to the question: how can we expect many minorities to be loyal to OUR extended family when they are still loyal to THEIR OWN. Firstly, why on earth would we want to go down that path, secondly; assimilation requires 100% loyalty. You cannot call yourself assimilated if you are culturally, politically and ethnically loyal to another group/culture/ideology then that of your hosts. And this is where multiculturalism fails miserably, as the ideology propagates a non-demand policy. The predominant doctrine seems to be: "do what you want, we won't demand anything and we don't care if you're disloyal as long as you pay your tax and don't commit any crimes. Please go ahead; invest in your "other" fatherland and feel free to channel funds back to your "other" extended family". This principle of "tolerance" is really nothing more than a suicidal or genocidal policy.

European polls

For example, in Norway (probably somewhat representative for a majority of European countries); 37% of the indigenous Norwegians vote for a conservative party which opposes multiculturalism, while 63% of the indigenous Norwegians vote for liberal or socialist parties which supports the anti-European hate ideology; multiculturalism. 95% of Muslims, 70% of Hindus, 85% of Jews and 90% of non-European Christians vote for political parties who support multiculturalism. Only less than 5% of Muslims, 30% of Hindus, 15% of Jews and 10% of non-European Christians vote for political parties who oppose multiculturalism.

So why would anyone expect us to view the bulk of these minorities as equals with a right for citizenship when we consider them disloyal and unwilling to fully assimilate?

US polls

I've seen a US poll describing something similar; approx. 40% of European Americans voted for the Democrats while 60% voted for the Republicans. 75% of the Jewish Americans voted for the Democrats while 25% voted for the Republicans. 95% of the African Americans voted for Obama while 5% voted for the Republicans. 75% of the Latinos voted for the Democrats while 25% voted for the Republicans.

So why would anyone expect us to view the bulk of these minorities as equals with a right for citizenship when we consider them disloyal and unwilling to fully assimilate?

These polls raises several important questions;

- Will these minorities be seen as Trojans, or nation wreckers by the conservatives in any given European country with similar statistics?

- Will these minorities or the “disloyal” part of these minorities eventually be blamed for the great European civil war, if so - which of them, and how would it affect each different minority group?
- Will these minorities or the “disloyal” part of these minorities be deported or forcefully relocated during or after the current civil war? If, for some reason, it proves to be impossible to deport/relocate them, will they be annihilated, WW2 style?
- Should the conservative Europeans invite the conservative (loyal) portions of the minorities to join them?
- Is it realistic that they will join, if they are invited?
- Are we or will be we able to see the difference between a loyal (conservative) member of the minority community and a disloyal one (liberal/Marxist)?

As I’ve said so many times before; I believe the outcome will be very different in the US and Europe. After all, the composition of minorities greatly differs. There are 30 million Muslims in Western Europe while only 12 in the US, there are 6 million Jews in the US while only 1 in Western Europe. The Republicans supports multiculturalism in the US so conservative European Americans doesn’t have any form of political representation at the moment. The lack of political representation is likely to cause a more explosive and devastating result, as countries with a clear political alternative are more likely to avoid utter destruction and may be able to orchestrate a successful military coup. The reason for this is because the military trusts known entities but doesn’t (at least historically) trust what is alternatively labeled as “right wing extremist groups”.

One thing is for certain; a majority of European conservatives witness what they see as the “disloyalty” of the greater parts of many minority groups and it would be naïve to assume that this is a factor which will not have long term consequences. Unfortunately, the problem is continuously escalating as we continue to see an increased inflow of disloyal components which will only add to the current explosive mix. This trend of mass import will continue steadily until the economy collapses and phase 2/3 of the civil war is initiated.

As for the conclusive answer to the initial question; I believe we should include as many of the loyalists as possible. However, there may be a mentality shift, based a number of factors which may result in a different end game. If the US/EU Multiculturalist Alliance refuses to capitulate to us, the conservative forces, by 2020 and instead clings to power, it is likely that the Great European Civil War will make WW2 look like a picnic, effectively sending us all back to the stone age. So let us hope that they capitulate to our forces in time.

3.104 Pro-African nationalism: deportation and/or segregation is the most anti-racist approach (UNDER CONSTRUCTION AND NOT EDITED, feel free to complete this essay)

While deportation and/or segregation might appear as the most discriminating option at first glance, it’s actually quite the opposite. One of the reasons why all African countries are failed states is due to lack of nationalistic principles with subsequent lack of pride in their people and nation. The dream about Europe, hanging like a carrot in front of a mule, eliminates any hope to create and develop a sustainable African nation. Africans who successfully emigrate from Africa are regarded as heroes by the majority of Africans in the community they left behind...

The solution is to simply remove the destructive carrot altogether. African pride cannot be established until the day we clearly tell them that Europe is off limits and all aid will cease immediately. As for how to handle the so called African asylum seekers;

An illustration on how a majority of asylum seekers should be handled in the future.

Where the opposing forces control territory - A Somali illustration;

For example a Somali family consisting of; father age 35, son age 16, daughter age 10, pregnant mother age 30 fleeing from al-Shabaab in Somalia. The family paid human traffickers to be smuggled to Europe and are now at an asylum camp in England. The family should be automatically deported (forcefully if necessary) to a territory under Ethiopian control (Ethiopian forces now control and leads the anti-al-Shabaab military campaign), where they will be able to serve the anti-al-Shabaab forces. The males in the family, above the age of 15, should immediately report for duty, receive training and contribute militarily to the destruction of al-Shabaab and its Islamist allies. The women of the family must do their duty and produce soldiers for the campaign, until the day they are victorious and manage to seize military control of Somalia.

Ethiopian forces now control many refugee camps where they use people like these as auxiliary forces in their campaign. The only thing required for this to happen is that the European country in question comes to an agreement with the Ethiopian or Somali anti-al-Shabaab leadership. If the leadership attempts to complicate the process intentionally for the purpose of blackmailing for funds etc, this must be countered by simply dropping off containers full of these Somali refugees in safe zones, without permission. Alternatively, a small fraction on land close to the allied camp must be secured militarily in order to establish a drop-off transit area.

Where the opposing forces lack territory - An Iranian/Vietnamese illustration;

In countries where the "opposing forces" do not actually control territory of any size a different approach must be chosen. For example Iranians that somehow manage to enter Europe must be relocated to a Muslim country close to the conflict area. This principle should have been followed after the Vietnam War as well. Anti-communist Vietnamese should have been relocated to Taiwan, a country established by the anti-communist Chinese after WW2. There is absolutely no good reason why an Iranian or a Vietnamese should be encouraged or facilitated to travel across the world for relocation in a European country. However, in order to ensure a smooth transition it would be required, by the future cultural conservative regimes of Western Europe, to establish deportation/relocation agreements with a multitude of regimes around the world. There are more than 80 conflicts around the world today that should concern us in this regard.

Europe should never encourage or facilitate the African (or Asian) cowards and traitors whom attempt to abandon their people and their own struggle and conflict. Rewarding cowardice will only establish a destructive precedence which will result in a cultivation of the coward's mentality. This short sighted bleeding heart policy is one of several important causes for both Africa's and Europe's problems.

As the third world resident learns that there is no hope of immigrating to Europe he will begin to look inwards and start to contribute to solve the issues in his own country. As soon as we, the cultural conservatives, seize military and political control of Western Europe in the coming decades, we will begin to implement these principles and help Europe and Africa by enforcing a policy based on pragmatism and logic. As such; we will immediately halt current bleeding heart policies which directly cause many of the problems we see in Africa and other third world countries today.

Segregation in combination with a complete halt in aid and facilitating the African governments to implement nationalistic doctrines are in fact the best African strategy. Policies like these are in fact the most anti-racist approach of all as it clearly defines the new responsibilities and limitations. Because with responsibilities and limitations, comes opportunity. Nevertheless, people who are very short sighted will consider these policies quite cynical or darwinistic. However, long term, it is the most humanistic and responsible approach.

In contrast to today's policies; the current African policies represent processes of "clientification". Africans and African nations are treated with the utmost contempt, very similar to how drug addicts on the streets of Western Europe are treated today. The current African policies are very racist and contribute to hold Africa and Africans back by taking what little pride they have left away from them.

Consolidating European conservative organisations

"Before we can do anything, there must be a we."

John Law

3.105 A new conservatism/nationalism - Vienna School of Thought

The Vienna school of thought or "Crusader Nationalism" advocates a new conservatism/nationalism - a hybrid of several conservative and traditionalist directions. It is not a full-fledged ideology but can act as a caricature of a reactionary ideological platform and an alternative to the left wing ideological caricature known as the Frankfurt school of thought.



The ideological platform advocates a strict anti-Jihad/Islamic stance which indirectly establishes a default friendly stance and support to Israel as an integral part of its fundament. The Vienna School of Thought is a right wing, Western European equivalent and reaction to the Marxist - Frankfurt school (ideological caricature). The purpose of the platform is to ensure a consolidation of anti-Marxist forces before Europe is overwhelmed demographically by Muslims.

If the anti-Marxist forces fail to seize political and military power in Western European countries within 20-70 years, we will end up like Lebanon (once a Christian country), where 10 decades of Islamic demographical warfare have reduced the Christians to a persecuted minority in their own lands.

The name of the school is coined after what its supporters see as the most important battle in European history; the Battle of Vienna in 1683 where the Islamic conquest of Western Europe was prevented by the Holy League, lead by John III Sobieski. This conservative school of thought is mostly known for its principles against doctrines rather than its principles or alternative political policies/platform which will solve many of Europe's current problems.

It's a branch of nationalism is often referred to as the "European new right" although its doctrines vary from moderate to more extreme. Many moderate supporters of the school of thought will not acknowledge the more radical doctrines. The Vienna School of Thought is a hybrid between several sub-ideologies:

Pro:

- Pro-Nationalism
- Pro-pan-nationalism (pro-Europeanism)
- Pro-national or pan-European crusaderism
- Pro-Christian identity
- Pro-cultural conservatism
- Pro-monoculturalism (pro cultural unity)
- Pro-patriarchy
- Pro-Israel

Anti:

- Anti-Marxism
- Anti-globalism/internationalism
- Anti-multiculturalism
- Anti-Jihadism
- Anti-Islam(isation)
- Anti-imperialistic
- Anti-feminism
- Anti-pacifism
- Anti-EU(SSR)
- Anti-matriarchy
- Anti-racist
- Anti-fascist
- Anti-Nazi
- Anti-totalitarian

Areas not covered by the school of thought:

Economy – the school of thought does not include a description of a clear economical platform. However, a majority of its supporters are generally against a communist/socialist economical model and at the same time against a laizzes faire capitalist model. An economical model may contain socialist and capitalist principles (welfare policies included).

Liberalism/individualism – the school of thought is not against liberalistic or individualistic principles as long as these principles do not significantly undermine the collective interests of all citizens. Extreme collective individualism can have catastrophic results on a society illustrated best through the average European fertility rate of 1,5. We must always strive to ensure that as many as humanly possible have every opportunity to pursue and find happiness and we should not restrict these opportunities as long as they do not significantly undermine the collective interests of all citizens. Ensuring attractive opportunities and solutions for both conservatives and liberals can be solved by creating "metropolitan liberal zones".

Controversial principles:

- Revolutionary, supports the overthrow of all Western European multiculturalist governments through armed struggle to prevent the gradual demographical extermination of Europeans through Islamic demographic warfare
- Against excessive US cultural influence
- Against US military bases/US military personnel on European soil
- Restriction of media rights. Media should not dictate the policies of the nation or the lifestyles of Europeans
- Supports the deportation of all Muslims from Europe

- Pro-Israel (pro-Zionism/Israeli nationalism, supports the deportation of Muslims from the West Bank and the Gaza strip)
- Pro-Russia (pro Russian nationalism)
- Pro-Eurosiberia (supporting a federation with Russia – European Federation - as long as Russia deports their Muslim inhabitants and breaks its union with Muslim ex-Soviet republics and instead chooses a purely European alternative). The new European Federation will be much more isolationist with a policy of economic nationalism (protectionism).
- Pro-Boer/Afrikaner (supporting a partition of South Africa into two parts)
- Pro-India (pro-sanatana dharma movements/Indian nationalism, support to the nationalists in the Indian civil war and to the deportation of all Muslims from India)
- Pro-China (supports Chinas deportation of Muslims).
- Pro-Thailand (support the nationalists in the Thai civil war and to the deportation of all Muslims from Thailand).
- Pro-Philippines (supports the deportation of all Muslims from the Philippines).
- Pro-Sri Lanka (supports the deportation of all Muslims from Sri Lanka)
- Anti-Turkey, many followers do not acknowledge Turkey and consider parts of Anatolia to be occupied Greek and Armenian territory which must be re-annexed.
- Pro-Christian Africa (supports Christian Africans against Jihad)
- Pro- Rom/gypsy (supports the creation of a Rom/gypsy homeland in East-Anatolia)
- Pro-Maronite (supports the re-establishment of a Christian Lebanon)
- Pro-Assyrian (supports the re-establishment of a Christian Assyrian state north of Lebanon)
- Pro-Copt (supports the re-establishment of a Christian Coptic state in western Egypt)

Well known and relatively moderate contributors to the Vienna school of thought:

Intellectuals:

Fjordman
 (Robert Spencer)
 (Bat Ye'or)
 Many more

Sites:

Gates of Vienna
 The Brussels Journal
 (The Green Arrow)
 Many more

3.106 Creating patriotic youth movements in phase 1

According to MSM and the Multiculturalist governments; everyone who criticises Islam or multiculturalism/cultural Marxism (the political mechanism that allows Islamisation) are considered fascists, racists and Nazis. So according to them all patriots are fascists, racists and Nazis.

We shouldn't do "their" dirty work FOR them by labelling fellow patriots. Most of the youths who are recruited to "real" racists criminal organisations like Hells Angels or NS organisations go there because they lack alternatives. In other words, they go there because they lack ideological guidance. Organisations like for example Hells Angels completely lack the intellectual and moral justification we represent. This is why it is important that "politically correct" patriot intellectuals like ourselves (at least some of us) should take responsibility and give them an alternative. I'm not saying organisations like SIOE or EDL should be that alternative but at least IT IS an alternative that can be morally and ideologically justified. However, there is definitely a market for more alternatives.

In this context it is essential to understand and acknowledge that our current immigration policies/the Islamisation of Europe is actually a secondary "illness". It is a result of the doctrines of multiculturalism. There has been a successful infiltration of multiculturalist doctrines into our systems the last four decades (state bodies/policies, school curriculum's, university campuses, MSM agenda, media agenda etc.). Changing our immigration policies or stopping the Islamisation is simply not possible without first dealing with the core problem which is cultural Marxism/cultural relativism/multiculturalism. As, already noted, the Islamisation of Europe is a "secondary manifestation" of given ideology/principles.

We shouldn't fight racism with racism but instead strive to gain the moral high ground. In order to maintain our moral and ideological justification (for our ongoing fight to liberate Europe from cultural Marxism/multiculturalism) it is required that we reject and distance ourselves from ALL 4 hate-ideologies:

1. National Socialism (anti-Jewish hate ideology, racist in nature)
2. Islam (anti-Kafir hate ideology, Christians, Jews, Buddhists, Hindus, Atheists etc)
3. Communism (anti-individualism, anti-freedom)
4. Multiculturalism (anti-European hate ideology, anti-white racism).

A multiculturalist is just as bad as a Nazi, which again is just as bad as a true Muslim, a communist or a fascist.

We should and must strive to distance ourselves from all four ideologies. By doing this we will gain the support of the masses and not end up as a marginalised and excessively demonised insignificant organisation.

The problem arises as everyone who criticises Islam or multiculturalism, the cultural conservatives, are automatically labelled by MSM and the Western European multiculturalist governments as fascists, racists and Nazis. Do we accept their premise, the cultural Marxist labelling techniques? Ofc we don't and we shouldn't do their dirty work for them by labelling fellow patriots. 90% of the individuals who uses Neonazi/fascist symbols are not real national socialists. They are only extremely frustrated individuals who have been demonised and ridiculed for too long by the establishment. They do not need to be demonised further by us, they need an alternative patriotic movement which strives to defeat all forms of hate and racism (multiculturalism included), instead of fighting hate (multiculturalism) with more hate (Nazism).

Creating patriotic youth movements in phase 1

How can we expect to safeguard our societies against cultural Marxism and Islam in the future (say in 2,3,4,5 decades from now) when Western Europe does not even have any well organised patriotic youth groups?

Patriotic youth groups (also referred to as street activists) are the back bone of the resistance and the creation of such political entities should be a primary goal.

An intellectual club (consisting of older professionals) who rejects the notion of offering political and intellectual guidance to the youths of the society will have limited impact. A large majority of the current European conservative intellectuals are cowards and unwilling to take responsibility. If they had taken responsibility they would have started to develop a Conservative Revolutionary Movement and/or several patriotic youth movements.

If the "anti-Islamisation/anti-totalitarian organisations" refuse to start their own youth groups and start recruitment of patriotic youth then the so called totalitarian-minded, racist or criminal organisations such as Hells Angels will (as we are witnessing today). And when the time comes there will be one impotent "politically correct" intellectual club " without anyone who can physically protect it and its doctrines from "Marxist/Muslim lynch mobs" as most of the youths have been recruited by the other "competing" patriotic alternatives.

It would be irresponsible and quite hypocritical to just label the youths of your society as "lost causes" just because the MSM tactically label them as racists. I would bet 90% of the individuals who are labelled as "Nazis or fascists" are in fact far from it and just lack ideological and intellectual guidance. They feel they really have no other alternative. It is therefore quite irresponsible and hypocritical not to take an initiative regarding the creation of youth groups with the intention to offer them intellectual and political guidance. Unwillingness to do exactly this confirms the notion that you are nothing more than an irresponsible hypocrite.

This again raises several important questions;

Creating patriotic youth groups is a pragmatic and necessary approach as we CANNOT and should not trust that our police forces and military act in our interest now or in the future. Both our police forces and military are lead by the multiculturalist traitors we wish to defeat.

So, if your goal or hope is to attempt to convince your traitorous politicians to voluntarily remove and ban multiculturalist doctrines and Islam you are delusional and extremely naive. However, I totally understand why people are hesitant to discuss this publicly. Know this; if you pursue this course (create patriotic youth movements) you will most likely be persecuted and ridiculed by the multiculturalist government and the MSM press. You are likely to lose your job and be the primary target of a campaign of psychological warfare. Pursuing this goal will involve persecution and suffering in phase 1. Nevertheless, it is extremely important that some brave Western European souls find the strength to pursue it.

I have to admit, for many years I was scared as well (scared of being ridiculed, frozen out, persecuted, harassed by MSM, blacklisted etc) so I completely understand why other people are afraid to discuss this (creation of youth groups, non-armed militias) as it is considered politically incorrect.

Myself, and many of the people I know (other cultural conservative intellectuals) have been quite hesitant to bring this up as we were and still are simply too scared of the

consequences as an overwhelming majority of other anti-Jihad ideological warriors are. We are reluctant to take the struggle to the "next level". It is inevitable but we tend to try to delay it for as long as possible, clinging to the hope that our elites will come to their senses before then. Somehow, we cling to hope and refuse to admit that there is no chance of this happening. The Lebanon example illustrates how this happened historically and how it ended. They waited too long due to cowardice and as a result, they are now a persecuted minority in their own lands. We CANNOT and WILL NOT allow this to happen again. We must act while we still can!

Lebanon demographical development [Muslim vs Christians]:

1911 - 21% Islam
1921 - 45%
1932 - 49%
1943 - 48%
1970 - 58% (Civil war 1975–1990 started when Islam reached 60%)
1990 - 65% (Christians lost the war)
2008 - 75%

Christian Lebanon waited too long before they started mobilising and as a result they lost the war.

One thing seems pretty clear though. If the right wingers that holds the moral high ground (us) refuse to take our youth under our wings (offering them ideological guidance), they will seek criminal organisations like Hells Angels or alternatively National Socialist movements instead. And it will be OUR fault.

Just take the initiative, and keep the discussions on closed forums (those kinds of discussions violate FB and other societies guidelines so use neutral discussion grounds). Focus on the people you trust first and don't exclude people based on the MSM premise and labeling techniques. After all, the MSM are our enemies as 99% of journalists support multiculturalism.



Be aware of the factors that limit and creates difficulties for consolidation:

- NIA (national intelligence agency) targeted extermination campaigns (see chapter about NIA).
- Unemployment rate
- Lack of reputational shields (be smart, choose principles/names many people can "morally defend". A good alternative: Patriots against Fascism, European Human Rights Movement. A bad alternative: National Front or any name containing the word nationalist or other massively demonised words.

Copy your enemies, learn from the professionals

The cultural Marxists youth are known for their talents to infiltrate, control or create organisations related to a spectre of themes. The cultural Marxists are hateful individuals driven by their hate for anything European – European culture, European traditions, European identity and European national sovereignty. However, they disguise their true political intentions by claiming to be driven by humanist principles, thus effectively smoke screening their true agenda. Typical names of Marxist controlled political entities are:

- Youth against Drugs
- Alliance against Racism
- Alliance against Fascism
- Feminist Front
- Environmentalist organisations
- Alliance against the Church (often for abortion and gay marriage)
- Alliance against Israel
- Alliance for Animal Rights
- Solidarity with Africa
- Solidarity with Palestine
- Civil rights movements
- Pacifist movements
- Human rights movements

We, the patriotic/cultural conservative youth however should actively choose the following spectre of themes:

- Alliance against Muslim Extremism
- Alliance against Jihad
- Alliance against Sharia etc.
- Alliance for Freedom of Speech
- Patriots against Fascism
- Alliance against Marxism
- Alliance against excessive taxation
- Alliance against the EU
- Patriots for Europe
- Alliance against the Lisbon Treaty
- Stop the deconstruction of Christianity
- Stop the European Cultural Genocide and the deconstruction of European identity
- Alliance against the genocide of the indigenous peoples of Europe
- Stop the Genocide of Christian Copts
- Stop the Genocide of Christian Assyrians
- Acknowledge the Armenian Genocide
- Turkey out of the EU
- Turkey and Albania out of NATO
- Stop the Jihad against of Christian Sudanese
- Human rights movements
- Civil rights movements

The British EDL seems to be the first youth organisation that has finally understood this. Sure, in the beginning it was the occasional egg heads who shouted racist slogans and did Nazi salutes but these individuals were kicked out. An organisation such as the EDL has the moral high ground and can easily justify their political standpoints as they publicly oppose racism and authoritarianism.

Yes, multiculturalism is a racist ideology but you can't combat racism by being racist. Several Western European political parties and youth organisations need to understand this. The racist policies cannot be morally justified and is counter productive for any organisation seeking support above the 10% mark. They should rather attack multiculturalism on safe ideological grounds (cultural justification, not racial).

Marxist and anarcho-Marxist youth organisations like Blitz, SOS, AFA in Scandinavia managed in a very successful fashion to infiltrate the hiphop movement in the 90s by creating a youth hub and arranging hiphop concerts and even setting up their own record labels and direct alliances with artists. They arrange concerts, have their own radio stations and offer various activities for European youngsters together with related NGOs

in which they have successfully managed to take control over like "youth against drugs" and "youth against racism". The Marxists are actively using all these fronts as bases for recruitment (in addition to university campuses). They even very often get financial support from the state establishment to do exactly this. In Norway the PC block led by the Labour Party and Socialistic Left Party are strong supporters of these organisations and give millions to support them.

The patriotic-nationalist youth movements on the other hand have been systematically deconstructed the last three decades with the assistance of the police, schools and of course the mass media etc.

A recurring strategy is to pressure the parents and youth themselves through several directions. Demonisation is their weapon of choice. The end result was that the cultural Marxist establishment in Norway successfully managed to deconstruct the movement and push the rest of the elements underground. I know the situation is quite different in various European countries. Sweden has the largest movement in Scandinavia, Germany has a large alternative and the UK has a large emerging patriotic movement.

The European patriotic movements should continue to target the trance/ electronica community and gain ground on similar new arenas and use them as the Marxists have traditionally used the hip-hop community, the anti drug arena and the environmental NGOs. They are the professionals and we should learn from them.

False prophets

Denmark doesn't have an EDL (English Defence League) equivalent. Instead they have Hells Angels, a criminal organisation who is claiming the title: defender of the Danish people, knights templar etc. This is a typical example of a "false prophet".

The problem here is that they are simply exploiting the naive patriot youth to use them in a drug war against the Muslim mafias and street gangs. Street protesters/activists are inevitable and important whether we like it or not. We just have to select a line that can be morally justified towards a large enough portion of the public. Racism and anti-Semitism can never be justified so don't even go that way. Indigenous rights however is not racism but is still a minefield so tread carefully.

1. Organisations like EDL, doesn't have an official extreme political doctrine. When they "bait" the UAF, and Jihadi youth (in the thousands) in to rioting, they ensure that the riots are covered by national and international press. During the Harrod protest there were only 16 or so from SIOE and EDL, while there were 3000+ Marxist extremists and Jihadi youth. While it is perhaps morally questionable to bait like this they enticed an overreaction which again lead to "favourable" coverage (a significantly unfavourable coverage of Marxist extremists and Jihadi youth). Favourable in the sense that Brits gets an indication of the true potency and potential threat of the Jihadi mob, which again results in more Europeans waking up from their self induced coma. It also results in increased polarisation. Is it really that bad that more Europeans are shocked out of their slumber?

2. The alternative would be that these patriotic youth are lured into "false prophet" patriotic criminal organisations like Hells Angels or even NS organisations which would be really bad.

Instead of condemning and rejecting organisations like EDL it is essential that conservative intellectuals contribute to help them on the right ideological path. And to ensure that they continue to reject criminal, racist and totalitarian doctrines.

Sure, they will always be labelled as racists by the MSM, but who aren't labelled? Everyone who criticises Islamisation or multiculturalism and supports Israel are labelled as racists, fascists and Nazis anyway. Europeans are getting increasingly immune against the multiculturalist labelling techniques. More and more people understand that Islam is not a race, but a hateful political ideology. When they continue with the labelling techniques despite of this, it is actually the individuals labelling other groups who are perceived as intolerant bigots. People aren't stupid.

3.107 Consolidating moderate (non-military) European cultural conservative organisations – phase 1 and 2

“He who does not trust enough, Will not be trusted.”

Lao Tzu

It's imperative that we, the moderate cultural conservatives in Western Europe, spend the next decades to recruit, build and consolidate our forces and try to reach a common vision of a future Europe. Note that it will be very difficult to cooperate and reach a consensus due to our different viewpoints.

There are many things about which we all disagree, but at this point we need to unite simply in order to survive. We can sort out our disagreements later.

Suggestions for common uniting principles with the intention of consolidating the four main cultural conservative movements

1. Secular cultural conservative movements
2. European conservative Christian movements (cultural conservative Christians)
3. The Anti-Jihad Movement (anti-Multicult/Islamisation, pro Israel)
4. Racial conservatives/NS (anti-Multicult, anti-Jewish, anti gay, neutral/hostile towards Islam/Christendom)

Moderate uniting principles:

Society

- Oppose the European cultural Marxist/multiculturalist establishment and their agendas.
- Oppose the feminisation of European institutions by promoting “rationalism” and opposing emotionalism.
- Support the nuclear family structure
- Fight for free speech
- Support the death penalty (3 strike)

Monoculturalism/Islam/Immigration

- Promote the Judeo Christian traditions in Europe with emphasis on Christendom.
- Oppose the Islamisation of Europe (European multiculturalism)
- Fight for the re-classification of Islam as a political ideology (75% political, 25% spiritual)
- Oppose mass Muslim immigration
- Promote European culture in general
- Implement measures against Islamic Demographic Warfare
- Fight for the Church's right to exist and grow (from current low). This includes continued political pressure to support conservative Christian's current positions in the Church, the public sector and NGO's. Individuals who have been dismissed the last decades must be reinstated. Furthermore, it is essential that we continue actively to try to limit the number of cultural Marxists/multiculturalists in similar positions. The goal should be to dismiss and replace them with conservatives from all three groups.
- Promote a re-introduction of non-falsified historical references concerning Islamic Imperialism, Islamic atrocities, Dhimmitude under Islam and un-biased information about the Crusades etc.

Foreign policy

- Support Israel's fight against Jihad.
- Oppose an appeasement policy towards the Islamic world.
- Continue to militarily prevent any Muslim country from attaining nuclear weapons (Pakistan must be disarmed).
- Oppose Turkey/Albania/Bosnia Herzegovina membership to the EU.
- Oppose Turkey's/Albania's membership in NATO.

More extreme principles

- Support for the banning of the Quran and the Hadith (as these books propagate violence, genocide and war against all non-Muslims).
- Disallow mosques in Europe as long as Christians are not allowed to build Churches in Saudi Arabia and other Islamic countries.
- Support the dismantlement of Protestantism in the Nordic countries, the UK, Germany (replacing it with Catholicism).

3.108 Europe, Anti-immigration parties/orgs – Nationalist parties/orgs

Overview includes several right wing groups from very moderate to very extreme (certain overlapping terms):

- Conservative Christian organisations
- Cultural conservatives (moderate to extreme)
- Regionalists and/or various Nationalists
- Anti-immigration parties
- Right wing populists
- Racial conservatives
- National Socialists (included although these are considered left wing)

Western Europe (updated 2008)

Austria

Freiheitliche Partei Österreichs (FPÖ) Freedom Party of Austria <http://www.fpoe.at/> (anti-immigration) 17,5% in 2008 election

Bündnis Zukunft Österreich (BZÖ) Alliance for the Future of Austria <http://www.bzoe.at/> (anti-immigration) 10,7% in 2008 election, lead by Haider

Belgium

Vlaams Blok (Flemish Bloc) www.vlaamsblok.be (anti-immigration)

Flandern (regional)

Vlaams Belang (VB) Flemish Interest <http://www.vlaamsbelang.org/> / <http://www.vlaamsbelang.be> (Nationalism, anti immigration) 24,2% in 2004 election,

VLOTT – anti-multicult: www.vlott.be

New Flemish Alliance - <http://www.n-va.be>

Front National (FN - National Front) <http://www.frontnational.be/> (Nationalism) – 2% in 2007 election, 4,7% in Brussels.

Groen Rechts <http://www.groenrechts.be/> (Nationalist Flandern)

Mouvement Nation <http://www.nation.be> (nationalist org)

New Belgian Front - Front Nouveau de Belgique - FNB Pour la Securite <http://www.fnb.to/> + [fnb.be](http://www.fnb.be) (nationalist org, anti immigration)

Denmark

Dansk Folkeparti (DF) Danish People's Party <http://www.danskfolkeparti.dk/> (moderate, anti-immigration) 13,8% in 2007 election

(DNSB) www.dnsb.info (NS)

Finland

Perussuomalaiset (PS) True Finns - <http://www.perussuomalaiset.fi/> (anti-immigration) 4,1% in 2007 election

Suomen Sisu - <http://www.suomensisu.org/> (nationalistic org)

Assosiation of Finnish Culture and Identity - <http://www.suomalaisuudenliitto.fi/> (nationalistic culture org)

Bluewhites of the Finnish People - <http://www.kolumbus.fi/sinivalkoiset/> (nationalist party)

Independence party-League of Free Finland - <http://www.vapaansuomenliitto.fi/>

France

Front National (FN) National Front <http://www.frontnational.com> (Nationalism) 4,3% in 2007 election

Front National de la Jeunesse – National Front Youth <http://www.fnj.info/> (anti immigration org)

Renouveau français - "French renewal" (nationalist party/org) <http://www.renouveaufrancais.com/>

The National Republican Movement (Mouvement National Républicain or MNR) – far right: www.m-n-r.net

The Movement for France (Mouvement pour la France or MPF), Conservative: www.pourlafrance.fr

Les Identitaires (NR) : www.les-identitaires.com/ (nationalist org)

Jeunesses Identitaires (Youth) : www.jeunesses-identitaires.com/

Bloc Identitaire - <http://www.bloc-identitaire.com> (politics)

Terre et Peuple <http://www.terreetpeuple.com/> (Nationalist org)

Britanny (Regional)

ADSAV - <http://adsav.free.fr> (Separatist, Nationalist org.)

Alsace d'Abord / Elsass Zuerst www.alsacedabord.org/ (Alsatian regionalist)

Germany

National Democratic Party (anti-immigration) NPD (Nationaldemokratische Partei Deutschlands (Hamburg?))
<http://www.npd.de/>

In Hamburg - Law and Order Offensive, led by judge Ronald Schill, won nearly 20 percent of the vote last autumn.

Pro-Köln had 4,7% in Köln - www.pro-koeln.org (Moderate nationalism)

Deutsche Volksunion, DVU <http://www.dvu.de/> (anti immigration party).

Deutsche Liga für Volk und Heimat (German League for Folk and Homeland) <http://www.dlvh.de> (anti immigration org)

Die Republikaner <http://www.rep.de/> (anti immigration party)

Bürgerbewegung pro Nordrhein-Westfalen - pro NRW - <http://www.pro-nrw.org/>

Greece

Hellenic Front <http://www.metopo.gr/> - (anti-immigration)

Laikos Orthodoxos Sunagermos (LAOS - Popular Orthodox Rally) <http://www.laos.gr/> (Nationalism) 3,8% in 2007 election

Patriotiki Summahia/Patriotic Alliance (nationalist movement) disbanded Jan 07, its newspaper/website Eleutheros Kosmos is still active - <http://elkosmos.gr/site/>

Chrysi Avyi (Golden Dawn) - www.xrushaugh.org (nationalist/racial conservative org) Website of youth Front and "Resistance Hellas-Antepithesi" magazine: <http://www.antepithesh.net/>

Ireland

Immigration Control Platform (ICP) <http://www.immigrationcontrol.org/> (anti-immigration org)

Websites:

Irish Nationalism Website <http://irish-nationalism.net/forum/>

Italy

Alleanza Nazionale (AN) National Alliance - <http://www.alleanzanazionale.it/> (anti-immigration party)

Lega Nord (LN) League North - <http://www.leganord.org/> (anti-immigration party) 8,3% in 2008 election.

Tricolour Flame (Movimento Sociale Fiamma Tricolore, MS-FT) <http://www.fiammatricolore.net> (anti-immigration party)

La Destra (LD) - <http://www.partitoladestra.com/> (Nationalism) 2,4% in 2008 election in joint coop with Fiamma Tricolore

Fronte Sociale Nazionale - <http://www.frontenazionale.it> (anti-immigration party)

Forza Nuova - <http://www.forzanuova.org> - (nationalist movement)

Destra Nazionale <http://www.destranazionale.org> (nationalist org)

Luxembourg

Alternative Democratic Reform Party (Alternativ Demokratesch Reformpartei) right wing: <http://www.adr.lu/>

Malta

VivaMalta - <http://www.vivamalta.org> (Nationalist media site)

Imperium Europa (IE) - <http://www.imperium-europa.org/home.asp> (Nationalist media site)

Maltese Nationalist Party - <http://www.pn.org.mt/>

National Action - <http://www.azzjoninazzjonali.org/>

Netherlands

Partij voor de Vrijheid (PVV) Freedom Party <http://www.pvv.nl/> (anti-immigration) 5,9% in 2006 election, Geert Wilders

Lijst Pim Fortuyn (LPF) List Pim Fortuyn (dissolved)) (anti immigration)

NVB <http://www.nationalistischevolksbeweging.nl/> (Nationalist org)

Dietse Kameraden <http://www.dietsekameraden.com/> (Nationalist org)

Nederlandse Volks Unie - NVU - <http://www.nvu.info/> (Racial Conservative)

Norway

Fremskrittspartiet (FRP) Progress Party <http://www.frp.no/> (moderate, anti-immigration) 22,1% in 2005 election

NorgesPatriotene (anti-immigration party/org) <http://www.norgespatriotene.org>

Federlandspartiet <http://fedrelandspartiet.no/> (nationalist party)

Portugal

Popular Party - The Democratic and Social Centre - People's Party (Centro Democrático e Social - Partido Popular) (CDS-PP) moderate anti-immigration: <http://www.cds.pt/>

Partido Nacional Renovador, PNR - National Renewal Party <http://www.pnr.pt/> (nationalist party) 0,2% in 2005 election

Frente Nacional (Radical micro party)

The People's Monarchist Party - <http://www.ppm.pt>

New Democracy Party - <http://www.pnd.pt>

Nationalist websites/blogs:

<http://www.causanacional.net/>

<http://blogidentitario.wordpress.com/>

<http://www.juvenac.org/>

Spain

In Spain the scene of radically restrictionist parties is very fragmented. The leading but tiny restrictionist party Democracia Nacional has contested the last two Spanish general elections as the head of a coalition named Plataforma España and Frente Español.

La Falange (Falange Española de las J.O.N.S.) (tiny political party + militant movement,) - <http://www.falange.es> HQ in Madrid. Vastly reduced in size and power today, three smaller organisations under the Falange banner received 27,166 votes between them in the 2004

España 2000 - <http://www.esp2000.org> - anti-immigration party,

Has taken Valencia by storm, winning councillors in three town halls. Minor presence in Catalonia, Granada and Madrid.

Alianza Nacional - www.alianzanacional.es - anti-immigration party,

Democracia Nacional - <http://www.democracianacional.org> - (anti immigration party) DN won three seats last election and is led by Manuel Canduela, founding member of the nationalist band División 250.

Fuerza Nueva (New Force) www.fuerzanueva.org - anti immigration party

Plataforma per Catalunya (PxC) <http://www.pxcatalunya.com> (anti immigration party) gained 17 councillors in Catalonia last election

The Partido de Acción Demócrata Española (PADE) won 20 councillors in Madrid and Guadalajara.

The new anti-immigration parties gained 50 extra councillors in Spain's local elections in 2007. Expect the 2011 elections to see a further boom in this field - unless Spain manages to combat prejudices and consolidate growing multiculturalism at the community level.

Other:

Moviment Social Republicà de Catalunya <http://es.geocities.com/msrcatalunya/> (nationalist Catalunya)

Estado Nacional Europeo <http://www.n-europa.org/>

Carlist Traditionalist Communion - <http://www.ctcarlista.org/>

Sweden

Sverigedemokraterna (SD) Swedish Democrats www.sverigedemokraterna.se (anti immigrant party) 4% on national level and 11% in Malmö last election

Nationaldemokraterna (ND) National Democrats www.nationaldemokraterna.se (anti immigrant party)

SMR/Svenska Motståndrörelsen/Swedish Resistance Movement and Nationell Ungdom/National Youth, share this site -

<http://www.patriot.nu/> (nationalist movement)

Switzerland

Schweizerische Volkspartei (SVP) Swiss People's Party <http://www.svp.ch/> (National conserv.) 29% in 2007 election

Schweizer Demokraten (SD) Swiss Democrats <http://www.schweizer-demokraten.ch/> (Nationalism) 0,5% in 2007 election

National Orientierter Schweizer (PNOS) <http://www.pnos.ch/> (anti-immigration org)

The Freedom Party of Switzerland (FPS) (Freiheits-Partei der Schweiz)right wing: <http://www.freiheits-partei.ch/>

United Kingdom

British National Party www.bnp.org.uk (anti-immigrant party)

BNP Youth - <http://youth.bnp.org.uk/>

BNP Scotland - <http://scotland.bnp.org.uk/>

BNP Newspaper - <http://www.bnp.org.uk/freedom/>

BNP Magazine - <http://www.identitymagazine.org.uk/>

The UK National Front <http://www.natfront.com/> (nationalist party)

England First Party <http://www.efp.org.uk/> (nationalist party/org)

National Liberal Party - <http://www.nationalliberal.org/> (Third Way- Britain)

Conservative Democratic Alliance - <http://www.cdall.net/>

Civil Liberty - <http://www.civilliberty.org.uk/>

Solidarity Trade Union - <http://www.solidaritytradeunion.net/>

Steadfast Trust, charity for the English - <http://www.steadfasttrust.org.uk/>

The Countryside Alliance - <http://www.countryside-alliance.org>

Better Off Out (of the E.U.) - <http://www.betteroffout.co.uk>

Campaign for an English Parliament - <http://www.thecep.org.uk/wordpress/>

Stop Common Purpose - <http://www.stopcp.com/>

The Royal British Legion - <http://www.britishlegion.org.uk>

Tradition, Family and Property - <http://www.tfp.org/>

Action In England - <http://www.actioninengland.gb.com/>

The Conservative Monday Club - <http://www.conservativeuk.com/index.htm>

Third Way - <http://www.thirdway.eu/>

Ulster Nation, progressive Ulster Nationalism - <http://www.ulsternation.org.uk/>

Migration Watch UK - <http://www.migrationwatchuk.com/>

The New Right - <http://www.new-right.org/>

Websites and Blogs:

<http://www.heretical.com/>

<http://www.uktabloid.co.uk>

<http://www.bnp.org.uk/landandpeople/>

<http://www.simondarby.blogspot.com/>

<http://www.richardbarnbrook.com/>

Eastern Europe

Eastern European Right wing parties/nationalist orgs:

The term "anti-immigration" or "anti-Islamisation" does not capture the core concerns of Eastern European nationalist parties. Because immigration into these countries is very limited, these parties have not mobilised against immigrants. Rather, they have promoted strong right wing nationalism and as such they have mobilised anti-EU sentiments, as well as anti-Semitism (in particular the Polish Self Defence and the Hungarian Life and Justice) and opposition against other ethnic groups, in particular the Roma (gypsies).

In Russia there are several forms of "nationalism". You have the pro-Kreml organisations like the Nashi (pro government youth org) who officially are opposed to all fascist groups including National Socialists. Ironically cultural Marxist/multiculturalist (politically correct) Western European media view Nashi and all supporters of the Russian government as fascists (including the government itself).

Albania (Listing non-Muslim parties/orgs)

Partia Demokratiane e Shqipërisë (PDK) (Christian Democratic Party of Albania) - <http://www.pdkdiaspora.com/> - (Christian dem.)

Partia Bashkimi për të Drejtat e Njeriut (PBDNJ) (Greek min., Centrism)

Comment: 70% Muslims, 30% Christians according to CIA factbook

Belarus

Liberal'no-Demokratičeskaja Partija (LDP) Liberal-Democratic Party <http://www.ldpb.net/> (Nationalism)

Bosnia and Hercegovina (Listing non-Muslim parties/orgs)

Srpska Demokratska Stranka (SDS) Serbian Democratic Party (Nationalism (Serbian)) 7,7% in 2006 election

Bulgaria

Nacionalen Săjuz Ataka (ATAKA) National Union Attack <http://www.ataka.bg/en> (Nationalism) 8,1% in 2005 election

Croatia

Hrvatska Stranka Prava (HSP) Croatian Right's Party <http://www.hsp.hr/> (Nationalism) 3,4% in 2007 election

Hrvatski Demokratski Sabor Slavonije i Baranje (HDSSB) Croatian Democratic Assembly of Slavonia and Baranja

<http://www.hdssb.hr/> (Regionalism, Nationalism) 1,8% in 2007 election

Czech Republic

Natodni Strana (National Party) - <http://www.narodni-strana.cz/> (anti-immigration party)

Národní Odpor - <http://www.odpor.org/> (Nationalist org)

Estonia

Estonian Independence Party - (Eesti Iseseisvuspartei) <http://www.iseseisvuspartei.ee/>
Estonian Nationalist Movement - <http://rahvuslikliikumine.ee/>

Hungary

Magyar Igazság és Élet Pártja (MIEP) Hungarian Party for Justice and Life <http://www.miep.hu/> (nationalist party)
Hatvanegy Varmegye Ifjúsági Mozgalom <http://www.hvim.hu/> (nationalist movement)
The Movement for a Better Hungary (in English) <http://www.jobbik.com/>

Latvia

Latvian National Democratic Party (NS?)
"Visu Latvijai!" ("All for Latvia!") - <http://www.visulativijai.lv>
Tēvzemei un Brīvībai/LNNK (TB/LNNK) Fatherland and Freedom <http://www.tb.lv/> (National conserv. anti-immigrant) 6,9% in 2006 election
NSS (National Power Unity) - (on 2006.10. parliament elections get 0.12%)
Klubs 415 - <http://www.klubs415.lv> (nationalist org)
LNF (National Front of Latvia) - not a political party - <http://www.ddlfn.com/>
Pro-Russian Latvian Party - <http://www.lndp.lv/> Today latvian nationalists often use rusophobic speech and anti-russian action. This party is opposing it.

Lithuania

Tvarka ir Teisingumas (TT) Order and Justice (former LDP) <http://www.ldp.lt/> (National conserv., Nationalist) 11,4% in 2004 election

Macedonia

IMRO patriotic macedonian party - <http://www.vmro-np.org.mk/>

Montenegro

Srpska Narodna Stranka (SNS) Serbian People's Party <http://www.sns.cg.ru> (Nationalism) 14,6% in 2006 election

Poland

Samoobrona Rzeczpospolitej Polskiej (SRP) (Self-Defence of the Republic of Poland) <http://www.samoobrona.org.pl> (anti-immigration?) 1,5% in 2007 election
Liga Polskich Rodzin (LPR) (League of Polish Families) <http://www.lpr.pl/> (Nationalism, Christian right) 1,3% in 2007 election
National Radical Camp - <http://onr.com.pl> (Nationalists)
Narodowe Odrodzenie Polski (NOP) National Rebirth Of Poland - <http://nop.org.pl> (Nationalist) 0,6% in regional election in 2006
Liga obrony Suwerenności <http://los-polski.org.pl/> (nationalist org)
Law and Justice Party - <http://www.pis.org.pl/main.php>

Romania

Partidul România Mare (PRM) Great Romania Party <http://www.prm.org.ro/> (Nationalism)
Noua Dreaptă (New Right) www.nouadreapta.org (nationalist movement)

Russia

Edinaja Rossija (ER) United Russia <http://www.edinros.ru/> (Centrism) 64,3% in 2007 election
Liberal'no-Demokratičeskaja Partija Rossii (LDPR) Liberal-Democratic Party of Russia <http://www.ldpr.ru/> (Nationalism) 8,1% in 2007 election
Russian National Unity <http://www.rne.org/>
Movement Against Illegal Immigration (DPNI) - <http://www.dpni.org/> (Nationalist org)
Nashi (government funded nationalist youth movement) – 100 000 members, positions itself as a pro-government, anti fascist, anti NS movement. <http://www.nashi.su/>
Molodaya gvardiya (Young Guard) pro-Kremlin youth group similar to Nashi - <http://www.molgvardia.ru/> By Western pro-Eurabia media, these two organisations are seen as "Putin-jugend" of fascist nature, although Russian NS probably views them as traitors.

Serbia

Serbian Radical Party (Srpska Radikalna Stranka) www.srs.org.ru (Nationalism, anti-immigration)
Socijalistička Partija Srbije (SPS) Socialist Party of Serbia <http://www.sps.org.ru> (Nationalism)

Slovakia

Slovenská Národná Strana (SNS) Slovak National Party <http://www.sns.sk/> (Nationalism) 11,7% in 2006 election
L'udová Strana - Hnuti za Demockratiké Slovensko (LS-HZDS) People's Party - Movement for a Democratic Slovakia
<http://www.hzds.sk/> (anti immigrant?) 8,8% in 2006 election
Slovenská pospolitost – banned in 2006 <http://www.pospolitost.org/> (Nationalist party/movement)

Slovenia

Slovenska Nacionalna Stranka (SNS) Slovenian National Party <http://www.sns.si/> (Nationalist) 5,4% in 2008 election

Ukraine

Ukrainian National-Worker's Party (UNTP) New name?

3.109 European protectorates

Armenia

Republican Party of Armenia, Hayastani Hanrapetakan Kusaktsutyun <http://www.hhk.am/> (Nationalism(Conservative)) 33% in 2007 election
Armenian Revolutionary Federation (ARF) Hay Heghapokhakan Dashnaktsutiun <http://www.arfd.am> (Nationalism, Socialism)6,2% in 2007 election
ARF Student org: <http://www.arfshant.org>
Dignity, Democracy, Motherland (nationalism) 2,8% in 2003 election
Mighty Fatherland, Hzor Hayrenik(nationalism)3,3% in 2003 election

Comment: The majority of political parties in Armenia are nationalistic in nature which makes it perhaps the only sovereign Christian country in the world which is not dictated by the US or the EU. A majority of Armenians are in favour of taking back territory from the Islamic Republic of Turkey and the Islamic Republic of Azerbaijan. Armenians used to make out around 20-30% of the population in Anatolia but most of them (75%+) have been wiped out in a systematic Jihad (pogroms and dhimmitude) which has been going before and after Constantinople fell in 1453. Armenians are in fact true and rightful Byzantines and are one of two rightful heirs (along with Greeks) waiting for the day when Anatolia and Constantinople is liberated from the occupying Muslim peoples (Primarily forcefully converted Greeks/Armenians, Seljuk Turks and Kurds). Hadn't it been for the treacherous act of the British alliance with the Ottomans during the Congress of Berlin (1878) and later the German alliance with the Ottomans there would have been a Greater Armenia already, based on the Treaty of Sevres.

Lebanon (Listing all Christian parties, Christian nationalistic orgs)

Lebanese Forces (LF) <http://www.lebanese-forces.com/ar/indexen.asp> (Christian, Nationalism - former Christian militia.
Kataeb Party (Phalangist Party) (Christian ,Nationalism) <http://www.kataeb.org/enindex.asp>
National Liberal Party (NLP) (Christian liberal conservatism) www.Ahrar.org.lb English:
<http://translate.google.com/translate?u=http%3A%2F%2Fnews.ahrar.org.lb%2F&hl=no&ie=UTF-8&sl=ar&tl=en>
Independence Movement (Harakat Al-Istiklal) <http://www.7i.piczo.com/> (Christian reformism)
Shuraya Party (Assyrian Christian Nationalists) Shuraya supports a formation of a Christian Assyrian State in the Assyrian homeland, in what is today Northern Iraq. <http://www.shuraya.com/> - <http://www.shuraya.de.vu/>
Ramgavar party (Armenian Democratic Liberal Ramgavar Azatakan) (Armenian/Lebanese party)
<http://www.ramgavarparty.org/>
Social Democrat Hunchakian Party (SDHP) <http://www.hunchak.org.au/>
Lebanese National Bloc - The party's current leader is Carlos Eddé.
El Marada (Former: Marada Brigade) (nationalistic Christian) <http://el-marada.net/ar/> - <http://www.elmaradaaustralia.com.au/>
- <http://zgharta.com/>

Comment: Most of the Lebanon Christian parties/orgs are nationalistic in nature due to the ongoing Jihad which has lasted since the early Muslim occupation/invasion. Christian numbers have declined in Lebanon as the years went by due to a systematic Jihad. The Christian Lebanese lost the civil war (1975-1990) which resulted in the occupation of Lebanon where 60,000 Muslim Syrian soldiers, 5000 Iranian Revolutionary Guards (Hezbollah) and thousands of Palestinian Muslim militants from Fatah, Popular Front "Jabha el Sha` beyeh" and other terrorists organisations operate and have a freehand in Lebanon.

Israel

Likud – pragmatic right wing, www.likud.org.il
Yisrael Beiteinu – Nationalism, www.beytenu.org
Shas - Sephardi Judaism, right wing, www.shasnet.org.il
National Union, nationalism, www.leumi.org.il

Other relevant

Australia

Australian Protectionist Party - <http://www.protectionist.net>

US

American National Party (California) - <http://www.americannationalparty.com/>
America First Party (Florida and Mississippi) - <http://www.americafirstparty.org/>

India

Bharatiya Janata Party - <http://bjp.org/>
Rashtriya Swayamsevak Sangh: राष्ट्रीय स्वयंसेवक संघ, National Volunteers' Organisation - <http://www.rss.org/>
Student section of the RSS - <http://www.abvp.org/>
Vishwa Hindu Parishad - <http://www.vhp.org/>

3.110 Pan-European Movements

Euronat

Euronat is an association of far-right and nationalist European political parties. It was formed on October 9, 2005.

Members of the political association include:

- Front National (France)
- Nieuw Rechts / New Right (Netherlands)
- Fiamma Tricolore (Italy)
- National Democrats (Sweden)
- Democracia Nacional (Spain)
- British National Party (United Kingdom)

There have also been past efforts to combine certain nationalist European parties under the "Euronat" name, mostly incited by Jean-Marie Le Pen of the Front National. These parties were said to participate or to be invited to participate in one of the earlier efforts:

- Vlaams Blok (Belgium)
- MIEP (Hungary)
- Romania Mare (Romania)
- Srpska Radikalna Stranka (Serbia)
- Slovenská národná strana (Slovakia)
- Sverigedemokraterna (Sweden)
- Democracia Nacional (Spain)
- Hellenic Front (Greece)
- Movimento Sociale Italiano (Italy)
- National Revival of Poland (Poland)

<http://www.euronat.org/>

European National Front

European National Front is a coordinating structure of European far-right movements. The European National Front is headed by General Secretary, elected by ENF Assembly. The current General Secretary is Roberto Fiore.

Members

Legal registered political parties/movements that accept the principles, aims and structure of ENF can apply for membership. The accession to ENF must be submitted by authorised representative of the applicant and then confirmed by Political Council.

Current members:

Forza Nuova (Italy)
Narodowe Odrodzenie Polski (Poland)
Noua Dreaptă (Romania)
Patriotic Alliance (Greece)
La Falange (Spain)
Renouveau Francais (France)

Affiliated Groups

Associations, far-right parties etc., that support aims of ENF and state the world of co-operation. The representative of the Affiliated Group sits on the Assembly with advisory vote. The status of the Affiliated Group can be granted by Political Council.

Current affiliated groups:

Partido Nacional Renovador (Portugal)
Nationale Alliantie (Netherlands) (disbanded in 2007)
Bulgarian National Alliance (Bulgaria)

<http://www.europeannationalfront.org/>

3.111 National Anarchists (Anarcho-nationalists, certain ACAB-, oi-, RAC-, 14/88 nationalists)

“Vision without action is merely a dream. Action without vision just passes the time. Vision with action will change the world.”

Joel Barker

National-anarchism is somewhat a partial ideology of its own[1]. However, I tend to put all individuals who refuse to embrace pragmatical methods and principles in this category. A majority of these individuals do not directly contribute in a useful way to any of the 8 political fronts.

They are currently more or less an irrelevant political force in most Western European countries and they will continue to be politically irrelevant unless they start to contribute efficiently through various ways of political activism. Embracing our (the Knights Templar) primary principles is one of these ways.

Of course, it must be noted that many in the oi, RAC, ACAB groups do in fact contribute to the struggle in very useful ways through active consolidation and activation of former passive individuals. However, the large majority, who themselves claim to be political activists, do very little or absolutely nothing useful for our struggle. Their ideological platform and propaganda is often so crude and un-appealing that they often end up defeating their own purpose and often end up in isolated groups/spheres with minimal influence (penetration rate) towards the broader society. Some even hurt the nationalist cause with their counter-productive behaviour.

The ACAB mentality (All Cops Are Bastards) is a useless and counterproductive philosophy. The cops/system protectors are NOT our targets and they never will be. Instead, the Knights Templar, consider them speed bumps on the way to our target destination. Sure, they protect the category A and B traitors but we do what we can to avoid and evade all system protectors. If it comes to a confrontation where we cannot evade or escape we will strike hard and without mercy as they will do the same to us if given the opportunity.

If the national anarchists were true rebels - true nationalist revolutionaries, they would not spend 1000-20 000 Euros on tattoos but rather invest that budget on meaningful resistance by participation in the 8 fronts. If they are warriors of the conservative revolution wouldn't the investment in guns and explosives or even books to broaden their knowledge base be the way to go? You can get premium weaponry and armour for 5-20k Euro.

National anarchists often lack the will to fight because they lack long term purpose and structure. They loathe authority hierarchies and the PC bourgeois even more. They lack the structure in their lives that will allow them to become an unstoppable political force. They will become a superior and unstoppable force if they adapt and conform to the principles of the Knights Templar. They have the potential to rise up from irrelevancy to become the leaders of tomorrow. No one can make that decision but them, themselves.

It should be in the interest of every European nationalist to actively reach out a hand to the national anarchists and offer them structure, know how - knowledge and purpose. The road to influence begins by taking collective responsibility.

We must contribute to make them relevant in the ongoing European struggle, the civil war. Because I believe they will prove to be an essential and required piece of the puzzle.

We may not be able to win as long as our less structured brothers and sisters choose the ACAB and the immigrant/ANTIFA (anarcho-Marxist) bashing mentality.

In short, they will continue to remain irrelevant as long as they channel their frustration and rage towards immigrants, ANTIFA and the police, while completely ignoring the category A and B traitors. They must learn to ignore the immigrants, the ANTIFA and the system protectors and instead attack the very heart of the 7 headed monster – the individual category A and B traitors. The way to defeat the ANTIFA and win over the police is to destroy the 7-headed monster, the category A and B traitors from where they get their funding. Alternatively they should contribute to any of the other 7 non violent fronts described in this compendium. Sure, street protesting, front 7, is essential and important to prevent the ANTIFA from negatively influencing our other fronts. But there are ways to structure this front more efficiently. It is highly advisable to structure any street protest organisation after the English Defence League (EDL) model as it is the only way to avoid paralyzing scrutiny and persecution.

The system protectors of any given country can never be defeated nor should we ever try to defeat them. They are an undefeatable manifestation of the regime and they are easy to replace should some of them fall (unlike the category A and B traitors).

National anarchists must reject and ignore un-ressurrectable nationalist ideologies such as national socialism. Instead study the great nationalist revolutions and revolutionaries of our times. As of now, each fully motivated, well prepared and battle ready Justiciar Knight constitutes the same usefulness in our struggle as 1000 national anarchists. Now imagine the prospect of 1000 national anarchists adapting and embracing the principles and knowledge associated with becoming a Justiciar Knight. 1000 European Justiciar Knights spread all across a small or medium sized Western European country would be enough to bring that cultural Marxist/multiculturalist regime to its knees and would result in full capitulation (or would at least eventually lead to it). The potential and political influence carried within each and every national anarchist is enormous should he one day choose to follow in the footsteps of the Justiciar Knight.

1000 Justiciar Knights is of course a utopia, at least in the first part of phase 1, as most of the national anarchists simply do not have the knowledge and abilities required, and sadly most of them are unwilling or lack the courage to learn and adapt. My hope is however that some of them will, and thus will progress from the current valley of irrelevancy to living warrior legends of our struggle.

1. http://en.wikipedia.org/wiki/National_anarchists

Fight category A and B traitors NOT Muslims or ANTIFA (anarcho-Marxists/Marxist Jugend)

DO NOT for the love of God aim your rage and frustration at Muslims. Muslim or Paki bashing is a sure way to hurt our cause as this is what the cultural Marxist elites WANT you to do. They want you to waste your efforts on fighting Muslims and they will do anything to prevent you from aiming your efforts at them. They want the indigenous Europeans to busy fighting Muslims as that will guarantee their positions. We will never have a chance at overthrowing the cultural Marxist if we waste our energy and efforts on fighting Muslims.

This can easily be illustrated:

When the pipe in your bathroom springs a leak and the water is flooding the room, what do you do? It's not very complicated, after all. You go for the source of the problem, the leak itself! You DON'T mop up until after you have fixed the actual leak. Needless to say, our regime is the leak (all category A, B and C traitors), the Muslims are the water.

As such, ALL our efforts must be aimed at category A and B traitors with very few exceptions. The ONLY exceptions should be sabotage attacks aimed at infrastructure (to cripple/weaken the economy of our regime) and effectuate certain devastating strategic attacks during the Muslim Eid celebration - later in phase 1 and 2, in order to radicalise and manipulate the Muslim forces. The Muslim husbands, uncles, brothers and nephews will go absolutely nuts which will result in devastating Jihadi frenzies, substantially contributing to weaken our regimes further and at the same time create more recruits for our resistance movements. Muslims are our absolutely best recruitment tools. They act as indirect recruiters by using rape, assault, robbery, arson and murder, forcing their victims and their closest relatives/friends out of their coma.

Phase 1 (2010-2030) - priority

The ratio of attacks in phase 1 should follow the given guidelines: 90%+ aimed at concentrations of category A and B traitors and less than 10% on the other objectives.

Phase 2 (2030-2070) - priority

70% + aimed at concentrations of category A and B traitors and less than 30% on sabotage and other objectives.

We will focus on the Muslims AFTER we have seized political and military control. At that point, we will start deportation campaigns.

Anarcho-nationalism - Preservation of honour in relation to wild animals

As mentioned in another chapter; I have had my share of encounters with the Jihadi youth in Oslo. And every time I've decided to do everything to avoid conflict using drastic steps such as fleeing or, in cases where fleeing is not an alternative, used psychological defensive approaches to psyche out the individual (unexpected insults, threats).

So why didn't I fight? Surely, I had access to my band of brothers, loyal and proud friends, or a close and extended network of people willing to back me up, to help neutralise any imaginable threat. Yes, I did have this but chose never to use them or to call in favours. I also had access to weapons but chose to never use them.

So why did I act like a coward and avoided conflict or ran away in some cases?

My mentality towards Jihadi youth changed when I was 15. Jihadi youths usually act instinctively, with little concern for long term consequences, just like wild animals. In fact, I would say it is a lot easier to push the buttons of a Muslim bully than it is to provoke an actual wild animal.

If you are travelling through a forest and encounter a hostile wolf or bear, what do you do? You do the only thing rational, avoid conflict. You don't begin to wrestle a bear with your bare hands, as that would undoubtedly be completely idiotic and irrational. After all, it is impossible to lose face or honour to a wild animal. Every patriot should apply the

same logic in an everyday scenario. Avoid the wild animals and concentrate on the real issue which is seizing political and military control of our countries through meaningful and structured resistance efforts.

As for territorial/neighbourhood disputes

If you live in a neighbourhood that is in the later stages of turning into a Muslim ghetto then get the hell out. Yes, Europe is in the first stage of a civil war but you must never make your neighbourhood your battlefield. The primary essence of warfare is choosing your own battles. You do not let your enemies chose the time or place. Do not waste your life as a martyr trying to stagger a local Islamic tidal wave in your neighbourhood when it is already too late to save it. It is better to regroup and live to fight another day and reassess the real objectives. Taking reckless and unnecessary risks will only disallow you from playing a nation changing part through the Resistance Movement. Yes, you will be able to contribute but it is essential that you decide the place and time to fight and chose the right approach and the right arena for your fight.

In order to prevent Islamisation you must stop the FIRST Muslim moving into your neighbourhood and not wait until after 10-100 families have colonised your turf. Never allow a single Muslim to move into your neighbourhood. Talk to your neighbours; make local arrangements through efficient communication so that no one ever sells a house to a Muslim.

3.112 Estimating Western European battle-ready cultural conservatives 2009

“At Thermopylae, an army of 1 million Persians lost 20 000 troops, yet failed to disarm just 300 Spartans. 13 million armed and lawful Western Europeans would resist even harder. That we promise.”

Country	Population	Current state funded paramilitaries 1%	Current un-consolidated Battle-ready patriots 0,1%
France	65 million	650 000	65 000
Germany	82 million	850 000	85 000
UK	61,6 million	610 000	61 000
Netherlands	16,5 million	165 000	16 500
Belgium	10,7 million	107 000	10 700
Sweden	9,3 million	93 000	9300
Norway	4,8 million	45 000	4500
Luxembourg	493 500	4935	493
Switzerland	7,7 million	77 000	7700
Spain	46,7 million	467 000	46 700
Italy	60 million	600 000	60 000
Portugal	10,7 million	107 000	10 700
Denmark	5,5 million	55 000	5500
Ireland	6 million	60 000	6000
Greece	11,2 million	112 000	11 200
Finland	5,3 million	53 000	5300
Iceland	319 756	3197	319
Cyprus	793 963	7939	793
Malta	413 609	4136	413
Total	405 million	4 071 207	407 120

Numbers based on Norwegian estimates (vague estimates)

Estimate of our current and future base of active supporters/sympathisers

There aren't any representative statistics available for obvious reasons. However, good indicators are the statistics gathered among Muslims in the UK. Approximately 13% of young Muslims in the UK support Al Qaeda's goals while approximately 60% empathise with the same goals (understands their reasoning). It is unlikely that there are more Muslims in the UK who supports a Jihadi "conquest" than there are Europeans willing to defend themselves against such "conquest".

Here is an estimate (conservative estimate):

European Civil War, Phase 1 – 1999-2030 (Islam 2-20%)

- 5-13% of native Europeans and other non-Muslims support many of our goals through armed struggle.
- 20-35% of native Europeans and other non-Muslims support many of our goals through democratic struggle.
- 50%+ oppose mass Muslim immigration.

European Civil War, Phase 2 – 2030-2070 (Islam 15-50%)

- 15-20% of native Europeans and other non-Muslims support many of our goals through armed struggle.
- 40-50% of native Europeans and other non-Muslims support many of our goals through democratic struggle.
- 60%+ oppose mass Muslim immigration.

European Civil War, Phase 3 – 2070-2083 (Islam 30-60%)

- 20-25% of native Europeans and other non-Muslims support many of our goals through armed struggle.
- 50-60% of native Europeans and other non-Muslims support many of our goals through democratic struggle.
- 70%+ oppose mass Muslim immigration.

However, this does NOT mean that the majority of our sympathisers will join us in armed struggle. Most people refrain from reacting since they live in economic prosperity, and to stand up for their ideas would send them into suffering. However, soon enough we will have an economic downfall that will make the current recession look like a picnic. And then they will face suffering day in and day out. And at that point standing up for their ideas will come at no extra cost, since the suffering is already prevalent.

It's also important to remember that most of our broader base of sympathisers (60% of the population), even though they would fight for the sovereignty of our country, they will not take active steps against their government or leading cultural Marxist/multiculturalist leaders. They will be passive bystanders in phase 1 at least.

3.113 Assistance from our European-American/Canadian/Australian brothers in the European civil war

Just like Irish-Americans assisted the IRA over several years, European-Americans should assist their brothers in Europe. The fate of multiculturalism will be decided in Europe as the front lines of the war between cultural conservatives and cultural Marxists will be fought in major European cities. The reason is that the doctrine of multiculturalism could have actually succeeded if it weren't for Islam. You can't compare Christian Latin American immigration against mass Muslim immigration etc.

As such, when we defeat cultural communism/multiculturalism here (between 2050-2090), the US will most likely choose to adapt voluntarily or forcefully by the hand of their own people. The same will likely occur in Canada, Australia and New Zealand. When the outcome has been decided in Europe, the cultural conservatives of the US will rise and fight their own tyrant as they know they will have the complete backing of a strong Greater European cultural conservative Federation. However, Europe should not help directly as we can't risk a nuclear war devastating both the US and Europe.

This applies to our European-Canadian and European-Australian brothers as well. You know that your governments will be quick to follow given European regime shifts so it's in your interest to help out your French, British, German, Scandinavian etc brothers to defeat the cultural Marxists/multiculturalists here in European metropolitans. Travel here yourself, transfer funds, give your moral support, become a martyr in the fight yourself - anything will be greatly appreciated.

As you might have noticed, I've deliberately avoided analyzing the US and even Eastern Europe because the picture is much more complex there. I feel there are simply too many political variables in the US and Eastern European (especially Balkan) to create future predictions. Multiculturalism might actually succeed to a much larger degree in the US (or at least might prove much harder to counter) due to the much slower rate of Islamisation. The US government has also been very careful not to excessively flood the country with too many low educated, religiously conservative Muslims. On the contrary, most of the illiterate fanatical Muslims have ended up in Western European countries. This may prove to be a significant factor.

3.114 Participation from conservative individuals among the minority groups – Hindus, Buddhists and Christians

Everyone, absolutely everyone will have the opportunity to show their loyalty to our cause, including nationalist European Jews, non-European Christians or Hindu /Buddhist Asians. Our sacrifices on behalf of all groups do not come without duties however. Understand that if certain factions we reach out to do not respond to our calling in the coming decades it might contribute in the future to change the patriotic organisations ideologically – into a more ethnocentric line. At the same time, we are aware that a majority of minority interest groups are lead by leftwing individuals and as such it is easy to understand why they refuse to support any nationalistic groups on various fronts.

We are the leaders of tomorrow and everyone, absolutely everyone who supports our cause will have a place when we seize power. But it is also important to understand that groups who have a track record of disloyalty will be granted few concessions. It is simply the name of the game.

It is therefore essential that conservative individuals of all minority groups take responsibility and ensure that as many as humanly possible from minority groups will contribute and work with us. As of now in phase 1 (1999-2030), it is still possible to remain neutral without taking sides in the European civil war. But during phase 2 (2030-2070) most people will have no choice but to flag where they stand. Either you are with us, the cultural conservatives/patriotic movements or you are with the cultural Marxist/Islamic alliance.

I personally hope that we can count on our conservative Hindu, Buddhist and Christian allies from all minority groups. The only way to prevent ethnocentrism from prevailing completely is to ensure that all conservatives from minority groups takes responsibility and join our fight to take back political control from the cultural Marxists/globalists so that we may repulse Islam from Europe for a third time.

As of now, I still have faith that anti-Marxist/anti-Islamic individuals from all minority groups will deliver.

3.115 Defeating multiculturalism within the next 7 decades will involve the synchronised and combined efforts (unofficial) of 8 political fronts

"If not us, who? If not now, when?"

Hillel the Elder

Multiculturalism is a European hate ideology with the aim of destroying European identity, culture, traditions, moral, Christendom etc (western civilisation). A war against the MA100 (the 100 European political parties supporting multiculturalism) and other criminal organisations cannot be won by one "front" alone. The doctrines of multiculturalism/cultural Marxism are manifested and propagated through several political fronts in Western Europe:

1. Journalists/MSM (propagating their world view to the masses) 99%+
2. Teachers/professors etc. (propagating their world view to students) 90%+
3. Politicians 70-90%+ (10% are hardcore Marxists, 20% are dedicated cultural Marxists, 65% suicidal humanists or career oriented cynisists, 5% capitalist globalists)
4. Community voices - Marxist/humanist/globalist controlled NGOs + writers, artists, intellectuals and community debaters (individuals in various fields who are propagating political views) 90%+
5. Various political activists including investors, bloggers and various online activists >50%
6. Church leaders (using their influence to propagate conservative church values and classical cultural conservative doctrines) 50%
7. Street activists (AFA, UAF, EDL etc.) 90%
8. Armed resistance groups/assault cells, freedom fighters

% indicate the unbalance between the Marxist and conservative forces.

We, the cultural conservatives, already have an ocean of bloggers and essay writers. The problem is that we are failing to penetrate PC censorship (controlled by our enemy) and reach out to the masses. The only rational approach is to attempt to accomplish two things:

1. Create a large cultural conservative news agency with national coverage in each country who lacks it (critical of multiculturalism/cultural Marxism). Brave individuals must take the initiative ASAP to act as an intermediary in order to arrange meetings with cultural conservative writers/bloggers/journalists, investors, NGOs and political parties. There should be at least one alternative with national coverage in each country.
2. Continue to involve Europeans on all levels (develop organisations like SIOE, EDL etc. and strengthen all 8 fronts).

A few years ago I would probably reject those organisations because I wanted to be "politically correct". I have changed as an increasing number of Europeans seem to do as well. However, the overwhelming bulk of Europeans are still unfamiliar with the truth. It will be our primary task to open their eyes.

Regarding the synchronised efforts of the various fronts: it's essential to understand that Marxist organisations like for example UAF/AFA (violent extreme left wing organisation – also referred to as the New Hitler Jugend) are working in tandem with the Labour Party and similar parties (moderate left, centrists). Just like Al Qaeda is working in tandem with peaceful Muslims in a way. We have to choose the same approach instead of

condemning everything we don't personally support 100%. You can't let the fear of tarnishing your personal image prevent you from doing the right thing anymore. Wake up.

We have to understand the bigger picture. Articles, journals and magazines are only one front of cultural conservatism. Rejecting the other fronts would be completely counter-productive and illogical.

In every political struggle regardless of the side you are on there will always be several fronts. If you reject any of these fronts you have already lost. Detesting and condemning the 8th front is considered logical and necessary in phase 1 as we are too weak at this point. If you justify the execution of traitors at this point you are likely to lose your job and be persecuted. So at least publicly, you should condemn the 8th front. The brave men and women in the 8th front won't be offended. They are professionals and would probably do the same, for tactical reasons. War is deceit after all, as Muhammad stated more than 1400 years ago.

Publicly distancing oneself from the 8th front (armed resistance) is necessary for many in phase 1

Open support for armed resistance/shock attacks etc. is counterproductive and can result in you personally being incarcerated. You should always detest and condemn (publicly) this form of activity as long as we are at a disadvantage.

The eighth front of the resistance movement

Military personnel/paramilitary personnel/armed resistance fighters/military martyrs/shock troopers – they go by many names. Obviously, everyone has to “officially” condemn violent actions although the majority (or at least a large portion) will support them unofficially. The ninth front can also be divided into two categories. A “shock trooper” or a “saboteur” will be an important aspect in especially phase 1 of the ongoing civil war. Shock attacks and arson attacks will prove to be very effective. The goal of the saboteur or shock trooper is not to dominate militarily but rather to cause fear, chaos, damage, demoralise the enemy etc. He will never actually be in a position to effectuate a coup as this type of operation is dependent on perfect timing, a large network of operatives and appropriate circumstances. It is still premature as of 2010 as we still lack the sympathy and loyalty of the required number of military officers and other strategic personnel.

Every front is extremely important. You cannot overthrow a regime without representation from all fronts; at least it would be much harder. If you reject the street activists, what would happen? The rival counterpart, Marxist lynch mobs won't have any competition, they will go idle and will start to harass our other fronts - politicians, journalists, NGO leaders, online activists instead. This is why we can't ignore any single front when you are a part of a political fight. All fronts serve their purpose.

In order to win the fight, you can't reject any of these fronts, but instead work so that they are ideologically synchronised with one goal (to replace the Western European regimes). This is how the left does it and this is how we must do it. It's not very complicated. It just takes some time getting used to the idea if you aren't an individual who has been indoctrinated in the multicultural system for decades.

Unbalances in the fronts

The nine different fronts should work like an organism. If there is an imbalance in one front, it will influence the others.

To illustrate. 7. Street activists

Most "normal middle class people", who oppose the ongoing Islamisation of our countries, are afraid to demonstrate in the streets due to the fear of Marxist and Muslim lynch mobs. The multiculturalist government and the journalists are to blame why these Marxist/Muslim lynch mobs are allowed to roam our streets. It's important to understand that these mobs act as an extended arm for the multicultural government with the goal of silencing political dissidents (cultural conservatives).

If the people had a strong alternative to these lynch mobs then these organisations would have their hands full and would not have the capacity to harass the other "fronts". As a result, there would be no fear from the masses (middle class normal people) and they would participate and demonstrate or get involved in other areas. As such, a large proportion of the silent majority are individuals living in fear, reluctant to say anything as they know protesting on the street would involve certain beatings and harassment, with their face plastered in the news papers the next day labelled as Nazis.

We can't win against cultural Marxism/multiculturalism with only one single front. We need all 8 fronts, ideologically synchronised, street activists included and we should work for exactly that.

If we see an emerging cultural conservative organisation who has a couple of racists in it, instead of contributing to destroy/reject that organisation it's our duty to rather go in and help streamline it so that it is more synchronised with our standpoints. We have to immediately stop doing the dirty work for the multiculturalists. Rejecting these organisations (if you are a cultural conservative) is the equivalency of ideological suicide.

If our criminal traitor elites wanted peace with their people they would offer and reserve at least 50% of the positions of front x, x and x to cultural conservatives only. However, it's too late for that now. These criminals have already allowed more than 25 million Muslims inside the European gates. All category A and B traitors will be executed for their actions eventually. It will take us 70 years but we will succeed.

Front 5 – Ideologically driven entrepreneurs – involving European investors for the purpose of funding the various fronts in phase 1, 2010-2030.

Efforts must be made to convince, recruit and consolidate/include major investors to form un-official networks with the goal of buying controlling shares in strategic media companies. The primary goal is to control at least one major newspaper with national distribution in each country. As soon as the network gains control of the board all top and medium level managers will be replaced with cultural conservative minded individuals. There must be at least one major media company that has the courage to operate outside the boundaries of political correctness and is bold enough to tell people the truth about multiculturalism, the ongoing Islamisation and the individuals responsible.

All we need is one single individual in each country, preferably a business minded person with contacts among the cultural conservative movement. He will create/fuse a network/organisation with the sole purpose of bringing the right people together. A small team of 1-5 people will then call every individual in that country with for example a net worth of more than 100 million Euro and sell in the concept/explain our purpose. Remember, we only need one or two large investors' minimum. This should be possible

as approximately 35-50%+ of capitalists are cultural conservative and critical of multiculturalism and the ongoing Islamisation. An estimated 5-10% of these individuals are ideologically confident enough to at least contribute anonymously, aprox 1-2% are ideologically confident enough to contribute in an official manner. All we need is an individual or two who are willing to start this process and ensure that the ball keeps rolling.

Prior to this process, seeing that individuals depend on an income, it should be created a fund for the sole purpose of contributing with "seed capital" to these type of "ideological driven business entrepreneurs".

3.116 An official request/plead to all European patriots - Required administrative high priority tasks/objectives

Being a part of the European resistance movement involves participating in one of the 8 cultural conservative political fronts as a direct or indirect political activist. As long as you share some of our political views and indirectly or directly work to influence those around you, you are per definition a political activist. Most people are political activists without even knowing it. The 7 "accepted" political fronts are the fronts that operate within the boundaries of the law. They consist of first and foremost; working as a cultural conservative professor/teacher/lecturer at a university, working as a journalist/writer for conservative media companies or internet sites, working for an NGO (non-government organisation), working as a politician, working with intellectual tasks (analytical, literature etc) through essay writing, blogging and news commenting and finally being involved with street protesting (EDL – English Defence League). All the mentioned tasks constitute the legal and accepted aspects of "political resistance" against political correctness/cultural Marxism/Islamisation etc. Then we have the illegal 8th front – any involvement in the military (or armed) struggle.

If you think assisting the PCCTS, Knights Templar in any way will involve any military or violent actions, you are wrong. Working for the resistance movements in general almost always mean participating in legal resistance and will and should not in any way be associated to any armed resistance movement. Currently, 99,9% of individuals involved in the European resistance movements have never done anything illegal and will and should continue to operate within the law. Most individuals are not even aware of the fact that they are working indirectly for the European resistance movements when they work against the cultural Marxist/multiculturalist regime.

Considering the fact that there are currently less than 100 individual Justiciar Knights spread all over Europe we hereby ask for assistance from our European brothers and sisters. On behalf of PCCTS, Knights Templar, we ask that any and all civilian sympathisers lend us their assistance with reaching the following objectives. A primary task should be to send out the truth (as described in the compendium 2083 – A European Declaration of Independence) which includes an "indirect invitation to join us in armed resistance. It is absolutely essential that people are presented with the truth ASAP before Europe is allowed to be further consumed by Islam and its facilitators. It will be up to each European if he or she decides to heed our calling or if he/she would like to wait until a later time. Keep in mind that only a small fraction (in phase 1) of resistance related work involves military objectives (less than 1%). More than 99% of resistance related work revolves around the 7 other non-violent fronts (everything from anti-Sharia blogging, essay writing to working for patriotic political parties or NGOs). A very important aspect of this non-military effort will involve indirect recruitment work for the armed European resistance movement. Our objective is to consolidate all good forces in

Europe. We are growing every single day but we must do even more to increase the ongoing political momentum.

A plead to all European patriots

We hereby ask any and all European patriots to actively target all members of patriotic related Facebook groups (and non-FB networks) and invite them as friends, then send this compendium to all members of these related groups. Adding 5000 friends will take you 200 days with a 50% acceptance rate from one account (50% of the people you invite accept).

All patriotic groups on Facebook total more than 2 million so it is quite the task to distribute the compendium to all of these people. However, it is the most efficient way to contribute to spread the knowledge and invite or remind people of their duty to join one of the various European resistance movements.

Distributing it to all military and police personnel in Western European countries is a prioritised task. So is distributing it to all parliamentarians, journalists and cultural leaders of both left and right. This will probably be the most important task. Before or after the compendium is translated, research the email addresses of as many military and police personnel in your country and send them an electronic version of this compendium. Getting the truth out to all military personnel and police officers can prove to be the most important task of all. A majority of them already sympathise with our cause (although not all our methods) but it is crucial that they are aware of the current status of the resistance movement for future consolidation and cooperation.

To research military related addresses check Facebook related groups and invite all you suspect of being in the police force and military. Join organisations related to the military/police and use any method to gain access to military/police email databases.

Essential administrative objectives - specified

1. Please contribute to distribute the book, 2083, through Facebook groups or direct distribution through Facebook networking/email-farming of nationalistic/patriotic/anti-Islamisation groups in your country. Inviting 10 000 individuals from a group called f. example "Stop Islamisation" will take you 100 days if you have 2 accounts. 10 000 invites will result in aprox 4000 email addresses (only 50% will accept invitation and 80% have email addresses on their profile). This ratio is possible if you have a quality profile. Direct and completely legal marketing efforts like this are an essential method in order to contribute to consolidate and grow nationalist forces in Western Europe.
2. Send the compendium to ALL members of parliament in your country. Research and acquire the email lists of all political parties in your country and send each member of Parliament the compendium. After all, if they do not know our demands of the PCCTS, how can we expect them to act? If you research thorough enough political sites on a local level you will eventually find the email addresses to all parliament members. The more of these individuals are presented with the truth the more will defect now or at a later point. And some might join resistance movements.
3. Send the compendium to all journalists in your country. Researching the email addresses to all the journalists of a news desk should be easier than 2.
4. Send the compendium to all military and police personnel in your country. This must be a prioritised task as we rely on their future vigilance and cooperation. Researching these email addresses will be quite difficult but MUST be a prioritised task. Approximately 60% + of all military and police personnel sympathise with our cause (if not with our methods).

Getting enough contributing sympathisers or even agents within the police/military force will prove to be crucial especially in phase 2 (2030-2070). A tip for collecting email addresses to military or police personnel is to go to memorial sites of fallen Afghanistan soldiers or other types of military sites.

5. Continue to develop 2083, A European Declaration of Independence. This compendium should be considered a draft and everyone with intellectual talents and capacity should contribute to develop it further and create better and more thorough editions. Just call the next edition; 2083, Edition 2 etc. Keep the language light so that it doesn't become too academic. This will also make it more accessible and easier to translate. You didn't like a specific chapter? Then make it better or replace it with something better. For strategies relating to collective editing, you can consider to create an online Wikipedia type solution which allows other members of the group to contribute. Obviously, no administrative members can or should have any ties whatsoever with front 8 (armed resistance groups) as a precaution for your/their own safety. Make sure that you do not break any "hate speech laws" and you should be fine. See your country's specific legislature for details)

Creating a European database – the mapping of category A and B traitors

The individual mapping of cultural Marxist/multiculturalist category A and B traitors through Facebook cooperation should be a prioritised task.

Create national/pan-European Facebook groups (perhaps affiliated to a site not affiliated with Facebook (and hosted in Antigua or another tax/law-haven) with the intention of creating a database over all known cultural Marxist category A and B traitors.

It is essential that you conceal this group by making the group as "innocent looking" as possible and the group(s) MUST NOT reveal its true intent, as this will violate the Facebook guidelines. One example is using a known legal and accepted template and perhaps even making it slightly more innocent looking – such as the AIM Facebook group:

AIM – Americans for the Impeachment of Marxists (in our case: Europeans for the Impeachment of Marxists)

Description (mirror, just modify the text to make it reflect European factors, for example mapping all pro-EU individuals (ALL pro-EU politicians are cultural Marxist and/or multiculturalists):

Mission - To identify all Marxist sympathisers in the US Government and call for their immediate impeachment.

Help us find 1,000,000 Americans who support AIM by the end of 2010! If you support AIM, please suggest this page to ALL of your friends, family and those of like mind!

How to invite friends:

- ▶ 1 - Join this group.
- ▶ 2 - Click on "Invite People to Join" button in the right menu.
- ▶ 3 - Select all of your friends. (You must click on each)
- ▶ 4 - Click on the "Send Invitation" button and you're done!

God Bless America!

We are calling for the impeachment of ALL Senators and Representatives who have voted, or are planning to vote, to expand the control of government.

Republican/Democrat/Independent... no matter. We determine their guilt or innocence based on their voting record.

Additionally, we are calling for President Barack Obama's Impeachment for actually saying he was a Marxist, as well as not being able to provide proof of American citizenship.

We are calling for all Conservative Members of The House of Representatives to bring all leftist voting members up for impeachment under the guise that they are voting in accordance with Marxists beliefs in order to expand government control over every facet of our lives. Because it is unlikely that Congress will impeach itself, it is our sole purpose to have these leftists labeled Socialist/Marxists so that their constituency can see them for what they truly are and fail to re-elect them in the future. Any damage done to this nation should be squarely placed on their shoulders and worn for life. These men and women are a disgrace to their offices, and should therefore be labeled and removed. We know it sounds old fashion, but folks... we can no longer afford to be lenient in the description of those that are harming America. Call a spade a spade.

So Far... AIM has Identified the following Senators: (AGAIN... We DO NOT determine association with Marxists beliefs according to party affiliation, only voting record. Additionally, this list is incomplete and growing. If you have someone you believe should be on it, please let us know. Currently we are looking for more Republicans that deserve the label "Marxist.")

ALABAMA:

Rep. Bud Cramer (D)
Rep. Artur Davis (D)
Rep. Bobby Bright (D)

ALASKA:

Sen. Lisa Murkowski (R)
Rep. Mark Begich (D)

Etc.

We are calling for the immediate impeachment of all government representatives who vote in accordance with cultural Marxist/multiculturalist/Islamisation views to expand government, raise taxes, and destroy civil liberties. They are guilty of treason and should be tried as traitors.

Battlefield Wikipedia (see European resistance fighters and the importance of an appealing image and ideology - efficient marketing techniques)

3.117 Using Facebook and other social networking sites as a platform to consolidate and grow the European resistance movement

If you are a European patriot and you are not on Facebook you need to shape up and adapt. Get on Facebook now and start to network with fellow patriots in all European countries.

Online social networking sites will be essential in the decades to come for consolidation/recruitment purposes. Our struggle is not local; it is pan-European and is going on in all countries where Europeans live (inter-European). Our struggle should of course be on a local community level but it must be combined with the broader struggle. What happens in France in the different fronts will influence the UK for good and for worse. For example a brilliant English rhetorical analyst should be able to help and coach intellectuals in all countries in an easy way through Facebook groups.

When you invite an individual to your Facebook network you will gain access to their email address. You then collect the email addresses as you get more and more contacts. When you reach your designated goal (for example 5 000 collected email addresses) you send the electronic version of the compendium (as a PDF attachment) with the introduction message. Depending on the quality of your email list many who receive the compendium will decide to read it and may be inspired to join one of the 8 European political resistance fronts. Of course, you will only manage to acquire 20-40% of the email addresses of the targeted groups. Nevertheless, plead and ask that they distribute it to their networks, their colleagues, families and friends so that everyone receives an electronic version. I honestly believe distributing this compendium to as many European patriots (and "potential patriots) as humanly possible is the most potentially rewarding administrative resistance task anyone can contribute to. All individuals will be presented with many aspects of "unknown" truths and they will be inspired to join the resistance in some way!

Please distribute this compendium to all individuals in the following groups (and similar "patriotic" groups - through their email:

Large patriotic Facebook groups - pan-European groups:

- Take America Back (19k members)
- English Defence League (11k members)
- Ban Islam!! (3k members)
- Stop Islamisation, wake up Europe (3k members)
- Stop Islamisation of Europe (5k members)
- Stop Islamization of America (3k members)
- Contre l'islamisation de l'Europe / Against Islamisation of Europe (13k members)
- I Support Israel in the War Against Terrorism (72k members) this groups is full of Western patriots (Euro-Americans), not particularly targeted at European nationalists though. Geert Wilders (fan page – 5k members)
- Fan pages of every European right wing political party (100-200k members)
- Take America Back

Use your imagination; there are hundreds of patriotic Facebook groups out there from moderate to more extreme visited by up to 10 million European patriots. Target all! We have the truth on our side, and the truth must get out.

Don't be lazy and think that merely posting the compendium link on groups will be enough. You have to be a lot more thorough than that which will involve hundreds perhaps thousands of hours invested, inviting each and every member of the group to acquire the individuals email address. I spent thousands of hours doing this over a duration of more than 6 months (from 2 Facebook accounts) and I, alone, managed to send the compendium to more than 8000 dedicated nationalists this way. If only 100 of these 8000 heed the call we will be able to send the compendium to 800 000 nationalists! Please, DO NOT think that others will do this work for you. No one else will. If you are unwilling to do this, we have lost. Please, for the love of anything worth

saving, DO NOT assume that others will do this, because they will not! The fate of Europe lies on your shoulders. This is the only correct and productive attitude.

National (regional) groups:

Groups for each country or regional groups, f example:

- Jeunesse identitaire Européenne
- Nei til mer Islamisering av Norge (21k members)
(Translation: No to more Islamisation of Norway)

There are several hundred groups full of patriots who should be targeted!

The potential is ENOURMOUS and our support base (Europeans opening their eyes) is increasing every single day!

Please contribute to help us win this 70 year war by getting involved with this essential task today. I know it's tempting to be apathetic and let "the others" do this job. Unfortunately, there is NO OTHERS, it is only US. If you chose to ignore this task, no one else will do your job for you.

The only individuals who should be spared from administrative tasks are brave heroes fighting in the field. It is not recommended that they contribute to administrative tasks prior to operations as it will increase the risk of ending up on watch lists.

If you don't agree with all the points in the compendium, simply alter it to your own liking. The important thing here is to:

- Stop the ongoing indirect genocide of everything European
- Stop the European hate-ideology known as multiculturalism
- Expel Islam from Europe for a third time

This can only be achieved by seizing political and military control. As long as you agree to these three points there is absolutely no reason why you should refuse to contribute (due to secondary disagreements). It is your own choice whether you put your own ego or European values first, but refusing to participate by ignoring the calling will only serve to contribute to our collective demise.

Non-European Facebook groups

National Security Guards (NSG), India (11,5k members, Indian nationalists)

3.118 Online “recruiters” for patriotic armed resistance movements/8th front – a primary administrative tasks

We will in the coming decades (from 2010 and beyond) need leaders/initiative takers/administrators that will use the internet/Facebook and other online networks to preach and propagate armed resistance against the cultural Marxist hegemony. Seizing political and military power in your Western European country is the only way to ensure deportations of the Muslims from Europe and actual self-determination for our people. This should be done using approaches not conflicting with the laws in relation to hate speech. It is a lot you CAN say without breaking any laws. As long as you do not propagate use of violence against specific individuals or specific groups (political parties etc.) you will not break any laws and can therefore call for all Europeans to join our pan-European or national resistance movement. Use the intellectual material and justification presented in this compendium (charges 1-8) to justify armed resistance against the Marxist-Islamic alliance f. example. Create a Facebook group or fan page and start marketing towards patriotic Facebook groups, or ask your FB contacts to invite their friends etc. You can arrange online presentations on behalf of your own group or be a “guest presenter” at other groups and forums. This does not have to be limited to the online sphere. You may visit camps, concerts, festivals or conventions and hold your presentations to like minded individuals or sympathisers of our cause. Be smart, be resourceful and creative.

This is how Islamist organisations are rallying support for their cause (Global Caliphate) among their Muslim brothers in Europe. And this is how we will rally support for our cause. They have their mosques and the same spheres. We will use our own forums. It is probably the most efficient way of converting sympathisers to actual soldiers and MUST be a prioritised task in the decades to come. The essence of these efforts is to channel and structure all the resentment towards our elites into constructive action UPWARDS (against category A and B traitors), NOT downwards or sideways against the Muslims or ANTIFA.

Preventing prosecution while doing administrative resistance work - knowing the definition of censorship legislation [1]

Hate speech is speech perceived to disparage a person or group of people based on their social or ethnic group, such as race, gender, age, ethnicity, nationality, religion (not Islam is this is a political ideology), sexual orientation, gender identity, disability, language ability, social class, occupation, appearance (height, weight, skin colour, etc.), mental capacity, and any other distinction that might be considered by some as a liability. The term covers written as well as oral communication and some forms of behaviours in a public setting.

In many countries, deliberate use of hate speech is a criminal offence prohibited under *incitement to hatred* legislation. Hate speech does not however include criticism of political ideologies. As long as you use vague rhetoric there is no way the hate speech legislation can be used against us. F example, instead of using the words kill, execute you can use the word punish when referring to how the so called category A and B traitors will or should be treated. This is something Muslims are using when they preach “Jihad against the infidels”. The terms are vague so it is impossible to prosecute them.

1. http://en.wikipedia.org/wiki/Hate_speech

3.119 Teach your children the truth and do not allow them to be indoctrinated by cultural Marxist/multiculturalist propaganda

Having many children is pointless, even counter-productive, if you fail to teach them the truth and allow them to be indoctrinated by cultural Marxist/ multiculturalist propaganda. You are practically a God in your children's life and exercise unrestricted influence until they are 14 years, so use this time wisely to ensure that they adopt your world view.

It is essential that you teach them about the hate-ideologies known as multiculturalism and Islam and that you teach them about the category A and B traitors and at least the basics of our patriotic struggle.

3.120 Christian/nationalist consolidation and considerations in Muslim-dominated Western European prisons

Although Western European regimes do not normally allow conventional torture, they actively use indirect torture as a method to torment right wing political dissidents. They do this by placing us, the nationalists and Crusaders together with Jihadists and therefore indirectly use the Muslims as a tool for torture and/or murder of our brothers. By preventing Christian-Islamic segregation in Western European prisons, and considering the fact that they knowingly place Crusaders or Jihadists in the same "cage" they are fully responsible for the atrocities committed by Muslims against any and all European conservative/resistance fighter/Crusader in prison. Many of our European brothers in the prison systems are often harassed beaten and forced to convert to Islam or suffer the consequences.

This scenario can be compared to that of the early Knights Templar's during the Crusades. On some occasions, Knights Templar's would be captured by Muslim forces and forced to reject God (even to spit on the cross in many cases) and convert to Islam. This is why our ancestors created several counter measures and developed simulations to coach their soldiers in how to prevent death by deceiving the enemy. It is accepted to reject God and even to spit on the cross as long as your heart is pure. It is permitted to pretend you are converting to Islam as long as you do it to prevent murder or torture and as long as you repent later. War is deceit, after all. Knights Templar military training, almost 1000 years ago, included several of these simulations. In retrospect, these practices lead to heresy charges brought by the Catholic Church against the Knights Templar, although it has later been proved that this was propagated by corrupt Church leaders conspiring with the French king.

Western European prison systems and Islam

These practices of consolidation and proper coaching must be revived now as we are in the start of the current European civil war, and the third large Crusade. The conservative/nationalist forces of Europe will not be in a position, for at least several decades, to mass deport Muslims so we must suffer under Islam for many years to come. In the mean while, it is essential that we do everything in our power to consolidate and coach our brothers and sister to tackle the current hardships, especially in the prison systems. Because in Western Europe, as of 2010, Islam dominates an increasing number of European prisons and are forcefully converting many of our brothers just like they did 1000 years ago. The criminal multiculturalist regimes refuse to segregate

Muslims and Christians (even Crusaders and Jihadists), so in turn; many of our brothers are currently suffering under prison-dhimmitude/slavery.

Consolidation is survival, apathy means death

Naïve Marxist-humanist principles of the bourgeois carry little merit in Western European prisons where principles of natural law is dominant in many if not all aspects of the system. A Justiciar Knight will therefore find himself under circumstances where he will be able to befriend many likeminded individuals who have similar political views. However, he should be well aware of the growing Islamist criminal networks and certain sell-out European traitors who have embraced the Islamic cause.

It is our, the incarcerated Justiciar Knights, responsibility to attempt to consolidate European anti-Jihadi forces in our Western European prison systems so that non-Muslims (especially European Christians but also Christian agnostics and Christian atheists) are in a position where they can resist dhimmitude (harassment/slavery) within the walls of our prisons.

European patriots should take steps to create a Crusader movement within our prison systems with the intention of offering protection to all individuals involved with the movement. Optimally, the movement should be political (nationalist) and not based on ethnocentrism; offering membership to all non-Muslims. Realistically however, it is naïve to assume that a prison movement of this calibre would form on the basis than anything else than ethnocentric lines. It is up to each and every incarcerated Justiciar Knight to take the initiative to form prison movements. Justiciar Knights are often resourceful and idealistic enough to make such ventures possible, and in light of their achievements, they carry much credibility and will often be considered at the top of the unofficial prison hierarchy. It is however, not realistic to form European prison movements based on the principles of the PCCTS, Knights Templar as it is often the "laws of the jungle" and pure and cynical natural laws that take precedent in prison.

Any Justiciar Knight, in any of the Western European prison systems attempting to form prison movements, is limited to and is forced to conform to his environment. The Justiciar Knight will quickly be labelled as a "moronic preacher" if he tries to shove the "codex of the selfless perfect knight" down the throat of hardened and often self centred criminals which in turn may undermine his efforts. He must therefore be realistic and adapt to his environment and "speak a language which can be understood".

Prison networks are often formed based on the pursuit for control of specific financial segments within the prison walls; f example the drug trade, access to cell phones and other goods etc. It is not necessarily desirable or smart move to attempt to undermine established non-Muslim prison hierarchies. Optimally, the network in which we will attempt to establish will optimally be purely based on political, cultural and religious consolidation.

Efforts to consolidate and recruit patriotic resistance fighters in Western European prisons must be a prioritized task the coming decades. Prisons are considered an ideal arena for which to recruit for political purposes. Measures must be taken by patriotic minded individuals in order to contribute to recruitment to the European Resistance Movement. One of our primary goals should be to transform the Western European prison systems into "training barracks" from where we draw many of our forces.

The strategies should include:

Creating a rival and equivalent European/Christian prison network to that of the Islamic networks

Intimidating and threatening prison staff and other inmates who are attempting to undermine our efforts if necessary

Using prison visits to communicate with followers and allies in the outside world. Visitors may also be used to forward messages to be displayed and published online (on facebook, twitter and forums and sites)

Holding alternative Sunday prayers to draw other prisoners away from the official prison services

Producing and distributing ideological literature within, and for distribution beyond the prison population with the intention of convincing our brothers to join our struggle to reclaim our countries through military means

Distribution of literature written by sympathetic figures, who has spent time in jail themselves, will have more appeal than literature from academic "rocking-chair-generals"

Western European Civil War Phase 2

European Civil War, Phase 2, 2030-2070

- Islam, 15-60% based on country
- Consolidation continues, more advanced forms of resistance groups.
- Preparation for pan-European coups.

3.121 From clandestine cells to more advanced military movements

Considerations:

1. Traditional: the slowest to form, this reflects a principally indigenous insurgency, initially with limited goals. It is more secure than others, as it tends to grow from people with social, cultural or family ties. The insurgents resent a government that has failed to recognise cultural groups "who perceive that the government has denied their rights and interests and work to establish or restore them.
2. Subversive: Usually driven by an organisation that contains at least some of the governing elite, some being sympathisers already in place, and others who penetrate the government. When they use violence, it has a specific purpose, such as coercing voters, intimidating officials, and disrupting and discrediting the government. Typically, there is a political arm (e.g., Sinn Fein or the National Liberation Front) that directs the military in planning carefully coordinated violence. "Employment of violence is designed to show the system to be incompetent and to provoke the government to an excessively violent response which further undermines its legitimacy." The Nazi rise to power, in the 1930s, is an example of subversion. Nazi members of parliament and street fighters were hardly clandestine, but the overall plan of the Nazi leadership to gain control of the nation was hidden. "A subversive insurgency is suited to a more permissive political environment which allows the insurgents to use both legal and illegal methods to accomplish their goals. Effective government resistance may convert this to a critical-cell model.
3. Critical-cell: Critical cell is useful when the political climate becomes less permissive than one that allowed shadow cells. While other cell types try to form intelligence cells within the government, this type sets up "shadow government" cells that, once the system is destroyed both by external means and the internal subversion, until they can seize power. This model fits the classic coup d'état, and often tries to minimise violence. "Insurgents also seek to infiltrate the government's institutions, but their object is to destroy the system from within." Clandestine cells form inside the government. "The use of violence remains covert until the government is so weakened that the insurgency's superior organisation seizes power, supported by the armed force. One variation of this pattern is when the insurgent leadership permits the popular revolution to destroy the existing government, then emerges to direct the formation of a new government. Another variation is seen in the Cuban revolution and is referred to as the foco (or Cuban model) insurgency. This model involves a single, armed cell which emerges in the midst of degenerating government legitimacy and becomes the nucleus around which mass popular support rallies. The insurgents use this support to establish control and erect new institutions."
4. Mass-oriented: where the subversive and covert-cell systems work from within the government, the mass-oriented builds a government completely outside the existing one, with the intention of replacing it. Such "insurgents patiently construct a base of passive and active political supporters, while simultaneously building a large armed element of guerrilla and regular forces. They plan a protracted campaign of increasing violence to destroy the government and its institutions from the outside. They have a well-developed ideology and carefully determine their objectives. They are highly organised and effectively use propaganda and guerrilla action to mobilise forces for a direct political and military challenge to the government." The revolution that produced the Peoples' Republic of China, the American Revolution, and the Shining Path insurgency in Peru are examples of the mass-oriented model. Once established, this type of insurgency is extremely difficult to defeat because of its great depth of organisation.

3.122 Objectives in Phase 2

Continue to build and consolidate our base of support

Continue guerrilla warfare against the Multiculturalist Alliance through a constant campaign of shock attacks. The objective is to continue to demoralise them. It is a simple strategy of repeated pin-pricks and bleedings that will sap the will of the MA to continue the fight.

By carrying out courageous actions, the Justiciar Knights will illustrate to the people that the powerful are vulnerable. This will inspire admiration and respect, not only with the people, but often in the ranks of the military and police as well. There are numerous incidents of high-ranking officers in the military or police force, disgusted by the attitudes and behaviour of the ruling elite, who would withdraw their troops and withhold them from the fighting, and in some cases even pledge themselves to the revolutionary government. This happened in Spain, in Russia, in Mexico and to a lesser extent in Central America, as well. Displays of bravery coupled with upright behaviour can win over to the guerrilla's side those who have been apathetic or even opposed to their actions. Not all who serve the powerful enjoy their roles.

Go to great lengths to map individuals in the intelligence bureau for potential recruitment. Our biggest strength is that we know that around 40-50% of all men sympathise and around 60-80% of all men empathise with our cause. The numbers for females are 10-20% and 40-50%.

Use any means necessary to map employees in your National Intelligence Agency. Identify candidates that are likely to be recruited based on this screening process. Single men from 30-60, who live close by (or have earlier lived in or close to) Muslim ghettos are logical choices. The chance will increase if that person have had military service in a Muslim country or served as a "street officer" in the police force. An individual who has had close contact with Muslims in the past usually have a negative view on Islam and are thus likely candidates.

Clandestine Cell Systems

Solo and duo cells will play an important part in Phase 2 as well. It might be time to experiment with larger cell structures (3-4 with an external case officer). Each clandestine cell operator knows the people in his own cell, perhaps the external case officer, and an emergency method, not necessarily a person, to contact higher levels if the case officer or cell leader is captured.

Compromised brothers

Brothers who have been compromised (flagged and under surveillance by the national intelligence agency) will not be able to continue contact with any cell. He can however, on his own initiative prepare and execute solo missions, either PR stunts or solo military operations against any target. Non-violent publicity stunts can be as valuable as military operations in some cases.

3.123 Creating a PCCTS/Knights Templar political wing

The rationale for the overt political-covert military split is to avoid the inflexibility of a completely secret organisation. By splitting, the public issues can be addressed overtly, while military actions remain covert and intelligence functions stay clandestine.

However, even though no direct ties, a political organisation affiliated with a "terrorist military wing" will result in various forms of persecution of the individuals involved. It will most likely result in the leadership giving in to pressure, bribes and as a result granting concessions (which the military wing disapproves of), as we saw with the IRA case. On several occasions we have witnessed that after successful terrorist operation, EVERY known affiliate will be arrested and "harassed" in various ways.

To avoid this, the political wing can have NO contact whatsoever with the military order. The political organisation must be completely separate. This applies to the paramilitary organisation as well.

The overt organisation must condemn all acts committed by the military order. If they don't, they too will be considered as terrorists.

The only really potential danger is if the leadership of the "legal" organisation gets compromised (or just decides to stop supporting the cause). Every measure must be taken to ensure control of the "legal" organisation. The government will likely attempt use any means necessary to corrupt the organisation, through bribes, threats etc. If this occurs counter measures must be implemented to ensure control.

The whole purpose for the "legal" organisation is to function as an "indirect" marketing channel for the covert military order. A deceitful approach is therefore essential (speaking with two tongues).

3.124 A politically incorrect guide to the lynching of multiculturalist traitors (phase 2 and 3)

One of Western Europe's biggest historical mistakes was not to punish/execute Marxists after WW2. Marxists who went into hiding during WW2 resurfaced and came back to Western European societies after the war. Most of the lynchings were aimed at the National Socialists while the Marxists for the most part were left in peace. As we all know, that generation of Marxists were going to be instrumental in development and propagation of cultural Marxist doctrine in Europe two decades later, which would later be known under the name multiculturalism. If we had executed let's say, 100 000 Marxist intellectuals in Western Europe after WW2 and banned all form of Marxist doctrine we could have prevented the creation of the anti-European hate ideology known as multiculturalism. It's absolutely essential that we, the cultural conservative patriots of Europe do not repeat this mistake again. All our efforts must be to target and execute the multiculturalists wherever we find them in Phase 1, 2 and 3 of the European civil war. This will also include a large portion of so called "right wing suicidal Humanists/or individuals supporting the one-world-view (capitalists/industrialists supporting mass Muslim immigration included) but who are not necessarily Marxist sympathisers. Patriotic militias must create and update execution lists containing the names of every single parliamentarian, journalist, NGO leader/board member and university lecturer/professor etc. who has supported and propagated multiculturalist doctrines. As the war comes to an end it is critical that the patriotic organisations and military orders systematically hunt down and locate every single category A and B traitor in a coordinated effort within a

specific time frame (7 day operation involving 100 hunters per 1000 traitors optimally). Uncoordinated efforts of sporadic executions will only result in a scenario where many of our targets are given the time to flee the country. This is why several patriotic movements must cooperate on a well coordinated "decisive blow" campaign as soon as possible and BEFORE the civil war has ended. It might be tempting to make a spectacle out of the celebratory "lynching" of specific targets. However, this type of behaviour is counterproductive and not at all tactical as it will draw too much attention and alert other cultural Marxist traitors. We must ensure that we focus on eliminating all cultural Marxists before they get a chance to flee the country or before they disappear off our radar. Also, individuals harbouring any category 1 or 2 traitors must be severely punished. Certain category A and B traitors may be incarcerated during the operation (if there is sufficient capacity and manpower) with the intention for an official celebratory lynching at a later point (to boost moral for our forces etc).

The reason why we should do it as described above is because of what history has taught us. If we hesitate or act due to moral reservations or act in a clumsy way, a majority of the traitors will flee the country and immediately and actively start undermining our cause from another country. If they succeed and our newborn regime collapses they will return and continue business as usual as our slave masters. We cannot trust that the courts will punish them severely enough. History proves time and time again that a large majority of post-war governments chooses the path of appeasement because they simply are unable to make a "tough decision". They also want to "heal the national wounds quickly" and will be hesitant to allow mass killings of traitors. Another problem is that the court proceedings involving the traitors after the war will take from 1-3 years. Waiting this long will still the thirst for blood and revenge. A required rational response will be replaced with emotional appeasement. A post-war government must NEVER be trusted to sufficiently punish traitors. The risk of a repetition of a WW2 scenario is just too large. Another factor is that a majority of the category A and B traitors will have an extensive global political network which they will use to put pressure on our regime. They simply have too much political power as long as they are alive.

The biggest threat to an effective and thorough lynching campaign is the temptation to commence the deportation of Muslims. This is why the lynching force should only contain soldiers under professional leadership with the given "unofficial and clandestine" mandate.

An illustration of several successful and decisive campaigns:

- **Serb Volunteer Guard – SDG[1]**
- Type: Paramilitary organisation
- Size: 10 000+
- Garrison HQ: Belgrade
- Nickname: Arkan's Tigers, The Tigers
- Commander: Željko Ražnatović
- Second in command: Colonel Nebojsa Djordjevic Suca and Milorad Ulemek Legija.

The Serb Volunteer Guard - SDG was a volunteer paramilitary unit founded and led by Željko Ražnatović, widely known as Arkan, during the Yugoslav reconquista.

The Guard was created on October 11, 1990 by 20 volunteers, members of the FK Red Star Belgrade football club Ultra "Delije Sever". Reportedly at most points the Guard had over 10,000 fighters. The Guard's headquarters and training camp was in Erdut, Eastern Slavonia.

The Albanian Muslims in Serbia refused deportation and conversion from Islam (and instead started armed resistance) and as such were targeted for annihilation.

Source:

1. http://en.wikipedia.org/wiki/Serb_Volunteer_Guard

3.125 Investments and wealth protection in Europe during phase 2 and 3 – civil war, how to protect your wealth

How do you preserve wealth in times when the Four Horsemen (pestilence, war, famine and death) are on the loose?

What's the point of making money if you cannot preserve it?

According to some myths; during WW2 people in Germany would take wheel barrows of cash to the grocery store to buy bread and milk. The value of German currency dropped so low that people would steal your wheel barrow and dump out the cash.

While the reality wasn't exactly that grim you shouldn't put too much trust in your currency/cash being worth tomorrow what it is today.

During the war prices were often dictated by the government. Money was basically worthless because people needed government issued vouchers in order to be allowed to buy necessities and they received these only for what the government regarded as people's basic needs.

Best investments during phase 2 (2030-2070), predicting the future

The safest place to put money is likely to be in either high on demand items you can use for bartering, dividend paying stocks (as opposed to non-dividend, purely speculative stocks) gold or even silver.

During WW2, many large investors in the United States, Britain, Germany and Japan managed to identify and predict the monumental turning points in the war even as individual experts and other observers did not. The U.S. stock market turned upward around the Battle of Midway in late May of 1943. The British stock market bottomed just before the Battle of Britain in 1940, the German market reached its peak as Hitler's army attacked Russia (which marked the German war machine's first big key losses) in December 1941. Japan's market peaked in 1942, despite the tightly controlled pro-war propaganda published by the Empire's media.

But what are the lessons learned here? For protecting wealth, stocks are better bet than bonds (real property can get confiscated). Gold and jewelry can be a great alternative but can still end up as "problematic", especially to convert in the short term as your government may temporarily leave the gold standard to counter overinvestment in this alternative.

Over the long run, equities (stocks – company ownership) is a good alternative even in countries that are losing a war, because historically, even they have managed to beat inflation. Just keep in mind that certain companies, especially those companies who are

aiding the losing side always risk being wiped or expropriated by players on the winning side. Some will say that investing in index (a great variety of industries) is the safest bet but obviously, predicting which industry will do well is a lot better.

Another message from history is that even in the "lucky countries" (countries on the winning side that don't suffer catastrophic attacks) wealth invested should be diversified. There are no magnificent long-term, stocks to put away forever, and there never have been because no company has ever had a sustainable, forever competitive advantage. Excellence that lasts over multiple decades is virtually nonexistent. Also bear in mind that wars will open a lot of windows and in the aftermath lead to accelerated technological progress.

Business evolution seems to consist of a company developing a competitive advantage, exploiting its edge, and becoming successful. Its share price soars, and soon it is discovered and thereafter becomes a growth stock. As the company grows and gets bigger, it attracts competition and inevitably becomes less creative and competitive. Then as it ages, its growth slows and eventually it stagnates or becomes obsolete. There is usually far less innovation in large, mature companies.

The British East India Company in the seventeenth and eighteenth centuries had a total monopoly in four countries, possessed worldwide dominance in everything from coffee and wool to opium, had its own army and navy, and was actually empowered by the Crown to wage war if necessary. However the world changed, it didn't, and its "massive core" collapsed in the face of technological innovation. It went out of business in 1873.

In 1917, *Forbes* published a list of the 100 largest U.S. companies. Over the next 71 years there was the Great Depression, World War II, the inflation of the 1970s, and the spectacular postwar boom. When *Forbes* reviewed the original list in 1987, 61 of the companies no longer existed for one reason or another. Of the rest, 21 still were in business but no longer were in the top 100. Only 18 were, and with the exception of General Electric and Kodak, they were all underperforming.

Another study lists a database of the operating performance of 6772 companies across 40 industries in the postwar era. It was discovered that there was no safe industry. Above all, don't hold your eggs in a few big baskets. The old saying: "put all your eggs in one basket and then watch the basket" is a myth. The risks of putting all your resources in one basket are astronomical.

The History of Gold Prices Since World War II

Gold as an investment is considered as protection against economic troubles. Physical gold is used in manufacturing and jewelry as well as a store of wealth for investors. The recent history of gold prices has been very volatile.

From WWII (around 1941) until 1971, the US fixed the price of gold at 35 USD per ounce. President Nixon eliminated the fixed gold price in 1971, allowing gold prices to move with market demand.

After the US dropped the gold standard, gold prices soared, tripling in value hitting \$100 in May 1973. The price varied between 100 USD and 150 USD until the end of 1977. Gold moved steadily upward in 1978 and 1979 and peaked at 850 an ounce on Jan 21, 1980.

Gold dropped in price 113 USD on Jan 22, 1980, starting a long downward trend in price. The initial drop was to 315 USD in March 1982. Prices exceeded 450 USD at the end of 1982 and again in April through June of 1987, but the two-decade trend was lower prices. By late 2000, gold was around 250 USD per ounce.

Gold prices started a sharp climb in early 2002. It hit 400 USD in December 2003, 500 USD in December 2005 and 700 USD in May 2006. The previous record of 850 USD was passed on Jan. 2, 2008. Gold peaked at 1011 USD on March 17, 2008.

From March 2008 until the end of July 2009 gold fluctuated between 750 USD and 1000 USD per ounce.

Gold standard

Studies have indicated that as a conflict progresses and develops (civil war etc) and the masses flock to gold this development contributes to a downturn in national economies. Many governments will attempt to counter this by suspending gold convertibility (or devaluing the currency in gold terms) which again results in a scenario where many choose to sell their gold positions to rather place their wealth in the market (stocks, bonds, banks) and therefore making an economical national recovery possible. What policies countries followed after casting off the gold standard, and what results followed varied widely.

Every major currency left the gold standard during the Great Depression. Great Britain was the first to do so. Facing speculative attacks on the pound and depleting gold reserves in September 1931, the Bank of England ceased exchanging pound notes for gold and the pound was floated on foreign exchange markets.

A great depression and its relevance to gold speculation

Great Britain, Japan, and the Scandinavian countries left the gold standard in 1931. Other countries, such as Italy and the United States, remained on the gold standard into 1932 or 1933, while a few countries in the so-called "gold bloc", led by France and including Poland, Belgium and Switzerland, stayed on the standard until 1935–1936.

According to later analysis, the earliness with which a country left the gold standard reliably predicted its economic recovery. For example, Great Britain and Scandinavia, which left the gold standard in 1931, recovered much earlier than France and Belgium, which remained on gold much longer. Countries such as China, which had a silver standard, almost avoided the depression entirely. The connection between leaving the gold standard as a strong predictor of that country's severity of its depression and the length of time of its recovery has been shown to be consistent for dozens of countries, including developing countries. This partly explains why the experience and length of the depression differed between national economies.

Art, And Bonds Are Problematical

Third, the history of Europe during World War II indicates gold and jewelry work fairly well to protect a small amount of a wealth. Think of them as your "mad money." However, as noted previously, the history of World War II warns not to keep them in a safe deposit box in-country. Conquerors demand the key, and your bank will give it to them. Have your own safe deposit box at home or secrete your valuables in a safe haven. Above all don't tell anyone. When your neighbour's children are starving (as so many were in the lawless winters of 1945 and 1946), they will do anything. If the barbarians come next time as a terrorist attack or a plague, you are going to want to have your mad money close at hand.

Fourth, art is not particularly good either. It is vulnerable to destruction by fire, can easily be damaged, quickly plundered, and it's difficult to hide. At the end of the war, Warsaw alone reported 13,512 missing works of art of one kind or another. That said, some Europeans successfully removed valuable pictures from their frames and smuggled the canvases out of their home countries and transported them to safe havens. The caveat was that when they tried to sell them, they were only able to get a fraction of their true value.

Fifth, at least based on the last century, fixed-income investments are nowhere near as good as equities. Even in the Lucky countries, they provided returns far below stocks, although they did offer much lower volatility. Across the various countries, bonds had a standard deviation about half of that of equities, and bills had volatility about a quarter that of equities. In terms of liquidity, they were fine. Fixed income markets remained relatively liquid in London and New York throughout the war years.

In the Losers [Germany, Japan, Italy, et al.], fixed income had severely negative returns, and although government paper is normally considered to be relatively risk free, German bill investors lost everything in 1923, and German bonds investors lost over 92 percent in real terms after World War I. Admittedly inflation was virulent in a war-torn world, and fixed income is not the place to be in such an environment. In the chaotic, disorderly environment of the war years in the Loser nations, you can't sell bonds or cash in bills any more that you can trade stocks. However there was a period in the 1930s when because of deflation, bonds were the best performing asset everywhere.

Conclusion

Precious metals, especially gold, jewelry and high in demand items such as perhaps weapons, armour, ammunition, gasoline, survival kits, hermetic food/rations and investments/buying stocks in "production facilities" such as farms is likely to be considered relatively safe investments. However, farms or other production facilities may be expropriated by the cultural Marxist regime or the resistance movement for shorter or longer periods. Investing in foreign companies located in a neutral country that produces f. example weapons, ammunition, rations or offers transportation in some way (shipping, bulk, tank etc.) are likely to be good investments.

3.126 Building a cultural conservative paramilitary/militia organisation

"Marxist logic deemed our culture and traditions not worth saving. Marxist logic, however, does not account for the power of free will. It's up to each of us to prove that our cultures and traditions are worth saving. Don't sit and wait for others to do your job and duty for you. Join the resistance today..."

The foundation for forming militias will be linked to your government's success in keeping unemployment figures low, and their ability to contain Islamic terror. If your government fail on both areas, it will be a lot easier to form and create a large militia group. During Phase 2, measures should be taken to build and/or develop a conservative para-military organisation in each country (1000 members per million citizens). This means that a country with 4 million inhabitants should aim for at least 4000 members, a country with 60 million inhabitants, 60 000 members etc.

A **para-military** is a force whose function and organisation are similar to those of a professional military force, but which is not regarded as having the same status.

The term *paramilitary* is subjective, depending on what is considered similar to a military force, and what status a force is considered to have. The nature of paramilitary forces therefore varies greatly according to the speaker and the context. For instance, in Northern Ireland, paramilitary refers to any illegally armed group with a political purpose, but in Colombia, paramilitary refers specifically to illegally armed groups which are considered right-wing (for example AUC), while illegally armed groups considered left-wing, such as FARC, are referred to as guerrillas.

Increasing your power base

Entrepreneurial-minded leaders must take the initiative to form and consolidate larger networks/organisations both nationally and across Europe.

We must reach a common consensus of goals and agreeing on a final manifest (which will be used in phase 3) with other conservative organisations. Consolidate and stream line websites, information and strategy in accordance with the approved manifest.

Recruitment

Create student organisations on as many Universities/Colleges as possible with the goal of recruiting.

Head-hunters/recruiters - recruit target individuals - establishing contact with military officers, politicians, private investors and other relevant and potential allies in all areas of society. Efforts should be made to attempt to merge and recruit similar organisations under our banner.

Diplomacy

Creates and maintains diplomatic relations with other factions, organisations which are considered neutral or friendly:

Establish and consolidate support from religious communities:

- Protestant community
- Catholic community
- Jewish community
- Hindu community
- Sikh community

Sub cultures

Attempt to establish and consolidate support from various sub cultures. It's important to have "sub culture" representation for the secondary effect it will result in. This will also counter deliberate attempts to stereotype us.

Traditional militia building

If there isn't a militia or paramilitary group for your area - MAKE ONE!

Building a militia or para-military group is the efforts to create an organisation designed to function and perform as a military unit. The organisation may start out as a street demonstrating organisation like the EDL or it may start of as a paramilitary organisation. The organisation may need to be established in a clever way to avoid scrutiny or perhaps even state persecution. Covers such as a "Modern Warfare" club, a Boy Scout organisation or a street demonstrating organisation may work as efficient covers. The organisation must ensure that it follows all laws to avoid persecution and deconstruction efforts by the government. No illegal weapons should be acquired as it may jeopardise the organisation as a whole. Various forms of deception is likely to be required in phase 1 (2010-2030).

A leader or founder of a local militia must initially fulfill the following roles until he is able to delegate tasks to fellow officers/leaders:

- Administrative officer
- Communications officer (diplomatic role, handling PR, and building political alliances)
- Intelligence officer
- Recruitment officer
- Training officer
- Utility/equipment (acquisition) officer
- Safe storage officer (weaponry/ammunition/armour storage caches)
- Vehicle/vehicle repair officer

Establishing a HQ

Military organisations of all types must support a wide range of administrative functions including personnel management, accounting, and procurement. Some facilities are quite similar to civilian office buildings while others are converted from other military uses and can be quite idiosyncratic.

A small facility, farm (rural) or office space (urban) may be set up for administrative purposes (does not have to consist of more than 1-2 rooms in the beginning)

Commissary Facilities

Traditionally, military units provided most of the rations, uniforms, and other supplies needed by most military personnel. However, modern units often provide fewer items and many personnel must buy some items with their own funds. Personnel with families also must buy food, clothing, and other necessities for the family.

Temporary solutions may involve sharing a room in the HQ.

Mess

"Mess" is the military term for any facility serving food to large groups. Some mess halls in remote locations can be rudimentary, but others in established locations can be similar to modern cafeterias.

Temporary arrangements can be made with the local café, cafeteria or restaurant.

Training Facilities

Traditional military training facilities focused on physical conditioning and skills training. Newer facilities make extensive use of computer simulations of various kinds to provide more hours of training in more realistic situations at lower cost and with lower risk to personnel.

Temporary arrangements can be made with the local gun club, the local gym and an internet café which facilitates multiplayer Modern Warfare 2 simulation.

Recruitment base – existing patriotic organisations

- Political parties
- Gun clubs
- Military/police organisations
- Boy scout movements
- Football support clubs
- Any patriotic movement

Create a nice website, a blog and establish a nice looking Facebook page. Use Facebook to market the organisation. Just keep in mind that social networking sites such as Facebook have strict guidelines so deception must be employed. Facebook is the most efficient way to recruit.

Initial funding

Members should contribute to fund the activities in the beginning. The leader may contact sympathising NGOs or other organisations for sponsor funding. Funds from private individuals are also an option.

Militia building and its role in phase 2

The paramilitary organisation will remain in training/standby mode until the window of opportunity arises during phase 2. This window of opportunity could be a sudden momentum created in the neighbouring country (a coup or uprising leading to the overthrow of the government). Be prepared to execute a coup but ensure that you have a solid alliance prior to execution of operation.

Imagine the following scenario: France, UK or Germany is liberated after a right wing coup or after a progressive revolution leading to the overthrow of the cultural Marxist leadership.

Imagine if you are in a small country with a disorganised nationalist militia movement. The following strategies may be implemented in smaller countries such as Norway, Sweden, Denmark, Belgium, Netherlands and Luxembourg etc.

The objective of this guide is to show you how to take advantage of a political uprising in your neighbouring country and use this momentum to your benefit to stage a coup in your own country.

Factors needed to succeed with coup

The leader of militia/resistance need to live and/or be present in the capital city with a force of at least 100 well armed resistance fighters willing to die for the cause. All national militia leaders should be informed of the updated status given by the national militia commander.

A command central with radio/walkie capability needs to be established for all major cities prior to launch of operation. The command central needs to be secure with a backup solution in case of sabotage.

You need at least one senior officer or 2-3 junior officers in the police force willing to do what he can to work with you. Your insider(s) need to be aware of the coup plans and ready to ensure that the police response team will not aid the regime leaders.

You need at least one senior officer or 2-3 junior officers in the national military willing to do what he can to work with you. Your insider(s) need to be aware of the coup plans and ready to ensure that the military response team will not aid the regime leaders.

Your force of 100 resistance fighters should know what to do. The total force should split up in 3; one unit of 20 will secure the parliament building, one unit of 40 will secure the national broadcasting company. You must be ready to broadcast immediately declaring that you are the leader of the national military, that martial law has been implemented and that the constitution has been temporarily suspended. You must urge all nationalists/patriots to assemble at fixed (pre-determined) rally points in all major cities. Each major city will have a militia leader with his own unit and pre-determined tasks.

It is likely that an armed confrontation between certain loyalist police officers/military personnel and your militia occur so they have to be prepared for this.

3.127 A full or partial pardon may be granted to many category A, B and C traitors in phase 2

The tide will turn for the European Resistance Movements in phase 2 of the European civil war and many will sense that the cultural conservatives/ nationalists will eventually manage to seize political and military power. As a result of this shift, we will see a mass defection in the cultural Marxist/multiculturalist camp or at least a public flagging of sympathy to our cause. Many cultural Marxists/multiculturalists will eventually notice that the "rats are abandoning their sinking ship" during phase 2 (2030-2070). At this point in time, they will panic, knowing that they are on the extermination list of every armed nationalist resistance movement in Europe.

Unless a specific category A/B traitor have committed grave crimes, or unless we are close to winning (if it can still benefit us), we should contribute to provide incentives which will result in a scenario where a number of our enemies will defect given that they follow certain specified steps. They must publicly admit to their crimes listed in charges: 1-8 and ask the people for forgiveness by following these steps:

They must post an official "Declaration of Defection" in the largest national newspaper where the individual in question has citizenship. The declaration of defection must contain the following format and information:

Example – Declaration of Defection

Declaration of Defection

"Full name" – "country of citizenship"

I, "*full name*", hereby acknowledge that I have betrayed my country and people by committing one, several or all of the following crimes listed here (charges 1-8): "*Paste in fuctional URL containing the full description of charges 1-8 in your language and English*".

I hereby admit and acknowledge that multiculturalism is a European hate-ideology designed to deconstruct European identity, cultures, traditions and nation states. I used to support this anti-European hate-ideology. However, I no longer support the European cultural and demographical genocide.

Furthermore, I hereby pledge my support to the nationalist resistance movement in my country. I send my deepest apology to all European nationalists for my indirect involvement in their past persecution. This persecution was illegal, unconstitutional and undemocratic. I hereby pledge my allegiance to the nationalist cause and will from now on support them or refrain from criticising them.

Sincere regards,

"Full name" – "country of citizenship"

"3 Previous job titles/occupation and year of employment" (specification required so all individuals may be able to identify, f example: Parliamentarian for the British Labour Party, 2005-2009 etc.)

The category A/B traitor in question will then be evaluated by the leadership tribunal of the National Resistance Movement who will make a decision based on all available factors. They may issue a full pardon, a partial pardon or they may reject the request for pardon completely. The category A/B traitor in question will be contacted if he is granted a full/partial pardon. If he/she is granted a partial pardon the individual in question must allow the National Resistance Movement to expropriate a substantial portion of his property and funds which will be used to fund the resistance. The category A/B traitor will then be granted guarantees of immunity from future persecution.

3.128 Preparation for Phase 3 (2070-2083) Coup d'état

"I began the revolution with 82 men. If I had to do it again, I would do it with 10 or 15 who had **absolute faith**. It does not matter how small you are if you have faith and a plan of action."

Fidel Castro

A **coup d'état**, often simply called a **coup**, is the sudden overthrow of a government by a part of the state establishment, usually the military, to replace the branch of the stricken government, either with another civil government or with a military government.

The *coup d'état* succeeds if its opponents fail to thwart the usurpers, allowing them to consolidate their positions, obtain the surrender of the overthrown government or acquiescence of the populace and the surviving armed forces, and thus claim legitimacy. *Coups d'état* typically use the power of the existing government for the takeover. As Edward Luttwak remarks in *Coup d'État: A Practical Handbook*: *A coup consists of the infiltration of a small, but critical, segment of the state apparatus, which is then used to displace the government from its control of the remainder*. In this sense, the use of either military or another organised force is not the defining feature of a coup d'état.

Tactically, a *coup d'état* usually involves control by an active portion of the country's military, while neutralising the remainder of the armed services' possible counteraction. The acting group captures or expels the political and military leaders, seizes physical control of the most important government offices, means of communication, and the physical infrastructure, such as key streets and electric power plants.

Types of coups d'état

A *coup d'état* also is classified by the rank of the military men leading the governmental overthrow. A **Veto coup d'état** or **Guardian coup d'état** is led by the army's top commanding officers (usually generals). Sometimes the commander-in-chief, or a few very top commanders are excluded, as being appointees of and loyal to the sitting regime.

In a **Breakthrough coup d'état** the leaders are junior officers (colonels or below), or even non-commissioned officers (sergeants), and most of the army's senior officers are displaced too.

A **bloodless** coup d'état is when the threat of violence is sufficient to depose the incumbent government with no fighting, and there are no subsequent executions of the deposed faction. However, a "bloodless coup d'état" is not always truly non-violent. Napoleon's 18 Brumaire coup d'état is considered an exemplar "bloodless coup", but during the coup, legislators were forcibly ejected from their meeting place by soldiers. In 1889, Brazil became a republic via a bloodless coup. In 1999, Pervez Musharraf assumed power in Pakistan via a bloodless coup, and, in 2006, Sonthi Boonyaratglin assumed power in Thailand as the leader of the Council for Democratic Reform under Constitutional Monarchy.

The term **self-coup** applies when the incumbent government, aided and abetted by the military, assumes extraordinary powers not allowed by law. The historical example is President, and later French Emperor, Louis Napoléon Bonaparte. A modern example is Alberto Fujimori in Peru, who, though elected, in 1992 assumed control of legislative and

the judicial branches of government, installing himself as an authoritarian ruler. The assumption of "emergency powers" by King Gyanendra of Nepal was a self-coup.

Besides Luttwak's non-military coup d'état, Samuel P. Huntington identifies three classes of coup d'état:

Breakthrough coup d'état: a revolutionary army overthrows a traditional government and creates a new bureaucratic elite. Generally led by non-commissioned officers (NCOs) or junior officers and happen once. Examples are China in 1911, Bulgaria in 1944, Egypt in 1952, Greece in 1967, Libya in 1969 and Liberia in 1980.

Guardian coup d'état: the "musical chairs" coup d'état. The stated aim of which is improving public order, efficiency, and ending corruption. There usually is no fundamental change to the power structure. Generally, the leaders portray their actions as a temporary and unfortunate necessity. An early example is the coup d'état by Sulla, in 88 B.C., replacing the elected leader Marius in Rome. A contemporary instance is the civilian Prime Minister of Pakistan Zulfikar Ali Bhutto's overthrow by Chief of Army Staff General Muhammad Zia-ul-Haq in 1977, who cited widespread civil disorder and impending civil war as his justification. In 1999, General Pervez Musharraf overthrew Pakistani Prime Minister Nawaz Sharif on the same grounds. Nations with guardian coups can frequently shift back and forth between civilian and military governments. Example countries include Pakistan, Turkey, and Thailand. A "bloodless coup" usually arises from the Guardian coup d'état.

Veto coup d'état: occurs when the army vetoes the people's mass participation and social mobilisation in governing themselves. In such a case, the army confronts and suppresses large-scale, broad-based civil opposition, tending to fascist repression and killing, the prime example is the coup d'état in Chile in 1973 against the elected Socialist President Salvador Allende Gossens by the Chilean military, aided by the CIA.

Post-military-coup governments

After the *coup d'état*, the military face the matter of what type of government to establish. In Latin America, it was common for the post-coup government to be led by a junta, a committee of the chiefs of staff of the armed forces. A common form of African post-coup government is the revolutionary assembly, a quasi-legislative body elected by the army. In Pakistan, the military leader typically assumes the title of chief martial law administrator.

Europe transitional governments

- Greece (1923-1929; 1936-1941; 1967-1974)
- Poland (1918-1922; 1926-1935; 1981-1983)
- Portugal (1917-1921; 1926-1930; 1968-1976)
- Spain (1923-1930; 1939-1975)

Middle Eastern transitional governments

- Turkey (1960-1961; 1980-1982)

Military declaring Martial Law

Martial law is the system of rules that takes effect when the military takes control of the normal administration of justice.

Examples of this form of military rule include Germany and Japan after World War II. Martial Law can be used by governments to enforce their rule; for example, after a coup d'état (F ex. Thailand 2006), in order to keep riots and protest down or when threatened by popular protests (Tiananmen Square protests of 1989), or to crack down on the opposition (Poland 1981).

In many countries martial law imposes particular rules, one of which is curfew. Often, under this system, the administration of justice is left to a military tribunal, called a court-martial.

Egypt example

In Egypt, a State of Emergency has been imposed almost continuously since 1967 CE. Due to the assassination of President Anwar el-Sadat in 1981, martial law was declared. Egypt has been under martial law ever since - the Parliament has renewed the emergency laws every three years since they were imposed. The legislation was last extended in 2003 and was due to expire at the end of May 2006; plans were in place to replace them with new anti-terrorism laws, but after the Dahab bombings in April, martial law was renewed for another two years.

Martial law allows the government to detain anyone deemed to be threatening state security for renewable 45-day periods without court orders and also give military courts the power to try civilians.

Public demonstrations are banned under the legislation.

3.129 Recommendations for cultural conservative senior and junior military officers (phase 1, 2 and 3)

It's not a secret that a majority of senior/junior military officers throughout Europe are disgusted with the current development in regards to the Islamisation of Europe. These officers know that confrontations are unavoidable and are monitoring the situation closely. However, do not expect many officers to risk their necks just yet. It's also important to know that there are many senior loyalist officers who do not share our goals. It's essential that you take precautions when you develop your cultural conservative network. When the time is right, these loyalist officers will be dealt with (Phase 3). Until then, simply avoid them.

Phase 1 suggestions

Creating national and pan-European covert networks

Creating covert networks with like minded individuals (cultural conservatives) in your countries and in other Western European countries is essential.

The networks objectives

Mapping of potential members or sympathisers (individuals considered as loyal to the conservative network).

Mapping of potential security risks (individuals considered as loyal to the cultural Marxist/multiculturalist government)

Creating a thorough overview of exactly which senior/junior officers are likely to be loyal to the cultural Marxist/multiculturalist government.

Expand network but restrict distribution of sensitive data to a minimum of individuals (by f example using ranking system).

Acquire intelligence from foreign networks, in regards to potential cooperation, or acquiring information related to the objectives and agendas (f example: if the Belgian network plan to execute a "breakthrough coup d'état in exactly 18 months, you will like to know).

Security measures

Creating covert groups by using "covers" can be a good idea. F example through facebook groups involving Historical military memorabilia/artefacts etc. NATO training campaigns can be a good way of meeting face to face to avoid the possibility of electronic or telephonic monitoring. There should be "initiations" which require the individual to be screened and background checked thoroughly and perhaps given "recruit" status for as long as up to 4 years. Creating 10 levels/ranks of "clearance" can be a good idea (it would then take 10 years for a recruit to get access to the most sensitive data. Rank 5 members cannot share rank 5 data with rank 4 members etc.

Potential dangers

Avoid telephonic, electronic or written correspondence at all costs as this can be monitored by National or foreign intelligence.

Keep in mind that your cultural Marxist/multiculturalist government (of senior officers loyal to your regime) at any point can attempt to "plant" intelligence agents in order to try to uncover "illegal" networks. Make sure that you are taking all precautions necessary and simulate potential scenarios (have backup plans available for any potential situation).

Phase 2 suggestions

Cooperation with cultural conservative militias/military orders

During phase 2 you should consider establishing and/or maintaining contact with conservative/nationalist militias or other "military orders".

Cooperation with Russia

At one point in time the national conservative network leader will have to consider establishing contact and attempt to cooperate with the Russian Ministry of Defence,

Russian Ground Forces or Russian Special Forces (Spetsnaz) through FSB (Federal Security Service)

We must assume that any future attempt of Coup d'état against your cultural Marxist/multiculturalist regime will result in a NATO response. As such, you will need the assistance of Russia to counter this response.

3.130 The political landscape in W. Europe, 2070-2080, before the initiation of Phase 3

"A revolution always seems hopeless and impossible the day before it breaks out and indeed never does break out until it seems hopeless and impossible."

George Bernard Shaw

Description of relevant factors:

France, 2069 (end of phase 2)

Population 120 million whereas 60 million Muslims. Integration and assimilation of a majority of the Muslims have failed. There are now 4 huge Muslim enclaves in different parts of France. The country went bankrupt in 2060 and unemployment rates are around 30% (60% unemployment rate among Muslims). Several Muslim militia groups have been formed along with several French Ultranationalist groups. The French control the military and all institutions of importance. There are weekly terror attacks against French civilians and other targets. Assassinations are not uncommon. There are weekly rioting, arsons which results in widespread devastation of property. Several Muslim organisations demand autonomy, and the right to implement more Sharia laws.

A specific event triggers armed conflict which escalates into widespread street battles in all 4 enclaves. Many armed Muslims are killed by the French military including several indirect casualties (among them Muslim children). The event is caught on tape and distributed across Europe. Widespread rioting starts all over Western Europe...

The leading ultranationalist group have been waiting for this opportunity for years, and have planned every detail for a coup d'état. This has been coordinated with several key military commanders.

They strike against the weak cultural Marxist/multiculturalist government with full force. They have several military contacts in the Russian Army and Russian naval strike forces has been prepared and are only 8 hours away with the purpose of intercepting any German or UK military response.

Thanks to the Russian fleet any counter coup is avoided. The first cultural conservative government in Western Europe is being established. Within 20 years from that day, there are no cultural Marxist/multiculturalist governments left in Western Europe.

Let's pause for a second.

Historically, even though the people have been in great distress and face chaos and bloodshed many people still cling to the hope of peace through appeasement (30% of men, 70% of women). They will simply refuse to contribute to deportations or any other pragmatic/rational and effective solution, something that is simply against their nature (after decades of indoctrination of pacifistic views).

Christian Lebanon is a good example. Instead of striking when they were in majority they waited until the Muslims were in majority. Many Christian groups were sabotaging any rational (war) approach and wanted instead more appeasement. This continued until the civil war finally broke out.

It is unthinkable for these people to make the necessary tough calls (rational decisions). We will illustrate this through the following question:

If you could save 1000 individuals by sacrificing 100 people - would you contribute to indirectly kill these 100?

Every rational individual knows the only answer to this. Unfortunately 70% of females and 30% of men are simply unable to make this decision. Decades of pacifist indoctrination have made them simply unable to defend themselves. Let's refer to this group of society as the "pacifists".

This is the political reality we are being forced to cope with, so you should be aware of the expected political circumstances even when a people are close to obliteration.

A good illustration is the political climate in Israel at the moment (March 09). The main Israeli attacks on the Syrians (referred to as Palestinians by the mass media) have ended. These actions of self defence were initiated after a continuous rain of rockets for years.

Here is the result from the Israeli election (categorised in regards to the Muslim/Jewish conflict):

Moderate/liberal:

Kadima (Tzipi Livni): 28 mandates (-1)

Labour Party: (Ehud Barak): 13 (-6)

Total: 41

Neutral

Shas (religious) 11

Right wing:

Likud (Netanyahu): 27 (+15)

Yisrael Beiteinu: 15 (+4)

Total: 42

Other parties:

United Torah Judaism: 5

United Arab List-Ta'al: 4

National Union: 4

Hadash: 4

New Movement-Meretz: 3

The Jewish Home: 3

Balad: 3

Total number of Knesset seats: 120

It's worth noting that Netanyahu has already found allies in right wing Yisrael Beiteinu and in the religious Shas but has avoided creating a right wing alliance because he knows it would collide with the US Obama administration.

I have to agree on the current strategy. The political climate of the world does simply not allow small right wing players to exercise any form of power as long as the EU and the US are controlled by cultural Marxists/multiculturalists. However, the interesting thing is that it shows that a nation under distress and literally where it is "raining rockets" is still considerably moderate/liberal due to "pacifists".

It's also important to note that the Israeli illustration (of political climate) is not really comparable to any Western European country. The reason is that Israel has a very small group of Muslims who are eligible to vote. In contrast, the cultural Marxist/multiculturalist elites of Western European countries have given most of the Muslim residents the right to vote. In fact, Muslims as a voter group and political block is a significant one and their importance in European politics increase from year to year.

As we have discussed so many times before, the problem arises when you add the cultural Marxists/multiculturalists, the suicidal humanists, the globalist capitalists, the pacifists and the Muslim Block. It is simply impossible to compete democratically with this alliance. Even less so in the future when the cultural Marxists have imported hundreds of thousands of new voters, and Muslims in general give birth to new generations of voters.

We have lost the democratic battle of Europe. It is unrealistic to believe that we can save Europe through democratic struggle from a future reality where Muslims will be in the majority. The democratic battle for Europe was probably lost before year 2000 (theoretically, and differing based on country ofc), which is around 40 years after the EU's Eurabia project was initiated.

Dialogue with the MA (Multiculturalist Alliance) - aprox 1960-1999

Obviously, there is still a democratic struggle ongoing (from moderate non-violent forces) and this will continue in tandem with the armed struggle until we succeed.

Western European Civil War Phase 3

3.131 European Civil War, Phase 3, 2070-2083

- The flood of demands is calculated to break the budget, jam the bureaucratic gears into gridlock, and bring the system crashing down. Fear, turmoil, violence and economic collapse would accompany such a breakdown providing perfect conditions for fostering radical change.
- Waiting for the right time to strike or create an opportunity. This can be accomplished by arranging incidents (assassinations or terror attacks on mosques during Id celebration etc) which would trigger major Muslim riots. If the riots are violent enough it can serve as a perfect occasion for the coup.
- Execution of the coup.
- Create a Military Tribunal (acting government).
- Declare Martial Law (state of emergency).
- Establishment of a new government (if when the time is right).
- Implement military and militia strategy (consolidating internal forces).
- Coordinate with international allies, Russian military commanders (consolidating external forces).
- Arrest hostiles in your country (eliminate internal threats).
- Ensure that demonstrations and protests (peaceful or violent) are put down.
- It will take as much as 6-24 months until stability has been established (depending on country and the political reactions from neighbouring countries).
- This will vary depending on methods used.
- Implementation of the political manifest should start immediately but discreetly.
- We can't expect to reverse decades of indoctrination over night. In fact, attempting to do so will prove catastrophic.

3.132 Predicted actions from other cultural Marxist/multiculturalist regimes

When the French people rise up during phase 3 lead by right wing movements we should keep in mind that the UK and the US will likely implement measures to prevent the French people from creating a right wing regime opposed to multiculturalism.

Why would they act against the French right wing?

They want to protect their own interest. It is in their interest to ensure that they maintain their hegemony and a "stable market", a weak and obedient France (importer of US, UK goods and services) which is unable to implement any effective regulations. In essence, they want to control France like they control Serbia and other nations.

US policy when EU and/or NATO countries are attacked

"Our first objective is to prevent the re-emergence of a new rival... we must maintain the mechanisms for deterring potential competitors from even aspiring to a larger regional or global role."

Pentagon's Planning Guidance for the Fiscal Years 1994 - 1999, a USA planning document

When LIC (low intensity conflicts) threatens friends and allies, the aim of security assistance is to ensure that their military institutions can provide security for their citizens and government." "The United States will also employ combat operations in exceptional circumstances when it cannot protect its national interests by other means. When a US response is called for, it must be in accordance with the principles of international and domestic law. These principles affirm the inherent right of states to use force in individual or collective self-defence against armed attack.

What this basically means is that the US and the UK will send Special Forces to put down any "right wing coup" attempts to "secure their interests".

This will mean that the French right wing should and must seek protection by a third party (guarantor) prior to the coup. The reason for this is as the "new right wing government" will be extremely vulnerable the first 6 months and it might not survive a US/UK military campaign. This "third party" can only be Russia.

Counter measures (taken against any potential US/UK military campaign)

Prior to any coup, Russia will announce a training mission outside the Norwegian coast. With the Russian defensive force (naval, air and ground) in place they will be available upon request within 6 hours (if the UK and the US decide to strike)

In addition - Countering any NATO response by employing Guerrilla warfare:

Cuba would later show again its masterful grip on guerrilla warfare when it defeated American invaders at the Bay of Pigs (Playa Girón) in 1961. In less than 74 hours guerrillas defeated over 1500 armed, trained invaders from the United States. In addition to being a profound victory for the working class, it shattered the myth of the imperialist United States' invincibility.

Expect a full NATO military campaign. The Western establishment will condemn the coup and use harsh rhetoric, call for boycotts etc. They may threaten to invade if France goes ahead with deportations. The Muslim populations in France are expected to entrench and refuse all deportation attempts by attempting to declare independence (enclaves). They may also call for military assistance from the Global Islamic Ummah and from Muslims in neighbouring countries. Their strategy will most likely be to entrench and refuse deportation in the hopes that NATO or the neighbouring countries will invade and overthrow the current regime.

The new government will be labelled illegitimate and condemned by the UN.

Both China and Russia will most likely block the UN Security Council (in favour of the new regime) so this automatically throws the ball to the NATO council. We know already that the Western establishment will never accept a government with a nuclear arsenal which they will label as extreme right wing. An invasion in the planning is therefore expected without a doubt.

The only realistic choice of preventing an invasion and a subsequent counter-coup would be that Russia in agreement with the current government has pre-arranged an already accepted protectorate alliance where a speedy force of Russian units rush from Russia's North Western military bases and reach the shores of France within 6-10 hours and assist the French military to prevent any invasion attempt. Everything has to be planned and coordinated between the Russians and the new French government. It is of the utmost importance that a substantial Russian force reaches strategical areas in France before NATO will react by sending forces via neighbouring countries (German military base for example). It has to be 100% clear on the Russian side that any attempts of counter coup from the Western establishment will result in nuclear strike against the initiating party.

This will be a once in a lifetime opportunity to create and declare France as an Islam free zone.

If successful and the new French government manages to overcome the impending challenges it will set a new standard, and other European countries are likely to follow. There are already fractions of the military, political scene on all administrative levels in business and state level in every European country that wants the same. A successful "re-conquista" of one European country will therefore most likely result in a chain reaction until the day all Muslims have been deported from European soil.

Other resources for future nationalist Tribunal leaders:

Take all precautions against economical hitmen sent by the US

http://en.wikipedia.org/wiki/Confessions_of_an_Economic_Hit_Man

3.133 The cultural/economical American Empire - dealing with a tyrant - why the Democratic and the Republican Party cannot be trusted

"From 1945 to the end of the [20th] century, the USA attempted to overthrow more than 40 foreign governments, and to crush more than 30 populist-nationalist movements struggling against intolerable regimes. In the process, the USA caused the end of life for several million people, and condemned many millions more to a life of agony and despair".

William Blum, USA writer from the book, "Rogue State"

The US is the last Empire on earth. It doesn't control its vassal states through direct territorial domination but rather through cultural and economical domination. It will generally allow their vassals (especially their Western European crown vassals) self determination as long as they don't implement policies (cultural/economical) that hurts the US in any way. The US indirectly controls Europe, especially Western Europe, a legacy which it has maintained since WW2 and through the cold war until today. And of course, we have the many banana republic's of Latin America, most of which are now included in the US cultural/economical Empire. The same goes for many African and Middle Eastern states. The US, often assisted by its other vassal states (through NATO) has ensured to place corrupt puppet leaders in charge of the majority of Muslim countries.

The difference between the Middle Eastern and Latin American vassal states on the one hand and its European vassals is that we are consider crown vassals with extra rights in the US cultural/economical Empire.

Methods used by the US to ensure order in the vassal states:

- Threats/diplomacy
- Psychological warfare (through its affiliated media corporations)
- Various other forms of intervention including cultural, economical and military means
- Economical hitmen, as soon as there is a regime shift in one of the vassal states (where a hostile leader emerges) the US will first send an economical hitman to demand loyalty from the new ruler. The hitman will present an offer; he will say for example; in one pocket I have 1 billion dollars which is a gift to you (or a suitable sum depending on several factors). In the other pocket I have a gun, which we will use to kill you should you refuse our first offer. The choice is yours. They will list multiple former regimes they have toppled/state leaders they have murdered etc. to attempt to scare the new regime from turning down the offer.

Since 1945, the USA has been responsible either directly or indirectly of helping remove dozens of governments, many democratically elected, around the world. Sometimes the events are kept secret for years and only slowly come out. Other times, the events are the cause of demonstrations, anger and resentment at the time they occur.

Whenever, an event like this occurs there are two reasons to be considered:

Reason 1: The reason given by the USA, its media and its friends around the world. Reasons like Communism, Terrorism, Fascism, Human Rights, Freedom, Liberation, Weapons of Mass Destruction, etc.

Reason 2: The actual reason. This is usually hidden from the general public and has to be looked for in quotes by under-reported officials or subsequent events on the ground. Often, the victims of the intervention/change of government know the real reasons better than the populations of the Western countries. Real reasons are many but usually include

Business Interests, Access to Resources, Markets, Military Bases, Strategic Value, or Political Support.

In the list below only successful changes of government and other substantial political interventions are listed. Many attempts have failed. Cuba is the best example of this. European incidents in bold:

Past US interventions

Year	Country	Reason Given	Actual Reason
1949	Syria	Communism	Elected government against USA political interests and pro-Palestinian.
1949	Greece	Communism	Elected government against USA political and economic interests.
1952	Cuba	None	Elected government against USA business interests.
1953	Iran	None	Elected government against USA oil interests.
1953	Br. Guyana	None	Access to sugar and bauxite.
1954	Guatemala	Communism	Elected government against USA business interests.
1955	S. Vietnam	Communism	French backed leader replaced by USA backed leader.
1957	Haiti	Haiti is near the USA	Previous government against USA business interests.
1958	Laos	None	Pro-USA government wanted.
1959	Laos	None	Pro-USA government wanted.
1960	S. Korea	Communism	Previous leader not strong enough for USA.
1960	Laos	None	Pro-USA government wanted.
1960	Ecuador	Communism	Previous government too independent in foreign policy.
1963	Dominican R.	Business Interests	Elected government against USA business interests.
1963	S. Vietnam	None	Previous leader's policies led to televised suicides.
1963	Honduras	Communism	Pro-USA government and access to resources.
1963	Guatemala	Communism	Military government was about to allow elections.
1963	Ecuador	None	Elected government too independent.
1964	Brazil	Communism	Access to resources and cheap labour.
1964	Bolivia	Communism	Previous government too independent in foreign policy.
1965	Zaire	None	Access to cobalt, copper and diamonds.
1966	Ghana	None	Previous government too independent in foreign policy.
1967	Greece	None	Military bases.
1970	Cambodia	None	Previous king against USA political interests.
1970	Bolivia	None	Country took ownership of its oil and tin.
1972	El Salvador	Communism	Elected leader against USA business interests.
1973	Chile	Communism	Elected government against USA business interests.

1975	Australia	None	Elected government had unsuitable foreign policy.
1979	South Korea	None	Pro-USA government wanted.
1980	Liberia	Democracy	Pro-USA government wanted.
1982	Chad	None	Pro-USA government wanted.
1983	Grenada	Democracy	Pro-USA government wanted.
1987	Fiji	Democracy	Previous elected government supported nuclear-free Pacific.
1992-1994	Serbia Montenegro	Human rights violation	Divide and conquer strategy. Initiation of blockade of Serbia and Montenegro.
1993-1999	Bosnia	Human rights violation	Divide and conquer strategy. Jets, bombing No-fly zone patrolled in civil war; downed jets, bombed Serbs. Divide and conquer strategy.
1999	Serbia	Human rights violation (War on Fascism)	Pro-USA government wanted. Divide and conquer strategy. Bombing, missiles, heavy NATO airstrikes after Serbia declines to withdraw from Kosovo. NATO occupation of Kosovo.
2000	Austria	War on Fascism	Pro-multiculturalist government wanted. Media war with subsequent boycott is directed at Austria from the EUSSR/USASSR hegemony.
2002	Venezuela	None	Disagreed with foreign policy of elected government.
2004	Haiti	Fraudulent elections	Disagreed with economic policy of elected government.
2008	Georgia	None	Backed the Georgian government push against Russian enclaves to test out Russia's resolve.
2009	Honduras	Attempted to Change Constit	Disagreed with economic and foreign policy of elected government.
-2010	Israel	Human rights violation	Disagreed with foreign policy of elected government. Israeli nationalists persecuted.

Future incidents

2040	France	They may call it a War on Fascism?	US (NATO) attempts to invade France after right wing coup?? Russia intervenes and prevents US (NATO) invasion?
2045	UK	They may call it a War on Fascism?	US (NATO) attempts to invade the UK after right wing coup?? France and Russia intervenes and prevents US (NATO) invasion?

Time will tell what the future brings. But we must be prepared for a potential US intervention and must somehow manage to get Russia to contribute as a guarantor.

Phase 3, 2070 - 2090

The US cultural Marxists/multiculturalists, suicidal humanists and capitalist globalists will do everything in their power to prevent us from deporting the Muslims living in Europe. They want to preserve European countries as the US "crown vassals" which we are today.

The globalists (lead by the US) want to preserve Europe as a stable market for their products. It is in their interest to prevent us from becoming truly sovereign. In reality this is called slavery. They want to keep us as slaves. They will therefore do everything in their power from preventing us from uniting and as we already know; Western European countries will remain broken as long as there are large Muslim enclaves (mini-Pakistan's) in all major cities. We will be paralysed as long as the Muslims are allowed to wage low intensity warfare against us. When we attempt to deport all Muslims from Europe at one point in the future it is likely that the US will intervene and they might actually initiate bombing campaigns to prevent us from "cutting out our cancer" by; bombing our railroads, our roads and our fleet (both naval and aerial). In a way, they hope that we will initiate a genocidal campaign as it will give them the proper justification to invade us and create US military bases on European soil. Obviously, we must not allow ourselves to be manipulated like this as this is what happened in Serbia. If they bomb our transportation means we must rebuild it and try again. NATO did this as an active part of their strategy in the Balkans. They made it impossible for the Serbs to deport any Muslims and they continued to manipulate them hoping they would eventually lose all hope and start massacring Muslims.

Bombing our transportation means is one thing but there are certain strategies we will be unable to ignore;

- US bombing of our railroad tracks, our roads and our naval/aerial fleet (they hope we will begin massacre Muslims as it will give them the justification for an invasion or massive bombing campaigns (seen in Serbia vs. NATO)
- US supplying the Muslims in our country with arms and training (divide and conquer strategy, they will do what they can to provoke an overreaction/slaughter of Muslims - seen in Serbia vs. NATO)

Counter measures;

They may attempt to make it impossible for us to deport the Muslims. What can we do?

There is not much a small nation can do against the US army. This is why a single nation needs to actively consolidate and wait for other nations to join the European Federation. We all saw what they did to Serbia. What could the Serbs have done against the US army while Russia was paralysed at the time to a shift of rulers? Absolutely nothing. The US armed and trained the Muslims in Serbia (UCK) and bombed their roads, railroad tracks and their aerial fleet. Serbs do not have a coastline so there are limited means for efficient deportation methods. As they were stripped of all options, they did the only thing they could; they fought the Muslims. However, as we all know, this is exactly what NATO was waiting for and it created the justification needed to initiate massive bombing campaigns and a subsequent invasion of southern Serbia (Kosovo), in cooperation with the Islamist UCK.

It was also unfortunate timing for Serbia as it was during the inauguration of President Putin (after two terms with Boris Jeltsin in Russia). Putin lacked the political confidence at the time to intervene and help Russia's cousin.

A single nation has to be very careful. Optimally, it should wait for other countries to join a larger alliance (European Federation) before taking any drastic steps. It should not give the US any justification to initiate bombing campaign or even launch an invasion. The UK, France and Russia have hundreds of nuclear weapons, so as soon as one these countries are liberated from multiculturalist rule (or as soon as Russia joins) it will prevent the US from intervening in such a manner.

If the US presses on and attempts to keep the UK and France as a slave nation (US cultural and economical dominance enforced by the US military is slavery), it is likely that it will backfire in the most devastating manner. Because, a people do not appreciate being slaves of another nation. They may do everything to ensure their freedom even if it involves launching 200 nukes from tactically placed submarines placed strategically outside the US east coast, inflicting massive harm on the US. Yes, the US will retaliate and annihilate that country. However, it is sometimes better to live one day as a lion than an eternity as a sheep. It is better to martyr yourself for a good cause (freedom from slavery), than to be a slave. The sacrifice that country makes is likely to prevent the US from intervening in other European countries in the future as the US East Coast will be completely devastated.

Let us hope that the US (Democratic and Republican party) allows us, their European cultural and economical crown vassals, to liberate ourselves and deport the Muslims without them militarily intervening. We shouldn't forget that we have many allies in the US including a sizable faction of the Republican Party. There are signals that might indicate that the US will not intervene militarily after we begin liberating ourselves in the coming decades. We must continue to work close with our US allies to prevent this from happening.

Further studies:

http://en.wikipedia.org/wiki/Covert_U.S._regime_change_actions

3.134 Deportation policy (preventive measures)

When the time is right and the new government (or Military Tribunal) are confident they can handle deportations the following suggestions should be considered.

All Muslims will be given the following choice:

Willing terms of Deportation

All Muslim individuals agree to leave the country voluntarily and peacefully. Each individual will (at departure) receive a onetime fee (compensation) equivalent of 1 kilogram of gold (10 kg for a family of 10).

For a population of 1 million, this would be 1 000 tons of gold at a total cost of around 15,6 billion Euros.

Unwilling terms of Deportation

Muslim individuals who refuse to leave voluntarily and peacefully will be forcefully deported (by the national military aided by the national police force) and will not receive any compensation.

3.135 Economical/social impacts of mass deportations

Economical impact once a cultural Marxist/multiculturalist regime falls and an Islam free territory (Country) is established?

Illustrative example (after deportations);

Belgium

Population: 10,4 million

Muslim population: **1990**: 500 000, **2008**: 1 million (10%)

1 million Muslims

100 000 are retired (+70 years)

250 000 are aged 41-69

250 000 are aged 21-40

400 000 are aged 1-20

Individuals paying tax: 300 000-400 000

Individuals not paying tax: 600 000-700 000

Social economic results after deporting 1 000 000

A few particularly affected professional groups:

80% of taxi drivers are Muslims

60% of public transportation workers are Muslims

20% of health care workers are Muslims

50% of the restaurant industry is Muslim

Negative effects:

Short term economic effects would be disastrous. Problems to maintain public transportation systems, taxi industry paralysed.

Positive effects:

50% Less unemployment subsidies

40% less subsidies to correctional institutions

30% less subsidies to kinder-garden type organisations

30 less subsidies to schools

20% less subsidies to colleges, universities

Inflow of immigrants from ethnic Europeans in neighbouring countries and from Muslim dominated cities and countries throughout Europe.

Mosques and Islamic cultural centers are to be demolished or converted.

Crime would go down by more than 50%

Economic sanctions from Muslim countries:

Expect boycott and sanctions from all Islamic countries:

Economic sanctions from non-Muslim countries:

Expect 100% economic boycott from the EU and all non-Muslim countries except Russia, India, China and Serbia (possibly certain other East European countries depending on the amount of Pressure from the Western Establishment.

Short term terrorist/Islamist attacks (before and during deportations):

Guaranteed, as a majority of Muslims will refuse to be deported. It is expected that they will rally, entrench and resist.

Long term Jihadi terrorist threats:

Minimal to none as there are no Muslims left in the country.

3.136 Recommendations for future cultural conservative/nationalist regimes when forming and developing government

No controversial societal reforms, which could result in public outrage/forming of violent anti-nationalist movements etc., should be initiated until the country is completely secured and stabilised (reform/consolidation of the police forces and the military) and before incotriated groups have been able to learn and familiarise themselves with the full truth about cultural Marxism/multiculturalism.

When the country is secured, the process of reforming it may begin gradually (f example by following the principles/agenda put forth by the pan-European nationalist movements/governments). Know that winning the peace will be a lot more difficult than winning the war so complete and thorough doctrines must be developed as early as possible. It may prove beneficial if several countries follow the same policies as these countries must have a pan-European plan to fend off any ideological attacks from the remaining EUSSR/USASSR cultural block;

News agencies and/or related Media companies (private and public)

Foreign ownership of news agencies and/or related media companies

Foreign ownership of news agencies and/or related media companies should be prohibited. Exceptions can be made if the foreign entity is considered "friendly" (cultural conservatives).

Re-organising of news agencies and/or related media companies

Administration, Board of directors and staff must be screened thoroughly. Background checks must be done for all individuals. Individuals who have historically supported a multiculturalist view should be replaced and/or re-educated by cultural conservatives. This includes all journalists/editors/ publishers. Alternatively, a minimum of 50% has to sympathise with cultural conservative political principles.

Arrest any category A, B or C traitors.

Dealing with foreign or partial-foreign news agencies and/or related media companies

For example foreign companies with broadcasting rights in given country (TV, satellite, radio, and internet).

Demands will be presented. Study how the current Chinese or Russia handles these issues. Certain foreign news agencies and/or equivalent media companies will be considered hostile political entities (political propaganda centers).

Re-organising the educational sector

Universities, colleges, high school, secondary and primary schools etc.

Administrations, Board of directors and staff must be screened thoroughly. Background checks must be done for all individuals. Individuals who have historically supported a cultural Marxist/multiculturalist view should be replaced by cultural conservatives and/or re-educated.

Furthermore, School/university curriculums must be revised thoroughly.

Arrest any category A, B or C traitors.

3.137 Cultural conservative/nationalist reforms during and after phase 3

- 1.** Prevent Islamic influence and repel all current Islamic elements in Europe.
- 2.** Initiation of European cultural renaissance (With emphasis on Educational and cultural reforms).
- 3.** Militarily assist cultural conservative movements in neighbouring countries.
- 4.** Assist with coups in neighbouring countries and consolidate forces (with friendly new cultural conservative governments).

The current political systems will be reformed (emphasis on converting current Western European political systems to constitutional democracies (certain "managed areas"). This will include reforms on the following fields:

Defence

Culture (Religious and cultural reforms). Islam will be reclassified as a totalitarian, genocidal and racist political ideology (on par with national socialism and multiculturalism) and subsequently banned.

- Multiculturalism, an anti-European hate-ideology
- National Socialism, an anti-Jewish hate-ideology
- Islam, an anti-Christian, Jewish, Hindu, Buddhist, Atheist hate-ideology

All traces of current and past Islamic influences in Europe will be removed. This includes mosques and Islamic cultural centers. All Muslims will be deported from European territory.

Individuals who converted to a "friendly religion/ideology" in phase 1. and 2. and who accepted the assimilation requirements will be considered European citizens. All individuals of the Buddhist, Hindu, Jewish or otherwise "friendly faiths/ideologies will be regarded as friends/allies/brothers and sisters of all Europeans and may not be subject to the same assimilation demands now or in the future.

Secondary goals

Disallow current and future European political Russo-phobic activity. This includes disallowing the current anti-Russian activities lead by several EU countries (the UK and Nordic countries in particular).

These anti-Russian activities has been ongoing for more than 100 years and peaked during the British Prime Minister Disraeli's reign (when the UK agreed to protect the Islamic Ottoman Empire from Russia receiving Cyprus in return).

We acknowledge that integrating Russia and the "former" EU will be challenging (due to decades of anti Russian propoganda in certain EU countries) but we will succeed providing that Russia accepts our demands.

Emphasis will be put on cultural and educational reforms in order to complete this objective. Historical information concerning past European anti-Russian political leaders will be revised. It is essential in this process that past opportunistic traitors such as Disraeli are labelled as traitors to all Europeans and that we conclude, cheer and acknowledge the fact that Russia did indeed play the primary role in crushing the Islamic Ottoman Empire, liberating millions of Europeans from Dhimmitude and thus deserves the gratitude of all Europeans.

Opportunistic anti-European activities such as those of the Disraeli government (and similar regimes) will be condemned as traitorous acts. Any Christian country that allies itself with a Muslim country against a Christian cousin should in the future be considered as an enemy of all Christian countries.

Once political and military control has been secured in at least one of the following countries we will initiate our secondary goals:

- France
- Germany

- United Kingdom

When one of the above "key" countries are liberated from the grasp of the cultural Marxist/multiculturalist elites we will continue to support our European brothers to eliminate the rest of the MA100 (Multiculturalist Alliance)

Any European cultural conservative country (with the exception of the above) should be very careful to initiate any hostile acts (deportations etc.) unless it has the support of any of the above (or Russia).

3.138 After the civil war – how to win the peace, creating a sustainable balance between conservatism and liberalism

"First they ignored us, then they laughed at us, then they fought us - then we won. "

Mahatma Gandhi

Finding the perfect balance between liberalism and conservatism will prove to be a very challenging task. It is hard to please everyone and certain groups will always be disappointed. It might be tempting to just implement all the conservative policies we prefer considering we have political and military control. However, it should be our primary goal to acknowledge and respect the extreme liberals and try to appease them.

The Marxists – our enemy

Marxists (all category A and B traitors) will be shown no mercy whatsoever. They will all be executed due to their war crimes listed in point 1-8.

Appeasing the extreme liberals

Let's be realistic. Less than 10% of a country's population are extreme Marxists and less than 10% are extreme cultural conservatives. The great bulk of our people are moderate people who just want the right of self determination and the opportunity to live a happy and meaningful life. It is our task to provide everyone the opportunities they desire as long as it doesn't severely undermine the long term sustainability/stability of the country.

A Marxist is always a liberal (except for the authoritarians) but a liberal is not always a Marxist. There is a great deal of liberal individuals who want unrestrained freedoms for themselves while some radically conservative want to live like the Amish. The challenge is finding a sustainable and optimal balance.

The following suggestion will contribute to reconciliation between a majority of people:

Create inner city zones where extreme liberals will be offered to live and work. These zones should have regulated/controlled entry points. Everyone leaving and entering will be registered to avoid excessive cultural contamination:

There should be at least one of these liberal zones per country (extreme Las Vegas style). Suggested liberal zone regulation:

- Radically liberal in regards to moral and ethical standards
- Unrestricted access to alcohol, marihuana, prostitution and entertainment (hard drugs will still be illegal).
- Unrestricted possibilities for artistical, sexual, cultural expression (exceptions are political messages that indirectly/directly undermine the best interest of the nation state such as many Marxist political doctrines).
- Alternative schools – providing that they are residents in the zone (up for consideration).
- Separate media – radically liberal – no censorship (with exception of political propaganda). Access to the liberal media networks will be limited to residents of the liberal zone to avoid unnecessary cultural contamination.

Points may be added or ignored based on future circumstances and other considerations.

What do to with all the discontent moderate Marxists?

Keep in mind that many of these individuals are victim of four decades of multicultural (cultural Marxist) indoctrination and should not be considered enemies of the state (with the exception of category A, B and C traitors). A majority of moderate Marxists is likely to choose to live in liberal zones.

Eastern Europe

Appeasing the Eastern European cultural conservatives

There is a great risk that the Rom/gypsies in the future will be severely persecuted in Eastern Europe. They even risk being massacred. How can we avoid this?

A majority of the Rom/gypsies are descendants of Hindu slaves brought to Europe through Hindu Kush by the Ottoman Caliphate. Approximately 100 000 Rom slaves were left behind after the Battle of Vienna in 1683. They were never invited by Europeans and are today resented by a great deal of Eastern Europeans for various reasons, their criminal behaviour being one. A majority of Rom are unwilling to assimilate to European culture and norms.

A realistic solution would be to give the Rom/gypsies a nation of their own as they are totalling approximately 5 million individuals worldwide (with a majority living in Eastern Europe). They should be granted land in Eastern Anatolia after we liberate West/East Anatolia at the end of this century. Problem solved and a potential future genocide prevented. This option will be given to those unwilling to assimilate.

3.139 Distinguishing between cultural Christendom and religious Christendom – reforming our suicidal Church

A majority of so called agnostics and atheists in Europe are cultural conservative Christians without even knowing it. So what is the difference between cultural Christians and religious Christians?

If you have a personal relationship with Jesus Christ and God then you are a religious Christian. Myself and many more like me do not necessarily have a personal relationship with Jesus Christ and God. We do however believe in Christianity as a cultural, social, identity and moral platform. This makes us Christian.

A majority of Christians, especially liberal, humanist Christians oppose the doctrines of self defence. I believe that self defence is a central part of Christianity as documented in another part of this book. The modern day pacifist Christianity is among other things a result of our current regimes and their deliberate influence of the Church. They castrated and made the Church impotent and irrelevant, we will rejuvenate it by implementing our own reforms. But pragmatism will be the basis for which direction we chose to go. A strong church (on certain areas) is essential for the unity of our European countries.

It is essential that we preserve and even strengthen the Church and European Christendom in general (by awarding it more political influence on certain areas), when it comes to the moral, cultural and social aspects of society. It should even be granted monopoly on certain areas to strengthen European cohesion/unity. This does not mean that we will continue allow the feminist-liberal, humanist faction of the Church to propagate its pacifist-humanist (suicidal) views/anti self defence doctrines. The Church must be anti-pacifist in the manner that it actively preaches self-defence and even support preemptive strikes as a mechanic to safeguard either Christian minorities in Muslim dominated areas or even Europe itself. We must ensure that a sustainable and traditional version of Christendom is propagated. This will involve that we take decisive steps to disallow the liberal leaders of the church to prevent them from committing suicide. We must ensure that the churches of Europe propagate an values that are sustainable and that will even contribute to safeguard Christian European values long term. European Christendom and the cross will be the symbol in which every cultural conservative can unite under in our common defence. It should serve as the uniting symbol for all Europeans whether they are agnostic or atheists.

The pacifist/suicidal Christians must never be allowed to dominate the church again which one of the reasons why I personally believe that the protestant Church in Europe should once again should reform to become Catholic (Nordic countries, the UK, Germany, Benelux etc). Re-introduction of cultural and Church aspects relating to honour should be the core of our objective when reforming the Church. My hope is that the future nationalist leadership in Western European countries will agree. At the very least, we must support the conservative, anti-pacifist cultural Christian leaders and ensure that they are able to influence the European churches. There must however be clear distinctions. The Church must not put any limits whatsoever on issues relating to science, research and development. Europe will continue to be the world's center for research and development in all areas, strengthened by a predictable and "unchangeable" cultural framework. This again will considerably strengthen European and societal cohesion and therefore contribute to sustainable societies where harmony, progress, freedom and the furtherance of mankind are the primary civilisational pillars.

3.140 Creating a "European Federation", economic, cultural and military alliance

It may be constructive to consider creating a federation (just like the early days of the EU/NATO) with secondary membership (A and B members) based on fixed factors (ranging from cultural, economical etc.). However, this will depend heavily on if each newly liberated sovereign country will allow an open border policy. It is likely that regional open border policies will be allowed based on historical cultural and economical factors (for example the Nordic countries are very close culturally and may allow this).

The European Federation of the future must no longer be envisaged in the mushy, ungovernable forms of the present European Union, which is a powerless Medusa, unable to control its borders, and dominated by the mania of cultural deconstruction, free-trade, and subject to American cultural domination. We need to imagine a grande monocultural Europe, based on the cultural and economical cooperation of independent countries that will in a larger degree be inseparably linked to Russia. Having no need to be aggressive toward its neighbours because it would be un-attackable, such a bloc would become the premier world power (in a world partitioned into large blocs), self-centered, pan-nationalistic and opposed to all the dangerous dogmas now associated with globalism/multiculturalism. The new European Federation will be much more isolationist with a policy of economic nationalism (protectionism). It would have the capacity to practice the 'autarky of great spaces' (economic self-sufficiency and independence from foreign markets) whose principles have already been worked out by the Noble Prize winning economist, Maurice Allais. The destiny of the European peninsula cannot be separated from continental Russia, for both ethno-cultural and geopolitical reasons. It's absolutely imperative for America's mercantile thalassocracy (naval supremacy, in either military or commercial senses of the word) to prevent the birth of the culturally and ideologically confident European Federation.

- Current EU countries (+ Switzerland, Norway, Iceland, Andorra etc.)
- Russia (Their partnership, friendship and support is essential).
- Belarus (potential admission)
- Ukraine (potential)
- Moldova (potential)
- Georgia (potential)
- Croatia
- Serbia
- FYROM (potential)

Non-European territories/countries that may seek admission:

- Armenia
- Israel (potential)

And the following potential European and non-European territories:

- The Serbian/Croatian territory currently known as Bosnia Herzegovina
- The Greek/Croatian/Serbian/Albanian territory currently known as Albania
- The Greek territory currently known as Western Anatolia (Turkey)
- The Greek-Cypriot territory currently known as Northern Cyprus (Turkey)
- The Armenian territory currently known as Eastern Anatolia (Turkey)

From liberation to consolidation towards the European Federation

Russia has the potential to become our worst enemy or our best friend. I believe the latter even though multiculturalism (anti-nationalism) still is a factor Russia.

As for the realistic outlooks in phase 2, it will be too hard for small countries to be the first to break out of the multicultural (EUSSR/US) hegemony. Many of the smaller countries aren't self sufficient on food production so they will suffer hard when the EU/US responds with a full boycott and psychological warfare campaign by the hand of the MSM (and they will for sure, remember how Austria and Serbia was demonised a few years ago).

Russia will not reveal its intentions for a small European country due to tactical reasons. The reason is that Russia knows that in order to fulfill the minimum of the requirements as a trustworthy cultural and military partner it has to at least partly seize its union with Muslim nations like Kazakhstan and Tajikistan. Russia must either chose between its Muslim Siberian course or the newly liberated W. European allies. Russia will be unwilling to do this for anything less than "an attractive" option. A small European country alone does not fulfill Russia's minimum demands to change its current path. Thus we are depending on that France, Germany or UK breaks out of the current hegemony first.

I have little faith in the cultural and political self confidence of Germany. They are still suffering from severe psychological trauma from WW2 which leaves either France or the UK. Neither country has managed to successfully convert anti-Marxist/Islamic/mass immigration sentiment into successful political opposition yet although this is slowly changing.

Italy and Denmark have managed to do this to a certain degree so the potential is there. However, they may feel they are too small/insignificant alone to take the full step. They currently lack the self confidence to break out of the hegemony because they are not yet ready and they will tread carefully and avoid taking unnecessary chances.

One of the three larger European nations will and must break out eventually, I estimate within 20-70 years. As soon as Germany, France or the UK does, we will see a few smaller nations breaking out with them as well. At this point, Russia will be ready with support. A new type of cultural and military alliance will be born (not necessarily political as all nations involved will have complete sovereignty). A cultural conservative "European Federation" will be born.

I believe Russia will be an essential partner in this future process as the first country breaking out will rely heavily on Russia.

The first country breaking out of the current EUSSR/US hegemony will encounter numerous problems. This is the reason why I don't think Italy or any small country will have the courage to go first. Even Serbia chose submission to the EUSSR/US hegemony rather than take the risk of ending up as a new Belarus.

The outlook of breaking out first as a mini-country is too horrid. Because the current EUSSR/US will consider this act as a potential existential threat and will do ANYTHING to prevent it from happening. They will hit hard and use all the available tools in their arsenal. They are likely to initiate the most devastating media campaign in history (psychological warfare) against that country in order to manipulate the public consensus. They will use all diplomatic, economical and perhaps even eventually military measures to state an example and prevent the process from completing and spread to other countries. This is the reason why a country cannot do this alone and will rely on other countries. Because if that first country succeeds it will be the beginning of the end for the

EUSSR/US hegemony. That country will in the beginning be completely isolated from the EU/US, it will be kicked out of NATO and every relevant international organisation. It will be overwhelmingly ridiculed, demonised and abused. It's a nightmare scenario for any country and the people will suffer to a certain degree during this transitional period.

It will take a very long time before we are at this crossroad but it will happen eventually – because multiculturalism (especially when Islam is involved) is a self-defeating ideology. As soon as the first big country breaks out the EU's fate will be sealed. It will either implode or it will have to become stalinistic.

I wouldn't count on the US. They have too many problems of their own and Obama is turning the country into the USASSR. The US became a victim of self defeat the moment (this happened during the 80s) the Democratic and Republican Party decided (against the wishes of the people) that they were not going to be a European Christian country anymore.

Many will claim that even France and the UK are already doomed and that there is no hope. Those pessimists should study history, especially the Lebanon scenario more closely. Remember the Lebanon example, once a Christian country (80% Christians in 1911). When Islam became dominant (60% Muslims in 1970) they became so confident that they (the Ummah) indirectly declared war, for allegedly conspiring with the Israelis. The Christians lost in 1990 and now there is less than 25% left.

Prior to the civil war in Lebanon, much like Europe today; the country was controlled by Marxist/humanist appeasers of Islam. Just like in Europe they allowed Islamic demographical warfare to a point which led them to civil war when Islam reached 60% in the 1970s. The only reason why the "Christian nationalists" lost was because the neighbouring Muslim countries helped their fellow Muslims while Europe (especially France, who was now in bed with the global Ummah) did little to help their eastern Christian cousin. Another reason why they lost was because too many who should have fought ran away and emigrated to Europe and the US.

Just like in Lebanon, the Muslims will become overconfident in Germany, the UK and France eventually (we are already seeing clear signs of this). Germany, France or the UK will come to their senses. Europeans will gradually understand what our elites are doing and will begin to wage a guerilla war. There will be sporadic attacks in phase 1 (1999-2030) but the attacks will intensify until the point where a window of opportunity will arise during phase 2 (2030-2070) where the European nationalists will successfully seize power. This is how the Europeans will win. We will win due to the simple fact that we have nowhere to go, while our colonisers still have their homelands intact.

France is likely to be the first country breaking out. Remember that they are the epicenter of Islamisation in Europe with 12% Muslims (as of 2008). Marseilles is THE epicenter, with 38% Muslims now (2008).

So, in approx 20-70 years the first major W. European country will break out and seek a federation with Russia. If this country will be the UK, Germany or France is to early to determine at this point (although France is the likely choice). Italy, Serbia, Austria, Czech Republic, Slovenia, Slovakia and a few other countries will join, followed by others.

This will result in a similar process in the US. Several states are likely to break out at one point although it is much harder to predict an American outcome. These new states may join this new nationalistic European Federation providing they support the ideological doctrines. Australia and other European countries are likely to join at one point as well.

Hopefully it will be the beginning of the end for multiculturalism countries formerly known as the EUSSR/USASSR cultural hegemony.

Possible timeline for the creation and growth of the European Federation:

2040-2083: France or the UK + Italy + 5 smaller countries + Russia

2083-2110: The rest of Europe + Russia

2110-2150: Europe (with Russia) + parts of the former US (after the civil war) – Western and eastern Anatolia territory liberated by European Federation forces and annexed and reunited with Armenia and Greece, + Middle Eastern strategy

Creating a new European military alliance

The first action any liberated European country should do is to leave NATO and seek a military alliance with Russia and other European cultural conservative countries. NATO (North Atlantic Treaty Organisation) will optimally end up as a shade of its former self consisting of only the US, Turkey and Albania. At this point (assuming that the US haven't been substantially weakened by economical recessions and have avoided their own civil war), the US will have no choice but to live in a much more isolated world, excluded from any cooperation with the European Federation, or choose to change its ways.

We, on the other hand, will continue to consolidate a new European military alliance consisting of all newly liberated European countries and Russia. We should then create and consolidate a new European economical, military and cultural alliance consisting of Russia and all European cultural conservative countries.

Why dissolve NATO?

Americans will soon have their hands full with problems of their own and will be in no position to assist anybody even if they wanted to. Europeans can and should maintain good relations and cooperate with ordinary North American citizens, who live under the same Multicultural regime as we do, but we cannot and should not rely on aid from the American elites. They are as hostile as the EU elites, as their support to Turkey's EU membership proves. Pushing for Turkey's EU membership is the same as pushing for increased Jihad (through Islamic demographic warfare) and deconstruction of European nationhood and is therefore totally unacceptable. Why would we want to have relations with a country who wishes to destroy us?

There are other issues as well:

- An American military presence in Germany is unacceptable.
- The NATO atrocities against Serb forces were unacceptable.
- US intervention in European matters is unacceptable.
- US exports of high tech weaponry to Islamic countries are unacceptable.
- Turkey's and Albania's NATO memberships are unacceptable.
- US cultural domination over Europe is unacceptable.

Creating a new global military alliance

A new military alliance will be created with emphasis on the following countries:

The above mentioned countries/territories including:

- India
- China and/or Japan/South Korea/Taiwan

We must attempt to include all Christian, Buddhist and Hindu countries in this expanded military alliance. Russia will have to leave CSTO – the Collective Security Treaty Organisation currently consisting of Armenia, Belarus, Kazakhstan, Kyrgyzstan, Russia and Tajikistan. Depending on the US, an alternative would be to maintain NATO if the US agrees to invite Russia and to expel Albania and Turkey.

All countries of the new military alliance will have to support the cultural conservative territorial claims (the Middle Eastern/Anatolia crusader campaign) and participate in the campaigns which involve deportation of all Muslims from the Balkans and any remaining entrenched Muslim group in Western Europe.

It is uncertain how Georgia, Moldova and Ukraine will react to a friendly approach but attempts must be made to include them in the alliance.

Countries excluded

The Muslim world will be completely isolated until the day Islam ceases to exist.

Why we have to break out of the EUSSR/USASSR cultural hegemony

Some people will say; why do we have to seek a federation with Russia? We can just tell the EU/US to stop harassing us and continue business with them as usual after we have liberated our countries?

It is well known fact that russophobia is relatively entrenched in some European countries, in particular the UK, the Nordic region, the Baltic region and some other Eastern European countries. This will of course play a factor in how we chose to move forward. However, the problem is that at this point, 2030-2070 (before the cultural conservatives have seized power), W. European countries will all be close to collapse due to the crimes committed by our elites. There will be Muslim majorities in some countries and our capitals will resemble Beirut in the 1960/70s. The nationalist movements at this time will be hunted and persecuted harshly just like the Nazis persecuted and executed European resistance fighters during WW2. When we eventually win and manage to seize control over our own countries we will not repeat the mistakes from the past (ignoring the Marxists/ multiculturalists/humanists/globalists and letting them re-infiltrate later). We are going to exterminate them all (category A and B traitors only of course) which will result in the execution of tens of thousands all over Europe. When these execution campaigns are completed we will deport all Muslims. It will not be easy as no one will be willing to facilitate us so we will have to use very creative means.

When all this is done, we will be considered as genocidal war criminals by the remaining EUSSR countries and the US. In others words, we don't really have a choice but to build a new federation/alliance from scratch.

3.141 The negotiations between the European Federation and the USASSR/EUSSR block and Muslim countries in the phase 3 transition period (prior to deportations) and the outlook for the European Federation companies' current investments in the Muslim world

In phase 3 (2060-2090) the cultural conservative tribunals (which at this point is controlling the liberated European countries) will take measures to take the appropriate steps in order to safeguard European Federation economical interests in EF territory and in the Muslim world prior to any permanent resolution of mass deportation of Muslims from Europe.

The reason for this is to ensure that we lay claim to all potential advantages available to us and can act in accordance with perceived outlooks. It is easy to anticipate how the Muslim world will react to any permanent resolution of mass deportations so it is essential to implement certain mechanisms PRIOR to implementation of given doctrines.

So, what will happen to the European Federation companies' current investments in Muslim countries? This really depends on how the Muslim world reacts when we deport 25 million Muslims (2008 number, 50 million as of estimated 2030 number, 100 million 2060 number). Each and every Muslim nation will react differently and we should expect a synchronised response or an initiation of some sort of attack "campaign" from the Arab League. It is expected that they will halt all petroleum exports and other commodity export to members of the European Federation and anyone neutral to us. When they realise that the deportations will continue they are likely to seize control/nationalise all European Federation assets and infrastructure currently on their territories. This will include luxury hotels, petroleum related plants, and other industry infrastructure. European Federation nationals working in these Muslim countries are likely to be deported to their country of origin or may even be kidnapped and used as an extortion chip which would be the traditional Islamic way.

Needles to say, as a result of these reactionary Muslim nationalisation/deportation campaigns, we will act in the same manner in all European Federation countries. In fact, this would have already be done prior to the first step to ensure that we have a solid position for negotiations with the individual Muslim countries.

The following approach should be followed when negotiating with each Muslim nations:

1. All Sunni nations should be strongly advised to leave the Arab League and apply for the status of a tertiary protectorate of the European Federation. This will mean that they will accept the consequences of our future pre-defined Crusader campaign in the Middle East which will involve liberating Western/Eastern Anatolia, the creation of a Maronite, Coptic, Assyrian and Rom nation and expand Israels border to include Gaza and the West Bank. The so called "Palestinians" will be deported back to Syria.
2. As for the negotiations with each Muslim country; any agreement must include that they are willing to accept a fair share of expelled Muslim individuals from European Federation countries. This will include f example individuals where factors surrounding the repatriation efforts are disputed or are considered exceptional circumstances (may also involve EF Marxist converts to Islam). All Shia nations (Iran) and Shia controlled territories (parts of Jemen, Iraq etc) should be advised to apply for the status of a tertiary protectorate of the EF.
3. Terms offered to Muslim countries should be open for discussion and can be flexible as long as it will benefit the long term goals of the European Federation and each individual European country.

Sunni and Shia countries/territories likely to apply for the status as a tertiary protectorate of the European Federation: Kurdistan (Former Iraq, depending on their support for the liberation of Eastern Anatolia. UAE, Bahrain, Kuwait, Egypt, Qatar – might apply due to the fear from Islamic fundamentalists (a majority of these regimes are puppet regimes who fear the wrath of the Ummah).

Kurdistan is the only likely alliance partner (they are hated by both Turks and Arabs). The rest of the nations are much more uncertain. The Western puppet regimes of Egypt and certain other countries are likely to be overthrown by devout Muslim groups who will view us as their sworn enemy.

If negotiations fail with a country all frozen assets of that particular country will be expropriated by the appropriate EF nation unless equivalent resources can be swapped as they are sure to do the same. Any remaining infrastructure in that particular country will be considered lost and subsequently will be bombed by EF fighter jets. The country in question will be considered hostile and as all official and industrial connections now are cut, will be completely isolated.

Any isolated countries can be used as a collective mass dumping ground for deported individuals (see "militarily securing dumping sites/ports temporarily in Muslim countries" in another chapter).

It is likely that the other international block the USASSR/ with remaining EUSSR countries (depending on how strong they are at this point) will attempt to sabotage any agreement by pressuring the Muslim nations (concessions in return for military protection). The US might threaten with military attacks if we attack any Muslim nation. We should consider putting our Anatolia/Middle Eastern crusader campaign on hold until this block (USASSR/EUSSR) has imploded. This might take a few more decades but will happen eventually. However, what we cannot halt is our deportation campaigns (which will involve the securing of ports in order to safely transport the Muslims). The USASSR/EUSSR block will have no choice but to accept this as the alternative would be genocides, something everyone should contribute to prevent.

3.142 Future foreign policy – deportation and territorial claims

The new “conservative order” should (once consolidations of Western and/or Eastern European cultural conservative military tribunals have been established) prepare for mass deportations of all Muslims living in Europe. The first step will be the construction of huge transit zones.

Deportation should be completed in two stages

1. Deportation of all Western European Muslims.
2. Deportation of all Eastern European Muslims.

It's important to create a different strategy for both stages as most Muslims in Eastern Europe have lived there for several centuries (a majority who are even ethnic European - Bosniaks and Albanians). As such, they will not accept being deported from Europe and will fight for their survival. A more long term and brutal military strategy must therefore be applied.

Creating major transit zones

Transit zones are safe and heavily guarded areas (barrack cities) where Muslims will be placed awaiting deportation. Transit zones should be built close to a sea port and/or railway line (depending on which transportation method will be used for the deportation).

It is essential that each area is fenced in with barb wire and armed guards.

Creating transit zones (in regards to mass deportations).

- Transit zone 1 – Coast of France
- Transit zone 2 – Coast of England
- Transit zone 3 - Coast of Spain
- Transit zone 4 - Coast of Italy
- Transit zone 5 - Coast of Albania
- Transit zone 6 - Coast of Greece

In addition, smaller transit zones may be created on other locations.

Albania should be declared as the official Muslim transit zone for the Balkans.

3.143 Creating a New Europe and a new Middle East (see map)



Map showing European/Christian/Israeli territorial claims. Nation of Rom (located in "new Armenia") and Zoroastrian Nation not specified in illustration)

European territorial claims (primary claims):

1. The Serbian territory - Kosovo

All Muslims (primarily Albanians) will be deported to the nearest transit area (Albania) awaiting deportation from Europe. Kosovo will be reunified with Serbia once again.

2. The Serbian/Croatian territory currently known as Bosnia Herzegovina

Bosnia Herzegovina will be divided in a Serbian (60-70%) and Croatian (30-40%) part divided after historical ethnic lines. All Muslim individuals (Bosniaks and Albanians) will be deported to the nearest transit area (Albania) awaiting deportation from Europe. See "*Graz agreement*"[1]. Map indications are not precise as I was unable to find the Graz agreement maps.

1. http://en.wikipedia.org/wiki/Graz_agreement

3. The Greek/Croatian/Serbian territory currently known as Albania

Suggestion: Albania will be divided in a Greek (20%), Monte Negro (20%) and a Christian Albanian part (60%). All Muslim Albanians will be deported to central Anatolia.

4. The Greek-Cypriot territory currently known as Northern Cyprus (Turkey)

All Muslims will be deported to central Anatolia. Northern and Southern Cyprus will be reunified under Christian Greek rule once again.

Middle Eastern territorial claims (secondary claims):

Muslim nations, with their appalling lack of education, manufacturing infrastructure and modern technology (especially involving instruments of war) will be hard pressed to confront a world united to stop Islamic expansion, especially if their one source of economic power, oil, loses its primacy.

5. The Greek territory currently known as Western Anatolia (Turkey)

All Muslims will be deported to central Anatolia. Western Anatolia will be reunified with Greece once again.

The territorial claims involves territory in Northern Epirus, Thrace (including Constantinople and ofc Agia Sophia), the islands of Imbros (Gökçeada) and Tenedos (Bozcaada), and parts of western Anatolia around the city of Smyrna to name a few areas. These areas (and many more) contained sizable ethnic Greek populations.

See map of Christian European claims presented by Mr. Eleftherios Venizelos at the Paris Peace Conference in 1919. It's worth noting that the western Allies, particularly British Prime Minister David Lloyd George, had promised Greece territorial gains at the expense of the Ottoman Empire if Greece entered the war on the Allied side (which it did).

Source: <http://en.wikipedia.org/wiki/File:ParisPeace-Venizelos-Map.png>



Even the Treaty of Sevres which was signed by the Ottoman officials, in 1920, acknowledges partial Greek territorial demands in Anatolia.

Treaty of Sevres[1] + map [2]

1. http://en.wikipedia.org/wiki/Treaty_of_sevres
2. [http://en.wikipedia.org/wiki/File:TreatyOfSevres_\(corrected\).PNG](http://en.wikipedia.org/wiki/File:TreatyOfSevres_(corrected).PNG)

6. The Armenian territory currently known as Eastern Anatolia (Turkey)

All Muslims will be deported to central Anatolia. Eastern Anatolia will be reunified with Armenia once again. See Treaty of Sevres for more details.

Treaty of Sevres

http://en.wikipedia.org/wiki/Treaty_of_sevres

7. Re-establish Christian Lebanon

Restore Lebanon as a Christian nation (deporting all Muslims). Maronite Christians in the north, other Christians in the south.

8. Establishing of a Christian Coptic nation (NE Egypt).

9. Establishing of a Christian Assyrian nation.

The Assyrian Christian people (known as Assyrians, Syriacs, Syrian Christians, Syriac Christians, *Suroye/Suryoye* and other variants, see names of Syriac Christians) are an ethnic group whose origins lie in the Fertile Crescent, their homeland today being divided between Northern Iraq, Syria, Western Iran, and Turkey's Southeastern Anatolia. Most of the Christian Assyrians have been forcibly converted, many have been killed in numerous Jihadi genocides and pogroms the last centuries. Many have migrated to the Caucasus, North America and Europe during the past century.

Assyrian/Syriacs Christians in Syria are a significant minority that lives in the north and northeast (al-Qamishli, al-Hasakah) and number around 700,000. Their numbers have been boosted by many Iraqi refugees since the Iraq War.

Middle East countries with significant populations:

Homeland

Iraq 150 000-830 000

Syria 52 000-735 000

Iran 10 500-103 000

Turkey 4 000-70 000

Diaspora

United States 83 000

Sweden 80 000

Jordan 77 000

Germany 70 000

Australia 25 000

1. http://en.wikipedia.org/wiki/Assyrian_people

2. http://en.wikipedia.org/wiki/File:Fertile_Crescent_7500_BC_DAN.PNG

10. Establishing a Romani Nation (gypsies)

A Nation of Rom should be established for European gypsies. Gypsies (Originally Indian Hindus) were enslaved prisoners of war and most of them were taken through Hindu Kush as the Islamic military campaigns progressed through Sindh (Currently Pakistan) year 800-1900. The Ottoman Caliphate kept hundreds of thousands of Hindu slaves which were instrumental in the military campaigns against Eastern Europe.

There are approximately 5 million Rom around the world today.

European countries with significant populations:

Spain	650 000
Romania	535 140
France	500 000
Bulgaria	370 908
Hungary	205 720
Greece	200 000
Russia	182 766
Italy	130 000
Serbia	108 193
Slovakia	89 920
Germany	70 000
Macedonia	57 722

1. http://en.wikipedia.org/wiki/Romani_people
2. [http://en.wikipedia.org/wiki/Roma_\(Romani_subgroup\)](http://en.wikipedia.org/wiki/Roma_(Romani_subgroup))

11. Israel (the Gaza strip, the West bank and Jerusalem)

- Assist Israel in deporting all Muslim Syrians (also referred to as "Palestinians") from the Gaza strip, the West bank and Jerusalem. These territories will be included in Israel. However, Jerusalem will come under joint Christian-Jewish administration.

- Demolish the abomination known as the Al-Aqsa mosque and the Dome of the Rock in Jerusalem and rebuild the Temple of Salomon – the Third Temple as described in the Book of Ezekiel, chapters 40-42. The Third Temple will become a place of worship for both Jews and Christians. The Dome of the Rock is regarded as occupying the actual space where the Temple once stood.

- Jerusalem will once again become a city shared by Christians (50%) and Jews (50%).

http://en.wikipedia.org/wiki/Temple_of_Salomon
http://en.wikipedia.org/wiki/Third_Temple
http://en.wikipedia.org/wiki/New_Jerusalem
<http://en.wikipedia.org/wiki/Dispensationalism>
http://en.wikipedia.org/wiki/Dome_of_the_Rock
http://en.wikipedia.org/wiki/Al_Aqsa_Mosque

12. Creating an African strategy (tertiary claims)

Assist our Christian African brothers, especially in Kenya, Sudan, Nigeria (Biafra), Cote d'Ivoire, Togo, Liberia, Ethiopia, Angola and Eritrea against the ongoing Jihads.

Emphasis should be put on reversing historical Jihadi demographical warfare.

- Create a Christian nation of Sudan.

In Sudan, the stated objective of the ruling regime is to Arabise and Islamise the African Christian and Animist population of the south. Particularly since 1992, the Sudanese government has been waging a military campaign aimed at dispersing, enslaving, and subduing the southern Blacks. There are ongoing Jihadi Genocides being waged against Sudanese Christians and animists and smaller Jihads in other African countries.

A complete Africa strategy will have to be drawn up once we have completed our primary and secondary territorial claims.

13. Create a Zoroastrian State in the Middle East (Northern Iran)

Sources:

1. <http://en.wikipedia.org/wiki/Zoroastrianism>

3.144 European Federation military campaigns against Muslim Bosnia Herzegovina, Muslim Kosovo, Muslim Albania, Turkey, Syria (Lebanon), Jordan and Egypt

Several issues will have to be clarified before initiating a campaign of this magnitude. A thorough military and logistical strategy will have to be developed.

Campaign one – reconquista of Europe (West/East)

1. Western European countries
2. Balkans

When a large part of Western Europe (and the Balkans) is liberated from cultural Marxism, wait for the rest of the nations to join the alliance. The US will implode eventually and no measures should be taken (depending on several factors) against Turkey and the liberation of our Middle Eastern Christian cousins before the US civil war P2 or P3 starts.

The US government will do EVERYTHING to prevent Europe from forming the European Federation with Russia, as it would mean the end for the US as the world's primary cultural and military superpower.

Also, before engaging Turkey or any Middle Eastern country the most important thing is to launch a military campaign against Pakistan taking their nuclear capabilities away from them. If this is not done they will surely transfer the technology to Turkey and other Muslim countries. No Muslim countries will be allowed to have nuclear weapons! This is the most important principle. It may come to a situation where we will be forced to delay our Anatolia campaign for up to a few decades, in order to prevent an armed confrontation with the US. The US is in a process of rapid cultural and cohesional disintegration so a window of opportunity will eventually arise. We should strive to

include the new nationalistic minded leadership of the US in to the European Federation after the multiculturalists have lost power.

Campaign two – secondary claims (Cyprus, Anatolia)

A military campaign should be launched against Turkey with the goal of liberating Greek Western Anatolia, Northern Cyprus and Armenian Eastern Anatolia.

Biological and chemical attacks might prove useful as it will leave the infrastructure intact.

The US will use threats and will perhaps attempt to militarily defend Turkey, Kosovo, Bosnia Herzegovina, Lebanon or Syria.

3.145 Logistical, military and diplomatic issues in regards to deporting Muslims from Europe

Which countries will the Muslims be deported to and can we expect the target countries to cooperate?

It is unlikely that any destination points (Muslim) will willingly cooperate to accept millions of Muslims. Creative methods will need to be used for the large scale voluntary or involuntary population transfer.

Transportation

Transport by cruise ships may be one option. Creating naval convoys escorted by the military.

Target destination

One solution would be to secure destination areas in each country. Securing a port in each country and creating a temporary transit zone which will be guarded by a military presence.

3.146 Evacuating Christians in the Middle East in regards to the new Christian nations

There are around 12 million Christian Assyrians, Copts, Maronites and other Christian Orthodox/Catholic minorities who currently live under harsh Dhimmitude. Our objective is to offer them citizenship in the new Christian nations.

Measures must be taken to evacuate these people in one or several safe zones (after we secure them militarily). The first one will be Christian Lebanon (with half of the territory given to the Christian Maronites). The goal should be to annex new territories creating three new nations (See map):

1. Consolidate Christian Lebanon
2. Establishment of a Christian Coptic nation (NE Egypt).
3. Establishment of a Christian Assyrian nation.
4. Establishment of a Romani Nation

Size of the annexed nations will be based on the size of the populations.

This will be an extremely difficult transition though as it is likely that Muslim countries/groups will initiate Jihadi pogroms and genocides as soon as Europe start with deportations. Many massacres of Christians is the most likely outcome as it is very unlikely that these vulnerable minorities will flee or evacuate before it is too late.

As soon as Europe starts to deport Muslims; Egypt, Syria, Iraq, Iran, Saudi and the rest of the Muslim World will declare war against Israel, Armenia and all Christian minorities in the Middle East with the intention of wiping them out. It's therefore important that all Christians in the Middle East are evacuated in the coming decades (phase 1 and 2). One option would be that they seek transitory refuge in Europe, Israel or Armenia while we start to liberate Lebanon.

Creation of temporary transit safe-zones in Western Anatolia, Lebanon and Albania?

When the Muslim populations have been expelled from Europe, we will have rather large unpopulated areas in Albania, Western Anatolia and Lebanon with the capacity to offer a permanent home (territory) to several Christian minorities. There will be large areas in Albania which perhaps can be the temporary home of some of these minorities depending on how the annexing of Middle Eastern territories transpires (the creation of a Coptic, Assyrian and Romani Nation). Israel might also serve as a temporary safe-zone for Middle Eastern Christians while we annex the territories.

3.147 Quick list suggestions – Future domestic and foreign policy

Obviously, these are my personal views. You can see more suggestions in another chapter.

- Militarily prevent Muslim countries/groups from acquiring nuclear weapons or other large scale WMD's.
- Creating a European population strategy, population cap for individual countries or for Europe/the world as a whole (equivalent to the demographical numbers of 1950). Policies must be created to govern these policies. Consider re-introducing a ban on abortion, or implementing other incentives for a sustainable population growth depending on objective (achieving a birth rate of 2,1 f example).
- Creation of strict constitutional European Monarchies/Republics (administered democracy). Mass democracy does not work as has been proven. The system will include cultural conservative principles, defence, immigration policies which can't be altered, liberal zones etc.).
- Development of alternative energy sources, to reduce dependence on oil
- Strengthen the Church's influence concerning cultural issues
- Introduce policies which strengthen the nuclear family (deconstruct Western European matriarchy structures).
- Introduce the death penalty (3 strike rule)
- Drug addicts should be sent to strict "reformation camps". Hard drug abuse must not be tolerated (however, marijuana may be permitted in liberal zones). The essence in fighting addictions is to take the victim away from his negative environment and giving him/her a meaningful goal/task in life (a majority of these individuals needs protection against themselves for a certain period). The current government policy does the exact opposite. Instead of trying to solve the root causes they act as facilitators for drug abuse by providing the addicts with government funded drugs. At the moment, Norway is one of the most liberal countries in regards to catering for drug addicts. At the same time Norway has the largest proportion of drug addicts (heroin addicts) in Europe.
- Re-education strategy for Marxists
- A committee should be created in each country that will research, investigate and map all compromised institutions and groups (previously under the influence of cultural Marxist/multiculturalist policies and ideas).
- Educational courses (f example 6 month courses) should be created which highlights "un-falsified" history and cultural conservative topics and presented to compromised groups. The course will be concluded with an exam in which each individual will need to pass.
- A similar exam may be held throughout Europe for all people in non-compromised groups (3 month course instead of 6).
- Consider new civilisational goals – from excessive consumerism where the acquisition of wealth is the driving force in our lives to instead, focus all our resources to better ourselves and the rest of our citizens scientifically and technologically/R&D. 20% of national GDP should be allocated to this purpose.

Christian justification of the struggle

"Rise up O Lord, and may thy enemies be dispersed and those who hate thee be driven from thy face. "

Psalm 67, Vulgate (also from Book of Numbers)

3.148 Pope Urban II and Pope Innocent III granted indulgence to all future Crusaders (martyrs of the Church)

In 1095 during the Council of Clermont, Pope Urban II declared that he remitted all penance incurred by anyone (crusaders) who participated in the first crusade.

The Pope dispenses indulgences from a reservoir of grace tied to martyrs of the church, those men and women who, by virtue of their suffering, assists in the intercession for all Christians. In the 12th Century, Pope Innocent III, expanded the Crusade indulgence to include anyone assisting with such endeavours.

Indulgences

An indulgence is the full or partial remission of temporal punishment due for sins which have already been forgiven. The indulgence is usually granted by the church after the sinner has confessed and received absolution. The exception is actions committed by those men and women who, by virtue of their suffering, assists in the intercession for all Christians (participates in Crusades, activities which involve protection of Christians, Christian interests or Christendom itself). Indulgences draw on the storehouse of merit acquired by Jesus' sacrifice and the virtues and penances of the saints and martyrs. They are granted for specific good works and prayers.

Indulgences replace the shortening of those penances that was allowed at the intercession of those imprisoned and those awaiting martyrdom for the faith. <http://en.wikipedia.org/wiki/Indulgence> - cite note-Oxford:Indulgences-2

Crusading is not just a right, but a duty according to Canon Law

Canon Law, the ecclesiastical law of the Catholic Church, is a fully developed legal system, with all the necessary elements: courts, lawyers, judges, a fully articulated legal code and principles of legal interpretation. The academic degrees in canon law are the J.C.B. (*Juris Canonici Baccalaureatus*, Bachelor of Canon Law, normally taken as a graduate degree), JCL (*Juris Canonici Licentiatatus*, Licentiate of Canon Law) and the J.C.D. (*Juris Canonici Doctor*, Doctor of Canon Law). Because of its specialised nature, advanced degrees in civil law or theology are normal prerequisites for the study of canon law.

- **Book IV - Function of the Church** (Cann. 834 - 848)
- **Part I. The Sacraments**
- **Title IV. The Sacramento of Penance** (Cann. 959 - 997)

Indulgences

Can. 992 An indulgence is the remission before God of temporal punishment for sins whose guilt is already forgiven, which a properly disposed member of the Christian faithful gains under certain and defined conditions by the assistance of the Church which as minister of redemption dispenses and applies authoritatively the treasury of the satisfactions of Christ and the saints.

Can. 993 An indulgence is partial or plenary insofar as it partially or totally frees from the temporal punishment due to sins.

Can. 994 Any member of the faithful can gain partial or plenary indulgences for oneself or apply them to the dead by way of suffrage.

Can. 995 §1. In addition to the supreme authority of the Church, only those to whom this power is acknowledged in the law or granted by the Roman Pontiff can bestow indulgences.

§2. No authority below the Roman Pontiff can entrust the power of granting indulgences to others unless the Apostolic See has given this expressly to the person.

Can. 996 §1. To be capable of gaining indulgences, a person must be baptised, not excommunicated, and in the state of grace at least at the end of the prescribed works.

§2. To gain indulgences, however, a capable subject must have at least the general intention of acquiring them and must fulfil the enjoined works in the established time and the proper method, according to the tenor of the grant.

Can. 997 As regards the granting and use of indulgences, the other prescripts contained in the special laws of the Church must also be observed.

Other popes who called for a Crusade

Pope Nicholas V ordered an immediate counter-attack after the fall of Constantinople in 1453. As Pope Pius II, the same Aeneas Silvius declared a crusade in 1459 for the recapture of Constantinople, but any genuine enthusiasm that existed was short-lived, and a crusade never came into effect.

Unofficial crusades (not sanctioned by the Pope)

The most recent "unofficial Crusade" were Russian military defensive campaigns against the Ottoman Caliphate in the 19th century which resulted in a Russian victory. However, hadn't it been for Disraeli Britain's defence of the Muslims (see Congress of Berlin), Constantinople would have been brought back to Christian hands.

Entertaining ideas of launching defensive crusader campaigns to take back former Christian territories has become politically incorrect in the Western world after Turkey emerged with a so called "secular republic constitution". This, despite the fact that they have continued their Jihadi pogroms against Christian minorities until this very day.

Sources:

Canon Law http://en.wikipedia.org/wiki/Code_of_Canon_Law

Council of Clermont http://en.wikipedia.org/wiki/Council_of_Clermont

Indulgences <http://en.wikipedia.org/wiki/Indulgences>

Would Pope Benedict XVI take the initiative for launching a new crusade?

Not likely. The closest Pope Benedict has come to anything controversial was his statement in a lecture delivered on September 12th 2006. Pope Benedict XVI quoted from a dialogue that occurred in 1391 between Manuel II Palaiologos[1], the Byzantine Emperor, and a Persian scholar and recorded in a book by Manuel II (Dialogue 7 of Twenty-six Dialogues with a Persian) in which the Emperor stated:

“Show me just what Muhammad brought that was new and there you will find things only evil and inhuman, such as his command to spread by the sword the faith he preached.”

Many Muslims were offended by what was perceived as a denigration of Muhammad, and many reacted violently. Several churches were burned and many Christians were killed in multiple locations in the Middle East (including a nun). In his book, Manuel II then continues, saying:

“God is not pleased by blood - and not acting reasonably is contrary to God's nature. Faith is born of the soul, not the body. Whoever would lead someone to faith needs the ability to speak well and to reason properly, without violence and threats... To convince a reasonable soul, one does not need a strong arm, or weapons of any kind, or any other means of threatening a person with death...”

As a result of this controversy the Pope had to indirectly apologise and has since that time not tried to do anything of significance to prevent the ongoing Global Jihad against Christians or the ongoing Islamic colonisation of Europe. As such, Pope Benedict has abandoned Christianity and all Christian Europeans and is to be considered a cowardly, incompetent, corrupt and illegitimate Pope much like his most recent predecessors; John XXIII (1958-1963), Paul VI (1963-1978), John Paul I (1978), John Paul II (1978-2005). If Pope Benedict had any shred of integrity he would at least attempt to contact all European senior and junior military officers and ask them to initialise coups against the given multiculturalist European regimes and contribute to repel Islam from Europe for a third time. Pope Benedict, as his most recent predecessors, have failed to identify multiculturalism as an anti-European hate ideology championed as an instrument for unilaterally dismantling European Christendom. As of now, no Pope have even attempted to reach out to all European military leaders and demand action against the cultural Marxist/multiculturalist elites who have implemented given ideology. Pope Benedict has a responsibility to act against the deliberate and systematic annihilation of European Christendom. Yet he has not even tried to do anything of significance.

When we, the cultural conservatives of Europe seize power in approximately 5-7 decades, we will take the necessary steps to eradicate the corruption which is continuing to plague the Church (both the Catholic and Protestant church). We must ensure that we have Christian leaders who believe in; self defence, protection of Eastern Christendom and the protection of Christians worldwide.

Source:

1. http://en.wikipedia.org/wiki/Manuel_II_Palaiologos

3.149 The Bible and self-defence

Many Christians claim that acts of self-defence are unbiblical, unscriptural and ungodly. However, they are un-doubtfully wrong.

The Bible couldn't be clearer on the right, even the duty; we have as Christians to self-defence.

Let's start in the Old Testament.

Exodus 22:2 "If a thief be found breaking up, and be smitten that he die, there shall no blood be shed for him,"

we are told in Exodus 22:2. The next verse says,

"If the sun be risen upon him, there shall be bloodshed for him; for he should make full restitution; if he have nothing, then he shall be sold for his theft."

In other words, it was perfectly OK to kill a thief breaking into your house. That's the ultimate expression of self-defence. It doesn't matter whether the thief is threatening your life or not. You have the right to protect your home, your family and your property, the Bible says.

The Israelites were expected to have their own personal weapons. Every man would be summoned to arms when the nation confronted an enemy. The people defended themselves.

Samuel 25:13: "David said to his men, "Each of you gird on his sword." So each man girded on his sword. And David also girded on his sword, and about four hundred men went up behind David while two hundred stayed with the baggage."

Every man had a sword and every man picked it up when it was required.

Judges 5:8: "They chose new gods; then was war in the gates: was there a shield or spear seen among forty thousand in Israel?"

Reminds us of what happens to a foolish nation that chooses to disarm. The answer to the rhetorical question is clear: No. The people had rebelled against God and put away their weapons of self-defence.

Psalms 144:1: "Blessed be the LORD my strength which teacheth my hands to war, and my fingers to fight,"

Clearly, this is not a pacifist God we serve. It's God who teaches our hands to war and our fingers to fight. Over and over again throughout the Old Testament, His people are commanded to fight with the best weapons available to them at that time.

And what were those weapons? Swords.

They didn't have firearms, but they had side-arms. In fact, in the New Testament, Jesus commanded His disciples to buy them and equip them.

Luke 22:36: "Then said he unto them, But now, he that hath a purse, let him take it, and likewise his scrip: and he that hath no sword, let him sell his garment, and buy one."

Matthew 26:52-54: "Then said Jesus unto him, Put up again thy sword into his place: for all they that take the sword shall perish with the sword. Thinkest thou that I cannot now pray to my Father, and he shall presently give me more than twelve legions of angels? But how then shall the scriptures be fulfilled, that thus it must be?"

If you read those verses in context they support the position of self-defence. Jesus told Peter he would be committing suicide to choose a fight in this situation, as well as undermining God's plan to allow Jesus' death on the cross and resurrection.

Jesus told Peter to put his sword in its place – at his side. He didn't say throw it away. After all, He had just ordered the disciples to arm themselves. The reason for the arms was obviously to protect the lives of the disciples, not the life of the Son of God. What Jesus was saying was: "Peter, this is not the right time for a fight."

In the context of cultural conservative Europeans current war against the cultural Marxist/multiculturalist elites and the ongoing Islamic invasion through Islamic demographic warfare against Europe, every military action against our enemies is considered self defence. There will be much suffering and destruction but eventually we will succeed and may be able to start rebuilding.

We should recall Nehemiah, who rebuilt the walls of Jerusalem.

Nehemiah 4:17-18: "Those who were rebuilding the wall and those who carried burdens took their load with one hand doing the work and the other holding a weapon". "As for the builders, each wore his sword girded at his side as he built,..."

More information about Christianity and self-defence

There are many passages that talk about war and violence that God approves of, such as David slaying Goliath (1 Samuel 17). Not to mention the fact that God commanded the Israelites to completely destroy everyone and everything in the Promised Land!

As with many questions in our lives, self-defence has to do with wisdom, understanding, and tact. For instance, in the Luke 22 passage stated above, Jesus does tell his disciples to get a sword. Jesus knew that now was the time when Jesus would be threatened (and later killed) and his followers would be threatened as well. Jesus was giving approval of the fact that one has the right to self-defence. Now just a few verses later we see Jesus being arrested and Peter takes a sword and cuts off someone's ear. Jesus rebukes him for that act. Why? Peter was trying to stop something that Jesus had been telling His disciples was in fact going to happen. In other words, Peter was acting unwisely in the situation. He was trying to stop something that was not supposed to be stopped. We must be wise as to when to fight and when not to.

Exodus 22 does show quite a bit about God's attitude towards self-defence. "If a thief is caught breaking in and is struck so that he dies, the defender is not guilty of bloodshed;

but if it happens after sunrise, he is guilty of bloodshed. A thief must certainly make restitution, but if he has nothing, he must be sold to pay for his theft" (Exodus 22:2-3). Obviously here we see that when a thief breaks into someone's house at night and that person defends his home and slays the thief, God does not hold that death over the defender's head. However, God does not wish for anyone to take law into his or her own hands. This is why it is said that if a thief is struck down during the daylight the defender is guilty of bloodshed. Now this is speaking of thievery, not an attack. So if the thief were to attack the defender even during the day, self-defence would be justified.

Battle verses

"Therefore submit to God. Resist the devil and he will flee from you." (James 4:7)

"If you walk in My statutes and keep My commandments, and perform them ... you shall eat your bread to the full, and dwell in your land safely. I will give peace in the land, and you shall lie down, and none will make you afraid; I will rid the land of evil beasts, and the sword will not go through your land. **You will chase your enemies, and they shall fall by the sword before you. Five of you shall chase a hundred, and a hundred of you shall put ten thousand to flight; your enemies shall fall by the sword before you.**" (Leviticus 26:3)

God will anoint you with his power to go into battle

If you are operating under a full surrender with God the Father, and walking in all of God's ways and staying out of any serious sins and transgressions against Him - then the next thing you will need to fully realise is that God will now anoint you with His power if you are forced to go into battle with your enemy.

The Bible tells us that we are now all good soldiers of Jesus Christ. Whether we want to face up to it or not, we are all living in a war zone as a result of the curse of Adam and Eve that is still in full operation on this earth. Anyone of us at anytime can come under human or demonic attack. The daily news will prove that to you without any shadow of a doubt.

Each Christian must now make their own personal decision on all of this. You can either choose to learn how to rise up in the power of your Lord and Saviour and learn how to become a true warrior in the Lord, or you can continue to keep your head in the sand and oppressor after oppressor keep beating you down. The choice is yours.

The following verses will show you that God can anoint you with His power to defeat any enemy that may come your way - but you first have to be willing to step into that anointing, and then be willing to take your enemy head on before God will release His anointing through you to be able to defeat that enemy.

Again, study these verses very carefully - as they will show you the incredible supernatural power that God can channel through you if you would be willing to step into and walk with His anointing.

No weapon formed against you shall prosper, and every tongue which rises against you in judgment you shall condemn. This is the heritage of the servants of the Lord, and their righteousness is from me," says the Lord. (Isaiah 54:17)

"... but the people who know their God shall be strong, and carry out great exploits." (Daniel 11:32)

"For the kingdom of God is not in word but in power." (1 Corinthians 4:20)

"Truly the signs of an apostle were accomplished among you with all perseverance, **in signs and wonders and mighty deeds.**" (2 Corinthians 12:12)

Blessed be the Lord my Rock, **who trains my hands for war, and my fingers for battle** - my lovingkindness and my fortress, my high tower and my deliverer, my shield and the One in whom I take refuge, who subdues my people under me." (Psalm 144:1)

"It is God who arms me with strength, and makes my way perfect. He makes my feet like the feet of deer, and sets me on high places. He teaches my hands to make war, so that my arms can bend a bow of bronze ... I have pursued my enemies and overtaken them; neither did I turn back again till they were destroyed. I have wounded them, so that they were not able to rise; they have fallen under my feet. **For You have armed me with strength for the battle;** You have subdued under me those who rose up against me." (Psalm 18:32,37)

God can anoint you with His supernatural power to defeat any enemy that may come your way - but only if you are willing to step into it and not be afraid to directly engage with whatever storm cloud is getting ready to come your way.

Notice the first verse tells you that you can have God's power and authority to trample over **"all"** the power of the enemy - not just against some or part of his power. This means you can have God's anointing and power operating in you to come out completely victorious against any enemy that may attempt to come against you.

God will give you his strength, boldness and courage to walk with his anointing

All of the above Scripture verses are definitely telling you that God can anoint you with His power whenever that power is going to be needed to take on any kind of enemy or challenge. However, there is one more thing that you are going to need before God will release His power through you. And that one more thing is the mental strength, courage and boldness to step out with His power to use it to directly engage with your enemy.

If you are not willing to step out and flow and operate with God's anointing for whatever you are going to need it for - then absolutely nothing is going to happen. If you are not willing to speak out to any enemy that may be trying to attack you - then God's power will not come into the situation to blow them out of there, and they will thus stay right where they are at continuing to attack you.

As you will see when reading some of our own personal testimonies - nothing was happening in all of these adverse situations until that person was ready and willing to step out of his boat with some mental confidence, courage and boldness to face and take their enemies head on.

"If you faint in the day of adversity, your strength is small." (Proverbs 24:10)

The verse is telling you that if you faint in the day of any kind of adversity, that your strength will be considered small in the eyes of God.

In other words, God is telling you that He does not want you to be a wimp - and He is expecting each and every one of us to learn how to war against any enemy or challenge that could come our way operating under His authority, power and anointing to be able to do so. This is why we are all called to be soldiers of Jesus Christ, not just a select few.

God will go before you to fight your battles

Sometimes God will simply run a protective shield around you where nothing can get through to attack you. Other times something will start to slip through to come directly against you - and then God will move ahead of you to take it out. This is where God will literally take your enemy head on and do battle with it.

Sometimes God will fight the actual battle through you - other times He will simply tell you to hold your ground and position and do absolutely nothing - and then He will move Himself to completely take out the attack coming against you. This is where God shows you how powerful and how awesome He really is when He moves into battle to personally protect you.

Again, these next set of verses are extremely powerful as all of the other ones listed above. Notice the very intense language God is using when these verses describe Him moving into actual battle for you.

These first two verses are specifically telling us that God can be a **Man of War** if He needs to be and that He can actually be stirred up to go into battle for you if He has to.

"The Lord is a man of war; the Lord is His name ... Your Right Hand, O Lord, has become glorious in power; **Your right hand, O Lord, has dashed the enemy in pieces.** And in the greatness of Your excellence you have overthrown those who rose against You; You sent forth Your wrath which consumed them like stubble." (Exodus 15:3,6)

"The Lord shall go forth like a mighty man; He shall stir up His zeal like a man of war. He shall cry out, yes, shout aloud; He shall prevail against His enemies." (Isaiah 42:13)

"For you shall not go out with haste, nor go by flight; for the Lord will go before you, and the God of Israel will be your rear guard." (Isaiah 52:12)

"Therefore understand today the Lord your God is He who goes before you as a consuming fire. He will destroy them and bring them down before you; so you shall drive them out and destroy them quickly, as the Lord has said to you." (Deuteronomy 9:3)

"The eternal God is your refuge, and underneath are the everlasting arms; He will thrust out the enemy from before you, and will say, 'Destroy!'" (Deuteronomy 33:27)

"I will bless those who bless you, and I will curse him who curses you ..." (Genesis 12:3)

"Plead my cause, O Lord, with those who strive with me; fight against those who fight against me. Take hold of shield and buckler, and stand up for my help. Also draw out the spear, and stop those who pursue me. Say to my soul, "I am your salvation." (Psalm 35:1)

"When my enemies turn back, **they shall fall and perish at your presence.** For You have maintained my right and my cause; You sat on the throne judging in righteousness." (Psalm 9:3)

"God is a just judge, and God is angry with the wicked every day. If He does not turn back, **He will sharpen His sword; He bends His bow and makes it ready. He also prepares for Himself instruments of death; He makes His arrows into fiery shafts.**" (Psalm 7:11)

"**He will guard the feet of His saints,** but the wicked shall be silent in darkness. **For by strength no man shall prevail. The adversaries of the Lord shall be broken in pieces; from heaven He will thunder against them.** The Lord will judge the ends of the earth. He will give strength to His king, and exalt the horn of His anointed. (1 Samuel 2:9)

"... For we have no power against this great multitude that is coming against us; nor do we know what to do, but our eyes are upon You ... Then the Spirit of the Lord came upon Jahaziel ... thus says the Lord to you: '**Do not be afraid nor dismayed because of this great multitude, for the battle is not yours, but God's ... You will not need to fight in this battle. Position yourselves, stand still and see the salvation of the Lord,** who is with you, O Judah and Jerusalem!' Do not fear or be dismayed; tomorrow go out against them, for the Lord is with you." (2 Chronicles 20:12-17)

"Behold, all those who were incensed against you shall be ashamed and disgraced; they shall be as nothing, and **those who strive with you shall perish. You shall seek them and not find them - those who contend with you. Those who war against you shall be as nothing, as a nonexistent thing. For I, the Lord your God, will hold your right hand, saying to you, 'Fear not, I will help you.'**" (Isaiah 41:11)

"You marched through the land in indignation; You trampled the nations in anger. You went forth for the salvation of Your people, for salvation with Your anointed. **You struck the head from the house of the wicked.**" (Habakkuk 3:12)

Other verses:

"The angel of the Lord encamps all around those who fear Him, and delivers them." (Psalm 34:7)

"For He shall give His angels charge over you, to keep you in all your ways." (Psalm 91:11)

"And let the angel of the Lord chase him ... And let the angel of the Lord pursue them ... Let the destruction come upon him unexpectedly." (Psalm 35:5-8)

"Behold, I send an Angel before you to keep you in the way and to bring you into the place which I have prepared." (Exodus 23:20)

"Then the Lord commanded the angel, and he returned his sword to its sheath ... but David could not go before it to inquire of God, for he was afraid of the sword of the angel of the Lord." (1 Chronicles 21:27, 29)

"And it came to pass on a certain night that the angel of the Lord went out, and killed in the camp of the Assyrians one hundred and eighty-five thousand; and when the people

arose early in the morning, there were the corpses - all dead." (2 Kings 19:35)

"Then immediately an angel of the Lord struck him, because he did not give glory to God. And he was eaten by worms and died." (Acts 12:23)

The last verse shows that sometimes angels can literally appear to you as a normal human being, usually for the purpose of helping you out with something. There are countless testimonies from people who have been helped out by angels in a moment of crisis - and then all of sudden they are gone as quick as they came.

We must obey God rather than men" (Acts 5:29)

Whenever a human command goes against God's command, we are to obey God.

And the one who has no sword must sell his cloak and buy one." (Luke 22:36)

This passage allows for the use of fighting in self-defence.

All who draw the sword will die by the sword" (Matthew 26:52)

To use the sword (or any other weapon) carries the greatest responsibility, and it can indeed be used in self-defence. That is the way I see to balance Luke 22:36 and Matthew 26:52.

Sources:

1. <http://www.counterpunch.org/complaint.html>
2. Norsk Folkehjelp/NTB-DPA
3. http://www.iacenter.org/warcrime/11_weapn.htm
4. <http://www.counterpunch.org/dead.html>

Sources:

- <http://www.bible-knowledge.com/Battle-Verses-of-the-Bible.html>
- <http://www.gotquestions.org/self-defense.html>
- <http://www.loveyourenemies.org/sword.html#start>
- http://www.worldnetdaily.com/news/article.asp?ARTICLE_ID=25442

3.150 A Book for the Knights Templar: In Praise of the New Knighthood (Liber ad milites Templi: De laude novae militiae)

Written by Saint Bernard of Clairvaux[1] between 1128 and 46, translation: Conrad Greenia

Bernard of Clairvaux was born in 1090 in Fontaine-lès-Dijon, France, and died August 20, 1153 in Clairvaux, France.

In the year 1128, Bernard assisted at the Council of Troyes, at which he traced the outlines of the Rule of the Knights Templar, who soon became the ideal of Christian nobility. He later praised them in his "*De Laude Novae Militiae*". He was essential in the propagation for the first and second Crusade and a supporter and ally of Pope Innocent II.

He is venerated in the Roman Catholic Church, Anglican Church and the Lutheran Church. He was canonized on January 18, 1174, Rome by Pope Alexander III. Pope Pius VIII bestowed upon him the title of "Doctor of the Church."

Note: The following passage is taken from a treatise written in the early 12th century by the Cistercian abbot Bernard of Clairvaux, on behalf of the fledgling Knights Templar. It might be viewed as a combination of exhortation to the Knights, and advertisement to the population in general. Officially it is an answer to a letter written to Bernard by his friend Hugh de Payens, one of the founders of the Templars.

These first sections deal directly with the Knights Templar and are of great importance to students of the early military orders. The remaining sections deal allegorically with holy sites in Palestine, and are equally interesting, if less directly relevant to the foundation of the Templars. The full text, along with comprehensive notes, may be found in The Cistercian Fathers Series: Number Nineteen, The Works of Bernard of Clairvaux: Volume Seven, Treatises III, translated by Conrad Greenia, Cistercian Publications, Kalamazoo, Mich., 1977.

Prologue

TO HUGH, KNIGHT OF CHRIST AND MASTER OF CHRIST'S MILITIA: BERNARD, IN NAME ONLY, ABBOT OF CLAIRVAUS, WISHES THAT HE MIGHT FIGHT THE GOOD FIGHT

IF I AM NOT MISTAKEN, MY DEAR HUGH, you have asked me not once or twice, but three times to write a few words of exhortation for you and your comrades. You say that if I am not permitted to wield the lance, at least I might direct my pen against the tyrannical foe, and that this moral, rather than material support of mine will be of no small help to you. I have put you off now for quite some time, not that I disdain your request, but rather lest I be blamed for taking it lightly and hastily. I feared I might botch a task which could be better done by a more qualified hand, and which would perhaps remain, because of me, just as necessary and all the more difficult.

Having waited thus for quite some time to no purpose, I have now done what I could, lest my inability should be mistaken for unwillingness. It is for the reader to judge the result. If some perhaps find my work unsatisfactory or short of the mark, I shall be nonetheless content, since I have not failed to give you my best.

A word of Exhortation for the Knights of the Temple (chapter 1)

IT SEEMS THAT A NEW KNIGHTHOOD has recently appeared on the earth, and precisely in that part of it which the Orient from on high visited in the flesh. As he then troubled the princes of darkness in the strength of his mighty hand, so there he now wipes out their followers, the children of disbelief, scattering them by the hands of his mighty ones. Even now he brings about the redemption of his people raising up again a horn of salvation for us in the house of his servant David.

This is, I say, a new kind of knighthood and one unknown to the ages gone by. It ceaselessly wages a twofold war both against flesh and blood and against a spiritual army of evil in the heavens. When someone strongly resists a foe in the flesh, relying solely on the strength of the flesh, I would hardly remark it, since this is common enough. And when war is waged by spiritual strength against vices or demons, this, too, is nothing remarkable, praiseworthy as it is, for the world is full of monks. But when the one sees a man powerfully girding himself with both swords and nobly marking his belt, who would not consider it worthy of all wonder, the more so since it has been hitherto unknown? He is truly a fearless knight and secure on every side, for his soul is protected by the armour of faith just as his body is protected by armour of steel. He is thus doubly armed and need fear neither demons nor men. Not that he fears death--no, he desires it. Why should he fear to live or fear to die when for him to live is Christ, and to die is gain? Gladly and faithfully he stands for Christ, but he would prefer to be dissolved and to be with Christ, by far the better thing.

Go forth confidently then, you knights, and repel the foes of the cross of Christ with a stalwart heart. Know that neither death nor life can separate you from the love of God which is in Jesus Christ, and in every peril repeat, "Whether we live or whether we die, we are the Lord's." What a glory to return in victory from such a battle! How blessed to die there as a martyr! Rejoice, brave athlete, if you live and conquer in the Lord; but glory and exult even more if you die and join your Lord. Life indeed is a fruitful thing and victory is glorious, but a holy death is more important than either. If they are blessed who die in the Lord, how much more are they who die for the Lord!

To be sure, precious in the eyes of the Lord is the death of his holy ones, whether they die in battle or in bed, but death in battle is more precious as it is the more glorious. How secure is life when the conscience is unsullied! How secure, I say, is life when death is anticipated without fear; or rather when it is desired with feeling and embraced with reverence! How holy and secure this knighthood and how entirely free of the double risk run by those men who fight not for Christ! Whenever you go forth, O worldly warrior, you must fear lest the bodily death of your foe should mean your own spiritual death, or lest perhaps your body and soul together should be slain by him.

Indeed, danger or victory for a Christian depends on the dispositions of his heart and not on the fortunes of war. If he fights for a good reason, the issue of his fight can never be evil; and likewise the results can never be considered good if the reason were evil and the intentions perverse. If you happen to be killed while you are seeking only to kill another, you die a murderer. If you succeed, and by your will to overcome and to conquer you perchance kill a man, you live a murderer. Now it will not do to be a murderer, living or dead, victorious or vanquished. What an unhappy victory--to have conquered a man while yielding to vice, and to indulge in an empty glory at his fall when wrath and pride have gotten the better of you!

But what of those who kill neither in the heat of revenge nor in the swelling of pride, but simply in order to save themselves? Even this sort of victory I would not call good, since bodily death is really a lesser evil than spiritual death. The soul need not die when the body does. No, it is the soul which sins that shall die.

On worldly Knighthood (chapter 2)

WHAT, THEN IS THE END OR FRUIT of this worldly knighthood, or rather knavery, as I should call it? What if not the mortal sin of the victor and the eternal death of the vanquished? Well then, let me borrow a word from the Apostle and exhort him who plows, to plow in hope, and him who threshes, to do so in view of some fruit.

What then, O knights, is this monstrous error and what this unbearable urge which bids you fight with such pomp and labor, and all to no purpose except death and sin? You cover your horses with silk, and plume your armour with I know not what sort of rags; you paint your shields and your saddles; you adorn your bits and spurs with gold and silver and precious stones, and then in all this glory you rush to your ruin with fearful wrath and fearless folly. Are these the trappings of a warrior or are they not rather the trinkets of a woman? Do you think the swords of your foes will be turned back by your gold, spare your jewels or be unable to pierce your silks?

As you yourselves have often certainly experienced, a warrior especially needs these three things--he must guard his person with strength, shrewdness and care; he must be free in his movements, and he must be quick to draw his sword. Then why do you blind yourselves with effeminate locks and trip yourselves up with long and full tunics, burying your tender, delicate hands in big cumbersome sleeves? Above all, there is that terrible insecurity of conscience, in spite of all your armour, since you have dared to undertake such a dangerous business on such slight and frivolous grounds. What else is the cause of wars and the root of disputes among you, except unreasonable flashes of anger, the thirst for empty glory, or the hankering after some earthly possessions? It certainly is not safe to kill or to be killed for such causes as these.

On the New Knighthood (chapter 3)

BUT THE KNIGHTS OF CHRIST may safely fight the battles of their Lord, fearing neither sin if they smite the enemy, nor danger at their own death; since to inflict death or to die for Christ is no sin, but rather, an abundant claim to glory. In the first case one gains for Christ, and in the second one gains Christ himself. The Lord freely accepts the death of the foe who has offended him, and yet more freely gives himself for the consolation of his fallen knight.

The knight of Christ, I say, may strike with confidence and die yet more confidently, for he serves Christ when he strikes, and serves himself when he falls. Neither does he bear the sword in vain, for he is God's minister, for the punishment of evildoers and for the praise of the good. If he kills an evildoer, he is not a mankiller, but, if I may so put it, a killer of evil. He is evidently the avenger of Christ towards evildoers and he is rightly considered a defender of Christians. Should he be killed himself, we know that he has not perished, but has come safely into port. When he inflicts death it is to Christ's profit, and when he suffers death, it is for his own gain. The Christian glories in the death of the Muhammedan (pagan), because Christ is glorified; while the death of the Christian gives occasion for the King to show his liberality in the rewarding of his knight. In the one case the just shall rejoice when he sees justice done, and in the other man shall say, truly there is a reward for the just; truly it is God who judges the earth.

I do not mean to say that the Muhammedans (pagans) are to be slaughtered when there is any other way to prevent them from harassing and persecuting the faithful, but only that it now seems better to destroy them than that the rod of sinners be lifted over the lot of the just, and the righteous perhaps put forth their hands unto iniquity.

What then? If it is never permissible for a Christian to strike with the sword, why did the Savior's precursor bid the soldiers to be content with their pay, and not rather forbid them to follow this calling? But if it is permitted to all those so destined by God, as is indeed the case provided they have not embraced a higher calling, to whom, I ask, may it be allowed more rightly than to those whose hands and hearts hold for us Sion, the city of our strength?

Thus when the transgressors of divine law have been expelled, the righteous nation that keeps the truth may enter in security. Certainly it is proper that the nations who love war should be scattered, that those who trouble us should be cut off, and that all the workers of iniquity should be dispersed from the city of the Lord. They busy themselves to carry away the incalculable riches placed in Jerusalem by the Christian peoples, to profane the holy things and to possess the sanctuary of God as their heritage. Let both swords of the faithful fall upon the necks of the foe, in order to destroy every high thing exalting itself against the knowledge of God, which is the Christian faith, lest the Gentiles should then say, "Where is their God?"

Once they have been cast out, he shall return to his heritage and to his house, which aroused his anger in the Gospel, "Behold," he said, "your house is left to you desolate." He had complained through the Prophet: "I have left my house, I have forsaken my heritage," and he will fulfill that other prophecy: "The Lord has ransomed his people and delivered them. They shall come and exult on Mount Sion, and rejoice in the good things of the Lord."

Rejoice Jerusalem, and recognize now the time in which you are visited! Be glad and give praise together, wastes of Jerusalem, for the Lord has comforted his people. He has ransomed Jerusalem. The Lord has bared his holy arm in the sight of all peoples. O virgin of Israel, you were fallen and there was none to raise you up. Arise now and shake off the dust, O virgin, captive daughter of Sion. Arise, I say, and stand on high. See the happiness which comes to you from your God. You will no longer be referred to as the forsaken one, nor your land any more termed a wilderness; for the Lord takes his delight in you, and your land shall be peopled. Raise your eyes, look about you and see; all these are gathered together and come to you. Here is the help sent to you from the Holy One! Through them is already fulfilled the ancient promise, "I will make you the pride of the ages, a joy from generation to generation. You will suck the milk of the nations and be nourished at the breasts of their sovereignty." And again, "As a mother consoles her children, so will I console you, and in Jerusalem you will be comforted."

Do you not see how frequently these ancient witnesses foreshadowed the new knighthood? Truly, as we have heard, so we have now seen in the city of the Lord of armies. Of course we must not let these literal fulfillments blind us to the spiritual meaning of the texts, for we must live in eternal hope in spite of such temporal realizations of prophetic utterances. Otherwise the tangible would supplant the intangible, material poverty would threaten spiritual wealth and present possessions would forestall future fulfillment. Furthermore, the temporal glory of the earthly city does not eclipse the glory of its heavenly counterpart, but rather prepares for it, at least so long as we remember that the one is the figure of the other, and that it is the heavenly one which is our mother.

On the life style of the Knights of the Temple (chapter 4)

AND NOW AS A MODEL, or at least for the shame of those knights of ours who are fighting for the devil rather than for God, we will briefly set forth the life and virtues of these cavaliers of Christ. Let us see how they conduct themselves at home as well as in

battle, how they appear in public, and in what way the knight of God differs from the knight of the world.

In the first place, discipline is in no way lacking and obedience is never despised. As Scripture testifies, the undisciplined son shall perish and rebellion is as the sin of witchcraft, to refuse obedience is like the crime of idolatry. Therefore they come and go at the bidding of their superior. They wear what he gives them, and do not presume to wear or to eat anything from another source. Thus they shun every excess in clothing and food and content themselves with what is necessary. They live as brothers in joyful and sober company, without wives or children. So that their evangelical perfection will lack nothing, they dwell united in one family with no personal property whatever, careful to keep the unity of the Spirit in the bond of peace. You may say that the whole multitude has but one heart and one soul to the point that nobody follows his own will, but rather seeks to follow the commander.

They never sit in idleness or wander about aimlessly, but on the rare occasions when they are not on duty, they are always careful to earn their bread by repairing their worn armour and torn clothing, or simply by setting things to order. For the rest, they are guided by the common needs and by the orders of their master.

There is no distinction of persons among them, and deference is shown to merit rather than to noble blood. They rival one another in mutual consideration, and they carry one another's burdens, thus fulfilling the law of Christ. No inappropriate word, idle deed, unrestrained laugh, not even the slightest whisper or murmur is left uncorrected once it has been detected. They foreswear dice and chess, and abhor the chase; they take no delight in the ridiculous cruelty of falconry, as is the custom. As for jesters, magicians, bards, troubadours and joustiers, they despise and reject them as so many vanities and unsound deceptions. Their hair is worn short, in conformity with the Apostle's saying, that it is shameful for a man to cultivate flowing locks. Indeed, they seldom wash and never set their hair--content to appear tousled and dusty, bearing the marks of the sun and of their armour.

When the battle is at hand, they arm themselves interiorly with faith and exteriorly with steel rather than decorate themselves with gold, since their business is to strike fear in the enemy rather than to incite his cupidity. They seek out horses which are strong and swift, rather than those which are brilliant and well-plumed, they set their minds on fighting to win rather than on parading for show. They think not of glory and seek to be formidable rather than flamboyant. At the same time, they are not quarrelsome, rash, or unduly hasty, but soberly, prudently and providently drawn up into orderly ranks, as we read of the fathers. Indeed, the true Israelite is a man of peace, even when he goes forth to battle.

Once he finds himself in the thick of battle, this knight sets aside his previous gentleness, as if to say, "Do I not hate those who hate you, O Lord; am I not disgusted with your enemies?" These men at once fall violently upon the foe, regarding them as so many sheep. No matter how outnumbered they are, they never regard these as fierce barbarians or as awe-inspiring hordes. Nor do they presume on their own strength, but trust in the Lord of armies to grant them the victory. They are mindful of the words of Maccabees, "It is simple enough for a multitude to be vanquished by a handful. It makes no difference to the God of heaven whether he grants deliverance by the hands of few or many; for victory in war is not dependent on a big army, and bravery is the gift of heaven." On numerous occasions they had seen one man pursue a thousand, and two put ten thousand to flight.

Thus in a wonderful and unique manner they appear gentler than lambs, yet fiercer than lions. I do not know if it would be more appropriate to refer to them as monks or as soldiers, unless perhaps it would be better to recognize them as being both. Indeed they

lack neither monastic meekness nor military might. What can we say of this, except that this has been done by the Lord, and it is marvelous in our eyes. These are the picked troops of God, whom he has recruited from the ends of the earth; the valiant men of Israel chosen to guard well and faithfully that tomb which is the bed of the true Solomon, each man sword in hand, and superbly trained to war.

The Temple of Jerusalem (chapter 5)

THEIR QUARTERS indeed are in the very temple of Jerusalem, which is not as vast as the ancient masterpiece of Solomon, but is no less glorious. Truly all the magnificence of the first temple lay in perishable gold and silver, in polished stones and precious woods; whereas all the beauty and gracious charming adornment of its present counterpart is the religious fervor of its occupants and by their well-disciplined behavior. In the former, one could contemplate all sorts of beautiful colors, while in the latter one is able to venerate all sorts of virtues and good works. Indeed holiness is the fitting ornament for God's house. One is able to delight there in splendid merits rather than in shining marble, and to be captivated by pure hearts rather than by gilded paneling.

Of course the facade of this temple is adorned, but with weapons rather than with jewels, and in place of the ancient golden crowns, its walls are hung round about with shields. In place of candlesticks, censers and ewers, this house is well furnished with saddles, bits and lances. By all these signs our knights clearly show that they are animated by the same zeal for the house of God which of old passionately inflamed their leader himself when he armed his most holy hands, not indeed with a sword, but with a whip. Having fashioned this from some lengths of cord, he entered the temple and ejected the merchants, scattered the coins of the money changers, and overturned the chairs of the pigeon venders, considering it most unfitting to defile this house of prayer by such traffic.

Moved therefore by their King's example, his devoted soldiers consider that it is even more shameful and infinitely more intolerable for a holy place to be polluted by Muhammedans (pagans) than to be crowded with merchants. Once they have installed themselves in this holy house with their horses and their weapons, cleansed it and the other holy places of every un-Christian stain, and cast out the tyrannical horde, they occupy themselves day and night in both pious exercises and practical work. They are especially careful to honor the temple of God with zealous and sincere reverence, offering by their devout service, not the flesh of animals according to the ancient rites, but true peace offerings of brotherly love, devoted obedience and voluntary poverty.

These events at Jerusalem have shaken the world. The islands hearken, and the people from afar give ear. They swarm forth from East and West, as a flood stream bringing glory to the nations and a rushing river gladdening the city of God. What could be more profitable and pleasant to behold than seeing such a multitude coming to reinforce the few? What, if not the twofold joy of seeing the conversion of these former impious rogues, sacrilegious thieves, murderers, perjurers and adulterers? A twofold joy and a twofold benefit, since their countrymen are as glad to be rid of them as their new comrades are to receive them. Both sides have profited from this exchange, since the latter are strengthened and the former are now left in peace. Thus Egypt rejoices in their conversion and departure while Mount Sion rejoices and the daughters of Juda are glad to acquire these new protectors. The former glory in being delivered from their hands, while the latter have every reason to expect deliverance by means of these same hands. The former gladly see their cruel despoilers depart, while the latter gladly welcome their faithful defenders; so that the one is agreeably heartened, while the other is profitably abandoned.

This is the revenge which Christ contrives against his enemies, to triumph powerfully and gloriously over them by their own means. Indeed, it is both a happy and fitting thing that

those who have so long fought against him should at last fight for him. Thus he recruits his soldiers among his foes, just as he once turned Saul the persecutor into Paul the preacher. Therefore I am not surprised that, as our Savior himself has affirmed, the court of heaven takes more joy in the conversion of one sinner than in the virtues of many just men who have no need of conversion. Certainly the conversion of so many sinners and evil doers will now do as much good as their former misdeeds did harm.

Hail then, holy city, sanctified by the Most High for his own tabernacle in order that such a generation might be saved in and through you! Hail, city of the great King, source of so many joyous and unheard-of marvels! Hail mistress of nations and queen of provinces, heritage of patriarchs, mother of apostles and prophets, source of the faith and glory of the Christian people! If God has permitted you to be so often besieged, it has only been to furnish brave men an occasion for valor and immortality.

Hail promised land, source of milk and honey for your ancient inhabitants, now become the source of healing grace and vital sustenance for the whole earth! Yes, I say, you are that good and excellent soil which received into its fruitful depths the heavenly seed from the heart of the eternal Father. What a rich harvest of martyrs you have produced from that heavenly seed! Your fertile soil has not failed to furnish splendid examples of every Christian virtue for the whole earth--some bearing fruit thirtyfold, some sixty, and some a hundredfold. Therefore those who have seen you are most happily filled with the great abundance of your sweetness and are well nourished on your munificent bounty. Everywhere they go they publish the fame of your great goodness and relate the splendors of your glory to those who have never seen it, proclaiming the marvels accomplished in you even to the ends of the earth.

Indeed, glorious things are told of you, city of God! Now then we will set forth something of the delights in which you abound, for the praise and glory of your name.

1. http://en.wikipedia.org/wiki/St._Bernard_of_Clairvaux

3.151 There are no atheists in foxholes – preparing for martyrdom

European Christendom isn't just about having a personal relationship with Jesus or God. It is so much more. Christendom is identity, moral, laws and codexes which has produced the greatest civilisation the world has ever witnessed. People better than the contemporary atheists have attempted to abolish Christendom and failed.

Clinton Richard Dawkins 1941-

Twice divorced, Richard spends his days popularizing the idea that everything, absolutely everything (including his marriage failures) can be explained through purely materialistic means. Raised in the Church of England, he decided that the theory of evolution better explained the universe than his religious understanding. So, in 1976, Mr. Dawkins wrote a book called, *The Selfish Gene*, to show that we are only selfish creatures at best, and the only reason why we survive so well is because we are actually good at being selfish. Our selfishness is part of our genetic make-up, and it drives almost everything we do.

Richard has since written many more books promoting his interpretation of the mechanics of life, but he has a very clear agenda - to blame God and even the concept of

God for all of man's ills. He seeks to prove that mankind would be so much better off without any moral anchor, and without any moral judge except ourselves.

Thomas Paine (1737-1809)

Thomas had a grand vision for society: he was staunchly anti-slavery, and he was one of the first to advocate a world peace organization and social security for the poor and elderly. But his radical views on religion would destroy his success, and by the end of his life, only a handful of people attended his funeral.

At the end of his life, Paine discovered that his contributions to the American Revolution had been all but eradicated due to his attack against religious views. Derided by the public and abandoned by his friends, he died on June 8, 1809 at the age of 72 in New York City.

François Marie Arouet Voltaire (1694-1778)

Voltaire boasted that within one hundred years of his time the Bible would be non-existent, replaced by his own work.

The Christian physician who attended Voltaire during his last illness said, "When I compare the death of a righteous man, which is like the close of a beautiful day, with that of Voltaire, I see the difference between bright, serene weather and a black thunderstorm. It was my lot that this man should die under my hands. Often did I tell him the truth. 'Yes, my friend,' he would often say to me, 'you are the only one who has given me good advice. Had I but followed it I would not be in the horrible condition in which I now am. I have swallowed nothing but smoke. I have intoxicated myself with the incense that turned my head. You can do nothing for me. Send me a mad doctor! Have compassion on me-I am mad!' The physician goes on to say: "I cannot think of it without shuddering. As soon as he saw that all the means he had employed to increase his strength had just the opposite effect, death was constantly before his eyes. From this moment, madness took possession of his soul. He expired under the torments of the furies." At another time his doctor quoted Voltaire as saying: "I am abandoned by God and man! I will give you half of what I am worth if you will give me six months' life. Then I shall go to hell; and you will go with me. O Christ! O Jesus Christ!"

Fifty years after his death, the Geneva Bible Society bought the house and printing press of Voltaire and printed stacks of Bibles in his living room! Voltaire has become an historical footnote while the Bible continues to increase in every part of the world.

Friedrich Nietzsche (1844-1900)

"God is dead. God remains dead. And we have killed him. How shall we, murderers of all murderers, console ourselves? That which was the holiest and mightiest of all that the world has yet possessed has bled to death under our knives. Who will wipe this blood off us? With what water could we purify ourselves? What festivals of atonement, what sacred games shall we need to invent? Is not the greatness of this deed too great for us? Must we not ourselves become gods simply to be worthy of it?"

Nietzsche died insane, in an asylum, of syphilis — signing his last letters "the Crucified One." He was adored by the Nazis as their semi-official philosopher.

Diocletian (A.D. 303)

The emperor Diocletian began one of the most terrible persecutions of Christianity in history. One target of his violence was the Bible itself. He ordered that every copy of the Bible be confiscated and burned. Only 25 years later, Constantine (the very next emperor of Rome) ordered that 50 copies of the Scriptures be prepared and paid for by the Roman Government.

In spite of Diocletian's efforts, there were plenty of Bibles around to make more copies and see the world completely turned upside-down!

Karl Marx (1818-1883)

Marx believed that religion could only be abolished when man finally realized that he had control over the world, and that man would have to take complete control of the economy of the world. This was the foundation of Communism. And the ultimate goal of economic control (Communism), was the abolition of religious belief. Karl knew that all religion had to go, because he knew that Christianity, and Judaism both instilled the rights of private ownership, and self-protection, and individualism, which were completely contrary to Communism.

Carl died never getting to see just what damnable use his ideas were put to by the likes of Lenin, Stalin and Mao! Carl would be "proud" of the almost 100 million deaths directly resulting from his rejection of God's laws!

Sigmund Freud (1856-1939)

Freud was raised in a world steeped in religious belief. His home was a small town (Freiberg, Moravia) where — like so many towns in the nineteenth century in Eastern Europe — a community of Jews lived among a majority of Catholics. His interpretation of God was based on the Bible being written by man, not as we know, dictated by God.

Sigmund died of cancer of the jaw, heart failure, and an overdose of morphine administered by his doctor (assisted suicide)

Even the most hardened atheist turns to Christ during his final hour

Are we sure there is nothing on the other side? Many men thought there wasn't an afterlife until just before they died. Here is a selection of the last words of well known atheists and sceptics before dying:

"I am as good as without hope, a sad old man gazing into the final chasm."

Thomas Carlyle

"My principles have poisoned my friend... My extravagance has beggared my boy... My unkindness has murdered my wife... And is there another hell yet ahead?"

Aldamont, the sceptic

"Until this moment, I thought there was neither God nor hell... Now I know and feel that there are both, and I am doomed to perdition by the just judgment of the Almighty..."

Sir Thomas Scott, chancellor of England

"All is dark and doubtful."

Edward Gibbon, author

"Oh, my poor soul! What will become of thee? Whither wilt thou go?"

Mazarin, French cardinal

"I am about to take a fearful leap into the dark."

Thomas Hobbes, political philosopher and sceptic

"I know I am lost forever! Oh, that fire! Oh, the insufferable pangs of hell!"

Sir Francis Newport, sceptic

"I am abandoned by God and man... I shall go to hell."

Voltaire

"I have been everything, and everything is nothing."

Severus, Roman Emperor

"I would give worlds if I had them... that the Age of Reason had never been published. Oh, God, save me; for I am at the edge of hell alone..."

Thomas Paine

There are no atheists in foxholes

I'm not going to pretend I'm a very religious person as that would be a lie. I've always been very pragmatic and influenced by my secular surroundings and environment. In the past, I remember I used to think;

"Religion is a crutch for weak people. What is the point in believing in a higher power if you have confidence in yourself!? Pathetic."

Perhaps this is true for many cases. Religion is a crutch for many weak people and many embrace religion for self serving reasons as a source for drawing mental strength (to feed their weak emotional state for example during illness, death, poverty etc.). Since I am not a hypocrite, I'll say directly that this is my agenda as well. However, I have not yet felt the need to ask God for strength, yet... But I'm pretty sure I will pray to God as I'm rushing through my city, guns blazing, with 100 armed system protectors pursuing me with the intention to stop and/or kill. I know there is a 80%+ chance I am going to die during the operation as I have no intention to surrender to them until I have completed all three primary objectives AND the bonus mission. When I initiate (providing I haven't been apprehended before then), there is a 70% chance that I will complete the first objective, 40% for the second, 20% for the third and less than 5% chance that I will be able to complete the bonus mission. It is likely that I will pray to God for strength at one point during that operation, as I think most people in that situation would.

I can't possibly imagine how my state of mind will be during the time of the operation, though. It will be during a steroid cycle and on top of that; during an ephedrine rush, which will increase my aggressiveness, physical performance and mental focus with at least 50-60% but possibly up to 100%. In addition, I will put my iPod on max volume as a tool to suppress fear if needed. I might just put Lux Aeterna by Clint Mansell on repeat as it is an incredibly powerful song. The combination of these factors (when added on top of intense training, simulation, superior armour and weaponry) basically turns you into an extremely focused and deadly force, a one-man-army. At the moment, I do not fear death, but I am very concerned about being afraid on the day of the mission. I'm afraid that the potential fear I might experience during the mission will paralyze me or will result in me "crapping my pants" so to speak. Theoretically, this will not happen, as I have grown to be extremely mentally disciplined and I have undergone numerous hours of training and simulations. Nevertheless, it is impossible to properly simulate a martyrdom operation so I am still somewhat concerned for my mental state during that time.

If praying will act as an additional mental boost/soothing it is the pragmatical thing to do. I guess I will find out... If there is a God I will be allowed to enter heaven as all other martyrs for the Church in the past.

I am pursuing religion for this very reason and everyone else should as well, providing it will give you a mental boost. There is no shame in praying minutes before your death. I highly recommend that you, prior to the operation, visit a Church and perform the Eucharist (Holy Communion/The Lord's Supper). As we know, this ritual represents the final meal that Jesus Christ shared with his disciples before his arrest and eventual crucifixion. You should also solve any issues you might have with God and ask for forgiveness for past sins. Finally, ask him to prepare for the arrival of a martyr for the Church. A hardened atheist may think this is silly, but believe me when I say; you will be extremely glad you did as soon as you realise you may actually die after the initiation of your operation.

Sure, many deny God now. But when they're looking death in the face, when they're sick or in an accident or staring down the barrel of a gun, they'll change their mind. They'll beg for God then. There are no atheists in foxholes.

"Thought I walk through the valley of the shadow of death, thou art with me."

King David

"I am the resurrection and the life. He that believeth in me though he were dead, yet shall he live."

Jesus of Nazareth

In times of extreme stress or fear, such as when participating in warfare or a martyrdom operation, all people will believe in or hope for a higher power.

Pragmaticists or rationalistic minded individuals who are hardened atheists should consider the following; it may be pragmatic to believe in an afterlife as it will make you a more efficient soldier. The less fearful a person is the more effective he will be as a warrior. A person who believes that death is eternal is likely to be more fearful than an individual who believes in an afterlife. And as we all know; fear is poison in combat and it will cause confusion and hesitation. A spiritually confident individual, who does not fear what awaits him, is less likely to fear death and will therefore act more confidently and professionally in warfare. As such (and from a pragmatical viewpoint), religion is an essential component in warfare but ESSENTIAL in martyrdom operations.

A great majority of people tend to seek out a divine power when they are facing an extreme threat. It is therefore essential and it is strongly recommended that all Justiciar Knights (even our Christian agnostic and Christian atheist brothers and sisters) attend Church before the operation to seek absolution and to request that God infuses our our soul and our armour of steel with the armour of spiritual protection and confidence.

"[A Templar Knight] is truly a fearless Knight, and secure on every side, for his soul is protected by the armour of faith, just as his body is protected by the armour of steel. He is thus doubly-armed, and need fear neither demons nor men." Bernard de Clairvaux, c. 1135, *De Laude Novae Militae*—In Praise of the New Knighthood

Indulgences

An indulgence is the full or partial remission of temporal punishment due for sins which have already been forgiven. The indulgence is usually granted by the church after the sinner has confessed and received absolution. The exception is actions committed by those men and women who, by virtue of their suffering, assists in the intercession for all Christians (participates in Crusades, activities which involve protection of Christians, Christian interests or Christendom itself). Indulgences draw on the storehouse of merit acquired by Jesus' sacrifice and the virtues and penances of the saints and martyrs.

Indulgences replace the shortening of those penances that was allowed at the intercession of those imprisoned and those awaiting martyrdom for the faith. http://en.wikipedia.org/wiki/Indulgence_-_cite_note-Oxford:Indulgences-2

Pope Urban II and Pope Innocent III granted indulgence to all future Crusaders

The PCCTS, Knights Templars are Destroyers of Marxism and Defenders of Christendom. We are Crusaders, martyrs of the Church, selfless defenders of the weak and the blind. We our not only automatically granted access to heaven in light of our selfless acts; our good deeds and final sacrifice will be added to the divine storehouse of merit and will therefore help other less virtuous individuals.

3.152 Justiciar Knights, Martyrdom vs. Suicide

There is normally absolutely no justification or excuse to commit suicide. It is a shameful, selfish and cowardly act which normally can and should never be justified. According to the canon laws of the Catholic Church; any individual who commits suicide will forever burn in hell as suicide is considered the gravest of sins, similar to that of murder. The definition of suicide by the Christian faith is explained in the following manner; to commit suicide is to "throw away Gods most divine gift", the gift of life. And anyone who willingly throws this gift away will forever burn in hell without any chance for redemption.

Then you have other Christian denominations like Protestantism who literally propagates a view which nullifies the meaning of hell, good deeds, martyrdom and sainthood altogether. According to Protestant laws (for a majority of denominations), you will not go to hell regardless of the fact that you have committed suicide for any imaginable reason. As long as you turn to Jesus before death occurs, all will be forgiven... Not only have the Protestant views made a mockery of every Christian historical codex, it has also severely undermined the practice and glorification of good deeds, martyrdom and sainthood. Who will willingly walk a saint's path involving pain, sacrifice and martyrdom if there is no distinction between a paedophile rapist murderer and Saint George of Lydda? I usually refer to Protestantism as the Marxism of Christianity. As long as you ask forgiveness before you die you can literally live a life as the most despicable character imaginable.

So, in regards to Catholic canon law, the question is; will Justiciar Knights be rejected in heaven as they martyr themselves for the cause or have to "self terminate" during or after an operation, for various reasons?

There are several distinctions that have to be made in this regard:

1. A Justiciar Knight martyring himself for the cause and dies from wounds inflicted by system protectors (police/regime agents)
2. A Justiciar Knight martyring himself for the cause and dies non-intentionally from wounds inflicted by his own actions (explosion etc.)
3. A Justiciar Knight martyring himself for the cause and dies intentionally from wounds inflicted by his own actions (explosion etc.) in order to prevent capture. Capture, by the system protectors working for the multiculturalist regime, could lead to torture and may result in a scenario where information is extracted involuntarily leading to the apprehension, and even the murder, of other Justiciar Knights
4. A Justiciar Knight self terminates after apprehension to escape torture and murder/execution

Points 1-3 are considered standard martyrdom deaths, under canon law, which guarantee an abundance of grace and the entry to heaven. Point 4, however, is not a clear case of a martyrdom death but must be seen in perspective to the circumstances. In point 4, a Justiciar Knight would have fulfilled his pact with God (in which he made during the initiation rite) which will lead to him acquiring an abundance of grace regardless of outcome of the operation, as long as he did his best. Because in light of the Knights Templar initiation rite; the candidate has already forfeited/surrendered his life to God and the struggle for the preservation of European Christendom. As such, life – God's gift, has already been "spent" on the struggle. You cannot "take/kill" something that has already been voluntarily sacrificed. Therefore, in reference to point 4, God's gift of life is

not wasted but has instead more or less fully been used in a manner which pleases God. An individual who receives a life sentence in prison, as a result of his actions relating to the European Resistance Movement and the liberation of Western Europe from the cultural Marxist/multiculturalist dictatorships, is not in a position to take away something that has already been given away. As such, if he chooses to self terminate (not suicide) for logical reasons, or to prevent torture and certain death (this is a likely scenario in many Western European prisons as Muslims dominate a majority of them), it is not considered suicide but will nevertheless take a toll on the amount of grace already acquired. Because a perfect man, in Gods eyes, should be willing to withstand inhuman suffering for the duration of his natural life, if required. However, man is flawed by default and will often be unwilling to face a lifetime of torture in a multiculturalist prison, locked up together with Jihadists.

Justiciar Knights and martyrdom

To take an illustration; Saint George of Lydda, perhaps THE most celebrated saint, martyred himself for the Christian faith, for his country and for his people. He knew that his action would lead to his death, yet he continued down that path well knowing what would eventually await him. I guess this illustrates the primary distinction between suicide and martyrdom. Suicide is a selfish act while martyrdom is a selfless act. When someone commits suicide, they want their pain to end and offer few thoughts for his family, friends and his people. When a Justiciar Knight martyrs himself for the cause he walks down a path well knowing what is likely to await him. He chooses this path of sacrifice, not for his own self serving needs, but for his family, friends, his people, his culture, his nation and for the preservation of Christendom. As such, he is sacrificing the most divine gift, life itself, in service of others and in service of God. This is considered to be the most noble and glories act a human being can ever hope to achieve. This is why such acts of any Justiciar Knight are directly comparable to that of our guardian saint; Saint George of Lydda, one of the most celebrated heroes in Christianity.

Any Justiciar Knight, in light of his initiation pledge, has fully committed his life to our cause. He is therefore standing with one leg thoroughly planted in heaven already as he has already surrendered his life to God. His remaining service, regardless of outcome is merely a formality; providing he does the best he can to benefit the cause.

A Justiciar Knight for the Knights Templar, who for tactical reasons, chose to self terminate during or after an operation is not considered to have "thrown God's gift away" as he is a martyr for the Church. He has sacrificed his freedom and his life to secure the existence of his family, friends, his people, country and the European Church and has such contributed to prevent European Christendom from being gradually deconstructed by the cultural Marxist/multiculturalist regimes of Western Europe.

As God knows everything, he is well aware of the intentions and deeds of every Justiciar Knight. Therefore, to self terminate for strategic or logical reasons (to prevent information extraction by the enemy which will lead to the apprehension of other Justiciar Knights), is not considered suicide but an extension of the sacrifice made to our cause. As such, this final act of sacrifice is added to the amount of good deeds and grace generated by the individual.

Future considerations for possible veneration of Justiciar Knights

A Justiciar Knight who martyrs himself for the cause, and/or self terminates during or after an operation for tactical reasons, should be celebrated as martyrs for the Church. It is expected that the Catholic Church and other denominations of Church authorities in Europe (and independent canon law experts) acknowledges our sacrifices and defines our

deeds as acts of martyrdom for the Church, according to canon law. The Church should not have second thoughts on the matter as they are fully aware of the fact that European Christendom is gradually being deconstructed. It is time that the Pope and his cardinals begin to resist the deliberate deconstruction of European Christendom. The process would, however, be quite challenging, but worth the effort as all Justiciar Knights who dies for their faith will be a great source of inspiration for generations to come. They will be role models. Certain, exceptionally brave and selfless, Justiciar Knights in the coming decades should even be considered as candidates for official veneration.

Further studies

3.153 Interview with a Justiciar Knight Commander of the PCCTS, Knights Templar

The following interview was conducted over three sessions. It might be considered irrelevant to many people. However, I decided to add it as I personally would enjoy reading a similar interview with another resistance fighter.

The interview covers politics, society and the struggle: the Western European civil war, the PCCTS, Knights Templar and other armed pan-European and National Resistance movements. It also covers personal reflections and information.

Q: Today, Western Europe has never been wealthier and an overwhelming majority of Europeans live in prosperity with more freedoms than they have ever had. Are you afraid that people in general will view you as the enemy, as a threat to their prosperity and freedoms, as a threat to stability in Europe?

A: I can totally understand that most people will condemn people like us simply because they do not "yet" understand what is going on. And even if they do understand our reasons they might disagree with our "means", thinking that democracy can solve this problem as well just like democracy have solved many of the challenges we have faced in the past. Europeans in general do not live in or close to Muslim ghettos or enclaves and those that did have chosen to move far away. The problem is that many people live in denial and are suffering from historical amnesia. They fail to identify or comprehend what the Western European governments are doing to Europe. Those that do are hesitant to resist through violent means.

While it is true that we currently enjoy wealth and many freedoms this will not be the case in 50 or 100 years. The Muslims in many parts of Europe will make up the majority within 2080. You must study the case of Lebanon and similar cases in order to comprehend what is going on. Lebanon was a Christian territory once with 80% Christians in 1911. Now, in today's Lebanon, there are less than 25% Christians left. The Muslims won the war and Europe just let it happen. The remaining Christians live under harsh Dhimmitude and everyone in their right mind are attempting to flee the country. To fully understand the situation I urge everyone to read "Europe Burning", book 2 of the compendium: "2083". It is a complete overview of the current European situation and it explains how we, the free people of Europe have lost any hope of reversing the current development in Europe democratically. In other words, it explains why armed resistance is the only option we have left to save Europe from the same fate as Lebanon.

The people of Western Europe have become slaves in their own countries, because they have forgotten to pronounce the word "no".

It is quite common that large portions of the general population of any Western European country (uncritical of their government's indoctrination campaigns) strongly identify with their monster polity, and take it personally when it's criticised or attacked. People in

general will oppose us as default because they do not know what we know; their governments have made sure of that.

By marketing and distributing the compendium: 2083, and similar works, we hope to create more awareness, create reference points and thus contribute to consolidate and further our cause.

Most people will today openly condemn us as terrorists. However, a hundred years from now we will be celebrated as pioneers, as heroes who gave their lives combating a tyrant oppressor.

Q: Let's say that the democratic struggle to save Europe from "Islamisation/ Islamic demographic warfare" has been lost and that armed resistance against the current establishment is the right way to go. How do you expect to seize power from the current Western European cultural Marxist/multiculturalist regimes knowing that there are only a handful of you who are willing to die for the cause? Do you really expect to defeat all Western European governments seeing that they control absolutely everything; the media, national police forces, intelligence agencies, national militaries and have the full backing of NATO?

A: A complete strategy is listed in the book "2083" but I can try to summarise it for you. We see the struggle or the current Western European civil war if you will as a three stage struggle.

- Phase 1, 2009-2030
- Phase 2, 2030-2070
- Phase 3, 2070-2083

Obviously, we are not able to execute any coup d'état or effectively incite to revolution at this point (in phase 1). This was never the intention either.

Our only objective in this phase is to create awareness about the truth and contribute to consolidation/recruitment. The establishment of military and political reference points now will be of huge benefit especially further down the road.

The media have refused to forward our call the last decades. Instead they have systematically ridiculed and silenced us, labelling us as intolerant and racist bigots. Instead of respecting the will of the European people they have defiantly allowed even more Muslims to enter and defended the current development. Now they are even considering allowing Turkey into the EU. The only reason Turkey is not already in the EU is because of the work of the non-military resistance movements of Europe. The EUSSR elites may be evil but they are not stupid. They know that they will not get away with including Turkey at this point because Europeans will simply not accept it. If they allowed the Turkey to enter today and opened the borders to the Turkish Muslim hordes our armed resistance groups would experience thousands of new recruits instantly, ready to militarily secure our borders. The EUSSR elites know that, so they rely on a few more decades of indoctrination before they will continue with the process.

By creating reference points with our operations we also force the media to acknowledge our presence and agenda (which is a great defeat to the establishment in itself). Our existence and actions are a living proof that they have made peaceful change impossible and that they have therefore made violent resistance unavoidable. We are sending a

potent message to the European cultural Marxist/multiculturalist elites; we are telling them that we know what they have done and what they continue to do, we are watching them and they will be punished for their crimes. We are coming for them. If not today then tomorrow. cultural Marxists/multiculturalists in Oslo may be the target today, but cultural Marxists in London, Paris, Berlin, Brussels, Milan or Madrid will be the target tomorrow. This war has just begun and we have no intention of acting prematurely. We know that time is on our side.

Unfortunately, spectacular operations like these are the only way to be heard. Everything else we have tried has failed and yielded nothing. The Muslims showed us that deadly shock attacks are the only tool we have at the moment which will guarantee that our voice is heard. By forcing them to acknowledge our presence and explaining our agenda to everyone we are making it very hard for the cultural Marxist/multiculturalist media establishment to ignore the call of the free people of Europe. The message is simple: "WE DO NOT WANT AND WILL NOT TOLERATE ISLAM IN EUROPE!" Any individual or organisation that actively supports or are participating (directly or indirectly as silent bystanders) in the Islamisation of Europe are flagged as valid targets, starting with the MA 100 political parties and media organisations themselves.

We have tried protest through dialogue for 50 years now and that approach has been a disaster for us. The phase of dialogue has now ended. The PCCTS is a part of that manifestation. We will act as exemplary role models for our less organised brothers and sisters across Europe in the decades to come.

The defeat of the cultural Marxist/multiculturalist network of Europe is closely linked with the Islamisation of Europe.

It's quite ironic that their downfall will be their own greed (the wish to import more and more Muslim voters). Eventually, the political support for the EU's Eurabia project/European multiculturalism/Islamisation will erode but not before it's too late. Our phase 1 strategy is a simple strategy of repeated pin-pricks and bleedings that, though small in proportion to the total force strength, sap the will of the current EU regimes to continue the fight or at least will force them to open their eyes to reality earlier (and identify the Islamisation of Europe as a threat to all Europeans).

There are no effective counter-measures against our phase 1 strategy. It is the most efficient way of modern warfare. We are going to win this war eventually no matter how they chose to act. If they comply with all our demands (and deport all Muslims from Europe) we will win. If they don't, then Islam will bring us to power in phase 3 (2070-2083) when the Muslims reach 50%. At this point, the peoples of Europe will scream for any group or individual who can come and solve their problems...

As long as the threat of Islam increases annually in Europe with Muslim populations increasing with more than 1 million per year, increased ghettification in combination with Muslim atrocities against Europeans – harassment, robberies, rapes and murders), there will be an increasing amount of willing recruits for conservative and/or for the European anti-Jihad movements and even die-hard organisations like the Knights Templar.

As long as the threat of Islam and dhimmitude increases in Europe we will see more and more indigenous liberation organisations like the Knights Templar. Even if we use brutal methods we will continue to retain all of our strategic advantages of mobility, invisibility, and legitimacy, in our own eyes and in the eyes of a good portion of the people.

Q: Some will claim that you are Christian fanatics, just as hateful and intolerant as Al Qaeda. How would you react to accusations like that?

A: The PCCTS, Knights Templar is a European indigenous rights movement and a Crusader movement (anti-Jihad movement), a part of the pan-European and national resistance movement. In a way it is a conservative revolutionary movement.

By propagating and defending Christendom we simply mean that we want to halt the cultural Marxist/multiculturalist attacks and systematic deconstruction on our Christian cultures and the Church itself and to reverse the de-Christianisation of Europe. The biggest threat to Europe is the cultural Marxist/multiculturalist political doctrine of "extreme egalitarian emotionalism". This type of political stance involves destroying Christendom, the Church, our European cultures and identities and opening up our borders to Islamic colonisation. The Islamisation of Europe is merely a "secondary infection". Western Europe has grown weak and decadent and will be completely annihilated culturally unless we succeed to implement a second European renaissance and reverse the damage done.

History has shown again and again that you cannot co-exist peacefully with Islam. The only thing you can do is to isolate it as our forefathers have done for the last 1400 years.

Jihadi Islamists are imperialistic aggressors who believe in armed global Jihad with the purpose of aggressively (or through Dawah) conquer the world and will not give up until all individuals have embraced Islam. We share none of these goals.

We on the other hand are a defensive military organisation who only seek to protect the peoples of Europe and our cultures from genocide. In order for us to effectively protect ourselves from Islam and Islamisation we must first defeat the Western European multiculturalist regimes who are facilitating the ongoing colonisation.

Q: If you were to coin a word for the ideology or movement you represent, what would it be?

A: Cultural conservatism or a nationalist/conservative direction known as the Vienna school of thought. As for the political movement; I would describe it as a National Resistance Movement, an Indigenous Rights Movement or perhaps a Conservative Revolutionary Movement.

Justiciar Knights are not an ideologically homogenous group. Many Justiciar Knight Commanders would probably reject some of my personal views as I would with theirs. Some are deeply Christian while some are Christian agnostics or even atheists. Some are individualists while others not so much so, some puritans. The primary factors that unites us is that we are all nationalists, anti-Marxist, anti-Islam(isation), we support indigenous rights and we are revolutionary, willing to martyr ourselves.

Q: Why aren't you for freedom of religion where all religions are allowed to practice equally without hindering one another?

A: I think most people are. The trouble is, of course, that Islam by its very definition falls outside this category since it's a supremacist political ideology FIRST which SECONDLY has certain religious components.

Q: Why do you say you're not fascists when you support the suspension of the constitution during a coup?

A: That's a good question. First of all, the current multiculturalist regimes of Western Europe are not at all democratic, They haven't been democratic since the 1950s. There is no basis for democracy when all state institutions including schools, universities deliberately use advanced brainwashing techniques (as described earlier) to condition the people from resisting their own annihilation through the implementation of cultural Marxism/multiculturalist doctrines. Furthermore, there is no basis for democracy when 99% of all journalists support and propagates multiculturalism. There is no basis for democracy when all patriots and nationalists are ignored, ridiculed or persecuted. Factors such as these and many more have resulted in the Marxist tyranny we live under today. The political and cultural elites are deliberately selling their own people into Islamic slavery by allowing demographical warfare.

As Thomas Jefferson once stated;

"The tree of liberty must be refreshed from time to time with the blood of patriots and tyrants."

He also wrote:

"That whenever any Form of Government becomes destructive of these ends, it is the Right of the People to alter or to abolish it, and to institute new Government, laying its foundation on such principles and organising its powers in such form, as to them shall seem most likely to effect their Safety and Happiness. [...] It is their right, it is their duty, to throw off such Government, and to provide new Guards for their future security."

Refreshing the tree is now long overdue as our countries are in a rapid state of disintegration. Our intention is to refresh the tree of liberty, and obviously not to cut it down. Refreshing the tree of liberty involves a coup supported by a significant portion of European patriots. Many of us will have to sacrifice our life for the cause in order to destroy the tyrants of our time. It is impossible to guarantee a democratically sanctioned coup as we have to keep in mind that Europeans have been brainwashed now for two generations. Many will oppose us for our stance and call us fascist. Nevertheless, it is essential to acknowledge and understand that we are not.

All coups involve the temporary suspension of the constitution. Thomas Jefferson himself knew that. However, the goal of the coup is as I said not to chop down the tree of liberty but to refresh it.

A fascist opposes the democratical concept altogether and wants a permanent one party state, while we do NOT want this. In order to secure democracy we are forced to imbue and strengthen it from its current downward spiral towards the abyss. This can only be achieved through a temporary suspension of the constitution.

The constitution will only be suspended for a limited time, until we have had the opportunity to implement at least some of our principles. These principles can't even be openly discussed at this point in time due to the paralyzing effects of political correctness.

After a certain period, the constitution and the rule of democracy will again become the primary standard. However, the dysfunctional mass-democracy will be replaced by an administered form of democracy similar to that of Russia. This is obviously to ensure that Marxists will never again get the chance to infiltrate state or media bodies. You can read more about our solutions in another chapter of this compendium.

In any case, we oppose all ideological principles that propagate or suggest a one party ruling form. And as such, we are anti-fascists by definition unlike the current multiculturalist regimes.

Q: Some people will claim that you are just another Nazi fascist disguised with anti-Muslim rhetoric. Is that true?

A: That is ridiculous Marxist propaganda. If that was true, then why am I working on a weekly basis with fellow Indian, Jewish, Chilean intellectuals to preserve true, long term democracy, to ensure that the will of the people is respected? Why do we champion Israel's cause when no one else is? Why do we propagate a military campaign, a military Crusade to assist our eastern Christians brothers – the Semitic Copts, Maronites, Assyrians? Why would we do this when they are not even considered "white"?

The old definitions do not apply anymore. The current internationalist elites (cultural Marxists, suicidal humanists, globalists) are the Nazis of our age and deliberately collaborating with the Muslims. They are the Quislings who are trying to transfer political powers from our sovereign nations to a foreign political entity – the EUSSR/UN. Their intention is to deconstruct everything European so we will become neutralised minorities in our own countries. They expect us to willingly become easily manipulated pawns in their globalised Marxist/globalist utopia.

This is not even a struggle between capitalists and socialists, it is a cultural war between nationalists and internationalists. I consider myself to be a supporter of the capitalistic system, although not globalist capitalism (where international corporations dictate much of the doctrines). A free market within our own economic block is essential but our own survival is the most important thing. To my left you will find a socialist, to my right you will find a social democrat. We are all willing to sacrifice our life for each other as nationalists/cultural conservatives because we believe in our common cause. To secure the survival of everything European by preventing the ongoing cultural and demographic genocide.

Q: Considering the fact that you may be willing to fight alongside so called neo-Nazis against cultural Marxists under extreme circumstances, doesn't that make you a neo-Nazi or a neo-Nazi sympathiser?

A: First of all, I don't consider 70-80% of so called neo-Nazis to be actual Nazis, but rather misguided individuals. I believe many of these youngsters have made an unfortunate mistake by being drawn to the Nazi symbols due to lack of alternatives and because it is the strongest and most well known anti-Marxist banner. But I don't believe the majority of so called neo-Nazis really support the slaughtering and genocide of all Jews, a one party state and an imperialistic policy of conquest. I believe they are just bewildered nationalists in search for uniting factors. In their frustration they have chosen the most despicable banner available as a way of saying a big "fuck you" to the current establishment. But I am well aware that 20-30% of them really hates Jews and support most aspects of national-socialism. This shouldn't be tolerated and we shouldn't sympathise with them whatsoever. Driven by their Jew hate, these Nazis are willing to

take side with Muslims in order to accomplish their goals. They are absolutely blinded by this hate.

As for your question;

During WW2, the allied powers (Western Europe and the US) fought together with the Soviets to defeat Nazi Germany. Did that make the allied powers communists or communist sympathisers? And during the Soviet occupation of Afghanistan, the Americans cooperated with Muslim fundamentalists. Did that make the Americans Jihadists or Jihadi sympathisers? The Chinese nationalists and communists cooperated against the Japanese occupational power during WW2. Did that make the nationalists – communist sympathizers?

In war, you will see many alliances between ideologically opposing factions. You will rarely win a war without seeking a broad alliance. When your peoples are facing cultural and demographical genocide you are prepared to stretch far in order to prevent this from happening. This is the fundamental logic of war.

Also, we haven't forgotten what the Nazis did to the non-NS conservatives in the "Conservative Revolutionary Movement"[1]. They executed many of them. We will not make that mistake again. This is one other reason why non-NS conservatives will never trust National Socialists. We know that they will try to wipe us out as soon as the cultural Marxists, the suicidal humanists and the capitalist globalists have been defeated and after the Muslims have been deported from Europe.

Let it be perfectly clear. The PCCTS, Knights Templar oppose National Socialism and we do not seek cooperation with them. We see National Socialism as a hate-ideology as it is genocidal and imperialistic in nature. However, we don't have many potential allies. As rational creatures we will go to great lengths to prevent our own demise and secure our success.

1. http://en.wikipedia.org/wiki/Conservative_Revolutionary_movement

Q: What political denominations/groups will eventually flag support for the European nationalist/cultural conservative groups?

A: Nationalists or anti-internationalists adhere to many ideological denominations. In essence, all patriots (by the true definition if its meaning) are nationalists but not all traditionalists are necessarily nationalistic (f example some Christian fundamentalists and ethnocentric groups). The word "nationalist" has been tainted by history so I prefer the word "cultural conservative". Cultural conservatism has obviously nothing to do with Toryism (traditional conservatism) but rather from the words true meaning: to conserve. A majority of Tories and Republicans are no longer "conservatives" as they support multiculturalism.

You will find most political denominations on our side varying from the apolitical moderate patriotic and freedom loving European to more extreme factions:

Patriotic liberals-libertarians-capitalists-socialists-social democrats, Christian agnostics-atheists-fundamentalists, any anti-internationalist conservative, liberal/progressive, conservative Hindus-Jews-Buddhists, anti-authoritarians, anti-racists, racists, anti-fascists/fascists, traditionalists and even some national socialists and nationalist Bolsheviks. I find it quite ironic that an increasing number of anti-internationalist

Marxists join our side. We also see some Muslims convert to Christianity and begin to support our cause.

The ongoing cultural war will polarise societies and countries further and there will be two main factions. The nationalists/conservatives (cultural conservatives) vs. the internationalists (Marxist internationalists, suicidal humanists and capitalist globalists). The apolitical career cynisists will follow anyone in charge. Our biggest strength (despite of seemingly overwhelming odds at the moment) is that we have approximately 13 million nationalists spread across Europe willing to die for the cause while only a fraction is willing to die for "internationalism". Of course, the internationalists may eventually attempt to arm the Muslims in Western Europe but if it comes to that they have already lost. They will lose the support of all remaining non-Muslims and will be left with only a hardcore Marxist elite with a significantly reduces loyalist/Muslim police/military force. At this point in time, a majority of the former police force/military will fight by our side.

At the moment, approximately 60% of Europeans (excluding Muslims) support our fundamental political doctrines but obviously not necessarily the means. However, the most important distinction here is the male/female ratio of our sympathisers. Approximately 70% of European males support our cause while only 30% of European women. As a consequence, when this is all over we must significantly reduce these women's influence on political issues relating to national security, social structures, penal policies, border control, immigration, assimilation, certain cultural issues – national cohesion and procreation (birth) policies. This is perhaps the most important lesson we must learn, the betrayal by so many of our own women. It is not really a betrayal as a majority of our women only thinks and acts in accordance with how nature created them – in a suicidal compassionate manner. But it is essential that we prevent our women from propagating their suicidal compassion in "safe and more controlled environments" in the future. Sure, this is sexist policies but nature itself is sexist and you cannot defy primary natural laws. This rule will not be without exceptions though and we should keep in mind that 30% of European women do support us.

Q: If your National government had been very restrictive in regards to conserving identity, culture and halted Islamic immigration completely would you still have engaged in operations against them?

A: If my country was on the forefront for "delaying" Islamisation it would obviously be counter-productive to launch attacks against that particular regime first. Norway is perhaps the most suicidal of all Western European countries today. We are on the forefront in the propagation of "self-annihilation" policies such as dialogue and appeasement toward Islam. The country has also created a tradition to use the Nobel Peace Prize as a tool for Islamic appeasement efforts. I have no moral reservations whatsoever against participating or leading military operations against Norwegian Category A and B traitors as it is the most basic of human rights to defend your people against genocide.

Denmark, being stricter than many countries, will still be unable to prevent the Islamic demographic warfare through democratic means but at least they are buying some extra time by implementing relatively strict rules.

Q: "Racist, Nazi, Fascist, Homophobe, Islamophobe" How do you react to the "cultural Marxist/multiculturalist" labelling techniques, or psychological warfare if you will?

A: These are typical EUSSR cultural Marxist/multiculturalist labelling techniques. According to them, anyone who attempts to criticise multiculturalism are racists, intolerant bigots, angry, underprivileged males etc.

The thinking seems to be that there are only two versions of Europeans. If you do not support multiculturalism 100% you are a Nazi. You're also a fascist pig, a racist, a homophobe – in other words a sub-human. This attitude betrays an all-pervasive hatred that demonises absolutely anything Europeans do to protect their dignity, culture and heritage. Multiculturalism is an anti-European hate ideology. As such, they are the Nazis of our time, not us.

I consider myself to be an anti-racist, anti-fascist and anti-Nazi. That's the main reason why I oppose Cultural Communism/European multiculturalism. THEY are the Nazis, they are the fascists and they are the racists! I have witnessed much racism in my time but 90% of it has been against Europeans. I have actually never been called a racist, fascist or Nazi before personally but I know it is the preferable tactic of the cultural Marxist/multiculturalist establishment to silence the masses.

We are not National Socialists, in fact, we oppose National Socialists.

About the perceived anti-Gay mentality

The multiculturalists WANT us to fit in their pre-defined stereotype. They want us to be racists, fascist, gay hating individuals because it would make their job so much easier in their effort to label us as the scum of the earth. The truth of the matter is that I personally know several gay individuals and have known several gay people during the years and I don't have any reservations against them. Why would I care what they do behind closed doors?

However, I personally do object to the "gay media hysteria" which has been going on in Western Europe the last two decades. In many cases "alleged victim groups" are subjected to positive discrimination within politics, media and certain sectors. In those specific contexts it has become standard policy to discriminate so called "heterosexual men". Western European media, especially in the protestant countries are obsessed with cheering the gay community and other minorities they see as "preferred groups" in their so called "victim hierarchy". The glorification of "preferred groups" in the EUSSR "victim hierarchy" have gone too far. It's racist and fascist.

Q: Why do you think it has come to this?

A: To quote Fjordman;

"Multiculturalists in Western Europe has gradually become fanatical egalitarian, the fight against "discrimination" of any kind, the idea that all groups of people should have an equal share of everything and that it is the state's responsibility to ensure that this takes place.

Multiculturalists have cultivated a culture of victimhood in the West, where you gain political power and media attention through your status in the victim hierarchy. In many ways, this is what Political Correctness is all about. "

Needless to say I couldn't agree more. The extreme egalitarianism you see in NW Europe today has developed into a crusade against everything and everyone who does not conform to the cultural Marxist/multiculturalist world view. According to the Nazis of our time; the multiculturalists: if you do not support multiculturalism you are considered human garbage and the persecution of human garbage is allowed and even encouraged.

Q: Why sacrifice your own life for something that might not end up as you project? And why would you be willing to sacrifice your life for others? Why don't you just chose the easy way, live the easy life, conform and enjoy all benefits of modern society offered under the current regimes?

A: This is exactly what my family and friends have implored me to do for years now. They have pressured me and I must admit I have been somewhat ridden by guilt in this regard. At the same time I know what has to be done. I could never ignore the current situation without doing anything. In this regard I felt I had two choices. Create a large family (3-5 children) or completely focus on my tasks as a part of the European resistance movement. I don't understand why so many people can simply ignore the current situation without doing anything. How can they look their kids in the eyes in the future knowing that they have done nothing? How can they even act so suicidal and continue to vote for political parties who support multiculturalism? Their children are the ones who will have to fight in the coming civil war against the Islamist/cultural Marxist alliance. They will ask their parents; "why didn't you do anything, how could you allow this to happen?" They are the ones who have to fight and perhaps die in Phase 3 because my generation (and my parents generation) didn't have the guts to stop the current development. It's not right. I feel a strong obligation to contribute in Phase 1 even if I succumb in the process. It is essential that as many individuals as possible contribute even if it just results in creating a small crack in the discriminating and genocidal multiculturalist system. Every effort counts, even the smallest contribution!

"It is better to live one day as a lion, then one hundred years as a sheep."

Most of the people I know are either cowards or apathetic hypocrites. They know exactly what is going on but many of them don't care at all, because they know that they will be dead before phase 3. I don't want to judge them too harshly considering the fact that I used to be an apathetic hypocrite myself. After all, we are all victims in a way as we have been indoctrinated for decades by the multiculturalist system. However, everyone living near a capital or a major European city is witnessing the current developments. They don't care because it doesn't concern them yet. Standing up for their beliefs will involve suffering. They are deliberately avoiding that for as long as possible.

It has always been very tempting to just go with the flow, sticking your head in the sand and deal with problems as they arise. Having passed the age of 30, I'm now in a situation where I have to decide whether I want to get married and start a family. I can choose to live a normal life if I want to, just like my friends are doing. Get a cute girlfriend, get married, have kids, continue my career and earn 50 000-60 000+ Euro per year. The problem as I see it is that I truly fear for the future of Europe. How can I procreate knowing that we are heading for cultural suicide? By being a silent bystander to this I will be as guilty as our corrupt elites. How could I silently watch while Islamic demographic warfare is being waged against our societies, diminishing our numbers and the influence over our very own lives? I feel compelled to act, even though I know that very few will dare to become one of the pioneers, one of the first martyrs in Phase 1.

There are only two logical steps for people my age; have as many children as possible and prepare for Phase 2 or 3 or fight now in Phase 1. I chose the latter.

As for the general public; people don't care as long as their loved ones are safe. They have careers with solid salaries; they enjoy all the current freedoms. Why on earth would they give up on all that and join a resistance movement? Joining an anti-Jihad movement means becoming a political dissident. The government and media will attempt to label you as a racist or an intolerant bigot and use any means necessary to undermine your efforts, you risk losing your job, you risk losing everything. The core question is, why chose the hard way, when you have the option of choosing the easy way? Why chose to suffer when you do not have to?

There are good men and there are individuals who don't care at all. The person who has nothing for which he is willing to fight, nothing which is more important than his own personal safety, is a miserable creature and has no chance of being free unless made and kept so by the exertions of better men than himself.

I chose selflessness, to resist a tyrant oppressor by all means necessary. I couldn't live my life as a cowardly hypocrite, sticking my head in the sand.

Q: What's your view on moderate anti-immigration parties?

A: Their motives are noble although counter-productive. Anti-immigration parties usually start out as idealistic but end up as a diluted and corrupt version of their former selves. It would be better if they admitted the truth, that the democratic struggle to save Europe has been lost and the only way to proceed is by resisting the establishment by other means. In many ways, they are contributing to pacify the people by giving them false hope.

Even if they are included as a partner in a future government their policies will end up being too diluted to make any difference. You cannot become the government unless you bow to the views of the "Centre-Left" media elite, especially the broadcast media elite.

They will never get more than 35% of the votes in any election, even in phase 2. As such, they may be able to delay a Muslim majority by a couple of decades with strict integration and immigration policies but they will still be unable to prevent the eventual confrontation.

Q: Can significant indirect damage against civilians be justified?

A: Yes and no. It can be justified in the sense that it is the only pragmatical way to move forward. When someone blows up a government building it is obviously not with the intention to kill the cleaning lady or the janitor. The target has been selected after careful consideration because it will yield the wanted results.

There are extreme and moderate forces. We are all cultural conservatives even though we use different means. We have taken it upon ourselves to use brute, cynical force so other people don't have to. The other political fronts should welcome it as a necessary evil in order to rid ourselves of a much greater evil.

Innocent people will die, in the thousands. But it is still better than the alternative; millions of dead Europeans, which is the worst case phase 3 scenario.

Q: What about atheists and Odinists, can they join the PCCTS, Knights Templar?

A: If you want to fight for the cross and die under the "cross of the martyrs" it's required that you are a practising Christian, a Christian agnostic or a Christian atheist (cultural Christian). The cultural factors are more important than your personal relationship with God, Jesus or the holy spirit. Even Odinists can fight with us or by our side as brothers in this fight as long as they accept the founding principles of PCCTS, Knights Templar and agree to fight under the cross of the martyrs. The essence of our struggle is to defeat the cultural Marxist/multiculturalist regimes of Western Europe before we are completely demographically overwhelmed by Muslims.

I have studied Norse Mythology and have a lot of respect for the Odinist traditions. I consider myself to be a Christian, but Odinism is still and will always be an important part of my culture and identity.

Q: Is it likely that Odinists will support the cause of the PCCTS, Knights Templar, considering the fact that many of them hate Christendom?

A: First of all, as a Norwegian, I am extremely proud of my Odinistic/Norse heritage as it is an essential aspect of my culture and my identity. However, things aren't black and white. Supporting the Christian cultural heritage does not automatically mean you hate Odinism or vice versa. There are pragmatical considerations Odinists have to evaluate as well. Do they really believe the symbolism of Mjöllnir (Thors hammer) has the potential to unite the Nordic peoples against the forces we are facing? Do they really believe Odinistic symbolism would be more suitable compared to the uniting force of Christendom's symbolism and that of the cross? Anyone with half a brain will know that only the symbolism of the cross (which is a part of all the Nordic flags btw with the exception of Germany) has the potential to unite us for this cause. Choosing to fight under the banner of the cross, does not constitute that you have to reject your Odinistic heritage in any way or form. As for their claim that a Christian principle of suicidal humanism is a part of the root of our current problems, I couldn't agree more. However, instead of abandoning Christendom altogether I know European Christendom can be reformed. The Church wasn't always as weak and suicidal as it is today. The Odinists needs to understand that the Church they hate is the cultural Marxist Church and not the real Church. The Church I love doesn't exist anymore because it has been deconstructed. However, I know that it can be reformed and that it again will embrace and propagate principles of strength, honour and self defense. Instead of abandoning the Church we will save it and re-create it as a nationalistic Church which will tolerate and allow (to a very large degree) native cultures/heritage/thought systems such as Odinism.

As a cultural Christian, I believe Christendom is essential for cultural reasons. After all, Christianity is the ONLY cultural platform that can unite all Europeans, which will be needed in the coming period during the third expulsion of the Muslims.

Odinism is significant for the Nordic countries but it does not have the potency to unite us against such a devastating force as Islam, cultural Marxism/multiculturalism and capitalist globalism. Only Europeans, in solidarity with each other, can solve our current problems. As for secularism, are there any strong uniting symbols at all? I think not. In order to protect your culture you need, at the very minimum, strong, uniting symbols representing your culture. In this context, the cross is the unrivalled as it is the most potent European symbol. I have had this discussion with many Odinists, and even they understand this.

Odinists need not fear us as they should consider us brothers in our common fight. I strongly encourage them to support us. Because we might not succeed in our struggle to defeat the EUSSR cultural Marxist/multiculturalist hegemony without their support.

Q: Do I have to believe in God or Jesus in order to become a Justiciar Knight?

A: As this is a cultural war, our definition of being a Christian does not necessarily constitute that you are required to have a personal relationship with God or Jesus. Being a Christian can mean many things;

- That you believe in and want to protect Europe's Christian cultural heritage.

The European cultural heritage, our norms (moral codes and social structures included), our traditions and our modern political systems are based on Christianity - Protestantism, Catholicism, Orthodox Christianity and the legacy of the European enlightenment (reason is the primary source and legitimacy for authority).

It is not required that you have a personal relationship with God or Jesus in order to fight for our Christian cultural heritage and the European way. In many ways, our modern societies and European secularism is a result of European Christendom and the enlightenment. It is therefore essential to understand the difference between a "Christian fundamentalist theocracy" (everything we **do not** want) and a secular European society based on our Christian cultural heritage (what we **do** want).

So no, you don't need to have a personal relationship with God or Jesus to fight for our Christian cultural heritage. It is enough that you are a Christian-agnostic or a Christian-atheist (an atheist who wants to preserve at least the basics of the European Christian cultural legacy (Christian holidays, Christmas and Easter)).

The PCCTS, Knights Templar is therefore not a religious organisation but rather a Christian "culturalist" military order.

Q: Why haven't we heard anything about PCCTS, Knights Templar before, considering the fact that the organization was formed in 2002?

A: That's a good question. I am surprised why EU countries haven't labeled our organization yet. Perhaps it is politically motivated psychological warfare, who knows? First of all, I only met 4 out of the 9 original founding members due to security precautions and I only know the identity of 5 of them (4 of them know my identity). There might be tens, even hundreds of Justiciar Knights now spread all across Western Europe as far as I know. I haven't heard anything from the media about PCCTS, Knights Templar operations before either which indicates the following; either some of the original cells have not activated yet, which is not very likely considering the fact that the military order was formed more than 8 years ago. Or a couple of the cells may have perished or have been arrested in the planning phase before they even activated. Or perhaps they did activate and went through with their operation but did not manage to penetrate media censorship. A successful operation might have been labeled as an "accident" or otherwise censored by the media/regime. Perhaps a couple of them simply didn't want to proceed alone or in a party with 1-2 other individuals but needed or wanted the support from a larger traditional hierarchy and joined another organisation instead. A few might have gotten cold feet and went about their usual business and

abandoned our struggle and campaign altogether. It is really hard to tell. I do know however that there have been more than a hundred successful operations from armed nationalist movements in Europe the last decade. But the main problem is that a great majority of these operations are not "spectacular" enough to break media censorship. There are too many threats made and not enough action to make a substantial difference at this point. But the resistance movements in Europe are continuously growing and evolving. It is understandable that many organisations will require more time in order to reach a point where they are actually making an ideological difference. I feel it is the responsibility of the PCCTS, Knights Templar to contribute to speed up this process by acting as good role models for all European patriots. It is just a matter of time before one cell succeeds with a spectacular operation. I estimate that there are thousands of cells around Western Europe in the planning phase of an operation while we speak. I don't worry about it as it is still relatively early in phase 1 and we have up to 70 years to win this war, before we are demographically overwhelmed and the systems collapse either way. Another scenario might be that due to the nature of our extremely decentralised platform, the original constitution of the concept might have (for a couple of the co-founders) morphed into different manifestations/interpretations of resistance movements with slightly different political manifests.

I wonder sometimes if one of the EDL founders was one of the co-founders of PCCTS, I guess I'll never know for sure. EDL is a non-violent protest organisation though but I noticed they have copied a lot from the PCCTS. Then again, it is most likely just a coincidence. I do think a lot about what happened to some of the co-founders. It's pointless to speculate I guess but I check the news regularly to see if anything has slipped through the media blackout relating to actions launched by individual resistance fighters or the European Resistance Organisations. I may or may not have had contact with at least 2 of these co-founders since the founding. Obviously, I can't reveal any sensitive information so the above characteristic might be what I want you to believe and not the actual truth:-).

Q: How would you argue against criticism from other so called European chivalric organisations like the Freemasons, the OSMTH and similar?

A: They claim to be Knights of Christ yet they are not willing to sacrifice their life for the preservation of European Christendom. They do not even acknowledge that European Christendom is in the process of being deconstructed. They claim to be Knights but they are not even warriors. How can they claim to be today's manifestation of a pious chivalric order when the core doctrine of the Knights Templar was to submit to voluntary poverty? All I see is a group of decadent individuals who are not willing to make any substantial sacrifices for anyone or anything. Furthermore, Knighthood is directly linked to martyrdom. Taking martyrdom out of knighthood would be like taking elections out of a democracy. A person unwilling to martyr himself for a greater cause can never call himself a Knight and a Christian individual unwilling to martyr himself for the preservation of European Christendom can never call himself a Knight of Christ. We, the PCCTS, Knights Templar, can, and we are currently the most genuine successors to their legacy. It is, however, not our goal to completely mimic the order. Demanding that our members undergo a theological education would be pointless as today's curriculum has been corrupted by Christian pacifists and suicidal humanists. Furthermore, creating a religious order would be counter-productive as a majority of Europe's armed resistance fighters are agnostics, atheists or relatively secular Christians. The organisation is therefore considered a moderate Christian identity organisation and not a religious order.

Anyway, the Freemasons or the OSMTH cannot be compared to the PCCTS, Knights Templar. Yet, I do respect their role in society. They are fine representatives and curators (keepers of cultural heritage) and therefore fulfil an essential role. In fact, we

have much to learn from them and are likely to go to them (their libraries) for research purposes. We salute them for their everyday efforts but will not accept any criticism from them or similar "so called" chivalric organisations.

Q: What do you expect the future Cultural Conservatives intend to do with the "cultural Marxist/multiculturalist elites" if they manage to seize power?

A: This really depends on the circumstances, how far it will go before the sitting regime rejects multiculturalism and real changes are made, or how many native Europeans will be killed in the process. They have until 2020 to capitulate to cultural conservative forces. However, I am not naive enough to expect a surrender. It is a formality in our 100 year struggle. If the expected scenario transpires (they refuse to surrender and reject all our demands) I would assume that all category A and B traitors will be executed and their property expropriated. Category C traitors (up to 10 000 per million) will receive a fitting punishment depending on their crime. It may vary from imprisonment to expropriation of property or losing the right to work in certain positions or professions.

Obviously, many of us reading this will not be alive in phase 3 (2070-2090). Many unforeseeable factors might occur which is impossible to predict so our guidelines are exactly that, guidelines.

Q: Why do we lack credible unbiased analysis of the current right wing?

A: First of all, it is not possible to discuss the "far right wing" objectively if you chose to follow modern politically correct narratives. This is the main reason why there aren't any meaningful debates about this important topic. The only "politically correct" approach to current far right wing movements is to label them all as "evil fascists, racists, Nazis, bigots" and move on. Anyone who tries to scratch the surface and analyse these ideologies further become suspects themselves and might even be labelled as bigots. Racism is considered the "arch sin" in our societies so everyone avoids any analysis around this topic due to the fear that stigma is attached. As we all know; if you are labelled as a racist even once you are as good as dead, from a political viewpoint at least. This is unfortunately the reason why there are no constructive debates on this important topic. In order to fully analyse the right wing you need to completely detach yourself from the politically correct narrative and approach the topic objectively and pragmatically.

I hesitated to include this analysis, mainly because I instinctively dislike writing about anything related to race, ethnicity and Jew hate. I was brought up that way and I still suffer many effects of two decades of multiculturalist indoctrination. Also, I am against the cultural Marxist/multiculturalist alliance and an Islamic presence in Europe, so writing about skin colour would only be counter-productive. However, we can't really ignore NS if we are to make a completely honest evaluation. Western nations can never mount a defence against the cultural Marxist/multiculturalist alliance and Islamic demographic warfare unless we manage to convert the NS over to a more sensible and appealing ideology. The objective is that all their supporters join our cause. This is why it's important to argue against the NS ideology instead of ignoring them.

Q: What do you consider the primary obstacle to Western European right wing consolidation?

A: In order to answer that fully you first have to define right wing. What is right wing? Nationalism, capitalism, individualism, Christian Puritanism, Christendom, cultural conservatism, racial conservatism or perhaps traditionalism? Some terms will always be over-lapping. It's important to understand that the definition of right wing is constantly changing based on perceived "threats". These changes varies greatly though and does not really apply for more "constant" beliefs such as Christian Puritanism, and National Socialism. Personally, I don't fully consider NS as a right wing alternative due to its socialist nature. Nevertheless, let's review different "perceived" far right wing directions and their major traits:

- 1.** Christian far right wing: anti abortion etc (strict puritan beliefs).
- 2.** New right: pro-free-market within a greater European block at least, pro Jewish, anti-Islamisation, anti-multiculturalist, anti-racist.
- 3.** NS right wing: anti-Jewish, anti-capitalistic, racial conservatives.
 - a.** All Western governments are ZOG – Zionist Occupied Governments.
 - b.** The Jews are the cause for the implementation of multiculturalism with all its modern manifestations. Capitalism is a Jewish invention with the purpose of enslaving all non-Jews.
 - c.** The Jews wish to destroy the white race by flooding Europe and the US with "blacks and Asians". This has been done by creating and implementing "multiculturalism".
- 4.** Laissez-faire Capitalism is a globalist concept (no government intervention). Laissez-faire is often used to refer to various economic philosophies and political philosophies (liberalism) which seek to minimise or eliminate government intervention in most or all aspects of society.
- 5.** Fascism – one party state, often cultural and racial conservatives. No common and concise definition exists for fascism and historians and political scientists disagree on what should be in any concise definition. The term *fascist* is used as a pejorative word, a phrase that implies disapproval or contempt and is meant to be insulting.

The Euro-US divide

However tempting to discuss US nationalism/conservatism, I'm not going to. The reason is that the fundamental factors vary too much. The European Americans aren't the indigenous peoples of the US, the Native Americans are. In addition; there are more than 60 million Muslims in Western (25-30) + Eastern Europe (35) while only 9 million in the US.

Also, in my experience, those who disapprove of Israel's right to exist are either anti-Semites or suffer from very poor judgment. Sensible people should support Zionism (Israeli nationalism) which is Israel's right to self-defence against Jihad.

The East-West European divide

If we include conservatives/nationalists from central or Eastern Europe, the term "anti-immigration" does not capture the core concerns of these groups. Because immigration into these countries is very limited, these groups have not mobilised against immigrants. Rather, they have promoted strong right wing nationalism based on anti-EU sentiments,

as well as anti-Semitism and opposition towards other ethnic groups, in particular the Roma (gypsies). The exceptions are Serbia, Croatia, Macedonia, Bulgaria and the Muslim controlled areas known as Bosnia Herzegovina, Albania and Kosovo. While these countries haven't experienced "modern western style" immigration they are very familiar with Islamic demographic warfare, having witnessed the demographic expansion of Albanians and Bosniaks for centuries.

Ironically, some of the former Communist countries in Europe enjoy many freedoms which their Western cousins are lacking. However, this may soon change as they are forced to accept multiculturalist indoctrination policies by the EU (they may be forced to embrace and implement the Eurabia project) leading to mass Muslim immigration in Eastern European countries as well. I really doubt this will happen though, as many of our Eastern cousins have too many un-falsified sources of Ottoman tyranny. They will simply reject these particular EU policies. There are certain policies which are harder to reject than others though. As we all know, the Muslim dominated UN are pushing hard for all European countries to accept Muslim asylum seekers.

Now that we have somewhat defined the term "right wing" we can move on.

It's essential that we, Western Europeans, focus first and foremost on OUR territories. What works in the US or Eastern Europe will not work here. There are simply too many different underlying political factors for that. We need one dominant Western European mainstream ideology specifically "created" for Western European core issues and needs per 2009-2100. So don't waste your time trying to "mimic" US nationalists or chase dead ideologies for that matter!

Q: Are you a holocaust denier?

A: Assuming of course that you are referring to the Jewish holocaust under Nazi Germany; no, I have reviewed the evidence, both the evidence presented by the Allied powers and the anti-holocaust evidence presented by the Axis Powers and neo-Nazi movements. I don't find the anti-holocaust evidence credible so I don't see a reason why anyone should deny the Jewish holocaust. As far as I have understood; Nazi Germany didn't originally want to annihilate the Jews. They were considering deportation but they didn't really have any location to deport them to, and they weren't offered any location by the allied forces. They didn't start massacring the Jews until after they realised that they were losing the war and the window of opportunity was closing fast (after the failed Russian invasion in 1941). I guess, they used the following logic; they felt they had to cut out what they viewed as a cancer before they lost the war somewhat like many Serbs did during the Balkan war. They wanted to deport but as their adversaries made that impossible they chose the only solution (according to their logic). No one should try to justify genocide, it is a bad thing that cannot or should not be excused. There are always other options.

My problem with holocaust denial however is the European cultural Marxist/multiculturalist elite's refusal to acknowledge the Christian, Hindu, Buddhist, Zoroastrian genocides by the hand of the Islamic Ummah. Islam has systematically slaughtered more than 300 million people since its creation and this trend is continuing every year (see the continuation of the Assyrian, Coptic, Maronite, Hindu genocides in the Middle East). The politically correct elites of the EUSSR/USASSR are the true holocaust deniers as they refuse to acknowledge current and historical Islamic atrocities.

Furthermore, while I oppose deniers of the Jewish holocaust I realise that the "holocaust religion" is an extremely destructive force in Europe. Today, European youths are

systematically brainwashed and made into pacifist eunuchs (school classes being bussed to former concentration camps and taught to reject their culture, pride etc.). Our elites, backed by the EUSSR/USASSR cultural hegemony, are stripping away any sense of pride and honor from European youths in a deliberate scheme to feminise/pacify them in order to prevent future Nazi movements from emerging. The problem here is that we are left with little to none cultural defenses against any force which would want to conquer us. This is why the Islamic Ummah have been taken advantage of our lack of cultural defenses and are currently colonising us, facilitated by our traitorous cultural Marxist/multiculturalist elites.

The "holocaust religion" has grown into a destructive anti-European monster, which prevents nationalistic doctrines from emerging. And without nationalistic doctrines, Europe will wither and die, which we are seeing today. It's quite ironic that Even Israel would appear to have become a victim of it. Needless to say, while I am a strong supporter of Israel and of all patriotic Jews I acknowledge that the anti-European holocaust religion must be deconstructed, and instead replaced with an anti-Islamic version. After all we are talking about a disproportion of 6 million killed Jews vs. 300 million massacred Jews/Christians/Hindus/Buddhists/Zoroastrians/Animists.

As of now, the "holocaust religion" is one of the major factors that are making Europe vulnerable and susceptible for Islamic conquest through demographical warfare.

European cultural conservatives are today faced with the similar scenario that our Serb brothers were. Yes, we are going to deport every single Muslim from Europe, but we must do everything in our power to avoid unnecessary bloodshed as it would hurt our cause and serve as a catalyst to consolidate our adversaries and allow them to justify the use of unrestricted military power against us. So what if our enemies bomb our roads, rail ways and boats, making it impossible to deport? If we are prevented from deporting we must focus on the real issues and not do anything short sighted. If we do not have a military or political advantage we should focus on preserving and strengthening our fragile regime instead of risking it all by acting prematurely. In that scenario, we should wait a few years until more countries join our alliance until the day where we have the required roads, trucks, railroads and boats (and a sufficient military force to protect ourselves) in order to start deportations.

Q: Why do you consider National Socialism to be a "dead" ideology?

A: First of all, the reason I've made extensive research around the following fields is because I think it's time that all Western European NS's realises the harm they are causing in regards to right wing consolidation. National Socialism was designed for Germany after WW1 and it addressed the concerns and needs of the time (according to them). The ideology was defeated in WW2 but many right wing individuals still refuse to let it go. By doing so they are effectively undermining CURRENT concerns and needs of our time. There are currently so many defensive mechanisms in place in Western European societies against National Socialism that any attempt to resurrect the ideology will be counter-productive.

The relatively new Anti-Eurabian, Christian cultural conservative stance however is an ideology specifically designed to resist these defensive mechanisms or "baits" if you will. The goal of my argumentation is to contribute to remove the last doubts with the remaining NS's. Everyone who wants to contribute to save Europe from cultural genocide should reject National Socialism and instead chose the Anti-Eurabian, Christian cultural conservative stance. It is a hybrid of various right wing concepts which has the potential to gain the support of aprox 35% of Europeans.

At the end of the day the goal is all that matters. If you are unable to conform and adapt to current and modern concepts which has the potential to bring us to power you will only undermine your own efforts.

It should be noted though that the majority of the individuals who are labelled as NS today by the cultural Marxist/multiculturalist establishment are not at all NS and very often opposed to any NS policies. There are, however, NS out there, some are ideologically confident senior members and many young and "confused" so called neo-Nazi's who mimic the older generation NS. This is a huge challenge that must be addressed.

Deceitfulness is the most basic concept in warfare and in politics

"War is deceit"

Muhammad

Muhammad himself made this statement more than 1000 years ago. Politics is war. If you are unable to understand this concept then you have already lost. The Marxists, like the Muslims, are masters of deception.

The Muslims understand this very well and have institutionalised deceit through the concept of "al-Taqiyya". The multiculturalists or cultural Marxists have institutionalised deceit through advanced concepts. They want to destroy Western Civilisation and the European identities.

Multiculturalism is an anti-Western hate ideology aimed at undermining the indigenous peoples of Europe and destroying European civilisation and culture. However, they have created an illusion that the ideology is all about tolerance. Multiculturalism has never been about tolerance. It is an evil ideology bent on an entire culture's eradication.

We have to give both the Muslims and the cultural Marxists credit though. I respect their ingenuity if anything.

They have systematically ideologically coerced/brainwashed two generations of Europeans in the attempt to modify people's social and political philosophy and instilling certain attitudes or beliefs in a person. The aim has been to affect individual value systems and subsequent thought-patterns and behaviours. And they have succeeded to a large degree.

This has been done by the use of falsified or biased statistics, falsified or biased sources, biased/unbalanced coverage, labelling opponents as bigots/racists/Nazis - using propaganda, manipulation and other forms of trickery in order to lay the foundation for a new society based on multiculturalism and emotionalism/extreme egalitarianism. They have therefore managed to limit opposition/resistance towards themselves and towards mass-Muslim immigration/Islamic demographic warfare.

As a result we are under the current Islamic invasion/colonisation. In 1955 there were less than 50 000 Muslims in Western Europe. Today there are more than 25 million.

What have the NS movement achieved in this period?

Not as much as they could have, they have spent much of their time defending an already "exposed" ideology that has no popular support whatsoever. An ideology which started as a "deceitful" ideology but who has been completely exposed for what it is. The most popular NS party has received a maximum of 5% support in any election the last 50 years. I can't really find the words to describe how counter-productive the NS ideology is in today's society. It serves as the primary catalyst and reason why multiculturalism has been so successful.

I'm going to try to cover many aspects of NS in order to describe why I think the current NS's should reject this ideology and support the new Western European right wing movement (pro-Jewish, anti-Islamic stance).

Economy

There are many flaws with the European free market system but I still think that our current version is better than all other economic systems. Of course, there's a great difference between the US and EU system (even a great variety between the different European models), I tend to favour a middle way, a compromise between the US version and the average EU system. The British system has proven to be sustainable compared to more socialist oriented variants.

Jews

There are only 1 million Jews in Western Europe (800 000 of them in France and the UK) while there are 5-6 million in the US. So naturally, the American NS movement is much more obsessed with the Jews than Europeans are. The Jews influence in EU policymaking is marginal but several right wing groups continue with this obsession regardless. As a comparison there are 25 million Muslims in Western Europe, up from 50 000 in 1955. This factor alone proves that the NS ideology is irrelevant and completely outdated in today's society. However, the National Socialist still claim that these 200 000 Jews (in Western Europe with the exception of France and the UK) are in full control of all governments and are swamping Europe with people of colour (Muslims included) in order to destroy these three white races (Nordics, Alpines and Mediterranean's). This conclusion is incorrect.

Jews in Western Europe

There were slightly more than 1 million Jews living in Western Europe at the start of 2002. Of these, nearly 80 percent could be found in France and the United Kingdom, home to Europe's largest and strongest Jewish populations.

The number of Jews in France fell from 535 000 in 1980 to some 500 000 in 2002, a loss of over 6 percent. The Jewish community is in rapid decline due to assimilation, intermarriage and low birth rates.

British Jewry fared even worse. There were 430 000 Jews living in Great Britain in 1950, but just 283 000 in 1996.

"French Jewry will experience a slow but steady decline from 520 000 in 2000, to 480 000 in 2020, to 380 000 in 2050, and 300 000 in 2080." "The Jewish population in the United Kingdom will decline to 240 000 in 2020, 180 000 in 2050, and 140 000 in 2080."

In smaller Jewish communities in Europe, the retrenchment rates have been even more pronounced; for example in Ireland, where the 1991 census found there to be 1 581 Jews. Today, the number is said to be approximately 1 000, marking a decline of over 50

percent in just a decade. In Norway there are only approximately 950 Jews and the number is declining.

Even in countries where the numbers have remained fairly stable, such as Spain or Italy, or which have experienced growth, such as Germany, it is primarily due to an influx of immigrants from the former Soviet states, and not because of any inherent vitality within the local community itself.

So the general tendency in Western Europe is that the Jewish community is rapidly declining due to assimilation, intermarriage and migration to Israel and the United States.

So basically, the NS ideology suggests that 950 Jews are controlling the Norwegian government, a government which is known to be the most anti-Zionist of all European countries...!? Let's not forget, 1 000 Jews are controlling Ireland etc. These NS claims are absolutely ridiculous and counter-productive. Being a Norwegian myself, I know that these claims are completely false. They have no credibility whatsoever. The reason why multiculturalism was embraced in Norway and a majority of Western European countries was because of the cultural Marxist/multiculturalist alliance, an alliance dominated by indigenous atheist nationals and not Jews. Same can be said regarding claims against the Freemasons. According to the NS movement the Freemasons are a Zionist organisation. Being a Free Mason myself I know that this is not only a false claim but actually quite ridiculous. The Freemasons is not in any way political (I wish the organisation was, believe me) and it is true that they have a positive view on Jews. However, this is from a Christian religious context, where solidarity to Jews and Israel is important. The Freemasons is a Christian only organisation and no Muslim or Jew could become a member even if they wanted to. There are no political bodies within the organisation nationally or internationally.

Jews in the world

Most estimates I have seen suggest that there are about 13-14 million Jews in the world. The vast majority of these Jews live in either the United States or Israel, each with approximately 5-6 million Jews. There are less than 2 million Jews in Europe combined (Western Europe totals 1 million), 400 000 in Latin America and 350 000 in Canada. In Africa, there are less than 100 000 Jews, about 90% of whom live in the country of South Africa. There are about 100,000 Jews in Australia and New Zealand combined. There are about 50 000 Jews in Asia (not including Israel).

Jewish upbringing and the capitalistic system

Steven L. Pease writes:

"Jews make up 0.2 percent of the world population, but 54 percent of the world chess champions, 27 percent of the Nobel physics laureates and 31 percent of the medicine laureates. Jews make up 2 percent of the U.S. population, but 21 percent of the Ivy League student bodies, 26 percent of the Kennedy Center honourees, 37 percent of the Academy Award-winning directors, 38 percent of those on a recent Business Week list of leading philanthropists, 51 percent of the Pulitzer Prize winners for nonfiction."

Jews are the single most successful "group of individuals" in the world based on their numbers (13-14 million only), both economically and within various other fields (Politics, Science, Literature etc.). Why?

For those familiar with Jewish history knows that they have been persecuted all over the world the last millennium. They have been targeted in both Muslim and Christian societies up until the 20th century. These events, in combination with sionist thought, have contributed to shape the Jewish mentality, principles and upbringing. Jews are naturally far more paranoid than most people and teach their offspring about valour, the value of long term goals, the value of saving/investing instead of spending and the value of the nuclear family and family loyalty. As such, they indoctrinate their children in a different way than Christian families do. Jews often teach their children to save while Christian families teach their offspring to spend. In this regard Jewish families tend to focus on long term goals while the average Christian family is much more short sighted (Be happy now, you might die tomorrow – credit cards etc.). Obviously this generalisation has a lot of exceptions and it is gradually being diluted due to gradual assimilation. From a historical context however, Jewish upbringing compared to Christian has been influenced by the “minority/majority syndrome”. So the main difference why Jews are often more successful than Christians (and especially Muslims) are the varieties in the indoctrination during their upbringing. Some Jews will claim that they have a higher IQ than Europeans due to biology. However, if this was true then the world IQ ranking would not indicate that the average IQ for European countries is in fact higher than that of Israel[1]. The focus on self interest and camaraderie has historically been a factor which again is linked to historical persecution and other similar factors. This can also explain why they have survived for so long in “hostile environments” like the Muslim world and pre-20th century Europe.

Many of the same “Jewish” principles are practised by Christian families though. An estimated 60-70% of Jews and around 10% of Christians focus on these important principles which are manifested in their social positions in society.

These principles in upbringing and family orientation are therefore not really limited to Jews. In Ottoman Turkey, the Christian Armenian minority were equally successful, handling most of the banking and commerce (until the Muslims wiped them out).

So I would rather say, let’s adapt instead of criticise. Obviously, camaraderie is bad and must be eliminated (Jewish Oligarchs in Russia is a very nasty example of this). But I agree with most of these principles/ethics and I fully support this mentality (Save/invest instead of spend+ focus on long term goals). Does that make me a Jew?

For the sake of the argument (and knowing that NS’s are obsessed with ethnicity); I’m 100% of Nordic descent and a protestant Christian with no ties to any Jewish organisation which would cloud my judgement. I’m from the West side of Oslo, and most of my current friends are from privileged families (middle or higher middle class). There are many factors that separate us from lesser privileged families on the East side. The essential factors are the ethics and principles you adapt in your community. You don’t necessarily have to be from a privileged family to succeed, obviously, but the common factor is that you have to be able to identify these principles as early as possible in your life and adapt if you want to excel and be what you can be.

Jews and camaraderie in business

There are some examples of unfortunate Jewish camaraderie. One example is the Jewish community in Russia. It’s no secret that 7 out of 8 Russian Oligarchs are Jews. It’s an obvious and unfortunate case of Jewish camaraderie in which criticism is warranted without calling the critics anti-Semitic. Measures have and should continue to be taken to understand and solve those cases. It’s likely that those individuals received financial backing from Jews in their society and possibly other countries which made the takeover

of state companies possible. All Jews should be at the forefront in criticising networks like that as it fuels anti-Semitism.

There are some alleged claims of Jewish camaraderie in the US and EU but I haven't been able to locate reports which back this up. My general impression and my own research indicate that in US/EU business community, Jews and non-Jews are working together as one entity, with an excellent record of inter-ownership. There are large non-Jewish investors in almost every large Jewish US and EU corporations. This can be confirmed by checking the Board of Directors and list of investors in Goldman Sachs, Lehman Brothers etc.

So to sum it up; I haven't found any revealing reports which shows any proof of significant Jewish networks with the intention of undermining non-Jewish capital or ownership.

What's more notable when speaking about camaraderie are the Japanese raids combined with protectionism in the US/EU during the 80's. It's very disturbing how the Japanese succeeded to wreck havoc in the US electronics business, basically putting a whole industry out of business within a decade (By state funded dumping of prices). Today, Japan, China and several other countries have implemented a protectionist system which seeks to drain US/EU economies by making us net consumers. Japan, China and several other countries are systematically keeping their own currency low in order increase profits on export.

Secondly, Saudi Arabia alone own around 9% of all US listed companies at the moment. The Saudi's and other Islamic countries have a lot of political leverage now in the US and EU due to their investments. It's therefore imperative that we gain energy independence by investing and developing alternative energy.

Jews and multiculturalism

The international Jewish community and Jews in Israel are far from a homogenic entity. Jews, like all other people and groups, have different and often opposing views.

There are anti-Zionist Jews which seek the dismantlement of Israel (The group of Jews that met with the Iranian President). There are other larger groups of Jews who want to deport all Muslims and obliterate Iran etc. Most of the remaining Jewish Diaspora living in the US and Europe would never consider moving to Israel at all because they identify as nationals of their country. A majority of them do not support the Israel hard line right wing policy. A majority of Jews see themselves as Americans or Europeans and continue to assimilate. However, certain of the wealthy and influential "western Jews" are opportunistic and seek to promote and to protect Israel's interests. It is true that a handful of these individuals engage in networks/camaraderie in order to consolidate power. The lack of documentation on this topic indicates that this is very limited though.

The Jewish community have traditionally and historically, since WW2, been known as supporters of the EU's Eurabia project/European multiculturalism.

Most Jews supported the "politically correct" establishment because they felt that it suited their needs. Another reason is that support to them will more effectively convert into pro-Israel policies. They also wanted to prevent and undermine any potential nationalistic revitalisation due to the fear of National Socialism. To the Jewish community, multiculturalism is the best short term solution for securing their goals of "de-Nazifying" Europe. They do not yet fully trust the pro-Israel, anti-immigration parties in the few countries where these exist. Furthermore, just like non-Jews, they don't

comprehend the long term effects of multiculturalism. They haven't yet realised that Western European countries (and Israel for that matter) will have a Muslim majority by 2080. At the same time they feel an increased scepticism towards the increased Islamisation.

Regardless of what the Jewish communities motives are I think it's imperative that they take a stance on multiculturalism and Muslim immigration as soon as humanly possible. They have to recognise that "multiculturalism" is the system that allows Europe to be Islamised and it's obviously not in their interest to contribute to this.

Jews will in a much larger degree start to support the "new right" (just like everyone else), who oppose multiculturalism as a means to stop Islamisation, at least this is my hope. In the back of their minds they realise that a Muslim Europe will be more "anti-Semitic than a Christian Europe. Muslims don't have the guilt complex that Europeans have. Many Jews feel they are trapped between the "bark and the wood", they are both sceptical of Muslim immigration on one side and of the nationalist far right wing movements on the other side.

Nevertheless, time is off the essence and it is imperative that the European Jewish community without delay take a stance on the ongoing Islamisation. Neutrality on this issue is not an option. The only way of doing this is to back the new right wing (anti-multiculturalism, pro-Israel) groups and political parties (also manifested through views such as by moderate Jewish writers such as Daniel Pipes and Bat Ye'or).

The problem then arises as some European countries (Sweden, UK, France, Spain etc.) lack a credible and moderate anti-Eurabian political alternative. The anti-multiculturalist parties in these countries still lack reputational shields and many of the current "old school" leaders are quite tainted by history (historical NS sympathies). In these cases the most pragmatical approach would be to implement anti-NS reforms (a just form of nationalism) or to contribute to create a new political alternative (a credible and moderate anti-Eurabian political party or organisation).

Conclusions:

The NS claim that all European governments and the EU parliament are ZOG is completely ridiculous something which the EU's and European anti-Israeli policies prove. Many Jews do support multiculturalism (perhaps disproportionately), but that doesn't mean that all Jews are our enemies.

To quote Fjordman:

"I'm sick and tired of the Jew fetishism some people seem to have, who are incapable of writing about any issue whatsoever without involving "Jewish conspiracies." The plans for the creation of Eurabia, which are unfortunately very real, not a conspiracy theory, have been exposed by a Jew, Bat Ye'or, who has done this continent a great service by doing so. Every Jew hater should think about that for a while. "

There are Protestant, Catholic, Orthodox, agnostic, atheist and Jewish category A and B traitors in Western Europe and they will all be targeted. And yes, many of Hollywood's movie/entertainment producers and capital market investors are considered category A and B traitors (both Christian and Jewish). So let there be no doubt whatsoever; I would be the first person to pull the trigger, given the opportunity, if I ever saw a Jewish category A or B traitor. But I will not kill him because he is a Jew, but rather because he is guilty of indirect/direct atrocities against Europeans just like every other cultural

Marxist/multiculturalist category A and B traitor. It's essential to judge each person individually in this regard and not according to their DNA structure.

It's encouraging to see that an increasing number of National Socialists in Western Europe are rejecting their old ideology and embracing a more just form of nationalism; the Christian, cultural conservative, anti-Eurabian stance.

A modern cultural conservative (nationalist), anti-Jihad right wing alternative is emerging in Western Europe. A majority of Western European right wing groups are all anti-Islamisation and pro-Israel. They wish to include the Jews in our fight against multiculturalism and the Islamisation of Europe. Israel is at the forefront of global Jihad. If Israel falls, then all the forces currently targeting Israel (Islamic Jihad, Hamas, Hezbollah, Muslim Brotherhood financed by Saudi, Iran etc.) will start to focus full heartedly on Europe.

We still have a lot of work to do. We must continue to pressure the old generation "NS" movements and invite them to join our ranks. Through adaptation and change they will contribute to create and further develop an "un-tainted" anti-Islamic/anti-multiculturalistic stance – the "new strong European right". This will be a challenge for sure, especially in certain Eastern European countries. We expect the support of all cultural conservative Jews in our future consolidation efforts.

Source:

1. http://en.wikipedia.org/wiki/IQ_and_the_Wealth_of_Nations

Q: Is it possible that cultural conservatives and National Socialists will cooperate in the future?

A: It will be extremely hard to cooperate with anyone who views our primary ally (the Jews/Israel) as their primary enemy. Their Jew obsession and support to Islamic regimes will severely hinder any direct cooperation. They are blinded by their Jew hate to a degree where they fail to see the imminent threat to Europe represented by Islam.

The following poll was taken from eNationalist, a rather hardcore NS site:

eNat Poll[4]: Can the Arab world and part of the Islamic world be our allies?

Yes: 44%

No: 52%

This poll indirectly illustrate that the hardcore NS community reject the concept of European Christian solidarity and thus rejecting the support to our Eastern Christian cousins (Greek, Maronite, Assyrian, Copt) with the long term goal of creating future Christian (Islamic free) zones. It also shows that they are generally supportive of alliances with Islamic countries.

It wasn't exactly a secret that many in the NS movements rejected Christendom completely and instead support Odinism. It is however understandable that they view modern humanist Christendom as weak and therefore unworthy of support (a view which I partly agree with). However, the solution is not to reject Christianity but rather to reform Christianity to re-introduce the concepts of "self-defence" as propagated by former Crusader Popes. Also, we shouldn't forget that Nazi Germany allied itself with the

Ottoman Caliphate/Turkey on two occasions and supported the Christian Armenian genocides.

Many NS support the Islamic conspiracy theory that Jews organised the 9/11 attacks and both reject that the Holocaust took place. In light of these opposing views it's hard to imagine that the "new Western European right" will be willing to trust National Socialists.

One of the reasons why hardcore anti-Semites (David Duke would be a case in point) are unreliable allies is that they hate Jews so much that it shuts down the rational parts of their brain and they end up making common cause with Muslims, based on mutual hatred.

Fjordman

However, we have certain things in common that shouldn't be underestimated.

We share the same anti -EU, -UN and -immigration/multiculturalism (Muslim immigration at least) sentiments and the goal of "preserving European traditions, culture etc" which is the primary reason why more and more ex-NS people are conforming and joining the new "European right".

As a message to those hardcore NS's who are simply unable to compromise; Conform and join our armed struggle against the European cultural Marxists/multiculturalists (the enablers of the Islamisation of Europe), or continue to be sidelined and marginalised. Multiculturalism is the hole in the dike. Islam is the water pouring in. Everything else should be irrelevant. Your "Jew" obsession is undermining your own struggle against multiculturalism.

The cultural conservatives of Western Europe will seize power by 2080, if you want to be a part of this you will have no choice but to compromise. I would imagine that a continued Judeo Christian Europe would be considerably better than a European Caliphate even for the most hardcore NS.

Q: Some "Ghandist/pacifist" members of the conservative resistance will claim that violence will not solve anything and will instead only give our enemies more rhetorical ammunition and make it easier for them to gain the moral ground. They will finally be able to say; "terrorism has no religion". "By using terror you are undermining your own struggle and hurting the nationalist cause".

How would you react to statements like this?

A: Well, first of all, I would tell him he obviously didn't have a clue what he was talking about. Pacifist approaches have been tried in the past; in Lebanon where the Christians waited until the Muslims made up 60% of the population. The Copts in Egypt have been relatively pacifist and look what it got them... They are almost extinct due to their pacifist stance. The same can be said about the Christian Assyrians and Armenians. They waited and waited, like loyal little dhimmis and "hoped" for a better future, until the day the Muslims decided to massacre them. Ghandi pacifism worked against the Brits in India because Christian Europeans aren't primitive barbarians... However, pacifism doesn't work at all against an Islamic entity. As soon as they become a form a majority (and this will happen unless we can start the deportation campaigns in time) they will strike and eventually massacre us as history has shown again and again.

A great majority of the European conservatives have chosen dialogue and pacifism since 1955 until today. And what exactly has it gotten us...? During the last 55 years of pacifist dialogue, the multiculturalists have been allowed to open the gates and flooded our ancestral lands with 30 million Muslims and they even continue to do so today. Should we perhaps try dialogue for another 40 years and see what that brings us...? Only a suicidal individual would accept this. Not acting would be the biggest of all crimes.

The time for dialogue is over for an increasing number of Western Europeans. The European civil war will progress the coming decades and our traitor enemies will eventually be defeated and executed.

Your personal life and convictions

Q: How did you first get involved in your current activities?

A: Well, I gained awareness of certain issues at that time. My best friend for many years, a Muslim, had lived his whole life in Oslo West with limited contact with the Norwegian-Pakistani community. Yet, he and more or less 100% of youngsters like him still failed in many ways to be integrated. He attended Urdu classes at school from early childhood. He went to the mosque occasionally after he was 12. Like most Norwegian-Pakistanis he felt really torn between the Norwegian community and the Pakistani community. However, I was wrong when assuming that he would chose to follow my path and the Norwegian way. I understood early that he resented Norwegians and the Norwegian society. Not because he was jealous, after all he could have conformed if he wanted to. He resented it because it represented the exact opposite of Islamic ways. Shortly after we broke of contact he left Jon Trygve and Richard and started hanging out with his cousin and other Pakistanis. Since then he has been a part of the Pakistani community in Oslo and has, as far as I know, minimal contact with the Norwegian community. Since then he and his Muslim friends have beaten and harassed several ethnic Norwegians, one of them being my friend, Kristoffer.

According to Kristoffer, Arsalan and a bunch of Pakistanis tried to rob him (See: Jizya). When he refused to pay them, they beat him badly. Luckily, there were witnesses around and this incident in addition to Arsalans other acts of violence against ethnic Norwegians resulted in him being incarcerated for 6 months. Another incident, which was confirmed from reliable sources, happened on New Year's Eve in Frognerparken, Oslo. Arsalan and his Pakistani friends allegedly gang raped an ethnic Norwegian girl. I believe this was in 95 or 96. As far as I know, they were never charged with this crime due to the lack of witnesses.

Muslim girls were off limits to everyone, even the Muslim boys. The only available "commodity" at this point was therefore ethnic Norwegian girls, referred to as "whores". Due to the tolerance indoctrinated through Norwegian upbringing - girls aren't brought up to be sceptics, racists or anti-immigrant, just like most boys. They are all brought up to be very tolerant. As a result, many ethnic Norwegian girls, especially in Muslim dominated areas, despise ethnic Norwegian boys because they consider them as weak and inferior with lack of pride, seeing as they are systematically "subdued" by the "superior Muslim boys". Ironically, Muslim boys are raised to view Norwegian girls as inferior "whores". Their only purpose is to bring pleasure until the Muslim guys are around 20-25 when they will find a pure, "superior" Muslim girl, a virgin. At this point, the ethnic Norwegian "whores" is discarded, and most of the girls go back to their old "tribe". They are welcomed back in the name of tolerance.

More or less all Muslim parents will tell their sons the following: "You can have fun with the Norwegian whores, as long as you marry a Muslim". If, against all odds, a Muslim guy wants to marry one of these "whores", she has to convert to Islam - no exception. The Muslim girls however are guarded by their male family members like they were made of pure gold. If a Muslim girl, against all odds, engages in a relationship with an ethnic Norwegian guy, then the Muslim males from her family or "tribe" will kill her or forcefully take her to their country of origin to be "educated" for a few years. They will attempt to lure her on a vacation to Pakistan, Morocco, Somalia etc. and possibly kill her there, if she still refuses to conform. An alternative strategy is to forcefully marry her off to a local Muslim guy and keep her in their country of origin until she is sufficiently "tied down" through impregnating her and systematical indoctrination. When she is "tied down" with 2 or more children there isn't much she can do. Also, it's not very risky to kill Muslim girls in Muslim countries as most government officials are corrupt and "very understanding", especially in cases where a family wants to "restore their pride". This is

the main reason why Muslim girls are occasionally sent back to their country of origin, in order to prevent them from becoming too "European". They are often sent back to Europe, after several years of abduction and indoctrination when they are sufficiently subdued and under control of the Muslim society. It's not very tempting for Muslim girls to file a divorce and risk getting frozen out of the Muslim community or risk getting killed when they have 2-4 children.

I also remember from my earlier childhood, two Pakistani and one Turkish girl from Smestad school, the primary school I attended; Baligha, Modazzer and Eilif. Baligha was Faizals, my friend's, sister, I didn't know Modazzer although she was my neighbour, but I used to play with Eilif, Onors sister. At that time there were three Pakistani families in that area and one Turkish, all except the latter lived in publicly subsidised apartments, in accordance with the government's integration program. I remember the day when Modazzers chair was empty. We didn't get an answer from our teacher regarding her whereabouts. She was supposed to have returned from her summer vacation in Pakistan. The next year Eilif was sent to Turkey. I heard her father thought she had become "too Norwegian". A few years later, the exact same thing happened with Baligha. One day she didn't show up for school after her vacation in Pakistan. I was only 10 years old at that time and didn't really know what was going on. In retrospect I know that they were sent back to their country of origin, and no one as far as I know has heard from them again. They were most likely either married away at young age or killed. I know exactly where those families live(d) and I know for a fact that they vanished and didn't return for several years. At this point I knew nothing about Islam. I only learned at school that Islam was peaceful and tolerant, very similar to Christianity. I was therefore unable to make the correct conclusions and identify that both Baligha and Modazzer had in fact been abducted.

Anyway, back to the topic. When I was around 16-17 years old I joined the Progress Party Youth organisation (FpU) as they were anti-immigration and pro-free-market. Every single journalist in the country regarded them as racist because of their anti-immigration program. FrP were under constant attacks from every single media organisation, NGO's and all the other political parties. They were called racists and Nazis and were generally labelled as "fascist pigs". FrP appealed to me because I had experienced the hypocrisy in society first hand and I knew already then that they were the only party who opposed multiculturalism.

It became obvious to me early on that the hypocrisy in society was so prevalent and overwhelming. I now started to see the connection between Islam, Western media, the extreme left and the government. I started studying Islamism, Socialism, egalitarianism and other directions of Political Science and became more aware of what was going on. I then, for the first time, understood why I hadn't learned anything of relevance about Islam at school, and the motives for suppressing the truth on these issues – political correctness.

Around year 2000 I realised that the democratic struggle against the Islamisation of Europe, European multiculturalism was lost. It had gone too far. It is simply not possible to compete democratically with regimes who import millions of voters. 40 years of dialogue with the cultural Marxists/multiculturalists had ended up as a disaster. It would now only take 50-70 years before we, the Europeans are in a minority. As soon as I realised this I decided to explore alternative forms of opposition. Protesting is saying that you disagree. Resistance is saying you will put a stop to this. I decided I wanted to join the resistance movement.

However, the main problem then was that there weren't any alternatives for me at all. There weren't any known armed cultural conservative, or Christian, anti-Jihad movements.

An NS or racist/anti Jewish movement was completely out of the question, as they represented much of what I oppose. I came in contact with Serbian cultural conservatives through the internet. This initial contact would eventually result in my contact with several key individuals all over Europe and the forming of the group who would later establish the military order and tribunal, PCCTS, Knights Templar. I remember they did a complete screening and background check to ensure I was of the desired calibre. Two of them had reservations against inviting me due to my young age but the leader of the group insisted on my candidature. According to one of them, they were considering several hundred individuals throughout Europe for a training course. I met with them for the first time in London and later on two occasions in Balticum. I had the privilege of meeting one of the greatest living war heroes of Europe at the time, a Serbian crusader and war hero who had killed many Muslims in battle. Due to EU persecution for alleged crimes against Muslims he was living at one point in Liberia. I visited him in Monrovia once, just before the founding session in London, 2002.

I was the youngest one there, 23 years old at the time. One of the key founders instructed the rest of the group about several topics related to the goal of the organisation. I believe I scribbled down more than 50 full pages of notes regarding all possible related topics. Much of these notes are forwarded in the book 2083. It was basically a detailed long term plan on how to seize power in Western Europe. I did not fully comprehend at the time how privileged I was to be in the company of some of the most brilliant political and military tacticians of Europe. Some of us were unfamiliar with each other beforehand so I guess we all took a high risk meeting face to face. There were only 5 people in London re-founding the order and tribunal (1 by proxy) but there were around 25-30 attending in Balticum during the two sessions, individuals from all over Europe; Germany, France, Sweden, the UK, Denmark, Balticum, Benelux, Spain, Italy, Greece, Hungary, Austria, Armenia, Lebanon and Russia. Electronic or telephonic communication was completely prohibited, before, during and after the meetings. On our last meeting it was emphasised clearly that we cut off contact indefinitely. Any type of contact with other cells was strictly prohibited.

This was not sessions where regular combat cells were created. It was more like a training course for pioneer cell commanders. We were not instructed to attack specific targets, quite the opposite. We were encouraged to rather use the information distributed to contribute to build and expand the so called "cultural conservative anti-Jihad movement, either through spreading propaganda, provide funding for the creation of new groups through various forums or by recruiting other people directly. All individuals attending the sessions learned about PCCTS, the Knights Templar but they were not specifically instructed to represent that particular order and tribunal. Everyone was encouraged but at the end, it was their own decision how they decided to manifest their resistance. A special emphasis was put on the long term nature of the struggle (50-100 years). Our task was to contribute to a long term approach and not to act prematurely. If there was a large scale attack the next 10 years it was said, we should avoid any immediate follow up attacks as it would negate the shock effect of the subsequent attacks. A large successful attack every 5-12 years was optimal depending on available forces.

This was not a stereotypical "right wing" meeting full of underprivileged racist skinheads with a short temper, but quite the opposite. Most of them were successful entrepreneurs, business or political leaders, some with families, most of them Christian conservatives but also some agnostics and even atheists. I remember it struck me how impressed I was regarding how they had set up the screening parameters (for accepting new candidates). They obviously wanted resourceful pragmatical individuals who were able to keep information away from their loved ones and who were not in any way flagged by their governments. Every one of them was supportive of a Judeo Christian Europe and did not have any reservations against cooperating with non-European Christians Hindu or Buddhist nationalists. I had or have a relatively close relationship with at least one of them, an Englishman, who became my mentor. He was the one who first described the

“perfect knight” and had written the initial fundament for this compendium. I was asked, not only once but twice, by my mentor; let’s call him Richard, to write a second edition of his compendium about the new European Knighthood. As such, I spent several years to create an economic platform which would allow me to study and write a second edition. And as of now, I have spent more than three years completing this second edition. Perhaps, someone out there will be able to contribute by creating a third edition one day.

Q: What tipped the scales for you? What single event made you decide you wanted to continue planning and moving on with the assault?

A: For me, personally, it was my government’s involvement in the attacks on Serbia (NATO bombings in 1999) several years back. It was completely unacceptable how the US and Western European regimes bombed our Serbian brothers. All they wanted was to drive Islam out by deporting the Albanian Muslims back to Albania. When the Albanians refused, they really didn’t have any choice but to use military force. By disallowing the Serbians the right for self-determination over their sovereign territory they indirectly dug a grave for Europe. A future where several Mini-Pakistan’s would eventually will be created in every Western European capital. This is unacceptable, completely unacceptable.

There have been several issues that have reaffirmed my beliefs since then. Among them; my governments cowardly handling of the Muhammad Cartoon issue and their decision to award the Nobel peace prize to an Islamic terrorist (Arafat) and appeasers of Islam. There have been tens of other issues. My government and our media capitulated to Islam several years ago, after the Rushdie event. Since then, it has gone downhill. Thousands of Muslims pouring in annually through our Asylum institution, or by family reunification. The situation is just chaotic. These suicidal traitors must be stopped.

Q: How did you proceed after these sessions in 2002-2004?

A: I understood early that in order to be able to work full time with what you want, you need to gain economical independence. I was not rich at the time and I had to somehow find a way to earn enough funds to be able to contribute.

Late in 2002 I was working full time as a mid level leader in a customer service company. At the same time, I started a company that focused on outsourcing of programming services. It went quite well. And around May 2003 I quit my day job to focus entirely on my business. The next three years i worked an average 12 hours per day with my company; E-Commerce Group. At one point I had 6 employees, 2 in Norway, 2 in Russia, 1 in Romania and one in Indonesia. I registered an off shore company and several off shore bank accounts in order to avoid excessive state taxation (anonymous debit cards and ATM`s ftw). This way, I could build up funds faster. My initial plan was to earn at least 5 million, then use the acquired funds to start a pan-European conservative movement or plan an advanced operation. It started out great and I earned my first mill (NOK) at the age of 24 which peaked at 4 million, 12 months later. In 2005 and 2006, recession hit my industry which resulted in lower income margins. As a result I decided to discontinue my company and instead salvage all the funds I could. The most cost efficient way of doing this in my country is to file for bankruptcy, which I did. I had now completed my goal and I had enough funding to proceed with planning of an assault operation.

I spent three years were I focused on writing the compendium, 2083. During a 12 month period in the beginning, I also played World of Warcraft part time (which had been a dream for some time – hardcore raiding:). I lived very ascetic and relatively isolated in

this period. These three years would also contribute to detach myself from my "old life". It's a process I used in order to isolate myself from most of my network, in preparation for the coming operation. I feel that this period was needed in order to completely "detach myself from "the game", my "former shallow consumerist lifestyle " in order to ensure full focus on the matters at hand.

Comment: Normally I find it quite pathetic to brag about how much one has earned. The only reason I mentioned it is because the cultural Marxist/ multiculturalist government will likely try to attempt to "assassinate my character" by labelling me as an "insane, inbred, pedophile Nazi loser".

I guess it should also be noted that I did in fact lose 2 million NOK on stock speculation during the period 2005-2008 leaving me with approximately 2 million (half a million went to tax). Most of my funds were channelled through the company; Brentwood Solutions Ltd (and four other offshore accounts) which again channelled the funds to my Norwegian corporation; E-Commerce Group AS and to anonymous debit cards. Despite the fact that I used an offshore company/accounts. In retrospect I see that I made certain mistakes which has pressured my budget. I had approximately one million NOK (170 000 Euro) to spend on both writing the book and finance the operation. I spent more funds during the creation of the compendium leaving me with approximately 40 000 Euro plus credit for the operation.

Q: Why did you choose an allegiance to a group with Christian values and pan-European goals instead of a purely national/regional group?

A: Many have asked this question. My choice has nothing to do with the fact that I am not proud of my own traditions and heritage. My choice was based purely pragmatism. All Europeans are in this boat together so we must choose a more moderate platform that can appeal to a great number of Europeans – preferably up to 50% (realistically up to 35%). Choosing a local/national group would be counterproductive as all the groups I am familiar with are Odinist orientated and not Christian identity groups. It is essential that we choose a banner that has the potential to appeal towards central and southern Europeans as well. I understand that many nationalists oppose Christianity and do not wish to fight under the banner of a cross. Furthermore, I understand that many nationalists only care for their own nation and culture. However, all Western Europeans are in the same situation, facing the same problems so it would be illogical not to cooperate and focus on pan-European organizations. Pooling resources and especially knowledge is essential. Obviously, this cannot be achieved if you require that your potential members follow un-appealing principles and codes such as that of the national anarchists (at least many of them). A hateful ideology (white supremacist), death metal, Odinism, conspiracy theories does NOT have mass appeal. Some of the local nationalist factions have very controversial views and lifestyles that do not appeal to a broad specter of people. This is in a way understandable as it can be viewed as indirect cultural defensive mechanisms as a result of decades of persecution from local authorities. Yet, so called national anarchists will never be potent enough unless they pool their knowledge base with pan-European organisations. Mass appeal should be the most essential factor in this strategy. Obviously, the PCCTS, Knights Templar does not have mass appeal as we are a relatively cynical/cruel/goal oriented armed resistance group. However, our primary foundational principles (a majority of them) still have mass appeal and are supported by as many as 50-60% of all Europeans. The reason for this is due to the fact that we oppose ALL hate ideologies and we consider it illogical to fight hate with hate. Of course, this does not mean that we will use less brutal methods in our operations. It only means that our foundational ideological principles will have mass appeal to a majority of Europeans.

In comparison, the foundational principles of National Socialism or white supremacy groups in general does not have mass appeal and is supported by less than 10%, in many countries less than 5%.

And yes, we are aware that many NS will view us as sellouts and even traitors. Many believe that we are race traitors for offering any non-Muslim minority group the opportunity to fight with us and for flagging support to Zionism (Israeli nationalism) in our foundational principles. To some national socialists, this is high treason and can never be accepted. According to these hardcore national socialists we are just as bad as the Marxists.

Needless to say, at the end of the day, we have the sympathy of the European peoples, while they have considerably less support.

Q: I guess you wanted to tell your friends about this. Has it been hard to live a "double life", hiding your true political conservative revolutionary convictions?

A: At first it was extremely hard to avoid the temptation to tell your closest friends. I decided however to withhold all relevant information from them and everyone, not because I didn't trust them, but rather because I wanted to avoid incriminating them. Revealing sensitive information to any of them would put them in a difficult spot, because they would be required by law to report this info to the authorities. It would also pose a serious threat to me if they decided to tell anyone. Adding any cell commanders on MSN or other online networks would be completely idiotic and reckless and would violate my oath. As such, I therefore only corresponded with moderate people who had no clue whatsoever about my clandestine activities. After all, a Justiciar Knight is not an ideologically insecure individual. A Justiciar Knight does not rely on constant babysitting or "patting on the back". He is self driven and ideologically confident with proven daily rituals/meditation which keeps him going.

A couple of my friends have their suspicions though. However, I have managed to channel these suspicions far away from relating to my political convictions. Instead they suspect that I am playing WoW (and trying to hide it) and a couple of them believe that I have chosen semi-isolation because of some alleged homosexual relationship which they suspect I am trying to hide, LOL. Quite hilarious, as I am 100% hetero, but they may continue to believe what they want as it prevents them from asking more questions;)) My goal is obviously to prevent my closest network from asking specific questions, and it has worked perfectly so far.

Q: What motivates you? How have you managed to stay focused and motivated for more than 8 years? Is it bitterness and hate towards the so called "cultural Marxist/multiculturalist elites" or perhaps towards Islam?

A: No, not at all. In fact, if they (the cultural Marxists) against all odds renounced multiculturalism today, halted all Muslim immigration and started deportation of all Muslims I would forgive them for their past crimes, and I think most Europeans would as well, despite the fact that more than 15 000 Europeans have died and 500 000 have been raped and/or ravaged physically or mentally due to multiculturalism. If they refuse to surrender before 2020 it will be no turning back. We will eventually annihilate every single one of them. They should know this so I hope they surrender before the deadline.

If they continue to defy the will of Europeans for decades to come and force Europe to the brink of catastrophe, they will be shown no mercy. It will be an extremely bloody reckoning and thousands of them will most likely be executed.

Secondly, I don't hate Muslims at all. I acknowledge that there are magnificent Muslim individuals in Europe. In fact, I have had several Muslim friends over the years, some of which I still respect. This does not mean however that I will accept an Islamic presence in Europe. Muslim individuals who do not assimilate 100% within 2020 will be deported as soon as we manage to seize power.

Although I do admit that I am disgusted by the current development, I would rather say I'm driven by my love for Europe, European culture and all Europeans. This does not mean that I oppose diversity. But appreciating diversity does not mean that you support genocide of your own culture and people by accepting for example Islamic Demographic Warfare.

Q: How would you view your own current political standpoints 15 years ago?

A: I would most likely think I was a complete nut job due to the fact that I was ignorant about most issues then. But if you actually take the time to study the non-PC documentation available you cannot avoid making many of the same conclusions I have made today.

Fighting for your people's survival, when threatened, is the most logical thing to do to. Defending your people and culture from genocide is the most basic and recognised human right and one of few causes actually worth dying for. I do not regret any of my actions or major life choices. In fact, I would do it all again, without any hesitation, if I was given the chance.

Q: You know that a large majority of people will end up viewing you as a complete nut right, despite your own and others efforts to justify violence?

A: I am fully aware that the media will attempt to label me as a nut. This is the most common strategy of combating political dissidents. I know that the cultural Marxists and the full force of the European multiculturalist mainstream media will do everything within their power to portray people like me as nothing more than delusional nut jobs. After all it's their job to protect their interests. And they will succeed to a certain degree (we are currently too disorganised to counter their powerful propaganda machinery). I am fully aware that our current views are considered extreme. However, more spectacular operations will burden them and force public discussion. It will be increasingly harder for them to manipulate and distort the truth, or to prevent people from knowing what is going on. We are using brutal means because we have tried absolutely everything else. Within the boundaries of the EUSSR totalitarian system, we are left no choice.

With time (in phase 2 when the Muslims have reached 20-50%) more and more people will dig deeper into our material and understand that we are right.

Q: But doesn't it worry you that 95% of all Europeans will openly detest you and call you a murderer and a terrorist?

A: It's human nature to be selfish, to seek admiration, love and affection. This is why very few people will have the self insight, the ideological and moral confidence and strength to act selflessly on behalf of their own countrymen on their own initiative without a solid hierarchical organisation or country supporting and encouraging them. We have taken these thankless tasks upon ourselves because we possess these traits; the self insight, the ideological and moral confidence and strength and we are willing to sacrifice our lives for our brothers and sisters, even though they will openly detest us. It can be illustrated like a parent spanking their ignorant child. The child will hate their parents there and then but in time they will understand that their only intention is to protect them. In phase 2 and 3, many of these brothers and sisters will hold our banner and chant our hymns because they finally understand.

Q: How do you manage to motivate yourself considering the fact that you are planning a large operation alone, with no one to confide in?

A: It has been a long term process since I first decided I wanted to contribute. But it's not like I have been isolated for years. I have almost lived a normal life up until now. I still have a close relationship with my friends and family, just not as tight as it used to be. As for my current situation, I have been working on this book now for almost two years. It's essential that you reward yourself and enjoy life in this period. You can do things you normally wouldn't have done. You can basically live a normal life if you chose to; you just have to be extra careful. I have been practising certain rituals and meditation to strengthen my beliefs and convictions. For me, the most common ritual is taking a long walk listening to my favourite music on my Ipod. I just love vocal Elektronika, very powerful. This is done while brainstorming for new angles I might have missed and mentally simulating every detail of the operation. Do whatever works for you. The most important thing is being ready when the day comes, to not hesitate. Overcoming your fear is the most difficult task. It's essential to prepare yourself mentally for this.

Q: Do you oppose all aspects of multiculturalism?

A: No, I don't. I support the continued consolidation of non-Muslim Europe and an unconditional support to all Christian countries and societies (Israel included), in addition to continuing our good relationships with all Hindu and Buddhist countries.

As such, I don't support the deportation of non-Muslims from Europe as long as they are fully assimilated (I'm a supporter of many of the Japanese/Taiwan/South Korean policies/principles). However, we should take a break from mass immigration in general (as of 2008 numbers). Any future immigration needs to be strictly controlled and exclusively non-Muslim. Emphasis should be on individuals who can greatly benefit Europe in some way. This immigration break should be used to demonstrate clearly that Europe will no longer serve as the dumping ground for excess population growth in other countries. We have cultures that we'd like to preserve, as well, and cannot and should not be expected to accept unlimited number of migrants from other countries.

The Islamic world on the other hand should be completely isolated and Islam reclassified and banned as a fascist/imperialistic and genocidal political ideology.

Q: What great nationalist statesmen inspire you?

A: Winston Churchill, Otto von Bismarck

However, our role models MUST be the great nationalist struggles of the past, because politics is nothing at all but the historical process at work in the present. So we need to study the Wind of Change that blew through Africa in the 1950s, now that we too are living under anti-European discrimination in the EU Colonial Empires (EUSSR). Study Mao Tse-Dong (The Great Helmsman), once a role model for the Left, now a possible Rightist role model: leader of China's National Revival. Was he ever a Communist at all?

Study Otto von Bismarck, not Adolf (the former was precursor of the modern Right, the latter precursor of the contemporary left). Study the Italian Risorgimento of the 19th century, which was a vast movement of National Revival (not a conspiracy by small elites, as the textbooks say) and an Alliance between the aristocratic Right (Count Cavour[1] and King Victor Emmanuel[2]) and the Revolutionary Left (Garibaldi[3]). And look at Ataturk's revival of Turkey after the collapse of the Ottoman Empire (led by the military). Ireland and Israel have had Nationalist struggles in the last century we can very usefully learn from. In each case, a handful of visionaries raised whole nations, after centuries (even millennia) of oppression. Theodor Herzl, founder of Zionism, was ridiculed and died after only 8 years in politics, convinced of his own failure.

Remember the spider in Robert the Bruce's cave: each time its web was blown away, it wove again and Bruce was inspired to re-weave the web of Scots Nationhood: still going strong 780 years later.

We must study Athelstan, Alfred and Edgar of Wessex, who did not give up, just because everyone told him that England was finished. Neither Boudicca, nor Caractacus should be our heroes, because they both failed quickly and miserably. It was Cassivellaunus who defeated Caesar two years running and Calgacus who saved Albion (North Britain) from the Romans. For 465 years the Romans were occupying half of Britain: the brave British patriots never gave up resistance (12 Vietnams laid end to end) and the Romans were eventually driven out.

There are many great historical nationalist statesmen worth studying. Even if the situation looks grim now, it will never be too late. Never surrender!

1. http://en.wikipedia.org/wiki/Count_Cavour
2. http://en.wikipedia.org/wiki/Victor_Emmanuel_II_of_Italy
3. <http://en.wikipedia.org/wiki/Garibaldi>

Q: What is your view on the duties of non-Muslim minorities in Western Europe?

A: The European Jewish, Buddhist and Hindu community has a right but also a duty to join in the fight against the Islamisation of Europe. I welcome and encourage all non-Muslim minorities to join us in this fight.

The indigenous peoples of Europe will succeed to seize power in Western Europe by 2080 due to the ongoing Islamisation, with or without the support of minority communities. I sincerely hope that the majority of non-Muslim minorities will support the "new right" and by doing so show where their loyalty is. You cannot be neutral in this struggle. You are either a supporter of multiculturalism or you support the struggle against the Islamisation of Europe. If the non-Muslim minorities aren't proportionally represented in our struggle they risk losing credibility as reliant allies which can have unknown consequences under certain circumstances.

Q: Can the mainstream media prevent a continued right wing consolidation?

A: They will continue with their old strategies, labelling everyone who opposes the Islamisation of Europe/European multiculturalism as Nazi's and racists.

Fjordman illustrates it well:

"The thinking seems to be that if you scratch any random European there is usually a Nazi lurking underneath, just waiting to get out. There are only two possible versions of Europeans: the surrender-monkeys and the Nazis. If we are not the former, then it follows by logic that we have to be the latter. This attitude betrays an all-pervasive hatred that demonises absolutely anything Europeans do to protect their dignity and heritage. "

This will work for them as long as the government manages to keep unemployment low and maintain the current level of welfare. Unfortunately for them, it is just a matter of time before the Western European economies completely collapses. I know for a fact that it will happen within 20-70 years.

Q: Name seven traits you consider most important as a cell operative:

A: Ideological confidence, patience, the ability to motivate yourself, keeping sensitive information to yourself, resourcefulness, being pragmatical and insightfulness in your own psyche.

Q: What should be our civilisational objectives, how do you envision a perfect Europe?

A: "Logic" and rationalist thought (a certain degree of national Darwinism) should be the fundament of our societies. I support the propagation of collective rational thought but not necessarily on a personal level. Because, if a woman was purely rational, she would choose to not have babies at all, and instead live her life in a purely egotistical manner. We should strive to become a civilisation where the individual's acquisition of wealth would no longer be the driving force in our lives. Instead, we would focus much more of our resources to better ourselves and our communities by channelling at least 20% of the budget to research, science and technology. Good welfare arrangements combined with embracing the ideal of perfection requires a solid cooperation/symbiosis (social cohesion) and is only possible in a monoculture where everyone has complete confidence to everyone. The problem with today's society is that it has become fanatically egalitarian. In our quest to appease everyone (except the traditional cultural group) we have created a habit and tradition of cheering mediocrity and weakness. Your position in the "victim hierarchy" decides your position in society. It's an illogical and self defeating development.

As for the future servant class; I have described this in another chapter (insourcing of labour for 6 month contracts offering them less than 20% of Western salaries). This servant class model ensures that all European citizens is treated with decency and offered every possibility to advance. However, it will be almost impossible to gain citizenship for non-European immigrants.

Your personal life

Q: Can you describe your childhood?

A: My father, Jens Breivik, had three children from a former marriage; Erik, Jan and Nina while my mother, Wenche Behring had a daughter from a past relationship; Elisabeth. My parents divorced when I was 1 years old. Me, my sister and my parents; Wenche (a nurse), Jens (siviløkonom) was living in London at the time as he worked as a diplomat for the Royal Norwegian Embassy in London (and later Paris). Jens stayed in London and later married Tove Øvermo who also worked in the Royal Norwegian Embassy. Wenche, Elisabeth and myself moved back to Oslo and settled on Skøyen, Oslo West. My mother, Wenche met my stepfather, Tore, who was a captain in the Norwegian Army. My stepmother, Tove, later became a Vice Consul and my father was a Commercial Councillor for the Royal Norwegian Ministry of Foreign Affairs abroad, first in London and then in Paris.

My parents were not politically active but supported the policies of the Norwegian Labour Party which was common for most individuals working in the public sector. My stepfather, Tore, was a moderately right wing while my stepmother, Tove, was a moderate cultural Marxist and feminist. My mom, Wenche, was an apolitical moderate feminist.

Jens and Tove wanted child custody and wanted to raise me in Paris. They lost the child custody case in an Oslo court a few years later.

I visited Jens and Tove on a regular basis in Paris and at our summer house/cottage in Normandie, FR and Notodden, NO until they divorced when I was 12. I had a good relationship with him and his new wife at the time, Tove Øvermo, until I was 15. I still have contact with Tove until this day but have not spoken to my father since he isolated himself when I was 15 (he wasn't very happy about my graffiti phase from 13-16:). He has four children but has cut contact with all of them so it is pretty clear whose fault that was. I don't carry any grudge but a couple of my half siblings do. The thing is that he is just not very good with people. I tried contacting him five years ago but he said he was not mentally prepared for a reunion due to various factors, his poor health being one.

Tore, my stepfather, worked as a major in the Norwegian military and is now retired. I still have contact with him although now he spends most his time (retirement) with prostitutes in Thailand. He is a very primitive sexual beast, but at the same time a very likable and good guy. I can't say I approve of that lifestyle although I can't really blame him when I see today's Marxist social structures. So all in all, I consider myself privileged and I feel I have had a privileged upbringing with responsible and intelligent people around me. I do not approve of the super-liberal, matriarchal upbringing though as it completely lacked discipline and has contributed to feminise me to a certain degree.

I haven't really had any negative experiences in my childhood in any way. I had way too much freedom though if anything. I used to visit my father annually until I was 16. So guess I came from a typical Norwegian middle class family. We never had any economical troubles.

I have a good relationship with my four half siblings, Nina, Erik and Jan but especially Elisabeth. We get together a couple of times a year. Elisabeth moved to Los Angeles 14 years ago and is now settled down with two kids, Kaia and Tyler. I talk to her once a month. Both she and her husband are moderately conservative but generally live their life as apolitical career cynicists. Two of my other half siblings are conservative, one moderately conservative. They are generally apolitical but I am very happy for the fact that a majority of my extended family are intelligent and relatively anti-Marxist. Erik's girlfriend though is a super-feminist and quite radical Marxist. We have had some very interesting conversations where she has almost physically strangled me:D

I went to the following institutions;

- Vigelandsparken kindergarden
- Smestad primary school
- Ris secondary School
- Hartvig Nissen High School
- Oslo Handelsgym High School

Q: How would you describe yourself as a person?

A: I consider myself to be a laid back type and quite tolerant on most issues.

Due to the fact that I have been exposed to decades of multicultural indoctrination I feel a need to emphasise that I am not in fact a racist and never have been.

My Godmother (being baptised when I was 15 years old), Amelia Jimenez and her husband, came to Norway as political refugees from Chile. In retrospect I understood that they were Marxist political activists but I didn't comprehend these issues at the time. Our two families have been very close throughout my childhood and youth. I've had several non-Norwegian and Muslim friends. I spent a lot of time with Onor, a Turk, Jonathan an Eritrean, Raol and Natalie from Chile, Arsalan Ahmad Sohail, Faizal and Wazim from Pakistan. I've had dozens of non-Norwegian friends during my younger years, Bashir from Somalia, Pablo from Chile, Odd Erling – adopted from Columbia, Lene – adopted from India have been good friends and a couple of them still are today.

Q: Why did you have so many non-ethnic Norwegian friends?

A: I remember that pride and certain moral codexes/principles have always been very important to me. As a result, individuals with these traits appealed to me. If I ever got in to trouble I expected my friends to back me up 100% without submitting or running away, as I would for them. Very few ethnic Norwegians shared these principles. They would either "sissy out", allow themselves to be subdued or run away when facing a threat. This was an unacceptable scenario for me. If anyone threatened me or my friends, regardless if we were at a disadvantage, we would rather face our foes than to submit and lose face. If we did get beaten we would just rally our allies and get back at them later. Pride was more important than anything. This type of attitude gave us a big advantage. No one would risk messing with us, even the kids 2 years older.

The majority of people who shared these principles of pride was the Muslim youths and the occasional skinhead. However, even back then, the Muslims outnumbered the skinheads 20 to 1. Being a skinhead was never an option for me. Their dress codes and taste of music was unappealing and I thought they were too extreme. I hated rock then and I still do.

Q: Violent Muslim gangs in European cities are not exactly a new phenomenon. We hear about indigenous European youths getting harassed, beaten, raped and robbed quite often. Tell us about your experiences during your "vulnerable years"(14-18) growing up in the urban multicultural streets of Oslo.

A: Since I was 12 years old I was into the hip-hop movement. For several years I was one of the most notable "hip-hop'ers" from Oslo's West side. It was a lot easier to "gain respect and credibility" in Oslo West because of the demographic factors. Oslo West was the "privileged and predominantly native side" of Oslo with very few immigrants in contrast to the East side which was less peaceful. Graffiti and break dance was an important part of our life at that point. Around 1993 and 1994, at 15, I was the most active tagger (graffiti artist) in Oslo as several people in the old school hip-hop community can attest to. Our standard "graffiti raid" consisted of going out at night, in groups of 2-3, with our backpacks full of spray cans. We took our bikes and "bombed" city blocks with our tags, "pieces" and crew name all over Oslo. "<Morg>, Wick and Spok" was everywhere. The fact that hundreds of kids our own age all over Oslo West and even Oslo East looked up to us was one of the driving forces I guess. At that time it felt very rewarding to us. If you wanted girls and respect then it was all about the hip hop community at that time. The more reckless you were the more respect and admiration you gained.

Everyone didn't approve though. The government had a no-tolerance attitude towards graffiti and removed 90% of our "creations" within 48 hours. I remember it was an unofficial war between the hip-hop community and the government and Oslo Sporveier, our public subway company. Two guys I knew, Stian and Charles, a few years older than me were arrested, received gigantic fines and was put in jail. The hip-hop movement in Norway had its climax around that time, in 92-93. The community was very "politically correct" in nature with close ties to the extreme left groups like SOS Rasisme (an extreme left wing movement) and Blitz (a violent left wing extremist movement). I remember we used to hang out with various people and groups all over Oslo. There were plenty of hip-hop concerts at Blitz and it was at this time that the communist hip-hop group; "Gatas Parlament" was created. It's hard to imagine but during this time everyone was into graffiti and hip-hop.

I remember my friends at that time; Jon Trygve, Richard and Arsalan, we did everything together. In fact, it was my Muslim friend who sparked my interest for Christianity, Islam and politics in general. We had countless discussions relating to culture, geo-politics etc. At the time, I couldn't understand why he loathed Norway and my culture so much. He simply despised it and I was unable to truly comprehend why at the time. The school curriculum was a joke, as all we learned about Islam was that it was the religion of peace, often spread by merchants. However, this was one of the primary reasons why I started to appreciate my own religion and culture to a larger degree and why I wanted to seek alternative sources which could explain more. I remember during the first Gulf war, he used to cheer loudly whenever a scud missile was launched against the Americans. I was completely ignorant at the time and apolitical but his total lack of respect for my culture (and Western culture in general) actually sparked my interest and passion for it. Thanks to him I gradually developed a passion for my own cultural identity. This was apparently very annoying for him, as I was unwilling to convert to Islam. Instead, I suggested he convert to Christianity and embrace our norms and culture.

We used to hang out with GSV crew, or B-Gjengen as they are popularly called today, a Muslim Pakistani gang, quite violent even back then. "Gang alliances" was a part of our everyday life at that point and assured that you avoided threats and harassment. Alliances with the right people guaranteed safe passage everywhere without the risk of being subdued and robbed (Jizya), beaten or harassed. We had close ties with B-Gjengen (B-Gang) and A-Gjengen (A-Gang), both Muslim Pakistani gangs through my best friend Arsalan who was also a Pakistani. Even at that time, the Muslim gangs were very

dominating in Oslo East and in inner city Oslo. They even arranged "raids" in Oslo West occasionally, subduing the native youths (kuffars) and collecting Jizya from them (in the form of cell phones, cash, sunglasses etc.). I remember they systematically harassed, robbed and beat ethnic Norwegian youngsters who were unfortunate enough to not have the right affiliations. Muslim youths called the ethnic Norwegians "poteter" (potatoes, a derogatory term used by Muslims to describe ethnic Norwegians). These people occasionally raped the so called "potato whores". In Oslo, as an ethnic Norwegian youth aged 14-18 you were restricted if you didn't have affiliations to the Muslim gangs. Your travel was restricted to your own neighbourhoods in Oslo West and certain central points in the city. Unless you had Muslim contacts you could easily be subject to harassment, beatings and robbery. Our alliances with the Muslim gangs were strictly seen as a necessity for us, at least for me. We, however, due to our alliances had the freedom of movement. As a result of our alliances we were allowed to have a relaxing and secure position on the West side of Oslo among our age group. Think of it as being local "warlords" for certain "kuffar areas", which were regulated by the only dominant force, Muslim gangs collaberating with anarcho-Marxist networks.

Many of these groups claim to be tolerant and anti-fascist, but yet, I have never met anyone as hypocritical, racist and fascist as the people whom I used to call friends and allies. The media glorifies them while they wreck havoc across the city, rob and plunder. Yet, any attempts their victims do to consolidate are harshly condemned by all aspects of the cultural establishment as racism and Nazism. I have witnessed the double standards and hypocrisy with my own eyes, it is hard to ignore. I was one of the protected "potatoes", having friends and allies in the Jihadi-racist gangs such as the A and B gang and many other Muslim gangs.

I gradually became appalled by the mentality, actions and hypocrisy of what he calls the "Marxist-Jihadi youth" movement of Oslo disguised under more socially acceptable brands such as: "SOS Rasisme", "Youth against Racism", Blitz who literally hijacked segments of the hiphop movement and used it as a front for recruitment.

I have personally heard of and witnessed hundreds of Jihadi-racist attacks, more than 90% of them aimed at helpless Norwegian youth (who themselves are brought up to be "suicidally" tolerant and therefore are completely unprepared mentally for attacks such as these). This happens while the Marxist networks in the hiphop movement and the cultural establishment silently and indirectly condone it. There is absolutely no political will to ensure that justice is served on behalf of these victims. I remember at one point thinking; "This system makes me sick".

Q: Did you ever contribute to the Muslim atrocities against the indigenous during this period?

A: I saw the "security alliances" in a strictly pragmatcal way. They were a necessary evil at that time. During these years I heard of hundreds of cases where ethnic Norwegians were harassed, robbed and beaten by Muslim gangs. This type of behaviour was in fact acts of racism or even based on religious motives (Jihadi behaviour), although I failed to see that connection then due to lack of knowledge about Islam; I saw the practical manifestations and I didn't like it at all. The only thing you could do was to take the necessary precautions, create alliances or be subdued by them. If you made any attempt to create a "Norwegian gang" you would be instantly labelled as a Nazi and face the wrath of everyone, in addition to the Muslim gangs. They, however, were allowed to do anything while being indirectly cheered by society. So in other words, we were trapped between the "wood and the bark". This is still the case in all Western European major cities. They are allowed to consolidate, while we are not.

I never took part in any of their activities and I never participated in any Blitz demonstrations either. To me, that would have been too hypocritical seeing that the Muslim gangs and their "racist/Jihadi" behaviour was tolerated by the police, media and the violent left wing extremists (ANTIFA) like "Blitz" and "SOS Rasisme". I left the hip-hop community and the gangs when I was 16 and never looked back.

Q: Tell me about your school performance?

A: Despite the above, me, Jon Trygve, Richard and Arsalan were doing well at school up until then. I noticed that most of the active people within the hip-hop movement were academically weak and I didn't want to end up like them. Hasjis was now a very natural thing in this community but I chose to stay away from it. I was 16 years old at this time. My decision to focus more on school and my principle to never try drugs was the beginning of the end for my friendship with Jon Trygve, Richard, Arsalan and my "departure" from the hip-hop community in Oslo. One day there was an incident and my close friendship with them ended. They chose to continue the same path without me, increasingly becoming more active in criminal and violent activities and more into drugs.

Q: What was your relationship with the so called neo-Nazis, skinheads and right wing people at that time?

A: Being so called neo-Nazi, skinhead or right wing in general meant that you were into Metal rock. I hated Metal rock and I hate it even today. I knew a few guys from my age group growing up, Edward, Nils and 5 others. They attended the same school as us and a couple of them were uniformed skinheads at this time. I know they never really believed in the National Socialist ideology, they were more anti-immigrant and wanted to state a point rather than anything else. I had known them vaguely for several years but I didn't have a lot in common with them. Most people at my school had a good relationship with them, myself included. They didn't cause any problems, weren't violent and respected the rules, unlike us. The exception was Arsalan who had a clash with Edward at one time. Arsalan was one of the very few Pakistanis at my school.

As for the right wing community at that time, it was simple. They loved metal and we loved hip-hop. Being into the very small right wing community or the larger mainstream rock community meant Goth girls and hard rock. I disliked both. The big irony was that they; Edward and his friends, were a lot more "normal" than us during this period. They were peaceful while we were violent. They followed the law and rules while we broke the law and ignored the rules again and again. At the same time, the hip-hop community was cheered by the media, praised as the pinnacle of tolerance among the new generation, while THEY were condemned for their political views, systematically harassed and beaten by non-white gangs, extremist Marxist gangs (Blitz etc) and the police. It's quite ironic and shameful.

The irony and hypocrisy becomes absolute considering the fact that a large core of the hip-hop movement through rappers like Tupac, Nas, Lauryn Hill or other artists like Bob Marley etc. are in essence quite racist and anti-European in nature. Yet, millions of ethnic European youths love their music. We obviously didn't create these rules. We just chose to go with the flow at that time as most people did and still do today. The deeper meaning of their texts didn't bother us much.

The lefties/hip-hop movement, including the Pakistani gangs and other minority gangs – in cooperation with SOS Rasisme and Blitz were notoriously and systematically violent, even racist and discriminating towards ethnic Norwegian youths and anti-immigrant

individuals. They abused drugs and many were involved in criminal activity, yet cheered by the media because of their "tolerance" and so called "anti-racist" attitude.

Intolerance, racism and acts of Jihad were tolerated against native Norwegians as the perpetrators were categorised as victims by default (as minorities). They were seldom punished properly.

I remember the occasional crackdowns on right wing youth movements during this period. The police raided them several times, called their parents and invested a lot of resources on squashing the right wing movement all over Norway. Blitz and other extreme left, SOS Rasisme and the hip-hop community on the other hand received public funding. The Blitz house, a building they had occupied a few decades earlier, was subsidised and under protection by the government in Oslo and still is even today. They are often referred to as the "storm troops" of the Norwegian Labour Party. The government subsidy of the apartment block where Blitz resides equates to more than 3 million USD per year alone. The violent Marxist group "SOS Rasisme" receives 2-3 million NOK annually. It's disgusting.

Anyway, at this time I was 16 years old. I had been somewhat political aware for 2-3 years already and I had grown to be a passive "anti-racist" but against non-Western immigration. However, the fact that I opposed non-Western immigration automatically meant that I had become a "racist" according to the definitions of the "politically correct elites" and the leftists. I therefore kept this to myself.

Parting with old principles, new alliances

When my friendship with Arsalan, Jon Trygve and Richard ended, I pursued and further developed a friendship with my old friends Marius and Christen who lived in my neighbourhood. They were to become my new core of close friends. I also befriended myself with a predominantly "ethnic Norwegian" gang from Tåsen in Oslo. Some of them were active on the graffiti front from earlier and that's how I first met them. This new "alliance" was also quite useful to create "security" for the rest of our "vulnerable years".

I remember once when a gang of Moroccans came to Tåsen (a predominantly ethnic Norwegian area in the northern part of Oslo) and tried to rob a couple of ethnic local youths. The Moroccan gang was well known for being notoriously violent, having robbed and beaten hundreds of ethnic Norwegian youths all over Oslo. We were at a party at that time. As we heard of the incident we rallied around 20 guys and found the Moroccans near the subway station. We made a deal with them telling them to never come back for their so called "Jizya raids". They never showed their face on Tåsen again as far as I know. Muslim gangs respect people who respect themselves which is why they have no respect for people who are not prepared to use violence.

As time went by and we started high school at around 17-18, the situation changed drastically. The need for security decreased considerably during this period (mostly because we kept to certain areas). Individuals affiliated with the Muslim gangs were academically weak and were basically "left behind" or they selected practical professional studies like mechanics courses or carpentry. Very few of them had the grades to enter any quality schools in Oslo West. In this regard the need for security vanished and a type of academic segregation occurred.

East – West divide

In retrospect, it's easy to understand why ethnic Norwegians are fleeing Muslim areas. No one likes to be "subdued" – live in fear, being harassed, beaten and robbed. The

Muslim ghettofication process has been ongoing the last 30 years and it will continue until there is close to 100% concentrated Muslim areas in Oslo (the same tendency we see in Paris, London and other large Western European cities). When I was around 15-16 there was only 1 or 2 schools where the majority was non-ethnic Norwegian. Now, 15 years later there are around 50 schools on the East side of Oslo where the majority of students are non-natives and primarily Muslim.

It's a miracle how I managed to successfully pass through my "vulnerable years" without being subdued by Muslim gangs even once. I know that there are hundreds, even thousands of incidents per year (I have personally witnessed around 50 incidents) where ethnic Norwegian youths ranging 14-18 are harassed, beaten, raped and robbed and it's getting worse every year. I really don't envy the new generations and the challenges that are facing them regarding Muslim subjugation.

If ethnic Norwegian youth or other non-Muslims attempt to create gangs of their own (for protection purposes), they are immediately labelled as racists and Nazis. At the same time numerous Muslim gangs commit thousands of racist acts each year against ethnic Norwegians and it's either hushed down, ignored and therefore tolerated.

The last 20 years more than 100-200 ethnic Norwegians have been killed by Muslims, a majority by racist or religious/Jihadi motives. Yet, the press are systematically ignoring this and they attempt to link every single incident to non-relevant motives like for example the influence of narcotics/alcohol or blame the accused Muslim of being "psychologically unstable". Norwegian media refuse to face the truth of the matter which is that most of these incidents are religiously and/or racially motivated.

The only incident I can remember where a racist native have killed a non white was the murder of Benjamin Hermansen, who at the age of 15 years, was murdered in Holmlia, in Oslo, Norway. The death was racially motivated. The murder mobilised large parts of the Norwegian population. Throughout the entire country, marches were organised to protest against the murder, with nearly 40,000 people participating in Oslo. The Benjamin Prize was established as a Norwegian prize to counter racism in 2002. The prize is awarded to a school that actively works against racism and discrimination.

Could this have happened if the victim was native and the aggressors were Muslims? No, not in a million years! Our politicians are terrified of offending the Muslim community in any way.

Also, more than 80% of our parliamentarians have never experienced Muslim gangs with all its ugly manifestations. A great majority of them haven't even been raised in Oslo or any large European city with small but dominant Muslim minorities. They usually move to Oslo as adults and settle in the non-Muslim areas of the city. Our parliamentarians and media are completely unplugged from reality, they don't know what's going on or they don't want to know. On the other hand, the new generations that have experienced this development the last two decades are all urban, young individuals under 30-35 years. I'm quite sure the majority of them now vote the Progress Party, Norway's only anti-immigration party. Several statistics indicate that indigenous Europeans in Muslim dominated areas oppose mass Muslim immigration.

Paying the price for multiculturalism – My personal experiences – 8 unprovoked assaults and multiple threats and attempted robberies by Muslims in Oslo, Norway

Oslo used to be a peaceful city. Thanks to the Norwegian cultural Marxist/multiculturalist regime they have transformed my beloved city into a broken city, a bunkered society, a multiculturalist shit hole where no one is safe anymore, to use blunt language.

The following is an overview of experiences I have had during my youth in Oslo. I've "only" experienced 8 assaults, attempted robberies and multiple threats. I've never actually been severely ravaged, robbed or beaten by Muslims (a broken nose is the worst thing that occurred) but I know more than 20 people who have. I know at least 2 girls that have been raped by Muslims and I am familiar with two more cases in my broader network (1 gang rape). One girl though was cut badly in the face by Muslims. As such, I guess I should feel lucky or privileged. I live in Oslo West far away from the nearest Muslim enclave as more or less all of them are localised on Oslo East. There is little difference in their level of aggressiveness among the various Muslim groups, regardless if they are from Pakistan, Iraq, Turkey, Morocco or Albania. I do, however, acknowledge that only a small proportion of Muslims are so called "Jihadi youth" but this argument is defeated by the mere fact that the same thing can be said about the Taliban in Pakistan. The Taliban only makes out 1-3% of the population, yet they have caused a civil war. It is apparent that dhimmitude and a bunkered society is the new reality as long as Islam (and individual Muslims) are allowed to move freely in our societies. Our major cities will remain "broken" as long as multiculturalism is allowed to be the prevalent ideology, as long as cultural Marxists are allowed to set the agenda.

15 years – (when I was 15, time: 20.00) - **Attempted robbery** by Pakistani gang outside a concert. Luckily for me I knew a hardcore Pakistani thug (from the Pakistani A gang in Oslo) who told them I was under his protection. There have been approximately 10 other threatening situations where me and my friends were unharmed.

16 years – (Time: 16.30) - **Assault** – an older and much stronger/bigger Pakistani hit me without provocation in front of Majorstuenhuset. Apparently, he wanted to subdue me in front of my "friend" Arsalan who apparently had told him to do it. This concluded, for my part, my friendship with him and I re-connected with my old friends after this incident. However, this restricted my territorial freedoms, as I was no longer under the protection of the Oslo Ummah. From now on we would have to arm ourselves whenever we went to parties in case Muslim gangs showed up and we usually chose to stay in our neighbourhoods' on Oslo West.

17 years – (Time: 01.30) - **Attempted assault and robbery** - Us 2, them 3: 2 Pakistanis and 1 wannabe-Pakistani. We were actually heading home after being on the same party together. The wannabe-Pakistani suddenly turned on me without provocation and rallied the other two. Me and my friend had to run as we were unarmed at the time.

17 years – (Time: 23.30) - **Assault and attempted robbery** - Us 10, them 12 Moroccans. Location Tåsen, Oslo.

They were robbing (collecting Jizya) and beating local kafr/Norwegian kids at Tåsen center, they had done this on numerous occasions. They didn't live there but travelled to Tåsen from a Muslim enclave on Oslo East. I was at a party on Tåsen when we heard they had just beaten one of my friends younger brothers. We went there to chase them away from the neighbourhood. They had weapons, we had weapons. I was hit with a billiard pool in the head. Result of the fight: we made a deal with them, they promised they would never return and harass the Tåsen youngsters again.

18 years – (Time: 01.00) - **Assault** by Pakistani gang outside a club. A friend of mine was attacked without provocation by a gang of 6. I told him to run as they outnumbered us. Result: broken nose.

19 years – (Time: 02.00) - **Attempted robbery** by two Pakistanis at a bar. I had my friends nearby so I told them to fuck off or I would bash their faces in (an effective psychological deterrent, most Pakistani thugs have a Neanderthal mentality so to show weakness will only invite to abuse etc;p). Pakistanis are usually a lot more cowardly than Northern African Muslims though (I wouldn't have tried that strategy on Moroccans').

20 years – (Time: 22.00) - **Threats and attempted assault** - Us 3, them 4. Me and two friends were about to order at Burger King when a Norwegian girl crossed the food queue. As she went by she pushed me, saying; "MOVE, YOU PIECE OF SHIT!. Needless to say, I was very surprised and I managed to stutter the words; "suck my dick, bitch", while perplexed. She ran over to her friends, 4 Moroccans' sitting at a corner and just waiting to pick a fight... They approached me (I was alone at the time) and told me they were going to "fuck me up severely" as soon as I left Burger King. I had tear gas on me, as I always have when going out late. However, I decided to go with the "deterrent strategy", so I called my two friends, Erling, a relatively small adopted Columbian, and his friend a relatively big Christian Ugandan. Having established my deterrent, and obviously not interested in fighting these savages (as is my policy with all Muslim bullies under normal circumstances), I went ahead and started negotiating, offering the "Muslim whore" an apology. End result was, we left as a group and had the Muslims follow us until we managed to lose them. The most annoying things about the encounter is that you really can't control when you bump into them again. Luckily, a majority of Muslim savages like them live on the East side of town.

21 years – (Time: 01.30) - **Attempted assault and robbery** - Us 4, them 4. Me and my best friends; Peter, Marius and Martin were out clubbing and drinking. This was actually the first time I smoked (normal cigarettes) and I fainted for a few seconds outside a store not far from the club. This was the first and only time I have fainted in my life btw, lol. Apparently, 4 Albanian Muslims saw this incident and figured I would make an easy target. All 4 of them approached me and tried to rob me. At that time my friends just arrived and they started to threaten them as well as one of them pulled out a knife. Obviously, we didn't want to fight these savages, so we said we would take out some cash for them in an ATM in the nearby Burger King. We called the police as soon as we entered. However, this was Saturday night so we had no luck getting a response. We ordered some food and stayed at Burger King for a little more than an hour, at which point the Muslim savages had left (probably busy robbing other victims).

Dhimmitude in Western European major cities

People reading this might ask if I contributed in any way to the above conflicts. The answer is no (with only one exception, when I replied to the girl). As all my friends can attest to I wouldn't be willing to hurt a fly and I have never used violence against others. Also, me and my friends were quite fit and self confident during this phase because we worked out a lot. This acted as a deterrent so we were rarely targeted by Muslims. If we wanted to we could have harassed and beaten up dozens of Muslim youth. However, as we didn't share their savage mentality, violence was pointless. We therefore avoided confrontations as often as humanly possible. We refused however to allow ourselves to be restricted to our own neighbourhoods/Oslo West (until the age of 18-19 when we started high school) which was a part of the reason why we had to travel through or in the Islamic controlled "no go zones" of Oslo hence the chance of Muslim assault increased significantly. The main problem in European capital cities like Oslo is that the government is forcing Norwegian youth and others to attend the same schools as Muslims. There is no culture for private schools in many European countries. As such, the

worst of Muslims are allowed to harass Norwegian youth (this is especially a problem in the age group 10-18) until we start high school. At that point the worst of Muslims do not have the grades to enter any good high schools so they are left behind or they chose practical study directions. I understand completely why Norwegians are fleeing Oslo East en masse. No one wants to live in dhimmitude. The problem is however not restricted to Oslo East. The multiculturalist government is buying apartments on Oslo West and assigns them to Muslim asylum seekers and other "underprivileged" Muslims and is thus infecting healthy areas with the savagery of Islam.

I represent generation Y, the offspring of the baby boomers/68 generation. I guess in many ways my generation are the first who had to live under dhimmitude/Islamic/multiculturalist tyranny. This applies to a large proportion of youngsters (10-18) living in major cities close to or in large Muslim enclaves/ghettos at least.

In addition to the above, I've been threatened on 10 occasions with beatings etc but it has never materialised due to diplomacy/counter threats. I've had dozens of friends and acquaintances experience the same thing (threats, beatings). I suspect that a couple of girls I know have been raped by Muslims although this is extremely taboo so people rarely hear about it (and they refused to admit). I originally didn't plan to reveal any of these details due to the fact that people might insinuate I had become prejudice in any way. I don't feel anger at all towards Muslims, or so called Jihadi youth, as a result of this. In fact, I completely understand why they act in this manner. It is perfectly normal for many Muslims to behave this way as it is the Islamic way. Anyone with a basic understanding of Islam and Middle Eastern cultures, and who has lived in Muslim communities as a kafr/dhimmi can attest to this. The problem isn't the individuals but the Islamic doctrines and culture. The problem can only be solved if we completely remove those who follow Islam. In order to do this all Muslims must "submit" and convert to Christianity. If they refuse to do this voluntarily prior to Jan. 1st 2020, they will be removed from European soil and deported back to the Islamic world.

I'm glad to see that it is growing up new generations of Europeans (in the thousands) in major cities who have suffered under dhimmitude/Islamic tyranny and absolutely hate the system and the people responsible (category A and B traitors) who has facilitated and continue to facilitate the Muslim colonisation of Europe. It will not be difficult to find recruits for pan-European resistance/liberation movements like the PCCTS, Knights Templar as the current development escalates.

Q: Did your experiences at young age shape your current view on Islam and Muslims in the West?

A: Yes and no. At that time I knew very little about Islam. The official view on Islam, portrayed by our academic institutions teaches us that Islam is a peaceful and tolerant religion. I had no knowledge about the concepts of Jihad, Dhimmitude, Jizya, Ummah, Taqiyya, Quranic abrogation, Wahhabism, Salafism, and Saudi Arabia's role in spreading the latter. However, my friendship with Muslims triggered an interest for Islam and politics in general. This was the deciding factor why I chose to study the topics further.

Q: Can you tell us briefly about your time during high school and up until now?

A: I broke with the hiphop movement and my network when I was 16 and later joined the Progress Party youth movement, a moderate cultural conservative youth movement

of the Progress Party. This became the period where I decided I wanted to dedicate my life to politics in order to contribute to change the system.

I identified myself, during this time, as a cultural conservative, economical liberalist (from age 16 to 21). During this time I studied all the major ideologies in depth, everything from Marxism, socialism, Islam, fascism, nationalism, capitalism etc. I became increasingly interested in the libertarian school of thought (extreme liberalism and laissez faire capitalism) due to, my then capitalistic/self serving mindset". This mindset completely collided with my increasing interest for cultural identity and a more traditionalist conservative school of thought. At this point I had a hard time deciding what would be the driving force in the rest of his life – self interest or nation/cultural identity? Could it be combined? I understood early that libertarianism was not a sustainable political concept. If everyone acted in an egotistical manner in combination with the doctrines of multiculturalism the nation and people would wither and society would eventually fracture and cease to function.

I was politically active within the cultural conservative Progress Party/Progress Party Youth from the age of 16-21(22). I eventually concluded that it would be impossible to change the system democratically and left conventional politics.

I was very ambitious early on. When I started high school I had already decided to choose economics as my main academic direction. I was inclined on pursuing a career within business and finance. After my first year of high school I decided to step up the pace so I completed half of my third year courses during my second year. I was quite happy with my grades and got 6 (A+) on certain subjects. This left me with a lot of spare hours during my last year which was a bit frustrating. There were no high school courses for gifted individuals who wanted to take the courses in two years.

At this point I was already trying to decide which higher education to pursue. The problem was that I wanted "Small Business Administration", which under US standards goes under Bachelor of Business Administration. Unfortunately, no such "entrepreneurial" degree existed in Norway and the only equivalent is "Siviløkonom" (BBA + 1 year). As a result, I decided to pursue and complete my higher education informally, acquiring my personally composed curriculum, consisting of economics, finance, sales and marketing, e-commerce, web site development etc. This way I could compress my studies avoiding subjects that weren't relevant in "entrepreneurial activity". My new curriculum was a hybrid between AIU and BI business courses and I would use the next three years to focus on these studies.

Q: Can you describe your education and CV?

A: I was considering pasting in by complete and updated CV. However, I don't want to make my past network public and I don't think it would be that relevant.

- 6 years Primary School
- 3 years Secondary School
- 2,5 years High School (last 6 months underwent complete curriculum)

An informal education, consisting of the the equivalent of eight university years (or equivalent to two bacheolor degrees and one master degree), consisting of the following:

Approximately 16 320 hours of study (One year at the University = 2040 hours of study per year - 8 hours per day, 5 days per week, 51 weeks per year.) on various fields:

Approximately 8000 of these hours were dedicated to the study of fields relating to Small Business Management, Business, Marketing/Sales, Economical/financial Analysis (including stock/commodity/currency analysis), Business Logistics". The rest was dedicated to Political Science, World History, and Language: English/Norwegian and various other subjects (everything from cryptography to biochemistry).

Not included: daily reading/reviewing/watching:

News papers, Scientific/Cultural/Economical - magazines/papers/articles:
Aprox 10 000 hours +

Not included: 12 years work experience, Project Management, practical work experience, project analysis, stock/commodity analysis/trading.
Aprox 10 000 hours +

Not included: Relevant social experience/interaction related to business/culture/science/economy (3 specific mentors), various forum discussions/exchange of knowledge, travelling to 25 countries + interaction with thousands of experienced professionals or other individuals with vast knowledge on multiple fields.

Personal facts:

Name: Andrew Berwick

Nationality: Norwegian

Born: February 1979

Height: 183 cm

Weight: 80 kg

Ethnicity: Nordic/Norwegian

Address: Oslo ,Norway

Personality: Optimistic, pragmatic, ambitious, creative, hard working

Political view: Cultural conservative, revolutionary conservative, Vienna school of thought, economically liberal

Religion: Christian, Protestant but I support a reformation of Protestantism leading to it being absorbed by Catholicism. The typical "Protestant Labour Church" has to be deconstructed as its creation was an attempt to abolish the Church

Religious: I went from moderately to agnostic to moderately religious

Education: Non-formal equivalent to 7 years + at university level

Professions: Investor, Director, Manager - founder of several companies, Small business management (including organisational development), political analyst, author, stock analyst/trader. Im unsure whether resistance fighter (Justiciar Knight Commander) and martyr counts as a profession:)

Nicotine: Yes

Alcohol: Occasionally

Drugs: No

Tattoos: No

Sports: Snowboarding, fitness (body building/spinning), running

Watch sport: Only women's sand volley ball:P Perhaps I would if Norway didn't suck so hard in footbal

Name of your primary weapon: Mjöllnir

Name of your side arm: Gungnir

Hobbies: Political analysis, studying new topics, Free Mason, Heraldry, Genealogy, gaming (MMO or Modern Warfare 2), travelling - learning about new cultures, music, friends. I have had the privilege of experiencing the following countries:

Sweden, Denmark, UK, Germany, Poland, Belarus, France, Austria, Hungary, Austria, Croatia, Lithuania, Estonia, Latvia, Spain, Cyprus, Malta, US, Turkey, Mexico, China, Nigeria, Cote d'Ivoire, Liberia.

Key points – curriculum vitae

Key qualifications:

Organisational/business development – Experience with the establishment, development and management of smaller businesses related to the fields; organisational/business development, small business management, marketing and sales

Financial analysis – stock/currency analysis relating to the fields/indicators; candlesticks, RSI, stochastic, MACD, Bollinger bands, DMI, momentum

2005-2007: Managing director of E-Commerce Group AS (part investment company – 50%, part sales/outsourcing company – 50%). I converted ABB ENK to a corporation (AS). Total of 7 employees: 3 in Norway, 1 in Russia, 1 in Indonesia, 1 in Romania, 1 in the US. Distribution of outsourcing services to foreign companies, sold software/programming solutions. Worked part time with day trading (stocks/options/currency/commodities). This was a front (milking cow) with the purpose of financing resistance/liberation related military operations. The company was successful although most of the funds were channelled through a Caribbean subsidiary (with base in Antigua, a location where European countries do not have access): Brentwood Solutions Limited with bank accounts in other Caribbean nations and Eastern Europe. E-Commerce Group was terminated in 2007 while most of the funds were channelled in an “unorthodox manner” to Norway available to the coming intellectual and subsequent operations phase.

2002-2004: Director of Anders Behring Breivik ENK (part time from May 02 (shortly after my inclusion in PCCTS) – des. 02, full time from March 03. Same emphasis as E-Commerce Group. This was a front (milking cow) I established and focused on shortly after my inclusion in PCCTS, Knights Templar with the purpose of financing resistance/liberation related military operations.

2002-2003: Supervisor/internal advisor for Bankia Bank ASA (Apr. 02 – March 03)

2001-2002: Customer service representative for Bankia Bank ASA (Nov. 01 – Apr. 02)

2000-2001: Managing director of Media Group AS. Development and sales of outdoor media solutions (primarily billboards). My company was partially acquired/bought by Mediamax Norway AS after I (and my employee, Kristoffer Andresen) had built a billboard portfolio from scratch in the Oslo area which was then sold to Mediamax Norge AS (which was later bought by JC Decaux Norway) and Clear Channel (July 00 – July 01)

1999-2000: Team leader for the customer service rep. dept. for Enitel Telephony/mobile/internet/support division (March 99 – July 00)

1998-1999: Director for Behring & Kerner Marketing DA. Implementation and sales of telephonic services (part time from Aug. 98-Feb. 99)

1997-1999: Corporate customer care rep. for customer care/internet support for Telia Norway AS (Nov 97-Feb 99)

1996-1997: Part time as a sales rep. for ACTA Economical Counselling (Feb 96-97)

Education: Non-formal studies/degrees: Bachelor of Business Administration (major: small business management) part time studies using the curriculum/online study courses from AIU, American InterContinental University (98-02), Bachelor of Political Science (major: political science and history) part time studies (00-05), Master of Political Science, full/part time studies (05-10). See other chapter for specification.

Other professional activities:

2005: Was coached by my friend, former mentor and independent stock analyst; Xun Dai over a 6 month period on the areas: technical stock analysis: candlesticks, RSI, stochastic, MACD, Bollinger bands, DMI, momentum

2000-2001: Was coached by my former mentor – and managing director of Hypertec AS; Richard Steinfeldt-Berg over a 12 month period on the areas; management, administration, corporate/business/organisation development (May 00-May 01)

1995-1998: Oslo Handelsgymnasium/Hartvig Nissen High School

Board positions, professional activities, responsibilities

2003: Candidate for the Oslo City Council election on behalf of the Oslo Progress Party. This was during the “crossroad” when I was in the process of deciding whether I would fully abandon conventional politics (and a career within conventional politics) as a solution/source to acquire funds for the future operation or if I would rather leave conventional politics altogether and rather focus on entrepreneurship/business as the source for financing my future and clandestine participation in the pan-European Conservative Revolutionary

Movement/pan-European Resistance Movement. As you already know I became one of the founding members of the PCCTS, Knights Templar in 2002 and among the very first Justiciar Knight Commanders. However, regardless of this choice, I was not completely convinced I was done with conventional politics. I actually decided to do a last push (after my pledge to the PCCTS) as I was already nominated on behalf of the Oslo Progress Party for the City Council election in 2003/2004. I came relatively close to being elected but was not among the final contestants due to the fact that the Progress Party Youth (lead by my rival Jøran Kallmyr) refused, for strategical reasons, to support my candidature. At the time I was more popular than Jøran but needed the support of the youth organisation (an organisation I had been a part of for a few years). I don't blame him for backstabbing me like that though. After all, he had invested so much more of his time to the organisation than I had. He deserved it while I didn't and I would probably have done the same thing if I was him.

Also, during the "crossroad phase" I had lost all faith in the Progress Party as a solution to Norway's rapid disintegration due to multiculturalism and Islamisation. A moderate cultural conservative political party like the Progress Party is un-capable of solving any of our primary problems as they are systematically ridiculed and isolated by all other political parties and a united media sector. This, even despite of the fact that they have taken measures and gotten rid of all true nationalists ending up with only opportunistic career cynisists unwilling to take any political risks.

The Progress Party is now a part of the problem as they continuously give the Norwegian people false hope and thus contributes to pacify them. They should rather be honest and admit that all hopes for the democratical change of the society is futile and rather encourage all patriotic Norwegians to resist the multiculturalist regime through armed resistance. Their unwillingness to do this makes them a central part of the problem and in fact an obstacle to the liberation of and the reconquista of Norway.

I anticipate that the Norwegian media will persecute and undermine the Progress Party for my earlier involvement in the organisation. This is not a negative thing as an increasing amount of Norwegians will then have their "illusions of democratic change" crushed (if the Progress Party is annihilated by the multiculturalist media) and rather resorts to armed resistance. From a tactical and pragmatial viewpoint; the PC Medias defeat of the Progress Party will benefit the armed National Resistance Movement in Norway. The more moderate alternatives are persecuted the more likely it is that the average nationalists illusions of peaceful reform will be crushed, which will lead to him seeking "other means". Because at this point, armed resistance and the violent overthrow of our regime is the only thing that can save us.

2002: Founding member (national representative) of the PCCTS, Knights Templar, in London (April).

2002: Member of the board of directors of the control authority for Majorstuen Eldresenter (Majorstuen Retirement home), political position for the Norwegian Progress Party.

2002: Member of the board of directors for Uranienborg Elementary and Secondary School, political position for the Norwegian Progress Party.

2001: Development of the financial prospectus for Hypertec AS in cooperation with NB Partner AS and PriceWaterhouseCoopers DA (Jan 01-May 01)

2000-2003: Board member in Progress Party Frogner and Vice Chairman in the Progress Party Youth – Oslo West.

Q: You said you were into genealogy?

A: I am very proud of my Viking heritage. My name, Breivik, is a location name from northern Norway, and can be dated back to even before the Viking era. Behring is a pre-Christian Germanic name which is derived from Behr, the Germanic word for Bear (or "those who are protected by the bear"). Anders (Andreas) is the Scandinavian equivalent of; English: Andrew, Greek: Andreus, Italian: Andrea, Russian: Andrey. I have managed to trace the Behring side of my family tree back to around 1680 and know that the origin of the name reaches all the way back to a Teutonic German family which used the Bear in their coat of arms. There is a church in Southern Germany that carries my family's coat of arms (a black bear on yellow background) or the coat of arms of my ancestor, Behr/Ber/Bear. It is likely that I am somehow related to the great Danish explorer Bering (Bering Island, Bering strait, Bering sea) although I have been unable to trace my lineage to his particular family branch. As the German Ber/Bear clan grew up to a millennia ago, they added an h and eventually "ring" to establish a distinction between the various related families. Animal names violated the principles of Christendom so

adding various endings might have been as a result of the increasing conversion to Christianity approximately a thousand years ago.

Q: Why did you decide not to formalise your education?

A: I first got involved with the armed European Resistance Movement when I was 21/22 years old, in 2001/2002. At this point I had made no concluding decisions whether to go ahead with any specific operation or not. I still felt I had to learn more. The nature of the network structure at that point allowed for a substantial degree of self-organisation. I didn't have to swear to any specific operation. We only swore to the pre-defined principles which included among other things to protect the free peoples of Europe by working for the liberation of Western Europe from the grasp of cultural Marxist hegemony (I have specified this more accurately in another chapter). When I decided to go ahead with the operation in 2002/2003 there were still several opportunities to back down. Formalising my education and to continue official studies at a registered university would be counter-productive as it would side track my involvement in other sub-tasks. I would not have enough time to run my company and building a financial platform for a future operation. Also, there would be no professor within the field of political science that would approve my thesis on master/PhD level. More or less every professor in that field is politically correct/cultural Marxists and would reject any thesis/work presented of cultural conservative and especially revolutionary nature. Formalising your education is all about prestige and the possibility of working for various organisations. I care little about prestige and even less for the opportunities to work for "publicly approved" politically correct entities. It was therefore no incentive whatsoever for me to invest so many of my resources in formalising my education in any of the fields that interested me.

Q: Can you describe your strengths and flaws as an individual?

A: I'm an extremely patient and a very positively minded individual. I have obviously changed my ways over the years and am now driven by idealistic goals and work for the interests of my countrymen and all Europeans. Most people would not acknowledge the work yet (nor are they likely to appreciate it during my lifetime) but this is an irrelevant fact for me. With time they will understand what is going on around them and that what we are trying to accomplish will benefit not only them, but most importantly their children and grandchildren.

As for current flaws in my personality I guess have many stereotypical flaws. For example; I sound quite self righteous at times and I don't like admitting it when I'm wrong, although I usually do. I still have a relatively inflated ego, with a constant need to feed on an intellectual level. This is a quite common flaw and I try to suppress it although I know I fail as most people do. Also, over the years I've generally been perceived as quite arrogant (even downright unpleasant at times, the last few years). This is likely due to the fact that I do not care as much as I did for creating or preserving social relationships due to my life choice. I guess it is also due the way I choose my rhetorical approaches, which is to a certain degree only an indirect defensive mechanism. I, as most people, like to think I have a superb self confidence. But people who show signs of arrogance usually often use deliberate defensive manifestation to camouflage intellectual or social insecurity or perhaps they just don't care. I guess the root to a majority of human flaws is linked to mans fundamentally flawed nature. We want acknowledgement, appreciation and/or love so we strive to be as perfect as we can be. These human instincts often undermine the need for a pragmatism mindset. As for social skills or skills facilitating interaction and communication with others; I know I mastered them a lot better before I started my self-engulfing studies several years ago. Social skills is an art form that

requires continuous practice, and many of the people I know are masters at it. I know I could be as well but it would require a different lifestyle. I do not accept or acknowledge many of the established "social rules" as I view it as irrelevant noise which takes us away from what is needed of us at this point in time. In any case; a majority of devout intellectuals have significant social flaws due to the fact that their choice of life (theoretical analysis) usually results in a scenario where they are "unplugged" from the "game" for too long. At which point they would need at least a year or two studying/updating the fundamentals of social rhetorical engagement). In depth analysis and theoretical studies doesn't exactly go hand in hand with advancing your social skills which is more related to the skills of interaction and communication; sales, entertainment and manipulation. Unfortunately, many of my friends who are masters at it are apolitical and usually end up wasting their superb social skills on manipulating women into one night stands. If I were to focus on the social aspects of the conservative revolution (instead of the intellectual) I would rather use these abilities for something useful; for political consolidation/recruitment purposes. However, it is very hard to be a master at theoretical analysis and master social skills as it is in many ways the anti-thesis of each other. I wouldn't necessarily call it a flaw but the area of social skills I have neglected the most is; "Game" interaction - PC small talk, entertaining skills/PC humour. I simply do not want to waste my limited time on BS or irrelevant social noise.

Individual flaws are very often related to the flaws of society. I used to be a relatively self centered, arrogant individual who didn't care much for anyone except my closest friends and family. I used to have pretty shallow ambitions where the goal of personal acquisition of wealth, gaining admiration from other shallow individuals and the attempt of gaining unlimited access to sex and parties was the driving force behind my existence. Pretty pathetic when you think about it really, but it's as we know quite common in a society in complete moral decay where you are completely detached from your extended family, your community, the Church and with little national and cultural identity and pride etc. It's a natural result of a fanatically consumerist society where the highest virtue and the essence of your existence is based on feeding your own ego. You become a zombie where the highlight of your day is purchasing a 1000 Euro garment or a 100 Euro sushi meal, or getting a blowjob from someone you met outside the toilet at a club that Saturday. On your way home you see a girl getting gang-raped by 4 Somalis. You don't offer it much thought as the slag probably had it coming anyway... Why should you risk your health for someone you don't know? And the poor Somalis are probably only acting out as a result of centuries of European colonialism. Poor fellas. Society should take responsibility and offer these underprivileged individuals better accommodations and more rights, perhaps affirmative action would ensure that they feel at home, that they finally would like us? How can we be so cruel and treat them this way?

You work 9-10 hours a day, come home, eat, work out a couple of hours to keep fit, take your regular tanning, spa and Botox session and don't really have time for much else. Your concerns are not for the well being of your family - close or extended, your neighbours, your kinsmen or countrymen, about the outlook for your country or your compassion for others, but rather the frightening scenario of being alone in this world. You don't want children because in essence you are a child yourself without responsibility or concern for anyone but yourself. Your only concern is how you can get your next dopamine fix, through and endless spiral of feeding your own ego.

When I was at the top of my game, I had everything. At least, I thought I had everything when in essence I had lost everything. The problem was that you simply want more and more, you never get enough and you end up being put down when you are unable to exceed past achievements. It's a never ending cycle you really can't beat. As for politics you deliberately place your head in the sand. You know what's going on but your very existence (your image) is based around the "game" which requires you to be 100% politically correct. So you can't really say to anyone what you think and feel without risking losing face or denting your image. Even if you might dare to speak your mind,

you are unwilling to suffer for your ideas so you justify to yourself that the only rational approach is to ignore thinking about it all together. Most people going that road realises at one point in life that it's a pretty shallow existence. They long for something better but are trapped by the unofficial "rules of the game" propagated through every aspect of society. At that point you are 30-40 years + without a family, without children. It's the destructive and suicidal "Sex and the City" lifestyle (modern feminism, sexual revolution) which we are taught to revere as the truth. In that setting, men are not men anymore, but metro sexual and emotional beings that are there to serve the purpose as a never-criticising soul mate to the new age feminist woman goddess. The perfect matriarchy has now been fulfilled and complete equality has finally been achieved. The fact that mankind will cease to exist within three generations with this type of regime is irrelevant. Long live cultural Marxism!

Anyway, I came to realise many of my flaws years ago and acted upon them. I have never been happier than I am now. A flawed, destructive and suicidal society will breed mentally damaged, corrupt and self serving individuals. It's our responsibility to change the very base code of society's corruption. It's our duty to destroy the fundamental political doctrines of cultural Marxism.

Q: Do you consider yourself as an optimist as for the future of Europe?

A: I'm very optimistic. The question we must ask ourselves is; how do we defeat a self-defeating ideology? It's rather self explanatory; cultural Marxism/ multiculturalism, especially in combination with Islam, will defeat itself. The reasoning behind this claim is that the cultural Marxist and Islamic alliance will not last. As soon as Islam reaches a few percent it begins to show signs of chauvinism which is the essence of any fascist, racist and imperialistic ideology. Muslims who follow the Quran are simply too aggressive and impatient and they will simply be unable to keep the peace for long. Ghettofication in combination with demographical warfare (which is in fact the very definition of indirect ethnic cleansing) will go hand in hand with systematical rape, ravaging, brutalisation and killing of us non-Muslims. One point in the future a window of opportunity will arise for us. Until that day comes, we must prepare, plan, recruit, arm ourselves through self education but also by acquiring weapons and armour. We must educate and enlighten as many Europeans as possible but most importantly continue the armed resistance. When that window of opportunity comes, we must be ready to seize political and military control using all means necessary. When the time comes, we must not hesitate, we must risk everything for the chance to gain our freedom and secure the freedom for our kinsmen once more.

I know I will die fighting the overwhelming cultural Marxists/multiculturalist forces in phase 1 and that's not a problem for me at all. I have prepared mentally for a very long time and I will gladly sacrifice my life for the benefit of my European brothers and sisters. My love for them exceeds my own self serving interests. That's not the kind of person I used to be, but it's the type of person I have become. My hate and contempt for the cultural Marxists/multiculturalist doctrines is definitely there. However, as with most individuals, love and hate fuels us. Passion and motivation is converted into action. Some people are overwhelmed with hate or love. It's essential that we don't allow the passion to control us. It's critical that we are cool and act rationally with a long term perspective. Our day will come, have no doubt about it. Just act rationally in the mean time and don't sell your life cheaply. Make sure you have many children or fight for the armed resistance movement. You may fight with the pen or with the sword, every effort counts!

Q: Are you a religious man, and should science take priority over the teachings of the Bible?

A: My parents, being rather secular wanted to give me the choice in regards to religion. At the age of 15 I chose to be baptised and confirmed in the Norwegian State Church. I consider myself to be 100% Christian. However, I strongly object to the current suicidal path of the Catholic Church but especially the Protestant Church. I support a Church that believes in self defence and who are willing to fight for its principles and values, at least resist the efforts put forth to exterminate it gradually. The Catholic and Protestant Church are both cheering their own annihilation considering the fact that they embrace the ongoing inter-faith dialogue and the appeasement of Islam. The current Church elite has shown its suicidal face, as vividly demonstrated last year by the archbishop of Canterbury's speech contemplating the legitimacy of Shariah in parts of Britain.

I trust that the future leadership of a European cultural conservative hegemony in Europe will ensure that the current Church leadership are replaced and the systems somewhat reformed. We must have a Church leadership who supports a future Crusade with the intention of liberating the Balkans, Anatolia and creating three Christian states in the Middle East. Efforts should be made to facilitate the de-construction of the Protestant Church whose members should convert back to Catholicism. The Protestant Church had an important role once but its original goals have been accomplished and have contributed to reform the Catholic Church as well. Europe should have a united Church lead by a just and non-suicidal Pope who is willing to fight for the security of his subjects, especially in regards to Islamic atrocities.

I fully support that the Church gains more or less monopoly on religion in Europe (government policies, school curriculum etc at least) in addition to granting the Church several concessions which have been taken from them the last decades.

As for the Church and science, it is essential that science takes an undisputed precedence over biblical teachings. Europe has always been the cradle of science and it must always continue to be that way.

Regarding my personal relationship with God, I guess I'm not an excessively religious man. I am first and foremost a man of logic. However, I am a supporter of a monocultural Christian Europe.

Q: Which types of individuals and which current national political system do you admire the most?

A: As for individuals, I admire anyone who contributes to further humanity scientifically, culturally, technologically, militarily and economically. I admire individuals who act selflessly and/or contribute through personal sacrifice in one way or the other.

As for current national political systems, I especially admire the Japanese, South Korean and Taiwanese system. These three countries reject multiculturalism outright and have instead focused on maintaining and protecting their monoculture. They have managed to copy and implement the most advantageous mechanics from Europe and the US (in terms of educational, scientific, technological and economical mechanics) but have at the same time rejected cultural Marxism to a large degree. There is still room for improvement but they have managed to adapt quite well in the world and should be viewed as an inspiration for future cultural conservative governments.

Q: Any advice to a future cultural conservative tribunal/government?

A: Most aspects are already covered in the compendium. Implementing a cultural conservative agenda is essential but don't go overboard with the changes in a short amount of time. Be patient and don't let short term impatience or greed be your undoing. Learn from past mistakes. Sometimes it's best to seek a gradual transformation rather than turning everything upside down too quickly. The goal is to create a long term and sustainable cultural conservative society which often will require you to make unfavourable short term concessions. Use strategic populism for what it's worth and be careful not to rob people of too many freedoms.

Q: Which individual or organisation deserves the Nobel Peace Prize?

A: As some of us already know, the Nobel Institute is controlled by the EUSSR/USASSR criminal hegemony. I would probably award it to someone who fights hate ideologies like multiculturalism (European hate-ideology), as very few are aware of the true nature of this under-analyzed political model.

Q: Why don't you mention the liberation of the US (from multiculturalism, suicidal humanism and Islamisation) in your book?

A: It is not our place to dictate or tell our European-American brothers and sisters what to do or not do. Whatever they decide, we Europeans will support them 100%. But of course, we are aware that they are in a somewhat similar situation. The democrats are supporting mass-Muslim immigration for the votes, while the Republicans want cheap labour. They do not have any political party at all representing them. However, we know that they are monitoring the European situation closely and are thus likely to respond based on our course of action. When the traitor government in France falls within the next seven decades it will act as a domino effect which might also result in an American right wing coup.

Q: Who is your favourite contemporary author and why?

A: That would be Fjordman. Despite a couple of attempts, I have not been able to meet with him even though he is Norwegian. He is quite paranoid which is understandable to a certain degree I guess. Many have asked if I am Fjordman, but this is obviously not the case. To be honest, I had no idea who he was until I was six months into my current compendium, "2083". At that time I had researched most of the primary and secondary topics for my book. To my great surprise I found that Fjordman had written about many of the same topics I was writing about. The only difference being that he was a professional essay writer and I was not. Our views are quite similar with the exception of me being an actual armed resistance fighter. I had researched hundreds of writers in the past, many of whom are good. However, I really felt a connection to Fjordmans essays. He is most likely the most talented right wing essay writer in Europe. Another factor that separates him from everyone else is that he really wants to contribute. He writes because he really wants to contribute to change Europe, unlike many other right wing intellectuals who are more concerned about feeding their egos. I have the impression that some are opportunists who simply want to milk the cow for as long as possible. People that really want change will not trademark their work indefinitely but instead see that their intellectual works are distributed to as many Europeans as possible on as many languages as possible. This is not possible as long as the authors on the field trademark

their intellectual work and do whatever they can to limit the distribution. I can understand that they need to earn enough for food and rent etc. However, if they want to make a real difference instead of being viewed as "intellectual war profiteers and opportunists" they will have to contribute by making their intellectual property available for all Europeans. We are in the middle of the war and many of them are not contributing as much as they could.

Fjordman and every writer out there who makes their intellectual work available for distribution will be viewed as valuable contributors and they will be remembered as heroes of the conservative revolutionary movement. Obviously, everyone should have the opportunity to make a profit, which is why I have suggested to many that they release their works on two arenas. On one hand, they can sell their products as usual, while still allowing the armed European Resistance Movement to distribute their works freely, without legally persecuting everyone who does.

Q: Do you party a lot and what about a girlfriend/wife?

A: I have partied a lot since I was 16 and I still do (with the exception of the five last year's where I have lived a lot more ascetic). We just celebrated my friend Peters 30th birthday with five of my best friends (total of 12 people) in Budapest. We spent five days there partying and celebrating. I haven't consumed that many Absolut and Redbulls since I was in Las Vegas;) We had an amazing five days. But people at our age start to settle down, so we will party less in the future. Family will always take priority over socialising but of course that doesn't mean that you can't travel occasionally for a weekend and party hard.

I guess I had a more normal life until I chose my current path. The path of the Justiciar Knight isn't really compatible with that of person seeking to establish a family. I have traditionally been too ambitious and self centered to focus on a serious long term relationship as is quite "normal" under our current regime/social structures. Most of my friends are still very much how I used to be, living normal privileged lives some with relationships, some single. Since I broke with my normal life (old life) I have lived quite ascetic, a lifestyle that wouldn't appeal to that many. However, if I wanted to I could have more or less everything I set my mind on. I consider myself to be very resourceful, economically privileged, well educated (although I would probably have to formalise my education if I ever wanted to work for someone else), fit and very happy with my physical appearance. Nevertheless, when I had acquired my millions (which was my old goal in life) I found it all to be very superficial and disappointing. I grew tired of "the game", which re-enforced my opinion that I should rather strive to become a better man. I grew from being a so called "arrogant self centered fuck" who didn't care about anyone except myself, my family and friends to something better. I wanted to improve myself morally and seek a more responsible level so I became a better man. I had to pay a high price though. I left several aspects of my old life behind and had to completely re-establish myself on an existential level. It was hard because everyone I used to know felt I had abandoned them. I never burned any bridges though which might explain why many of them are still pressuring me to "come back". Obviously, I do not intend to. If they knew my real intentions my cover would be blown and I would risk being exposed. I cannot allow that to happen.

Q: Name your favourite; **a.** music, **b.** destination, **c.** possession or item with high affection value, **d.** clothing brand, **e.** au de toilette, **f.** ball sport, **g.** football team, **h.** comedian, **i.** food, **j.** movie, **k.** type of architecture and interior design direction, **l.** beer, **m.** drink, **n.** books

A: **a.** Vocal elektronika (vocal trance) but also classical music and pop. Armin van Buuren, John O'Callaghan, Marcus Shossow with vocals like Audrey Gallagher, Emma Hewitt, Sarah Howells, Sheryl Dean, Helene Bøksle, Saga etc. I also appreciate classical music.

Opera: Wagner, Verdi, Mozart

b. Budapest, the architecture and cultural treasures are amazing, nightlife and people exceptional. Valetta, Malta is extremely impressive as well. A perfect balance of culture and nightlife. The architecture and historical sites in Valetta are amazing. Everyone should study the history of Malta as it was Western Europe's frontline against Jihad for centuries and its history, architecture and historical sites reflect this. I did enjoy Las Vegas as well but I really dislike the superficial aspects of American society. The American state I found least superficial was Texas. I still love so many aspects of US culture though. It's hard not to love it, but there is no place like European metropolitans. Biggest shit hole: it must be Ivory Coast and Liberia.

c. My Ipod + my Breitling Crosswind, chronograph.

Also my collection of oil/air brush paintings I had custom made from the best graffiti artist in Norway, Coderock. It's a collection and recreation of 12 paintings. I've given two of them to friends.

d. LaCoste

e. Chanel Platinum Egoiste

f. Football or beach volley

g. Oslo's Lyn and Bygdøy Ballklubb

h. Pat Condell

i. No favourite. All cultures have excellent dishes.

j. 300, Sci-fi, zombie, Lord of the Ring, Star Wars, Passion of the Christ

k. Futuristic classical minimalism or pure baroque depending on the designated room/structure

l. Budweiser (the real Czech Bud, not the American piss water:P)

m. Red Bull + Absolute

n. George Orwell - *Nineteen Eighty-Four*, Thomas Hobbes - *Leviathan*, John Stuart Mill - *On Liberty*, John Locke - *Essay Concerning Human Understanding*, Adam Smith - *The Wealth of Nations*, Edmund Burke - *Reflections on the Revolution in France*, Ayn Rand - *Atlas Shrugged*, *The Fountainhead*, William James - *Pragmatism*, Carl von Clausewitz - *On War*, Fjordman - *Defeating Eurabia*

Other important books I've read (in random order):

The Bible, *Avesta*, *Quran*, *Hadith*, Plato - *The Republic*, Niccolò Machiavelli - *The Prince*, William Shakespeare - *First Folio*, Immanuel Kant - *Critique of Pure Reason*, Homer - *Iliad and Odyssey*, Dante Alighieri - *The Divine Comedy*, Karl Marx & Friedrich Engels - *Communist Manifesto*, Charles Darwin - *The Origin of Species*, Leo Tolstoy - *War and Peace*, Franz Kafka - *The Trial*, Arnold Joseph Toynbee - *A Study of History*

Q: Name one living person you would like to meet?

A: The Pope or Vladimir Putin. Putin seems like a fair and resolute leader worthy of respect. I'm unsure at this point whether he has the potential to be our best friend or our worst enemy though. He's very hard to psychoanalyze. I wouldn't want to be his enemy, that's for sure. Obviously, he has to openly condemn us at this point which is understandable.

Q: Other people you would want to meet?

A: The following people have to condemn us at this point which is fine. It is after all essential that they protect their reputational shields. Anders Fogh Rasmussen, Geert Wilders, Radovan Karadzic, Lee Myung-bak and Taro Aso.

But isn't Radovan Karadzic a mass murderer and a racist?! As far as my studies show he is neither. The Muslims in Bosnian Serbia; the so called Bosniaks and Albanians had waged deliberate demographic warfare (indirect genocide) against Serbs for decades. This type of warfare is one of the most destructive forms of Jihad and is quite similar to what we are experiencing now in Western Europe. He offered the Muslims in Bosnian Serbia the chance to convert or leave the country (the same standard deal Christians are offered in many Muslim countries), he even went as far as offering the Muslims certain enclaves. When they refused he wanted to deport them by force. When this was made impossible by NATO he gave the order to fight the people who refused which was his sovereign right and responsibility as one of the primary leaders of Serb forces. This was never about ethnicity but about ridding the country of the genocidal hate ideology known as Islam. I do condemn any atrocities committed against Croats and vice versa but for his efforts to rid Serbia of Islam he will always be considered and remembered as an honourable Crusader and a European war hero. As for the NATO war criminals, the Western European category A traitors who gave the green light, they are nothing less than war criminals.

Q: Have you ever broken the law before?

A: I made art/damage on various walls without permission when I was very young (graffiti phase from age 13-16). In retrospect I understood that it wasn't a very nice thing to do. I was fined once and had to spend two weeks with a friend scrubbing busses. I haven't done anything illegal since then.

Q: Hobbies and interests?

A: Friends, fitness (weightlifting and spinning), snowboarding, opera, theatre, art exhibitions, antiquities, MMOs, science fiction, Freemasons, European architecture, European history, European art in general, genealogy, heraldry, political/stock/currency/commodity analysis, travelling - learning about different cultures.

Annual grouse hunting trip, Oslo Pistol Club, Norwegian Masonic Greater Lounge.

I took a year off when I was 25 and played WoW PvE hardcore for a year.

Conservatism - Alliance, human female mage – PvE, Server: Silvermoon
Conservative - Horde, tauren female resto druid – PvP, Server: Silvermoon

I raided hardcore and was a guild leader in a couple of hardcore guilds: Virtue, then Unit, Nordrassil – Rank 1 Alliance PvE. We transferred the guild to Silvermoon. I grew tired of running the guild and sorting recruitment issues so I joined Nevermore, another hardcore guild on Silvermoon (Rank 3). Silvermoon is the most progressed Alliance server in the world out of more than 300 servers (10 million + players worldwide) so the competition is extremely hard. This means we were one of the most progressed guilds in the world at one time. I can honestly say running a hardcore WoW guild is equally challenging to running your own business with 7 employees or more. It requires an extreme amount of work in order to be successful and get server first kills. It was a good experience and something I wanted to do at least a limited amount of time during a period of my life.

I'm currently playing Modern Warfare 2 casually.

Q: Personal achievements that you are most proud of?

A: I started the early stage of the planning phase (financing the operation) around 2002 by developing a company from scratch: Anders Behring Breivik ENK later converted to E-Commerce Group AS. During the next years I had a total of 7 employees in five different countries: 1 person in the US, 2 in Russia, 1 in Romania, 1 in Indonesia and 2 in Norway. From year 2002 to 2006 I made approximately 4 million NOK. The business concept was the outsourcing of programming services to clients in the US and Europe by using labour in Indonesia, Russia and Romania. The products ranged from web sites to advanced software solutions.

As noted, this, the financing stage, was as you may know a sub-task of a bigger operation, which is still in progress. The creation of this compendium is actually a larger and more central task in this process, as I would never have had enough funds to create it if wasn't for my earlier financial/business ventures. The actual military operation is also a sub-task as well as it is a marketing method for the distribution of this compendium among other things.

Q: Military experience?

A: None. I avoided the mandatory draft service when I was 18 because I didn't feel any loyalty to the ruling political parties. I understood from early age that dying for your country would involve fighting your own leading political parties, not serving them.

Q: When did you first begin to study stock charts?

A: At the age of 15. I remember I spent half an hour every single day checking the tickers in Aftenposten, a national newspaper. At the age of 17 I started speculating quite aggressively with call options. I was too young so I had to fax over a written notice from my mum. Unfortunately, due to a correction later that year I managed to lose all my capital, 100 000 NOK which was my life savings. This put me off from stocks for a few years.

Q: Are you a social type with a positive attitude?

A: I've always been good at socialising, getting to know new people. However, after a while, you understand that you only have the capacity to prioritise a limited select network of people. Being optimistic and positive is essential, especially when working with something that can be a bit depressing at times. Take a time out, make your favourite smoothie, work out or check out the newest DVD of your favourite sjanger, or whatever cheers you up! It's important to enjoy life even if we work with thankless tasks.

Q: Do you still consider yourself a capitalist?

A: Yes and no. I oppose globalist capitalism as globalist firms have too much political influence but I support entrepreneurship/capitalistic principles on a local, regional and national level. It is essential to ensure that entrepreneurs are awarded with incentives. I was quite bombastic about the issue when I was younger, very pro laissez-fair capitalism, but not anymore. There are so many flaws with the capitalistic system and it has to be regulated to a certain degree. Globalist corporations should be disallowed to lobby for free flow of human capital (removal of borders, mass immigration etc). I believe in a free market limited to a European economic bloc that will be geographically limited to Europe (with Russia), Northern America and Australia. The Muslim world has to be completely isolated while Christian Africa and Hindu/Buddhist Asia will still continue to be our trading partners. China should be excluded from WTO as we obviously are unable to compete with them demographically. We can't compete with a country that has 1,4 billion citizens. Free market is always a good thing to a certain degree. And yes, I am aware of the fact that with these policies - goods will be more expensive, but at least we keep the capital within our own countries and avoid trade deficits to non-European blocks. The reason why the European economic model will never function in the US is because the lack of national cohesion is so prevalent there. Ironically, seeing the Islamic colonisation of Europe the last few decades this is about to happen to Europe as well. People lose faith in the system and will eventually refuse to allow their government to excessively taxate them. As long as Europe is ruled by the current cultural Marxist criminal network, Europeans should do what they can to avoid excessive taxation by using tax havens where possible. Every European should try to avoid funding the current tyrannical multiculturalist system.

Concluding questions

Q: How do you view your brothers and sisters who have initiated smaller scale operations in the past?

A: I know that tens of thousands of brothers and sister all over Europe are fighting the good fight every single day. Fighting the cultural Marxist/multiculturalist alliance every single day. Many have sacrificed everything already; many are incarcerated and some have even martyred themselves. The media never write about their courageous and noble acts and the great majority of us are unknown to most people. The current Western European multiculturalist regimes are doing everything in their power to suppress our actions. Silencing us is their weapon of choice. They systematically and deliberately attempt to blackout everything so that as few people as possible know that there is an ongoing civil war. They do this to prevent recruitment. As history has shown so many times, the tide will turn in our favour when people least expect it. I salute every single brother and sister who contributes day in and day out! You are the true heroes of the conservative revolution! You inspire an increasing number of Europeans to follow in our path. Hadn't it been for the brave and selfless actions of these European heroes, me and people like me would not have been inspired. I heard your calling and as a result I did my duty as many more will continue to do. Hopefully, I will be able to contribute and inspire others. We will experience many failures and it will get a lot more ugly before it gets better. However, never forget that thousands of brothers and sisters are doing all in their power to ensure our success every single day. We will succeed eventually as multiculturalism is a self-defeating ideology.

Everyone should learn from past mistakes and share the knowledge with others. Build your networks on Facebook, continue the consolidation and share ideas but do not incriminate yourself or others needlessly! The reason why most people are exposed is because they can't keep their mouth shut; they brag and tell people they "think they can trust". People need to be more disciplined, be more patient, keep their mouth shut and they should do everything solo, especially in phase 1. When you tell one single person about your plans you are increasing the chance of exposure by 100%. If you tell 10 individuals you are increasing the chance of failure to 90-95%. There will come a time when we can work in larger cells (3-20 people) but not yet. These activities should be delayed until phase 2. Until then, work solo, be disciplined and keep your mouth shut. If you rely on recognition and encouragement then encourage yourselves based on proven methods. Follow the guidelines of this book and you will succeed! Keep up the good work. Believe me when I say, hadn't it been for your past efforts, I would never have contributed. You might think that no one cares but there are hundreds of thousands of Europeans that do care. Reach out to them and focus on consolidation. You are all heroes of Europe and we salute you!

Q: What would you say to your European brothers and sisters?

A: Know that you are not alone in this struggle. We have tens of millions of European sympathisers and tens of thousands of brothers and sisters who support us fully and are willing to fight by our side. The numbers are increasing annually as more and more people learn to understand what is going on; witnessing the cultural Marxist/multiculturalist/Muslim atrocities and seeing the Muslim populations increase. Know that you have loyal brothers and sisters in your country and all around Europe – Great Britain, Russia, France, Germany, Spain, Italy, Poland, Austria, Netherlands, Sweden, Denmark, Serbia, Norway, Switzerland, Andorra, Armenia, Belarus, Bosnia and Herzegovina, Bulgaria, Croatia, Cyprus, Czech Republic, Estonia, Finland, Georgia, Greece, Hungary, Iceland, Ireland, Latvia, Liechtenstein, Lithuania, Luxembourg, Macedonia, Malta,

Monaco, Montenegro, Norway, Romania, San Marino, Slovakia, Slovenia, Ukraine, Cyprus and the Vatican City. Even Christian Cultural Conservatives in Moldova and Albania.

"I began the revolution with 82 men. If I had to do it again, I would do it with 10 or 15 who had absolute faith. It does not matter how small you are if you have faith and a plan of action."

Fidel Castro

To be here is a privilege. To see clearly is optional. To do the right thing is a duty. It's critical that you do not allow the frustration and pain to consume you before you actually manage to contribute. Be pragmatical whatever you choose to do. There are many ways to contribute to the struggle. Becoming a Justiciar Knight is just one out of several manifestations of the struggle:

- Front 1-7 (all non-military), any career/effort that lets you influence others and society
- You can be a blogger, spreading the truth about the topics listed in this book.
- Create a blog today and spread the Conservative Revolution; Wordpress.com, Blogger.com. Register your blog with nationalist/patriotic/conservative blog networks so you can stay in touch with others like you. Create a channel on Youtube or join other patriotic channels. You can publish your videos by creating an account.
- You can infiltrate multiculturalist blogs and forums spreading the same arguments and documentation which will contribute to recruit more and sow doubt in the hearts of our enemies. Our enemies have thousands of "internet apologists" doing the same to us.
- You may try to influence the democratical process by infiltrating the MA100 political parties (parties supporting multiculturalism) and weaken their resolve from the inside.
- You can seek a career in the police force or the military with the goal of reaching positions where you gain influence when the window of opportunity opens up within a few decades. The military command is perhaps the most important arena as it will be extremely important in phase 2 and 3.
- You can seek a career in any media organisations, particularly the broadcast media.
- Academic infiltration is just as important as joining the guerrilla movement in phase 1. You might not see immediate results but you are playing a crucial role.
- Another much underestimated task is procreation. By having as many children as possible and "moulding them into conservative warriors; to fight with the pen or the sword" will be the key to our future victory. We need a new generation who has been shielded from the cultural Marxist/multiculturalist indoctrination campaigns and we need brothers and sisters who parent these future European heroes. If you are not willing to sacrifice your own life, then I would strongly advise you to make babies and ensure that they will be willing to sacrifice theirs when the time is right.

It's really important that you focus on enjoying life and having fun in this process. Being a bitter old goat behind a computer will only drive you to depression, and defeat. Convert your frustration and anger to motivation and resolve. Be positive!

Do not act prematurely. We still have decades so use the time wisely. Above all, do not sell your life cheaply when the time comes!

The selfless struggle and resistance of an ever increasing number of Europeans has renewed my hope that there is yet great good left within Europe. We can depart without fear that darkness will prevail in our absence.

"If you are not afraid of dying, there is nothing you cannot achieve."

Lao Tzu

Conquer your fear like your brothers and sisters have done in the past and we will reconquer Europe from the grasp of our disloyal, corrupt and suicidal cultural Marxist/multiculturalist elites.

"There is no glory like for those who save their country."

Lord Tennyson

We fight for the free indigenous peoples of Europe, for those not yet born and for the memory and wishes of our forefathers, our martyrs. We fight to preserve our culture, our identity, our country and for Christendom.

All participants in the current Phase 1 civil war will be remembered as the courageous few, the immortal pioneers, true European heroes who had the courage when no one else did, who stood up against, and still stand up against an oppressive Marxist tyrant.

We must rise and claim what is rightfully ours! By September 11th, 2083, the third wave of Jihad will have been repelled and the cultural Marxist/ multiculturalist hegemony in Western Europe will be shattered and lying in ruin, exactly 400 years after we won the battle of Vienna on September 11th, 1683. Europe will once again be governed by patriots.

"A revolution always seems hopeless and impossible the day before it breaks out and indeed never does break out until it seems hopeless and impossible."

George Bernard Shaw

With discipline, hard work and sacrifice, we will succeed sooner than you might expect. A single successful "Operation Regime Ender" after Jan. 1st 2020 will lead to a chain of events that eventually ensures that the multiculturalist EUSSR hegemony collapses. Support the reconquista, support the PCCTS, Knights Templar!

AB

Justiciar Knight Commander, cell 8
Knights Templar Europe
Knights Templar Norway

3.154 Knights Templar Log

Personal reflections and experiences during the preparation phases

My closest friends

Marius, my oldest friend. We have been close since we were eleven years old. We have had some ups and downs during the last 19 years but we have managed to preserve our friendship. He is a patriot but relatively a-political. He knows what is going on but doesn't really care that much about the future as he is living his life now. Motto: a week without getting laid is a week without meaning; He's a good guy and I appreciate him. I started the process of de-socialisation 4 years ago to create a certain distance to my friends (to prevent them from finding out what I'm using most of my time on).

Axel and I have been friends since secondary school so it is almost 15 years now. We have had a couple of ups and downs but have preserved our friendship. Axels' girlfriend Synne is a staunch Labour Party supporter so there is definitely a factor of strife there. Axel has embraced a lifestyle where career and family is in the centre. I've never revealed anything about my involvement in the European Resistance Movement to him. I try avoiding discussing politics with him as we are ideologically miles apart, especially after he embraced his fiancée's political and world views which are extremely politically correct. I usually propagate the more moderate Progress Party ideological narrative when discussing politics with friends and friends of friends. It would be too risky to reveal anything else about my ideological standpoints. But Synne even thinks the moderate Progress Party are extreme and she has influenced Axel considerably. Very annoying but absolutely nothing I can do about that.

Martin and I have been friends since secondary school so it is almost 15 years now. He has been a stable friend over the years although he has significant trust issues due to the fact that he was bullied in his childhood. It is impossible to connect fully with him due to these psychological limitations but he is still a good friend. He is the typical apolitical career cynicist:)

Peter has been my closest friend since we met during our time at Oslo Handelsgymnasium High School. His parents (Hungarians) fled the Marxist Soviet Union in the 60s. He knows everything about me. Well, except my involvement in the resistance. I remember I had to lie to him several years ago, during the time I first initiated a relationship with the pan-European Resistance Network. He was the only person who knew I was actually travelling to Liberia and London in 2002 and I had to forward a credible cover to him. I couldn't risk trusting him (or anyone) with my true intentions as it could potentially hurt him or me in the future. I told him I was travelling to Liberia to research the potential to smuggle blood diamonds and selling them in London. It was a great and very credible cover (I spent a couple of weeks preparing it) and he has never questioned the circumstances around those or any other trips. I'm not the type of person that takes lying lightly so it was hard for me to lie to him. I wish I could just tell him everything, but unfortunately I can't. I know he is far from as ideologically confident as me so it would be meaningless to tell him and most importantly; if he knew anything it would incriminate him. Ignorance is bliss...

I have several other relatively close friends but won't go into details about all. All of them are apolitical and pretty apathetic when it comes to politics.

Personal reflections and experiences during several preparation phases

April/May 2002

I am the Norwegian delegate to the founding meeting in London, England and ordained as the 8th Justiciar Knight for the PCCTS, Knights Templar Europe. I joined the session after

visiting one of the initial facilitators, a Serbian Crusader Commander and war hero, in Monrovia, Liberia. Certain long term tasks are delegated and I am one of two who are asked to create a compendium based on the information I have acquired from the other founders during our sessions. Our primary objective is to develop PCCTS, Knights Templar into becoming the foremost conservative revolutionary movement in Western Europe the next few decades. This in relation to developing a new type of European nationalism referred to as Crusader Nationalism. This new political denomination of nationalism will become the foremost counterweight to National Socialism and other cultural conservative political denominations, on the cultural right wing. Everyone is using code names; mine is Sigurd (the Crusader) while my assigned mentor is referred to as Richard (the Lionhearted). I believe I'm the youngest one here.

I am going to discontinue my involvement in the Norwegian Progress Party as I have lost faith in the democratic struggle to save Europe from Islamification. After 65 years of harsh political oppression, demonization and ridicule from the communist-globalist cultural establishment, directed at any and all who opposes multiculturalism, there are still no indications that this communist-globalist hegemony will ever allow PP to take control. My party is systematically vilified and sabotaged by a united media before every single election. And even if they ever did manage to form a majority government with Høyre (the Conservative Party) their principles and party program would not be conservative enough to halt the ongoing Islamic demographic warfare OR increase the ethnic Norwegian fertility rate from 1,4 to 2,1. The only thing PP has achieved so far is to give false hope to Norwegians. They say that democratic struggle is the only solution, when it is clearly already lost. How can we democratically compete with a regime that is mass-importing hundreds of thousands of new voters? The PP is pacifying Norwegians by giving them false hope and I refuse to continue to have any involvement in this. Armed struggle appears futile at this point but it is the only way forward.

2002-2006

I am required to build a capital base in order to fund the creation of the compendium. I don't know if I will ever proceed with a martyrdom operation at this point as it simply seems too radical.

My plan A is to attempt to acquire 3 million Euro, in which case I plan to establish a pan-European organizational platform that will attempt to grow organically as a support organization which will distribute a "legal version" of the compendium.

If I fail to generate the specified amount I will move forward with the operation, in order to market the compendium that way.

As of 2005 I have managed to generate 500 000 Euro, but I am still 2,5 million Euro short. I will attempt to generate the remaining amount through continued stock/options speculation. I can afford to lose up to 250 000 Euro without it compromising the completion of the compendium and the subsequent effectuation of the operation.

Stock/option speculation did not work out. I will need to cut my losses and proceed to plan B.

After cutting my losses, I now have a minimum of funds to complete my two tasks (in excess of 250 000 Euro).

2006-2008

Researching and writing the compendium: "A European Declaration of Independence"

Autumn – 2008

I attended a birthday party in Oscarsgate, Oslo. We were attending a birthday party organised by a good friend of Axels' girlfriend, Synne. I noticed the woman who celebrated

her birthday was working as a judge. A majority of the people at the party were jurists - judges and lawyers in the public sector. I chatted with most of the people at the party. It really struck me how incredibly politically correct everyone was, as if they were all members of the Norwegian Labour Party. I have never before experienced a group of people who are completely freaked out about discussing political issues relating to multiculturalism and Islamisation. I noticed a majority of these people were Labour Party sympathisers. I guess they don't really have a choice considering the fact that they are all climbing the public sector hierarchy. A thought occurred. The judges during WW2 who had party affiliations with the NS or any affiliation with the SS were prosecuted and imprisoned. Is it therefore only fair that judges of high rank with party affiliations to the Labour Party and the other parties who support multiculturalism (and therefore Islamisation) is to be considered category B or C traitors? They obviously have a considerable responsibility and should be considered traitors of their people. I would imagine most of them would be considered category C though as their influence is considerably less prevalent than that of any parliamentarian, editor/journalist or university professor/lecturer. In any case, nice people though and we had a good time. If only they had any idea that one of their guests was a Justiciar Knight of an organisation affiliated with the Norwegian and European Resistance Movement, I would be thrown out immediately most likely. It is completely understandable as their careers would be over if they had any affiliation with such organisations or individuals.

Autumn – 2009 – Birthday party

My best friend, Peters, 30th birthday. We are going to Budapest to party hard for 5 days. This is my second trip to Hungary. I really love that country and the people. Clubs in Buda are top notch. Excellent elektronika scene, among the best in the world. Hungarian girls are hot as hell, too bad I have to avoid relationships for the good of my mission. Doesn't hurt having fun though: D I don't think I've consumed this much alcohol for many years, totally awesome. My best friends, Martin, Axel, Marius and Peter went down and hooked up with another band of Norwegians we have known for some years. One of Martins best friends are Jon-Niclas, really cool guy. He's a rather well known Norwegian comedian, together with his partner and friend Anders, and a few others. We had a lot of fun down there, the ten of us. Most of us know each other from Nissen High School in Oslo.

Autumn – 2009 - Phase shift

I'm in a phase shift with my project. The compendium is complete and I currently preparing for the next phase. I'm creating two different and "professional looking" prospectuses for "business ventures". A mining company and a small farm operation. The reasoning for this decision is to create a credible cover in case I am arrested in regards to the purchase and smuggling of explosives or components to explosives - fertiliser. In this regard I created a new company called Geofarm, which might act as a credible cover for such activities. I spent about 2 weeks cannibalizing an existing Mining prospectus. In addition to the prospectus I have created I will create two websites and business cards. I also intend to contact suppliers of equipment related to these industries so that they may act as future witnesses, collaborating my story, should I ever need it. If I do get arrested in this "acquisition phase" I figure that they will have a hard time proving that my intention is to contribute and fight in the ongoing European civil war. Sure, they will attempt to charge me with terror but they will not have enough evidence to incarcerate me (due to my covers). Also considering the fact that I have never done anything illegal in the past. If I do get caught I will, however, be placed on every imaginable watch list for the rest of my life and will thus be unable to partake in any advance operation. In this case I will have to cancel the primary operation and instead go with my secondary operation of lesser significance. Such is the life of a resistance fighter.

November – 2009

I've spent a few weeks contributing to set up a cultural conservative newspaper with national distribution in Norway. The idea is to develop Document.no, a cultural conservative blog into a newspaper company with 12 publications per year. I've developed a relatively complex strategy and forwarded it to Hans, the editor and manager. I have made a few

attempts to seek funding although my efforts haven't materialised yet. I tried to formalise cooperation between the Progress Party and Document (both moderate cultural conservative entities), at least in an incubation period. However, after discussing this with both FrP and Hans it would appear as they do not want to take part in any form of cooperation with each other. I have spent approximately 50 hours developing potential strategies for Document.no, pro bono, but I will have to limit any further involvement due to my primary operation. Hans Rustad, the leader of Document.no, seems like an odd fellow. I'm usually excellent in psycho analyzing people but I haven't figured him out at all. I know he has a Marxist background and I believe he is in fact something of a rarity – an actual national Bolshevik, and thus not a real nationalist. He likes to criticise the multiculturalist media hegemony in Norway but is completely unwilling to contribute to create any form of political platform or consolidation. He seems extremely paranoid and suspect of most people and he likes to attempt to ridicule and mock Fjordman, every time he writes a comment. Document.no has developed into a kind of moderate cultural conservative think tank where moderate cultural conservatives exchange thoughts and make comments on the articles posted. Hans likes to criticise cultural Marxist media (MSM) but is unwilling to present any solutions or to contribute to any form of consolidation of an "alternative". Despite of that, I don't mind contributing somewhat as it benefits our cause, regardless.

December – 2009

I've now worked with email farming for two months. God, I wouldn't have imagined it was going to be this f..... boring:D I'm using Facebook to target various nationalist related groups and inviting every single member. I've managed to farm approximately 1700 email addresses this way. I did generic swipes of various blogs and internet sites earlier this year as well. Total number of email addresses is approx 3000-5000, haven't made an exact count yet<3

Ofc, it's a quite tedious task due to the fact that Facebook has a 50 invitations cap per day. Even with my two accounts I'm limited to inviting a maximum of 100 per day, where an average of 40-50% accepts. Of these 40-50% around 90% have email addresses whereas approx only 50% are checked on a regular basis. So of 1000 Facebook friends I will achieve a penetration rate of around 20-30%. Not optimal but then again, I can't think of a more efficient way to get in direct touch with nationalists in all European countries.

Christmas – 2009

Have been in a few Christmas parties with friends, fun although I've gained some extra kilos:D I'm currently 7 kg overweight up 3-4 kilos the last three months. I started the hardcore training program a few months ago but chose to end it in order to complete the book and email farming process. At this point I've extended the writing phase 4 times due to the urge to extend certain chapters. These delays are starting to severely affect my budget leaving me with less than 42k Euro in direct funds and another 25k in credit. I really need to finalise this compendium soon and move on to next phase (research into weaponry, armour and explosives followed by acquirement phase). Will have to destroy my old hard drives and buy new ones before the research phase, and then destroy these ones again before acquirement phase. It takes ages to farm quality email addresses from Facebook. Anyways, moral is on an all time high but physically I'm at an all time low. I really need to start my training program soon... but still approx 1-2 months before my time budget allows me to focus on this. Btw, I just read that an alleged Swedish neo-Nazi group, who allegedly planned to assassinate Swedish category A and B traitors, had been uncovered in connection with the theft of the "Arbeit macht Frei sign". Hmm, I always wondered if these guys are actually National Socialists or if it's just typical cultural Marxist propaganda. Perhaps it's my fellow co-founder of PCCTS, my sister-cell??? I guess I won't find out unless they publish the names. I doubt it though. They seem to be using the outdated, traditional and vulnerable hierarchical military cell-model which indicates that they are from an old school and un-related resistance fraction.

January 2010

I was out with Peter and Didrik today. We had some drinks at Peters bachelor pad near Bogstadveien, probably the most prestigious place to live for bachelors in Oslo and not far from where I used to live when I was still in the "game". We then went on to a nearby restaurant, had an incredible meal, drank some more and met Peters girlfriend and her friends. We had a few beers and talked, very cosy<3 I remember telling Christine about my career as a writer, telling her that I wasn't planning on actually selling the book but rather to distribute it freely in order to more efficiently propagate our cause to a broader audience (they were all cultural conservative btw). Christine told me that she believed I was driven by idealism, which is of course true, but that I actually lived my dream. While I didn't want to start to argue that particular factor, as I don't like appearing like a pooper or to risk blowing my cover, it got me thinking. Are we, the reactionary revolutionary conservatives really living our dream or are we making a sacrifice? To be honest, if I felt that other people could do my job I would not do what I do, that I can guarantee you. I don't want to do what I do, I would rather focus on starting a family and focus on my career again. But I can't do that as long as I feel like a person caught in a burning spaceship with nowhere to go. If you see the ship is burning you don't ignore it and start cooking noodles do you? You put out the fire even if it endangers your life. You don't enjoy putting out the fire but it is your duty to yourself and your fellow crewmen. And let's say your crewmen have been infected with a rare virus that shuts down their rational senses and they try to stop you from putting out the fire. You can't really allow yourself to be stopped by any of them as it will lead to your collective death. You will do anything to put out that fire despite of the fact that they are trying to stop you. Anything else would be illogical.

But sacrificing yourself for others who probably detest you for it doesn't necessarily have to be a miserable experience. After all, we have the truth and logic on our side and we will learn to find rewards and comfort in our actions. After all, sometimes being uncompassionate is the most compassionate thing you can do.

Anyway, back to email farming on Facebook, aaaaarrrrrgh:/ It's driving me nuts, lol. I'm currently working on French leads/FB groups. An extremely tedious and boring task – preparing quality contacts from scouring patriotic Facebook groups and sending out 100 select invitations per day (from 2 FB accounts). I've been doing this for 60 days straight now, 3-4 hours per day. FB networking isn't all that bad though as you do meet a lot of interesting, like minded people. This is the main reason why my book has been delayed. I just feel that I must send my book to at least 10 000 primary nationalists in the European world and I'm currently at 6000 email addresses. Good vocal trance music makes this task a lot less boring;). My funds are depleting gradually though; currently at 50 000 Euro + 30 000 Euro in credit limits (12 credit cards ftw), which will force me into the next phase of the operation soon. A usual day for me involves email farming, writing, sharing "moderate" resources from my book on debate groups to coach fellow cultural conservatives, smoking, eating chocolate lol, taking a daily 1 hour walk/motivational meditation and doing some occasional battlegrounds in WoW on my badass Horde resto druid. I just completed Dragon Age Origins not long ago. A brilliant game!:D It's important to have fun a few hours every day. I regret to admit that I've become a notorious downloader of pirated movies, series and games etc. but have noticed that an increasing number of sites have been closed down lately. Stealing is bad, I admit, but then again, when you have devoted your entire life to a good cause you can allow yourself some naughtiness especially if it can contribute to conserve your funds, cough;). Yes, yes, no ones perfect:P

February 2010

I just bought Modern Warfare 2, the game. It is probably the best military simulator out there and it's one of the hottest games this year. I played MW1 as well but I didn't really like it as I'm generally more the fantasy RPG kind of person – Dragon Age Origins etc .and not so much into first person shooters. I see MW2 more as a part of my training-simulation than anything else. I've still learned to love it though and especially the multiplayer part is amazing. You can more or less completely simulate actual operations.

I've continued with email farming until now, on a daily basis. The email farming phase is coming towards its end and I will conclude it by at least attempting to acquire as many

email addresses to members of parliament in Western European countries as possible. Because I think focusing solely on distributing the compendium to patriots would be a mistake as they have little to no political influence in the EUSSR/USASSR hegemony. It is important that our enemies know "how we see what they are doing". The national intelligence agencies of Europe will do everything they can to limit its distribution. They will not allow the parliament members of any nation to read it, so we must send it directly to them.

It's a shame I have to purge my 5000 Facebook contacts. It took so much time and work to acquire all those contacts and I get the feeling I'm purging a little piece of my life, lol. But I did get what I came for after all; every individuals email address.

It is still too snowy and cold to initiate the acquirement phase (acquirement of weaponry and armour etc). My agenda the following months looks like the following:

1. Conclude email farming
2. Conclude the writing of 2083 and secure it. This post will be one of my last entries. I will have to secure the compendium at a safe location until the week before operation (today is Feb 7th btw).
3. Change hard drives (phase shift), purge all evidence from other phase.
4. Initiate the research phase: research the possibilities for the acquirement of weaponry and armour, the making of WMDs (explosives), acquirement of components of WMD, research of logistics and storage opportunities.

I have budgeted 2 weeks for the research phase, but it might take up to 6 weeks.

The research phase will be followed by the acquirement phase where I have budgeted 4-8 months. The acquirement phase will be followed by a one week only construction/preparation phase.

Btw, I just received what looks like a mass recruitment message from one of my 5000 Facebook contacts (he's wearing a balaclava in his pic btw with a t-shirt with the SS skull insignia). The message goes like this:

Hails!

"help support are worldwide organization ATB Aryan Terror Brigade a branch Of blood and honour, if you are interested reply....."

While I have to admire the young lad's initiative and probably noble intention (he probably doesn't have the faintest clue what National Socialism or constructive and meaningful resistance is) the lack of subtlety and discretion is unfortunately the current trademark of many European amateurish resistance groups. They probably want recruits in their Jew/immigrant bashing efforts... Many of these people are causing so much damage to the nationalist cause that I sometimes wonder if they are on the payroll of the cultural Marxists. Regardless, my hope is that this compendium will contribute to a significant "leap in evolution" of the current climate of cluelessness and incompetence.

March 2010

I have ended my "email acquisition phase" ending up with a grand total of 5700 Facebook contacts (2 accounts) and a total of 8000 high quality email addresses (representing all spheres of cultural conservative thought). I now have a direct way forwarding my compendium to a good portion of the most dedicated nationalist oriented individuals in all Western European countries, including the US, Australia, Canada, South Africa, certain Eastern European countries, Armenia, Israel and even India. This task has taken me several months and it pained me to purge all my FB contacts. I've talked and discussed with hundreds of patriotic individuals (many whom are nationalist oriented intellectuals fighting the good fight), many good people, which made the decision to purge the contacts even harder. I have now moderated by FB profile considerably and transformed it to a politically correct profile. I do fear sometimes that my endeavours relating to the research

of the book, and acquisitions of these addresses has resulted in me being put on various watch lists. I know that at least a few of the profiles I invited are fake, and used for information gathering for various European and US intelligence agencies. The question is; have they flagged me? I guess I will find out eventually...

I went ahead and sold some of the last sets of items I possessed, from my former life, which had value. It was a complete 40 piece Versace-Rosenthal dinner set worth approximately 5 000 Euros. I bought it a few years ago for 2 000 Euros and just sold it for that price. I know I should sell my Breitling Crosswind (new price: 7 000 Euros), but sentimental value has thus far prevented me from doing that. Actually, I still have a corporate HP printer (new price 4 000 Euro). I may attempt to sell that later as it's pointless for me to own one. I do have a quite large booze and wine collection which I have collected over the years. Several of the red wine flasks are from 1979, and therefore possibly worth a fortune. I do appreciate a glass of vintage red wine so I may actually drink it, prior to execution of operation. I have given away a few of my paintings to friends. I will keep the rest hanging, as I still appreciate the works.

The compendium is in its last phase. I have worked quite hard the last two months to complete it. I estimate that I will be able to complete it within 2 weeks.

Time is of the essence, and I really need to start the research phase (for the actual operation) and begin on the physical transformation phase. I have to wait until I have secured the compendium at multiple locations and purged and destroyed my hard drives.

Moral is peaking. I can't wait to share the compendium with fellow brothers and sisters. This will be one of the last entries btw. I may or may not add more to this log prior to execution of operation.

July 2010

I recently successfully finished the "armour acquisition phase" and have created an armour cache by secured a full Pelican case underground. I basically dug it down somewhere deep in the Norwegian forest. It was my first experience with this type of assignment and I underestimated the planning needed to complete the job. A few days ago, I got up at 5.00 in the morning and spent a couple of hours packing for the trip. By using Google Earth I had selected a desolate location (aprox), deep in the forests of Norway. I did not yet know the exact location when I set out on the trip, loaded with my cargo. The Pelican case contained a complete set of Lokis armour – shield included, caltrops, police insignias and various other equipment needed for the operation. I was unable to place the Damascus FX-1 Flexforce riot suit and the molle, pouch carrier in the Pelican case so I stashed it on the attic marking it as "air soft equipment". That will have to do... The Pelican case was so full I had to physically sit on it to be able to lock it properly.

Anyway, after about a 3-4 hour drive I arrived at the area and I started to scout for small roads of the highway, as a car parked by the highway would cause unwanted attention. I found one potential location and drove my little Hyundai weenie car down a dirt road. These cheap urban cars are obviously not for off road use so I almost ended in the ditch. I parked the car and scouted the area on foot for an hour but with little success. An appropriate location involves finding an area with soil that you can actually dig in so it excludes areas close to rocks or near trees (all the roots will make it too hard to dig). I drove for half an hour and started scouting another location. I found what I thought could be an appropriate dig site and fetched the shovel and two big plastic covers for initial testing of the soil. I could tell by the topography that not many people had been here before. The forest was very compact with a lot of spider webs, and hundreds of flying bugs around. I have serious issues with spiders so I just had to block those thoughts out. Of course, it was a giant rock just 10 cm below the soil of my first attempt... Regardless, I continued digging close by and eventually found a suitable spot. When in the "identification process" you should expect a few unsuccessful attempts. You should at least dig 1,5-2 meters vertically and you obviously need a little bit of luck. I was considering getting an echo sensor gadget for this purpose, which can reveal whether there are obstructions below the ground etc. However, getting one would be a hassle, so I just decided to do it the old fashion way.

I started digging at 11.00 and continued for three hours straight. There were a lot of mosquitoes annoying the hell out of me despite of the fact that I was covered in anti-mosquito oil. Why oh why didn't I bring a mosquito head-net... Due to the intensity of constantly digging, the heat and sweat forced me to remove everything except my boots and my Skins compression gear. The bugs had a field day for sure... Digging for hours is exhausting but I continued pushing my tolerance level as I really wanted to finish before dark. At around 16.00 I was out of water, I had emptied by 1,5 litre camelbak pouch. I had been digging continuously for 5 hours and was completely exhausted, yet I hadn't even finished digging the hole... I was getting increasingly frustrated as I couldn't go on much longer without water. As I didn't want another day of this hell (4-6 hours driving total + digging) I made the best out of the situation and went to prepare the cargo in my car for transportation to the dig site. I had originally planned to split the content of the case into four and carry it in my backpack to the site. The case was too heavy to transport in one go without problems. Unfortunately, with my water issue I really had no choice. I literally dragged the 70 kg case to the dig site. It was extremely exhaustive but it saved me approximately 30-60 minutes. At 18.00 I had secured the case underground and filled in all the dirt. I then spent around 40 minutes concealing the dig site by transporting branches and leaves from other parts of the forest. After one and a half hours drive I finally reached a gas station. I was quite dehydrated at the time. Needless to say; that was the best coke and hotdog I had consumed in ages...

I realize that I rushed the end process due to the fact that I had underestimated several aspects of "dig site management". I will not make the same mistake when I'm securing my weapons after the "weapons acquirement phase". Lesson learned.

August 2010, 1

Phase shift – armour phase to weapons phase; harddrive replaced with new one, and all evidence from former phase purged. I'm preparing for a car trip to Prague to establish a weapons connection for the acquisition of an assault rifle, a glock, splint grenades and AP ammo (grenades and AP ammo is a bonus). Prague is known for being maybe the most important transit point for illicit drugs and weapons in Europe. I spent a couple of days planning the trip as it takes around 15-17 hours to drive and it involves the car ferry from Sweden to Denmark and another ferry from Denmark to Germany. I might just take a car ferry from Oslo to Germany. It will be hard to avoid using my visa during this trip but I will try. My mobile will be turned off during the entire duration and will only be turned on in an emergency. I have researched all relevant information; hostel info for Copenhagen, Berlin and Prague. If I fail to accomplish my objective in Prague my secondary attempt will be in Berlin. If that fails as well I will drive all the way to Serbia. My encounter with the criminal networks in Prague will not go without risk. I will have to try to establish a connection via Taxi drivers, and/or through the clubbing/prostitution scene. I just hope I make it out alive... I will at least avoid all ferries and electronic payments on the return trip and cross the northern border (it has minimal presence of custom officers), just in case I am somehow under surveillance. Better to be safe than sorry etc. When I return and secure the weapons I can finally initiate the "explosive phase". More on that in another chapter.

August 2010, 2

As the "armour acquirement phase" has been successfully completed it is now time to move on to the "weapons research phase" followed by the "weapons acquirement phase". I'm planning a road trip to Denmark and Germany as backup targets and Czech Republic as the primary destination with the intention of buying an AK-47 (7.62) and a glock 17 or 19 (9 mm). I've spent the last two to three weeks researching clubs or similar places where medium-scale drug dealers frequent. Drug dealers are the best bet when looking to establish a weapons connection, after all. They, or their suppliers, have functional smuggler routes from other East bloc countries, the Balkans and from Turkey. While they prefer to trade drugs, due to the space efficient nature of narcotics, they are usually able to provide weapons as well. If they don't have any weapons in stock, they are usually able to order arms from their couriers.

I can't say I'm looking forward to this trip. I've heard that Prague is the most dangerous capital in Europe with a lot of very brutal and cynical criminals. There is a chance I'll get killed down there by some desperate criminal individual. In any case; I've prepped by car, hollowed out the back seats of my Hyundai Atos and it should be room for weapons, a few frag grenades and AP ammo. The car is really crap so I hope it won't break down in the middle of the autobahn. Several people on the Hyundai forum said I would never reach my destination and back in that car, lol. I guess we will see... The reason I chose it in the first place is that it looks like a pensioners car, so it not likely that I will be stopped in customs controls when I smuggle the arms back to Oslo.

Today is the day; I'm driving down to the ferry now. It will take me from Oslo to Kiel, whereas I need to drive approx 9 hours straight to Prague where I have booked a 6 day stay at a relatively cheap hostel. I have usually gone with hotels in the past but they are not great for socializing. Nothing beats a Hostel when it comes to partying and getting to know people etc. This trip is going to be a fascinating experience. I'm just trying not to think too much about what might happen when I approach drug dealers. I've decided I want to get most out of the trip so I have made a schedule including visits to all of Prague's tourist attractions. I will do this during the day time, and go clubbing at night looking for a connection.

I'm been two days in Prague. I've sorted a few tasks I wanted to do. One involved professionally printing prospectuses which will serve to strengthen my cover stories in case I get apprehended pre-operation. The prospectus is basically a Mineral Extraction business plan explaining in detail why I would need to create explosives. The cover story involves the manufacturing of explosives without a permit. Everything is specified in the prospectus which should be enough to create a reasonable doubt regarding any potential terror charges, should I ever get caught. I also got several police ID badges and other related insignias professionally printed, paying cash of course. Printing these back in Norway would only result in the clerk notifying the authorities.

So only one thing remains; I need to find my weapons connection within 4 days...! I failed miserably yesterday; I went to two brothels and a couple of clubs. The people I approached got really nervous and thought I was either a cop or completely nuts, lol. I have had to refine my approach pitch. It started off really bad. Whatever you do when trying to establish a gun connection, never be too direct;

Hello there; I want to buy an AK-47, 4 frag grenades, 1 glock and AP bullets. (Guy will run for the hills before you have completed the last sentence:-)

This city doesn't seem dangerous at all btw. I have no idea why that BBC documentary would present such incorrect information. In fact, I feel even safer here than back in Oslo. Probably because there is basically no Muslims living in this country. Most of the criminals here are Christian Gypsies and I have found out that most of them have been basically chased away from the capital, Prague, to other Czech cities. I can understand why the government would want to do this. Prague is like a giant Museum of ancient European historical sites and attracts millions of tourists annually. All the criminals that was here a few years ago was bad for business. I have never seen this many tourists in any other European city; Paris, London and Berlin included. Downtown Prague is packed with thousands and thousands of tourists, even now in September.

Day 5 in Prague. I'm getting desperate. This is the first major setback for me during my operation. I am so disappointed by myself. I realize now that Prague is far from the ideal city when looking to buy arms. Western European capitals are probably a more suitable location to establish a connection as that is the end destination of the arms that come through here. Prague may be a transit point but finding the actual couriers or sellers has proven to be a hard task. Also, I guess I wasn't motivated enough, considering the fact that I could have just purchased a legal semi automatic rifle and a glock in Norway. I have approached several shady looking individuals but I would have tried a lot harder if it weren't for the fact that I could buy guns legally.

I have now decided to abort this sub-mission and rather focus on acquiring the weapons I need legally, back in Norway. Regardless of the outcome of this mission; I have had a

great vacation and have experienced most of the historical sites and a lot of amazing architecture. I've also partied a lot with the people I met at the hostel. Time to go home...

The trip back was a bore. My Ipod batteries died halfway to Copenhagen. I stayed the night at a hostel and drove from Copenhagen to Oslo the next day.

September 2010

I originally wanted to try establishing a connection with Hells Angels in either Prague, Berlin or Copenhagen. However, I lost my motivation completely during my first few days in Prague. I now have to acquire a semi-automatic rifle and Glock legally. I don't think the rifle will be a problem, as I have completed the 1 week duration hunter course, and I have had a Benelli Nova Pump-Action shot gun for 7 years without incident. I don't have a criminal record so there is no reason why the police should reject my application.

I have now sent an application for a Ruger Mini 14 semi-automatic rifle (5.56). It is the most "army like" rifle allowed in Norway, although it is considered a "poor man's" AR-15. I envy our European American brothers as the gun laws in Europe sucks ass in comparison. However, the EUSSR borders to Turkey and the Middle East so acquiring illegal arms isn't exactly rocket science providing you are motivated enough. In any case; I would rather have preferred a Ruger Mini 30, but I already own a 7.62 bolt rifle and it is likely that the police wouldn't grant me a similar caliber. On the application form I stated: "hunting deer". It would have been tempting to just write the truth; "executing category A and B cultural Marxists/multiculturalist traitors" just to see their reaction:P

Acquiring a pistol, legally, is more tricky. I have been a member of Oslo Pistol Club for a few years but it is required that you train regularly in order to be eligible. I will have to train more often this winter and ensure I build up a solid track record, which in turn should enable me to get a permit.

I have now changed my hard drive, again, and I'm now going to start the "explosives research phase". I've been looking forward to this phase for a long time.

October-November 2010

I have just completed the "explosives research phase" and have summarized several new chapters for the compendium. My rifle application came through and I have now ordered a 800 Euro silencer specifically created for automatic and semi-automatic rifles. The Ruger Mini 14 costs about 1400 Euro including a customized trigger job from the gun smith. I will have to buy a new stock with picatinny rails (400 Euro) and 30 bullet factory mags (60 Euro per mag) from a US supplier.

I have now cleared out all of the information (evidence) from the previous phase and changed my hard drive once again. I am now ready to start the chemical acquirement phase...!:-)

I was at a party yesterday with a few friends from high school. One of them, Trond, who apparently had evolved into a relatively extreme Marxist, often joining ANTIFA (Blitz) demonstrations... We were both into hip hop back then and he had apparently continued down that road. We had some interesting debates that night while drinking...:-) Can you believe the hypocrisy of some people? The guy lives in a Norwegian only area in the middle of a Muslim ghetto at Tøyen in Oslo. I asked him; don't you consider yourself to be a hypocrite considering the fact that you support mass Muslims immigration and at the same time refuse to actually live with them, and instead barricade yourself in a safe Norwegian area? Needless to say, he didn't have a good answer... I went on about the fact that there is no such thing as a Palestinian. The concept known as Palestine and Palestinians is a Syrian effort to justify Jihad etc (this is a classic and awesome way to infuriate Marxists:-). We managed to push his buttons over and over again without him realizing that we were using him as a supplier for top notch entertainment:-). God, that was actually quite mean but I honestly think he will re-evaluate his Marxist world view after that night.

I've now ordered 50 ml, 99% pure liquid nicotine from a Chinese online supplier. 3-4 drops will be injected in hollow point rifle bullets, which will effectively turn it into a lethal chemical weapon. However, I am quite worried about any potential customs related issue as pure nicotine is considered an illegal substance. In a worst case scenario; a customs official will open the package, get a few drops on his skin and die, and I will have a full SWAT team serving me cock sandwiches at my door the next morning... However, I specifically instructed the Chinese supplier to send the package by courier to my company name, with extra wrapping and chemical labeling.

I have now made my first order for one of the chemicals required for my initiator from an online-based Polish supplier. I will have to order another 4-5 different ingredients online before I am done.

Needless to say; this is an extremely vulnerable phase. In fact, it is the most vulnerable phase of them all. If I get through this phase without trouble I will be very close to finalizing my operation. I am somewhat concerned but I have credible cover stories for each individual chemical (with the exception of one) should there be any complication.

It has been decided that the operation will be effectuated in Autumn, 2011. However, I cannot go into factors concerning why, at this point. My current funds are running low, and I have less than 15 000 Euro left with a 30 000 credit backup from my 10 different credit cards. My primary funds should cover all planned expenses without spending any of the credit.

So what do I do when I'm not working? I'm in the middle of another steroid cycle at the moment, training hard to exceed my 92 kg record from July. I'm currently at 90 kg and hope to reach at least 95 kg. Perhaps ill even reach 100 kg before I end the cycle in 4 week's time!:-) I have a more or less perfect body at the moment and I'm as happy as I have ever been. My morale is at an all time high and I'm generally happy with how things are progressing. I may create an ideological Knights Templar Youtube movie this winter. I have some time to invest while I wait for my chemicals to arrive. My sister in Los Angeles invited me to spend Christmas with her, Kevin and my niece Kaia and nephew Tyler. I'm tempted to visit her for the fourth time but I don't know if my budget will allow it. My sister supports the fundamental principles of the cause but she couldn't care less about the struggle and politics in general. They are both career cynicisms and only really care about feeding their own egos. I understand that mentality though as I've been there myself. Still, such apathy is the root cause of both US and especially Western Europe's problems.

I've been partying occasionally with my friends; Marius, Axel, Peter and a few others, since I came back from Prague. The cover story I used as justification towards everyone I know was that I was promoting my book.

I am happy to see that Axel is finally coming to his senses regarding his views on the Islamisation of Europe. And I expect him to use his vote on the only anti-multiculturalist party during the election in a year's time.

I am currently watching Dexter, the series about that forensic mass murderer. Quite hilarious. I'm also looking forward to watch the new movie-series about Carlos the Jackal (the Marxist-Islamist and Che wannabe scumbag). Hopefully, it will be as good as the Baader Meinhof Complex. I really enjoyed that one. Oh, and I'm also playing Fallout 3 - New Vegas atm after just finishing Bioshock 2. I'm also going to try the new World of Warcraft - Cataclysm when it is released in December. Time to dust of my mage...

As for girlfriends; I do get the occasional lead, or the occasional girl making a move, especially now a day as I'm fit like hell and feel great. But I'm trying to avoid relationships as it would only complicate my plans and it may jeopardize my operation. And I don't feel comfortable manipulating girls any more into one night stands. I am not that person any more. I did screw two girls in Prague though, but that was mainly because it was a realistic chance that I would end up dead during the process of establishing a weapons connection. I won't make any effort to try to completely justify it though. Human males are imperfect by default as they are plagued by their biological needs. Nevertheless, screwing around outside of marriage is after all a relatively small sin compared to the huge amounts of grace I am about to generate with my martyrdom operation. And it is essential that you do what is required to keep moral and motivation at a high level; especially, just prior to

operation critical moments. I have reserved 2000 Euro from my operations budget which I intend to spend on a high quality model escort girl 1 week prior to execution of the mission. I will probably arrange that just before or after I attend my final martyrs mass in Frogner Church. It will contribute to ease my mind as I imagine I will get tense and very nervous. It is easier to face death if you know you are biologically, mentally and spiritually at ease.

I received the 50 ml of 99% pure liquid nicotine shipment from China today. I'm relieved to see that there were no complications whatsoever.

I thought I'd add a little comment about general expenditure during the pre-operational phases. It is essential to maintain a low budget to conserve your limited budget. The importance of this cannot be stressed enough as having sufficient funds for the operation is everything! Approximately 4 years ago, in 2006, just before I started writing this compendium, I decided to move from my apartment in Frogner, one of the most priciest areas in Oslo, home to my mother. She accepted as she knew I would have to conserve my funds while I was writing the compendium. The cost of renting my old apartment was 1250 Euro. My current accommodation expenditure (food included) is 450 Euro, a sum I transfer to my mother monthly for renting a room and for food. This wouldn't have worked in my old life, when I was an egotistical career cynic as it would devastate my social image. However, individuals who choose to become a Justiciar Knight cares little about image (the pursuit to project a desirable façade to impress friends and potential mating partners). Sure, some people will think you are a freak for living with your parents at the age of 31 but this is irrelevant for a Justiciar Knight. The only thing that matters is to ensure that you have enough funds and free time to complete the objectives necessary to execute your individual mission. As for keeping secrecy while living with another person; sure, you need many cover stories and you need access to the loft and/or basement storage areas. As long as you ensure that there is no possibility that the person you are living with will find out what you are really working on, living with others shouldn't pose a big problem until you initiate your manufacturing phase. My armour is dug down in the wilderness somewhere and I will soon dig down another pelican crate with my weapons, once I get them. I have a large Pelican chest in my room where I have secured items that might raise questions. Besides that, everything is on my PC and individual storage pins which I keep stored safe in the attic (they are 3 very small USB pins which are stored inside walls and properly concealed). They contain the required information for each of the coming phases. As soon as I have completed one phase I extract the information for the next phase from my pin, after I destroy my old hard drive. This has worked flawlessly so far. However, when I will start the actual manufacturing phase in a few months time, I will have no choice but to rent a cottage and/or small farm as I will require total anonymity while manufacturing and storing tons of materials.

I will not be able to update this log for a couple of months as I have to purge my old harddrive and store this information on a chip, externally. When this is done I will initiate the most critical of all phases; the "chemicals acquisition phase". If I succeed with this phase I will have everything needed except the AN.

December, January and February 2011

When initiating the "chemical acquirement phase", in end November/early December, I must admit I was filled with some angst. This was after all a critical phase, perhaps the most dangerous of all phases. If I messed this phase up, by being flagged, reported to the authorities etc. I would be neutralized before I could finalize my operation. Even when taking all possible precautions; I estimate it is a 30% chance of being reported to the system protectors at the national intelligence agency during this phase.

My concerns and angst relating to this phase impacted my motivation, to a point where I had to initiate specific counter-measures to reverse the loss of morale and motivation. I decided that the correct approach to reversing it was to initiate another DBOL steroid cycle and intensify my strength training. I also spent some time locating and downloading some new inspirational music. A lot of new vocal trance tracks and some inspirational music by Helene Bøksle. In addition; I decided I would allow myself to play the newly launched expansion: World of Warcraft – Cataclysm. The combination of these three counter

measures, in addition to my 3 weekly indoctrination/meditation walks, resulted in my morale and motivation again peaking.

I would now initiate the most critical of all phases; the "chemical acquirement phase"

I will include a list of some of the items/components acquired during this period:

Item: Sulphur powder (pure yellow)

Purchase: Dec 2010

Intended use: component to primary charge

Quantity: 0,5 kg

Supplier: Ebay, English company

Alt. supplier: can also be purchased from aquarium shops for aquarium filters

Shipping declaration: specified as "yellow artist paint dust"

Cost: 20 Euro

Bought with VISA - Paypal

Delivery: delivery without problems, customs never opened

Cover story: sulphur used for aquarium filter refill (oh, we love our little imaginary fishies, don't we)

Cover story used: no

Risk: I was concerned about customs seizing the package and/or informing authorities but it appears this didn't happen.

Item: Sodium Nitrite

Purchase: Dec 2010

Intended use: primary charge

Quantity: 0,3 kg

Supplier: Keten, Polish chemical store

Alt. supplier: can be purchased from other chemical stores and some apothecaries

Shipping declaration: specified as "sodium nitrate"

Cost: 10 Euro

Bought with VISA - Paypal

Delivery: delivery without problems, customs did not appear to have opened

Cover story: Sodium Nitrite used as a preservative for curing/processing meat. A teaspoon of SN is mixed with salt and other herbs and rubbed into 25 kg meat. This process preserves the colour before freezing and prevents the development of bacteria. It is common for Norwegian moose hunters to use this product as they often acquire and process up to several hundred kilograms of meat which needs to be processed with preservatives before freezing.

Cover story used: no

Risk: I was concerned about customs seizing the package and/or informing authorities but it appears this didn't happen.

Item: Sodium Nitrate

Purchase: Dec 2010

Intended use: component to secondary charge, Picric acid (1,5 kg worth)

Quantity: 3 kg

Supplier: Apothecary/drug store

Alt. supplier: can be created quite easily from primary materials. Guide is available on the net/youtube. Also available from other chemical stores and some apothecaries

Shipping declaration: There was a 1 week delivery time from the drug store as they had to order it from a supplier

Cost: 500 Euro

Bought with VISA

Delivery: product picked up at drug store, content searched for GPS transmitters just in case

Cover story: Sodium Nitrate used as a preservative for curing/processing meat. A teaspoon of SN is mixed with salt and other herbs and rubbed into 25 kg meat. This process preserves the colour before freezing and prevents the development of bacteria. It is common for Norwegian moose hunters to use this product as they often acquire and process up to several hundred kilograms of meat which needs to be processed with

preservatives before freezing. I was also a bit concerned about paying with my VISA, as it would be a traceable transaction, but I felt it would have caused "red flags" with the clerk if I attempted to pay by cash.

Cover story used: yes (reason for purchase explained to drug store clerk before ordering). Deluxe business regalia used at first encounter with clerk to send the right signals. A good method is to ask the correct questions which leads to the clerk suggesting you buy "compound x". I told her our hunting group had previously used a wholesale food supplier for buying the preservative but that they suggested we now buy it from a drug store. If selecting a drug store – use a rural one, located in a high class area, which is located in proximity to individuals who regularly go hunting. Also, ensure that you are a member of a hunter organization and have a license for a rifle etc. in case the clerk informs the intelligence agency who then performs a background check.

Risk: Moderate risk. I am concerned about the drug store clerk informing the intelligence agency. There is also a chance that the intelligence agency regularly screen drug store customer lists and compare it to terror lists. There is a slight possibility that you can end up on a list after you order such a substance from a drug store. Therefore; I would suggest you create SN using base materials. Google for "how to create "sodium nitrate" guides.

Item: Sulphuric Acid (car battery acid)

Purchase: Dec 2010

Intended use: component to primary and secondary charge

Quantity: 12 litres of pure (80-90%) sulphuric acid (equivalent to 25-36 litres of 30% SA)

Supplier: Automobile parts supplier - acquired 7L at 30% purity from two different suppliers, car recycling facility (where trashed cars are delivered) – acquired 4 large car batteries containing 6L at 30% purity, wholesale supplier for the mechanic shops: Exide Sønnak – acquired 25L at 30% purity

Alt. supplier: can be acquired from car mechanics, automobile parts suppliers or at recycling stations (often a subsection of a gasoline station). Also available from other chemical stores and some apothecaries

Cost: 150 Euro for 7L, 20 Euro for 4 batteries, 130 Euro for 25L

Bought with cash: from first three suppliers and with VISA for the 25L container, as I feared it would generate suspicion if I paid with cash.

Delivery: picked up at the selected suppliers, transporting the 25L container was risky as it is considered dangerous goods. If you crash your car with this load and the container breaks open you will end up like the melting guy in the Robocop movie:D The only bonus of course would be that you won't have to invest in a new Freddy Kruger face mask for next Halloween...

Cover story: I purchased 2-3 car batteries from an online store - mcdeler.no (research an equivalent site for your country). Story told to clerk: "Ordered xx from xx.com. To my surprise the batteries did not contain liquid, which is why I have to buy it separately." It is illegal to ship battery acid by post and the people working in these stores know it. Thus; your cover story will appear solid and credible and you will not raise any red flags. You can only buy up to 3-5L per supplier using this story, as the cover story would appear flawed if you claimed you ordered more than 3 batteries online.

Cover story used: yes, at all 4 suppliers. URL for site selling the "empty battery cases" proved useful as it showed that I had sincere intentions with the sulphuric acid.

Risk: Moderate risk. I was a little concerned about the 25L purchase since it was more than I needed, and it appeared too much for my "official use". However, they were sold out of the smaller variants so it was the only alternative. The guy selling them bought the story but he was really concerned for my safety when transporting the material. I am not looking forward to boiling down this nasty stuff, from 30% to 80-90% purity. I will take all precautions though and ensure to be wearing full chemical hazmat suit and full respirator with additional splash proof face mask. Although, I guess worst case would be that I can finally audition for the next Predator movie...<3

Item: Distilled water 25L container

Purchase: Dec 2010

Intended use: in manufacturing process of primary and secondary charge (never use normal water)

Quantity: 25 litres

Supplier: same supplier/transaction as above (25L car battery acid). In fact; this purchased only strengthened the cover story as car battery acid consists of 30% sulphuric acid and 70% distilled water.

Item: Acetylsalicylic acid (aspirin)

Purchase: Dec/Jan 2010/11

Intended use: component to primary and secondary charge

Quantity: 190 packages – 20 tabs x 440 mg (for 1,5kg of picric acid)

Supplier: Drug stores

Alt. supplier: N/A

Cost: 6 Euro per package = a total of 1140 Euro for 190 packages

Bought with cash: from all drug stores

Delivery: retail sale from drug store

Cover story: 3 packages for my company (December is the season for Christmas parties so it's the high season for aspirin due to alcohol side effects)

Cover story used: yes, in each drug store

Risk: Low. This was the most lol task ever. The main problem was that there are only 30-40 drug stores in my city and only 20 of them are within walking range of each other. I first attempted to purchase up to 10 packages per drugstore but with little success, due to the fact that it is not legal to sell more than 2 packages per customer. Larger purchases require a written notice from a medical professional. I ended up creating a "walking route" which included the purchase of 3 packages per drug store. Route covered 20 drug stores and took around 4 hours of constant walking to complete. Doing this by car would have taken even longer due to parking limitations in my city, and bicycle was out of the question as it was too much snow. I ended up using 4 full days (1 x route x 4 times) before I had enough aspirin. I waited 7-14 days before starting the purchase route again as I wanted to avoid being recognized by the pharmacy clerks. A few of them did recognize me though but since I appeared to be a professional (designer business regalia ftw) and an upstanding citizen, I believe no red flags were raised. High class regalia used for purchase round to avoid raising flags. I started out buying the expensive Bayer Aspirin but quickly reverted to the purchase of a generic brand instead, as it was much cheaper.

Item: Aluminium powder, flaked 400 mesh (particle size)

Intended use: component to tertiary charge (fertilizer sensitizer). According to sources; alu powder mixed with AN will increase tertiary charge sensitivity and increase demolition power by approximately 10-30%

Quantity: 10-15% of total fertilizer weight (2 tons of fertilizer means 200-300 kg alu powder)

Supplier: Keten, a Polish chem. store

Alt. supplier: You can buy large alu ingots and file them down or try other chem store

The alternative method described:

Buy aluminium bars/ingots or profiles from a forge/supplier and file these metal bars down to powder using specialized cryo filing drill bur and renting a high powered drill. If, in the future, intelligence agencies counter and start monitoring forges then alu scrap is also an option. I did significant research on this area and concluded: the optimal aluminium filing drill bit is the following:

Brand: Partsmaster, nch.com, Cryo phase, nitrid/carbid/cobalt burrs, ball nose cylinder 13mm, recommended drill RPM is 7000-38 000. They cost 130 Euro in my country. I haven't yet tested it but according to my calculations you should be able to generate at least 1kg of alu powder per minute (2 hours = 120 kg vs manual filing would take 112 hours for the same amount). You should probably dip the burr in ice water every 20 sec to prevent overheating, but I will have to double check this with supplier. We don't want the burr to crack.

Note: when filing; ALWAYS use a 3M mask with particle filter and create a 1m³ "work chamber" using plastic sheeting to prevent spreading alu particles all over the room/area.

Cost: 2000 Euro for 150 kg, shipping included. You can probably get 100 kg un-processed alu bars from 1000 Euro.

Payment by bank wire

Delivery: Ordered and paid in mid December. As of March 1st 2011, I have still not received it. The supplier is really unprofessional and has ignored my 5 last emails. 3 x 50 kg containers are supposed to be shipped to a Schenker store in Karlstad, Sweden, where I will make a pickup and transfer it to Oslo.

Cover story: Alu powder is an essential component to certain types of boat epoxy paints to give the paint UV protective properties. In the first email I explained this in detail (that it was for maritime epoxy coating purposes etc.). My company is a producer of coating solutions for the maritime sector etc.

Cover story used: yes

Risk: High. I regret placing the order as I see, in retrospect, that Keten is likely to be closely monitored by a majority of European intelligence agencies. Instead, I should have bought alu ingots from a forge and filing them down to powder using a special cryo filing drill bur and renting a high powered drill. As for type of alu; I am not really sure if flaked 400 mesh powder is the most optimal choice. There are conflicting facts surrounding the optimal alu particle size/shape for demolition purposes. Some said 400 flaked was optimal but other sources claimed spherical + other sizes was the best.

Item: Microballoons/sil-cell (very small glass spheres filled with oxygen)

Intended use: component to tertiary charge (fertilizer sensitizer). According to sources; microballoons mixed with AN will increase tertiary charge sensitivity and create so called "hotspots" which will increase demolition power by approximately 10-20%

Quantity: 2-3% of total fertilizer weight (2 tons of fertilizer means 50-60 kg microballoons)

Supplier: seasea.no, a maritime shop

Alt. supplier: other maritime shops or cement/plastic/resin/paint shops

Cost: 115 Euro for 9 kg, so 60 kg is 770 Euro.

Payment: haven't yet bought this as I don't have anywhere to store it yet

Delivery: N/A

Cover story: Going to research "cover story" when the time comes. I think it is an essential component to mix in plastic/fiber material (the plastic used in boats etc.)

Cover story used: yes, will be used

Risk: Low, medium risk if you buy everything at once without a solid cover story.

Continuation December log

As already mentioned; I initiated a second steroid test cycle: 3 first weeks on DBOL tabs (40 mg per day). Weight increased from 86 kg to 90 kg. No side effects. Cycle cancelled after three weeks because I felt I had to prioritize other tasks.

Pistol training November, December and January

Pistol training was initiated in order to fulfill the government requirement for purchase. 15 training sessions in November, December and January was completed and documented. The application for a Glock 17 was sent in mid January. Documentation and activity requirement was met. I joined my local pistol club back in 2005 for the first time but have only sporadically attended training until November 2010. The fact that I joined the club as early as 2005 was a planned move to increase my chances for obtaining a Glock, legally.

Rifle training December and January

3 rifle training sessions was completed during this period. The intention was to acquire a minimum of experience with, Gungnir, my semi automatic Ruger Mini 14, .223 caliber and to calibrate my Eotech sights properly at 100 meter distance.

December and January - Rifle/gun accessories purchased

- **10 x 30 round magazines** - .223 cal at 34 USD per mag. Had to buy through a smaller US supplier (who again ordered from other suppliers) as most suppliers have export limitations. An alternative supplier was located in Sweden but it would have cost 1,5 times more. Another possibility would have been to use Jetcarrier (or similar freight forwarder which allows you to order from a US address) but some companies have no-sale policies to New Jersey for this reason. Total cost: 550 USD

From Midway

- GG&G Picatinny Style Scope Base Ruger Mini-14, Ranch only: 95 Euro
- Aimshot Laser Sight and Flashlight Tri-Rail Barrel Mount: 30 Euro (3x picatinny/weaver rail)

- Allen Buttstock Shotgun Ammunition Carrier, 5 round Nylon (mounted on shotgun): 10 euro
- Loctite Blue Aluminum Threadlocker, cost 10 USD on Ebay, excellent for tightening screws on the alu rails used for fastening the holographic sight and 3 x sight.

From other suppliers

- LaserLyte Pistol Bayonet Quick Detachable – a picatinny/weaver rail bayonet purchased from Ebay using VISA/Paypal, cost: 62 USD.
- 4 x 30 round magazines for Glock 9mm from a national supplier, Capsicum Solutions, using VISA, cost: 230 Euro.
- Cammenga Easyloader for AR15/Mini14 from a national supplier, Capsicum solutions, cost: 70 Euro
- Hollow point ammo for .223 from a national supplier, 500 Euro. Had to research and use a cover when buying; bird hunting ftw.
- Slugs ammo for shotgun, 100 Euro, cover when buying; deer hunting ammo.

Equipment needed for creating chemical/biological ammo

- DREMEL Universal tool 200 series (the drill)
- DREMEL Workstation (used for stabilizing the drill in a stable 90 degree position)
- DREMEL Multichuck (allows you to use conventional drill bits on your dremel tool)

Total cost for these three items: 140 Euro from Pixmania.com

- 65mm Drill Press Vice (Quick Release) from Lathe Mill, ordered from Ebay via Paypal, cost: 33 USD (Anchortools.com). This item will hold the cartridge in place while I drill a portion of the lead core out of the bullet.

Note; I have concluded that .223 ammo is not suitable for creating bio rounds. The bullet simply lacks the size required to fit a deadly doze. 7.62 ammo would be preferable as it is more than double the size. 9 mm bullets are ok for this purpose, but I have to wait for my Glock license before I get access to 9 mm ammunition.

Other items bought from Clas Ohlson, general store:

- Manual filing set
- Super glue, used for plugging the bullet after injection
- De-isolation thong that lets you cut of the tip of bullets (looks like a wirecutter)

Other items ordered:

Marketing related

Casio EXZ 330 SR digital camera, for marketing purposes, from Expert, cost: 80 Euro. This would allow me to complete a photo session, without the need to use a professional photographer. I have used a professional in the past but it is obvious that the regalia I intend to use in the photo session will generate suspicion and threaten the security of the operation. Lack of professional digital equipment, green sheet background and other related and expensive photo gear can be compensated by my Photoshop skills.

Operational gear, components and accessories

- Latex tubing/surgical tubing 10" ¼ 1/32 wall latex tubing from Ebay 50 USD, used as the outer layer on a fuse to prevent early detonation.
- Ruger Mini 14 from national supplier, cost: 1100 Euro
- Trigger job on Ruger Mini 14, 100 Euro (bought in October I believe), to make the trigger lighter to press for rapid fire,
- Training ammo: 200 Euro

- Barley Crusher MaltMill with 7 kg hopper, from barleycrusher.com, cost 250 USD incl shipping.

Received the Barley Crusher in January. I haven't yet tested if it works but according to my calculation it should enable me pulverize fertilizer prills at record speed. When you attach a drill using a 3/8 drill motor at 500 RPM it should give you a crush rate of 3 kg per minute making the pulverization process of 2 tons of fertilizer fast and easy. The crusher rollers are adjustable at both ends so they can be adjusted according to prill size to ensure proper pulverization.

Fitness/muscle supplements

- 100% Whey Protein 9kg, cost: 250 Euro, for increasing muscle mass, 100 g per day in combination with training, top ranked protein supplement, short protein
- 100% Casein Protein 2 kg, cost: 70 Euro, for increasing muscle mass, 25 g per day before you go to bed in combination with training, top ranked protein supplement, long protein
- No-Xplode, cost: 50 Euro, pre-workout energy booster, this should also be used 10 min prior to mission
- Milk Thistle Herbal Supplement , 3 boxes, cost: 45 USD, Ebay, needed to strengthen the liver when using steroid tabs (Winstrol/DBOL). As steroid tabs are toxic for your liver you should use this liver supplement (3 tabs per day during a steroid cycle).

Logistic failures

I ordered an ASE Ultra CQB-QM silencer (cost was 800 Euro) for my semi automatic rifle in September 2010 and the supplier, Intersport Bogstadveien, told me it would arrive in early January 2011. In January, the supplier told me ASE had suddenly cancelled all private orders due to the fact that they had just received a large military order... I'm not going to take the chance with a regular non-auto silencer because it might overheat and explode during rapid fire, with the risk of destroying Gungnir. I was not able to find another supplier of semi automatic silencers that could be sent to my country directly from the supplier or by jetcarrier. The only bonus I guess is that by eliminating the silencer aspect allows me to order and equip a bayonet instead. So I guess; "Marxist on a stick" will soon become an exclusive Knights Templar Europe trademark:D.

February

Initiated third steroid test cycle: 3 first weeks on winstrol tabs (40 mg per day) followed by 3 weeks of DBOL tabs (40 mg per day). Weight increased from 86 kg to 93 kg. No side effects. Cycle completed with great success. I have never in my life been more physically fit than I am today. Strength increased by 30-50% which will prove useful.

Creation of marketing movie trailer

Feb 15th to Feb 26th: created a 12,5 minute movie trailer (slideshow trailer) promoting the compendium: "2083 – A European Declaration of Independence". All the slides were created in Photoshop. After 12 days of hard work I can say I am somewhat satisfied with the end result. I would love to make it even better but I really can't afford to invest any more time into this trailer which might never see the light of day... Not happy with end resolution but higher res would just make the AVI file too large for efficient distribution. Was planning to hire a low cost Asian movie guy through scriptlance.com but I have to conserve my funds.

Other social related matters

After 5 years in the Freemasons I was finally accepted for rank 4-5 (it's a combined rank). However, due to lack of time I decided to decline the offer. I told them I would be unavailable until Autumn 2011, due to extensive traveling.

Purchase of containers – primary, secondary and tertiary

To calculate the required size for cylinders (for primary, secondary, tertiary charge housings)

Google for an online Density Mass & Volume Calculator, like the following:
<http://www.1728.com/density.htm>

Mass: 12 gram (DDNP detonator content)

You now need to find the volume and density

Density: example density of water is 915 kg/m³ so density of the primer is approximately 700

Now, with the density and mass (700, 12) you can now calculate the volume

To calculate cylinder volume:

<http://www.online-calculators.co.uk/volumetric/cylindervolume.php>

With these calculations you now know the size of cylinder required for 12 gram primary, 500 g secondary and 50 kg tertiary charge.

Cylinder housings purchased

Primary container (small, fits 12-20 grams)

I bought the primary containers (detonator housing) from a general supply store. It was actually a long alu pipe which I intend to cut into three detonator housings. I also bought screws so that I may create lockable "ends" by using appropriate sized coins (placing two screws above and two below the coin. I was uncertain whether to select alu, copper or steel for the primary container but eventually decided to go with alu.

Cost: 50 Euro

Size: 10 x 1,6 cm (12g)

Secondary container (medium, fits 500-800 grams)

I bought the secondary container (x 3) from IKEA, a metal toilet brush housing, the most expensive and robust alternative they had. I had reviewed various suppliers prior to concluding this transaction.

Cost: 80 Euro.

Size: 30 x 7 cm (692g), alternatively: 30 x 6,5 cm (597g)

Tertiary container (large, fits 50-60 kg)

Ordered 3 x 61L barrels with a removable end cap(tertiary container) from a national supplier (Greif). Due to a minimum quantity policy I was allowed to leech on a main order placed by another company. After 3 weeks the order was ready for pickup.

Cost: 90 Euro

Size: 60 x 30 cm (52,8kg), alternatively: 75 x 45 (71,57 kg)

Fertilizer PP woven bags purchased

I was unable to find a supplier of this product in my country. I therefore ordered 60 units of large plastic bags able to contain 50 kg content (woven polypropylene, waterproof and robust fertilizer type bags, excellent for storage and transportation of chems). Chinese supplier found through Alibaba.com, cost: 50 USD for bags + 290 USD for EMS shipping courier. Paid by Western Union.

Cover story; I contacted 30 companies, a majority of them located in China and explained that I was planning to order 200 000 units per year with intent for distribution in Scandinavia. In this context I wanted to order 60 units for testing.

I don't like lying, but I know from experience that you need a story like this if you want to prevent being ignored. These companies usually just ignore small purchases/inquiries.

I received the 60 units shortly after and they are optimal for their intended use.

Social life and continuation of cover

My best friends; Peter, 31, Marius, 31, Axel, 32, and Martin, 32, are now all in the process of settling down. Peter's girlfriend Pia has a daughter, Mina, from another relationship. They are about to buy an apartment together. He's currently in the process of selling his apartment close to Bogstadveien (not far from where I used to live), probably the best and most exclusive place to live as a bachelor in Oslo. Peter works as a co-captain on a supply ship outside the coast of southern US. He works 4 weeks on, and then has 4 weeks off etc. Although he and his parents fled from Soviet Hungary, they are unwilling to condemn the current cultural Marxist regime in Norway, possibly because they feel gratitude to the regime for welcoming them in the past. Peter loves to discuss politics but he's not willing to take a clear stand on multiculturalism, possibly because he fears a future regime change, in our favour, may jeopardize his legal status. I have tried to convince him that it will not affect Christian Europeans, but he remains somewhat unconvinced. Regardless, he's my closest friend and has been since I was 19. I have influenced him considerably the last few years, and vice versa, but I don't consider him to be a fellow nationalist, as he doesn't really care about anyone except the interests of himself, his family and his friends. This code, or rather lack of code, applies to the large majority of people though, so I don't hold it against him.

Marius lives only 5 minutes away from my home. He's been dating a very cute and nice girl named Christine for a couple of years now. She wants to settle down but he's trying to delay it for as long as possible. He works as a fireman, quite ironic as I will soon ensure he gets his hands full... He has helped me out with my training regime as he is a die-hard fitness/bodybuilding person who has kept a very strict diet for several years. He's a good friend (we've been "on-off" best friends since we were 11 years old - 21 years now)) and I often drop by his house. I guess Marius is the least ambitious of our group as he has traditionally focused all his energy on optimizing his physical and social image in relation to fitness for the purpose of hooking up with as many new girls as humanly possible, often at the same time. I think he has been with close to 1K atm including a Swedish midget:D. When it comes to partying, he's a demi-god and I guess I can call him a master at what he does. His whole lifestyle revolves around having an optimal bad boy Playboy`ish image which includes multiple tattoos, perfectly toned muscles and endless partying etc. That lifestyle appeals' to a lot of guys but few get to live it so fully. From my own experience, such a lifestyle does get very repetitive after a while though and you eventually just feel lonely and empty inside as everyone except yourself settles down. Regardless, he's a great standup guy, and very fun to be around. Just ensure that you keep him at a miles distance away from your girlfriend when he's drunk and it's no problem at all:))

Axel works as a contract lawyer in the Norwegian Defense Department, quite ironically, with the acquisition of military equipment on behalf of the military forces pledged to defend the multiculturalist Kingdom of Norway. He's currently the most career oriented of my friends. He and his girlfriend Synne has just purchased a new 650 000 Euro apartment. Everyone expects her to get pregnant soon as she is 35, he being 32. Axel is a really standup guy and is considerably more interested in high culture and discussing politics in general. Despite of the fact that he knows everything about the current Islamisation process and the indirect genocide of Europeans, he still says he supports "Venstre" (a multiculturalist party known for harsh demonization and vilification of cultural conservatives) but I now suspect he's just saying that to tease me:))

Martin works for one of the more prestigious real estate brokers/developers in Oslo, Selvaag, and has just moved to Drammen with his girlfriend where they bought a house together, not long ago. She's only 22 but has a son from another relationship. I haven't seen Martin much the last few years as he has focused most of his energy on career advancement and his girlfriend.

Me, Peter, Marius and Axel (and a few other common friends) have seen a lot more of each other the last few months as I've had the opportunity to take some time off from the project. Traditionally, I have been the "glue/social administrator" of the gang, but in my absence, Peter has stepped up and has taken initiatives the last years. I still enjoy considerable respect and admiration from them in relation to my past achievements (establishing my company with 7 employees and making my first million at 24 and 4 million at 25-26). I believe, less than 5 self made individuals have accomplished more at that young age in my country. However, they just can't comprehend why I halted my

career at that point, which is understandable. It's not like I can tell them that the only reason I generated those funds in the first place was to fund my current operation...

They, along with my sister Elisabeth, are constantly bugging me about getting a girlfriend as I'm the only one who is still single. I told them I will be dating again from August 2011, as I told them I will be moving to my own place then. I guess it's the easiest way to avoid the social pressure. I also told them that I'm in the end phase of completing the research phase of 4 different business plans, one of which, I said, I will initiate from August. I've told them that one plan involves farming, one involves the design, creation and distribution of body armour with intent to become a supplier for the Norwegian Defense Department, one involves distribution of survival, gun accessories and other security related gear and I have also made hints about the mining project. Controlled distribution of information regarding these projects will potentially help me in the future, should one of them ever manage to stumble across sensitive information. Up until now, there has been absolutely no suspicion from them whatsoever as far as I can tell. I also told them that I'm in the end phase of my book project, which will be concluded by a final publishing tour visiting cultural conservative organizations in Western Europe followed by email distribution to 10 000 cultural conservatives around the European world.

I've also scheduled to meet my stepmom, Tove Øvermo, in March. She used to work as a director in Norwegian UDI (the foremost government organization tasked with approving applications and granting foreigners (mostly Muslims) legal permits). Ironically, UDI is a highly valued target for Knights Templar in Norway as it is an essential tool and facilitator for the Norwegian multiculturalist regime. However, I think she's retired now, so she is currently not in danger of any KT attacks. Although I care for her a great deal, I wouldn't hold it against the KT if she was executed during an attack against UDI, as she used to be a primary tool and category B traitor for the multiculturalist regime of Norway, high treason she should be familiar with. Tove, being very intelligent and committed in the advancement of her own career under the multiculturalist regime, is fully aware that she is a willing and participating subject/tool for the Multiculturalist Alliance in the indirect genocide of Norwegians through the continued Islamisation of Norway. People in her position are just unwilling to make any meaningful sacrifices as her career would be immediately terminated by the regime if she criticized them. Career termination followed by blacklisting and harsh vilification and character assassination is not a price most people of her position are willing to pay. Just like essential NS tools were guilty of facilitating the NSDAP, people in her position are guilty of facilitating the Multiculturalist Alliance. Regime sub-leaders such as her are on auto pilot though, and partly disconnected from reality and thus partly unaware of their own war crimes, since the multiculturalist media is ensuring that the public remain disconnected from reality and the truth. So when I meet her I will probably just end up talking about the usual social BS, to prevent raising any red flags. During our last meeting, I remember we discussed the central aspects of Wahhabism, and I was really impressed with her knowledge on the matter.

I have been storing three bottles of Château Kirwan 1979 (French red wine) which I purchased at an auction 10 years ago with the intention of enjoying them at a very special occasion. Considering the fact that my martyrdom operation draws ever closer I decided to bring one to enjoy with my extended family at our annual Christmas party in December. I brought the other flask to Marius` party a few days later and shared it with my friends. It was an absolutely exquisite experience that will not be forgotten. My thought was to save the last flask for my last martyrdom celebration and enjoy it with the two high class model whores I intend to rent prior to the mission. My interpretation of being a "Perfect Knight" does not and should not include celibacy, although some of my KT peers might disagree with me on this point. I believe that in order to strengthen the resolve, morale and motivation prior to a martyrdom operation, the Justiciar Knight should be encouraged to embrace and take advantage of a significant reward system designed to increase focus and remove any last doubts. A pragmatic approach, which involves acknowledging the primal aspects of man for the purpose of preparing him for a martyrdom operation, should always take precedence over misguided piety, which only increases the chance of jeopardizing the execution of the operation. And I believe the majority of war strategy analysts will agree with me on this.

Continued philosophizing about the future cultural conservative political model, when we, the cultural conservatives, again seize political and military power at one point between 2025-2083

I have been thinking about my post-operational situation, in case I survive a successful mission and live to stand a multiculturalist trial. When I wake up at the hospital, after surviving the gunshot wounds inflicted on me, I realize at least for me personally, I will be waking up to a world of shit, a living nightmare. Not only will all my friends and family detest me and call me a monster; the united global multiculturalist media will have their hands full figuring out multiple ways to character assassinate, vilify and demonize. They will possibly do everything they can to distort the truth about me, KT and our true objectives, and attempt to make even revolutionary conservatives detest me. They will label me as a racist, fascist, Nazi-monster as they usually do with everyone who opposes multiculturalism/cultural Marxism. However, since I manifest their worst nightmare (systematical and organized executions of multiculturalist traitors), they will probably just give me the full propaganda rape package and propagate the following accusations: pedophile, engaged in incest activities, homosexual, psycho, ADHD, thief, non-educated, inbred, maniac, insane, monster etc. I will be labeled as the biggest (Nazi-)monster ever witnessed since WW2.

I have an extremely strong psyche (stronger than anyone I have ever known) but I am seriously contemplating that it is perhaps biologically impossible to survive the mental, perhaps coupled with physical torture, I will be facing without completely breaking down on a psychological level. I guess I will have to wait and find out.

Regardless of the above cultural Marxist propaganda; I will always know that I am perhaps the biggest champion of cultural conservatism, Europe has ever witnessed since 1950. I am one of many destroyers of cultural Marxism and as such; a hero of Europe, a savior of our people and of European Christendom – by default. A perfect example which should be copied, applauded and celebrated. The Perfect Knight I have always strived to be. A Justiciar Knight is a destroyer of multiculturalism, and as such; a destroyer of evil and a bringer of light. I will know that I did everything I could to stop and reverse the European cultural and demographical genocide and end and reverse the Islamisation of Europe.

I guess it is tempting for the many who have endured years of vilification, to just start believing the propaganda and embrace NS fully. However, I remain a staunch anti-Nazi and I blame NSDAP for the situation we are in. Hadn't it been for the actions of the cultural right wing extremists known as the NSDAP our Western European countries would not be dominated by the cultural Marxist extremist regimes we witness today. If the NSDAP had been isolationistic instead of imperialistic(expansionist) and just deported the Jews (to a liberated and Muslim free Zion) instead of massacring them, the anti-European hate ideology known as multiculturalism would have never been institutionalized in Western Europe, because the Marxists would never have been so radicalized to begin with. The cultural conservatives would have been in a very strong and dominant situation today. Western European countries would have had cultural conservative doctrines similar to what we see in Japan and South Korea.

We must keep this lesson in mind. When we seize political and military power in the future; while tempting to unleash hell to avenge all our ravaged and dead brothers and sisters, we must keep in mind that replacing a cultural Marxist extremist regime with a cultural conservative extremist regime will only fail to break the cycle where history always repeats itself. So instead of replacing this tyrannical and extremist multiculturalist regime with an equivalent right wing one, we must think and act pragmatically with a long term objective. We must manage to break the historical "Marxist vs. Conservative" cycle or we risk that the cultural Marxists will emerge as a dominating force again after 20-100 years. As such, we should limit the executions of category A and B traitors to 200 000 in Western Europe. A better alternative than execution of the remaining, the category C traitors, would be to establish a large multiculturalist zone in southern/eastern Europe, perhaps Anatolia, or on other territories which has been invaded and occupied by Muslims. In these newly created zones; the cultural Marxists category C traitors and those of the non-Europeans considered as politically disloyal will be deported to and allowed to live and create their imaginary utopia. A cultural Marxist or a so called "internationalist" does not feel much love for his ancestral country as he believes we are all citizens in a global community. So they should recover easily from the process of being deported to another country.

Norwegian Intelligence Agency (PST) annual estimates - 2011

Feb 28th: The Norwegian Intelligence Agency (PST) just released its annual report on terror estimates in Norway. I have been waiting for this report for several weeks now. Apparently, it's the same expectations as usual when it comes to Islamic terror; imminent danger. However, they then specify that the largest right wing threat in Norway is that a subsidiary of English Defense League (EDL); Norwegian Defense League (NDL) is in the process of gaining strength. They also state, between the lines, that both EDL and the NDL are dangerous and violent right wing extremists that adhere to racism, fascism and Nazism. They conclude that they will ensure that any attempt to further develop NDL in Norway will be harshly suppressed.

I am not surprised that PST makes statements like this as the report has been designed by the Norwegian Labour Party, and does not reflect the views of actual PST operatives. The head of PST, Janne Kristiansen has never even worked as an intelligence officer, and is nothing more than a planted Labour Party agent, placed to lead the PST, against the will of most PST employees.

I know that the above description is nothing more than vile lies, a part of their psychological propaganda warfare against all cultural conservatives. I know this for a fact as I used to have more than 600 EDL members as Facebook friends and have spoken with tens of EDL members and leaders. In fact; I was one of the individuals who supplied them with processed ideological material (including rhetorical strategies) in the very beginning. The EDL are in fact anti-racist, anti-fascist and anti-Nazi. They even have many members and leaders with non-European background (African and Asian). They have worked so hard, and continue to work hard, to keep National Socialists out of the organization, but yet they are strategically labeled as racist-fascist-Nazi-monsters by the multiculturalist authorities. The EDL, although having noble intentions are in fact dangerously naïve. EDL and KT principles can never be reconciled as we are miles apart ideologically AND organizationally. The EDL even rejects taking a stand against multiculturalism which proves that they are even more naïve than Sarkozy, Merkel and Cameron who have all admitted that multiculturalism has been a failure and a disaster for Europe.

KT was formed back in 2002 as a revolutionary conservative movement because we had lost hope that the democratic framework can solve Europe's current problems. The EDL, on the other hand, IS a democratic movement. They STILL believe that the democratic system can solve Britain's problems... This is why the EDL harshly condemns any and all revolutionary conservative movements that employ terror as a tool, such as the KT. And this is why, we, the KT view the EDL as naïve fools, wasting all their energy monkey-screaming to deaf ears while they should instead have focused on means and methods that are meaningful in regards to achieving true political change, in regards to tearing down the multiculturalist regime known as Britain. Unfortunately, the only meaningful resistance at this point in time is to use military force. So instead of monkey-screaming, they should instead focus on strategically demolishing one of the many British nuclear power plants, which effectively would completely cripple the British economy, contributing to creating an optimal climate for significant political change.

Regardless; it is so obvious that the Multiculturalist Alliance feels it is important to label anyone who criticizes multiculturalism as racist, fascist, Nazi-monsters. It makes their job easier, as they can justify harsh suppression methods of all cultural conservatives. The truth of the matter is that the Multiculturalist Alliance and their tools are about to lose this propaganda war. The peoples of Western Europe are not stupid, and they know that less than half of the targets of character assassination are not what is claimed. I'm optimistic about the fact that the MA appears to have managed to paint themselves into a corner, and their false and desperate propaganda outbursts appears, for an increasing number of Europeans, to be stuck on auto pilot (similar to what was witnessed in the Soviet Union in the 70s and 80s). People are in the process of learning the truth about what is going on and the continued desperate propaganda outbursts only makes our job easier. It is not the cultural conservatives of Europe that are the monsters. It is in fact the Multiculturalist Alliance that are the true racist, fascist, Nazi-monsters. It is possible to avoid reality for up to several decades. The Soviet Union is proof of this. But eventually, the truth will be known as you cannot avoid the consequences of avoiding reality.

It is no longer a question IF the MA will crumble but WHEN the MA will crumble. They will lose when the Western European economy shatters, in combination with further Islamic colnoization. And when this happens; the majority of the 340 000+ nationalist militants in Western Europe must be ready to strike hard and without mercy with the objective of seizing political and military power. We still have 14 years (2025) to arm ourselves, so let us continue to prepare for the coming coup d'état. Guns and ammo alone is not enough, you will need quality body armour, com/radio devices, rations and certain survival accessories as well. Chop-chop<3 For those of you who does not want to wait this long, should immediately ordinate yourself as a Justiciar Knight for the KT.

Economic status (as of March 1st)

I decided to sell my dear Breitling Crosswind and my Montblanc Meisterstück pen in January in order to strengthen my operational budget. I was able to sell my Crosswind for 1800 Euro and my pen for 200 Euro.

My remaining budget is now:

In bank: 3750 Euro
In cash: 3750 Euro
Value of car: 4500 Euro
Credit (9 credit cards): 28 750 Euro

Logistical plans ahead (as of March 1st)

I will shortly convert the public listing/definition of my company from regular to agricultural. This will allow me to acquire (rent) and register a farm with accompanying fields. The fields, registered through my company, will give me a specific "farming ID number" which is a requirement for ordering large amounts of fertilizer from the national supplier.

The cover I am using is; test production of sugar beet. I have created a 10 page "business plan" for this purpose, and have familiarized myself with the related terminology. As such, I am soon ready to place "rent ads" in agricultural newspapers, with intent to rent the farm/fields.

As soon as I rent the farm; I plan to move all my equipment to the farm house and initiate the "explosive manufacturing phase". The operation will be executed shortly after the manufacturing phase is completed. Will attempt to initiate contact with cell 8b and 8c in late March.

Remaining items/components to buy;

- Plastic sheeting: 30 Euro
- Alu/wood ramp for loading/unloading truck: 30 Euro
- Fertilizer - large 500 kg bag: 1 x CAN, 1 x N34, 1 x 0-5-17 (for show), repeat after a couple of weeks: 2000 Euro
- Sementmixer – rent or buy: 100 Euro
- Ethanol 96%, x 6L: 30 Euro
- Blue Police – flashing LED light – for one of the trucks: 150 Euro
- Face – splash proof face mask: 30 Euro
- Fork jack – for 600 kg sacks: 200 Euro
- Plastic base for 600 kg sacks (used with above): 200 Euro
- Refrigerator: 100 Euro)
- Freezer: 100 Euro)
- Fume hood: 1000 Euro, not yet decided
- Microballoons, 20 kg
- Glock 17: 700 Euro
- More ammo: 1000 Euro
- Dunnage air-bag for transport load securing (centerload.com), bought from Ebay: 100 Euro

- Straps/net for securing large load in truck, may use alu/metal profiles with screws to support

Manufacturing of Picric Acid/DDNP

Foreword - why the manufacturing of picric acid as a secondary/booster and DDNP as a primary is the most rational approach:

As of 2011; the most popular primary explosive seems to be AP also referred to as Satan's Mother. AP, although quite easy to manufacture, is an EXTREMELY dangerous substance which is likely to cause you great injury or even death. In the guides I have read about DDNP it is stated that this primary is very often disregarded since it is so difficult to make. This is deliberate misinformation as it is simply incorrect (If a chemistry amateur like myself can make Picric Acid AND DDNP on the first try then ANYONE can make it!!!). After merging 4 DDNP guides, I - who has no chemistry experience whatsoever, managed to synthesize DDNP on the first try. I tested the batch, and I confirmed the result myself. I even managed to create the first batch of DDNP with relatively impure picric acid. DDNP is more than 10 times as stable as AP and has more or less equal VOD (velocity of detonation). I even think that synthesizing DDNP was easier than manufacturing picric acid (which is considered to be perhaps the easiest secondary/booster to manufacture). In other words, the only reason you would not want to create DDNP as a primary is because you for some reason can't get access to the materials required. So let's review these materials and some of the equipment needed;

The following should be easy to acquire unless you're called Abdullah Rashid Muhammad...:

Generic lab glassware (EASILY OBTAINABLE): beakers, conical flasks, glass temperature rods etc.

Fume hood and fan (EASILY OBTAINABLE): fume hood can easily be purchased or created using improvisation by using PVC plastic plates, screws, duct tape etc. You can use a 100 euro dust blower as a fan (I did and it worked perfectly).

Sulfuric acid (EASILY OBTAINABLE): PA and DDNP - if you are having trouble buying this in bulk containers then simply buy 15 car batteries (new or used) which should contain approximately 2L of 28-37% sulfuric acid each. Just drill a hole in it (using protective gear) and pour it in a larger container. If you don't need 1,5kg of PA booster and just want to create DDNP primary the required amount of sulfuric acid is less than 3L (which is boiled down to 1L of 90%+)!

Acetylsalicylic acid (EASILY OBTAINABLE): PA - just buy aspirin at any drugstore. There are several brands of Acetylsalicylic acid (aspirin equivalents).

Sodium Nitrate (MODERATELY OBTAINABLE): PA - you can order this at any drugstore as it is an essential substance for tanning/preserving meat. Hunters that needs to process hundreds of kilograms of meat before freezing it needs Sodium Nitrate (1 teaspoon for every 25kg of meat to prevent the growth of bacteria). You can also synthesize sodium nitrate quite easily (as long as you do it outdoors) by using ammonium nitrate (you get this from ice packs) and caustic soda (or was it acetone) if I remember correctly.

Sodium Nitrite (MODERATELY OBTAINABLE): DDNP - you can order this at many drugstores as it is an essential substance for tanning/preserving meat. Hunters that needs to process hundreds of kilograms of meat before freezing it needs Sodium Nitrate (1 teaspoon for every 25kg of meat to prevent the growth of bacteria).

Sulfur powder (EASILY OBTAINABLE): DDNP - you can easily acquire this from aquarium filters or by ordering online. It is an essential ingredient in Wiccan culture/religion so they can't ban it for religious reasons.

Caustic Soda - powdered (EASILY OBTAINABLE): DDNP - you can easily buy this over the desk in all countries.

Acetone - liquid (EASILY OBTAINABLE): DDNP - you can easily buy this over the desk in all countries.

Ethanol (95%) (EASILY OBTAINABLE): PA - you can easily buy this over the desk in all countries. Just buy concentrated sprinkler fluid (blue) used to clean windshields on cars. There are many names for the appropriate compound: isopropanol and butanol are other names. Go for ethanol or

isopropanol if possible. I'm not sure about bio-ethanol sold at gas stations (from pumps) but that may work as well.

Detonator (EASILY OBTAINABLE): there is no reason to make this more complicated than it has to be... by using mobile phone detonators etc. As DDNP is easily detonated by fuse; just order a few meters of regular visco fuse in December during the fireworks season. There are thousands of pyrotechnique enthusiasts doing this all over Europe and most of the shipments get through with little consequence if detected. Just order from a couple of suppliers so that you will get at least one of the shipments. You can also create your own fuses, in which case; just visit online pyrotechnique forums (every country has at least one) for instructions. When creating the detonator skeleton cylinder you can also add a couple of grams of gunpowder (the flaked gunpowder used in shotgun shells are good) layered above the DDNP in the detonator. For most fuses; 1 cm equals 1 second, so if you want 2 minutes delay just use 120 cm of fuse. Visco fuses are excellent for this purpose but there are even better ones at some sites.

General pyrowares: much of the above can also be ordered online from pyro-chem sites. The best are located in Eastern Europe since regulations are less tight.

Conclusion: there is absolutely NO GOOD REASON why anyone (unless flagged by the intelligence agency) shouldn't be able to acquire the above materials and gear WITHOUT detection. The only thing that is holding you back is unfounded fear or laziness! Your fear for detection cannot be justified, unless you have an Islamic name<3

Ingredients needed for 1,5kg of Picric Acid secondary/booster

1. 10 liters of 90%+ sulfuric acid (requires 2 days of labour, cost: aprox 200 euro)
2. 1,6 kg of Acetylsalicylic acid (requires 4 days + 2 days of labour, cost: aprox 1500 euro)
3. 3 kg of Sodium Nitrate (pre-ordered at apothecary, 1 week delivery time, cost: aprox 500 euro). This can also be synthesized relatively easily if you are having trouble buying it.
4. 80 liters of distilled water/distilled ice cubes (cost: aprox 440 euro)

1. 10 liters of 90%+ sulfuric acid

Estimated time required: 1-3 days to purchase the product (28-37%) and it requires 2-3 days of labour to concentrate it to 90%+.

Boiling down 35 liters of un-concentrated sulfuric acid (28-37%) to 10 liters of 90%+ concentration

In order to concentrate sulfuric Acid bought from stores (containing 28-37%) you will have to boil down the liquid. In order to get 10 liters of 90%+ sulfuric acid you need approximately 30 liters containing 28-37%.

I bought a container of 25 liters (28%) from one supplier (supplies car shops etc) and I bought 5 bottles from 3 other retailers each containing 1 liter. I also bought 4 car batteries in case I needed more.

I was uncertain how I should approach the "boiling down process" at first. The guides I had reviewed suggested you use specialty hot-temperature porcelain plates, use of specialty lab beakers, use of cooking stones to prevent sprouting and to use all necessary protection gear. As such; I assumed you needed specialty cooking plates that could reach very high temperatures and that I would need boiling stones and specialty laboratory glassware that could sustain extreme temperatures. Needless to say; the guide was wrong on all accounts! You don't need any of this to concentrate sulfuric acid! Not hot-temperature porcelain plates (any plates will do), not specialty lab beakers (any regular Duran lab beakers will do) and not boiling stones (I tried with boiling stones and it made it harder).

I initially bought 3 induction plates (flat porcelain) but they didn't function as my 2L beakers didn't cover the minimum diameter required for the induction plates to function. I used standard inexpensive lab beakers made from Duran glass btw. I also broke two other beakers made from Duran glass (crushed them to small pieces with a hammer under a towel) in order to use it as boiling stones (to prevent the liquid from sprouting).

As the induction plates didn't work for me I purchased 2 regular single cooking plates; the more expensive ones with iron plates retailing for 140 euro a piece. I had a very cheap single plate from before. Using the boiling stones was a failure for me so I reduced the amount of stones until I decided to remove them all and try without. I was also unsure how to store the concentrated sulfuric acid once I was done boiling. Some sources said glass was required while other said you needed specialty plastic. This was incorrect, as I stored my 90-95% acid in regular plastic bottles, in both 1 liter bottles (the bottles which were intended for 28% sulfuric acid) and 4 liter bottles (bottles produced for distilled water). I encountered absolutely no problems doing this whatsoever (I had them in these bottles for up to 6 weeks).

Boiling procedure

I did the boiling outside using a 10 meter electrical extension cord and I placed the cooking plate on a wooden TV rack I had carried outside. I wore a lab coat with apron with standard nitril washing-up gloves and a 3M half mask with 3M acid filter (nr. 60923 - multifilter). Skipping the stones made wonders and it quickly started boiling (set it on the highest temperature from the start). After 1,5 hours of boiling (concentration at about 70-80%) the more or less unnoticeable water damp developed into thick smoke (NOx gas). After around 2 hours of boiling the smoke was so thick I got really worried that my neighbours would notice it so I quickly cut the power. Even after turning it of it generated insane amounts of white smoke (NOx gas) for 20 more minutes. I then decided I had to do the rest during nighttime, not to attract any attention.

That night, I started the next boiling session with 3 boiling plates at around 21.30 since it got dark at 23.00 when the heavy smoke would begin to generate. I started with 1,8L of un-concentrated sulfuric acid in each of my 2 x 2L beakers and 600ml in my 1 x 1L beaker which was used on my "weaker" plate. I worked from 21.30 to 07.00 in the morning for three consecutive days before I finally was done. End note: I tried to extend the working day past 07.00 on day two which almost ended in disaster. At around 09.00 AM, I was about to put on my hazmat suit and 3M gas mask to start another boiling session when I noticed the neighbour just outside the house entrance. Had I not noticed this in time I would have to explain to him why I was wearing the protective gear, and that wouldn't end well... So if possible, even when on an isolated farm; do the boiling between 23.00-07.00 if possible. No use taking unnecessary risks. I spent 5-6 days on this process considering the fact that I had to combat false information, misconceptions and work out efficient procedures . If I had access to this guide before I started I would have been able to shorten down this process to 2 days.

Additional boiling tips:

- a.** Consider buying 5 or even 6 single cooking plates to reduce the boiling time drastically. Cutting the boiling time in two will drastically reduce your vulnerability to detection considering the fact that you are forced to work outdoors.
- b.** You will quickly learn your "progress" (purity level of sulfuric acid) by evaluating the thickness of the smoke and how many ML has been boiled away. If you start at 1,8L of 28% purity just boil it until it reaches 550ml or so to be sure you have 90%+.
- c.** Unless you are using identical cooking plates you will want to adjust the amount of ML per cooking plate so that you have maximum uptime and so that the concentration reaches 90% on all plates at the exact same time. You will learn this after the first session.
- d.** Let the acid stand for 30-40 minutes after you cut power to the plates by unplugging the electrical cord extender.
- e.** You can store 90-95% sulfuric acid in plastic bottles.
- f.** Concentrated sulfuric acid does not fume or evaporate.
- g.** You don't need to go overboard with protection. It will take 10-20 seconds for 90%+ sulfuric acid to burn through regular nitril gloves (medium thickness washing-up-gloves) and several seconds for it to burn through clothing. Just be rested and careful and you'll be fine. I got several drops on my gloves on several occasions and I just wiped it off with a napkin (napkin quickly turns black) before it could burn through. Avoid the "one-time-use" super thin gloves, even if its nitril. The most important things to wear are regular nitril gloves, an apron and some kind of full face visor. 3M masks are excellent since they prevent fogging on the visor.

2. 1,6 kg of Acetylsalicylic acid

Purifying the aspirin to pure acetylsalicylic acid. All the guides I reviewed, around 8, had flawed or even dysfunctional methods. I had to locate an entirely different method from YouTube which proved to work excellently.

Estimated time required: 4 days to purchase the product in a secure manner (assuming each apothecary has a 2 box cap). You would need to set up an "apothecary route" visiting 20-30 apothecaries in one day, then wait 1-2 weeks for safety and repeat 3 more times the next 4-8 weeks. As soon as you have all the aspirin it will require 10 minutes to pulverize it with a regular stationary or handheld blender and approximately 2 days to synthesize.

Other reagents needed: distilled water, mineral and distilled ice cubes: around 40-50 liters

You will need purified aspirin equivalent to 2,5kg of aspirin tabs/270 boxes of 20 tabs (mostly containing 440mg (producer: Nycomed, brand name: Globoid) but about 1/6th was a different brand containing 500mg tabs (producer: Bayer, brand name: Aspirin). You will be synthesizing 1,6 kg or more of pure acetylsalicylic acid from 2,5 kg of impure aspirin tablets. The reason you need to purify the aspirin is to remove the 17% of so called "fillers", starch etc. The maximum yield of pure acetylsalicylic acid you can extract from aspirin is 83%, if I remember correctly. I managed to extract approx 67% (1,68kg out of 2,5kg) which is a good yield. It's worth noting that all the guides I could locate online were either incorrect or significantly flawed. All the guides I read failed to inform me that if you heat the aspirin to more than 70C it will destroy the acetyl and convert it to salicylic acid which is worthless for our purpose.

Of course, I had to learn it the hard way and managed to create a lot of worthless goo... Fortunately, I eventually managed to locate a method that worked optimally and I only ruined the first batch.

a. Grinding the aspirin; some retarded guides suggested I use a mortar and pestle... Needless to say, after a few hours, my wrists hurt like hell, and I realized this was an extremely poor method for the quantities I was working with. There must be a better way? I ended up experimenting and I found a very nice method. I put out a large plastic sheet on the floor and poured approx 1000 tabs on it, spreading it evenly. I then used a 20kg dumbbell (single hand weight used for weight training) and crushed the tabs with even strokes by using gravity. It took me less than 4 hours to crush all the tabs. In retrospect I realize that using a blender would be even better. Providing you use a blender (I prefer stationary, but I guess handheld works as well) which assures a good and even spread/circulation as you grind them (same principle as when grinding AN prills) it should only take you 10 minutes to grind up 2,5kg of aspirin tabs. It's worth buying several brands of blenders to find out which offers the best circulation. Basically; only 1 out of 5 blenders offers appropriate circulation. Handheld blenders are probably the exception here since your motion determine the circulation, providing you grind it in an appropriately shaped container. With circulation I mean that as the lower part of the tabs gets grinded to fine dust, the heavy pieces of the tabs rise to the top until they are "sucked" down the "downward whirling current" - providing optimal grinding. I bought a total of 8 different blenders and only 2 of them worked efficiently for this purpose (at least for AN prill grinding). When completed; you now have 2,5kg of fine aspirin powder.

b. Manufacturing method

- 2,5kg of aspirin powder
- 5L of 95% ethanol (you can use the concentrated blue ethanol used for cleaning the windshield of cars for example, other types of alcohol works as well like isopropanol or butanol)
- Distilled water, distilled ice cubes: 40-50L

You will need 1ml of 95% ethanol for every tablet. This means that for 50g of aspirin (114 tabs x 440mg) you will need 114ml ethanol. Since you have larger quantities of materials you should use higher ratios as an effective way to save time:

I used the following ratios when manufacturing (these ratios are optimal!):

- 1040ml ethanol (I used primarily Isopropanol, 80-95% concentrated blue sprinkler fluid)
- 400g aspirin powder
- 6L distilled ice water

Alcohol note: I believe I used 95% concentrated sprinkler fluid: ethanol-Isopropanol (the liquid used for cleaning car windshields) but it might have been lower grade (80%?). I can't know for sure since it wasn't specified on the bottle. I performed a fire test and it burned, that's all I know...:P I also made a batch with butanol (concentrated red spirits used as a fuel for some apparatuses). Since this batch was successful as well, I assume a large range of alcohols will do the job. However, I have read that methanol is not suitable.

- 1.** In a 2L beaker, heat up 1040ml of 95% ethanol on a hot plate stirrer. Drop a spin bar in the beaker and start mixing in 400g of acetylsalicylic acid powder, under stirring, for example as the temperature reaches 50C. Very important; keep the heat between 60-70C. Do NOT let the heat surpass 70C as it will start to break down the acetyl and convert the compound into salicylic acid, which is useless for our purpose! The acetylsalicylic acid should be dissolved within 5-10 minutes if it is powdered, 10 more minutes if it is clumped, and up to 45 minutes if you are using whole tablets.
- 2.** Filter hot, for regular gravity filtration you should use 4-6 funnels with 1-2 coffee filters in each (I used 1 but you should probably use 2) over for example 4-6 x 600ml beakers. Wash the 2L beaker with a small amount of ethanol and pour it through the filter to collect any residues. Then you may wash the filter 1-2 times with a small amount of ethanol to collect any residues. The compound left in the filter will be the aspirin fillers. Discard the filters and its content.
- 3.** As you now have approximately 1,4L of ethanol-acetylsalicylic acid in your 2L beaker; pour 350ml into 4 x 2L beakers.
- 4.** Place the first 2L beaker with hot 350ml of ethanol-acetylsalicylic acid mix into an ice bath. As an ice bath container; you may for example use a regular 10 liter plastic bucket (a 2L beaker fits this type of bucket perfectly with enough space for ice) filled with 0,5 liter of cold spring water and 3-4 plastic-pocket-sheets of distilled ice-cubes. You must use a weight of some sort to keep the 2L beaker submerged in the ice-water mix or it will float to the surface and fail to properly chill. You must now measure out approximately 5 times the volume of your ethanol-acid mix in ice cold distilled water that you cooled earlier. So for 350ml you will need 1750ml of distilled ice-water (very important; ensure that the distilled water is as cold as possible or you will not achieve maximum yield!). Add the ice cold water to the ice cold ethanol mix. This should more or less completely fill up your 2L beaker. The addition of the distilled ice-water will cause the acetylsalicylic acid to precipitate as it is insoluble in ice cold water.
- 5.** Now filter the white slurry by gravity filtration using 6-10 funnels/filters/ 500ml beakers. You will obtain a white slurry-like compound in the filters. Remove the filters and its content, by wrapping them (so that the contents doesn't fall out) and temporarily store them in a large plastic box. Empty the beakers (just pour the liquid in the sink) and get ready to repeat this process as soon as possible with your 3 other 2L beakers filled with 350ml of hot ethanol-acid mix. Try to complete the batch while the ethanol-acid mix is still hot as it might impact the yield if the hot ethanol-acid mix is allowed to chill to room temperature. I used more than an hour from start until I completed the last beaker and I didn't notice any difference regarding the end result though.

Note:

- If you follow the above "aggressive" manufacturing method you should be able to complete all the batches (1,68kg total) within one single day of labouring.
- I managed to achieve a 67% yield (1,68 kg out of 2,5kg aspirin) because I was a bit sloppy when chilling the ethanol-acid mix (did not use weight to keep container submerged, and I could probably have chilled the ice water even more). If it hadn't been for that I would have managed to increase my yield.
- The guide further suggest that you purify the acetylsalicylic acid a second time. I did not purify the acetylsalicylic acid. I do not know how this would impact PA production. Will the picric acid yield achieved be lower or even significantly lower if the acetylsalicylic acid isn't purified a second time?
- Alternatively; you may use vacuum filtration for speed if you have the equipment.

This method - further discussed:

1. This document is the property of the author and is not to be distributed without their permission. 2. The author is not responsible for any damage or injury caused by the use of the information provided in this document. 3. The author is not responsible for any legal consequences arising from the use of the information provided in this document. 4. The author is not responsible for any loss of data or information caused by the use of the information provided in this document. 5. The author is not responsible for any loss of time or money caused by the use of the information provided in this document. 6. The author is not responsible for any loss of reputation caused by the use of the information provided in this document. 7. The author is not responsible for any loss of income caused by the use of the information provided in this document. 8. The author is not responsible for any loss of health caused by the use of the information provided in this document. 9. The author is not responsible for any loss of life caused by the use of the information provided in this document. 10. The author is not responsible for any loss of anything caused by the use of the information provided in this document.

c. Gathering and drying

I chose to store wrap up the coffee filters containing the wet acetylsalicylic acid in a large plastic container until I was ready to process it.

I placed the filled filter papers on a super absorbent rag 5 times to get out most of the water. Afterwards I gently squeezed another rag on top of the papers absorbing even more liquid. I then used a plastic board, opened the seaming on the coffee filters and flattened them out like a pancake scraping off the content using a rubber scraper (the item used to evenly distribute cream on cakes is optimal).

After I had scraped out all the acid from the filter papers I spread the substance out evenly on the plastic board and placed the board in a room with an oven set to max. The temperature rose to around 30 degrees in the room. The day after much of the water had evaporated. I then semi grinded the acid clumps and again spread it out evenly. After three to four days the acid was completely dry. Note: I'm not sure whether this is optimal way of drying as it takes several days for the acid to dry this way.

It would probably be a better idea to dry the acid in a large glass Pyrex dish in the oven at around 50-70C. 1,6kg would be too much for one dish so you would in this case have to divide it into 400g batches. However; I do not know for sure how this will impact acid, which is why I chose the hard way. It is definitely worth testing though as you will save several days drying it in the oven versus my other method.

You now have 1,6kg of acetylsalicylic acid and you have just completed the second most tedious task of PA manufacturing.

3. Sodium nitrate

Sodium nitrate can be purchased from specialty chem stores, online or at an apothecary. It is commonly used to prevent bacteria growth in meat so many hunters buy it to prepare meat before freezing. Half a teaspoon is mixed with salt and other herbs and rubbed into 25kg of moose meat for example.

Alternatively; you may synthesize sodium nitrate relatively easily. However, I will not add the guide for this manufacturing method here.

4. Distilled water

Always use distilled water when preparing and manufacturing acetylsalicylic acid and picric acid. You may buy it in car-stores as it is used as battery water. I ended up buying a total of 170L for creating 1,5kg of picric acid.

Practical tips - preparing large quantities of ice cubes: acquire a big freezer where you can store a lot of distilled ice (you fill the plastic "pocket sheets" with distilled water and squeeze the frozen cubes out of the plastic as your need arises). I converted 40-50L of distilled water into ice cubes this way (took me about 10 hours) and I filled up a large freezer for this purpose. You can only prepare smaller batches of ice cubes at a time though as you can only stack 2 layers of plastic ice-cube sheets at a time. Then you will need to wait 30-60 mins for it to freeze or the weight of the water will cause leakage in the lower levels of ice cube sheets. I also prepared ice cubes made from spring water. Just mark the plastic sheets of mineralized water with a large black X, from a permanent marker, on each side, prior to filling, so you know which sheet contains distilled and which contains mineralized water.

Producing Picric Acid

Now that you have prepared 1,6kg of acetylsalicylic acid and 9-10L of 90%+ sulfuric acid you are halfway into manufacturing picric acid.

See guide

I used the following measurement for creating PA. I had a negatively disproportionate amount of sulfuric acid so I used a little more acetylsalicylic acid and sodium nitrate.

In a 1L conical flask I heated 600ml (700 is optimal) of 90%+ sulfuric acid in a 1L conical flask up to 60C. I then, over the next 2-4 minutes mixed in 112g of acetylsalicylic acid under stirring (using a hotplate magnetic stirrer). I then turned off the heat as the nitration would ensure enough heating.

I then started the nitration process (adding 190g of sodium nitrate slowly the next 140 minutes. I added 0,3g each 15 seconds for a total of 1,2g per second making sure to keep the temperature between 60-70C. I kept the temperature at around 66C to be precisely. Keeping the temperature stable at around this heat is essential. After about an hour I had to turn up the stirring power to max as the liquid thickened.

After 140 minutes the solution was fully saturated (even though I had 24g of sodium nitrate left) and it "bloomed". Blooming is like a reversed melting process in which the solution solidifies and no amount of stirring can stop it. I do not know for sure if this is correct as I have never seen a guide describing it. Regardless, I kept on stirring every 5 minutes for the next 30 minutes, and then every 10 minutes for the next 30 minutes to prevent the increasingly "growing" substance from overflowing. This was one of my "successful" batches which contained approximately 40-50% pure PA crystals. 80% of my batches "bloomed" in this manner. It took around 4-5 hours for the container with the unpurified PA to reach room temperature. The 1L conical flask was 800ml full. At this point, I could continue the process by slowly scraping out 400 ml of semi-clumps of PA into a 2L beaker with 500ml of distilled water and the rest distilled ice cubes (filled up to 1400 ml). After proper precipitation I poured it into 6 x 500ml beakers with the same amount of funnels/filter papers, saving the filtrate and pouring out the liquid into a 100L plastic bucket (which was later to be dumped near a death-sentenced-bush, outside:)

Corrections to previous guide based on my own experiences and research while producing 10 batches of unpurified PA. When I first started this production process I assumed I would end up with a relatively pure end product, perhaps 70-80% pure after washing a couple of times. Needless to say; it was significantly more time consuming than I thought and I had to learn the hard way due to significantly lacking and even misleading guides. The positive surprise though, was that handling PA was significantly safer than I thought. I started out as overly careful as regards to PA and metal. Although you have to be careful, know that PA is perhaps the most safe booster you can work with. Unpurified PA isn't, in most cases, even flammable. So you don't need an exceptional fume hood and fan. An improvised version will work just as well for this purpose. After I had bought a fume hood I invested in two fans, one cheap version (it was actually just a dust collector suction fan) retailing for 140 euro. I also invested in a much more expensive fan (especially manufactured to prevent explosion) retailing for 950 euro. It would seem I was way too paranoid as the only dangerous gas you ever need to worry about when manufacturing PA or DDNP is the NOx gas during nitration and also H2S and SO2 during DDNP manufacture when acidifying the sodium picramate solution but these gasses aren't explosive at all. I was somehow worried that the anti-metallic nature of PA would prevent me from using a metallic fan-tube. However, using one is not a problem at all as all the PA remains in the beakers. So don't worry at all about explosive gasses cause there aren't any. And you don't need a hazmat suit either. Just use regular nitril washing-up-gloves and a good 3M face mask with visor and acid filter/vapor gas filter (nr. 60923 - multifilter) and you're more than fine.

A few guides states: after you mix in the acetylsalicylic acid with the 90%+ pure sulfuric acid, slowly mix in the sodium nitrite. A few guides did not even specify in more detail than this.

1. What many guides failed to mention and which I had to learn the hard way after ruining several batches; it is ESSENTIAL that you do the nitration (mix in the sodium nitrite) between 60-70C. I found out that if you mix in the sodium nitrite below 60C some of it turns into a layer at the bottom of the conical flask which grows ever thicker. This layer can potentially sabotage and ruin your whole batch. If the temperature suddenly rises this layer may suddenly "melt/loosen" and cause a nitration "overdose" as it mixes with the rest of the content which may increase the temperature with up to 20C within minutes and severely deteriorate the yield of the batch. This layer may also

affect the magnetic stir bar and cause it to not stir properly. So make sure you prevent this from happening by keeping the temperature around 65C and never let it drop below 60C.

2. What ALL the guides failed to mention was the fact that the addition of the sodium nitrate increases the temperature of the content. So basically; as you start the nitration just after you add the acetylsalicylic acid at around 50-60C, you don't need any heat at all during the process as you can keep the heat between 60-70C by adding sodium nitrite (or potassium nitrate). Rapid heat fluctuations is the most severe threat to your batch and temperatures above 70C (not exactly sure about 70C perhaps 75C) will deteriorate your batch and cause a significantly lower yield. By deteriorating I mean lowering your yield of pure PA crystals from an optimal 50% down to 10% in a worst case scenario.

3. What all except one guide failed to mention was the importance of the glassware you are using. I used 2 x 1L beakers and 1 x 1L conical flask. All of my beaker batches ended up with a very low yield for the following reason; the magnetic stir bar works significantly better in a conical flask. I had problems in the beaker as the stirring was significantly reduced (even at max power) due to the shape of the container and the fact that I had a glass temperature rod which very presence significantly reduced the stirring output created by the stir bar. In any case; use a conical flask instead of a beaker if possible.

4. On my most successful batch I used a 1L conical flask with 600ml of sulfuric acid (90-95%). On average; I added 1,2g of sodium nitrate per minute (for my two most successful batches). Instead of dropping 1,2g in one go each 60 sec, I added approx 0,3g every 15 sec (in other words 4 times x 0,3g per minute). I sat there for 2 hours and 15 minutes doing that on my most successful batch (with 2 x 5 minute breaks). You can imagine the agony of sitting there with a 3M gas mask on a rotten chair with your back hurting adding 0,3g every 15 sec. Its repetitive, extremely boring and frustrating. You will start to curse the fact that you didn't set up a TV nearby, or the fact that you only bought one hot plate stirrer instead of three. The prospect of doing this 10 times can be psychologically challenging. So take all measures to make your time more efficient. I managed to barely survive with my sanity intact thanks to my iPod<3

5. Acquire 3 x hot plate stirrers if possible. The nitration process is an extremely tedious and frustrating process. With three hot plate stirrers you can add 0,3g in three separate conical flasks speeding up this bitch of a task 300%. A hot plate stirrer retails for 300-500 euro so its affordable. Also, its less suspicious to buy 1 than 3:) as three mostly indicates that you are going to resell them<3

6. Creating PA proved to be a very unforgiving manufacturing method. Several things can go wrong, and most of these things relate to impatience -> too much sodium added per minute -> temperature rising to fast f example; I took a break a couple of mins too long and came back to see the thermostat at 59C. I tried to compensate with a little extra sodium nitrite, which didn't seem to have any effect on the temp. I added more and suddenly the temperature exploded and ended at 81C. A couple of other times I got too impatient and added too much per minute (although at the time I believed that a temperature above 70C wouldn't make a difference - I eventually learned that it makes all the difference). You need to be rested and focused before you begin this process (I was exhausted on several occasions which made me lose focus a few times and thus ruin the batch). As long as you focus and add the sodium nitrite 2-4 times per minute x 0,2-0,4g you should be fine.

Prepare mentally for the nitration process. Don't start if you are physically tired or if you need to eat any time soon. Just prepare and if possible have a radio, TV or iPod at your disposal.

7. Don't assume that the precipitate you end up with will be above 60% purity. Consider the precipitate you end up with grapes, whereas the actual pure PA crystals are the seeds in the grapes. If you do the process flawlessly the seeds will be large, but if you make mistakes, they will be significantly smaller. This will save you the disappointment I encountered:-). Out of 1,2kg of unpurified PA substance I ended up with only 200-300g of pure PA crystals. Had I done everything optimally I would have ended up with 1,5kg of unpurified PA substance and perhaps 0,8-1kg of pure PA crystals.

8. You can mix in the acetylsalicylic acid quickly. I never spent more than 5 minutes mixing it in, in the beginning of the process. As soon as you have mixed it in and it has fully dissolved you can start the nitration process. I usually mixed it in at around 60C and started the nitration process at around 60-65C.

Washing

It says in most guides that you need to wash with ice cold water 2-10 times. Basically, if you want to do this; just pour water over the filter to clean away sulfates. However, as you need to purify your yellow PA substance anyway, it is pointless to wash it! As I didn't know this at that time I washed the PA-substance 2 times, and the batch intended to create DDNP; 4 times.

How to find out whether your yellow unpurified PA substance is pure

Fire test: Purified (<80%) PA burns, unpurified PA (>60%) does not! I would imagine it would burn faster and more consistent the purer it is. I tried the fire test on all my batches of un-purified PA substance and none ignited, not even my best batch, even though I heated it until completely dry in the oven. I would therefore assume that you need a certain % of pureness for the substance to ignite - perhaps 50-60%+

Eye sight: I found this out myself by observation of substance and comparing to the yield achieved by the purification process. The more pure your PA substance is the more it will "sparkle". It is the pure PA crystals that make it sparkle. Needless to say; the more crystals, the more sparkles. Usually, an optimal produced batch of unpurified PA substance is pale yellow that "sparkles". It's worth noting though that one of my pale yellow batches had a very low yield so color isn't everything and 100g of pale yellow PA substance can in fact prove to yield less than 20% of pure PA crystals.

IMPORTANT: DO NOT assume that your unpurified PA substance is suitable as a high explosive booster! On my test blast I used 3g DDNP with 50g unpurified PA substance as a booster. At this point in time I believed it was potent but wanted to test for sure. Needless to say, the completely dry impure PA substance did not detonate and was just spread all over after the blast. I later (when I purified the rest of the same batch) found out the yield in that batch was a lousy 10%, so no wonder it didn't detonate.

Purification

Time required: 3-4 days for 1,5kg of unpurified PA substance.

Purification of the yellow unpurified PA substance is required as you need to be sure that the substance is potent. You will need approximately 40-50 liter of distilled water to purify 1kg of unpurified PA substance. You also need a 2L beaker for boiling/mixing and 20-40 other glass containers for chilling the liquid after the boiling/mixing. The chilling process will take up to 1-2 days so unless you have enough time, you should get A LOT of glass containers, to do everything in 1-2 batches.

Boil up 1,3 L of distilled water (70-80C) in a 2 L beaker. You don't need a hotplate-magnetic stirrer for this as a limited amount of stirring is needed. In fact a regular plate would go considerably faster since it heats up faster.

Start to dump in the unpurified yellow PA powder (powdered or clumps - around 50 g, exact weight isn't important). If the amount doesn't saturate the liquid you can put more in, until it is no longer soluble and bits of PA floats around. Just ensure everything dissolved before you go to the next step. Have a container of 500 ml additional water nearby and add it once you need to dissolve the insoluble PA. You can regulate the temperature somewhat with adding additional water to ensure the temp doesn't exceed 80C. I don't know for sure whether temps exceeding 80C will deteriorate the PA but I read from another source to keep temp between 70-80C so no harm following that advice. It said another place to remove the brown oil droplets. I tried this in the beginning with a plastic spoon but noticed that it impacted the yield of pure PA as I also removed some pure PA floating around with the droplets. I only noticed the brown droplets in my first batch which was very poorly made, but not in the other batches. There will hardly be any so just ignore this altogether.

1 L of liquid is saturated with 15 g of pure PA so this fact allows you to measure the yield of your yellow PA powder and the number of grams you can expect to purify. 50g of yellow PA powder in my case yielded from 10-50% of pure PA crystals. My poorest yield was my first batch. 300 g of PA

powder was almost inert and yielded only 30 g of pure PA crystals. The other batches of PA powder was a better yield ranging from 15-50%.

When the liquid is saturated (you should have 1,8L of PA liquid), filter hot into glass containers. Filtering hot is not very important unless your PA powder is very unclean, like my batches (it was everything from bugs to other small impurities like pieces of plastic). I filtered 1,8 L into 4 x 500 ml beakers but since I only had 10 of these beakers I eventually started using all types of glassware. Since the crystals (when cooling slowly) "grow" slowly like bacteria I assumed using items which they use to boost bacteria growth would work in these cases as well. I experimented with various glass containers, different shapes and sizes. I used flat, long (long drink glasses), small, with everything from glass rods and plastic sucking straws in.

My findings were not 100% conclusive, in fact I'm still very uncertain, but I got the impression that certain shapes and sizes will allow for a greater yield. Smaller containers seemed better than large containers and adding plastic sucking straws so the crystals got more "surfaces" to grow from was a slight bonus. Beakers larger than 600ml yielded a lower result. I ended up buying 18 long drink glasses (each 300ml) which yielded an ok result. I was surprised to learn that the best yield was from a large circular glass bowl (5 liters) which I placed 1 liter of liquid in. It was an unclean bowl I had previously used to store my bananas in (in a plastic bag). In any case; the yield of pure PA crystals was 100-200% better than in other containers. I do not exactly know why; perhaps it was the dust particles in the bowl or possibly bacteria that promoted the increased growth. In any case; it indicates that the described purification method is flawed and the issue is worth investigating further. For obvious reasons, I don't have time for more research into this issue. Also keep in mind that larger glass containers uses considerably longer to cool (several extra hours).

Cool the two 600 ml beakers to room temp. For a 500 ml beaker this took 4,5 hours and a few hours extra for the 2L beakers. I notices, however, that when I let the beakers sit overnight (for a total of 12 hours) there was considerably more PA crystals generated. However, I do not know for sure if this will impact the total of crystals generated after you have further cooled it down in the fridge.

When the beakers and other glassware you might have used are at room temp (don't hesitate to let it stand for several extra hours, perhaps up to a day or two, after it has hit room temp) - then, put the beakers in the fridge. It said in another guide that I was to put it in the fridge for one hour but I'm pretty sure he meant that I chill the liquid down to 4C. Considering that I was purifying 1kg of unpurified PA powder and I had A LOT of beakers and other glass containers, it took 12 hours in the fridge for the beakers to reach 4C (since the room temped containers raised the refrigerator temperature from 4C to 12C within the first hour...:-) So, if you have a small fridge, like I did, consider chilling the containers in a "transit location", if possible, in order to shorten the "fridge time". I used the cellar floor which holds 8C. This saved me a total of 36 hours of "fridge time". Filter once the liquid hits 4-5C (perhaps we can even increase generation rate if we let stand even longer. I am really not sure about this but it is worth investigating further.

The other guide said: scoop the crystals out of the filter. However, I like to save the crystals in the filter until I have a large enough batch to process as it maintains the moisture well and keeps it cool. I also like to process the filter papers all at once by using a 2m x 1m plastic board. I open the "seam" on the coffee filter papers and flatten it out like a pancake. Then I use a plastic/rubber spoon like object (the item used to smear cream on cakes) to get all of the content out.

Storage

When you have taken out all the crystals from the filters, put them in a plastic box and keep them with at least 20% water content (no problem if you take them out of the moist filters - newly moist filters = aprox 100% water content).

These should be used within 2-3 weeks or they may start to deteriorate and/or may increase sensitivity and thus become more dangerous to transport (according to another guide). If you store them saturated with alcohol in a sealed glass container, you can basically store them safely for 100 years +.put in oven for an hour.

Drying before use

Dry in oven for 30 mins to 4 hours based on water content between 50-80C before use. I dried the unpurified PA substance in the oven (no problem) but haven't yet confirmed with pure PA crystals.

It should be safe because I dried DDNP in the oven the same way, which should be considerably more sensitive.

Preparing 1800kg of AN prills (CAN 27-0-0)

There are large 300-600L diesel tanks in most farms (for fueling the tractor) so just call the supply company and order the required amount of diesel. My 300L tank was almost half full so I ordered an additional 150L this way. I also bought 5 x 20L gas tanks to transport the diesel from the equipment building (where the diesel tank was) to the barn cellar (where I was going to manufacture the ANFO). Since a 20L plastic tank is too heavy to handle efficiently I poured the content into 5 x 4L plastic bottles which I had leftover from all the distilled water used previously.

When you make the order at your local farming supplier (the supplier near the farm you are renting) you should order twice as many "dummy fertilizer". Obviously, before you can make an order in the first place you need to register a "farming company" and acquire a "producing number" from your government. In other words, you have to register as an "official farmer" or you will not be able to make an order from the farming supplier. You should also have enough farming land to justify the order you are placing. 50-90 decares (5-9 hectares) should allow you to easily justify the purchase of 4-5 tons of fertilizer whereas half being CAN 27-0-0. If you do not take these precautions there is a chance you may not pass the scrutiny of the farming supplier as red flags will arise. Also, for example when you order 3 x 600kg bags of CAN27 you should also order at least 3 x bags of the two other types of fertilizer. I ordered 5 x 600kg bags of CAN27 and 5 x of 600kg "dummy bags" which proved to be too much for one person to process.

I then told the office to place the CAN inside of the equipment building and the rest outside. The supply truck uses a "hook" that can place the bag in a 3m radius of the truck. The positive thing about this is that I could close the building sliding door (3 x 3m) and further process the AN without anyone outside noticing.

I then brought 14 x 50kg fertilizer bags (previously ordered from a Chinese company, the bag has two layers, a carry layer and an inner plastic bag that prevents moisture getting in or out) and filled up the bags, transporting them to the barn basement by car (the barn basement is 100m away from the equipment building). When I had emptied 3 x 600kg bags I had around 36 x 50kg bags which I had transferred to the barn basement. Don't worry about water absorption at this point as the prills have a layer that prevents the prills from absorbing liquid.

I bought several different blenders (both stationary and handheld) and found a suitable machine, which I bought 8 of. This blender, a stationary Electrolux machine with an ice crushing function offered optimal circulation of grinded material vs. prills which allowed me to grind 1kg every 30 seconds. I set up 4 of these blenders 5cm from each other on a work bench with an empty 50kg fertilizer bag next to a bag filled with 45kg of AN prills (placed just below the 4 blenders so you can empty the blender glass containers quickly and pour it into the empty bag). You fill up each blender and put it on the lowest strength grinding (you don't really need more grinding power than this and higher power will most likely wear out the blenders considerably faster). I made a nice rotation ensuring that the uptime of the 4 blenders. I then prepared 12 x 4L containers of diesel close by. Although ANFO requires 7% diesel for optimal detonation you should add 10% or perhaps even 13% like I did to account for any evaporation etc.

As you crush the prills to fine powder it will immediately start to absorb water from the air, so as soon as you have grinded a portion you must hurry to pour the content in the empty bag. Once I had filled up 1/4 of the bag I added 1,7L of diesel, before continuing. You add approximately 1,7L at as you fill up the bag with 1/4, 2/4, 3/4 and 4/4. When completed I wrapped the inner bag (like the way you make a pig tail on hair) and closed it with 10 cm of duct tape. Then continuing to wrap, I left 2 cm of empty space before doing the same again. I then bent the upper wrapping down on the lower wrapping and closed it with more duct tape. I then wrapped the outer bag with two portions of 20cm duct tape. I don't know for sure if this is optimal, but I couldn't think of a more efficient way to seal the bag properly. After I had grinding 600kg of prills the first blender broke down (the knife handle broke). The second machine broke down shortly after. I replaced these with the backup blenders and continued until I was done preparing 34 bags x 50kg ANFO. By that Time 3 blenders had completely broken down and one more was partly dysfunctional.

Time required to prepare 1 x 50kg bag of ANFO using the above method

It took around 30-40 minutes to prepare each 50kg bag of ANFO. So I spent around 3-4 nights (from 23.00 to 8.00) working this way until I was completely done. I chose to work at nighttime because I wanted to do everything I could to prevent detection. I covered the windows and closed the door on the inside (I had to install a closing mechanism on the door). Due to the loud noise made from the 4 blenders you can't really hear anyone approaching so I wrote a note on the door of the main building which encouraged them to call my mobile if they needed my presence (add a smiley<3). This work is very tedious so I had my iPod on for most of the time at max volume. I took a 5 minute break for every 2 bags I completed (so basically every 120 minutes). Occasionally, I would have to drive to the equipment building and fill up my 20L diesel containers.

I originally planned to process 2 more 600kg bags of AN prills but I was so exhausted that I decided 1800kg would have to do.

Mixing in aluminium powder and micro balloons in the ANFO

Adding 10% (by weight) of aluminium powder and 2-3% (by weight) of micro balloons will increase the sensitivity and power of your ANFO substantially. Considering the fact that we do not have access to 34-0-0 (much purer AN) I assumed adding at least the micro balloons would be required to ensure detonation.

Considering the fact that AN powder will absorb water so quickly I concluded that it would be appropriate to add the AL and MB after I had saturated the AN powder with diesel.

You now have around 36 x 50kg bags packed with ANFO

Adding aluminium powder and micro balloons

Commercial ANFO contains approximately 2-3% of micro balloons according to a couple of sources, which makes the ANFO more sensitive and thus requires only a standard blasting cap to detonate. However, commercial ANFO is much purer than the 27-0-0 CAN available to farmers.

I'm now going to mix in the AL and MB using:

45kg of ANFO
5kg of AL (I'm using 400 mesh(62 microns) leafed AL
1,2kg of micro balloons

For a total of 51,2kg per bag

The 150kg of AL came in 4 hermetically sealed drums each containing around 37kg of AL. After reading the "security precautions", however, I was completely freaked out. The drum openings were welded with a soft metallic substance so it was not going to be easy to open them without extreme risk (I thought). According to the warnings; contact with oxygen will risk detonation of the AL, contact with metal, concrete and even plastic will significantly increase the chance of static electricity which can cause a detonation. Friction and shock can also cause detonation. Close proximity of oxidizers (gas, diesel) or close proximity to electrical outputs etc can cause detonation.

At first, I thought I would manage to create enough picric acid booster material (1,5kg in total) to disregard the addition of AL powder. But considering the fact that I only managed to produce 200-300g of booster I had no choice than to continue the AL addition.

I first planned on creating an outdoor mechanism that allowed me to thrust a steel spear like object, by using gravity, creating a 3 cm hole in the top of the drum. However, I ended up taking a regular knife and starting to file down the welded enclosure, even if it involved high risk. Eventually, I manage to file open the enclosure. I then considered putting the drum upside down in one of my empty fertilizer bags to prevent the presence of an abundance of oxygen.

This method proved to be too exhausting since I had to hold up the 37kg drum with my hands. I ended up with putting a large 3 x 4m plastic sheet on the concrete floor and carefully pouring the AL powder out of the opening. Small clouds of dust began to generate but nothing happened. I

carefully continued until the drum was empty rolling the side of the drum in a circular pattern from the center of the AL powder already poured out, until the drum was empty. There were small clouds of AL powder generated but the biggest one was approx 20 cm in diameter, which settled down after a while. I continued after the small clouds had settled. It's also worth noting that I had closed all the windows of the cellar basement so the humidity was relatively high, while oxygen level was below average.

In any case, this method worked well and I had gathered all the AL powder on the sheet, and thus preparing it for the addition to the ANFO.

I plan to mix up 1,2kg of micro balloons per 45kg ANFO. I have a total of 40kg of MB in 5 large bags. It is a powder-like substance and inert. But according to the sources; when mixed with ANFO or ANALFO it will generate hot spots and thus making the ANFO or ANALFO more sensitive. I just hope I have the correct type of micro balloons... I assumed that the micro balloons were 2 mm in diameter but these seems to be 0,2 mm or so.

The optimal approach to DDNP manufacturing

This guide reflects the suggestions and requirements for the manufacturing of 3 batches of DDNP totaling approx 20-45g of pure DDNP crystals within 45 hours. This should be enough for four detonators (5-8g per detonator) and some additional material for testing.

General information and comments:

DDNP or dinol stands for Diazodinitrophenol and has the reputation of being one of the best primaries out there when it comes to performance.

VoD: 7000 m/s @ 1,63g/cc.

Despite all the misinformation out there, stating it is so difficult to make... - DDNP IS an EXTREMELY easy primary explosive to manufacture. I managed to create it on the first try and none of my batches failed. Sure, there are many steps to follow, but each step is very simple requiring only basic lab equipment. I must admit I was discouraged reading all the misinformation out there regarding the difficulty level and the dangers involved, seeing that I had ZERO experience from chemistry. But seriously, If I can make it with ease, then ANYONE can! Sure enough, the 4 individual guides I located were lacking and incorrect. But after merging them, and correcting with my personal experience acquired, it proved surprisingly easy. DDNP is around 10 times as stable as AP and I believe it is the primary explosive used by armed forces worldwide atm. Good properties for storage. Used to detonate a secondary high explosive such as picric acid. The following guide will result in high grade DDNP with very few impurities. I found synthesizing picric acid to be more difficult than that of DDNP, even though PA is probably the easiest secondary you can manufacture.

Suggested equipment used:

- 6 x 2L beakers (required if you want to complete all DDNP manufacturing within 45 hours)
- 4 x 1L beakers, 2 x long glass temperature rods (works excellently as stirring rods as well)
- 6 funnels, filter paper (coffee filters are ok)
- 1 x standard electric heating source
- 1 x hot plate stirrer with 2 x stir bars
- 3 x 1ml plastic one-time-use syringes (used to drip sulfuric acid)
- 1-2 rubber scrapers
- 1 x 10L regular plastic bucket used as ice bath container (these have a thin bottom and a 2L beaker fits nicely in them, with enough room for ice, water - placed on hot plate stirrer),
- 1 x 500ml graduated cylinder is a bonus although most beakers now a days are graduated
- Several small plastic containers to keep the various chemicals in
- Fume hood with fan is a bonus but not necessarily required if you have a good 3M mask with acid/vapour filter (nr. 60923 - multifilter) and good ventilation
- 3M mask with acid/vapour filter (nr. 60923 - multifilter)

- Nitril gloves (regular washing up gloves are fine)
- 1 x hot plate stirrer with 2 x stir bars is not necessarily required but will save you a lot of grief - highly recommended
- 3 x 1L conical flasks (for purification of DDNP)
- 3x 70-150ml porcelain dishes (boiling dishes for purification of DDNP)
- + 2 x heat sources (purification of DDNP)

Total chemicals required:

- 120g of pure wet PA or 80g of pure dry PA (I suspect this is a bit of an overkill though)
- 87g of caustic soda
- 70g sulfur powder
- 90ml sulfuric acid (90%+)
- 51g sodium nitrite (not nitrate)
- >20L distilled water
- 1,35L acetone (for purification of DDNP)

Procedure:

- 1.** Into a 2L beaker, pour 300ml of dist. water and heat up to 70-80C.
- 2.** Add either 27g of pure dry picric acid (or 40g if wet) to this and swirl it a little bit. It will not all dissolve however, so don't assume you're getting anywhere by swirling it for 24 hours. Optional: I did this on a hot plate stirrer with magnetic stir bar.
- 3.** Now add 4,5g of caustic soda to this. Swirl this mixture around until everything inside dissolves. Yes, it will all dissolve just keep swirling. The solution will turn to an orangish/red color. This is a sodium picrate solution. Keep this on low heat (I placed it on the far end of a regular heater) and add water as it evaporates. This is solution 1.
- 4.** In another beaker, pour 900ml of water and add 24g of caust soda. Bring the solution to a rolling boil.
- 5.** Measure out 22,5g of pure sulfur, and crush it finely. Sieve it into the boiling caust. soda solution making sure to get as little sulfur on the sides of the beaker as possible. Let this boil for 60-120 min (1-2 hours), adding water as necessary. After this amount of time, most if not all of the sulfur should be dissolved. If you sit and watch it the whole time, you will notice a color change from clear to green to blue to puke green, to pea green, then to a very dark color and once all the sulfur dissolves it will be a very very dark red color. Set this on a towel or similar device and let it cool down until it stops boiling. The reason for the towel is so that it doesn't come in direct contact with any room temperature (or colder) surface. This is solution 2. Note: I tried just boiling it this way but ended up waiting 4 hours with half the sulfur left. So I changed the approach by placing the beaker on a hot plate stirrer. Yes, you will get sulfur on the sides this way but just wipe it away with a napkin once all the sulfur dissolves. Using a hot plate stirrer (max heat, max stirring power) it took around 1,5 hours before everything had dissolved.
- 6.** Once it stopped boiling (but is still hot) add it to the sodium picrate solution in the other beaker, in 6 portions.
- 7.** Once all of it is added, place the beaker in a refrigerator until it reaches about 4C. This took around 8 hours for me since I have a small refrigerator. On a couple of occasions I added a couple of sheets of ice cubes in the fridge to speed up the chilling process. Once at 4C, there should be a healthy amount of red crystals in the bottom of the beaker.
- 8.** Filter the whole solution into the 2L beaker that was used in the last step. Discard the filtrate/liquid and clean that beaker out.
- 9.** Pour 900 ml of water in it and bring it to a boil. Add the red crystals in the filter (and everything else) to the boiling water and boil it for 2-3 min while stirring a little bit. While it is still boiling; clean out the other 2L beaker which should be empty.
- 10.** Filter the boiling solution into the clean 2L beaker. Discard the filter and its contents and let the filtrate/liquid cool to room temp. This will take around 5-8 hours. This is now a sodium picramate solution.
- 11.** When the sodium picramate solution is at room temp, drip concentrated sulfuric acid in there with stirring (I used a hot plate stirrer during this addition). Ensure good ventilation as H₂S and SO₂ will be released. Keep dripping it in there until it just barely tests acidic on litmus paper. This will take 3-6ml (I couldn't be arsed to use my litmus paper so I just added 6ml, drop by drop using a 1ml syringe). You will also notice that the color has changed from a deep red color to a sort of rusty color (orange-brown-red). There is also a precipitate in the beaker and a lot of it. This is picramic acid.

12. Measure out approx 25ml (I used around 30-35ml) of sulfuric acid and add it to this beaker. Mix the beaker up. Add another 300 ml of water to this.

13. Place this beaker in an ice bath and bring the temperature down below 5C. It took me approx 20 minutes and 4 sheets of ice to get the temp down to 4C. This is solution 3.

14. In another 2L beaker, pour 750 ml of water and add 17g of sodium nitrite. Swirl it until its dissolved. This is solution 4.

15. Place the ice bath on top of a magnetic stirrer and drop a spin bar in the beaker. Use a thermometer in the beaker. Now slowly add solution 4 to the picramic acid solution (orange-brown solution 3) in the 2L beaker, keeping the temperature below 5C (use thermometer). Ensure there is no sudden rise in temperature. Be sure to stir almost constantly during this part. You can stop stirring if you're not adding anything if you need a break though. Once all of it is added, continue stirring for a couple more minutes then remove it from the ice bath. I spent around 30-40 min adding this by pouring 100ml every 5 minutes. Let it slowly warm up to room temp (this will take 9-12 hours). You will see a brown precipitate (the shade of brown varies sometimes). The solution should be brown.

16. Once it is up to room temperature, filter the solution out. There is a lot of DDNP crystals in here, so use 3-4. Try to even the amounts of DDNP on each filter paper when filtering.

17. Once all the crystals are filtered out, run 60ml of ice water through each filter to wash out some of the very soluble products (not needed if you are going to purify it later). Remember, the DDNP is slightly soluble in water so make sure it's very cold. The DDNP formed can be used as is, or it can be further purified.

End note: by using my guide, I had minimal impurities and all batches were successful. Don't be discouraged by the seemingly "long" process. Just follow all the steps and you practically can't go wrong. 90% of the time it takes will be "waiting" for the temperature to decrease/increase after each of the 3 stages. The only way you can fail is if you have very poor quality or incorrect chemicals (f example some who attempted tried with sodium nitrate instead of the correct; sodium NITRITE). If you have all the suggested equipment you will complete all three batches (for a total of 15-45g of DDNP) within 45 hours.

Purification of DDNP:

- The optimal way is the following; Dissolve 1/3rd of a batch of wet DDNP (equivalent to 5g dry) with 150ml acetone (regular room temped) in a 250ml or 600ml beaker. Swirl it around well to dissolve as much as possible. There will be some impurities that are undissolved. The solution should be cloudy brown. Filter into another 600ml beaker using a lab filter or 2 x coffee filters. In my batch; there was not as much impurities as expected, grey powder like substance (I suspect this is sulfur residue). After filtration, discard the filter with content and pour 50-80ml into the porcelain boiling dish that is placed on top of your 1L conical flask. Ensure excellent ventilation at this point (turn on fume hood-fan if you have one). After around 30 minutes most of the acetone should be boiled away. Scrape it off gently into a plastic container and store, perhaps adding a little water. Dry immediately before use.
- Filter the solution into a 2L beaker containing 1,5L of distilled ice water with ice cubes while rapidly stirring the liquid (magnetic stirrer). This will convert it into bright yellow crystals. The ice cubes are scooped out and the liquid filtered again. The filter papers will contain purified DDNP crystals. (Important; this method does not work, according to three forum sources as the DDNP is partly soluble in water, so you will get little if any yellow DDNP crystals)

Safety:

DO NOT SCRAPE DRY PURIFIED DDNP OFF ANY SURFACE (I've done this many times but anyway...<3). Get as much as you can of the loose crystal, but don't scrape at the layer as it is friction sensitive. One guide says: load moist in detonator while another guide states; must be dried before it will explode. It seems to detonate while slightly moist from acetone but Im going to completely dry it. Does not detonate when unconfined unless the sample is larger than 6g. Will not detonate by fire when unconfined, unless more than 6g, but will burn with a quick flash. Commonly initiated using black powder safety fuse (Tried it and it works, although I used a couple of grams of gunpowder taken from a shot gun shell, dunno how it affects etc.). It can be compressed substantially without detonation. Compressed samples can still be easily detonated.

Storage

Good properties of storage. DDNP is best stored with 25% water. Dry immediately before use. I stored my DDNP in regular plastic boxes, in darkness, at 8,5C. Ended up just darkening the boxes with a black permanent marker. I had several amber glass bottles but figured it would be a pain to get the substance in/out, due to the relatively small openings on the bottles. Store away from light. It decomposes when exposed to direct sunlight and explodes violently when heated to 150C. Detonates easily by sparks, fire, percussion or friction. Long term storage: submerged in water free kerozene in tightly sealed amber glass away from light.

Drying

At one point in time; I dried 3g of unpurified DDNP in the oven at 60-70C for 4 hours. I have not tested if this is an appropriate way of drying when handling larger batches or purified substance, but I will soon find out... Alternative drying methods; Drying will take 24 hours if done in room temp or 2 hours if beaker is suspended in a hot water bath. Since Im purifying the DDNP using acetone I think ill either use the oven or boil it dry on the porcelain plate on top of the conical flask with boiling water.

April - 2011

On April 6th I leased a car (short term lease), from AVIS; a silver grey Fiat Doblo van with 735kg of carrying capacity. They would charge my credit card with 810 euro per month. I needed this car as I had an introduction meeting with a farm owner the next day. I removed all the AVIS insignias so the car would pass as my own.

I had previously made initial contact with the owner of an appropriate farm through an online real estate forum for farms etc. At this point in time I had regularly searched for farms with 30-100 decare of farmland the past 6 months and had around 10 potential leads, all within 4,5 hours driving from the capital.

I had an introduction meeting with the owner, Petter and his girlfriend Tonje, around April 7th. They were around 37 years old and it turned out Petter was renting out the farm for the next 2,5 years due to the fact that he was going to jail for the specified period. He was reluctant to state exactly what he was being incarcerated for but he mentioned something about renting the place to someone who had used it as a marijuana farm. So I assumed that he was somehow implicated. I presented myself in an optimal way and it paid off; the couple seemed to love me, considering me to be the ideal candidate. It is times like these that your acquired experience/competence in sales will pay off. A good salesperson is also a very talented psycho-analyst. So it's all about identifying the persons pains/problems/worries and saying what the individual wants to hear.

I wanted to move in as fast as possible, f example from April 1st, but as he was scheduled to leave for prison on April 19th and Tonje wanted to live there until May 1st, this wasn't a possibility. Petter came to Oslo on April 10th and we signed the contract. I was now significantly closer to initiating the manufacturing phase...!

At this point in time I lived with my mom, in order to conserve as much of my funds as possible.

On April 9th, I was inflicted with a virus by my mother and I came down with something that later appeared to be a very resilient throat infection. FFS, this is what happens when you live with people hanging out with hypochondriacs...! It was the third time she had infected me the last two years and I was very pissed off and frustrated. The manufacturing phase was SO close, in only 20 days and now I'm potentially neutralized for the next three weeks... I decided to ride the illness out as I thought it would pass within the week, but it proved to be very resilient. My energy levels dropped by more than 50% and I eventually ended up with an antibiotics treatment.

It was now April 25th and I was finally back to normal. I had spent the past couple of weeks playing through Dragon Age II and a couple of other newly released games. Awesome! The good news was also that I would practically immune to any bacteria's and viruses for the next 3 months, in the most critical of all phases, as my immunity system had been boosted and rejuvenated significantly by the virus. My training regime had suffered and I had lost a couple of kilograms of muscle mass but most if not all other practical things were now in place for the manufacturing phase.

On April 27th I made the order for the fertilizer which were to be delivered a week later. Prior to making this order I had officially registered my company as an agricultural entity, with emphasis on the growing of specific crops, and I had gotten my official production number (a farming number) allowing me to make orders from the national farming supplier. If they were to screen me they would see that my company was linked to a farm that had 90 decares of fertile land so all was well.

The last week in the capital I spent a lot of time with friends, partying and attending various social events. I knew that it would be the last chance, for a very long time, I would enjoy their presence.

I had somewhat of a liquidity problem though, as I had to transfer a deposit equivalent to three months rent - 3750 euro in addition to the rent for May; 1250 euro.

This payment ate up a great deal of my remaining liquidity so I would shortly solely rely on my 10 credit cards with a total of 29 000 credit... As the weekly cap on all credit cards are capped at around 800 euro, I started withdrawal of funds from 3 cards.

Events on the farm from May 2nd 2011 to June 23rd 2011

This log contains a lot of what can appear as "wining" but it serves to reflect my mental state during the stay, a relatively detailed log of events and how I overcame the obstacles that arose. It can also serve as an educational guide or a blueprint for which the goal is to create a more efficient time budget. Learning from other peoples mistakes is always preferable to making them all yourself. It should be possible to drastically reduce the time spent on preparation, assembly and manufacturing based on the experiences shared in this log.

Monday May 2 - Day 1: I drove up to the farm (2-2,5 hours from the capital) with my newly leased Fiat Doblo with all the equipment and gear/clothing I needed. I spent most of the day moving and getting my equipment and gear into place.

Tuesday May 3 - Day 2: I built the fume hood from the PVC plates and screws that was enclosed in the box. It was like an IKEA set and after a few hours I had completed it. Despite of the suppliers assurances they had forgotten to include the 10 cm diameter plastic fume hood tube so I wasn't able to plug in the dust collector fan. I placed the hood on a regular 50 cm wooden living room table. I placed the 25kg heavy fan on a 1,5 meter high shoe shelf that I just flipped over. I placed it next to one of the living room windows so that I could cut out a plastic sheet using the same measurements as the window. I opened up one of the windows and taped the plastic sheet with duct tape on the window frame and cut a 10cm diameter hole where the tube was supposed to come out. This is the optimal way of doing it as you won't have to cut in the wall or other surfaces. I would have to pick up a bendable vent tube tomorrow. I also covered the rest of the windows with curtains to block anyone trying to peek through. The fume hood was a very simple construction so if I had more time I would probably just build one myself and save 500 euro in the process.

Wednesday May 4 - Day 3: Finished creating the metal skeletons for the blast devices and completing other practical issues relating to gear and equipment.

Thursday May 5 - Day 4: I started to grind the aspirin tablets today, at first using a mortar and pestle. After a few hours my hands hurt and I realized this method wasn't going to work out for this quantity. I decided I wanted to try an untraditional method by pouring the tabs on a large plastic sheet on the floor, using gravity to crush them with my 20kg dumbbell. This method worked excellently and I was done in about 4 hours. Tonje, the owners girlfriend, called me that evening. Apparently she was taking a 2 week vacation to Gabon and she was leaving this Monday. What a blessing! She said she would come and pick up some equipment from their storage room in the barn once she came back. I reckon I can manage to complete everything within the next two weeks, providing I work hard and efficient!

Friday May 6 - Day 5: Started to synthesize acetylsalicylic acid from aspirin. Failed badly and ended up with converting the acetylsalicylic acid to worthless salicylic acid goo (at this point in time I didn't know it was salicylic acid but It seemed very difficult to dry the substance). The guide I was using was significantly lacking. I realized I didn't have any other contingency plan and I began to somewhat panic. As I was unable to find any solution online the next two hours I began to lose heart. As I had discarded my digital library of explosives guides I tried to locate guides, searching

online with anonymizer software, for a completely different booster compound. As I realized that this task could take a week or maybe two my motivation and morale at plummeted. If I couldn't even synthesize the first phase of the easiest booster how on earth would I manage to synthesize DDNP?! My world crashed that day and I tried to develop an alternative plan. I went a restaurant in the northern town that evening and enjoyed a three course meal. I later watched a few episodes of "the Shield".

Saturday May 7 - Day 6: The only rational approach to this problem is to search online until I find a proper guide to synthesize aspirin powder into pure acetylsalicylic acid. After several hours of research my findings were extremely discouraging. All the guides I had found; mainly university level chemistry projects, required a suction filter pump and a chemistry air dryer. The even more discouraging news was that even with this equipment none of the university students managed to get a better yield than 30%! Omfg, this would mean that even with the equipment I would never acquire, my total yield would not surpass 30% which would severely cripple the overall plan... I went to another restaurant that evening (I find it an effective method for getting my morale up) to create a new plan. In any case; I appear to be fundamentally fucked If I cannot manage to find a solution soon.

Sunday May 8 - Day 7:

Failure is not an option for me. I continued my search on methods for the purification of salicylic acid online. After many hours of searching the net, using various search phrases, I managed to locate a single YouTube clip, with very few hits, which explained in detail an unconventional method for synthesizing acetylsalicylic acid from aspirin. However, the guy was using a suction filter pump and a laboratory air dryer but I figured I could bypass this requirement by using more funnel filters and by using an air drying method. According to the guy on the movie, he managed to achieve a 70-80% yield! This method seemed to be viable and I would try to create a batch the next day.

Monday May 9 - Day 8: I tried the unconventional method for synthesizing acetylsalicylic acid with a promising result. I couldn't actually confirm that the product I had was in fact purified acetylsalicylic acid so should I take a chance and manufacture it all using this method? Considering the fact that I had wasted so much time, I decided that I had no other choice than to initiate mass production even though I risked ruining all my aspirin. Because if I were to wait for a small batch, it would simply take too long, so I had no other choice than to take this calculated risk.

Tuesday May 10 - Day 9: Considering the fact that I had wasted so many days and literally been at a standstill I felt a sudden need to create an evacuation plan as I didn't have any. What would I do if the owners wife caught me, or the neighbour or anyone else? I needed to work out a plan for this potential scenario. The evacuation plan involved a 10 minute evacuation. I would have to back my largest backpack with survival gear and relating equipment, including survival rations, 10L of water, weapons, ammo and suitable clothing. I started to prepare the above.

Wednesday May 11 - Day 10: I completed packing an evacuation kit. I felt a lot more safe and prepared for any emergency once I was done. When I returned from the southern town later that day, I saw two military 12 man teams, armed to the teeth, just 2000m south of my farm. The largest military base in the country is located just a few kilometers north-east of my farm and their territory extends almost all the way down to my property. They have notified all their neighbours, me included, that they are conducting a large military training session as to prepare a new division of soldiers for the war against the Taliban and al-Qaida in Afghanistan. It's quite ironic being situated practically on top of the largest military base in the country. It would have saved me a lot of hassle if I could just "borrow" a cup of sugar and 3kg of C4 from my dear neighbour:-)

Thursday May 12 - Day 11: As the acetylsalicylic acid purification and the rest of the picric acid production required a substantial amount of mineral and distilled ice cubes I spent the whole day converting water to ice cubes; a total of 50L converted whereas 20% of it was from mineral water. I ended up completely filling up a very large freezer with ice-cube-plastic-pocket-sheets.

Friday May 13 - Day 12: As the acid manufacturing went too slow I bought more funnels at the local store, to up the production rate. I continued to synthesize acetylsalicylic acid from aspirin that day.

Saturday May 14 - Day 13: I continued to synthesize acetylsalicylic acid from aspirin.

It's the Eurovision finale today. I just love Eurovision...!:-) It's a lot of crap music but I think it's a great show all in all. I've seen all the semi finals and will take the time of to watch it later today, online. My country has a crap, politically correct contribution as always. An asylum seeker from Kenya, performing a bongo song, very representative of Europe and my country... In any case; I hope Germany wins!

Sunday May 15 - Day 14: At the last batch of preparing pure acetylsalicylic acid my hot plate stirrer broke down. The magnetic mechanism stopped working. Fuck, Chinese piece of shit equipment, I should have rather paid more to get good European quality machinery...! What

should I do now? Creating picric acid and DDNP without a magnetic hotplate stirrer would be very labour intensive and difficult and ordering a new product from a national supplier would take at least two weeks... I really don't have much choice in the matter. I'm ordering a new plate today and I can focus on the non-chemistry tasks until I receive it.

I managed to complete to synthesize the last batch of acetylsalicylic acid from aspirin without my hot plate stirrer. I now had to dry it. After scraping out all the content from the filter papers I spread the content evenly on several plastic boards. At first I put the boards in normal room temperature, but as this proved to be a very slow method I ended up placing the boards in a small room with an oven at maximum temperature (around 30C). In retrospect I realize I would have saved several days by just drying the purified acetylsalicylic acid in a Pyrex dish in the oven at 50-70C, but even now I am not sure what effect heat above 30C would have on the acid. I am 70% certain it would be the optimal method though as this oven method works (confirmed) on drying both PA and DDNP.

Monday May 16 - Day 15: Mixing up and further drying all the acetylsalicylic acid on the plastic boards.

Tuesday May 17 - Day 16: Since I cannot continue on the chemistry phase, due to the lack of a hot plate stirrer, I started boiling my sulfuric acid outside. I initially bought 3 specialty induction plates (flat porcelain) but they didn't function as my 2L beakers didn't cover the minimum diameter required for the induction plates to function. I began with one hot plate and created boiling stones by crushing a few small lab beakers. The boiling stones only made the boiling more difficult and complicated so ended up without the use of boiling stones.

Wednesday May 18 - Day 17: Continued boiling, now with three regular plates for maximum efficiency. Boiled after dark as the smoke generated as the acid surpassed 70% was so thick and compact that it would surely alert neighbours even several miles away.

Thursday May 19 - Day 18: Wanted to set on a plate, boiling sulfuric acid, while I did some shopping in the northern town. I noticed someone lurking outside the door and saw the neighbour. There was a BMW in the upper barn area he was going to fix up for the owner. As I was about to go outside in full protective suit, he almost saw me before I saw him. I helped him push out the car and gave him the gasoline required to drive it to his place. I'm going to stick to nighttime boiling from now on to reduce my exposure to any unwanted surprises. I was very lucky today, something I cannot take for granted in the future.

It's essential to create as much goodwill you can from the neighbours. Use any opportunity to generate goodwill from them. This goodwill will be returned indirectly by them not probing and investigating. If you get a visit from neighbours, be polite and friendly, offer them sandwiches and coffee, unless it will jeopardize the operation. The goodwill generated is likely to be to your benefit later on.

Friday May 20 - Day 19: Finished boiling sulfuric acid

Saturday May 21 - Day 20: Went to the capital to pick up a few parcels; 5 large packages of micro balloons and 50 more liters of distilled water. I also purchased a 50kg weight dumbbell set for fertilizer grinding, costing 700 euro, as it would most likely be the best way to crush the fertilizer pills using this method.

On my way home to the farm I noticed what I believed to be a civilian police vehicle south of the southern town (30km from the farm). At this point in time I remembered I had forgotten to turn on the lights on the car since I tested out my blue LED lights the day before. Hmm, they should have stopped me for this violation. Very weird. As I came closer to the farm I noticed what I believed to be another civilian police car. Damn, I got a really bad feeling about this and my instincts told me I was about to be apprehended. Too many red flags were lit. I stopped 500 meters before the farm entrance and had a smoke, preparing mentally for a potential welcoming party at the farm. What should I do if I was about to be SWAT raped by a 6 or 12 man team? I didn't have any weapons available as they were all inside the main house. Should I make a run for it, if so, where would I go? Would I have time to fetch my evacuation kit, and should I try to get it and shoot my way out?

After the break I approached the farm, and turned on the fog lights on the car so that I could have an advantage should they approach me from the front. I stopped 50 meters north of the main house and I was shocked at the sight that awaited me...! The barn door was wide open!!! Someone was here! They were probably circling me right now or waiting for me inside the main house! I waited 20 minutes with the fog light aimed straight at the direction I expected them to come from. Perhaps they are not here, maybe they just installed monitoring equipment like they often do? I entered the house, picked up the glock and searched the house and the barn. Nothing. I began searching for monitoring equipment, nothing...

Paranoia can be a good thing, or it can be a curse. The barn door had probably been opened by the wind. I decided then and there that I would not allow paranoia to get the best of me again. If they were to come for me one day, there was really nothing I could do about it, so it would not be constructive to worry about it.

Sunday May 22 - Day 21: Started relocation of fertilizer. Broke down a 600kg bag into 13-14 x 50kg bags, loaded in the truck, drove 100 meters and carried them with a "carry trolley" into the barn. Did a full 600kg bag. Was exhausted.

Monday May 23 - Day 22: Initiated the fertilizer grinding phase. I was unsure whether I had to pulverize the fertilizer or not. Most guides said it was a positive thing as some fertilizer prills are coated with an anti-absorbing layer. I crushing a small batch, placed it in a plastic bag and soaking it in diesel, I also prepared another small bag of prills and soaked that in fuel to see whether it would absorb any liquid. Updated log

Tuesday May 24 - Day 23: The prills had not absorbed any diesel at all, during the last 24 hours, so I concluded that the only approach is to pulverize the 5 x 600 bags of 27-0-0 AN fertilizer. I cleaned the concrete floor in the barn thoroughly and poured 50kg of fertilizer prills on it, spreading it evenly so that I could roll the 50kg dumbbell back and forth to crush it, and then use a broom and spade to gather up the pulverized AN before it had absorbed a lot of moisture from the air. I was sure that this method would work as I managed to semi-crush the prills with my 20kg dumbbell. If a 20kg dumbbell almost could do it, then surely, a 50kg dumbbell would ensure excellent grinding. I estimated that I could grind 50kg within 20 minutes, 3 times faster than any other method I had heard of.

To my great disappointment, crushing the prills with the dumbbell failed miserably. The prills were only partially crushed and rolling the dumbbell proved to be an especially labour intensive experience. Also, the crushed prills absorbed moisture much faster than anticipated so the time required for me to crush 50kg (2 hours) would result in more or less AN powder fully saturated with water moisture... Fuck, why can't anything go as planned???? And the dumbbell set cost me a total of 750 euro and now it has proven to be worthless... What do I do now?

Wednesday May 25 - Day 24: As this was a big setback, I decided to seek comfort and attempting to erect my morale, which was currently in the toilet, at the restaurant in the northern town, ordering a three course meal while readjusting the plan. I had previously heard of a Marxist terrorist traitor in the early 70s. I believe he was called Baader or could it have been Meinhof, terror prostitutes for the Soviets and loyal dhimmi whores of the Islamic Ummah. Anyway; I remember reading about him using electrical mixers to crush AN prills in his apartment. Apparently, he had purchases several crates of these mixers and used several simultaneously for efficiency. I'm going to test this out shortly. If electrical mixers/blenders from the 70s could do it then surely; new modern blenders can!

Thursday May 26 - Day 25: Shopping for blenders. Bought around 12 - stationary and handheld, different brands for testing.

Friday May 27 - Day 26: Started crushing fert prills, testing out the various blenders. More than half of them were completely useless as the shape of the container prevented proper circulation of the prills after crushing them. A suitable blender will ensure flawless circulation and result in a fully crushed batch within a reasonable time frame. Found a perfect blender; Electrolux. which was able to fully crush 95% of the prills, in portions of 0,5-0,7kg within 20-35 seconds.

Saturday May 28 - Day 27: They had the Electrolux stationary blender in limited supply so I had to drive all day to purchase 6 from three different cities.

Sunday May 29 - Day 28: Continued relocation of the fertilizer. Did another 600kg bag.

Monday May 30 - Day 29: Completed the third 600kg bag. I could hardly move my fingers and I was certain that I had damaged them permanently. I decided to limit the process to three bags as the work required to process 5 bags (3000kg) would simply be too exhausting for one person...

Tuesday May 31 - Day 30: I had to rest the whole day as I was completely exhausted...

Wednesday June 1 - Day 31: Updating log

Thursday June 2 - Day 32: I saw a car driving through the property while I was surfing the net. As I went to greet him I noticed he was taking pictures of the farm. He, around 50-60, said he was a tourist wanting to take landscape pictures. His actions and body language indicated however that he was lying. My instinct told me that he was a police officer. I offered him coffee and suggested he should go down to the river bank as it was the optimal place for taking photos. I noticed that he continued to take pictures of the farm. When he approached the house I chatted with him again. From what I understood, reading his body language and between the lines, he worked for the police and he was following up on the "marijuana farm" case. He disclosed that his daughter was a drug-sniffer-dog trainer. He was probably taking pictures in relation to this case. I told him that some people had set up a marijuana farm here a few years back. He seemed surprised, although he probably knew that already. This encounter was a concern for me for a few days, but I decided to

just forget it as it wasn't anything to do about it if he was to return. I'm just glad I gave him a good impression.

I decided to begin crushing the fertilizer using four Electrolux blenders simultaneously. However, it made a lot of noise so I decided to do this work from 23.00 to 07.00. I managed to complete 5 x 50kg bags, mixing in diesel 4 times per bag to distribute it evenly, then closing both the inner and outer bags properly using 5 individual pieces of duct tape. It is essential to hurry to place the crushed AN into the bag as it will begin to draw moisture from the air immediately after it is crushed, even while being inside the blender container.

Friday June 3 - Day 33: Continued crushing prills and mixing with diesel. I got into a good routine and managed to complete 10 bags. Very exhausting. I spent around 1 hour for each of the first few bags the day before, but managed to increase efficiency so that I completed 1 bag every 40 minutes (optimal achievement was 1 bag per 32 minutes). 20 bags to go... 2 of the blenders broke after processing 12 bags, even though I used it on the lowest power alternative. Replaced them with new ones.

Saturday June 4 - Day 34: Completed 6 bags.

Sunday June 5 - Day 35: Completed 4 bags. 2 more blenders broke down. I have to buy a couple of new ones tomorrow.

Monday June 6 - Day 36: Bought two more blenders. Completed crushing 1600kg of fertilizer prills and mixing with diesel. I'm going to save the last 200kg and possibly use it as an "inner charge" mixed with purified RC fuel (nitro methane). I will most likely only have enough nitro for 1 x inner charge though. After completion of the grinding, it was prills and AN dust all over the place:)) My green AN-crushing clothing were now grey... Surely, I'm going to die from cancer within 12 months as I must have gotten a lot of this crap into my lungs even though I used a 3M mask... It took a while to clean it all up to prepare for the next phase.

Watching "The Shield", a couple of episodes each day on average. I downloaded all 7 seasons in the start of May.

Tuesday June 7 - Day 37: Went to the capital and picked up the new hot plate stirrer that had arrived.

Wednesday June 8 - Day 38: Started synthesizing picric acid, completed 1 out of 10 batches.

Thursday June 9 - Day 39: I heard someone parking their car outside the house today. It was one of the neighbours wanting to buy the current crop as animal food. As I hadn't had the time to plant a crop of my own, the current one was primarily timotei and clover - used for food to cows and sheep. We discussed the issue for a while and I explained my situation to him. We agreed that he could harvest the current crop. He would return within 14 days to initiate the harvesting. I offered him a good price. As we strolled down to the field I was somewhat concerned that he would notice the fume hood fan pipe sticking out of the living room window...

Continued synthesizing 2 and 3 of 10 batches of picric acid and placing the finished compound to dry. It took a long time to complete the nitration of the acid due to the fact that I only had 1 hot plate stirrer. If I had 3 I would be able to complete all the PA within 2-3 days. Damn, something went wrong with these two batches. The solution was red and it failed to nitrate properly. I concluded that I must have used a bottle containing 37% sulfuric acid, instead of the required 90%+...

Friday June 10 - Day 40: Continued synthesizing 4 and 5 of 10 batches picric acid and placing the finished compound to dry. I placed 50g of my best batch in the oven to prepare for testing and to use it for DDNP manufacturing. Potent PA should burn when lit with flame.

To my great disappointment, nothing happened when I did the fire test...! What the hell, how is that possible, it was completely dry and that particular batch was manufactured perfectly according to specifications!? I did everything according to specifications... Could the compound I have manufactured be inert???? Unfortunate circumstances rams cock in arse once again...! I started to have serious doubts and my morale and motivation started to shatter...

I concluded that given the recent events, I would now have to move forward with operation B, at least continue to complete all preparations for this as the primary operation seemed to wither away.

Saturday June 11 - Day 41: As I was doing research on the net, a thunder storm approached, but it was still very far away. I have never had any problems with electrical overcharges the last 15 years because I always use specialty electrical outputs with gas cylinder electrical overcharge protection. Suddenly my PC made a relatively large bang, and the electricity went out. Once electricity was back on I noticed that my PC was dead. FFS, not again... As it was in the evening, I couldn't fix it until Monday...

I prayed for the first time in a very long time today. I explained to God that unless he wanted the Marxist-Islamic alliance and the certain Islamic takeover of Europe to completely annihilate European Christendom within the next hundred years he must ensure that the warriors fighting for the preservation of European Christendom prevail. He must ensure that I succeed with my mission and as such; contribute to inspire thousands of other revolutionary conservatives/nationalists; anti-Communists and anti-Islamists throughout the European world.

Sunday June 12 - Day 42: Although highly demoralized, I decided to do one last test of the PA compound. I decided to create a batch of DDNP using my best batch of picric acid. This was to be my last attempt to move ahead with operation A. I didn't have much faith in creating such a difficult compound as DDNP when I couldn't even manage to create a decent batch of PA... I spent most of the day preparing that batch of DDNP, then drying it in the oven for 4 hours.

Monday June 13 - Day 43: I prepared a test device today and drove off to a very isolated site. The test bomb was composed of a 3g DDNP primary and a 30g PA secondary. If this test would fail, I would abandon operation A and move forward with the non-spectacular operation B.

I lit the fuse, went out of range and waited. It was probably the longest 10 seconds I have ever endured...

BOOM! The detonation was successful!!!:-) I quickly drove away to avoid any potential unwanted attention, from people in the vicinity. I would have to come back a few hours later to investigate the blast hole, to see if both compounds had detonated.

A few hours later, after returning from a restaurant in the southern town to celebrate this success, I went back to the blast site to evaluate the detonation. The DDNP primary detonated successfully but the dry picric acid booster did not detonate at all. So I confirmed that the PA was not inert, just of a very low purity grade. This could be sorted as I would now move forward with purification after completion of the last PA batches. Today was a very good day as I really needed this success.

Tuesday June 14 - Day 44: Continued synthesizing picric acid and placing the finished compound to dry.

Wednesday June 15 - Day 45: Continued synthesizing picric acid and placing the finished compound to dry.

Thursday June 16 - Day 46: Began purification of the PA compound.

Friday June 17 - Day 47: At this point in time, considering that this project has taken much longer than anticipated, I was in a serious liquidity squeeze. The fertilizer invoice on 4500 euro should have been paid on May 19th. I had called to the company and asked for an increase grace period and they said it was ok as long as I paid before June 8th. This was almost 10 days ago and I received a follow up notice today stating that they would forward the invoice to the credit collection company on June 22nd. In addition to this; the farm rent for July, 1250 euro, was due on June 25th and the invoice for the fume hood, the hot plate stirrer and my secondary fan, which I wasn't even going to use, 2800 euro, was due on June 26th. This would mean that I would officially default on the payment and receive a credit warning, which would basically blacklist me and thus preventing me from renting a car, as the car rental companies always perform a credit check. Needless to say; this problem could sabotage the whole operation and I needed to sort this out asap or the operation would be over before it had even started... I needed to acquire 8550 euro within a week! As I had 1500 in cash and in my primary account, I decided my only choice was to aggressively withdraw funds from all my 10 credit cards but even that wouldn't be enough because of the weekly capacity limit. I called the farming supplier and made an agreement where I would pay half the amount now and the rest in July. They agreed. After aggressive cash withdrawal I managed to acquire the necessary funds, which allowed me to keep my head above the water until mid July.

At first, I thought I would manage to create enough picric acid booster material (1,5kg in total) to disregard the addition of AL powder. But considering the fact that I would only manage to produce approx 200-300g of booster I had no choice than to continue to prepare my 150kg of aluminium powder for addition in the ANFO.

The 150kg of AL came in 4 hermetically sealed drums each containing around 37kg of AL. After reading the "security precautions", however, I was completely freaked out. The drum openings were welded with a soft metallic substance so it would be difficult to open them without taking extreme risk. The warnings stated; contact with oxygen will risk detonation of the AL powder, contact with metal, concrete and even plastic will significantly increase the chance of static electricity which can cause a detonation. Friction and shock can also cause detonation. Close

proximity of oxidizers (gas, diesel) or close proximity to electrical outputs etc. can cause detonation.

I first planned on creating an outdoor mechanism that allowed me to thrust a steel spear like object, by using gravity, creating a 3 cm hole in the top of the drum. However, I ended up taking a regular knife and starting to file down the welded enclosure, even if it involved high risk. At this point in time I was very concerned for a potential detonation. If the barrel of AL powder was to detonate and I somehow survived, I would probably lose both arms instantly severely. The blast wave/flame would probably cauterize my wounds resulting in an extended and extremely painful death. The most pragmatical approach to solving this potential problem was to place my loaded glock 34 close to the work area. And if I survived a detonation, losing both my arms, I could still fire a round to my head, in order to prevent un-necessary suffering using my toe to trigger.

Eventually, I manage to file open the enclosure. I then considered putting the drum upside down in one of my empty fertilizer bags to prevent the presence of high levels of oxygen.

This method proved to be too exhausting since I had to hold up the 37kg drum with my hands. I ended up with putting a large 3 x 4m plastic sheet on the concrete floor and carefully pouring the AL powder out of the opening. Small clouds of dust began to generate but nothing happened. I carefully continued until the drum was empty rolling the side of the drum in a circular pattern from the center of the AL powder already poured out, until the drum was empty. There were small clouds of AL powder generated but the biggest one was aprox 20 cm in diameter, which settled down after a while. I continued after the small clouds had settled. It's also worth noting that I had closed all the windows of the cellar basement so the humidity was relatively high, while oxygen level was below average.

In any case, this method worked well and I had gathered all the AL powder on the sheet, and thus preparing it for the addition to the ANFO.

Since I had solved the AL problem, I continued the purification of the PA.

Saturday June 18 - Day 48: I woke up at 11.00 and checked my phone. There was an SMS sent 09.30 from Tonje, the owners girlfriend. She said she was ON HER WAY UP to pick up some equipment from the barn!!! Omfg; considering the fact that it's a 2-2,5 hour's drive from the capital she would be here in about half an hour!!! I'm so fucked! She has a large storage room in the back of the barn and she would need to pass all my ANFO bags to get there. I would need 12 hours minimum to relocate the 1,2 tons of ANFO, not to mention de-construct my chemistry rig, fume hood, fan and clean up all the beakers etc spread all around. And the living room is full of yellow stains. It seems I will be left no choice than to use my glock and initiate the evacuation plan!

I called her up. Luckily she hadn't left yet. Thank God! I fed her a story which resulted in us agreeing that she would come on Monday around 20.00. That was a real close one... I spent the rest of the day on purifying another batch of picric acid and relocating 1,2 tons of ANFO bags, storing them in the storage area between the corn silo and another room. I refer to this area as the spider cave or the spider room as there is no lighting there and it is spider webs all over the place. It is a lot of old junk in this room covered with spider webs.

Sunday June 19 - Day 49: I spent much of the day relocating equipment and storing them in the second floor of the house. I covered all the stains on the floor with a rug and covered the living room table with a blanket.

Monday June 20 - Day 50: I spent the day purifying a batch of PA and cleaning all the beakers for storage. I went all over the property to ensure that it would be presentable for today's visit. There was a 37kg pile of aluminium powder on plastic sheet I was unable to move so I covered it up as best as I could. There was also a lot of stains on the work bench in the barn I was unable to do anything about. Then there was the 1,8 tons of ANFO bags and equipment stashed in the spider cave. I covered it up properly but she would easily notice the diesel smell from the bags and uncover it if she went in there... The fate of the whole operation relies on her not noticing. She came to the farm around 20.30. We talked for a while and she said she wanted to stay the night, sleeping in one of the outhouses. It was late in the evening so she wanted to spend the next day getting things from her storage room. I said it was fine and I fed her a story about me having to salvage much of the fertilizer for long term storage, seeing that I would not be able to sow the planned crop (sugar beets) due to too much rocks in the soil. I needed her to be prepared in case she went into the spider room. I just hope she would let me know if she got suspicious the next day so I could take necessary action...

Tuesday June 21 - Day 51: I woke up earlier that day to ensure that she didn't start sniffing around in the house without me being there. At this point in time I figured it was a 50% chance she would get suspicious enough to contact the authorities. I made her some sandwiches and coffee later that day and we chatted for a couple of hours in the living room of the main house. It would seem as she hadn't noticed anything, at least this is how I interpreted her tone, body language and judging from the topics we discussed. She went off later that day, and I figured that I would very shortly get a visit from the authorities if she forwarded her potential suspicions. In any case; there was nothing I could do if it came down to that...

Wednesday June 22 - Day 52: I reinstalled Windows 7 on my PC hoping that it would solve my network problems. It didn't work and I figured it had to be the network card or the phone line itself. I drove to the PC-repair guy in the local town and delivered it. It should be ready by tomorrow. I continued to prepare the chemistry equipment for getting ready to manufacture all DDNP batches. When I was done I completed the last purification batch of the unpurified picric acid and ended up with several liters of PA liquid that had to be chilled. I then drove to the local town and bought three portions of Chinese takeaway. Beef with noodles and fried rice, yummy!. I took an early night as I didn't have any PC.

Thursday June 23 - Day 53: I went to the PC-repair guy in the local town today and he brought very good news. Apparently, it was only the network card that had short circuited so he had replaced it with a new one and I should now finally be able to get online. Once back at the farm I got online and paid the outstanding on the remaining of my 9 credit cards so I wouldn't default on any of the outstanding amounts. When I was about to log into the site of the 10th and last credit card provider my PC went poof and the power went down in the house! Seconds later I heard a large thunder. What the hell, not again!!! And it isn't even raining ffs. I was able to get the PC running again without problems but my DSL-modem short circuited from the lightning strike as an electrical surge went through the phone line again. How is it possible to be this unlucky?! Only two hours after I've had my PC fixed nature comes and rapes me again... Thank god it was only my DSL-modem was destroyed as I have two extra DSL-modems left...;P Nevertheless, my morale took a small dent and I decided to get it back up by watching two episodes of Rome and enjoying nice Chinese takeaway. Later that day set up the fume hood and fan, carrying it down from the second floor, carried down the PA liquid in all the beakers down to the cold cellar, awaiting further chilling in the refrigerator. I then prepared for the first large batch of DDNP, halfway completing it before putting the semi finished product in the fridge.

Friday June 24 - Day 54: I continued on the second stage of the first large DDNP batch today, relocated some of the containers with PA liquid from the cellar to the fridge and updated the log. I couldn't start another batch due to the fact that I only have two 2 liter beakers, very annoying. The worst part about synthesizing formulas with a lacking amount of equipment is the downtime due to waiting for natural heating or chilling of compounds. The whole house is stinking of chems now. DDNP liquid smells like fresh egg fart...<3 And I had to close all the windows to contribute for the liquid to reach room temp faster. All these chemical fumes cant possible be very healthy... I would have probably died from cancer within the next 12 months;P

Saturday June 25 - Day 55: Finished first large batch of the DDNP today. The result, after drying should be approximately 5-12g after purification. As the first half of the PA liquid had been chilled in the fridge for 18 hours I went ahead and funnel filtered out the crystals. As this was supposed to be the best batch of PA I was extremely disappointed to see that there had been minimal precipitation of crystals in the liquid. It should have been 15g of crystals for each liter but it turned out to be 2g per liter. The only rational explanation is that the purification method I am using is significantly flawed. However, considering the fact that I tried putting ice in the beakers and even putting them in the freezer with poor results, I really do not know what has gone wrong. The only alternative reason would be that I used a flawed manufacturing method of PA or that I should have purified the acetylsalicylic acid prior to initiating the PA manufacturing. As I can't really do anything at this point regardless, I would like to think it's the purification method and not the manufacturing method. After I had scraped out the yellow PA crystals and the brown DDNP crystals putting them in plastic boxes and placing them in the cold cellar I went to do some shopping in the northern town. There is a festival and there was a lot of things happening, a faire, various food stands, concerts etc. Since this town has a limited variety of fast food I decided to drive down to the southern town, eat and pick up some Chinese takeaway. There was a relatively hot girl on the restaurant today checking me out. Refined individuals like myself is a rare commodity here so I notice I do get a lot of attention in both the southern and the northern town. It's the way I dress and look. There are mostly unrefined/un-cultivated people living here. I wear mostly the best pieces from my former life, which consists of very expensive brand clothing, LaCoste sweaters, piques etc. People can see from a mile away that I'm not from around here.

Later that day I initiated a new batch of DDNP. As I completed the first phase I noticed one of my two 2L beakers had a large crack in the bottom and drops of liquid was coming out. I was very

lucky the beaker hadn't completely cracked open as it would have destroyed my hot plate stirrer for sure. I remember there was a tiny crack that appeared during sulfuric acid purification when I was boiling as a madman outside. Now the beaker is ruined. To be honest; I'm surprised this hasn't happened earlier as I've abused these two beakers excessively. I made a mistake by buying only two 2L beakers instead of 4-5. That mistake has cost me at least 3-4 days in total. The loss of this beaker poses a significant problem as I relied on these two beakers to take me through the whole manufacturing process. If I go down a size and use the last 1L beaker I have left (I managed to break one during washing after boiling all the sulfuric acid outside. it will take me an extra day to complete the DDNP manufacturing. I'll see what I'll do later today. While waiting for the liquid to reach 4C in the fridge I went to train for the second time since I came to the farm. I used two backpacks, one in front and one on the back, with a total weight of 27kg. In addition I filled a container with 5L of liquid and held it with my left and then right arm partly stretched out in front of me. I took a 20 minute walk with these weights and it was a great exercise. As always I take protein powder + creatine before and after the exercise to maximize the outcome. I'm almost out of my steroid/winstrol tabs now as this project has taken significantly longer than expected. I only have a few days left worth of tabs so I have to sort this out in the coming days. I was thinking of traveling back to the capital and restock after I complete the DDNP production. Damn, the most annoying thing about synthesizing DDNP is that you have to wait 12 hours for the liquid to reach 4C in the fridge, later on you have to wait 3-5 hours for the compound to chill from boiling to room temperature and at the last phase you need to wait 12-18 hours for the liquid to go from 4C to room temperature. In other words, one batch of DDNP takes approximately 40 hours. If I had 6 x 2L beakers instead of 2, it would allow me to complete 3 batches in less than 2 days (45 hours), instead of having to spend more than 5 days (120 hours) due to lack equipment...

Sunday June 26 - Day 56: Completed the second and third phase of the second batch of DDNP. I moved the last batch of PA liquid from the cellar to the fridge. Updating log.

I am noticing increased pressure from my friends and family to come visit me at the farm. I am countering by saying I will be done with this seasons work within x weeks, and that they are more than welcome to visit me then. This has worked for 2 months now, but this pressure will increase progressively as I delay.

Monday June 27 - Day 57: Filtered out the pure PA crystals from the last batch of PA water after chilling it in the fridge for 12+ hours. Cleaned out all the beakers. Completed the last stage of the second batch of DDNP. Initiated the first stage of the last batch of DDNP. As I have now re-initiated my training I did a workout later that evening.

Tuesday June 28 - Day 58: Continued on the last DDNP batch. Went to the northern town to do some errands. Updating log. Later when searching online for efficient DDNP purification methods; I just learned that when acidifying the sodium picramate solution during DDNP manufacture, H₂S and SO₂ is released, which is potentially deadly. Crap, and I've been inhaling that diarrhea gas for three days now! I didn't even bother turning on the fan in the fume hood on a couple of occasions during that stage...

Wednesday June 29 - Day 59: Completed last batch of DDNP. I was now facing the task of purifying it, but was uncertain how to approach this. Was it necessary to purify it at all? How much would the VOD (velocity of detonation) suffer from not purifying it? Would it cut the VOD in half? My whole operation depended on the VOD from my primary being able to detonate the secondary explosive. After a few hours of research online I found that mixing the unpurified DDNP in acetone, then filtering it to another beaker with a lab filter or alternatively two coffee filters and then boiling the acetone away over a hot water bath, would be the optimal approach as the precipitation method with ice cold water method apparently didn't work for those that tried it. The problem now was that I only had one conical flask and one porcelain boiling dish (100ml) suitable for this type of purification method. I feared that this method would take a very long time with the lack of equipment. As I didn't have much choice I began the purification process. I managed to purify 1/3 of a batch (I had three batches) in 3 hours. As I got the hang of it I managed to reduce the time spent to 2 hours. Watching Spartacus - Blood & Sand, a brilliant series:-). It's my favourite one, in addition to Rome, Battlestar Galactica, Caprica and Stargate Universe!<3. The Shield, Dexter, Sleeper Cell, Vampire Diaries and True Blood are good as well. All the series adhere to the multicultural ideology but such is life for the time being.

Thursday June 30 - Day 60: This house is infested with beetles. Just now I was about to reach for a chocolate in my goodie bag and a beetle had crawled in, ffs. And an hour ago, when I was putting on my nitril gloves to do another DDNP purification cycle, something was crawling in one of the fingers:-) Needless to say, I freaked out... After that I started killing every little insect in view. And I'm up to 18 just in the last hour... Parts of this house is from 1750 so it's probably several bug colonies in the walls.

I haven't slept at all since yesterday, trying to complete the last DDNP purification. That will complete the chemistry phase and I can move on to the last ANFO -->ANALFO phase. Addition of aluminium and micro balloons to the 1,8 tons of ANFO. But before I start the last phase, I need to travel to the capital for resupply.

When I went inside the barn yesterday, a window had loosened and laid smashed on the floor. There are several signs of noticeable wear outside as well. Three large trees has blown down and two panels on the side of the barn has blown off. Anyone seeing this must think I don't give a damn... I haven't had the time or energy to sort that out yet. Perhaps when I'm done with the chemistry phase...

As I've now completed the purification process of 25g of DDNP (I will save an additional batch of unpurified 12g as backup), it's time for me to wrap up the chemistry phase. I do have 50L of impure nitro methane (30% RC fuel) in the barn but it's a bit tricky to purify it. I will see what I can do about it tonight. If I can't find an appropriate purification method I'll just skip the NM altogether. In any case; I can now dismantle the lab, again...

I talked to my friend, Peter, after missing one of his inc. calls earlier. He is visiting his girlfriend in a nearby town and wanted to stop by the farm... I fed him a story about me going to the capital and it worked, for now... However, it would not be suitable to receive visitors here as anyone stopping by would eventually understand that things are not what they seemed. I have to be careful not to answer his calls while he is so close to the farm. Manipulation and deceit can quickly turn around and act in your disfavour, if you are not careful. I guess I have been somewhat reckless in regards to maintaining my social network. Choosing complete isolation and asocial behaviour, in phases like these, would probably be a more pragmatical approach for ensuring secrecy. However, complete isolation and asocial behaviour can also defeat the whole purpose if you end up losing the love for the people you have sworn to protect. Because, why would you bless your people with the ultimate gift of love if every single person hates you?

Friday July 1 - Day 61: Ok, I have now completely dismantled the lab and stored all the equipment in boxes on the second floor. Removed all the glass from the broken window near the work bench in the barn and fastened a plastic sheet with duct tape.

It is now 8 days since I was forced to drastically reduce my winstrol intake and 2 days since I ran out of both winstrol and DBOL tabs. I'm noticing slight symptoms of withdrawal resulting in loss of muscle mass (down 3kg from my peak at 96kg). I'm also low on no-Xplode and protein powder. I need to restock in the capital. Damn, Peter is visiting his girlfriends sister in central Norway and Marius is unavailable due to work.

Saturday July 2 - Day 62: Going over the travel route for both plan A and B for the upcoming event, familiarizing myself with the driving routes and plotting in destinations in my Garmin GPS. I went to the gym and did a really hard workout. I was surprised I managed to lift as more or less as much as I could when I was at my best, in late April. However, I had to cancel the program half way because I was getting dizzy. Damn, just too long since I properly worked out.

Nice, I have enough winstrol for 20 more days (10mg x 100 tabs). I should have ended this cycle after 6-7 weeks though and I am now on my 9th week... Not healthy at all and I'm concerned about my liver values.

I took my mom out to dinner this evening, then hooked up with Axel for a coffee afterwards, discussing politics. Oh, how I missed these discussions...:-) Went back to the farm late in the evening.

Sunday July 3 - Day 63: Raining again... I planned to extract the armour cache today (the Pelican 1620 case I buried July 2010) or initiate evaporation purification of my 50ish liters of nitro methane, RC fuel. But I will have to wait for the first sunny day. Will have to begin the final phase shortly, the mixing of AL and micro balloons in the ANFO. I think I'll take a day off prior to the upcoming phase shift and just download some new trance tunes. Lange feat. Sarah Howells (amazing voice) has three songs I haven't yet downloaded; Lange Ft. Sarah Howells - Fireworks (Club Mix), Lange Ft. Sarah Howells - Out of the Sky (Original Mix) and Lange feat. Sarah Howells "Let It All Out" (Lange)

Noticing that the testo withdrawal is contributing to increased aggressiveness. As I'm now continuing with 50mg it will most likely pass. I wish it would be possible to somehow manipulate this effect to my advantage later on when it is needed. Because the state seems to very efficiently suppress fear. I wonder if it is possible to acquire specialized "aggressiveness" pills on the market.

It would probably be extremely useful in select military operations, especially when combined with steroids and ECA stack...! It would turn you into a superhuman one-man-army for 2 hours! <3
Monday July 4 - Day 64: Updated log for a few hours. I then began the preparations for a trip to extract the armour cache, I had dug down a year ago in Juli 2010. I am really concerned that someone has somehow found the cache. It would be a significant setback if that was to be the case. Or what if moisture had somehow penetrated the pelican case I used. It would be possible considering the fact that the area where the cache is located has permafrost during winter.

I did not look forward to this extraction trip as I had nightmarish memories from digging down the case in the first place, 12 months ago. The location is in a mosquito infested area and combined with the labour intensive nature of this sub mission, I remember it as a painfully exhausting and dreadful experience.

After packing the necessary supplies for the trip, I went by a hunting store and purchased upgraded ammunition (200 SP rounds, costing 300 euro) for my .223 Ruger Mini 14.

After a few hours driving I reached the destination. It took me around 30 minutes to locate the grave as I had camouflaged the dig sight very thoroughly, covering it with tree stumps etc. As expected, there was a big welcoming party waiting for me... Oh my, apparently, due to their great feast a year ago the mosquito population had seemed to triple for that particular spot... To counter this, I wore a raincoat which served to protect me from insect bites. However, labouring intensively in an air tight raincoat is extremely painful, even dangerous. I generated at least 2L of sweat by the time I was done so I had to constantly hydrate from my camel back. After two and a half painful hours I had extracted the armour crate and its content. Considering the fact that I do not have a secondary pistol, I disregarded filling up the crate with survival gear which was the original plan.

As for the content of the crate, it was in perfect condition. Not a single drop of liquid had penetrated the crate and no moisture had entered the rubber seal whatsoever. This means that one can bury electronic devices as well without it being affected at all!!!:-) These Pelican cases are simply amazing for this purpose. I'm sure you can bury it for several years, even below permafrost, perhaps up to 10 years, before the rubber seal rots away. I'm very impressed!

I arrived at the farm late in the evening. My neighbour had started harvesting my crops, as was the agreement made earlier.

Tuesday July 5 - Day 65: Spent a few hours on ammunition administration. Replaced most of the .223 HP (hollow point) rounds with SP rounds. According to my research; HP rounds for .223 tend, 80-90% of the time, to not mushroom as intended, which defeats much of their purpose. SP (soft point) on the other hand, at least for the .223 caliber, are more suitable for the purpose of inflicting maximum damage to vermin. I did other practical tasks this day including colouring some of my equipment black with permanent markers of various sizes. Emptied the armour case. Lol, I forgot I had put a batch of DBOL, winstrol and ECA stack in the case:-). Nice, now I don't have to make more ECA stack tabs from scratch.

I realize that If I am apprehended with all this equipment I will have serious problems trying to explain its intended usage...

Wednesday July 6 - Day 66: Changed the tertiary charge setup, and planned the last manufacturing phase accordingly in regards to ANALFO mixing. I will be creating 19 x 50kg bags containing 43kg of ANFO, 6,45kg of AL (15%) and 1,2kg of micro balloons (2,7%). After that I will create 13 x 50kg bags containing 46kg of ANFO, 2,3kg of AL (5%) and 1,2kg of MB (2-3%). Re-located most of the ANFO from the spider cave to the processing bench.

Thursday July 7 - Day 67: Re-distributed the micro balloons from the 16kg bags into 13 individual plastic bags each containing 1,2kg. Prepared 35 such bags - equivalent to 2,5% of the 50kg fertilizer bags. Started to do the same with the aluminium powder, re-distributing them from the 36kg metal drums to individual plastic bags each containing 6kg. Finished 6 such bags, but after further consideration I will use 5kg instead of 6. I realize now that many of the warnings concerning aluminum powder is nothing more than scare mongering, probably to limit the legal liability of the producer. It is much safer to handle than people might expect, even in the micro fine 400 mesh (63 microns) powder I have. I have generated multiple clouds of aluminium and nothing has gone wrong. Just be very careful and you'll be fine.

As I was working on weighing the microballoons on my gram weight, using my 3M full face mask, I noticed an itch on my nose. That's when I saw a large black beetle on the inside of the mask...FFS.

Freaked me out. I usually check for insects every time I wear gloves or the mask, but I must have missed it this time.

The neighbour is still harvesting my field outside. He originally told me it would only take 6 hours total but it's the third day now... As long as he is lurking around on my property he is going to slow me down significantly as I have to take extra security precautions. Not to mention I have to delay the nitro methane evaporation outside until he's done. I could probably have done it inside, but considering the fact that methane forms potentially explosive/flammable vapours I'm not readily keen on evaporating the RC fuel inside.

Friday July 8 - Day 68: I opened the remaining two aluminium drums and re-distributed the content in plastic bags (regular shopping bags). I then completed to weigh the content of the bags on a gram weight resulting in 18 bags a 5kg (10-12%), 10 bags a 2,35kg (5-6%) and finally two bags a 6,5 kg for the inner drum charge.

Saturday July 9 - Day 69: I started mixing the ANFO with the micro balloons and the aluminium powder. I completed 2 bags a 50kg. It was very labour intensive, much more than I imagined as I had to first open the ANFO bags, then distribute 12,5kg of the content into a plastic 50L masonry bucket. I then poured the content into a plastic 100L masonry bucket. As much of the ANFO was packed into hard lumps I had to crush them with a rubber hammer. I then started to crush the smaller lumps with my hands until the ANFO was powdered. I then poured 25% of the micro balloon bag inside the bucket and mixed it (it will create clouds of micro balloon dust as you mix it), following by doing the same with the aluminium powder. Clouds of aluminum powder will be generated and the whole area will be covered in AL dust including your clothing, your hair, and every item you might have in a 5m radius. This is problematic as you end up spread AL dust everywhere as you walk around. I ended up assigning "mixing clothing and shoes" which I took off every time I left the room. It's the only thing you can do to prevent spreading it somewhat but you will still get stained by AL. I considered using a hazmat suit or my different kind of lightweight dust suit but the problem is that it gets too hot when combined with intensive labour like mixing.

As the ANALFO mix was complete I then poured the mix into an empty 50kg fertilizer bag. This took 30 minutes so processing a full 50kg bag of ANFO creating ANALFO took 2 hours. After I had prepared 2,5 bags of ANALFO I was exhausted and decided to take a break. Mixing ANALFO is very messy and its especially annoying that you get aluminium dust everywhere.

Later that day while I was enjoying a meal, the neighbour stopped by. As I had just completed the mixing session I still had AL stains in my face and powder in my hair. I tried the best I could to quickly wash it off but my hair still had a silver tone and it looked very weird. The neighbour asked if he could fertilize my fields and remove some rocks as this would increase the yield of animal fodder by 100% (the current crop). As this meant that he would get several people to work on my property for a week's time I declined telling him that I had plans of my own.

Later that day, while I was watching an episode of True Blood, I saw a large van driving by the house and parking next to my car. There was at least 4 people inside. Nice, I thought; it's probably a SWAT team coming to skull-fuck me. The farmer must have tipped them off... Thank God, it was only 4 Polacks looking for worked and I sent them on their way. It would have been tempting to hire them to mix my ANALFO...<3, hadn't it been for the fact that they would have understood what was up:-)

Later that evening I put a large plastic container box with 8L of 30% nitro methane/18% oil/52% methanol outside to test the evaporation method. Theoretically; the methanol should evaporate before the nitromethane starts to evaporate. As such; you just let the mix evaporate down from 8L to approximately 4L. This should leave you with aprox 60% nitro and 36% oil which is, according to my sources, 100% more efficient as an oxidizer as diesel when mixed with ANFO or ANALFO. According to my source; 25-40% nitro is as efficient as diesel, so anything higher purity is better.

Sunday July 10 - Day 70: I mixed one more bag of ANALFO manually. There must be a better way than this... One single bag in 2 hours!? I will try to use my electrical concrete mixer instead. I bought it second hand for 150 euro. I am just very worried about three things when using a concrete mixer; the friction caused by the electrical stirrer, ANALFO/ANFO/AL in direct contact with metal, a spark from the electrical system. As these three factors can cause a detonation, I will keep my glock 34 close by in case I somehow survive an explosion... I feel I don't have a choice as mixing manually is just too fatiguing and time consuming. I need a method that allows me to mix at least 1 x 50kg bag every hour or faster. In any case; let me die another day...

The use of my electrical concrete mixer to blend the ANALFO went without much complication. As usual, I worry too much about safety...<3 I poured in 46kg of ANFO and activated the mixer. The

large and small lumps would not be crushed so I had to crush them with my hands manually. I then went on to mixing in the 1,2 kg of micro balloons and the 5kg of aluminium powder (400 mesh/63 microns, leafed). It generated significant AL dust clouds and it didn't mix optimally. However, I was able to complete one bag of ANALFO in 90 minutes so I was able to improve my blending per bag by 30 minutes compared to the manual method. Also, using the concrete mixer is much less fatiguing. Perhaps with time, I will be able to reduce this to 60 minutes per bag. In any case; it is hard work for one person and I am really beginning to understand why Mr. McVeigh limited his manufacturing to 600kg. He probably encountered much of the issues I did and he probably had to learn everything the hard way just as I have done.

My RC fuel (30% nitro methane, 18% oil, 52% methanol) has been allowed to evaporate for 26 hours now (average 20-25C daytime, 10-15C nighttime) and the mix has now reduced its mass by 50%, from 7,8 liters to 3,9 liters. I poured the liquid into a 4L container. I noticed that the evaporation took considerable longer during the night. I'm a bit concerned regarding the exothermic nature of methanol. Methanol absorbs moisture from the air and the water it absorbs has the same evaporation temperature as nitro methane. I have been unable to research exactly how much the absorption ratio is compared to the evaporation ratio as little information is found online regarding this purification method. If my assumptions are grossly incorrect, and the research I found was false, I will end up with an inert goo which will ruin the detonation completely. If I'm right, however, the oxidizer I will end up with will be more than twice as powerful than diesel and will reduce the need for a booster to detonate the ANFO/ANALFO. The inner charge I will end up with will be 50kg of ANALNM (Ammonium Nitrate ALuminium Nitro Methane). Regarding the purification of RC fuel; I did however find dozens of distillation methods from advanced to less advanced but the problem is that you need a decent distillation rig and even if you have the equipment, it is quite complicated and very dangerous to isolate the nitro methane that way. According to my overall research regarding nitro methane purification the most pragmatical approach, given my limited resources, is to just do an evaporation purification. I have a total of 72 liters of RC fuel with an average nitro methane percentage of 28%.

In any case; I feel I've been really slacking the last week and I really need to step up the pace now. At least now, everything is set so I don't have to research any more techniques and methods.

Monday July 11 - Day 71: Mixing 3 bags (alr done 4)

I reserved a rental car today, from AVIS, the same company I'm already renting my primary car from. There was not enough credit on the card for a deposit so I had to go to the northern town and transfer 2000 euro to it.

Considering the fact that I am currently working on the most dreadful task, I bought a lot of exquisite food and candy today. I really need to recharge my batteries and increase my morale before initiating the ANALFO mixing. Good food and candy is a central aspect of my reward system which keeps me going. It has proven efficient so far. Occasionally, if I'm really not keen on doing a specific sub task, I take a red bull, a shake of noXplode or an ECA stack - to get a jump start before jumping into something I'm not looking forward to - for example extremely lame or labour intensive tasks or tasks involving great risk of injury or death.

I continued to purify, through evaporation, the RC fuel today, pouring 32L into four different plastic containers. I had marked the containers with a permanent marker for 2L, 4L and 8L which allows me to see how many percent it has evaporated. I put one in the outhouse, to test whether inside evap would be better, and three outside. I placed them all in the outhouse before I went to bed to prevent the batches from being ruined in case of rain during the night. I noticed the batch I left in the outhouse (at around 15C) had only evaporated by 1L, in comparison to the others (20-25C) which had evaporated by 3L, which indicates that outside evap is preferable.

The mixing of AL powder and micro balloons with the ANFO is a truly dreadful task. Not only is it extremely messy; it is very labour intensive as well, not to mention that you have to work using the 3M gas mask. I hate this task. It's the most dreadful job I've encounter during the whole operation... However, I've finally managed to find a good mixing routine for the ANALFO. Basically; considering the fact that the whole process with mixing is extremely messy, I could not take any smoking breaks or leave the work bench area at all. As soon as I initiate the mixing I literally turn into the tin man..., with a layer of AL dust all over me. As it is really difficult to remove this dust from the surfaces it touches, I end up smearing the stuff on my face (it gets on the inside of my mask when it touches the rubber straps) and on my fingers etc. To keep an

acceptable pace I am therefore forced to work without a break for 5 hours (or until I complete 4 x 50kg bags). I've managed to reduce the work needed to complete one bag from 1,5 hours to 1,2 hours. The most time consuming aspect are all the ANFO lumps I have to crush manually with my fingers. The electrical cement mixer is really helpful though, and not dangerous to use at all, and will reduce the amount of time spent on each bag by 40 minutes (from 2 hours manually, to 1,2 hours with a cement mixer). I realize this is a vulnerable phase though, as it will be hard to conceal AL dust and hard to clean surfaces with AL smearing. **Tuesday July 12 - Day 72:** Evaporated RC fuel outside and mixed 4 bags (200kg) of ANALFO.

Found a good method to determine nitromethane vs. methanol content:

The boiling point of methanol is aprox 63C while the BP of nitromethane is aprox 100C. However, there is an even easier way to determine NM content. Just weigh it! Methanol is extremely light and nitromethane extremely heavy.

Methanol = 800g per liter
Motor oil = 875g per liter (might be wrong)
Nitromethane = 1195g per liter
(Water = 1000g per liter)

A gallon of Methanol = 3,78L * 800 = 3024g
A gallon of Motor Oil = 3,78L * 875 = 3307,5g
A gallon of Nitromethane = 3,78L * 1195 = 4517g
(A gallon of water = 3,78L * 1000 = 3780g)

I added water just in case due to the exothermic nature of methanol (it absorbs water/moisture from the air). In any case; it will now be easier to figure out which of my completed 8 batches of purified RC fuel has the highest NM content, simply by using a gram weight.

Wednesday July 13 - Day 73: I cleaned my 3M gas mask today. It was full of AL powder/smearing and the multifilter were full of AL dust. Unfortunately; these are my last multifilters (particle and vapour filter combined) so I can't replace them. I do have a couple of sets of particle filters but I believe they won't be of much use to filter the diesel fumes when mixing ANALFO.

Continued to evaporate RC fuel outside and mixed 2 bags of ANALFO. After mixing the second bag I began to experience dizziness, blood pressure elevation and nausea, classical symptoms of excessive short-term exposure of diesel. Diesel is a vicious substance as it is absorbed even through most glove material. Nitrile gloves are best, neoprene somewhat good but vinyl gloves provide little or no protection. At this point in time, the clothing I am using to mix ANALFO are more or less soaked in diesel and I knew it was not healthy. But the problem is that using a hazmat suit for mixing is problematic as it will be very hard to labour while wearing it. I have another chemical suit that are more comfortable than the hazmat suit so I will try using that for the last batch. Diesel poisoning isn't lethal, but will weaken your body over time. However, excessive exposure over a long period of time can shut down your kidneys, which will obviously be lethal. To somewhat counter all the crap I've been exposed to the last two months I'm using anti-toxin tabs (herbal supplements strengthening the liver and kidneys), protein supplements, creatine and a multitude of mineral/vitamin supplements.

Thursday July 14 - Day 74: I'm not feeling so hot today. I'm in a weakened state atm. most likely due to diesel poisoning. It shouldn't take more than 24 hours before my immune system has defeated the negative effects of this exposure. I hope I haven't been overexposed as it may lead to acute kidney shutdown. Needless to say; I'm going to use my protective suit to mix the last 4 bags today. Finished the last 4 bags. Using the protective suit (fertilizer sprayer suit, used by farmers) proved to be better than expected, except the fact that I completely soaked my t-shirt and boxer with sweat by the time I was done.

Planning a train trip to the capital tomorrow. I have to get up at around 06.00 tomorrow. Will do some errands while I'm there including picking up a van from AVIS car rental company (carrying cap 1340kg).

Damn, I was hoping the last 4 batches of RC fuel would be finished before the trip tomorrow.

Total weight of ANALFO, 18 bags = 900kg + 50kg ANALNM (inner charge) + 130kg (1 person + gear) + 80kg (mini MC) = 1160kg. The max carrying capacity of Volkswagen Crafter is 1340kg but it's safer to leave a certain safety margin, just in case.

Friday July 15 - Day 75: I took the train to the capital today to pick up the car I had reserved. Took a taxi from the train station to the car rental company. Came back to the farm late in the evening.

Saturday July 16 - Day 76: Took a taxi to the train station in the northern town to pick up the car. Did some errands and went back to the farm. Started removing the car rental sticker with the rubber-eraser-drill-bit. I had bought 4 of these specialty drill erasers which are designed to remove decor from cars. I used one and a half bit before I was done but there were significant traces left on the car. I treated the surface with a spray on de-greasing chemical three times but there were still some quite noticeable traces left. Will try a couple of more times tomorrow. Finished the last evaporation-purification of the RC fuel.

Sunday July 17 - Day 77: Continued removing traces of the decor on the rental car. Washed twice with acetone then another round of degreasing. There are still significant traces but at this point I do not have time to take additional measures.

An unknown car drove in to the front yard today. As I went out to greet them I noticed it was just two women who had taken a wrong turn.

The neighbour started collecting the animal-fodder-balls from the field today. His activities delayed my work for several hours.

I weighed the 9 batches of purified RC fuel. I have a lot more than I need so I will just use two of the best batches.

Weighing 1,8L in a 2L beaker on a gram weight:

Batches 1-4 were evaporated from: 25% nitro, 12% oil, 63% methanol from 7,8L to 3L
Batches 5-9 were evaporated from 30% nitro, 18% oil, 52% methanol, from 7,8L to 3,9L

All the batches have an unknown water content (exothermic properties of methanol ftl.)

Batch 1: 1759g
Batch 2: 1753g
Batch 3: 1738g
Batch 4: 1730g
Batch 5: 1786g
Batch 6: 1779g
Batch 7: 1784g
Batch 8: 1771g
Batch 9: 1770g

Weight tests were somewhat inconclusive so decided to do an additional fire test, taking 20ml from the best batches and using a stop watch to see how long the flame burns.

Batch 1: 1,49 min
Batch 5: 1,53 min

Fire test proved somewhat inconclusive but my gut feeling tells me that I should go for batch 5 and batch 7. It should be more than 50% nitromethane in the two batches.

Will create secondary detonator to be detonated from ANALFO, without booster in addition to the detonator with booster from the ANALNM inner charges). Will add a delay fuse of +30 sec for the secondary detonator. I feel this is the safest option if somehow the ANALNM mix proves to be a disaster.

Needless to say, I'm really not sure about the potency of the RC nitro oxidizer. My calculations indicate that the nitro content can be as low as 30% but I cannot confirm this as my weight estimate for the oil might be incorrect. In addition; I cannot verify the water content of the mix.

In any case; for the ANALNM material I will go for:

38kg AN
6L RC/nitro oxidizer
6kg AL
1,2kg MB

Total: 51,2kg of material

Monday July 18 - Day 78:

I completed the inner charge. However, the drum only had enough space for approximately 40kg of ANALNM. I poured the finished product into 2 x double plastic bags, the inner bags of the 50kg fertilizer bags. There were no problems at all mixing everything together in the concrete mixer. However, since I only made one inner charge I wish I had purchased pure AN (98%) from ice packs as it would be more potent than the 27-0-0 (85%ish) - farmer (C)AN.

Will have less time to update log from now on...

That night, after dark, I loaded in everything in the van. Still need to strap it properly in place though.

Tested gear.

Exhausted!!! Good workout though. Im drinking 4 x protein shakes per day now to maximize muscle generation. At this point in time I should be fearful, but I'm just too exhausted to think much about it.

Placed PA to dry during the night.

Tuesday July 19 - Day 79:

Dried 1 out of 4 batches of PA/DDNP in the oven at 50-70 C. First batch took 9 hours, wtf!! This is going to delay everything...

Created anti-friction/shock stuffing by cutting up a madras and placing it in three layers in a card board box. I'll use these to transport the booster and detonators separate from the main cargo.

Started packing down gear, filled diesel/gasoline on cars and mini-MC. Tested mini-MC. Treaded a fuse inside a surgical tube and tested it. There were 75 cm of fuse so it should burn for 75 seconds. Due to the lack of oxygen in the tube it burnt in less than 2 sec!! Damn, I'm glad I checked this beforehand... No surgical tube then...

Went to a higher quality restaurant in the southern town and feasted. Yummy! Ive been working extremely hard the last few days and I'm completely exhausted. I have been using ECA stack to help keep this pace. Looks like I will have to take one more today...

Currently drying batch 2 out of 4. Hopefully I will complete it before I go to bed.

Dry PA etc. Test PA.
Pack and load gear during day,
Go to sleep at 22.00

06.30 - drive 1 Small, there 10.00
train back (11.00), there 14.00, taxi, there 14.30
drive 2. (there 17.00)
Check area.
Go to bed 18.30

Wednesday July 20 - Day 80: Wake up at 02.30. Start downloading movie at 02.30,
05.30 Eat + pack,
start seeding at 06.00. Done 08.30.

Leave 08.30
Drive 1,
Back 09.30
Drive 2
There 10.00
Leave
There 10.45

Thursday July 21 - Day 81: Drive 11 hours straight to Kautokeino, sort out cheap hotel

Friday July 22 - Day 82: Initiate blasting sequences at pre-determined sites. Test dirt for gram of gold per kg. Have enough material for at least 20 blasts. Start capitalization of project as soon as I

have results. Time is running out, liquidity squeeze inc. Call/email all my investor contacts with updated online prospectus/pdf.

This is going to be an all-or-nothing scenario. If I fail to generate acceptable precious metals yields, in combination with swift initiation of the capitalization for securing the areas I will be heavily indebted. I must complete capitalization of the mineral extraction project within August at latest! When I have the required seed capital I will have enough funds to employ the services of professional blasting engineers.

If all fails, I will initiate my career with a private security firm in conflict zones to acquire maximum funds in the shortest period of time to repay the debts.

First coming costume party this autumn, dress up as a police officer. Arrive with insignias:-) Will be awesome as people will be very astonished:-)

Side note; imagine if law enforcement would visit me the next days. They would probably get the wrong idea and think I was a terrorist, lol :o)

Optimal time budget, one person - ANFO: 3 x 600kg, PA: 3 x 0,5kg, DDNP: 3 x 10g

If I had known then, what I know today, by following this guide, I would have managed to complete the operation within 30 days instead of using almost 80 days. By following my guide, anyone can create the foundation for a spectacular operation with only 1 person in less than a month even if adding 2 "resting" days!:-)

Day 1: Moving and getting your equipment and gear into place.

Day 2: Installing all equipment - fume hood, fan etc.

Day 3: Finishing the metal skeletons/cylinders for the blast devices and completing other practical issues relating to gear and equipment.

Day 4: Creating an evacuation/emergency strategy, packing an evacuation kit (survival gear etc.)

Day 5: Grinding 2,5kg of aspirin: 30 minutes with blender, manufacture of acetylsalicylic acid from aspirin (4 hours) + drying in oven (4 hours per batch x 3)

Day 6: Manufacture of acetylsalicylic acid from aspirin (4 hours) + drying in oven (4 hours per batch x 3)

Day 7: Boiling sulfuric acid using 4 cooking plates outside, from 23.00-07.00, 15-18L->5L of 90%+

Day 8: Boiling sulfuric acid using 4 cooking plates outside, from 23.00-07.00, 15-18L->5L of 90%+

Day 9: Creating Picric Acid (6 out of 12 batches using 3 x hot plate stirrers)

Day 10: Creating Picric Acid (12 out of 12 batches using 3 x hot plate stirrers). Completed

Day 11: Purification of Picric Acid

Day 12: Purification of Picric Acid

Day 13: Purification of Picric Acid. Completed

Day 14: Creating DDNP

Day 15: Creating DDNP. Completed

Day 16: Relocation of 27-0-0 fertilizer. Break down a 600kg bag into 13-14 x 50kg bags, load in the truck, drive to location where you are going to crush them if needed.

Day 17: Relocation of fertilizer. Break down another 600kg bag into 13-14 x 50kg bags.

Day 18: Relocation of fertilizer. Break down the last 600kg bag into 13-14 x 50kg bags.

Day 19: Initiate fertilizer grinding phase using 4 stationary blenders simultaneously. It will take approx. 30-40 minutes to complete a full 50kg bag of ANFO, including the addition of the diesel and sealing the inner and outer bag with pieces of duct tape. It should be done nighttime between 23.00-07.00 as its quite noisy. The task also includes filling 20L plastic containers with diesel, and then breaking each 20L container down to 4L containers (empty distilled water containers) Complete 9 x 50kg bags of ANFO.

Day 20: Complete 9 x 50kg bags of ANFO.

Day 21: Complete 9 x 50kg bags of ANFO.

Day 22: Complete 9 x 50kg bags of ANFO. Completed.

Day 23: Mix in 2,5% (by weight) micro balloons and 10-15% (by weight) aluminium powder into the now hardened ANFO.

Day 24: Mix in 2,5% micro balloons and 10-15% aluminium powder into the now hardened ANFO.

Day 25: Mix in 2,5% micro balloons and 10-15% aluminium powder into the now hardened ANFO.

Day 26: Prepare trucks for transportation.
Day 27: Prepare trucks for transportation.
Day 28: Prepare trucks for transportation.
Day 29: Completed

The following chart illustrates labour required vs. risk of apprehension for individuals who are NOT already on any watch list.

Risk vs. Labour	Time required to complete	Risk of apprehension
1 person	30 days	30%
2 people	20 days	60%
3 people	16 days	85%
4 people	13 days	90%
5 people	12 days	90-95%

The old saying; "if you want something done, then do it yourself" is as relevant now as it was then. More than one "chef" does not mean that you will do tasks twice as fast. In many cases; you could do it all yourself, it will just take a little more time. AND, without taking unacceptable risks. The conclusion is undeniable.

I believe this will be my last entry. It is now Fri July 22nd, 12.51.

Sincere regards,

Andrew Berwick
Justiciar Knight Commander
Knights Templar Europe
Knights Templar Norway

Further studies

3.155 Successful militant organisations - Case studies

MEND - http://en.wikipedia.org/wiki/Movement_for_the_Emancipation_of_the_Niger_Delta

- Ideology: Various motives (Christian anti-Jihad among others)
- Political effect: substantial
- Reason for success: Superior structural adaptation

al-Qaeda (and similar Islamist groups) - <http://en.wikipedia.org/wiki/Al-Qaeda>

- Ideology: Global Jihad
- Political effect: substantial
- Reason for success: If Muhammad was alive today, Usama Bin Laden would have been his second in command. They follow the teachings of the Quran and as such have more than 100 million sympathisers and supporters. Superior structural and methodical adaptation, True Islam appeals to many Muslims. Al-Qaeda's relatively unknown but most important achievement is the fact that they have made moderate Islamist organisations more approachable by expanded the radical political axis. This legitimised several Islamist groups and therefore changed the very definition of "extreme Islam". Several Islamic political entities that used to seem radical now seem moderate. As such, they work in tandem with the so called moderate Muslim organisations. They all have the same goal, conquering everything non-Muslim.

Conservative Revolutionary Movement -

http://en.wikipedia.org/wiki/Conservative_Revolutionary_movement

- Ideology: Nationalism/conservatism
- Political effect: substantial

A conservative revolutionary movement after WW1 consisting of German nationalist intellectuals. They contributed significantly to the rise of patriotism in Germany but most of the original members were eventually killed by the SS. The members consisted of all types of conservatives, everything from moderates to traditional fascists and even Nazis.

3.156 Failed European militant organisations - Case studies

GRAPO - <http://en.wikipedia.org/wiki/Grapo>

- Ideology: Communism/Maoism
- Political effect: minimal to none
- Reason for failure: Flawed ideology

Democratic Army of Greece - http://en.wikipedia.org/wiki/Democratic_Army_of_Greece

- Ideology: Communism
- Political effect: none
- Reason for failure: Flawed ideology

Red Army Faction - http://en.wikipedia.org/wiki/Red_Army_Fraction

- Ideology: Communism/pro-Islam (Palestine)
- Political effect: significant
- Reason for disband: Implementation of cultural Marxist/multiculturalist reforms in Western-Germany had a neutralising/soothing effect on the radical left.

Order of Flemish militants - http://en.wikipedia.org/wiki/Order_of_Flemish_militants

- Ideology: National Socialism, nationalism, regionalism (anti-francophone included)
- Political effect: counter productive
- Reason for failure: National Socialism died in WW2, flawed ideology.

3.157 PCCTS, Knights Templar stance towards other liberation organisations

Marxist and regionalist liberation organisations

PCCTS, Knights Templar have a hostile stance towards any and all Marxist organisations (the only possible exception being the rare case of national-Bolshevik organisation).

PCCTS have a neutral stance towards any organisation where the primary or secondary goal is to overthrow a Marxist/multiculturalist controlled regime.

The PCCTS, Knights Templar can never support a regionalist liberation movements in any way as it conflicts with our primary principles.

ETA - Euskadi Ta Askatasuna: ETA propagates a Marxist-Leninist view and is therefore considered a hostile entity by default. However, no measures will be taken against them until we, our Nationalist Spanish and French Justiciar Knight Commanders have re-asserted political and military control of Spain and France.

Anti-Islamist/Jihadi

Islamist/Jihadi organisations – PCCTS have a hostile stance towards any and all Islamist organisations. This also includes Muslim nationalist organisations such as those found in Turkey. We may however choose to cooperate temporary (in phase 2 or 3) with nationalist Muslim organisations or rival Muslim organisations as long as the cooperation benefits our cause.

Neutral or friendly stance towards all nationalist organisations

PCCTS have a neutral or friendly stance towards any liberation organisation seeking to overthrow their current Marxist/multiculturalist regime. This includes any Christian, Hindu and Buddhist nationalist group. As such, PCCTS have a friendly stance towards a majority of Indian nationalist organisations. The PCCTS may change the stance from neutral to friendly with any European or non-European nationalist organisation.

3.158 The state of the Indian/Hindu resistance - Indian nationalists

Saffronisation is a political neologism (after the saffron robes of the Hindu clerics), used to refer to the policy of right-wing Hindu nationalism (or Hindutva) which seeks to make the Indian state into a "Hindu nation" and its Sikh, Buddhist and Jain minorities incorporated into Hinduism. These nationalist movements are also called Sanatana Dharma movements.

A related term, the Saffron Brigade, is used as a descriptor of people and organisations in India that promote Hindu nationalism such as the Sangh Parivar by their critics, who allege a militant Hindu agenda. The Sanatana Dharma movements or Hindu nationalists in general are suffering from the same persecution by the Indian cultural Marxists as their European cousins. An example of typical Hindu nationalist ridicule:

"Ullal by-polls results are out and the Congress has retained its 'forte,' thus upsetting BJP and JD(S) calculations. [...]The message is clear - the BJP has failed to gain the confidence of minorities. "Come what may. We do not want the saffron brigade or any other party which is supporting the saffron brigade to come to power in Ullal" - is the answer given by the electorate of Ullal."

The thing is, Indian government (current government United Progressive Alliance coalition led by Indian National Congress) is a Socialist-Leftist Liberalists. The other side is National Democratic Alliance led by Bharatiya Janata Party (BJP), a political arm to the RSS: these people are of Hindu right wing nationalism comprising of Hindu parties (including Sikh, Buddhist, and Jain sub-sects), strongly supported by Jewish and Zoroastrian minorities.

The UPA (incumbent government) relies on appeasing Muslims and very sadly proselytising Christian missionaries who illegally convert low caste Hindus with lies and fear alongside Communists who want total destruction of the Hindu faith and culture.

The irony in India is that the Hindus who are living abroad (expatriate Hindus) are more concerned about Hindu culture than the ones in India, because from abroad, they can get an eagle's view of what's happening in India while Indian Hindu residents don't see it being in the scene.

The only positive thing about the Hindu right wing is that they dominate the streets. They do not tolerate the current injustice and often riot and attack Muslims when things get out of control, usually after the Muslims disrespect and degrade Hinduism too much. This behaviour is nonetheless counterproductive. Because instead of attacking the Muslims they should target the category A and B traitors in India and consolidate military cells and actively seek the overthrow of the cultural Marxist government.

India will continue to wither and die unless the Indian nationalists consolidate properly and strike to win. It is essential that the European and Indian resistance movements learn from each other and cooperate as much as possible. Our goals are more or less identical.

The PCCTS, Knights Templar support the Sanatana Dharma movements and Indian nationalists in general.

<http://en.wikipedia.org/wiki/Hindutva>
http://en.wikipedia.org/wiki/Saffron_Brigade
http://en.wikipedia.org/wiki/Sangh_Parivar

3.159 Failed coup in Turkey (2007) – Case study of the Ergenekon Network

http://en.wikipedia.org/wiki/Ergenekon_network

"The **Ergenekon network**" is the name given to a clandestine, Kemalist ultra-nationalist organisation in Turkey with ties to members of the country's military and security forces.

Its agenda has variously been described as Eurasianist, and isolationist. The defendants portray themselves as defenders of secularism, and national sovereignty. According to the indictment, the group's claim to legitimacy is that it allegedly protects national interests, which the defendants believe are incompatible with the rule of the Islamist Justice and Development Party.

Over a hundred people, including several generals, party officials, and a former secretary general of the National Security Council, have been detained or questioned since July 2008.

The first person to publicly talk about the organisation was retired naval officer Erol Mütercimler, who said in 1997:

"It is above the General Staff, the MİT (National Intelligence Organisation) and the Prime Minister. There are generals, heads of police departments, and businessmen in this organisation."

Mütercimler said he heard of the original organisation's existence from retired general Memduh Ünlütürk, who was involved in the anti-communist Ziverbey interrogations following the 1971 coup. Major general Ünlütürk told Mütercimler that Ergenekon was originally founded with the support of the CIA and the Pentagon (probably right as it was an-anti Communist network established in the beginning of the cold war).

Mütercimler and others, however, draw a distinction between the Ergenekon of today and the original one. Today's Ergenekon is said to be a "splinter" off the old one. The person whose testimony contributed most to the indictment, Tuncay Güney, described Ergenekon as a junta related to the Turkish Resistance Organisation operating in North Cyprus. Another position is that while some of the suspects may be guilty of something, there is no organisation to which they are all party, and that the only thing they have in common is opposition to the AKP. In an article for *Milliyet*, Dündar compares Ergenekon with the Susurluk network, and the Counter-Guerrilla; two other Turkish clandestine groups. Dündar also says that Ergenekon differs from the "Counter-Guerrilla" in that the former leans towards Russia, while the latter leans towards the United States. Claims of Ergenekon's Eurasian affinity are supported by the statements of the movement's chief advocate, Aleksandr Dugin, who called Ergenekon a "pro-Russian group". A noted retired intelligence agent, Mahir Kaynak, says that on the contrary Ergenekon is the antithesis of Susurluk; the former is predominantly military, while the latter was a paramilitary gang that was erected in opposition to the military.http://en.wikipedia.org/wiki/Ergenekon_network - cite_note-39

When the Russian newspaper *Kommersant* declared Dugin to be the brains behind Ergenekon, Dugin responded that he had no part in illegal activities, but that he saw no crime in sharing their vision of Turkey's future—free from the influence of NATO and the United States.

Structure

According to one of the prosecutors the organisation consists of six cells with the following personnel:

- 1. Secret and civil cells liaisons:** Veli Küçük and Muzaffer Tekin.
- 2. Lobbyists:** M. Zekeriya Öztürk, Kemal Kerişsiz, İsmail Yıldız, and Erkut Ersoy.
- 3. NGO head:** Sevgi Erenerol. Kemal Kerişsiz (assistant).
- 4. Theory, Propaganda, and Disinformation Department head:** Doğu Perinçek.
- 5. Mafia structuring head:** Veli Küçük. Muzaffer Tekin (assistant).
- 6. Underground contacts:** Ali Yasak, Sami Hoştan, Semih Tufan Gülaltay, and Sedat Peker.
- 7. Terrorist organisations heads:** Veli Küçük and Doğu Perinçek.
- 8. University structuring:** Kemal Yalçın Alemdaroğlu, Emin Gürses, Habib Ümit Sayın.
- 9. Research and information gathering head:** Mehmet Zekeriya Öztürk.
- 10. Judicial branch heads:** Kemal Kerişsiz, Fuat Turgut, and Nusret Senem.

Of those, the structure of only the "Theory" department has been revealed as of September 2008.

It is said that the top position is held for a six month term by an active army officer. By selecting active officers, the group maintains connections with the military establishment.http://en.wikipedia.org/wiki/Ergenekon_network - cite_note-51

Reason for the failure of the Ergenekon Network

It is likely to believe that the network had become too big (for clandestine activity) and the involved too bold. Cells lacked precautionary discipline when communicating. There was communication between the different cells which made it possible for individual informants to identify individuals from the 6 different cells.

News agency commentary:

An investigation into an alleged plot by secularist ultranationalists to overthrow the Turkish government has deepened with the recent arrest of senior military officers and the discovery of several weapons caches. At the same time, there is growing concern that the probe could lead to increased tension between the government and Turkey's powerful military, as well as that the investigation -- aimed at tackling long-standing anti-democratic forces in Turkish politics -- is becoming dangerously politicised.

The investigation into the coup plot, commonly known as "Ergenekon," has already resulted in the arrest of some 130 people, among them retired four-star generals and prominent politicians, journalists and academics. According to an indictment, the plotters were hoping to bring down the Islamist-rooted Justice and Development Party (AKP) by sowing enough chaos, through terror attacks and high-level assassinations, that the military would be forced to intervene.

In recent weeks, following sketches found in the homes of some of the suspects, police have uncovered two weapons caches buried on the outskirts of Ankara. Among the weapons were hand grenades, plastic explosives and ammunition.

But the case, launched in June 2007 after grenades were found in the Istanbul home of a retired military officer, is also creating new tensions between the AKP and the military, which sees itself as the ultimate guardian of Turkey's secular tradition and which has forced out of power four governments in the past.

The recent arrest of three retired generals and nine active officers led to the armed forces chief General Ilker Basbug to call on Prime Minister Recep Tayyip Erdogan for a surprise meeting. The military also recently released a statement warning Turkey's media not to "declare people and institutions guilty without trial."

Over a hundred people, including several generals, party officials, and a former secretary general of the National Security Council, have been detained or questioned since July 2008.

Two books about Coup d'états

Edward Luttwak: *Coup d'État: A Practical Handbook*
Samuel Finer: *The Man on Horseback*

Secondary sources. Terror preparation and training: Al Qaeda playbook (training manual) - <http://www.disastercenter.com/terror/index.htm> (mask ip, use secondary network or use tor network etc)

3.160 Fourth generation warfare

The following article generally describes the structure of modern resistance movements.

Fourth generation warfare (4GW) is combat characterised by a blurring of the lines between war and politics, soldier and civilian, peace and conflict, battlefield and safety. The military doctrine was first defined in 1989 by a team of American analysts, including

William S. Lind, used to describe warfare's return to a decentralised form. In terms of generational modern warfare, the fourth generation signifies the nation states' loss of their monopoly on combat forces, returning in a sense to the uncontrolled combat of pre-modern times. The simplest definition includes any war in which one of the major participants is not a state but rather a violent ideological network. While this term is similar to terrorism and asymmetric warfare, it is much narrower. Classical examples, such as the slave uprising under Spartacus or the assassination of Julius Caesar by the Roman senate, predate the modern concept of warfare and are examples of the type of combat modern warfare sought to eliminate. As such, fourth generation warfare uses classical tactics, tactics deemed unacceptable by the preceding generations, to weaken the advantaged opponent's will to win.

Elements

Fourth Generation Warfare is defined as conflicts which involve the following elements:

- Complex and long term (1960-2083)
- Terrorism
- A non-national or trans-national base (**PCCTS, Knights Templar, Justiciar Knights** - pan European)
- A direct attack on the enemy's culture (pro Christian European culture, anti-multiculturalism)
- Highly sophisticated psychological warfare, especially through manipulation of the media (media are forced to report incidents or attacks thus will indirectly market the agenda of the attackers). Had there not been any terrorist style attacks the media in general would directly undermine or ignore these organisations (with their own agenda of trying to "silencing them to death")
- All available networks are used - political, economic, social and military
- Occurs in low intensity conflict, involving actors from all networks
- Non-combatants become tactical dilemmas (will always try to keep civilian casualties at a minimum as some of these are likely to be a part of your own broader "base").

The generations of warfare:

- 1st Generation: tactics of line and column; which developed in the age of the musket.
- 2nd Generation: tactics of linear fire and movement, with reliance on indirect fire.
- 3rd Generation: tactics of infiltration to bypass and collapse the enemy's combat forces rather than seeking to close with and destroy them; and defence in depth.

The use of fourth generation warfare can be traced to the post-World War II Cold War period, as superpowers and major powers attempted to retain their grip on colonies and captured territories. Unable to withstand direct combat against bombers, tanks, and machine guns, non-state entities used tactics of secrecy, terror, and confusion to overcome the technological and resource gap.

Fourth Generation warfare has often involved an insurgent group or non-state entity trying to implement their own government or re-establish an old government over the current ruling power. However, a fourth generation war is most successful when the non-state entity does not attempt, at least in the short term, to impose its own rule, but tries simply to disorganise and de-legitimise the state in which the warfare takes place. The aim is to force the regime adversary to expend manpower and money in an attempt to

establish order, ideally in such a highhanded way that it merely increases disorder, until the state surrenders, withdraws or becomes vulnerable to a military coup.

Characteristics of 4th Generation War

Fourth Generation War is normally characterised by a "stateless" entity fighting a state or regime (the EUSSR). Fighting can be physically such as Hezbollah or the Liberation Tigers of Tamil Eelam (LTTE) to use two modern examples. In this realm the 4GW entity uses all three levels of Fourth Generation War. These are the physical (actual combat; it is considered the least important), mental (the will to fight, belief in victory, etc) and moral (the most important, this includes cultural norms, etc) levels. Fighting can also be without the physical level of war. This is via non-violent means. Examples of this could be Gandhi's opposition to the British Empire or by Martin Luther King's marches. Both desired their factions to deescalate the conflict while the state escalates against them, the objective being to target the opponent on the moral and mental levels rather than the physical level. The state is then seen as a bully and loses support.

Another characteristic of 4GW is that as with 3rd Generation War the 4GW combatant's forces are decentralised. With 4GW there may even be no one combatant and that smaller groups organise into impromptu alliances to target a bigger threat (that being the state armed forces or another faction). As a result these alliances are weak and if the state's military leadership is smart enough they can split their enemy and cause them to fight amongst themselves (f example get the cultural conservatives (pro Israel) to fight the racial conservatives (anti-Jewish)).

Fourth Generation Warfare Goals:

- Survival
- To convince the enemy's political decision makers that their goals are either unachievable or too costly for the perceived benefit (The cost of Muslim mass immigration and continued efforts to undermine Western Culture (implementation of multiculturalism) will be too costly.
- To eventually replace the regime after weakening it (this process will take decades)

Disaggregated forces, such as paramilitaries, militias, guerrillas lacking a center of gravity, deny to their enemies a focal point at which to deliver a conflict ending blow. As a result strategy becomes more problematic while combating a 4GW entity.

Regime/state methods against 4GW

There are few examples of the state being effective in a 4GW conflict. The only major example is that of the British Army in Northern Ireland after the events of Bloody Sunday. A notable theorist of 4GW, William Lind, believes that the reason for the British being successful in that conflict was that the British Army did not use heavy weapons in that period and that the British Government forces attempted to get to know the areas involved in the conflict. Also according to Lind the British did not engage in collective punishment and desired to keep civilian casualties to a minimum. In other words they won over the population by reducing the risk of damage to civilians and their property and by getting to know the local area.

Mao once wrote "the guerrilla must swim in the people as the fish swims in the sea." The public opinion is crucial.

3.161 The Study of Revolutions

Note: this article was written by a Marxist and most of the sources/material is Marxist oriented and may not be relevant to the current Western European nationalist/conservative revolution. I haven't had time to review the relevancy of these works. Many of them are just Marxist propaganda and should be ignored while other works/case studies might be useful to the pan-European Conservative Revolutionary Movement. Although we, the Justiciar Knights, are conservative revolutionaries I believe that the specific approach in where we seize power will revolve around the concept/approach of a coup d'état instead of a so called "mass popular revolutionary overthrow" where hordes of people are storming the offices of power. However, certain lessons may be learned from traditional revolutionary thinking and approaches. Knowing that so many Marxists are anti-globalists, it should be our goal to contribute to create a scenario where many "Internationalist Marxists" are indirectly ideologically pacified or even join our forces, by manipulating them into changing their mentality from "internationalist" to "National Bolshevik" thought. AB

"Revolution" is a widely-used, and widely-abused, word. At its simplest, a revolution represents a situation where society transforms the state: when large numbers of people (usually) take action together in a (sometimes) successful action to change the nature of the state or (occasionally) do away with the state altogether. In this sense, revolutions (not always successful) have been an absolutely normal feature of European history over the last two hundred years, and of world history over the last fifty years or so. Revolutions are thus to a certain degree conceptually and practically distinct from military coups, terrorism and so on, which are not covered in this course.

The vast majority of contemporary states, including Ireland, Britain, the US, France, Germany, China, India, and many more, can be said to owe their existence to revolutions of one kind or another. Recent years have seen successful revolutions (Nationalist or Marxist) in Eastern Europe, the Soviet Union, South Africa, the Philippines, and elsewhere, as well as failed attempts at revolution, most notably in China and (arguably) in Indonesia. Revolutionary movements continue to have an important effect on society and politics in many parts of the world, most obviously in Mexico, Burma and the Arab world. There is thus every reason to expect revolutions to continue to play a significant role in world affairs in the new century.

This course sets out to do two things. Firstly, it aims to look at some concrete examples of revolution, including some of the "great" revolutions which have transformed world history as well as some less well-known ones which illustrate other aspects of the revolutionary experience. Secondly, it uses this material and other examples to cover a range of questions raised by the study of revolutions: "what is a revolution?", "why do revolutions happen?", "what happens in revolutions?", "why do some revolutions succeed and others fail?", "are revolutions legitimate?", etc. The reading list includes texts related to both themes.

Aims of the course:

This course aims to enable you to:

- Know more about the variety of revolutions past and present and the different processes involved in revolutionary situations
- Understand more about the nature of revolution, its relationship to the social order, and the issues determining the outcomes of revolution
- Think concretely about revolution and counter-revolution as skilled human activities and relate your own experience to that of contemporary revolutions around the globe and past revolutions which have shaped Irish and European society

Objectives:

By the end of this course you should be able to:

- Give an account of the processes involved in at least one significant revolution
- Explain coherently what revolutions are, when they happen and what kinds of social relationships are involved
- Argue intelligently about the normative and practical issues involved in revolutions
- Draw on the general sociology of revolutions to think about your own situation and desires

Reading list

The study of revolutions is inherently political, and this is very much reflected in the available literature. At present, the subject is rather unfashionable in academia. Hence an unusually high proportion of the academic books listed in this handout either date from earlier decades when the concept of revolution was less unfamiliar to English-speaking academics, or come from conference proceedings etc. I have tried as far as possible to include the key figures that contemporary sociologists of revolution would make reference to.

The people who have done most thinking about revolutions, of course, have been revolutionaries, and this handout draws strongly on "primary sources" - the words of practicing revolutionaries. Again, you will notice a certain sociology of knowledge reflected in the list: the "classical" revolutionaries are by now of interest to academia, and so remain in print, while literature by contemporary revolutionaries is of course currently in print. For the former, you may have to search through various collections of their writings to locate copies of pieces which were originally published as pamphlets or newspaper articles, etc.

Anything between these two extremes is routinely difficult to find, since revolutionary groups rarely have the money to reprint their favourite authors in readily accessible editions. This is partly remedied by the relatively low costs of the Internet (someone still has to transcribe or scan a text, and turn it into HTML format), and I have included a certain number of Web sites. If you are interested, you will find a good range out there!

The best single textbook for this course is

- John Foran (ed.), *Theorizing revolutions* (London: Routledge, 1997). This is a collection of essays on the sociology of revolution, covering some of the most important theoretical approaches and a range of specific examples.

A good alternative is

- Willie Thompson, *The left in history. Revolution and reform in twentieth-century politics* (London: Pluto, 1997). This is a very good overview of the history of revolutionary politics in the last 100 years.

I recommend you start the course by choosing either of these, or one of the books listed below, and reading it through slowly:

- Kolya Abramsky (ed.), *Restructuring and resistance: diverse voices of struggle in western Europe* (2001) is an up-to-date collection of writings by contemporary activists in and around the "anti-globalisation movement".
- Hannah Arendt, *On revolution* (London: Penguin, 1973) is a classic discussion by this well-known political philosopher.
- Todd Gitlin, *The sixties: years of hope, days of rage*. (New York: Bantam, 1993) is a classic history of the "revolutionary moment" of the 1960s.
- Antonio Gramsci, *Selections from prison notebooks* (London: Lawrence and Wishart, 1971) is the classic English-language selection of this difficult but rewarding theorist: the leader of the Italian Communist Party, writing as a political prisoner in the face of rising fascism in Europe, and asking "Where did we go wrong?"
- Karl Marx, *The civil war in France*. (many different editions; also available online via the Marxists Internet Archive) is his classic account of the Paris Commune of 1871.
- Daniel Singer, *Whose millennium? Theirs or ours?* (New York: Monthly Review Press, 1999) is an intensely readable book by this veteran American journalist considering the issue of revolution at the start of the 21st century, with discussions of a wide range of different countries.
- Theda Skocpol, *Social revolutions in the modern world* (Cambridge: Cambridge University Press, 1994) is a recent collection of articles by the doyenne of the study of revolutions.
- Starhawk, *Webs of power: notes from the global uprising*. (Gabriola, BC: New Society, 2002; much of this material is available online at her own web pages) is a very readable collection of essays from this leading anti-globalisation campaigner.
- Mark Steel, *Reasons to be cheerful: from punk to New Labour through the eyes of a dedicated troublemaker* (London: Simon and Schuster, 2001) is a very funny personal history of activism by this well-known stand-up comedian.
- Sidney Tarrow, *Power in movement: social movements and contentious politics* (Cambridge: Cambridge UP, 1998) is a very wide-ranging discussion which places the subject of revolution firmly in relation to other kinds of social movements.
- Charles Tilly, *European revolutions 1492 - 1992* (Oxford: Blackwell, 1995) is an overview of the revolutionary history of Europe in the last half-millennium by this well-known scholar of social movements.

Other starting points for this course might include:

- the Marxists Internet Archive at <http://csf.colorado.edu/mirrors/marxists.org/admin/intro>, which has a massive collection of writing from classic and more recent authors in the Marxist tradition;
- the Struggle collection at struggle.ws includes a wide range of material from anarchist and other popular movements in Ireland and abroad;
- my own Tools for change pages at this site, particularly the section on revolutions;
- The counter-cultural On-line Infoshop with a wide range of relevant resources: <http://burn.ucsd.edu/~mai/>;
- Connolly Books, East Essex St., Temple Bar, Dublin 2 is one of the better sources in Dublin for literature on revolutions;
- Red Banner is currently the only non-aligned revolutionary magazine I know of in Ireland (2 an issue);
- The annual Alternative futures and popular protest conference in Manchester is perhaps the only regular academic conference which focuses on revolutions and related issues such as social movements and utopias. A number of photocopied papers from this conference are

available in the library, and I hope to make some at least of the collected proceedings available;

- A number of revolutionary groups of course exist in Ireland, several of which have extensive bookshops available at their conferences etc. Events organised by groups such as the Socialist Workers Party, the Socialist Party, the Workers Solidarity Movement, etc. often include discussion of issues relevant to the study of revolutions!

Lecture 1: Why study revolutions?

Traditionally, revolutions have been studied for three main kinds of reason. One is celebratory, in particular when states born out of revolution (such as Ireland) "canonise" past revolutionaries while simultaneously seeking to block off present movements for change. A second is training, when people who seek to bring about revolutionary change study the history of past revolutions for ideas to use in the present. A third is "keeping the rabble in line", when politicians and intellectuals seek to show that revolution is never workable or will only lead to dystopia. This lecture looks at images and uses of the Russian Revolution of 1917 to think about how we can tackle past revolutions.

- Marilyn Butler, *Burke, Paine, Godwin and the revolutionary controversy*. Cambridge: Cambridge UP, 1984
- James deFronzo, *Revolutions and revolutionary movements*. Boulder: Westview, 1996
- Antonio Gramsci, "The revolution against Capital". 68 -72 in *Political writings 1910 - 1920*. London: ElecBook, 1999 [other collections may also contain this]
- John Keep, *The Russian Revolution: a study in mass mobilization*. London: Weidenfeld and Nicolson, 1976
- George Orwell, *Animal farm*. Harlow: Longman, 1996
- John Reed, *10 days that shook the world*. Strand: Sutton, 1997
- Robert Service, *The Russian Revolution, 1900 - 1927*. Houndmills: Macmillan, 1999 (3rd edition)
- Theda Skocpol, *States and social revolutions: a comparative analysis of France, Russia and China*. Cambridge: Cambridge University Press, 1979
- Leon Trotsky, *History of the Russian Revolution*. New York: Anchor, 1980

Lecture 2: "It'll never happen": revolutions as ordinary history

Revolutions are commonly seen as "unreal": events which happen somewhere else, or in the distant past, and in any case don't matter here and now. This belief is obviously of massive sociological importance, because it forms part and parcel of the assumption that the way things are is basically unchangeable - and therefore serves to strengthen the forces that rule society and the groups that benefit from that rule. This lecture examines the Zapatista uprising in Mexico as an example of a contemporary "ordinary revolution" which involves strong links of solidarity with ordinary Irish people.

- Kepa Artaraz, "From liberation to revolution: the British New Left and the Cuban Revolution in the 1960s". In Colin Barker and Mike Tynes (eds.), *Sixth international conference on Alternative futures and popular protest*. Manchester: Manchester Metropolitan University, 2000
- Irish Mexico Group website at this address
- Judith Hellman, "Real and virtual Chiapas: magic realism and the left." In Leo Panitch and Colin Leys (eds.), *Socialist Register 2000*
- Justin Paulson, "Peasant struggles and international solidarity: the case of Chiapas". In Leo Panitch and Colin Leys (eds.), *Socialist Register 2001*
- Subcomandante Marcos, "7 loose pieces of the global jigsaw puzzle". Available online at <http://www.struggle.ws/mexico/ezln/1997/jigsaw.html>

- Luisa Ortiz-Perez, "Marcos and the EZLN guerrilla in Chiapas". In Colin Barker and Mike Tyldesley (eds.), *Sixth international conference on Alternative futures and popular protest*. Manchester: Manchester Metropolitan University, 2000
- Vincenzo Ruggiero, *Movements in the city*. Harlow: Pearson Education, 2001
- Willie Thompson, *The left in history*. London: Verso, 1997
- Charles Tilly, *European revolutions 1492 - 1992*. Oxford: Blackwell, 1995

Lecture 3: "It's all about violence": what is a revolution?

Revolutions involve a situation of "dual-power" within which the ruling class are no longer capable of ruling, and ordinary people are no longer willing to be ruled. Such situations are inherently unstable and prone to conflict, as each side attempts to establish the normality and legitimacy of its own vision of the world. These conflicts often involve violence, although it is not always on a large scale. This lecture takes the example of the Paris Commune of 1871.

- Hannah Arendt, *On revolution*. London: Penguin, 1973
- Michael Bakunin, *The Paris Commune and the idea of the state*. London: CIRA, 1971
- Colin Barker, "Some notes on revolution in the 20th century". *Journal of Area Studies* 13, 1998
- Antonio Gramsci, *Selections from prison notebooks*. London: Lawrence and Wishart, 1971
- Alastair Horne, *The fall of Paris: the siege and the Commune*. London: Papermac, 1997
- VI Lenin, *State and revolution*. Beijing: Foreign Languages Press, 1965 [other collections may also contain this]
- Ken MacLeod, *The star fraction*. London: Legend, 1995 (novel)
- Theda Skocpol, *Social revolutions in the modern world*. Cambridge: Cambridge University Press, 1994
- Sidney Tarrow, *Power in movement: social movements and contentious politics*. Cambridge: Cambridge UP, 1998
- Charles Tilly, *From mobilization to revolution*. London: Addison Wesley, 1978

Lecture 4: "Things just are the way they are": how are non-revolutionary situations created?

Everyday life involves a situation of "hegemony" in which ordinary people take given power relations as "normal", see their needs as being met by the existing social structures and so accept the leadership of ruling groups within society. Creating this kind of situation is by no means easy, and this "hegemony" is constantly threatened by movements from below, even when they are kept within bounds. This lecture looks at some of the processes whereby hegemony was maintained and challenged during the "English Revolution" of the 17th century.

- Carl Boggs, *The two revolutions: Gramsci and the dilemmas of western Marxism*. Boston: South End, 1984
- Megan Davies and Keith Flett, "Forgetting and remembering: memory and political action". In Colin Barker and Mike Tyldesley (eds.), *Sixth international conference on Alternative futures and popular protest*. Manchester: Manchester Metropolitan University, 2000
- Étienne de la Boétie, *The politics of obedience: the discourse of voluntary servitude*. Canada: Black Rose, 1975
- FD Dow, *Radicalism in the English Revolution, 1640 - 1660*. Oxford: Blackwell, 1985
- Allen Ginsberg, *Howl and other poems*. San Francisco: City Lights, 1959 (poem)
- Antonio Gramsci, "Some aspects of the Southern question". 595 - 625 in *Political writings 1921 - 26*. London: ElecBook, 1999. Available online at

http://www.marxists.org/archive/gramsci/works/1926/10/southern_question.htm [other collections may also contain this]

- Christopher Hill, *The world turned upside down: radical ideas during the English revolution*. Harmondsworth: Penguin, 1982
- James Holstun, *Ehud's dagger: class struggle in the English revolution*. London: Verso, 2000
- Karl Marx, *The 18th Brumaire of Louis Bonaparte*, in *The revolutions of 1848*. Harmondsworth: Penguin, 1973 [other collections may also contain this]
- Roger Simon, *Gramsci's political thought: an introduction*. London: Lawrence and Wishart, 1991
- Lawrence Stone, *The causes of the English Revolution*. London: Ark, 1986 (2nd edition)

Lecture 5: "It's always about leaders": who makes a revolution?

Revolutionaries do not make revolutions; ordinary people do. Although revolutionaries bring crucial skills to the process of popular revolutions, they cannot make them happen in the absence of large numbers of ordinary people who have decided "things can't go on like this". These are not choices that people make in isolation, however. This lecture looks at the failed European revolutions of 1919 - 1923 and asks why they failed.

- Colin Barker, "Some remarks on collective action and transformation". In Colin Barker and Mike Tyldesley (eds.), *Alternative Futures and Popular Protest III*. Manchester: Manchester University Press
- Giuseppe Fiori, *Antonio Gramsci: life of a revolutionary*. London: Verso, 1990
- Todd Gitlin, *The whole world is watching: mass media in the making and unmaking of the new left*. Berkeley: UC Press, 1980
- Nick Howard, "Shirkers in revolt - mass desertion, defeat and revolution in the German army 1917 - 1920". In Colin Barker and Paul Kennedy (eds.), *To make another world: studies in protest and collective action*. Aldershot: Avebury, 1996
- Alan Johnson, "Leadership and self-emancipation in Trotsky's History". In Colin Barker and Mike Tyldesley (eds.), *Fifth international conference on Alternative futures and popular protest*. Manchester: Manchester Metropolitan University, 1999
- Rosa Luxemburg, *Mass strike, party and trade unions*, in *Selected Political Writings*. New York: Monthly Review, 1971 [other collections may also contain this]
- David Mitchell, *1919: red mirage*. London: Jonathan Cape, 1970
- Philip Morgan, *Italian fascism, 1919-45*. Basingstoke: Macmillan, 1995
- George Rudé, *Ideology and popular protest*. London: Lawrence and Wishart, 1980
- Arthur Ryder, *The German revolution, 1918 - 1919*. London: Historical Association, 1959
- Starhawk, *The fifth sacred thing*. London: Thorsons, 1997 (novel)
- EP Thompson, *The making of the English working class*. London: Gollancz, 1963

Lecture 6: the long time-scale of revolutionaries

Revolutionaries are human beings who are dedicated to changing the way things are. They are also intensely creative agents who develop long-standing subcultures, institutions and intellectual traditions. This lecture looks at contemporary counter-cultural movements and their relationship to the long time-scale.

- Hakim Bey, *T.A.Z. the temporary autonomous zone: ontological anarchy, poetic terrorism*. Brooklyn: Autonomedia, 1991. Also available online at <http://www.t0.or.at/hakimbey/taz/taz.htm>
- Steven Brust and Emma Bull, *Freedom and necessity*. New York: Tom Doherty, 1997 (novel)
- Laurence Cox, "Power, politics and everyday life: the local rationalities of social movement milieux." 46 - 66 in Paul Bagguley and Jeff Hearn (eds.), *Transforming politics: power and resistance*. London: BSA / Macmillan, 1999. Also available online at this address

- Von Dirke, "All power to the imagination!" The west German counterculture from the student movement to the Greens. Lincoln, NE: University of Nebraska Press, 1997
- Antonio Gramsci, Prison Letters. London: Pluto, 1996
- George Katsiaficas, The subversion of politics: European autonomous movements and the decolonisation of everyday life. Atlantic Highlands, NJ: Humanities Press, 1997
- Ursula le Guin, Malafrena. London: Gollancz, 1980 (novel)
- Robert Lumley, States of emergency: cultures of revolt in Italy 1968 - 1978. London: Verso
- George McKay, Senseless acts of beauty: cultures of resistance since the Sixties. London: Verso, 1996
- Alberto Melucci, Nomads of the present. London: Hutchinson, 1989
- Ray Mungo, Famous long ago: my life and hard times with Liberation News Service, at Total Loss Farm and on the Dharma Trail. New York: Citadel, 1990
- Starhawk, Walking to Mercury. London: Thorsons, 1997 (novel)
- Mike Waite, "Flecks, frames and carriers". In Colin Barker and Mike Tyldesley (eds.), Alternative futures and popular protest III. Manchester: Manchester Metropolitan University, 1997

Lecture 7: the short time-scale of revolutions

Revolutionary situations take place over relatively short periods of time, within which ordinary people mobilise (and demobilise) themselves in huge numbers. These processes develop the divide between the "legal country" and the "real country" to the point where the one is overthrown in favour of the other. This lecture takes the case of the "classic" French Revolution of 1789 - 1793 to look at a few of the key moments involved.

- Jane Alpert, Growing up underground. New York: Citadel, 1990
- Colin Barker, "Emotions and social movements: the case of Gdansk 1980". In Colin Barker and Mike Tyldesley (eds.), Fifth international conference on Alternative futures and popular protest. Manchester: Manchester Metropolitan University, 1999
- Alfred Cobban, The social interpretation of the French Revolution. 1964
- François Furet and Mona Ozouf (eds.), A critical dictionary of the French revolution. Cambridge, MA: Harvard University Press, 1989
- M Gililand, The free. London: Attack, 1990 (novel)
- Norman Hampson, A social history of the French Revolution. London: Routledge and Kegan Paul, 1966
- Eric Hobsbawm, Echoes of the Marseillaise: two centuries look back on the French Revolution. London: Verso, 1990
- Henri Lefebvre, The explosion: Marxism and the French Revolution. New York: Monthly Review, 1969
- China Miéville, Perdido Street Station. London: Macmillan, 2000 (novel)
- George Rudé, The crowd in the French Revolution. Oxford: Clarendon, 1960

Lecture 8: "Nothing ever changes": the outcomes of revolutionary situations

Successful revolutions give rise to new political, and sometimes social, orders. Failed revolutions leave long legacies of defeat, subcultures and repression. There is therefore a lot at stake, and a constant temptation to "fudge it" and avoid confrontation. How do revolutionary situations arrive at moments of decision, and what determines their outcomes? This lecture looks at some specific aspects of the revolutions of 1989 in Eastern Europe.

- Tamas Aczel, The revolt of the mind: a case history of intellectual resistance behind the iron curtain. Westport, Connecticut: Greenwood, 1974
- Timothy Garton Ash, We the people: the revolutions of '89. London: Penguin, 1999

- Colin Barker and Colin Mooers, "Theories of revolution in the light of 1989 in Eastern Europe". *Cultural dynamics* 9.1, 1997
- Jack Bloom, "The Bydgoszcz confrontation in Poland, 1981 as an example of a crucial turning point in a social movement". In Colin Barker and Mike Tyldesley (eds.), *Fifth international conference on Alternative futures and popular protest*. Manchester: Manchester Metropolitan University, 1999
- Daniel Brook, "The Beijing Spring and beyond: modern revolution in China". In Colin Barker and Mike Tyldesley (eds.), *Alternative futures and popular protest II*. Manchester: Manchester Metropolitan University, 1996
- Gareth Dale, "The East German revolution of 1989", in Colin Barker and Paul Kennedy (eds.), *To make another world: studies in protest and collective action*. Aldershot: Avebury, 1996
- Misha Glenny, *The rebirth of history: Eastern Europe in the age of democracy*. Harmondsworth: Penguin, 1993 (2nd edition)
- Vaclav Havel, *Living in truth*. London: Faber, 1989
- Eric Hobsbawm, *Revolutionaries*. London: Abacus, 1999
- Ursula Le Guin, *The dispossessed: an ambiguous utopia*. London: Gollancz, 1974 (novel)

Lecture 9: Revolution, skills and theory

Revolutions are complicated and difficult human practices, which involve effective communication and cooperation between a wide range of different groups while simultaneously manoeuvring successfully against powerful institutions. How can revolutionaries develop the necessary skills outside of revolutionary periods? And how can ordinary people learn to become effective political agents within the short time-periods and intense pressures of revolutions? This lecture looks at the role played by theory within Marxist organisations and working-class revolutions.

- Colin Barker, "Perspectives" in *Revolutionary rehearsals* (London: Bookmarks, 1987)
- Marshall Berman, *Adventures in Marxism*. London: Verso, 1999
- Paul Blackledge, "Understanding the defeat last time". In Colin Barker and Mike Tyldesley (eds.), *Seventh international conference on Alternative futures and popular protest*. Manchester: Manchester Metropolitan University, 2001
- Carl Boggs, *The socialist tradition: from crisis to decline*. New York: Routledge, 1995
- Alex Callinicos, *The revenge of history: Marxism and the East European revolutions*. University Park, PA: Pennsylvania State UP, 1991
- Virginia Coover et al, *Resource manual for a living revolution*. Philadelphia: New Society, 1985
- Laurence Cox, "Gramsci, movements and method: the politics of activist research". *Alternative futures IV*. Available online at <http://www.iol.ie/~mazzoldi/toolsforchange/afpp/afpp4.html>
- Antonio Gramsci, *The modern prince and other writings*. New York: International Publishers, 1967 [other collections may also contain this]
- Russell Jacoby, *Dialectic of defeat: the contours of western Marxism*. Cambridge: Cambridge University Press, 1981
- Sheila Rowbotham, Lynne Segal and Hilary Wainwright, *Beyond the fragments: feminism and the making of socialism*. London: Merlin, 1980
- EP Thompson, *The poverty of theory*. London: Merlin, 1977
- Raymond Williams, *The long revolution*. Harmondsworth: Penguin, 1965
- Workers Solidarity Movement, *Capitalism won't fall by itself!* Dublin: WSM, 1998

Lecture 10: world-revolutionary situations

The global relationships brought about by capitalism over the past half-millennium have produced equally globalised "moments of resistance" - arguably we are living in one right now (see lecture 14). These involve both local processes of resistance and imagining

alternative worlds, and international processes of forging links and tackling global systems. This lecture takes the example of 1968 to examine some of the mechanisms involved.

- Giovanni Arrighi, Terence Hopkins, Immanuel Wallerstein, *Anti-systemic movements*. London: Verso, 1989
- Laurence Cox, "Structure, routine and transformation: movements from below at the end of the 20th century." In Colin Barker and Mike Tyldesley (eds.), *Fifth international conference on Alternative futures and popular protest*. Manchester: Manchester Metropolitan University, 1999
- Also available online on these pages Carole Fink, Philipp Gassert and Detlef Junker (eds.), *1968: the world transformed*. Cambridge: Cambridge UP, 1998
- Ronald Fraser, *1968: a student generation in revolt*. London: Chatto and Windus, 1988
- Annie Gottlieb, *Do you believe in magic? Bringing the Sixties back home*. New York: Simon and Schuster, 1988
- Chris Harman, *The fire last time: 1968 and after*. London: Bookmarks, 1998 (2nd edition)
- George Katsiaficas, *The imagination of the New Left: a global analysis of 1968*. Boston: South End, 1987
- Peter Linebaugh, *The many-headed hydra: sailors, slaves, commoners and the hidden history of the revolutionary Atlantic*. Boston: Beacon, 2000
- Karl Marx and Friedrich Engels, *The communist manifesto*. Harmondsworth: Penguin, 1967 [other collections may also contain this]
- George Rudé, *Revolutionary Europe, 1783 - 1815*. Malden: Blackwell, 2000

Lecture 11: the world we live in is created by revolutions, for good and bad

Revolutions are a normal and fundamental part of contemporary European history. More than this, most European states draw their claim to existence from revolutionary moments. This lecture examines this with particular reference to the European Resistance movements of the mid-1940s and the use made of them by subsequent states.

- Ron Eyerman and Andrew Jamison, *Social movements: a cognitive approach*. Cambridge: Polity, 1991
- Michael Foot, *Resistance*. London: Eyre Methuen, 1976
- Steven Hawes (ed.), *Resistance in Europe, 1939 - 1945*. (1976)
- HR Kedward, *Occupied France: collaboration and resistance* (1985)
- György Lukács, *History and class consciousness*. London: Merlin, 1971
- Rosa Luxemburg, "Social reform or revolution?" in *Selected Political Writings*. New York: Monthly Review, 1971 [other collections may also contain this]
- Barrington Moore, *Social origins of dictatorship and democracy: lord and peasant in the making of the modern world*. Harmondsworth: Penguin, 1967
- George Orwell, *Homage to Catalonia*. London: Penguin, 1971
- Kim Robinson, *Red Mars*. London: HarperCollins, 1993 (novel)
- EP Thompson, *Beyond the cold war*. London: END, 1982
- Hilary Wainwright, *Arguments for a new left*. London: Verso, 1994

Lecture 12: "Down with capitalism": is the anti-globalisation movement revolutionary?

Something that looks very like a revolutionary situation is going on at the moment around the world, as the most powerful institutions in the world resort to violence or abandon their meetings in the face of mass protests against their rule. How can we

assess the importance of this movement, and what is its meaning for social change in Ireland?

- Peter Alexander, "Globalisation, inequality and labour's response". In Colin Barker and Mike Tyldesley (eds.), *Seventh international conference on Alternative futures and popular protest*. Manchester: Manchester Metropolitan University, 2001
- Emma Bircham and John Charlton (eds.), *Anti-capitalism: a guide to the movement*. London: Bookmarks, 2001
- Eugene Byrne, *ThiGMOO*. London: Earthlight, 1999
- John Charlton, "Talking Seattle". *International Socialism* 86 (April 2000). Can be downloaded from this site
- Laurence Cox, "Globalisation from below? Ordinary people, movements and intellectuals". Paper to 2nd William Thompson Summer School (Cork, 2001). Available online at <http://www.iol.ie/~mazzoldi/toolsforchange/rev/firkin.html>
- Barbara Epstein, *Political protest and cultural revolution: non-violent direct action in the 1970s and 1980s*. Berkeley: University of California Press, 1991
- Naomi Klein, *No logo: taking aim at the brand bullies*. London: Flamingo, 2000
- Amory Starr, *Naming the enemy: anti-corporate movements confront globalisation*. London: Zed, 2000
- David Wood, "Resisting globalisation". In Colin Barker and Mike Tyldesley (eds.), *Fifth international conference on Alternative futures and popular protest*. Manchester: Manchester Metropolitan University, 1999
- Workers' Solidarity Movement, *Fighting global capitalism*. Dublin: WSM, 2001. Can be downloaded and printed from <http://www.struggle.ws/wsm/pdf/pamphlet/globalcap.html>

3.162 A short introduction to agriculture and surface mining – creating the cover

A short introduction to small scale farming

The following short introduction is presented in order to prepare the Justiciar Knight for the fertiliser acquisition phase of his operation. Justiciar Knights will establish a cover and must therefore learn the very minimum about agricultural practices. You must learn enough about agriculture in order to pass any scrutiny checks the fertiliser clerk may present in the form of questions. You must learn to think, dress and act like a farmer and become confident through study of agricultural practises and your agricultural cover. Before you move forward with the acquisition phase you must determine several factors when establishing the cover.

You should rent a small isolated farm which has indoor/shed storage capabilities. It is optimal to place your "acquirement/storage base" in a rural area in a neighbouring country if possible, as fewer red flags will be raised by the store clerks towards foreign nationals as they will assume you will bring the goods to your country immediately. Just keep in mind; not all nitrogen based fertilisers are suitable as a component to a WMD – fertiliser bomb.

"What type of crop will you grow, how large is your field, how much nitrogen based fertiliser do you need per hectare?"

You want to choose a fertiliser intensive crop for your cover which, in regards to a climatic context, can grow in your country. A property with 10 hectare (100 000 square metres), planting the crop; sugar beets, will have a fertiliser requirement of 1060-1360 kilograms during a one rotation (100-130 days).

Common crops vs. fertiliser intensity

The overview is American so it does not necessarily reflect European crops

Crop	Euro per planted hectare	Percent of operating costs
Maize/corn	168	84
Sugar beets	158	40
Rice	148	43
Peanuts	131	38
Cotton	94	27
Barley	72	72
Wheat	67	78
Grain	62	50
sorghum		
Oats	57	74

Soyabeans	35	37
Potatoes	N/A	N/A

Source: USDA, Economic Research Service

Top agricultural products

Top agricultural products, by crop types (million metric tons) 2004 data

Cereals	2 263
Vegetables	866
Roots and Tubers	715
Milk	619
Fruit	503
Meat	259
Oilcrops	133
Fish (2001 est)	130
Eggs	63
Pulses	60
Vegetable Fiber	30

Top agricultural products by individual crops (million metric tons) 2004 data

Sugar Cane	1 324
Maize/corn	721
Wheat	627
Rice	605
Potatoes	328
Sugar Beet	249
Soybean	204
Oil Palm Fruit	162
Barley	154
Tomato	120

Source: Food and Agriculture Organization

Different fertilisers

There are three types of different fertiliser nutrients which prices fluctuate considerably; nitrogen-, phosphate- and potash-fertiliser. Obviously, you will want certain nitrogen fertilisers. The prices of nitrogen fertilisers depend on the gas market so considering the fact that gas prices are crashing at the moment (2010) due to new technologies being introduced in the acquisition of natural gas from below ground, prices on nitrogen based fertilisers are plummeting.

Fertiliser prices

Year	Nitrogen Euro/10 kg of nutrient	Phosphate Euro/10 kg of nutrient	Potash Euro/10 kg of nutrient
1978	0,75	0,75	0,38
1990	0,75	0,94	0,56
2002	0,75	0,94	0,64
2005	1,3	1,3	0,75
2008	2,07	3,38	1,69

1000kg of nitrogen fertiliser costs approximately 620 Euros when buying in bulk.

Price is the average for April of each year when buying in bulk. Nitrogen prices are average prices of nitrogen nutrient in anhydrous ammonia, nitrogen solution, and urea. Phosphate prices are the P₂O₅ prices of superphosphate. Potash prices are the K₂O prices of muriate of potash.

Source: USDA, Economic Research Service

Sugar Beet – essential facts

Sugar beet is a plant whose root contains a high concentration of sucrose. It is grown commercially for sugar production. The European Union, the United States, and Russia are the world's three largest sugar beet producers, although only the European Union and Ukraine are significant exporters of sugar from beets. Beet sugar accounts for 30% of the world's sugar production.

Culture

Sugar beet is a hardy biennial plant that can be grown commercially in a wide variety of temperate climates. During its first growing season, it produces a large (1–2 kg) storage root whose dry mass is 15–20% sucrose by weight. If the plant is not harvested at this time, then during its second growing season, nutrients in the root will be used to produce flowers and seeds and the root will decrease in size. In commercial beet production, the root is harvested after the first growing season.

In most temperate climates, beets are planted in the spring and harvested in the autumn. **At the northern end of its range, growing seasons as short as 100 days can produce commercially viable sugar beet crops.** In warmer climates, such as in California's Imperial Valley, sugar beets are a winter crop, planted in the autumn and harvested in the spring.

Sugar beet is one of the most chemical-intensive crops and is a challenging crop to produce. Sugar beets are highly sensitive to pests, diseases, and weeds from the time of planting through harvest.

Beets are planted from a small seed; 1 kg of beet seed comprises 100,000 seeds and will plant over a hectare (10 000 square metres) of ground.

Today, mechanical sowing, herbicide application for weed control and mechanical harvesting have removed the reliance on numerous workers.

Harvesting is now entirely mechanical. A roto beater uses a series of blades to chop the leaf and crown (which is high in non-sugar impurities) from the root. The beet harvester lifts the root, and removes excess soil from the root in a single pass over the field. A modern harvester is typically able to cover six rows at the same time. The beets are dumped into trucks as the harvester rolls down the field and delivered to the factory. The conveyor then removes more soil.

If the beets are to be left for later delivery, they are formed into clamps. Straw bales are used to shield the beets from the weather. Provided the clamp is well built with the right amount of ventilation, the beets do not significantly deteriorate. Beets that freeze and then defrost produce complex carbohydrates that cause severe production problems in the factory. In the UK, loads may be hand examined at the factory gate before being accepted.

Crop rotation

Sugar beet is an important part of a rotating crop cycle. Crop rotation is the practice of growing a series of dissimilar types of crops in the same area in sequential seasons for various benefits such as to avoid the build up of pathogens and pests that often occurs when one species is continuously cropped. Crop rotation also seeks to balance the fertility demands of various crops to avoid excessive depletion of soil nutrients. A traditional component of crop rotation is the replenishment of nitrogen through the use of green manure in sequence with cereals and other crops. It is one component of polyculture. Crop rotation can also improve soil structure and fertility by alternating deep-rooted and shallow-rooted plants.

Method and purpose – crop rotation

Crop rotation avoids a decrease in soil fertility, as growing the same crop repeatedly in the same place eventually depletes the soil of various nutrients. A crop that leaches the soil of one kind of nutrient is followed during the next growing season by a dissimilar crop that returns that nutrient to the soil or draws a different ratio of nutrients, for example, rice followed by cotton. By crop rotation farmers can keep their fields under continuous production, without the need to let them lie fallow, and reducing the need for artificial fertilisers, both of which can be expensive. Rotating crops adds nutrients to the soil, and dirt. Legumes, plants of the family Fabaceae, for instance, have nodules on their roots which contain nitrogen-fixing bacteria. It therefore makes good sense agriculturally to alternate them with cereals (family Poaceae) and other plants that require nitrates. A common modern crop rotation is alternating soybeans and maize (corn). In subsistence farming, it also makes good nutritional sense to grow beans and grain at the same time in different fields.

Crop rotation is a type of cultural control that is also used to control pests and diseases that can become established in the soil over time. The changing of crops in a sequence tends to decrease the population level of pests. Plants within the same taxonomic family tend to have similar pests and pathogens. By regularly changing the planting location, the pest cycles can be broken or limited. For example, root-knot nematode is a serious problem for some plants in warm climates and sandy soils, where it slowly builds up to high levels in the soil, and can severely damage plant productivity by cutting off circulation from the plant roots. Growing a crop that is not a host for root-knot nematode for one season greatly reduces the level of the nematode in the soil, thus making it possible to grow a susceptible crop the following season without needing soil fumigation.

It is also difficult to control weeds similar to the crop which may contaminate the final produce. For instance, ergot in weed grasses is difficult to separate from harvested grain. A different crop allows the weeds to be eliminated, breaking the ergot cycle.

This principle is of particular use in organic farming, where pest control may be achieved without synthetic pesticides.

A general effect of crop rotation is that there is a geographic mixing of crops, which can slow the spread of pests and diseases during the growing season. The different crops can also reduce the effects of adverse weather for the individual farmer and, by requiring planting and harvest at different times, allow more land to be farmed with the same amount of machinery and labour.

The choice and sequence of rotation crops depends on the nature of the soil, the climate, and precipitation which together determine the type of plants that may be cultivated. Other important aspects of farming such as crop marketing and economic variables must also be considered when choosing a crop rotation.

Processing - reception

After they are harvested, beets are hauled to a factory. In the U.K., beets are transported by a hauler, or by a tractor and a trailer by local farmers. Railways and boats are no longer used.

Each load is weighed and sampled before it gets tipped onto the reception area, typically a "flat pad" of concrete, where it is moved into large heaps. The beet sample is checked for:

- soil tare - the amount of non beet delivered
- crown tare - the amount of low sugar beet delivered
- sugar content ("pol") - amount of sucrose in the crop
- nitrogen content - for recommending future fertilizer use to the farmer

From these elements, the actual sugar content of the load is calculated and the grower's payment determined.

The beet is moved from the heaps into a central channel or gully, where it is washed towards the processing plant.

<http://en.wikipedia.org/wiki/Sugarbeet>

Top ten sugar beet producers – 2005 (million metric tons)

France	29
Germany	25
United States	25
Russia	22
Ukraine	16
Turkey	14
Italy	12
Poland	11
United Kingdom	8
Spain	7
World Total	242

Agricultural measurement terminology:

1 hectare is 10 000 square metres

1 hectare equals 2,47 acres, making a hectare almost 2,5 times larger than an acre

Inputs and management practices of sugar beet production, by cost group, 2000

Item	Low-cost farm	Mid-cost farm	High-cost farm
Irrigation (% of beet hectares)	26	44	49
Previous crop (% of farms)			
Wheat	57	26	26
Corn	11	21	32
Soyabeans	0	*	*
Other crops	18	26	27
Seed (kg/hectare)	1,63	1,88	1,80
Fertiliser use (% of farms)			
Nitrogen	95	98	97
Phosphorus	88	92	90
Potassium	49	57	54
Fertiliser application rate (kg/hectare)			
Nitrogen	109	116,8	136
Phosphorus	66,2	74,1	79,8
Potassium	29,1	52,9	46
Chemical use (% of farms)			
Herbicides	99	98	100
Insecticides	96	89	88
Tillage system (% of farms)			
Conventional with mouldboard plow	34	49	62
Conventional with mouldboard plow	42	31	25
Reduced tillage	11	7	5
Mulch tillage	12	11	7
Soil surface covered (%)	10	9	5
Custom operations (% of farms)			
Cultivation/planting	*	6	6
Fertiliser application	78	69	73
Chemical application	56	46	45
Harvest/hauling	24	33	34
Fuel use (litres/hectare)			
Diesel	117,3	178	234,7
Gasoline	41,6	98,4	151,4
Electricity (kilowatt hours)	134,1	1080	1641

Labour use (hours/hectare)			
Unpaid labour	8,2	12,8	14,8
Paid labour	6,7	11,4	20,5
Precision technology (% of farms)			
GPS	26	23	23
Remote sensing	36	19	15
VRT fertiliser	8	7	7
Fertiliser management practices			
Soil nitrogen test	75	73	72
Soil phosphate test	79	81	76
Plant tissue test	10	18	20
Nitrogen applications			
Less than recommended	17	23	20
More than recommended	37	48	50
Equal to recommended	46	29	29
Basis for nitrogen decision			
Routine practice	51	43	57
Soil/tissue test	62	64	61
Crop consultant	19	30	24
Fertiliser dealer	16	24	28
Extension services	5	7	*
Nitrogen/crop prices	*	6	10
Factory recommendation	17	22	22
Pest management practices			
Scouting weeds	99	98	98
Scouting insects	91	95	91
Scouting diseases	97	96	92
Scouting records	38	34	31
Pre-emergence herbicides			
Routine practice	29	37	36
Field mapping	*	6	6
Dealer recommendation	*	7	11
Consultant recommendation	6	*	5
Post-emergence herbicides			
Routine practice	62	64	62
Field mapping	57	63	64
Dealer recommendation	19	29	30
Consultant recommendation	32	22	27
Reasons for insecticide applications			
Preventive schedule	50	48	48
Scouting data	13	13	14
History of problem	31	30	37
Local information	10	9	10
Operator determination of infestation	96	89	88

Land use on sugar beet farms, 2000

Item	All ARMS farms
ARMS share (%)	
Sugar beet farms	100
Sugar beet acres	100
Sugar beet production	100
Size (hectare)	
Operated	561
Cropland	513
Harvested	478
Land tenure (% of operated hectare)	
Owned	38
Cash-rent	53
Share-rent	11
Crops (% of harvested hectare)	
Sugar beet	20
Wheat	26
Soyabeans	19
Corn	15
Barley/oats	2
Dry edible beans	7
Potatoes	2
Hay	2
Others	5

Source: 2000 USDA Agricultural Resource Management Survey

Average characteristics of sugar beet farms, 2000

Note: numbers will vary considerably for European farms as many countries discourage similar professionalism and merging of farms compared to the Americans. There are considerably smaller and less profitable farms in EU countries as far as I know.

Item	All ARMS farms (Euro)
Farm finances (euro/farm)	
Farm production value	399 524
Sugar beet production value	153 127
Net farm income	63 829
Assets	1 302 772
Debt	327 300
Farm equity	975 471
Debt-to-asset ratio (percent)	25
Income solvency group (% of farms)	
Favourable (percent of farms)	55

Marginal income	17
Marginal solvency	20
Vulnerable	9
Co-op share (% of farms)	54
Operator occupation (%)	
Farming as major occupation	94
Operator age (%)	
Less than 50 years	61
50-64 years	33
65 years or older	6
Operator education (%)	
High school or less	38
Some college	39
Completed college	23

Sugar beet production costs and returns, 2000 (Euro)

Item	All ARMS farms
Gross return	Euro per planted hectare
Sugar beets total gross return	1514
Operating costs	
Seed	82
Fertiliser	87
Chemicals	176
Custom operations	67
Fuel, lube, and electricity	95
Repairs	77
Purchased irrigation water	10,6
Freight and dirt hauling	26,4
Miscellaneous	30,2
Hauling allowance (-)	14,3
Interest on operating capital	19,6
Hired labour	110
Total operating costs	767
Return over total operating costs	747
Ownership and other costs	
Capital recovery (machinery & equipment)	265
Taxes and insurance	29,5
General farm overhead	64
Opportunity cost of land	236
Opportunity cost of unpaid labour	155
Opportunity cost of coop share	41,5
Total (economic) costs	1558

Return over total (economic) costs	-44,5
	Tons per planted hectare
Yield	55,3
Cost of production	Euro per ton
Total operating costs	13,87
Total operating and ownership costs	19,2
Total (economic) costs	28,17
Season-average price	25,89

* = 0.1 to less than 5 percent.

Source: 2000 USDA Agricultural Resource Management Survey
<http://www.ers.usda.gov/publications/sb974-8/sb974-8.pdf>

Distribution of sugar beet farms by farm typology group, 2000

Small <250 000 USD (low sales) 13%
Small <250 000 USD (high sales) 27%

Small family farms, those with annual sales of \$250,000 and under, accounted for 40 percent of all sugar beet farms but contributed only 16 percent of the total sugar beet production.

Large >250 000: 31%
Very Large >250 000: large: 22%

Large family farms (annual sales more than \$250,000) accounted for 53 percent of all sugar beet farms and just over three-fourths of the sugar beet production.

Others 7%

Enterprise size is an acreage measure which in this report is one of five categories: farms with fewer than 50 sugar beet acres, 50-149 sugar beet acres, 150-249 sugar beet acres, 250-499 sugar beet acres, and 500 or more sugar beet acres.

Sugar Beet Farming – How “Sweet” is it?

Few of us know that more than half of US sugar production comes from sugar beets. (Most of the rest comes from sugarcane.) US sugar beet production has grown significantly over the past decade, tied primarily to expanded processing capacity among sugar beet factories. US farmers produced 33 million tons of sugar beets on 640 000 hectares in 2000, versus 28 million tons of sugar beets on 566 000 hectares in 1990. Most sugar beets were processed in 26 factories near production areas to minimize transportation costs and deterioration of sugar content.

US sugar beets are generally grown in areas with cooler climates; however, some sugar beets are grown in warmer climates like the Imperial Valley of California.

US sugar beet producers incurred operating costs (inputs, hired labour, etc.) averaging 13,87 Euro per ton of sugar beets in 2000; and total costs (including depreciation in farm machinery, value of land and operator labour) averaged 28,17 Euro per ton. But costs vary widely among farmers due to differences in yields, input use, irrigation, farm size, and location.

At the 2000 average market price of 25,83 Euro per ton of sugar beets, 88 percent of US sugar beet producers were able to cover their operating costs and 35 percent were able to cover their total (economic) costs. In 2000, producers had the opportunity to participate in the payment-in-kind (PIK) diversion program to destroy sugar beets on a specified number of hectares in return for a like amount of government-owned sugar. With the 2000 diversion program providing nearly three-quarters of producers an average of 82 Euro worth of sugar per planted hectare, 89 percent of producers were able to cover their operating costs and 43 percent were able to cover their total (economic) costs of sugar beet production.

Other factors you should be aware of

It is illegal for farmers to distribute fertilisers in their fields after a certain date in some countries. For example in Norway, it is illegal to distribute fertilisers after October 1st.

A farmer needs at least one week without (heavy) rain before he is able to use distribute the fertiliser, so occasionally; he will have to ask the government for a dispensation from the regulation if it has rained constantly for a long period prior to the deadline. If he distributes the fertiliser during heavy rainfall, the result will be that the fertiliser is washed away with the water to the nearby rivers.

Prices of natural gas, which is used to produce ammonia - the main input in all nitrogen fertilisers, is the primary factor in the pricing of nitrogen based fertiliser. Between June 2007 and June 2008, natural gas prices increased more than 65 percent. As a result, the cost to produce nitrogen fertiliser increased. However, the price dropped sharply in 2009 and continue to drop in 2010.

In 2007, 58 million tons of fertilisers were shipped to US agricultural producers by ocean freight, railroads, trucks, barges, and pipelines.

Common terms used in Agriculture and in the countryside

Acre: An acre is the US unit of measure and is a square approximately 209 feet per side (=4840 sq. yds.). The amount one man and two oxen could plough in a day. It is gradually being replaced by the metric unit the Hectare.

Adjuvant: A substance other than water, when mixed in the spray mixture is intended to enhance the effectiveness of a pesticide.

Agribusiness: A progression from farming that combines agriculture and business. Large areas of land and large numbers of animals may be involved but with less interest in the environment and animal welfare than traditional family farms.

Agronomist: Qualified person who inspects crops and advises growers on agronomy, varieties, herbicides etc.

Air (Seed) Drill: A seed drill where air supplied by a fan is used as the medium to transport the seed from the metering unit to the coulters.

Ammonium nitrate: One of the main sources of artificial nitrogen fertiliser. Generally it is supplied as a prill and contains around one third of its weight as 'nitrogen'.

Anthrax: A serious, sometimes fatal disease of animals and humans caused by a soil borne bacteria.

Aphids: Small insects that feed by sucking the sap from plants. They are the carriers of many viruses that affect a range of plants and crops.

Auger: Long tubular pieces of equipment to move grain. Augers have a spiral screw inside an outer tube which pushes the grain from the lower end to the top end. They are usually powered by electric motors and vary in diameter from 75mm up to 300mm

Bale: A compacted and bound bundle of straw, hay silage etc. May be square or round varying in size from 30 kg to 100kg.

Baler: Implement which picks up swaths of straw or hay and compresses it into a compact rectangular or cylindrical bale.

When the desired size is reached it is automatically secured with twine or net wrapping.

Bar: SI measure of pressure composed of 1000 millibar. Equal to around 14.2 lbs/sq.inch.

Barley: A cereal crop still popular in the UK although the acreage has reduced recently. It is identified by its 'awns' which are covered in tiny barbs and cling to clothing. Barley is used as animal feed or by the brewing industry.

Batch drier: A machine which dries grains by passing air (possibly heated by gas or oil) through a 'batch' and when dry will empty and refill itself with the next batch.

Bean: Field beans are normally grown as a high protein animal feed but some are for human consumption. They are generally allowed to ripen and dry which permits them to be harvested by combine.

Big Bags: Large generally polypropylene bags used for grain feed or fertiliser. Normally 500kg but some fertiliser is now in 600kg bags. Stockfeed may be supplied in 1000kg bags.

Bindweed: A common weed with a conspicuous white flower which can have severe effects on crop yields if unchecked. It is generally seen growing through hedges and on roadsides.

Bio-diesel: Automotive fuel manufactured primarily from oil seed rape (Canola) blended with diesel to reduce build up of atmospheric CO₂.

Canola: In agriculture, canola is the name given to certain varieties rapeseed (particularly in US & Canada) plants or the oil produced from those varieties.

Capping: Soils cap when a fine seedbed is sown and firmed but heavy rainfall follows. This causes the soil surface to form a hard layer when it dries out which in turn can prevent the emergence of shoots from the sown seeds.

Caryopsis: The term used to describe the simple fruit produced by grasses, including cereals.

Catch-crop: This is a quick growing crop, opportunistically grown for livestock feed etc. If for example winter barley was combined in July a fodder crop could be quickly sown and eaten during the winter allowing a spring crop to be drilled normally.

Chain: A measure of length equal to 22 yards, or 20.1 metres.

Clamp: A large area with walls possibly of timber but normally concrete which is used to store Silage. The clamp is filled with chopped grass from a forage harvester and compacted by tractor or handler and then sealed by means of a polythene membrane. Most moderns clamps are roofed.

Cleavers: (Galium aparine) A scrambling weed with 'sticky' hairy seeds and leaves. A problem weed which can smother crops and is generally seen in hedgerows.

CO₂: Carbon dioxide. A gas linked to global warming emitted primarily by fossil fuels. Growing crops absorb CO₂ and produce oxygen.

Combine: Combine (Harvester) Normally a self propelled machine which cuts, thrashes and separates grain from straw which it leaves either swathed or chopped.

Compaction: When soil is compressed naturally or otherwise to the extent that water cannot drain away or plant roots penetrate. Sub soiling is carried out to alleviate this.

Compound: Compound (Fertiliser) is one which contains more than one nutrient (nitrogen potash phosphorus sulphur) as opposed to a 'straight'.

Coppice: Cutting a broad leaved tree to a stump to encourage many fresh straight shoots which can be used for walking sticks, hurdles etc.

Couch Grass: (Elymus repens) Very common in crops and grassland, couch reproduces by rhizomes as well as seed making it a constant problem.

Coulter: That part of a seed drill which actually works in the soil to place and cover the seed. They may be of the disc type or shoe type.

Crawler: Commonly used to describe a track laying tractor. Traditionally tracks were steel but modern tractors have rubber tracks.

Croft: A small (<50 acres) subsistence farm found in the highlands of Scotland. Most crofters have secondary jobs as a living cannot generally be made today.

Cultivation: Normally shallow tillage operations to improve, drainage, water conservation, aeration, or to control weeds.

Dessicate: To dry out. In a cropping sense, dessication usually means to apply a total herbicide to speed up the ripening and drying process.

Direct Drilling: Placing seed into soil which has not been cultivated by using a heavier than normal seed drill which is able to penetrate in hard/dry conditions. Also known as No-till drilling.

Ditch: A water channel dug to assist drainage or the mark a boundary. In this part of the world most are bordered by a hedge.

Draft: The effort required to pull an implement through the soil. Also the control on a modern tractor which keeps this load constant by raising or lowering the implement.

Drain: In the field sense a drain is a clay or plastic porous pipe buried at around 1 metre deep and covered with approximately 300mm gravel to collect and remove water from farmland.

Drill (seed) : An implement used to place an exact amount of seed at a desired depth. This can be from 3kg/ha for canola to 250kg/ha for wheat.

Dykeback: A local term used to denote the area round the outside of a field which never gets full sun or wind because of the hedge or wall (dyke).

Erosion: A natural process whereby rocks, soil and other deposits are worn away by the action of water, ice, or wind.

Fallow: Land left without a crop for one or more years. A very basic way to improve the soil fertility.

Family Farm: The 'traditional' idea of farming where a relatively small farm is owned and managed over several generations by one family. Normally two or more generations are working simultaneously. Most are very efficient and environmentally benign.

Fertiliser: Generally accepted as 'artificial' nutrients supplied to the soil to replace soil reserves taken off in crops. The major nutrients are Nitrogen, Phosphorus and Potassium.

Field Capacity: The point at which soil becomes saturated and cannot hold more rainfall. If drainage is good, this should rarely occur but if it is poor, runoff and erosion may occur.

Forage: Leafy crops that are (intentionally) grazed by livestock.

Forage Harvester: A machine powered by a tractor or self propelled which lifts a swath of wilted grass and chops it finely before delivering it to a following trailer. It is ensiled in a clamp

Fungicide: A chemical (natural or synthetic) used to control or destroy fungi in growing crop. If left untreated diseases like mildew (Powdery) can have a devastating effect on crops.

Fusarium: A disease which infects the plants at a very early age and may kill seedlings, or at the ripening stage where ear development is affected and grain quality reduced.

Glyphosate: A total translocated herbicide. Commonly used in cleaning stubbles or grassland destruction. Roundup is the best known trade name.

GM: Genetically Modified - plants which have their structure modified by introducing genes from another species of plant or animal. None are grown commercially in the UK, yet.

Grainstore: Purpose built structure designed to store grain in without risk of damage due to moisture, fungi, vermin etc. Temperature and humidity may be monitored and controlled.

Growth Stage: A decimal system to describe the progress of a plant through the season. GS 0 is a dry seed, GS 50 is flowering, GS 90 is ripening.

Harrow: A shallow working trailed implement used to break down clods. Disc harrows may be used for primary cultivation whereas tined harrows are used pre or post sowing.

Harvest: Gathering a crop from the field when it is ripe.

Headland: The area of a field adjacent to a fence or hedge where machinery turns. This is normally cultivated last to avoid compaction in the soil.

Hectare: Measurement of area consisting of 10,000 sq. metres. Equal to roughly 2.47 acres.

Herbicide: A substance used to control weeds. May be selective or total. Glyphosate (Roundup) is a total herbicide, Cheetah S (Fenoxaprop-P-ethyl) will kill only wild oats in cereals and some other crops.

Humus: The final stage in the decomposition of soil organic matter. It is essential in maintaining soil structure.

IACS: (Integrated Administrative Control System) The method used to control the amount of crops grown on farms by the EU. Financial penalties apply to those who do not follow the rules to the letter. It has been superseded by an even more complex and bureaucratic system (2005) called the SFP (Single Farm Payment).

Indian Summer: A period of unusually mild dry weather occurring in Autumn.

Insecticide: A pesticide used to control unwanted insects either in a growing crop or in grain stores and mills.

Irrigation: Supplying the water needs of growing crops by gravity or pumped systems in areas where natural precipitation is insufficient.

Kilogram: SI unit of weight. 1,000 kg = 1 ton. 1kg = 2.2 lb.(Pound)

Leaching: The loss of nutrients, pesticides, lime, or other elements of the soil by the action of water as it percolates through the soil profile.

LERAP: (Local Environmental Risk Assessment Plan) A set of regulations which control use of certain pesticides adjacent to watercourses. Records must be kept when a 'Lerap' applies to any operation.

Ley: Field sown with grass for one or more years. Short term leys usually yield heavier crops than longer leys due to the grass varieties used. They may be noted as a three year ley, 5 year ley etc.

Lifters: Attachments for the header of a combine which assist in combining a lodged crop by easing it off the ground.

Lime: Generally ground limestone which is used to neutralize soil acidity. Essential for crop growth and application rates average 5000kg/ha.

Linkage (three point) : The lift system universally used on tractors to attach and lift machinery such as ploughs, cultivators, drills etc. consisting of two lower powered lift arms and a fixed top central link.

Lodging: The term used to describe a crop which is falling over due to bad weather, (wind/rain) disease, or an inherent varietal weakness. Severe lodging makes harvesting extremely difficult due to moisture being trapped in the closely packed stems and lack of airflow.

MAFF: Ministry of Agriculture Fisheries and Food Monolithic government department that changed its name to DEFRA after the Foot & Mouth fiasco.

Malting: The process of taking barley, steeping it in water, germinating it and then drying it. The dried product is malt and has many uses in food manufacturing and alcohol production.

Manure: A mixture of bedding straw and animal dung which is lifted out of sheds and stored in heaps (middens) for a period to decompose before being spread on the land. Provides a useful amount of organic matter and some nutrients.

Marker: A device fitted to many soil working implements to allow the tractor driver to return down the field at an exact distance from the previous bout by following a groove in the soil made with a disc or tine. The mark may be followed by the wheel or the centre of the tractor.

Meadow Grass: An annual grass which is a pernicious weed in cereal crops.

Metering (Seed) : A seed metering unit on a seed drill controls the flow of seed in relation to ground speed so that exactly the correct weight/area is sown.

Mildew (Powdery) : A common disease of most plants but of significance in cereals. White fluffy pustules appear on leaf or stem if rubbed off a brown stain is revealed. May spread to the ear if unchecked.

MinTill: Minimum Tillage. A term used for practically all primary cultivation where the plough is not used. Depths may vary from 150mm to only 50mm and may use tines, discs and presses.

Monoculture: Planting the same crop in the same field year after year with no crop rotation.

Mouldboard: That part of a plough which actually turns the soil after the share has cut the furrow bottom.

Nematicide: A pesticide used to control unwanted nematodes (eelworms), generally in root crops such as potatoes.

Net Blotch: Primarily of barley, this disease appears as small brown lesions which develop to produce a network of brown lines.

Nitrogen: Generic term used by farmers for fertilisers supplying nitrogen to plants (e.g. Ammonium nitrate)

Nitrogen fixation: The conversion of atmospheric nitrogen to plant compounds by microorganisms in soil and root nodules. (e.g. in legumes such as clover or peas)

Node: The point on a plant stem where a leaf or leaves are attached. A new stem leaf or even root may grow from this point.

Non Inversion Tillage: Similar to MinTill where crop residues are mixed with the top layer of soil instead of being buried by ploughing.

Oat: It is thought that oats are native to Britain and can be grown on sites of low fertility. Used as horse fodder and of course for Scottish porridge and oat cakes.

Oilseed rape: The name used in the UK for Canola. primarily grown to produce oil for foodstuffs. GM and hybrid varieties produce specialist oils used in pharmaceuticals and industry.

Organic: Low output farming using rotations, clover, and very few artificial fertilisers, pesticides and antibiotics.

Organophosphates: A class of insecticide that was originally synthesized during World War II as a nerve warfare agent. Compulsory sheep dipping in the UK exposed many people sensitive to these compounds. Examples of OPs include chlorpyrifos and sarin.

Pathogen: Any micro-organism that causes a disease in plants or animals.

Pesticide: Generic term for any Plant Protection Product which may be subdivided into herbicides, fungicides and insecticides.

PH: The acidity index of the soil. Various crops perform better at optimum ph so certain crops may be suited to particular fields or areas. PH may be raised (more alkaline) by the application of ground limestone.

Phosphorus: An elemental nutrient required for crops. Normally applied as a phosphate.

Plough: A device which has changed little over the centuries used to turn the top layer of soil over and bury trash ready for the next crop.

Pollen: Fine particles containing the fertilizing element of plants (male) formed by the anthers of plants. Most allergies are caused by grass and tree pollens.

Potassium: An essential elemental nutrient required for crop growth, normally supplied as inorganic 'K'.

Pound: Measure of weight consisting of 16 ounces. There were 2240 pounds in a ton.

Power harrow: A shallow working secondary cultivator with rotating tines which stir up and break the soil down to a seedbed. Regularly have seed drills fitted to carry out two operations with one pass.

PreEm: Pre Emergence - generally refers to herbicides which are applied to the soil before but more commonly after sowing but before the plant begins to appear above the soil surface. Also known as residual herbicides.

Propane: A liquefied petroleum gas (C₃H₈) containing more heat value than natural gas that is used for grain drying.

PTO: Power Take Off. A splined shaft at the front or rear of a tractor used to supply power to attachments such as mowers or power harrows. Standard speeds are 540 & 1000 rpm.

Raddle: A sticky coloured paste applied to a ram's belly at breeding time to enable served ewes to be marked. Sometime refers to a harness carrying a wax block which serves the same purpose.

Rhynchosporium: A particular problem on barley large oval lesions with brown margins spread all over the surface of a leaf if uncontrolled.

Rigg and Furrow: Undulations in pasture especially on clay soils due to land being consistently ploughed in the same manner to give 5 or 7 yard 'riggs'. This assisted drainage but made travel with modern machinery more difficult.

Roller: Implement used to firm down seedbeds to give better soil/seed contact to improve germination. Also used to push down stones in cereals and grass to prevent damage to harvesting machinery.

Rotation: Changing crops in a field on an annual basis to maximise yield and minimise disease, soil damage etc.

Runoff: A general term applying to water which for many reasons remains on the surface of land and flows to the lowest point possibly causing erosion or leaching in the process.

Rust: A fungal disease of many plant species but a problem on cereals and beans. It removes green leaf area and drains the plant of strength reducing yield and quality.

Rye: Now a minority crop, rye will grow on poor 'hungry' soils. Resembling barley with awns but with a much taller straw it is still favoured in Eastern Europe.

Seedbed: Land which has been cultivated sufficiently to provide a fine enough particle size and is firm enough to allow seeds to germinate quickly and evenly.

Septoria: The main disease of wheat in the UK. Septoria tritici can have devastating effects on wheat by removing green leaf area. It appears as grey/green striped lesions which expand and develop to eventually turn the whole leaf brown.

Set-aside: Land that is compulsorily removed from production for one or more years. Compensation is given towards the value of crop that could have been grown.

SFP: Single Farm Payment. The EU scheme ostensibly designed to simplify the subsidy of food production but soon became complex and bureaucratic.

Share (Plough) : That part of the plough which operates horizontally and cuts the furrow bottom.

Shuttle: A device on a tractor or handler which allows direction to be reversed at the flick of a lever with no requirement to use the clutch.

Side Knife: When combining crops such as canola where the foliage is dense and tangled, a vertical sideknife is used on the combine header to cut through the stems and prevent the header becoming entangled in the crop.

Sidlings: When working a field with multiple slopes, it may be necessary to traverse across the hill. The tractor and implement tend to slide down this slope or crab across the hill, these bouts are sidlings.

Silage: Silage is grass which is mown wilted chopped and ensiled in a clamp where anaerobic fermentation takes place. Thus most of the nutrients are maintained in the silage.

Silo: A tower, generally cylindrical made of steel or concrete used to store grain or silage in an airtight atmosphere. It is filled from the top and emptied at the bottom.

Slag: A by-product of the iron industry, slag consists of mainly silica and lime with many trace elements. This may be used to improve the fertility of grassland.

Slurry: Animal dung mixed with water and urine which can be handled as a semi-liquid.

Spear (Grain) : A tubular, pointed instrument about 2 metres long which has apertures that may be opened once it has been pushed into a pile of grain allowing a representative sample to be taken.

Sprayer: A term used for an implement used for applying pesticides or liquid fertiliser to crops. Generally nozzles convert liquid under pressure to droplets

Spreader: (Manure) spreader is an implement resembling a trailer which has powered rotors to chop and spread manure evenly.

Stone: Measure of weight equal to 14 lbs. 8 stone equalled one hundredweight.

Stook: A group of 6 or 8 sheaves of corn which were stacked on end in pairs to allow the grain and straw to dry.

Straight: Straight (fertiliser) is one which contains only one nutrient e.g. nitrogen or potash as opposed to a compound which contains more than one.

Straw: That part of the crop that is left after thrashing the grain. It may be baled for use as stock bedding or low grade feed or chopped and incorporated to help improve soil structure.

Strobilurin: A recent development in fungicides using chemicals extracted from another fungus. They have a suppressive effect on other fungi but also assist the plant in remaining green.

Stubble: The remains of the plant stem left behind after harvesting a crop.

Subsoil: That layer of soil normally below cultivation depth but which has a great effect on the performance of the topsoil. Subsoiling is an operation where a deep cultivator runs through the subsoil at a depth of around 450 mm when the soil is dry to shatter it.

Sugar Beet: A variety of beet (*Beta vulgaris*) which is specifically grown because of its high sugar content which can be processed to produce quality sugars.

Sulphur: A non metallic, trace element which is essential in plant growth. Atmospheric deposition has been adequate to replenish soil reserves until recently when fossil fuel emissions have been 'cleaned up'. Sulphur (sulfur) must now be applied to crops in fertilisers.

Swath: A row of grass or straw which is laid ready for baling or similar operation.

Telescopic: Telescopic handlers are a development of the traditional forklift. They have a boom which can be raised or lowered within which is another section which can be extended to give greater height or reach. Most can have a variety of attachments fitted such as grain buckets manure forks bale grabs or pallet forks.

Thrashing Mill: Before combines most grain was separated from straw by means of permanently sited mills in farm buildings. The next step before combines were large mobile mills. The principles of thrashing and separation has changed little over the years.

Tillering: The stage a plant goes through when side shoots are developing which each may carry its own flower and ear. Each such shoot is a tiller.

Tilth: The quality of a seedbed. The finer the tilth the better protected the seeds are and the better the soil/seed contact for moisture transfer.

Tine: A rigid or sprung leg of a cultivator which carries a wearing 'point'.

Ton: A (metric) ton consists of 1000 kilograms. An imperial ton equals 1016 kg.

Top Dress: Applying fertiliser to the surface of soil (normally in a growing crop) so that rain will wash the nutrients into the soil.

Tramline: A method to mark a field by halting seed flow during drilling to leave blank strips in the crop which subsequent tractor journeys may be made. Essential for the accurate application of pesticides and fertiliser.

Weed: 'A plant growing in the wrong place.' End users have demanded fewer weed seeds in grain etc. over the years requiring fields to become weed free. Field margins however maintain the diversity necessary to support various 'weeds'.

Wheat: The major cereal crop grown in the UK. Wheat falls into two categories, hard, generally suitable for milling (flour) and soft, usually used for distilling animal feed and biscuit making.

Wild Oat: (Avena Fatua) A grass weed which has incredible survival traits. It can be a major problem in cereal crops where it reduces yield and grain quality.

Windrow: Similar to a swath. The crop is laid in rows to be dried by the wind and sun.

Yellow Rust: A disease of cereals which is generally controlled when treatments for other diseases are made. Yellow pustules appear on the leaf and develop between the veins to give a striped effect.

A short introduction to small scale surface mining

Before initiating the high grade explosive acquisition phase you should research small, medium and large mining companies in your country. Start with the companies listed on your national stock exchange and gain access to their prospectus or annual financial data. This is available on the company's site.

Consider creating a prospectus of your own altering an existing prospectus (PDF file) using a software such as Foxit PDF Editor which allows you to make changes and fill in your own details.

You may want to create a "mining cover" which involves the creation of a credible story – which will be your unofficial mining "project/business". This cover may serve as a deciding factor for the acquirement of high grade explosives from suppliers on the black market in your own country or from abroad. This cover may also prove to be crucial should you ever be compromised and persecuted by the system protectors of your country as it will contribute to create a reasonable doubt.

Consider buying some new or second hand equipment relating to prospecting to strengthen your cover story:

<http://www.goldrushtradingpost.com/>

or you can acquire some of the same equipment (used) on Ebay

Further studies

<http://en.wikipedia.org/wiki/Mining>

<http://en.wikipedia.org/wiki/Prospecting>

http://en.wikipedia.org/wiki/Mineral_exploration

http://en.wikipedia.org/wiki/Surface_mining

<http://www.mining-technology.com/contractors/>

Glossary of Terms

Allah: "God"; Arabic Christians also worship "Allah," but an Allah of a very different sort.

Allahu Akhbar: "God is Great (-est)"; term of praise; war cry of Muslims.

Al-Taqiyya: religious/political deceit (sanctioned by Islam)

AH: "after Hijra"; the Islamic calendar's system of dating; employs lunar rather than solar years; as of January 2007, we are in AH 1428.

Ansar: "aiders" or "helpers"; Arabian tribesmen allied with Muhammad and the early Muslims.

Badr: first significant battle fought by Muhammad and the Muslims against the Quraish tribe of Mecca.

Caliph: title of the ruler or leader of the Ummah (global Muslim community); the head of the former Islamic Empire; the title was abolished by Kemal Attaturk in 1924 following the break-up of the Ottoman Empire and the founding of modern Turkey.

Compendium: book/intellectual work - a concise, yet comprehensive compilation of a body of knowledge.

Consolidate: meaning "unify", consolidation meaning unification

Cultural Marxist/Multiculturalist Alliance: the alliance of European political, cultural and media elites (cultural Marxists/multiculturalists) who support the implementation of multiculturalism/cultural Marxism/cultural relativism.

Cultural Marxism/multiculturalism: term describing the current Western European/US political/moral systems based on "political correctness" – a mix of Marxism, extreme egalitarianism, suicidal humanism, anti-nationalism, anti-Europeanism and capitalist globalism. The ML ideology or political platform (Maoist-Leninism) ML which is also a European hate ideology, was later refined "toned down" and disguised and incorporated into politically correct movements such as; feminism, pro-drugs, pro-sexual revolution, anti-racism, anti-fascism, anti-Christendom, anti-capitalism, gay and disability rights movements, environmentalism etc. (see chapters explaining the Frankfurt School). The current ideology is in fact a "communism light" or a deceptive form of communism which was created and propagated as soon as the Marxist-Leninists' understood that the Europeans globally (Western Europe, US, Canada, Australia) would not follow the example of their Russian comrades (in early 20th century). Feminism (including Sexual Revolution), egalitarianism, humanism are highly compatible and/or similar overlapping political concepts/ideologies. The purpose of cultural Marxism is to destroy or deconstruct Western Civilisation (where the Christian European patriarchy has dominated historically) and instead create the USASSR/EUSSR, a communist utopia based on Marxist-Leninist principles. In order to achieve this they must destroy traditional European social cohesion in society which is the basis for traditional European nation states. They are therefore focused on the gradual deconstruction of European cultures, identities and the traditional structures (nuclear family, traditional morality and patriarchal structures) which has dominated humanity for the last 300 000 years. They understood early that political indoctrination would not be enough. They must destroy the very fabric of Europeanism so they (together with humanists and capitalist globalists) pushed for mass-third world immigration. However, they made one critical mistake. They underestimated Islam which proved to be simply too resilient to be assimilated/pacified/feminised, even for them.

Communism is often used when describing a complete ideology (economical principles included) while "cultural Marxism" does not describe economical principles.

Dar al-Islam: "House (Realm) of Islam"; Islamic territory ruled by Sharia law

Dar al-harb: "House (Realm) of War": territory ruled by infidels

Dar al-sulh: "House (Realm) of Truce": territory ruled by infidels but allied with Islam; territory ruled by Muslims but not under Sharia law

Dawah – invitation to Islam through a dialogical process. Can be categorised in some cases as the Islamic equivalent of a missionary

Dhimma: the pact of protection extended to non-slave "People of the Book", usually Jews, Christians, and Zoroastrians, which permitted them to remain nominally free under Muslim rule.

Dhimmi: Christians or Jews living in a Muslim controlled area, who has to pay a Jizya tax to be "protected", limited rights, not allowed to build churches or to repair churches etc. A Christian man has the same worth as a Muslim woman (who is worth 50% of that of a Muslim man), a Christian women is only worth 25% of a Muslim man

Dhimmitude: the status of Christians and Jews with limited rights living in a society dominated or controlled by Muslims, the Christians and Jews are treated like second class citizens, dhimmis are protected from physical abuse as long as they pay an extra Jizya tax

Eurabia: the merging of Europe and the Middle East.

Eurabia project (or **EUs Eurabia project**): EUs deliberate strategy to merge Europe with the Middle East.

Hadith: "report"; any of thousands of episodes from the life of Muhammad transmitted orally until written down in the eighth century AD; sahih (reliable or sound) hadiths are second only to the Quran in authority.

Hijra: "emigration"; Muhammad's flight from Mecca to Medina (Yathrib) in AD 622. Also referred to as Islamic emigration for the sake of Allah (demographic warfare). Hijra (demographic warfare) is an Islamic concept of war and it is being applied in the ongoing takeover of Europe.

Hudna: truce

Islam: "submission" or "surrender."

Jizya: the poll or head tax prescribed by Sura 9:29 of the Quran to be paid by Christians and Jews in Muslim-held territory.

Kaba: "cube"; the Meccan temple in which numerous pagan idols were housed before Muhammad's conquest of Mecca in AD 632, which is still the most venerated object in Islam; the Kaba's cornerstone, which is believed to have fallen from heaven, is the stone on which Abraham was to sacrifice his son, Ishmael (not Isaac).

MA100: (abbreviation for Multiculturalist Alliance 100) – refers to the political parties in Western Europe (approximately 100) who support multiculturalism.

Matriarch: from the word matri meaning mother.

Mecca: holiest city of Islam; place of Muhammad's birth in AD 570; its Great Mosque contains the Kaba stone; early period in Muhammad's life where more peaceful verses of the Quran were revealed; site of Muhammad's victory over the Quraish in AD 630.

Medina: "city," short for "city of the Prophet"; second holiest city of Islam; destination of Muhammad's Hijra (emigration) in AD 622; later period in Muhammad's life where more

violent verses of the Quran were revealed; site of third major battle fought by Muhammad against the Quraish tribe from Mecca; formerly called Yathrib.

Muhammad: "the praised one."

Multiculturalism: see cultural Marxism

Muslim: one who submits.

MSM: mainstream media

Patriarch: from the word patri meaning father

PCCTS: abbreviation for Pauperes commilitones Christi Templique Solomonici (Latin) or Poor Fellow-Soldiers of Christ and of the Temple of Solomon (English), commonly known as the Knights Templar or the Order of the Temple (French: Ordre du Temple or Templiers). Certain sources indicate that the word Hierosalemitanis (meaning Jerusalem) is added at the end. However, in the majority of occurrences of this phrase, the word "Jerusalem" isn't mentioned. In certain occurrences Solomonici is written Salominici.

Pragmatical: logical

Quran (Kuran, Koran, etc.): "recitation"; according to Islam, the compiled verbatim words of Allah as dictated by Muhammad.

Quranic abrogation: An Islamic legal practice where Medina verses (violent verses) cancel the Mecca verses (peaceful verses).

Razzia: "raid"; acts of piracy on land or sea by Muslims against infidels

Sira: "life"; abbreviation of Sirat Rasul Allah, or "Life of the Prophet of God"; the canonical biography of the Prophet Muhammad written in the eighth century by Ibn Ishaq and later edited by Ibn Hisham; modern translation by Alfred Guillaume.

STD: sexually transmitted disease

Sunnah: the "Way" of the Prophet Muhammad; includes his teachings, traditions, and example.

Sura: a chapter of the Quran; Quranic passages are cited as Sura number:verse number, e.g., 9:5.

Uhud: second major battle fought by Muhammad against the Quraish tribe of Mecca.

Umar: second "rightly-guided" Caliph; ruled AD 634--44, succeeded Abu Bakr; conquered the Holy Land.

Ummah (umma): the global Muslim community; the body of Muslim faithful. One of the Bali bombers who was condemned to death was quoted as saying "these attacks are my gift to the Ummah" (his contribution to the global Islamic community and to Jihad).

Uthman: third "rightly-guided" Caliph; ruled AD 644--56, succeeded Umar; compiled the Quran in book form.

Yathrib: city to which Muhammad made the Hijra (emigration) in AD 622/AH 1; renamed Medina.













